



Living Costs and Food Survey

Volume G: Derived Variable Flowcharts

January – December 2014

Great Britain and Northern Ireland

ONS Social Surveys

Office for National Statistics

December 2015

Contents

Section	Page
Section One: Glossary	3
Section Two: Flowcharts – Person Level	5
Section Three: Flowcharts – Household Level	311
Section Four: Flowcharts – Loan transactions	670
Section Five: Flowcharts – Hire Purchase transactions	672
Section Six: Product codes – Person level	674
Section Seven: Product codes – Household level	689

Please note as this user guide is still under development the derivations of some variables may not be included and some derivations may be out of date, consult the Volume H user guide for details of variable changes. Please contact the LCF team on lcf_enquiries@ons.gov.uk, for queries on specific variables and any feedback regarding this user guide.

Section One:

Glossary

Glossary

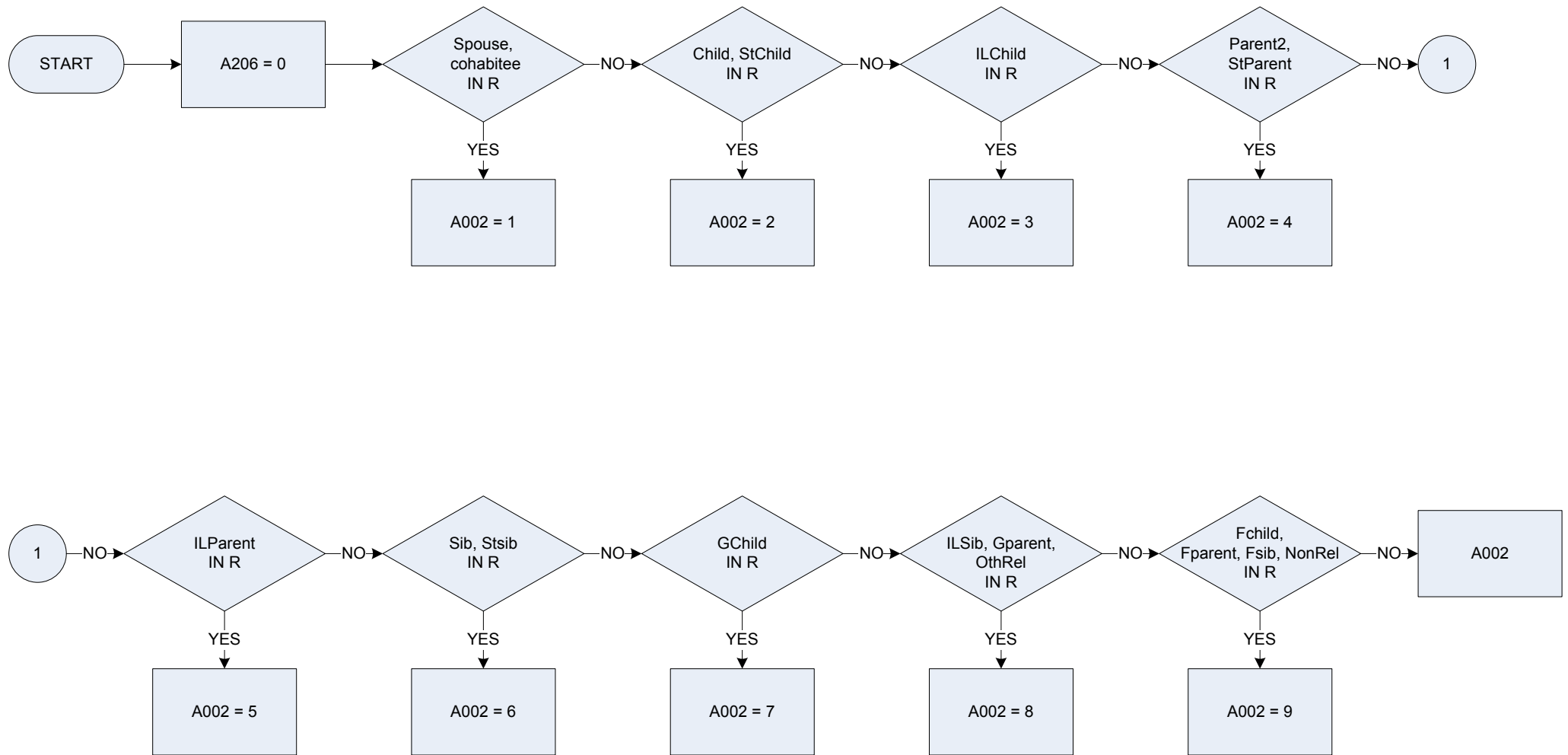
Variable names

'A...'	Variables beginning with 'A' are classification variables
'B...'	Variables beginning with 'B' are variables that relate to expenditure amounts
'C...'	Variables beginning with 'C' are Expenditure Codes; these represent the amount spent on a certain type of item
'Dv...'	Variables beginning with 'Dv' are derived variables from the questionnaire, most often used to convert an amount to a weekly average
'P...'	Variables beginning with 'P' are Product Codes; these aggregate different expenditure codes together
'X...'	Variables beginning with 'X' are temporary variables used in calculations. Each temporary variable and its use is explained individually throughout the flowcharts
'...h'	Variables ending in 'h' are at household level
'...p'	Variables ending in 'p' are anonymised; certain variables are anonymised if they could lead to the disclosure of the identity of the household
'...u'	Variables ending in 'u' are the unanonymised

Section Two:

Flowcharts - Person level

A002 – Relationship to Household Reference Person



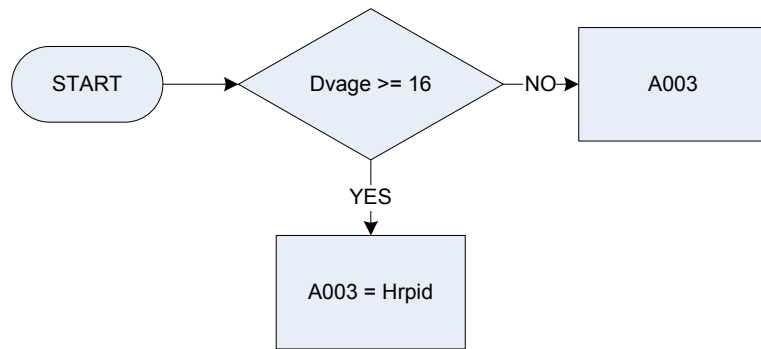
KEY**A002** Relationship to Household Reference Person (HRP)

0	<i>HRP</i>
1	<i>Spouse cohabitee civil partner</i>
2	<i>Son or daughter</i>
3	<i>Son-in-law daughter-in-law</i>
4	<i>Father or mother or guardian</i>
5	<i>Father-in-law mther-in-law</i>
6	<i>Brother or sister</i>
7	<i>Grandson grndaughter</i>
8	<i>Other relative</i>
9	<i>Non-relative</i>

R Relationship between HRP and each individual in the household

Spouse	<i>Spouse</i>
Cohabitee	<i>Cohabiting partner</i>
Child	<i>Son/daughter (incl. adopted)</i>
StChild	<i>Step-son/daughter</i>
FChild	<i>Foster child</i>
ILChild	<i>Son-in-law/daughter-in-law</i>
Parent2	<i>Parent / Guardian</i>
StParent	<i>Step-parent</i>
FParent	<i>Foster parent</i>
ILParent	<i>Parent-in-law</i>
Sib	<i>Brother/sister (including adopted)</i>
StSib	<i>Step-brother/sister</i>
FSib	<i>Foster brother/sister</i>
ILSib	<i>Brother/sister-in-law</i>
GChild	<i>Grand-child</i>
GParent	<i>Grand-parent</i>
OthRel	<i>Other relative</i>
NonRel	<i>Other non-relative</i>

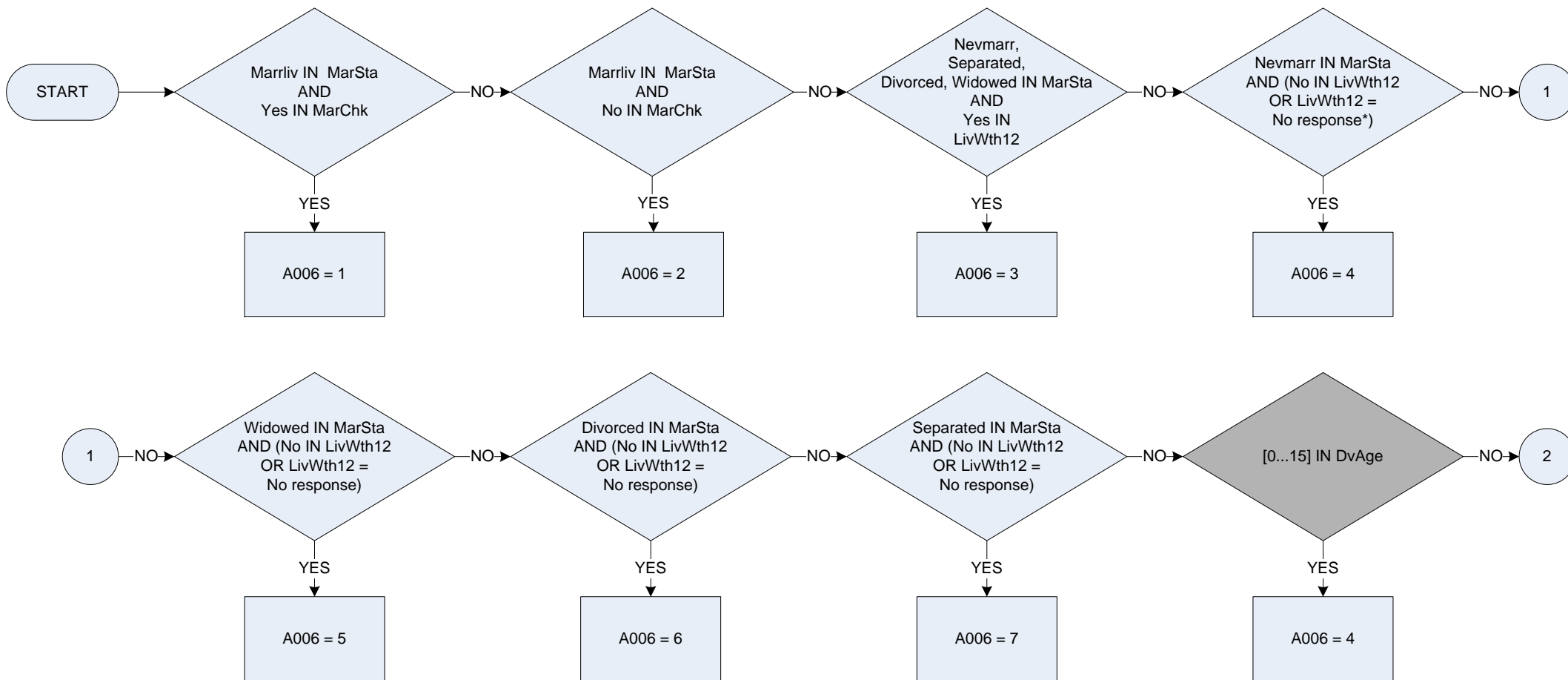
A003- Household Reference Person



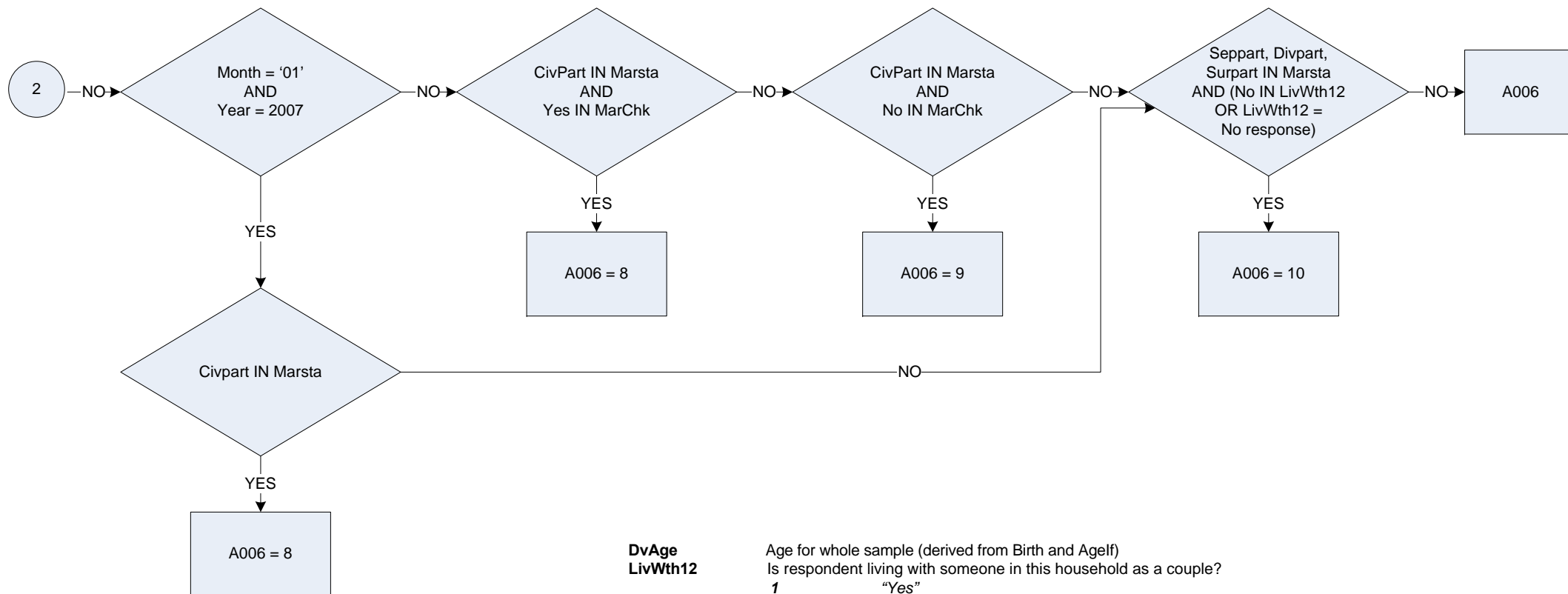
KEY

A003	Household Reference Person (HRP)
1	HRP
2	Not HRP
DvAge	Derived from Birth and Agelf - Age for whole sample
HrpId	Household Reference Person (HRP) - Is the accommodation owned/rented in the person's name?
1	"Yes"
2	"No"

A006 - Marital status



A006 - Marital status



KEY

* 'No response' indicates that the respondent was not routed to the question or the respondent did not answer

A006	Marital Status
1	"Spouse in household"
2	"Spouse not in household"
3	"Cohabitee"
4	"Single"
5	"Widowed"
6	"Divorced"
7	"Separated"
8	"Civil Partner in HH"
9	"Civil Partner not in HH"
10	"Former Civil Partner"

DvAge
LivWth12

Age for whole sample (derived from Birth and Agelf)
Is respondent living with someone in this household as a couple?
1 "Yes"
2 "No"

MarChk

Is spouse/partner member of household?
1 "Yes"
2 "No"

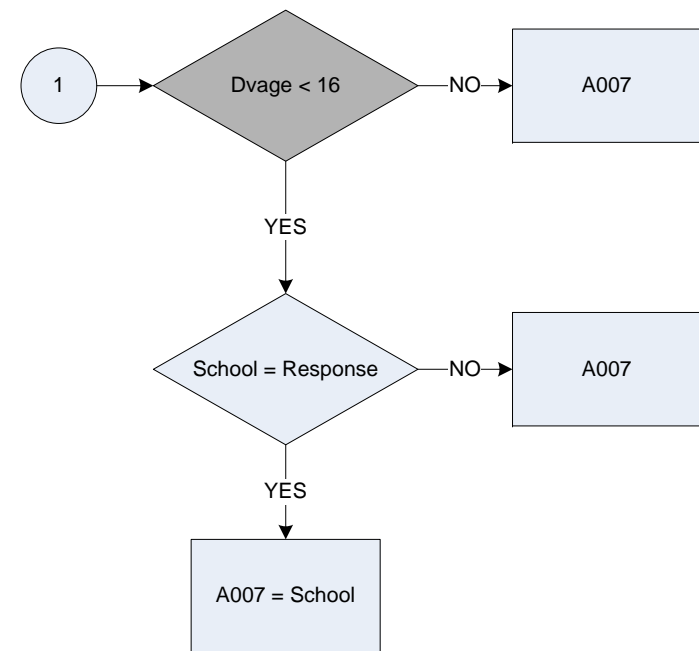
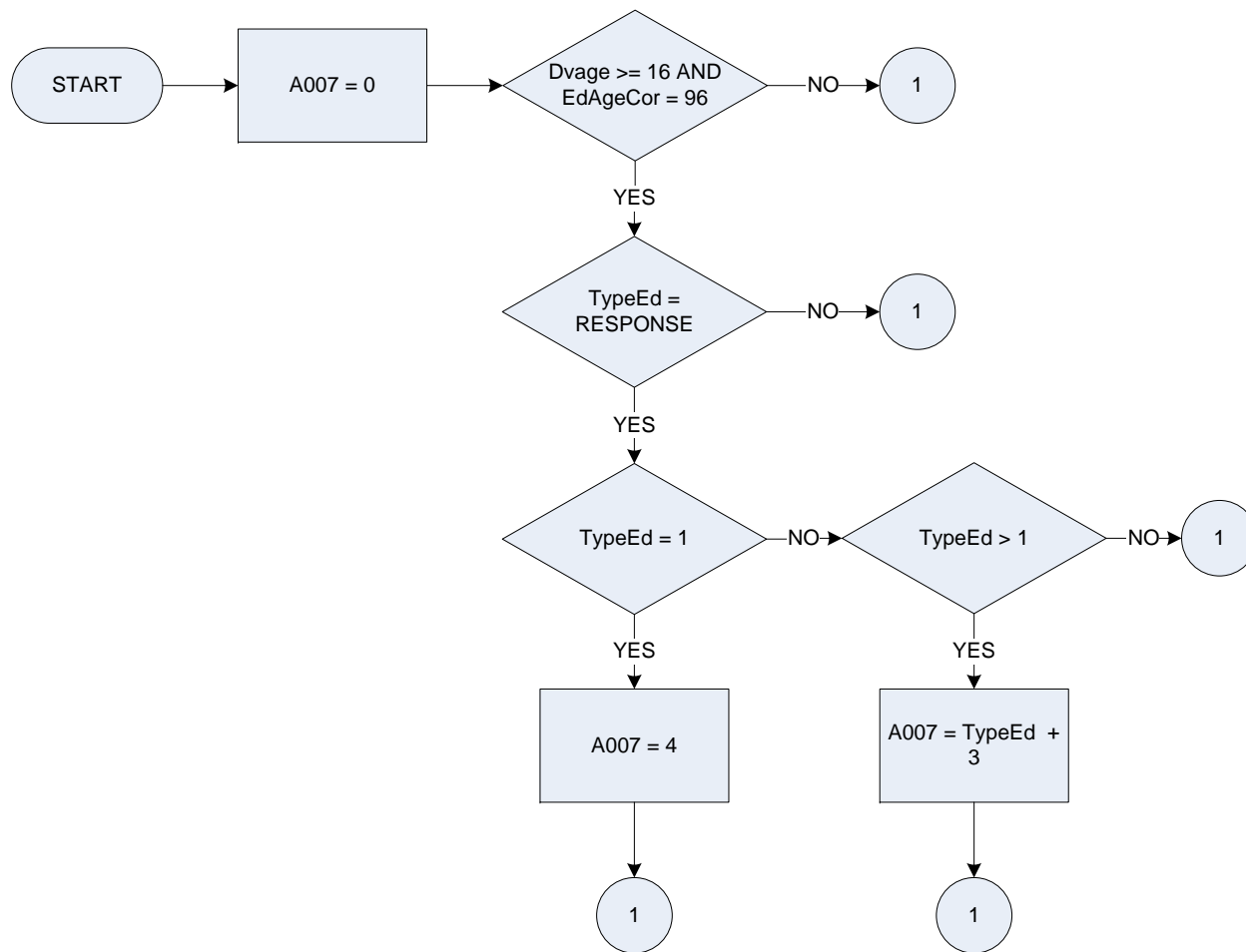
MarSta

What is the legal marital status of the respondent?
NevMarr "Single, that is never married"
MarrLiv "Married and living with your husband/wife"
CivPart "A civil partner in a legally-recognised Civil Partnership"
Separated "Married and separated from your husband/wife"
Divorced "Divorced"
Widowed "Widowed"
SepPart Spontaneous only – "In a legally-recognised Civil Partnership and separated his/her civil partner"
DivPart Spontaneous only – "Formerly a civil partner, the Civil Partnership now legally dissolved"
SurPart Spontaneous only – "A surviving civil partner: his/her partner having since died"

Month
Year

Sample month
Sample year

A007- Current full-time education



KEY A007

Current full time education	
0	Not recorded
1	Not yet at school
2	State nursery school
3	State primary school
4	State special school
5	State secondary school
6	Non-advanced further education
7	Private; independent
8	University etc.
9	Home Schooling

Dvage

Derived from Birth and AgeI to give a weekly amount
- Age for whole sample

EdAgeCor

Age when respondent left full time education (coded as 96 if respondent is still in full time education)

TypeEd

What type of school or college does the respondent attend?

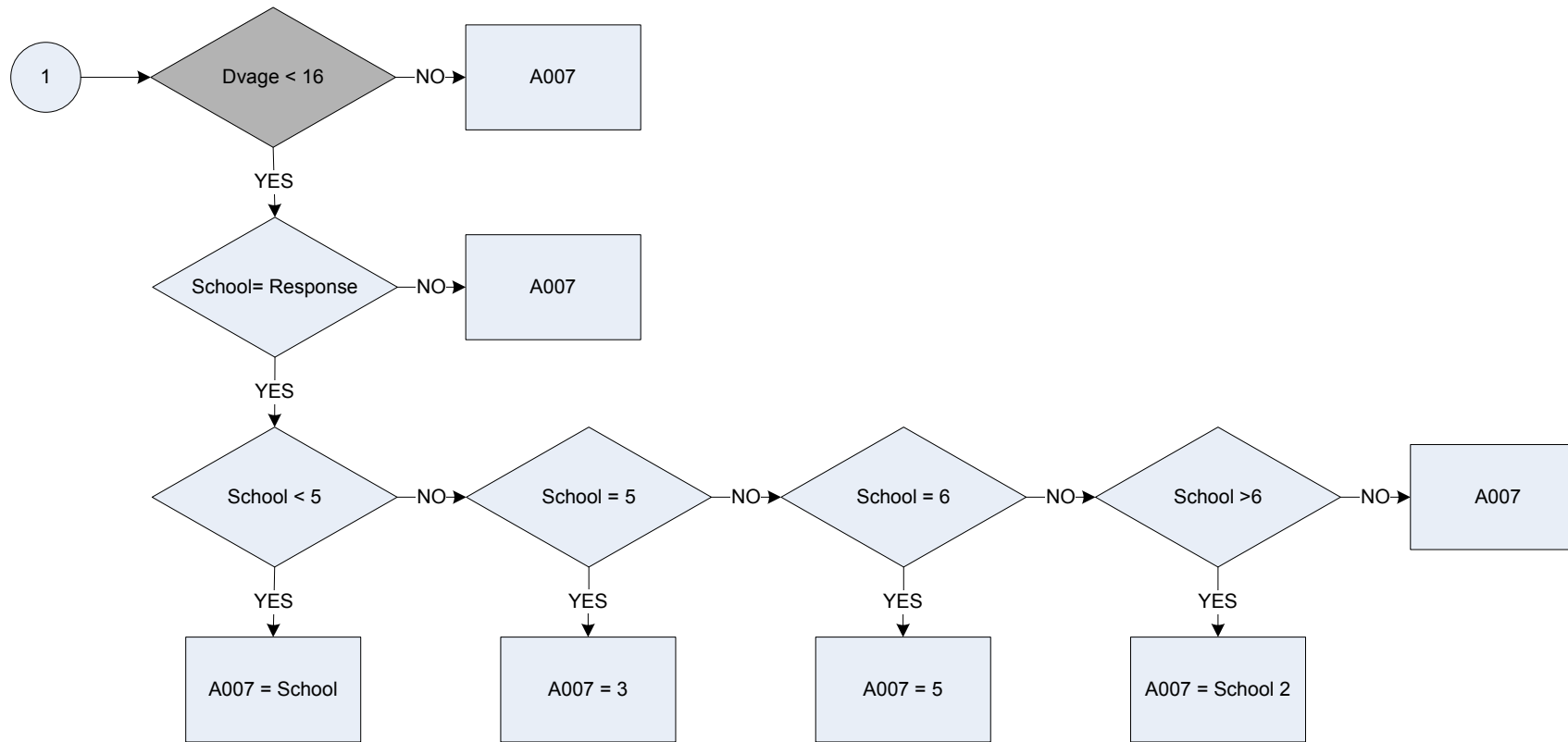
1	State run special
2	Secondary/grammar school
3	Non-advanced further education
4	Any private Independent school
5	University/any other higher education

School

What type of school does the respondent attend?

1	Not yet attending education
2	Nursery school nursery class playgroup
3	State-run maintained primary
4	State-run special
5	Secondary/grammar school
6	Non-advanced further education
7	Any private Independent school
8	University/any other higher education
9	Home Schooling

A007- Current full-time education



KEY

A007

Current full time education

0	Not recorded
1	Not yet at school
2	State nursery school
3	State primary school
4	State special school
5	State secondary school
6	Non-advanced further education
7	Private; independent
8	University polytechnic etc.
9	Home Schooling

Dvage

Derived from Birth and Agelf

- Age for whole sample

EdAgeCor

Age when respondent left full time education (coded as 96 if respondent is still in full time education)

TypeEd

What type of school or college does the respondent attend?

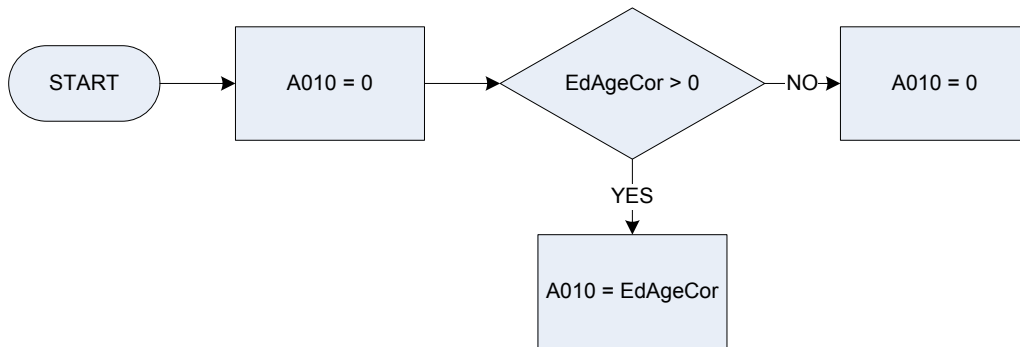
4	State run special
7	Secondary grammar school
8	Non-advanced further education
9	Any private Independent school
10	University polytechnic any other higher

School

What type of school does the respondent attend?

1	Not yet attending education
2	Nursery school nursery class playgroup
3	State-run maintained primary
4	State-run special
5	Mid Primary
6	Mid Secondary
7	Secondary grammar school
8	Non-advanced further education
9	Any private Independent school
10	University polytechnic any other higher
11	Home Schooling

A010 – Age completed continuous full time education

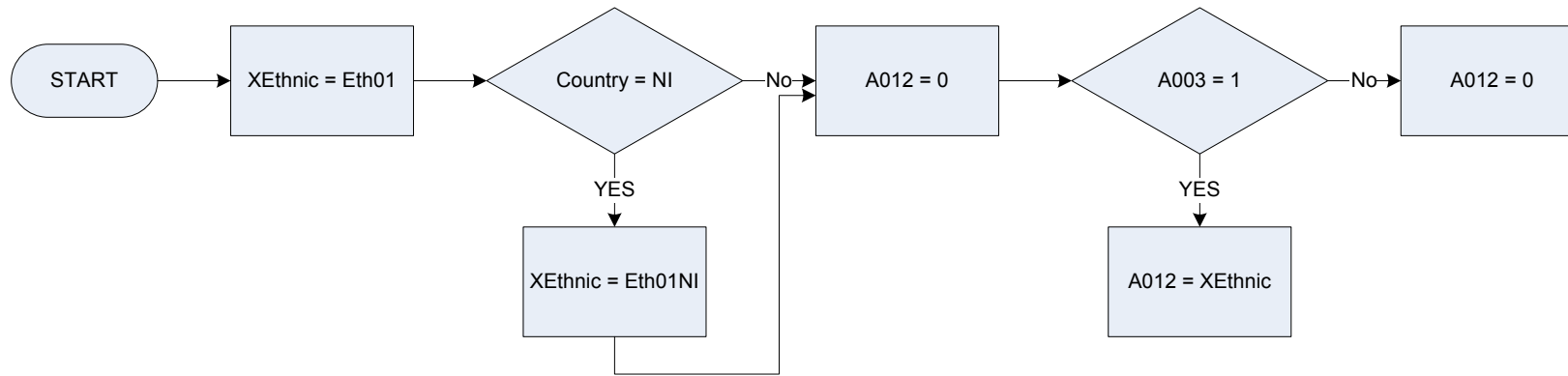


KEY

EdAgeCor

Age when respondent left full time education (coded as 96 if respondent is still in full time education)

A012 – Ethnic origin of Household Reference Person



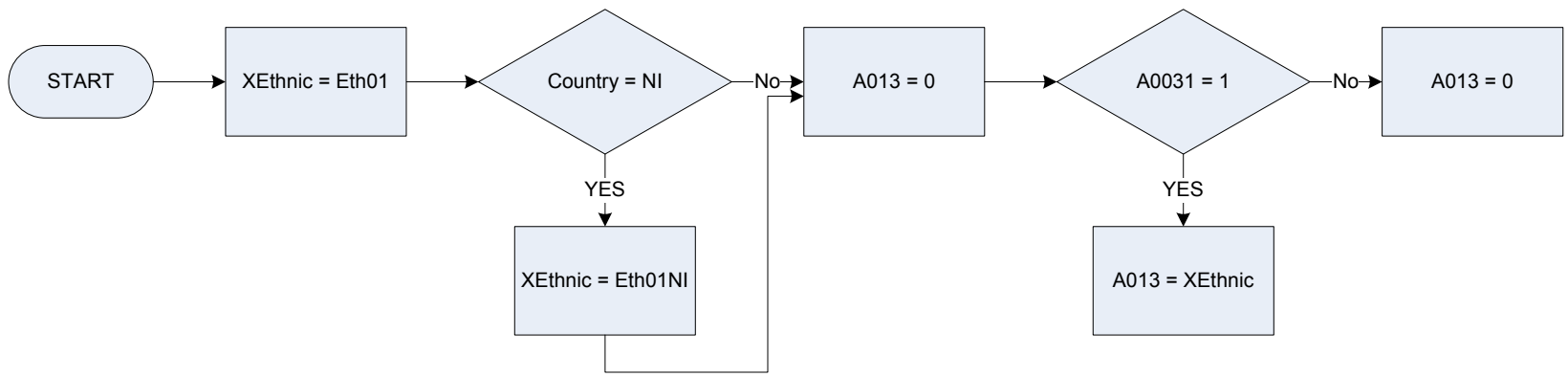
KEY

A003	Household Reference Person (HRP)
1	HRP
2	Not HRP
A012	Ethnic origin of Household Reference Person
0	"Not applicable"
1	"White"
2	"Mixed"
3	"Asian or Asian British"
4	"Black or Black British"
5	"Chinese"
6	"Other ethnic group"

Eth01	Ethnic Group: Ethnicity
1	"White"
2	"Mixed"
3	"Asian or Asian British"
4	"Black or Black British"
5	"Chinese"
6	"Other ethnic group"
Eth01NI	Ethnic Group: Ethnicity – Northern Ireland
1	"White"
2	"Mixed"
3	"Asian"
4	"Black"
5	"Chinese"
6	"Other ethnic group"

XEthnic Temporary variable used in calculations: Ethnic origin of Household Reference Person

A013 – Ethnic origin of Partner of Household Reference Person



KEY

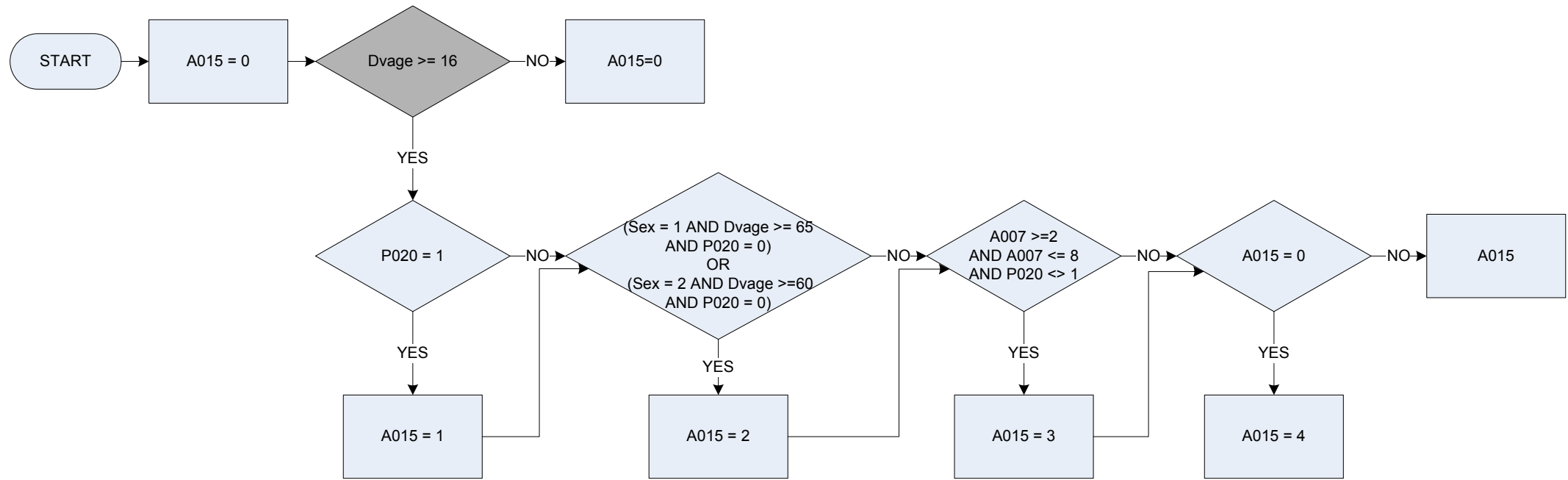
A013 Ethnic origin of partner of Household Reference Person (HRP)
 0 Not applicable
 1 White
 2 Mixed
 3 Asian or Asian British
 4 Black or Black British
 5 Chinese
 6 Other ethnic group

A0031 Partner of Household Reference Person
 1 "Yes"
 2 "No"

Eth01 Ethnic Group: Ethnicity
 1 "White"
 2 "Mixed"
 3 "Asian or Asian British"
 4 "Black or Black British"
 5 "Chinese"
 6 "Other ethnic group"
Eth01NI Ethnic Group: Ethnicity – Northern Ireland
 1 "White"
 2 "Mixed"
 3 "Asian"
 4 "Black"
 5 "Chinese"
 6 "Other ethnic group"

XEthnic Temporary variable used in calculations: Ethnic origin of Household Reference Person

A015 – Employment position

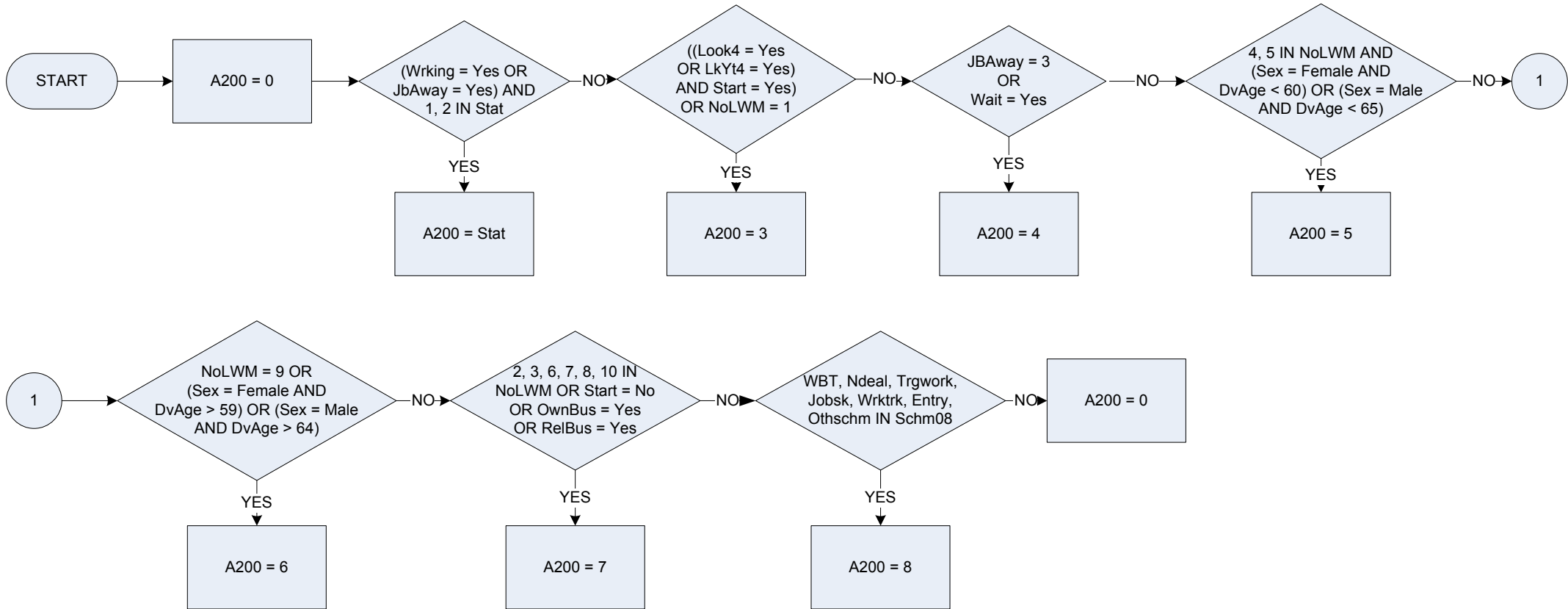


KEY

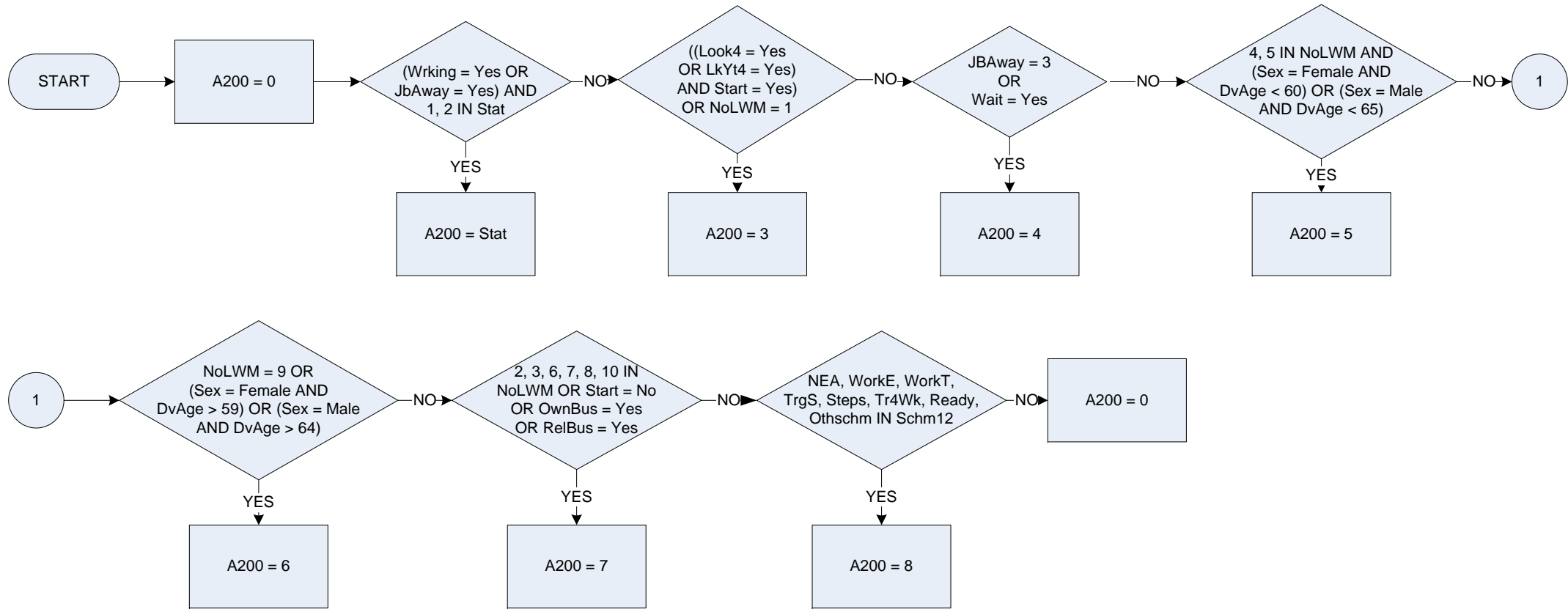
A007	Current full time education
0	"Not recorded"
1	"Not yet attending education"
2	"Nursery school/nursery class/playgroup/pre-school"
3	"State-run/maintained primary school (including reception classes) or middle deemed primary (State run or assisted)"
4	"State run special school (e.g. for children with disabilities and special educational needs)"
5	"Middle deemed secondary, secondary/grammar school (State run or assisted)"
6	"Non-advanced further education/sixth form/tertiary/further education college"
7	"Any private/independent school (prep, primary, secondary, City Technology Colleges)"
8	"University/polytechnic, any other higher education college"
9	"Home Schooling"

A015	Employment position
0	Not recorded
1	Working
2	Retired/unoccupied & minimum NI age
3	Full-time education
4	Other
Dvage	Derived from Birth and Agefl - Age for whole sample
P020	Person working
Sex	1 Male 2 Female

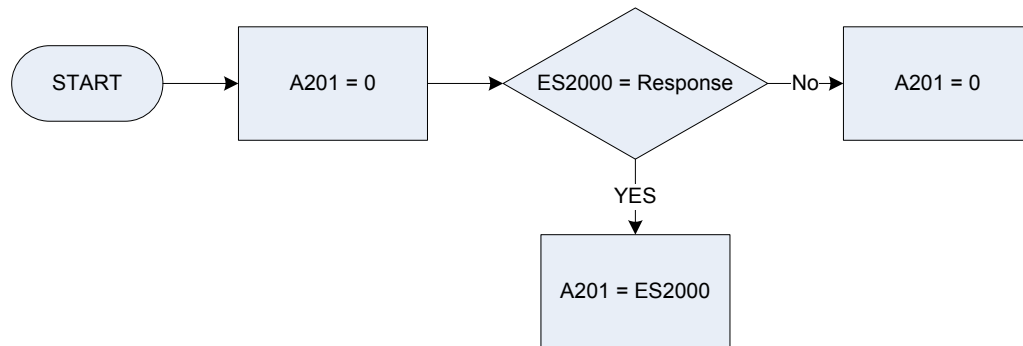
A200 – Employment status



A200 – Employment status



A201 – Employment status - harmonised (ES2000)

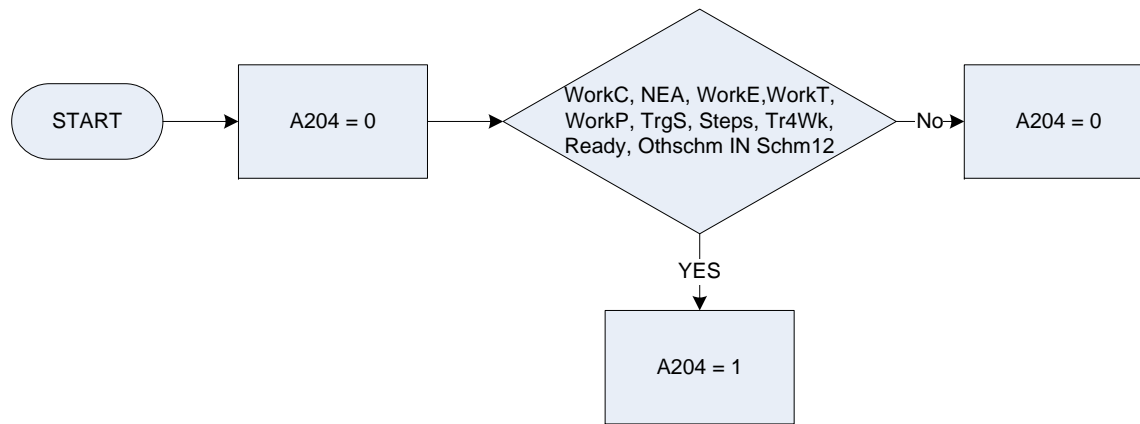


KEY

A201	Employment Status - Harmonised(ES2000)
0	<i>Not recorded</i>
1	<i>Self-employed : large establishment (25+ employees)</i>
2	<i>Self-employed : small establishment (1-24 employees)</i>
3	<i>Self-employed : no employees</i>
4	<i>Manager : large establishment (25+ employees)</i>
5	<i>Manager : small establishment (1-24 employees)</i>
6	<i>Foreman or supervisor</i>
7	<i>Employee (not elsewhere classified)</i>
8	<i>No employment status info given</i>

ES2000 Derived in Industry Coding section of the questionnaire

A204 - Government training programme



KEY

A204

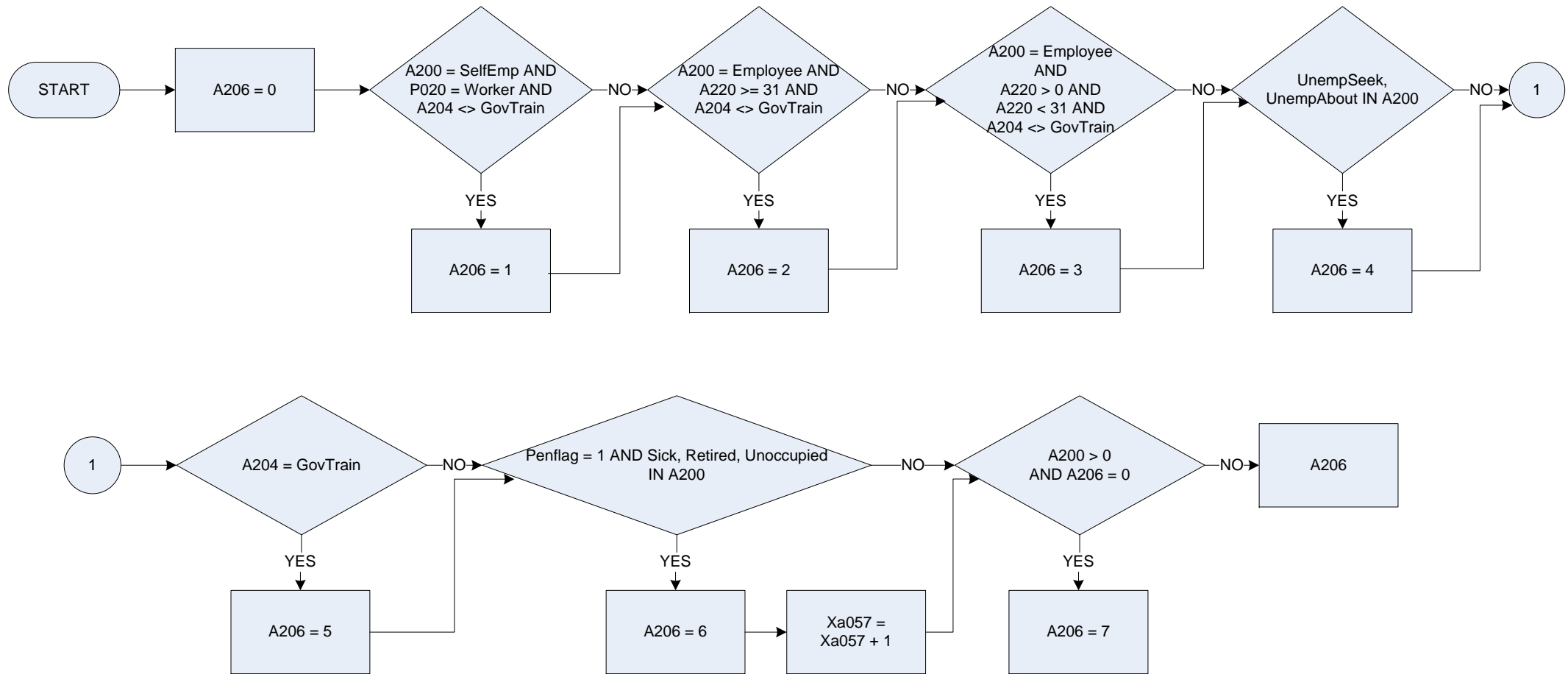
Government training programme
0 No government training programme
1 Government training programme

Schm12

In the last seven days, was the respondent on any of the following schemes?

WorkC Work club or Enterprise club
NEA New Enterprise Allowance
WorkE Work Experience
WorkT Work Trial
WorkP Work programmes
TrgS Training for success
Steps Steps to work
Tr4Wk Training for work
Ready Get ready for work
OthSchm Any other training scheme,
None or none of these?

A206 – Economic position



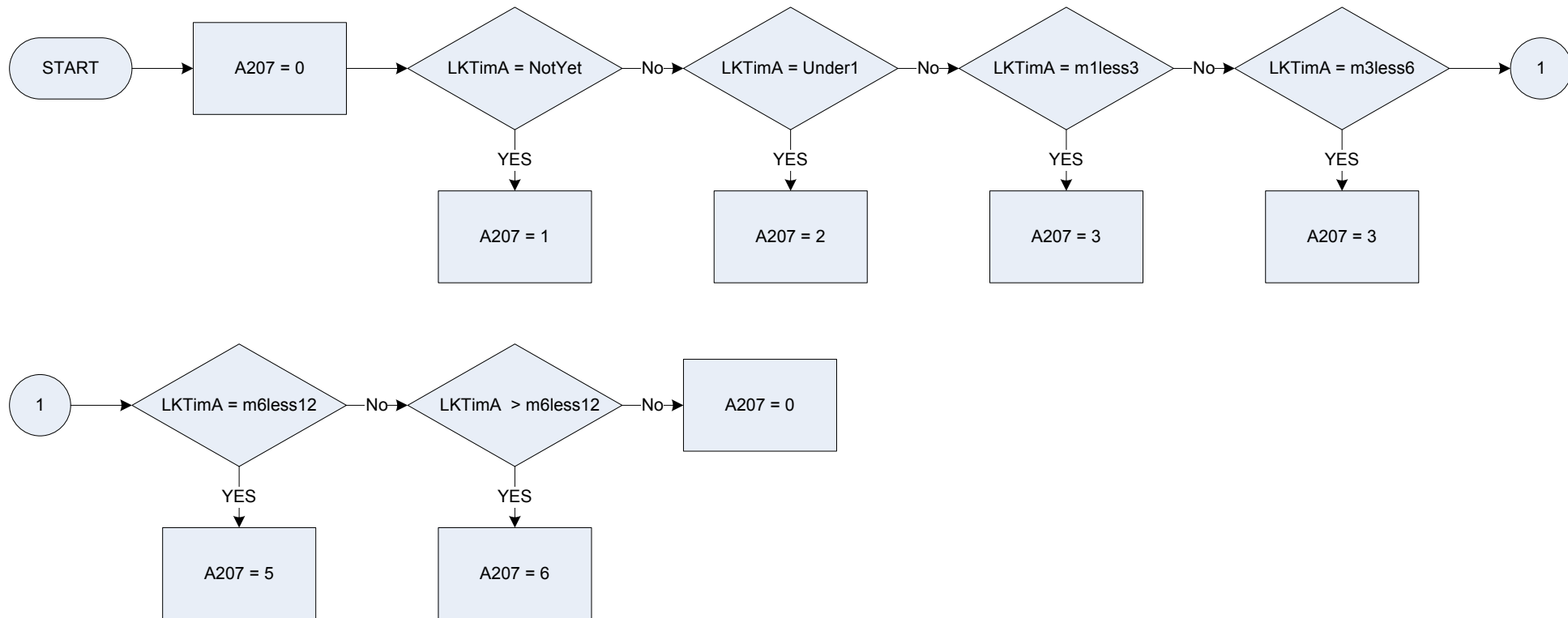
KEY

A200	Employment status (FES definition)
0	"Not recorded"
1	"Employee"
2	"Self-employed or employer"
3	"Out of employment, seeking work within last 4 weeks & available to start a job"
4	"Out of employment, waiting to start a job already obtained"
5	"Sick or injured"
6	"Retired including Job Release Scheme"
7	"Unoccupied"
A204	Government training programme
0	"No government training programme"
1	"Government training programme"

A206	Economic position
0	Not recorded
1	Self-employed
2	Full-time employee
3	Part-time employee
4	Unemployed
5	Work related govt train prog
6	Ret unoc over min ni age
7	Unoc - under min ni age
A220	Usual weekly hours (exc breaks & overtime)
Dvage	Derived from Birth and Agefl to give a weekly amount - Age for whole sample

Penflag	Variable used to calculate pension age – 65 or over for males, dependant on date of birth for females
P020	Person working
Sex	Sex
1	Male
2	Female
Xa057	Temporary variable used in calculations

A207 – Time spent looking for a paid work or a place on a government scheme



KEY

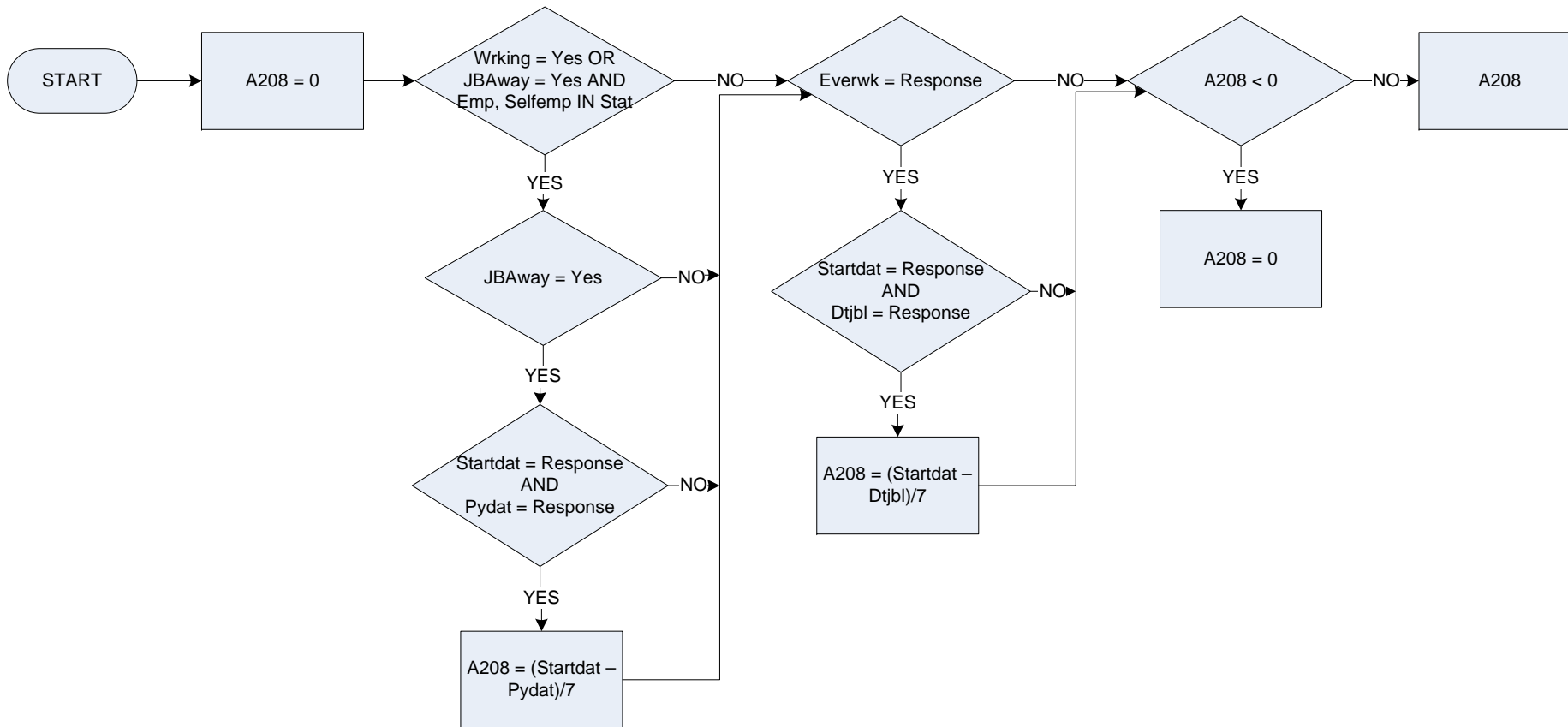
A207	Time spent looking for paid work place
0	Not going to look at all
1	Not yet started to look
2	Less than 1 month
3	1 month but less than 3 months
4	3 months but less than 6 months
5	6 months but less than 12 months
6	12 months or more

LKTImA

How long has the respondent been looking for paid work/a place on a government scheme/an additional or replacement job?

NotYet	Not yet started
Under1	Less than 1 month
m1less3	1 month but less than 3 months
m3less6	3 months but less than 6 months
m6less12	6 months but less than 12 months
m12les18	12 months but less than 18 months
m18les2y	18 months but less than 2 years
y2less3	2 years but less than 3 years
y3less4	3 years but less than 4 years
y4less5	4 years but less than 5 years
y5Plus	5 years or more

A208 – Number of weeks away from work



KEY

Dtjbl	When did respondent leave their last PAID job?	Wrking	Did the respondent do any paid work in the last seven days, either as an employee or as self employed?
Everwk	Has the respondent ever had a paid job, apart from casual or holiday work?		
	Yes Yes		Yes Yes
	No No		No No
JBAway	Did the respondent have a job or business that they were away from?		
	Yes Yes		
	No No		
	Waiting <i>Waiting to take up a new job/business already obtained</i>		
Pydat	On what date was the respondent last paid a wage or salary? (On what date do they expect to be paid a wage or salary?)		
Startdat	Date when interview with this household was started		
Stat	Was the respondent working as an employee or self-employed? (or record if on government scheme or doing unpaid work)		
	Emp <i>Employee</i>		
	Selfemp <i>Self-employed</i>		
	GovSchem <i>Government scheme</i>		
	UnpaidFW <i>Unpaid family worker</i>		

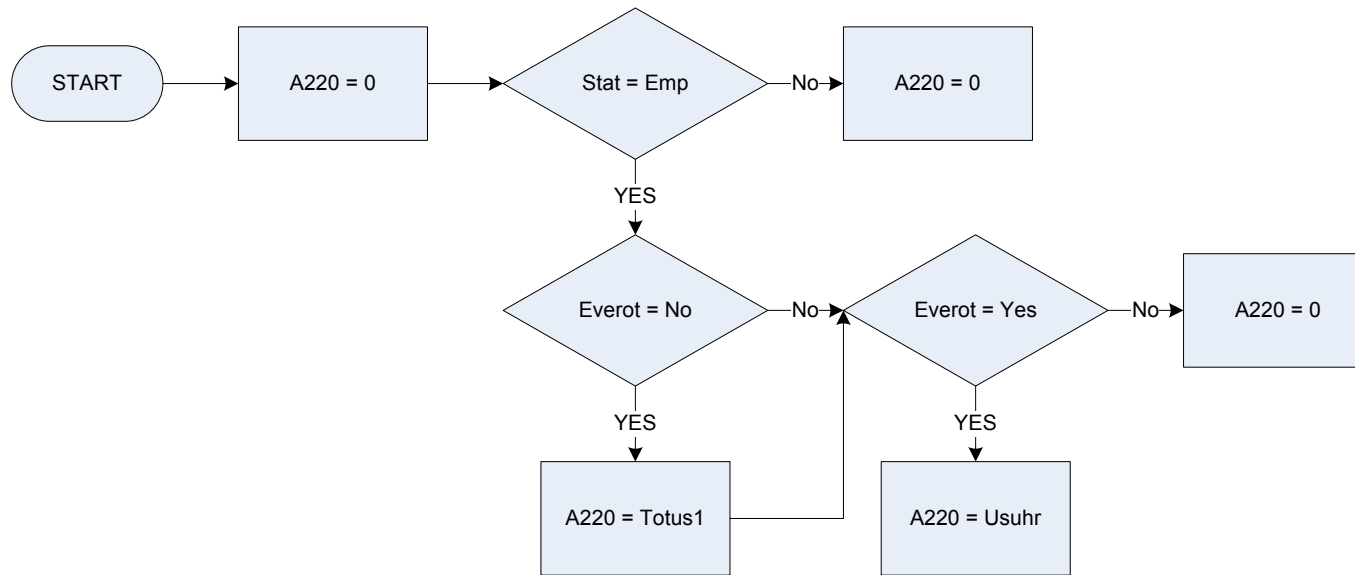
A216 – NS Socio-economic classification - full

A216 is categorised according to the NS-SEC method of classification, as detailed below.

A216 NS Socio-economic classification – full

SEC0	<i>Not recorded</i>
SEC1	<i>Employers in large organisations</i>
SEC2	<i>Higher managerial</i>
SEC3	<i>Higher professional (traditional) – employees</i>
SEC4	<i>Higher professional (new) – employees</i>
SEC5	<i>Higher professional (traditional) - self-employed</i>
SEC6	<i>Higher professional (new) - self-employed</i>
SEC7	<i>Lower professional & higher technical (traditional) – employees</i>
SEC8	<i>Lower professional & higher technical (new) – employees</i>
SEC9	<i>Lower professional & higher technical (traditional) - self-employed</i>
SEC10	<i>Lower professional & higher technical (new) - self-employed</i>
SEC11	<i>Lower managerial</i>
SEC12	<i>Higher supervisory</i>
SEC13	<i>Intermediate clerical and administrative</i>
SEC14	<i>Intermediate sales and service</i>
SEC15	<i>Intermediate technical and auxiliary</i>
SEC16	<i>Intermediate engineering</i>
SEC17	<i>Employers (small organisations, non-professional)</i>
SEC18	<i>Employers (small - agricultural)</i>
SEC19	<i>Own account workers (non-professional)</i>
SEC20	<i>Own account workers (agriculture)</i>
SEC21	<i>Lower supervisory</i>
SEC22	<i>Lower technical craft</i>
SEC23	<i>Lower technical process operative</i>
SEC24	<i>Semi-routine sales</i>
SEC25	<i>Semi-routine service</i>
SEC26	<i>Semi-routine technical</i>
SEC27	<i>Semi-routine operative</i>
SEC28	<i>Semi-routine agricultural</i>
SEC29	<i>Semi-routine clerical</i>
SEC30	<i>Semi-routine childcare</i>
SEC31	<i>Routine sales and service</i>
SEC32	<i>Routine production</i>
SEC33	<i>Routine technical</i>
SEC34	<i>Routine operative</i>
SEC35	<i>Routine agricultural</i>
SEC36	<i>Never worked</i>
SEC37	<i>Long-term unemployed</i>
SEC38	<i>Full-time students</i>
SEC39	<i>Occupations not stated</i>
SEC40	<i>Not classifiable for other reason</i>

A220 – Usual weekly hours (excluding breaks & overtime)



KEY

Stat

Was respondent working as an employee or were they self-employed?

- 1 *Employed*
- 2 *Self-employed*

Everot

Did respondent ever do any work which would be regarded as paid or unpaid overtime?

- 1 *Yes*
- 2 *No*

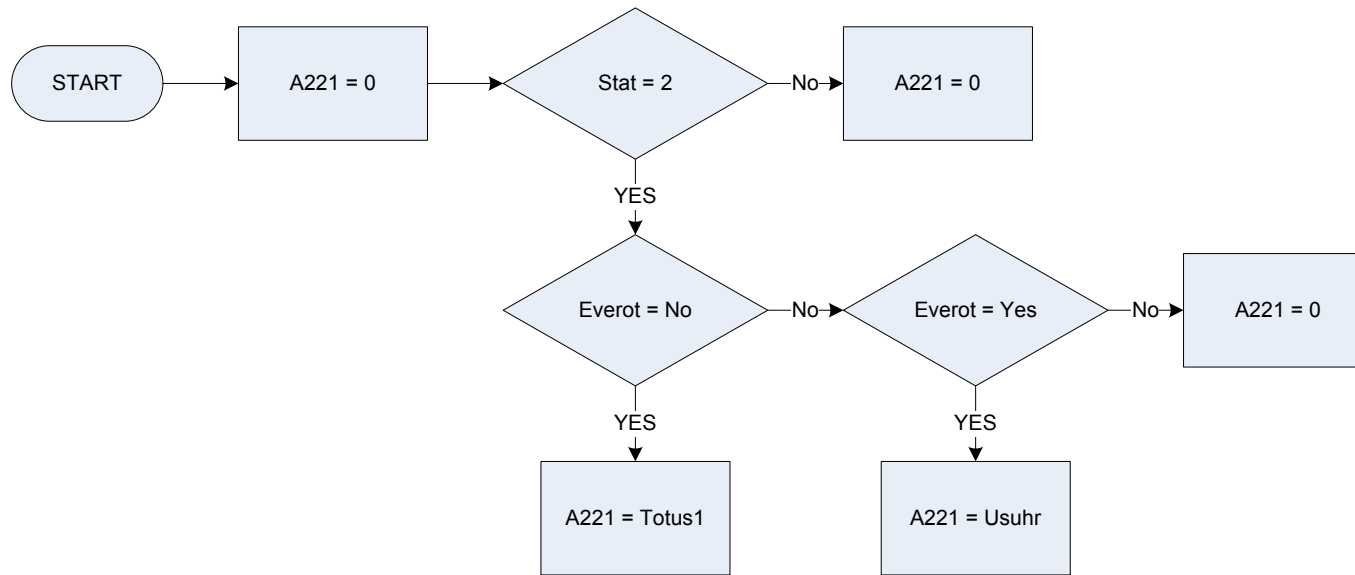
Totus1

How many hours per week does the respondent usually work in their (main) job/business - excluding meal breaks?

Usuhr

How many hours per week does the respondent usually work - excluding meal breaks and overtime?

A221 – Self employed: usual weekly hours worked



KEY

Stat

Was respondent working as an employee or were they self-employed?

- 1 *Employed*
- 2 *Self-employed*

Everot

Did respondent ever do any work which would be regarded as paid or unpaid overtime?

- 1 *Yes*
- 2 *No*

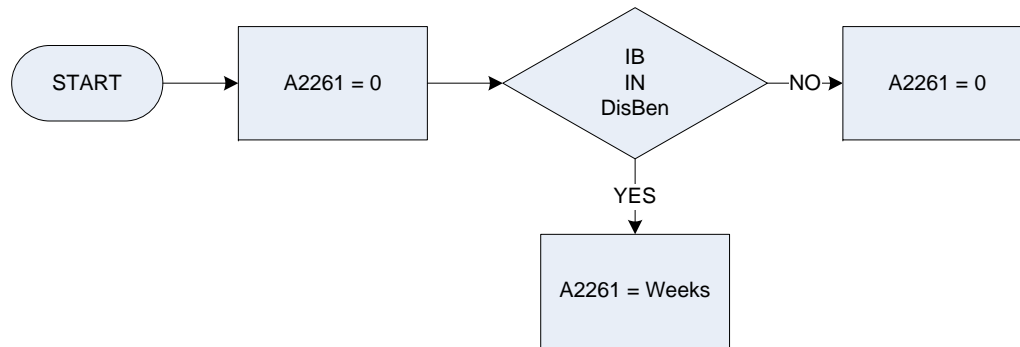
Totus1

How many hours per week does the respondent usually work in their (main) job/business - excluding meal breaks?

Usuhr

How many hours per week does the respondent usually work - excluding meal breaks and overtime?

A2261 – Incapacity benefit – time received



KEY

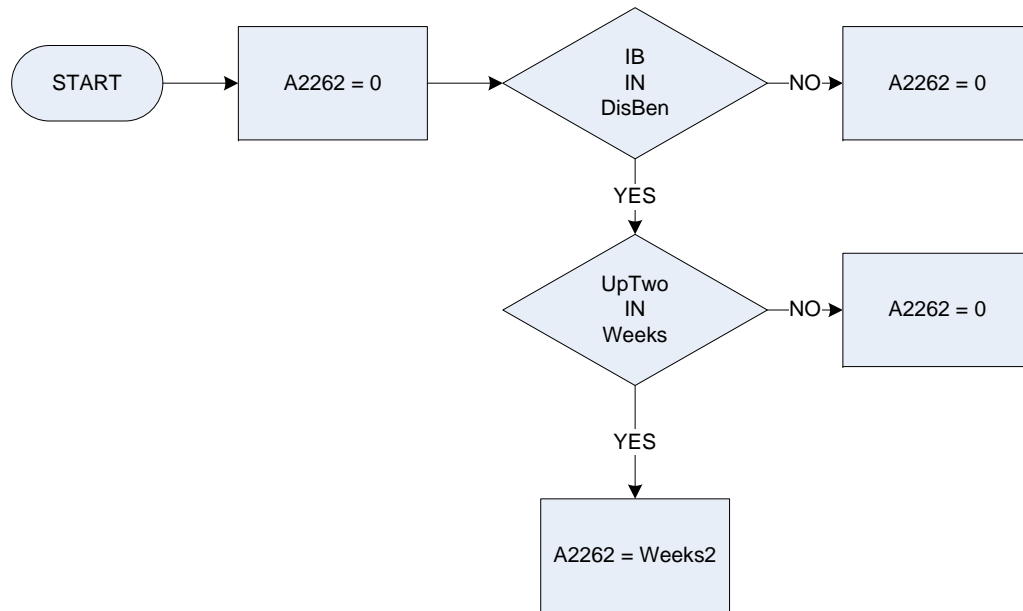
DisBen Is the respondent at present receiving any of these benefits in their own right, or on behalf of another person?

- PIP** *Personal Independence Payment (including the car allowance known as Motability)*
- DLA** *Disability Living Allowance (including the car allowance known as Motability)*
- AtAll** *Attendance Allowance*
- SDA** *Severe Disablement Allowance*
- IB** *Incapacity Benefit*
- IIDB** *Industrial Injuries Disablement Benefit*
- None** *None of these*

Weeks For how long has the respondent been on this benefit?

- UpTwo** *Up to 2 years*
- LesThre** *2 years but less than 3*
- LesFour** *3 years but less than 4*
- LesFiv** *4 years but less than 5*
- MoreFiv** *5 or more years*

A2262 – Incapacity benefit - number of weeks received (up to 2 years)



KEY

DisBen Is the respondent at present receiving any of these state benefits in their own right, or on behalf of another person?

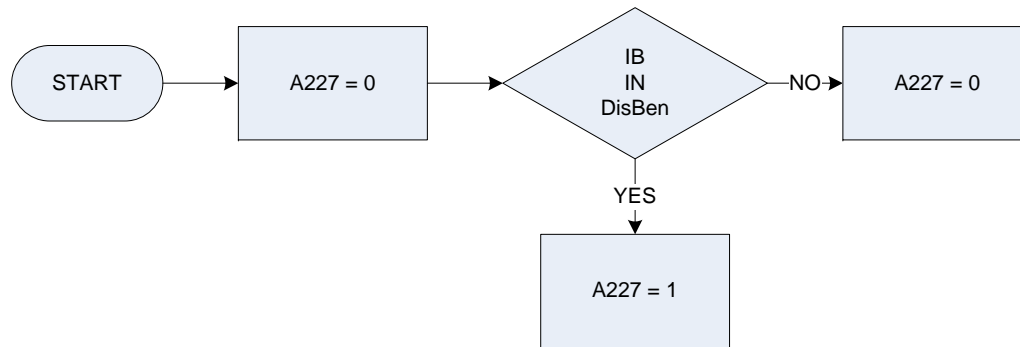
- PIP** Personal Independence Payment (including the car allowance known as Motability)
- DLA** Disability Living Allowance (including the car allowance known as Motability)
- AtAll** Attendance Allowance
- SDA** Severe Disablement Allowance
- IB** Incapacity Benefit
- IIDB** Industrial Injuries Disablement Benefit
- None** None of these

Weeks For how long has the respondent been on this benefit?

- UpTwo** Up to 2 years
- LesThre** 2 years but less than 3
- LesFour** 3 years but less than 4
- LesFiv** 4 years but less than 5
- MoreFiv** 5 or more years

Weeks2 For how many weeks has the respondent been on this benefit?

A227 – Incapacity benefit – receiving at present



KEY

A227

Incapacity benefit - receiving at present

0 Not applicable

1 Receiving at present

DisBen

Is the respondent at present receiving any of these state benefits in their own right, or on behalf of another person?

PIP Personal Independence Payment (including the car allowance known as Motability)

DLA Disability Living Allowance (including the car allowance known as Motability)

AtAII Attendance Allowance

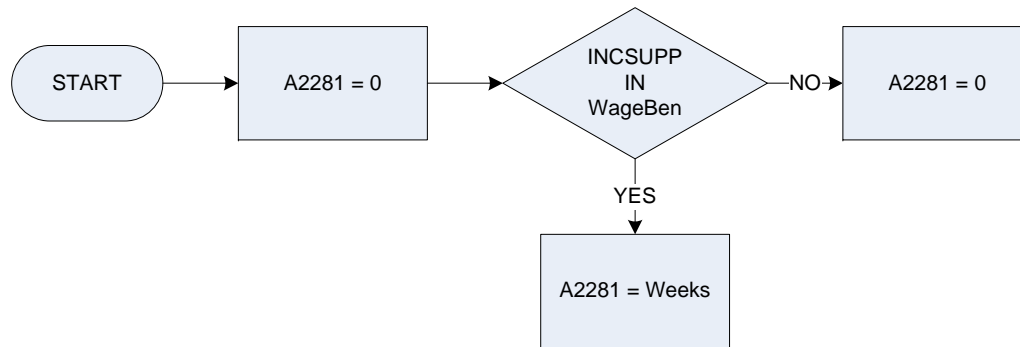
SDA Severe Disablement Allowance

IB Incapacity Benefit

IIDB Industrial Injuries Disablement Benefit

None None of these

A2281 – Income support – Time received



KEY

WageBen

Is the respondent at present receiving any of these state benefits in their own right, that is where they are the named recipient?

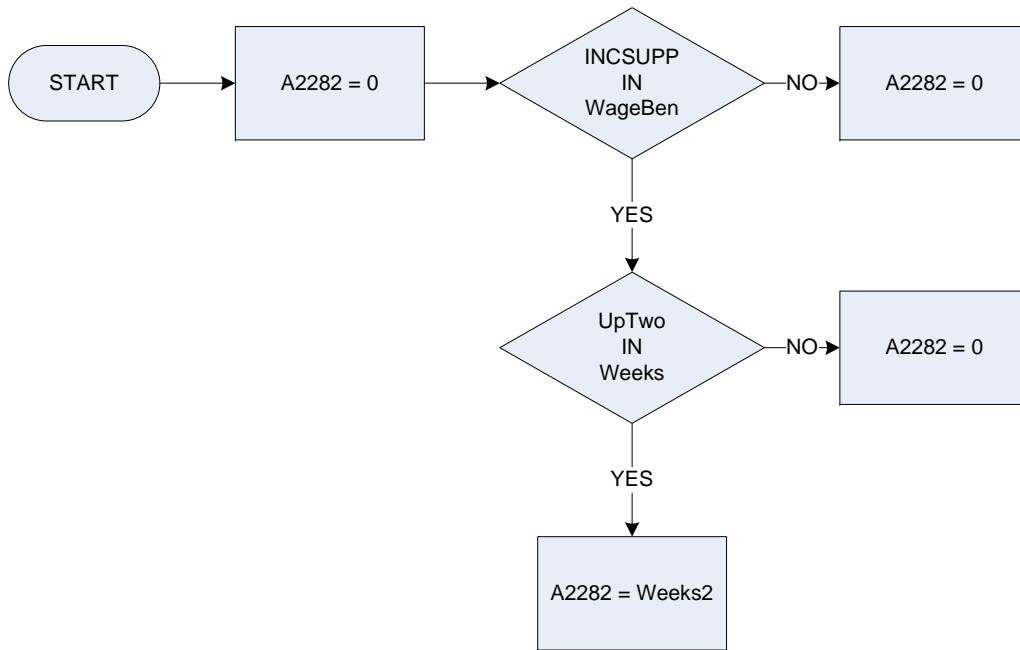
- UniCred** *Universal Credit*
- HousBen** *Housing Benefit*
- WTC** *Working Tax Credit (excluding any childcare element of Working Tax Credit)*
- CTC** *Child Tax Credit (including any childcare element of Working Tax Credit)*
- IncSupp** *Income Support*
- JSA** *Jobseeker's Allowance*
- ESA** *Employment and Support Allowance*
- CareAll** *Carer's Allowance*
- None** *None of these*

Weeks

For how long has the respondent been on this benefit?

- UpTwo** *Up to 2 years*
- LesThre** *2 years but less than 3*
- LesFour** *3 years but less than 4*
- LesFiv** *4 years but less than 5*
- MoreFiv** *5 or more years*

A2282 – Income support - number of weeks received (up to 2 years)



KEY

WageBen

Is the respondent at present receiving any of these state benefits in their own right, that is where they are the named recipient?

- UniCred** Universal Credit
- HousBen** Housing Benefit
- WTC** Working Tax Credit (excluding any childcare element of Working Tax Credit)
- CTC** Child Tax Credit (including any childcare element of Working Tax Credit)
- IncSupp** Income Support
- JSA** Jobseeker's Allowance
- ESA** Employment and Support Allowance
- CareAll** Carer's Allowance
- None** None of these

Weeks

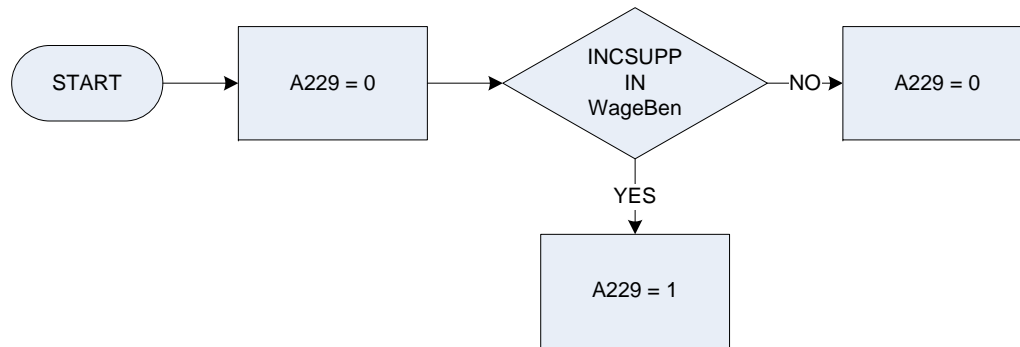
For how long has the respondent been on this benefit?

- UpTwo** Up to 2 years
- LesThre** 2 years but less than 3
- LesFour** 3 years but less than 4
- LesFiv** 4 years but less than 5
- MoreFiv** 5 or more years

Weeks2

For how many weeks has the respondent been on this benefit?

A229 – Income support – receiving at present



KEY

A229

Income support - receiving at present

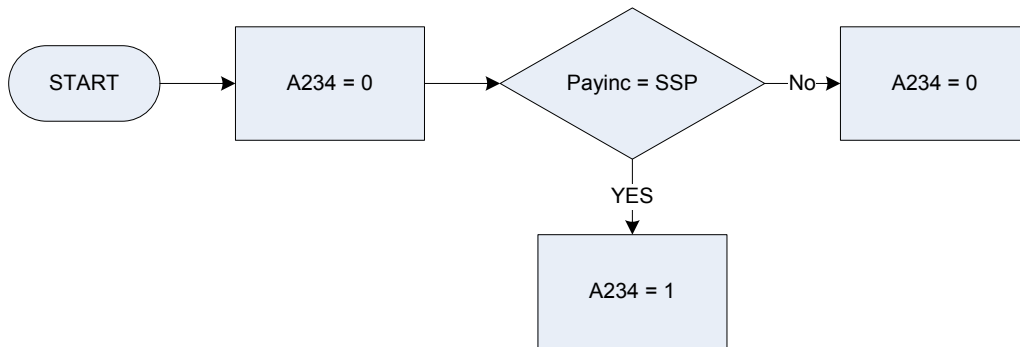
0 *Not applicable*
1 *Receiving at present*

WageBen

Is the respondent at present receiving any of these state benefits in their own right, that is where they are the named recipient?

UniCred *Universal Credit*
HousBen *Housing Benefit*
WTC *Working Tax Credit (excluding any childcare element of Working Tax Credit)*
CTC *Child Tax Credit (including any childcare element of Working Tax Credit)*
IncSupp *Income Support*
JSA *Jobseeker's Allowance*
ESA *Employment and Support Allowance*
CareAll *Carer's Allowance*
None *None of these*

A234 – Statutory sick pay - receiving at present



KEY

A234

Statutory sick pay - receiving at present

0 *Not recorded*

1 *Included*

Payinc

Did the respondent's take home pay include any of the items shown below?

SSP *Statutory Sick Pay*

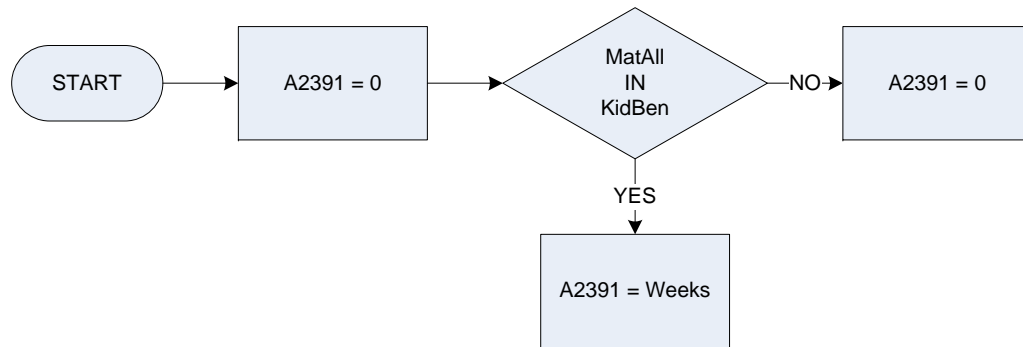
SMP *Statutory Maternity Pay*

SPP *Statutory Paternity Pay*

SAP *Statutory Adoption Pay*

NoInc *None of these*

A2391 – Maternity allowance – time received



KEY

KidBen

Is the respondent at present receiving any of these state benefits in their own right - that is, where they are the named recipient?

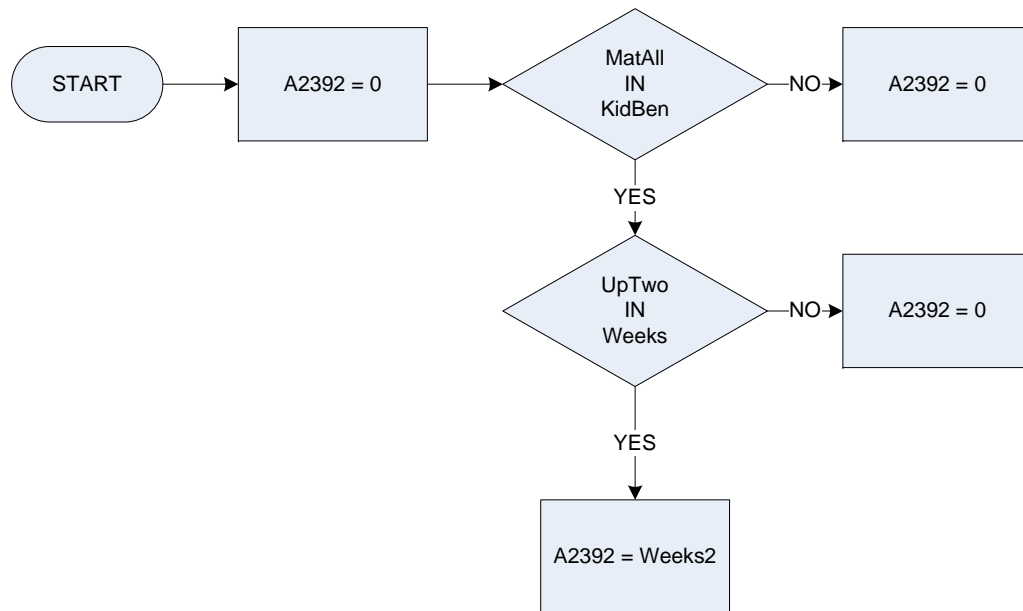
ChildBen *Child Benefit*
GuardAll *Guardian's Allowance*
MatAll *Maternity Allowance*
None *None of these*

Weeks

For how long has the respondent been on this benefit?

UpTwo *Up to 2 years*
LesThre *2 years but less than 3*
LesFour *3 years but less than 4*
LesFiv *4 years but less than 5*
MoreFiv *5 or more years*

A2392 – Maternity allowance – time received (up to two years)



KEY

KidBen Is the respondent at present receiving any of these state benefits in their own right - that is, where they are the named recipient?

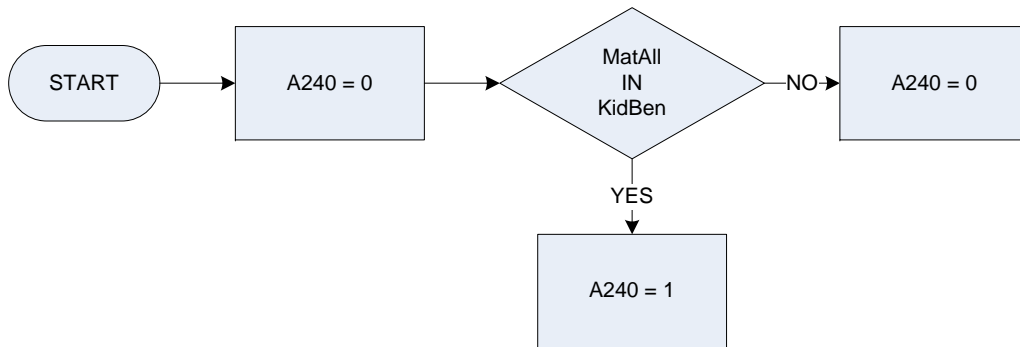
ChildBen Child Benefit
GuardAll Guardian's Allowance
MatAll Maternity Allowance
None None of these

Weeks For how long has the respondent been on this benefit?

UpTwo Up to 2 years
LesThre 2 years but less than 3
LesFour 3 years but less than 4
LesFiv 4 years but less than 5
MoreFiv 5 or more years

Weeks2 For how many weeks has the respondent been on this benefit?

A240 – Maternity allowance receiving at present



KEY

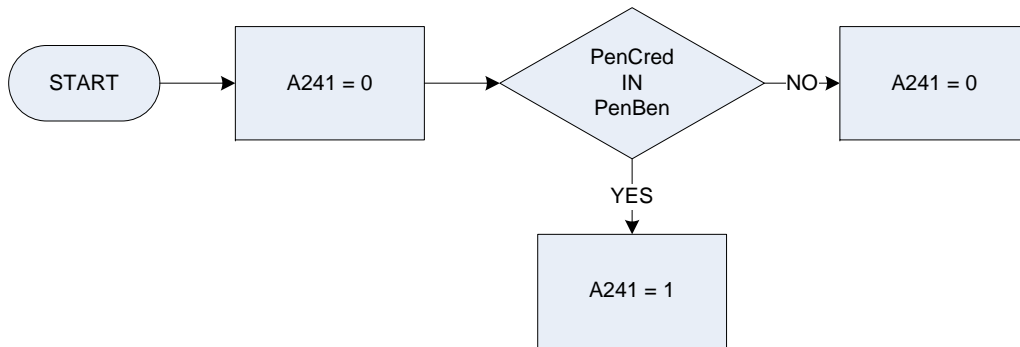
A240

Maternity allowance - receiving at present
0 *Not applicable*
1 *Receiving at present*

KidBen

Is the respondent at present receiving any of these state benefits in their own right - that is, where they are the named recipient?
ChildBen *Child Benefit*
GuardAll *Guardian's Allowance*
MatAll *Maternity Allowance*
None *None of these*

A241 – Pension Credit – receiving at present



KEY

A241

Pension Credit - receiving at present

0 Not applicable

1 PC currently received

PenBen

Is the respondent, at present receiving any of these state benefits in their own right - that is, where they are the named recipient?

PenCred Pension Credit

SRP State Retirement Pension

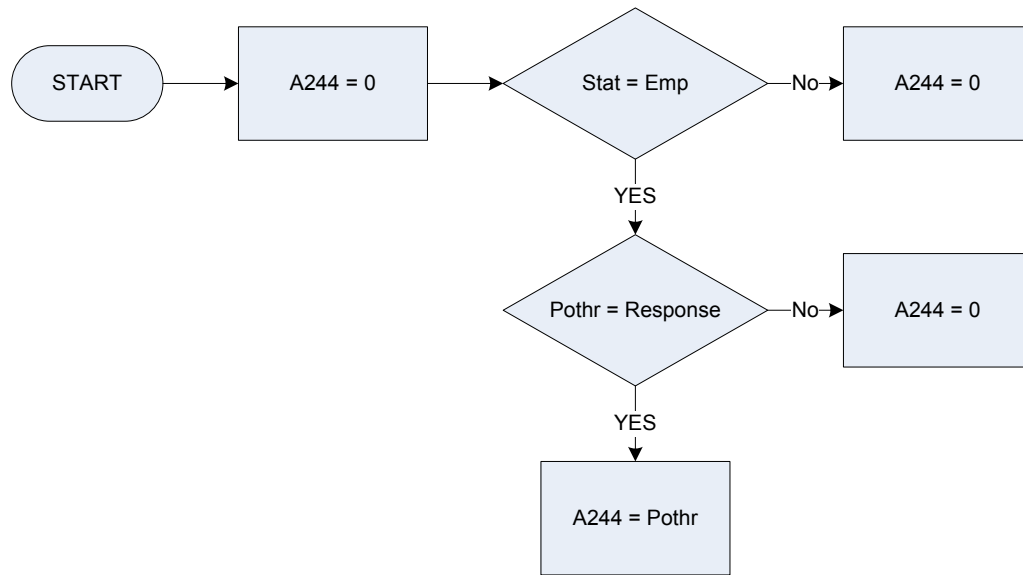
WidBen Widow's Pension, Bereavement Allowance, Widowed Parent's Allowance (formerly Widowed Mother's Allowance)

AFCS Armed Forces Compensation Scheme (formerly War Disablement Pension), including Guaranteed Income Payments

WarWid War Widow's/Widower's Pension (and any related allowances)

None None of these

A244 – Hours paid overtime usually worked



KEY

Stat

Was the respondent working as an employee or were they self-employed?

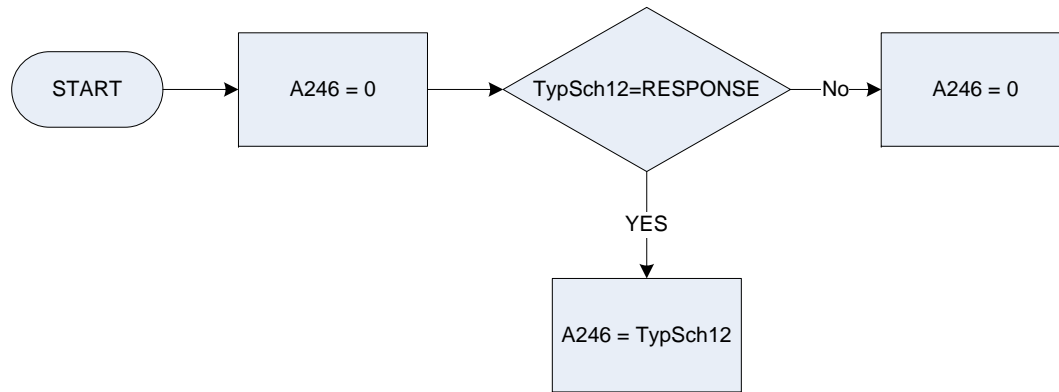
1 Employee

2 Self-employed

Pothr

How many hours paid overtime does the respondent usually work per week?

A246 – Type of government training scheme attended



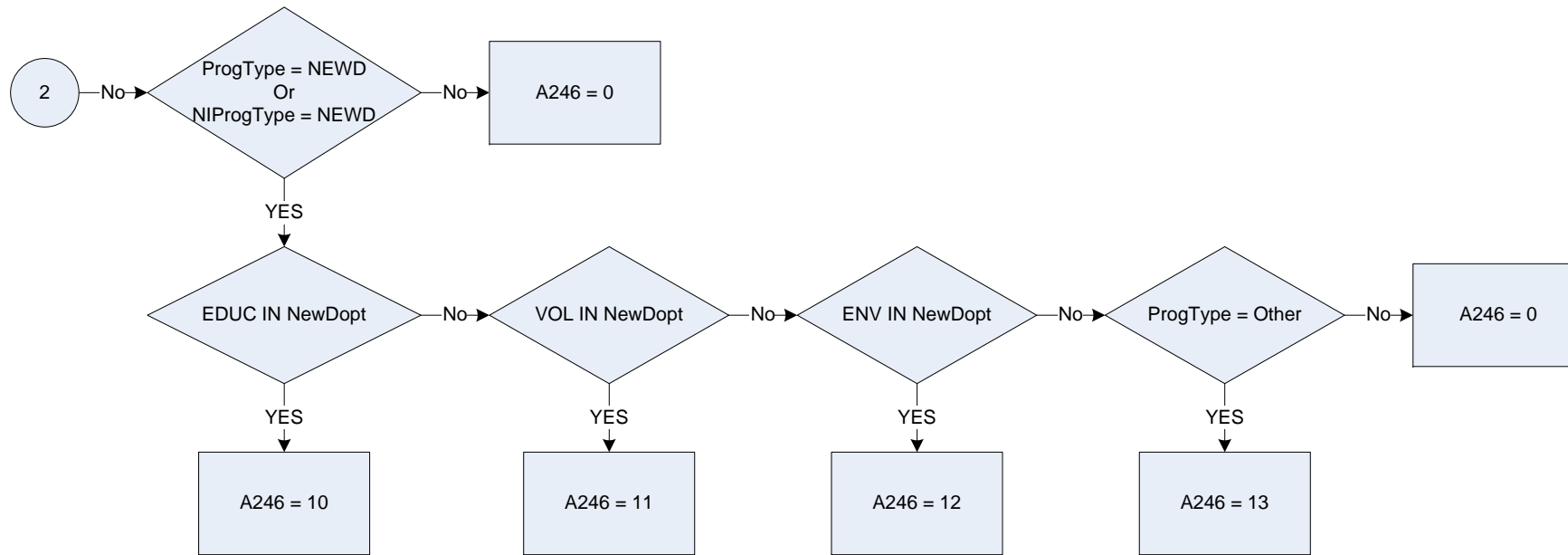
KEY

TypSch12

Last Week, on that government scheme, were you mainly...

- 1 working for an employer
- 2 temporarily away from an employer
- 3 working for a voluntary organisation/charity
- 4 undertaking some other form of voluntary or community work
- 5 working for an environmental or task force
- 6 in full-time or part-time study
- 7 temporarily away from full-time or part-time study
- 8 receiving help setting up as self-employed
- 9 on a project providing work experience or practical training
- 10 undertaking some other form of employment training
- 11 or some other situation not listed?

A246 – Type of government training scheme attended



NIProgType

(Northern Ireland): Which scheme?

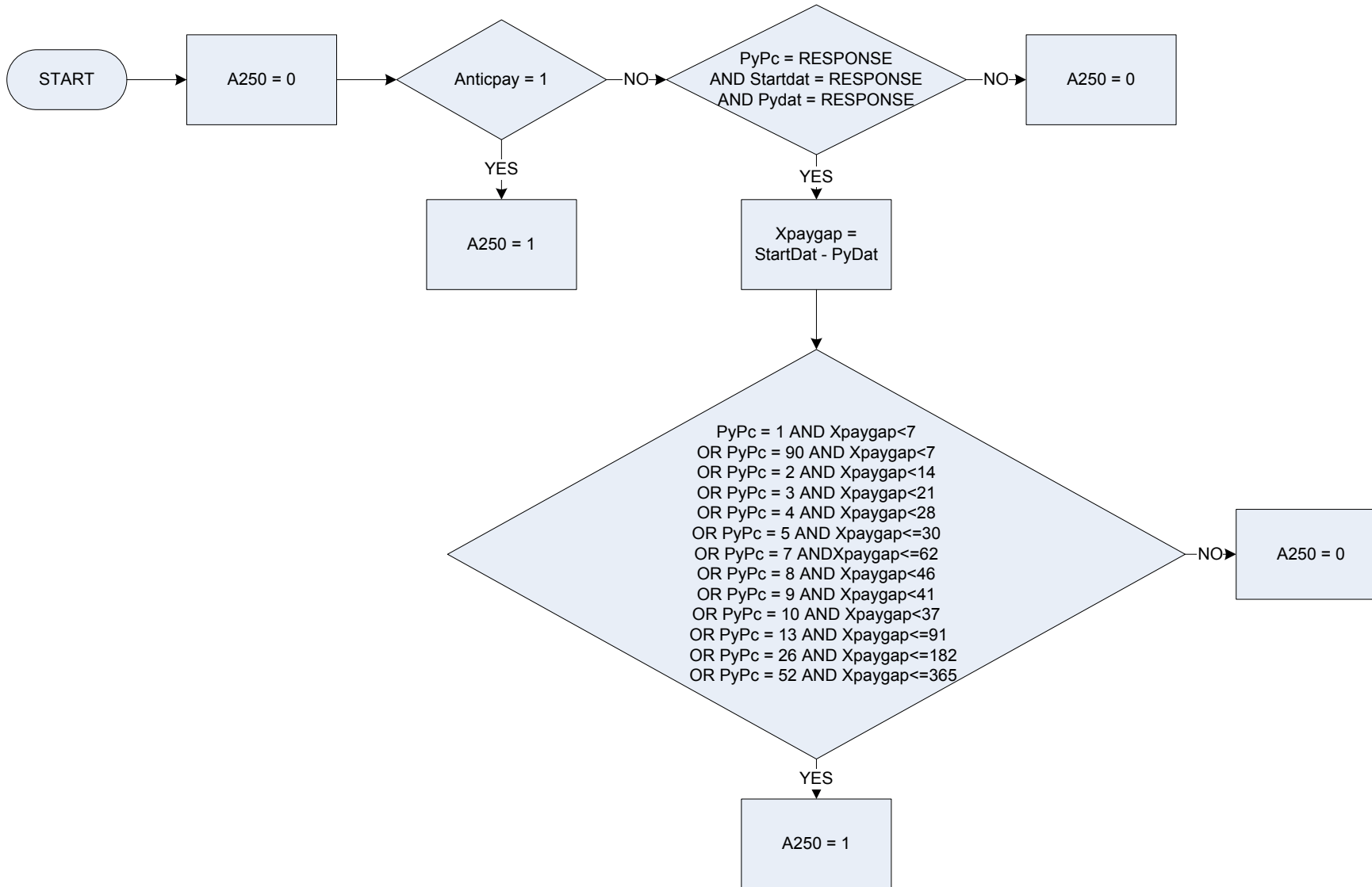
JobSki *Jobskills*
Bridge *Bridge to employment*
EntUls *Enterprise Ulster*
WrkTrk *Worktrack*
GradTP *Graduate Training Programme*
NewD *New Deal for 18-24 year olds*
Other *Other government scheme*

NewDopt

Which New Deal option Was respondent most recently on?

Gate *The Gateway*
Emp *Employment Option*
Educ *Full-time education or training*
Vol *Voluntary sector*
Env *Environmental task force*

A250 – Main job – last pay was received in specified time period

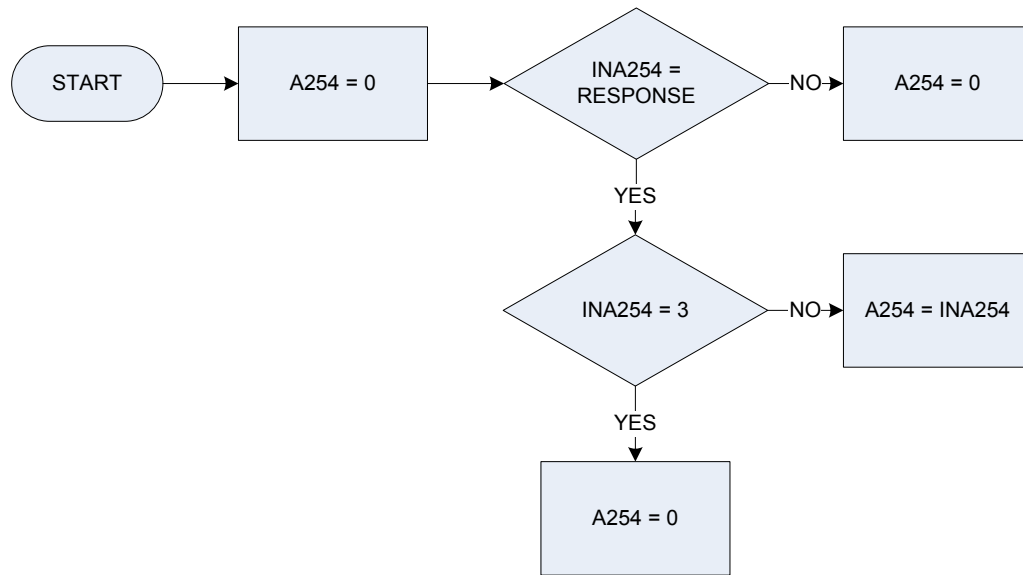


A250 – Main job – last pay was received in specified time period

KEY

A250	Main job – last pay was received in specified time period
0	<i>Not recorded</i>
1	<i>Received</i>
Anticpay	If in new job & not yet paid anticipated pay given
1	<i>Anticipated pay to be given</i>
2	<i>Others</i>
PyPc	How long did LAST take home pay cover?
1	<i>Less than a week</i>
90	<i>Less than a week</i>
2	<i>2 weeks</i>
3	<i>3 weeks</i>
4	<i>4 weeks</i>
5	<i>Calendar month</i>
7	<i>2 calendar months</i>
8	<i>8 times a year</i>
9	<i>9 times a year</i>
10	<i>10 times a year</i>
13	<i>3 months/13 week</i>
26	<i>6 months/26 weeks</i>
52	<i>1 year, 12 months, 52 weeks</i>
Pydat	Date last paid (or expect to be paid) a wage or salary
Startdat	Date when interview with this household was started
Xpaygap	Temporary variable used in calculations - Number of days between last pay date and interview with household

A254 – Last take home pay – normal/not normal amount



KEY

A254 Last take home pay – is this the amount usually received by respondent?

0 Not recorded

1 Normal

2 Not normal

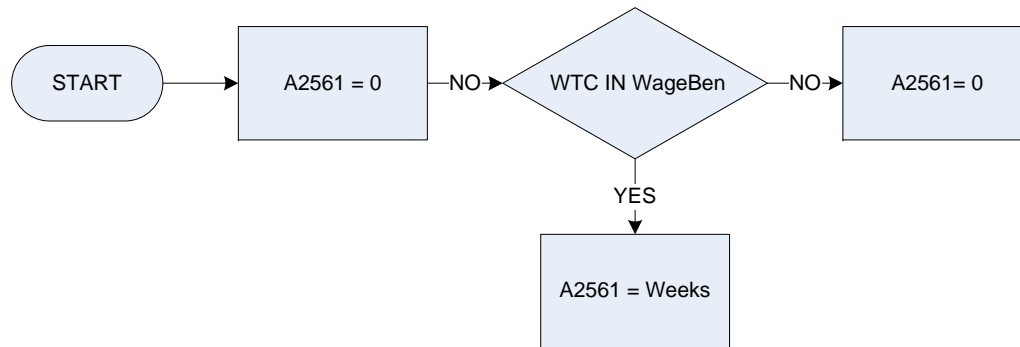
INA254 Was the last take home pay the amount the respondent usually receives?

1 Yes

2 No

3 No usual amount

A2561 – Working Tax Credits – time received



KEY

WageBen

Is the respondent at present receiving any of these state benefits in their own right, that is where they are the named recipient?

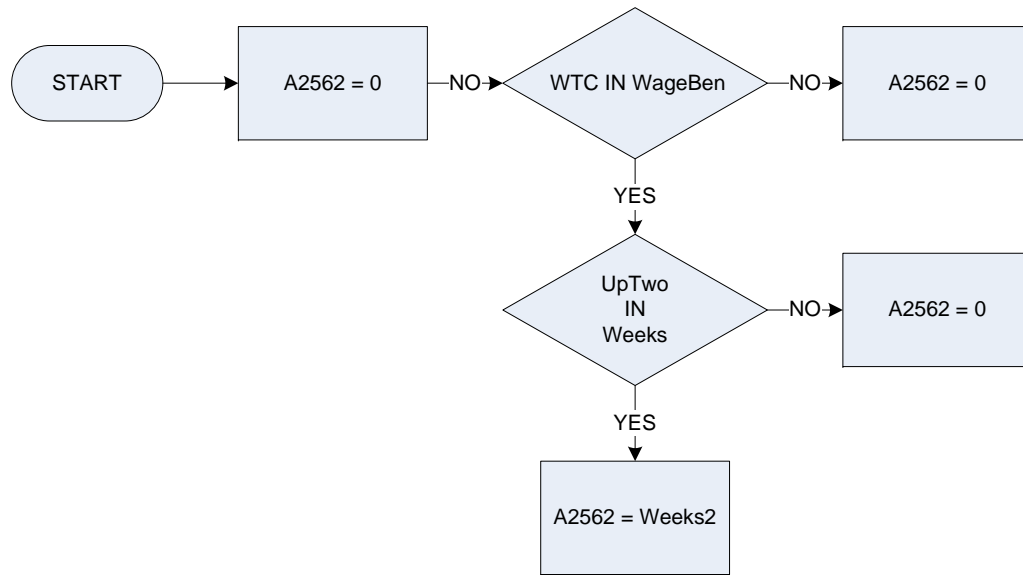
- UniCred** *Universal Credit*
- HousBen** *Housing Benefit*
- WTC** *Working Tax Credit (excluding any childcare element of Working Tax Credit)*
- CTC** *Child Tax Credit (including any childcare element of Working Tax Credit)*
- IncSupp** *Income Support*
- JSA** *Jobseeker's Allowance*
- ESA** *Employment and Support Allowance*
- CareAll** *Carer's Allowance*
- None** *None of these*

Weeks

For how long has the respondent been on this benefit?

- UpTwo** *Up to 2 years*
- LesThre** *2 years but less than 3*
- LesFour** *3 years but less than 4*
- LesFiv** *4 years but less than 5*
- MoreFiv** *5 or more years*

A2562 – Working Tax Credits – number of weeks received (up to two years)



KEY

WageBen

Is the respondent at present receiving any of these state benefits in their own right, that is where they are the named recipient?

- UniCred** Universal Credit
- HousBen** Housing Benefit
- WTC** Working Tax Credit (excluding any childcare element of Working Tax Credit)
- CTC** Child Tax Credit (including any childcare element of Working Tax Credit)
- IncSupp** Income Support
- JSA** Jobseeker's Allowance
- ESA** Employment and Support Allowance
- CareAll** Carer's Allowance
- None** None of these

Weeks

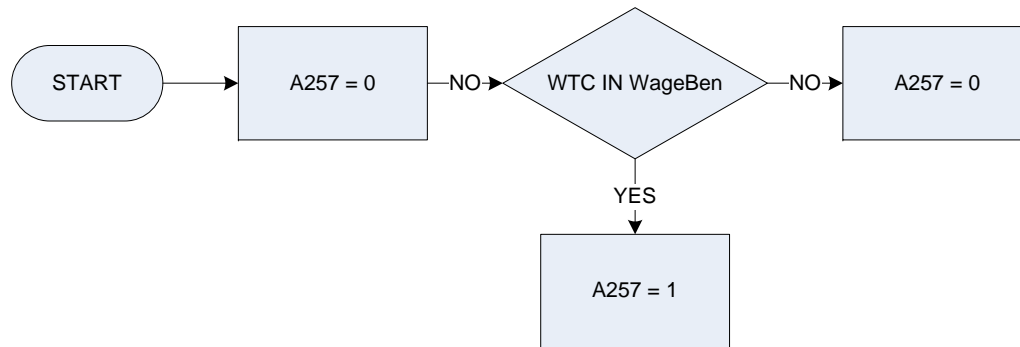
For how long has the respondent been on this benefit?

- UpTwo** Up to 2 years
- LesThre** 2 years but less than 3
- LesFour** 3 years but less than 4
- LesFiv** 4 years but less than 5
- MoreFiv** 5 or more years

Weeks2

For how many weeks has the respondent been on this benefit?

A257 – Working Tax Credits – receiving at present



KEY

A257

Working Family Tax Credit / Working Tax Credit - receiving at present

0 Not applicable

1 Receiving at present

WageBen

Is the respondent at present receiving any of these state benefits in their own right, that is where they are the named recipient?

UniCred Universal Credit

HousBen Housing Benefit

WTC Working Tax Credit (excluding any childcare element of Working Tax Credit)

CTC Child Tax Credit (including any childcare element of Working Tax Credit)

IncSupp Income Support

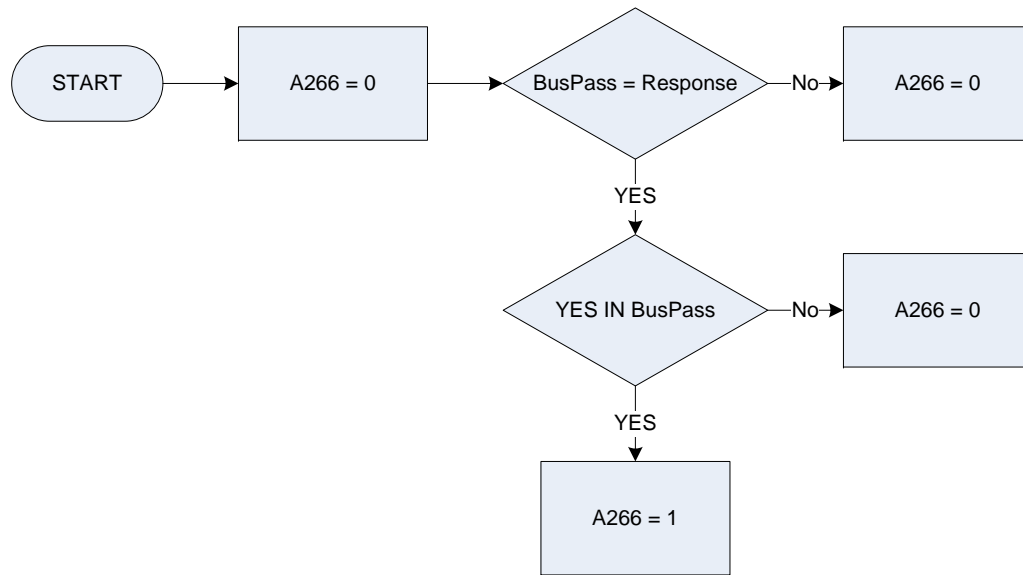
JSA Jobseeker's Allowance

ESA Employment and Support Allowance

CareAll Carer's Allowance

None None of these

A266 – OAP concessionary bus pass



KEY

A266

OAP concessionary bus pass

0 Not owned

1 Owned

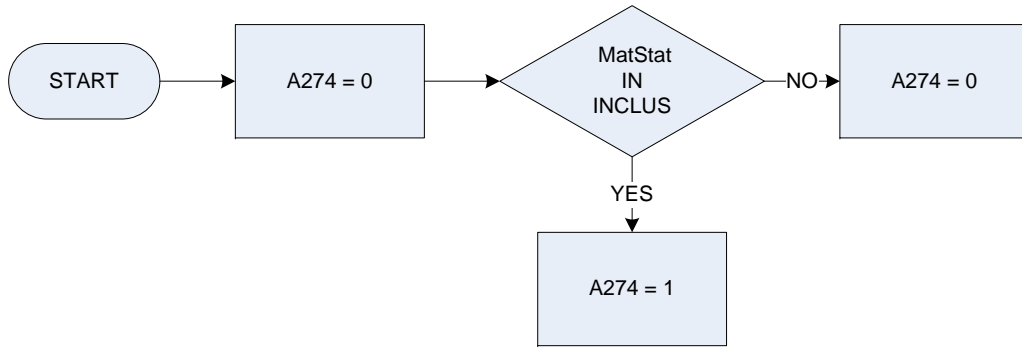
BusPass

At present do you have an older person's concessionary bus pass?

Yes Yes

No No

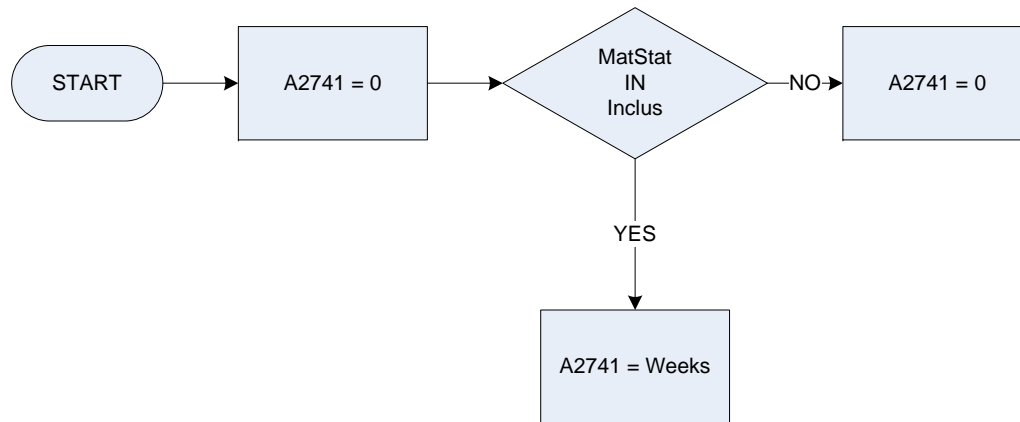
A274 – Statutory maternity pay – received at present



KEY

A274	Statutory maternity pay received at present
0	<i>Not applicable</i>
1	<i>Receiving at present</i>
INCLUS	Did the respondents last wage/salary include any of these items?
StatSick	Statutory Sick Pay
MatStat	Statutory Maternity Pay
PatStat	Statutory Paternity Pay
AdopStat	Statutory Adoption Pay
TaxRefnd	Income Tax Refund
MileAllw	Mileage Allowance or fixed allowance for motoring
MotExpen	Motoring Expenses Refund
None	None of these

A2741 – Statutory maternity pay – time received



KEY

Includ

Did the respondent's last wage/salary include any of these items?

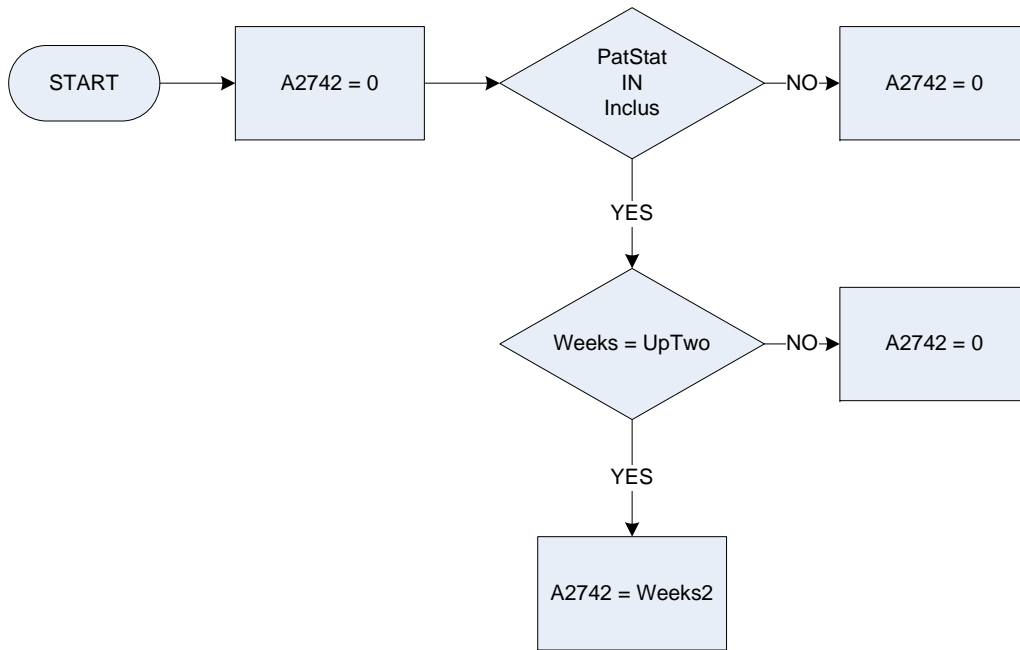
- StatSick** Statutory Sick Pay
- MatStat** Statutory Maternity Pay
- PatStat** Statutory Paternity Pay
- AdopStat** Statutory Adoption Pay
- TaxRefnd** Income Tax Refund
- MileAllw** Mileage Allowance or fixed allowance for motoring
- MotExpen** Motoring Expenses Refund
- None** None of these

Weeks

For how long has the respondent been on this benefit?

- 1** Up to 2 years
- 2** 2 years but less than 3
- 3** 3 years but less than 4
- 4** 4 years but less than 5
- 5** 5 or more years

A2742 – Statutory maternity pay - number of weeks received (up to 2 years)



KEY

Inclus

Did the respondent's last wage/salary include any of these items?

- StatSick** Statutory Sick Pay
- MatStat** Statutory Maternity Pay
- PatStat** Statutory Paternity Pay
- AdopStat** Statutory Adoption Pay
- TaxRefnd** Income Tax Refund
- MileAllw** Mileage Allowance or fixed allowance for motoring
- MotExpen** Motoring Expenses Refund
- None** None of these

Weeks

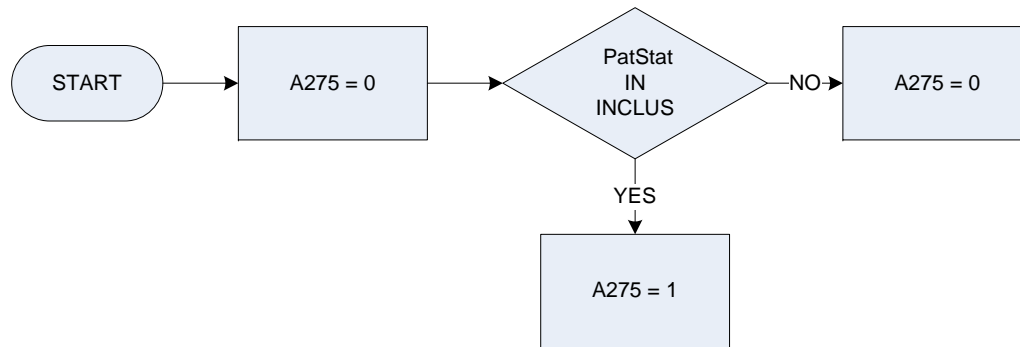
For how long has the respondent been on this benefit?

- UpTwo** Up to 2 years
- LesThre** 2 years but less than 3
- LesFour** 3 years but less than 4
- LesFiv** 4 years but less than 5
- MoreFiv** 5 or more years

Weeks2

For how many weeks has the respondent been on this benefit?

A275 – Statutory paternity pay – received at present



KEY

A275

Statutory paternity pay received at present

0 *Not applicable*

1 *Receiving at present*

INCLUS

Did the respondents last wage/salary include any of these items?

StatSick Statutory Sick Pay

MatStat Statutory Maternity Pay

PatStat Statutory Paternity Pay

AdopStat Statutory Adoption Pay

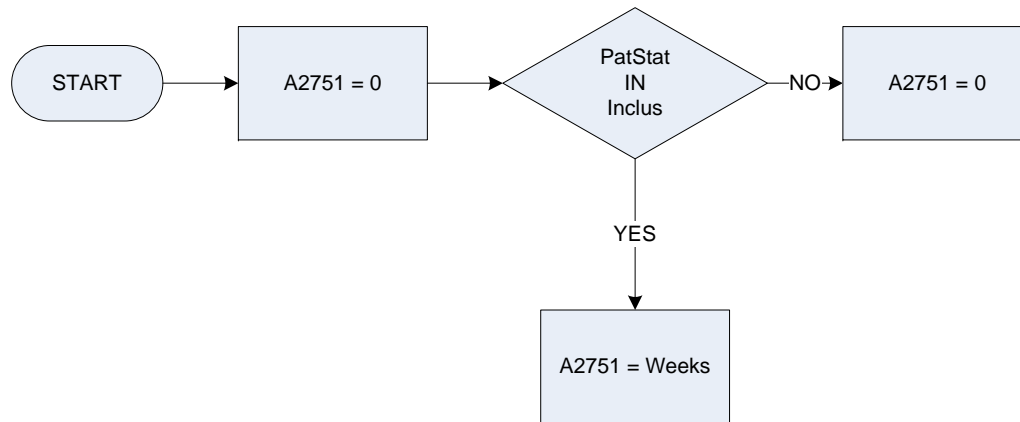
TaxRefnd Income Tax Refund

MileAllw Mileage Allowance or fixed allowance for motoring

MotExpen Motoring Expenses Refund

None None of these

A2751 – Statutory paternity pay – time received



KEY

Includ

Did the respondent's last wage/salary include any of these items?

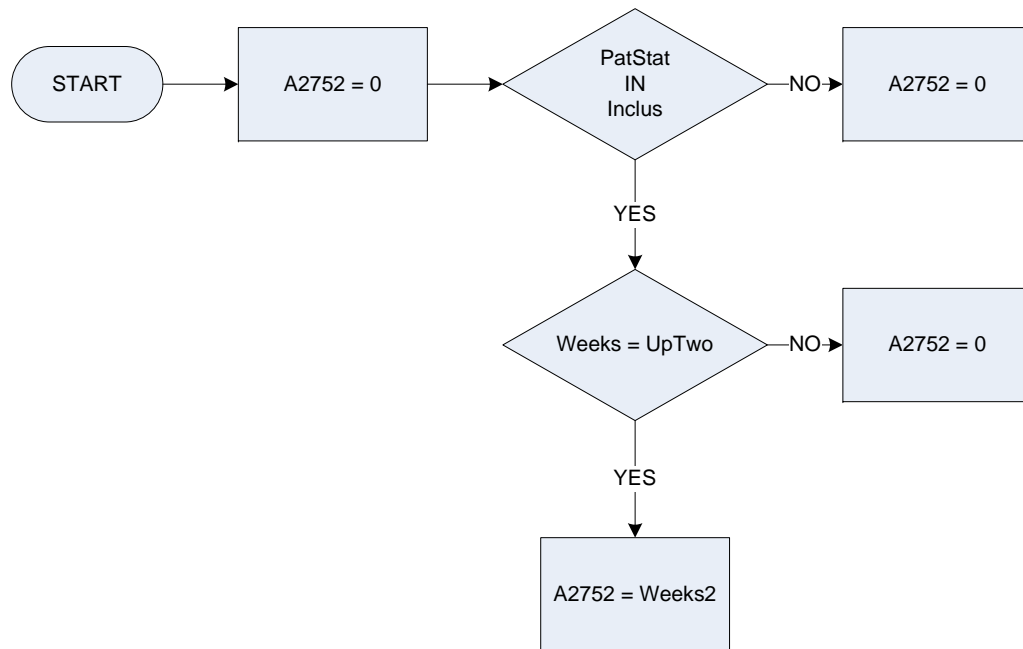
- StatSick** Statutory Sick Pay
- MatStat** Statutory Maternity Pay
- PatStat** Statutory Paternity Pay
- AdopStat** Statutory Adoption Pay
- TaxRefnd** Income Tax Refund
- MileAllw** Mileage Allowance or fixed allowance for motoring
- MotExpen** Motoring Expenses Refund
- None** None of these

Weeks

For how long has the respondent been on this benefit?

- 1** Up to 2 years
- 2** 2 years but less than 3
- 3** 3 years but less than 4
- 4** 4 years but less than 5
- 5** 5 or more years

A2752 – Statutory paternity pay - number of weeks received (up to 2 years)



KEY

Inclus

Did the respondent's last wage/salary include any of these items?

- StatSick** Statutory Sick Pay
- MatStat** Statutory Maternity Pay
- PatStat** Statutory Paternity Pay
- AdopStat** Statutory Adoption Pay
- TaxRefnd** Income Tax Refund
- MileAllw** Mileage Allowance or fixed allowance for motoring
- MotExpen** Motoring Expenses Refund
- None** None of these

Weeks

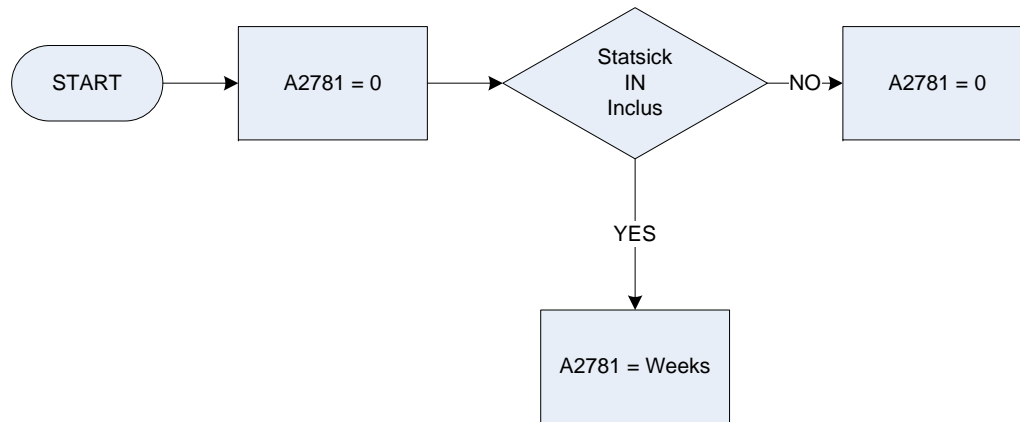
For how long has the respondent been on this benefit?

- UpTwo** Up to 2 years
- LesThre** 2 years but less than 3
- LesFour** 3 years but less than 4
- LesFiv** 4 years but less than 5
- MoreFiv** 5 or more years

Weeks2

For how many weeks has the respondent been on this benefit?

A2781 – Statutory sick pay – time received



KEY

Includ

Did the respondent's last wage/salary include any of these items?

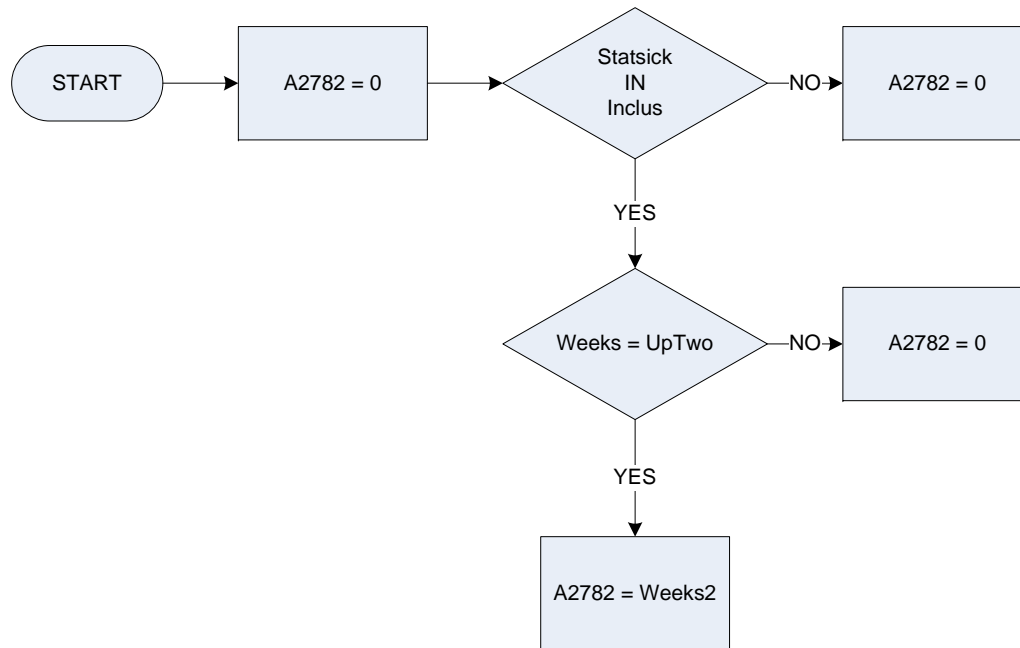
- StatSick** Statutory Sick Pay
- MatStat** Statutory Maternity Pay
- PatStat** Statutory Paternity Pay
- AdopStat** Statutory Adoption Pay
- TaxRefnd** Income Tax Refund
- MileAllw** Mileage Allowance or fixed allowance for motoring
- MotExpen** Motoring Expenses Refund
- None** None of these

Weeks

For how long has the respondent been on this benefit?

- 1** Up to 2 years
- 2** 2 years but less than 3
- 3** 3 years but less than 4
- 4** 4 years but less than 5
- 5** 5 or more years

A2782 – Statutory sick pay - number of weeks received (up to 2 years)



KEY

Inclus

Did the respondent's last wage/salary include any of these items?

- StatSick** Statutory Sick Pay
- MatStat** Statutory Maternity Pay
- PatStat** Statutory Paternity Pay
- AdopStat** Statutory Adoption Pay
- TaxRefnd** Income Tax Refund
- MileAllw** Mileage Allowance or fixed allowance for motoring
- MotExpen** Motoring Expenses Refund
- None** None of these

Weeks

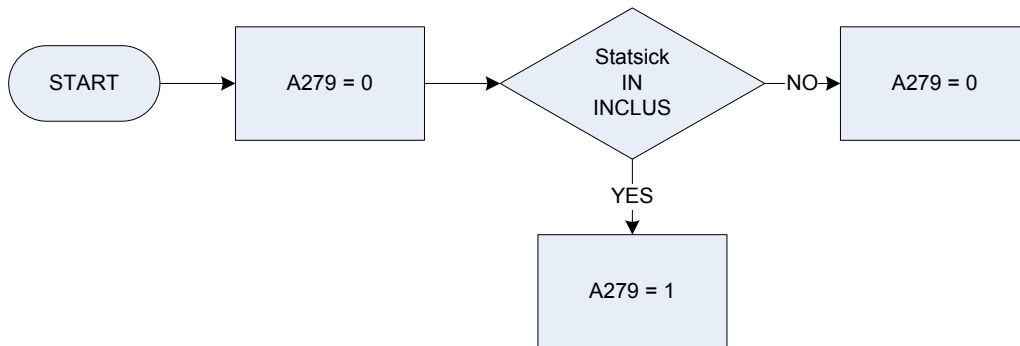
For how long has the respondent been on this benefit?

- UpTwo** Up to 2 years
- LesThre** 2 years but less than 3
- LesFour** 3 years but less than 4
- LesFiv** 4 years but less than 5
- MoreFiv** 5 or more years

Weeks2

For how many weeks has the respondent been on this benefit?

A279 – Statutory sick pay – receiving at present



KEY

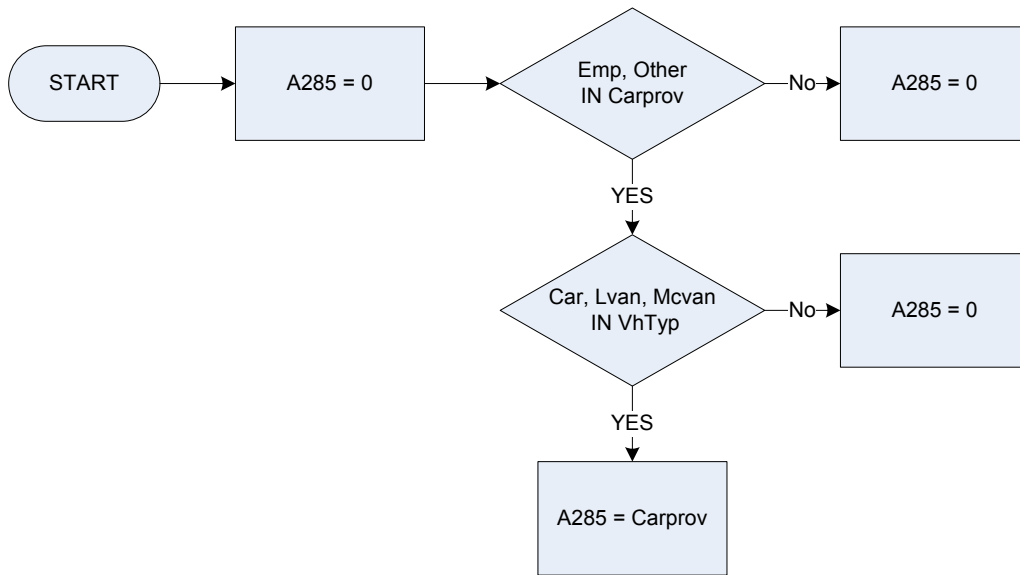
A279

Statutory sick pay - receiving at present
0 Not applicable
1 Receiving at present

INCLUS

Did the respondent's last wage/salary include any of these items?
StatSick Statutory Sick Pay
MatStat Statutory Maternity Pay
PatStat Statutory Paternity Pay
AdopStat Statutory Adoption Pay
TaxRefnd Income Tax Refund
MileAllw Mileage Allowance or fixed allowance for motoring
MotExpen Motoring Expenses Refund
None None of these

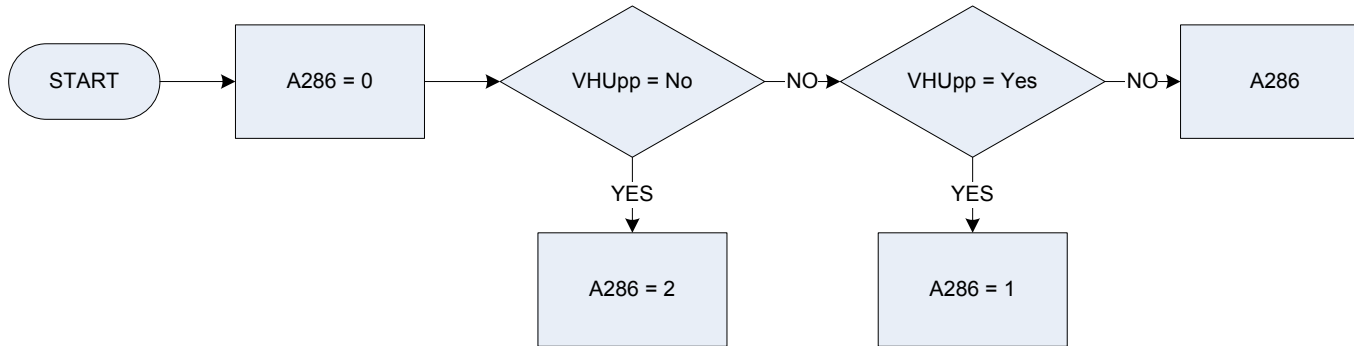
A285 – Company car/van provided by employer



KEY

A285	Company car van provided by employer 0 Not recorded 1 Employer sp.employer 2 Other
Carprov	Is this vehicle provided for the respondent's continuous use by: their employer or spouse's employer; or someone else? Emp their employer or spouse's employer; Other someone else
VhTyp	Was the respondent's vehicle car a car lvan a light van mcycle a motor cycle mcvan a motor caravan other or some other motor vehicle?
Person	Who sold/owns/uses this vehicle?

A286 – Company provided petrol for private use



KEY

A286

Company provided petrol for private use

0 Not recorded

1 Petrol provided

2 Petrol not provided

Person

VHUp

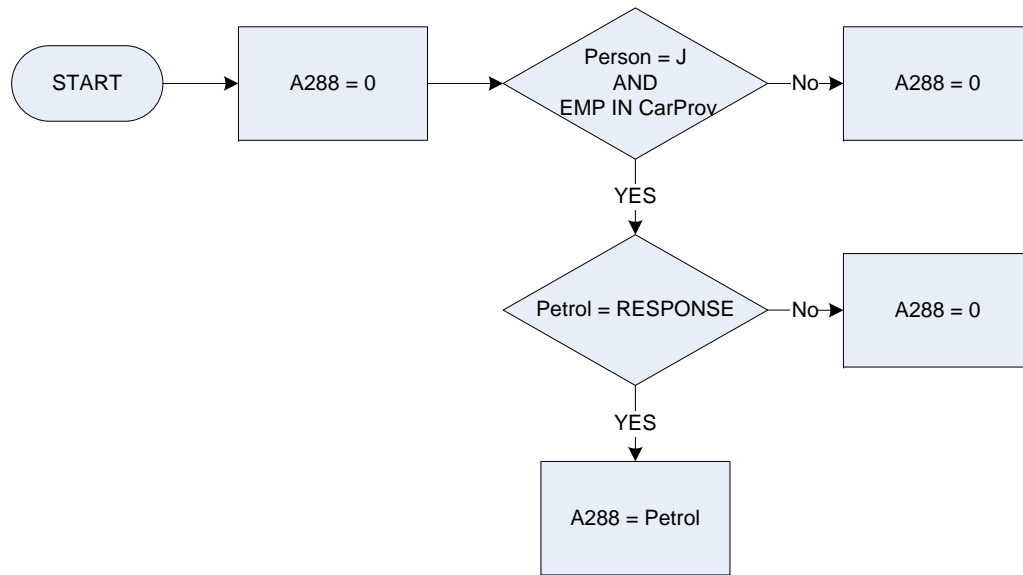
Who sold/owns/uses this vehicle?

Does an employer pay for any of the fuel for your private motoring in this vehicle?

1 Yes

2 No

A288 – Type of fuel for company owned vehicles



KEY

A288

Type of fuel for company owned vehicles

- 0 Not recorded
- 1 Petrol-company car
- 2 Diesel-company car
- 3 Liquefied petroleum gas (LPG)
- 4 Biofuel e.g. E85 fuel
- 5 Hybrid (use a combination of petrol and electricity)
- 6 Electricity
- 7 or something else

Person CarProv

Who sold/owns/uses this vehicle?

Is this vehicle provided for the respondent's continuous use by: their employer or spouse's employer; or someone else?

Emp their employer or spouse's employer

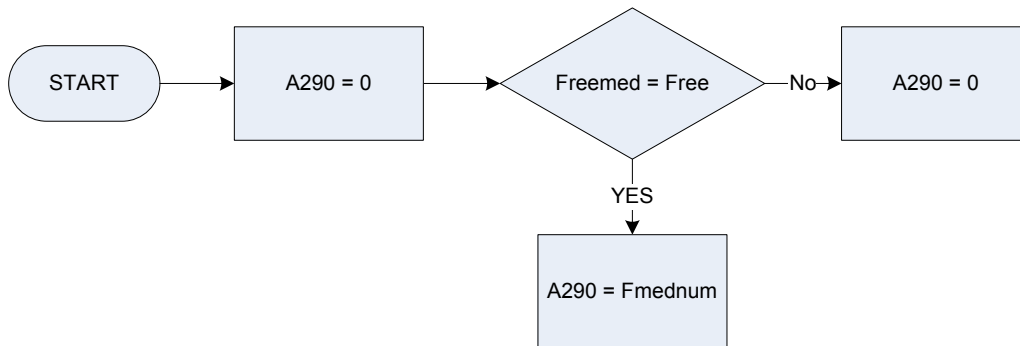
Other or someone else?

Petrol

Does the vehicle run on:

- 1 Petrol
- 2 Diesel
- 3 Liquefied petroleum gas (LPG)
- 4 Biofuel e.g. E85 fuel
- 5 Hybrid (use a combination of petrol and electricity)
- 6 Electricity
- 7 Or something else?

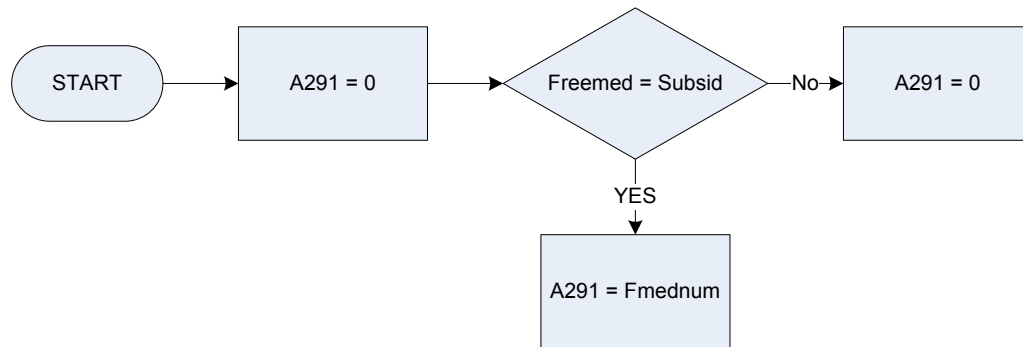
A290 – Number of persons receiving free medical insurance



KEY

Freemed	Does the respondent's employer provide or pay for any free or subsidised medical insurance?
Free	<i>Free Medical insurance</i>
Subsid	<i>Subsidised medical insurance</i>
Neither	<i>Neither</i>
Fmednum	How many people (adults and children) in the household does it cover?

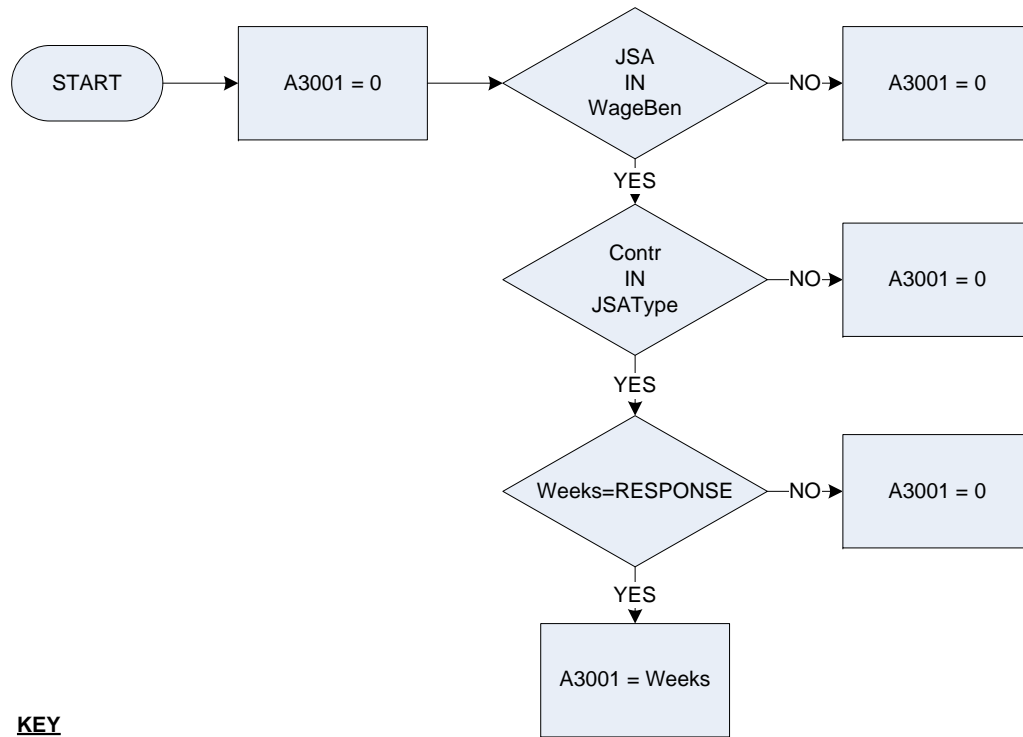
A291 – Number of persons receiving subsidised medical insurance



KEY

Freemed	Does the respondent's employer provide or pay for any free or subsidised medical insurance?
Free	<i>Free Medical insurance</i>
Subsid	<i>Subsidised medical insurance</i>
Neither	<i>Neither</i>
Fmednum	How many people (adults and children) in the household does it cover?

A3001 – Jobseeker’s Allowance (contribution based) – time received



KEY

JSAType

There are two types of Jobseeker's Allowance. Is the Allowance the respondent has received:

- Contr** Contributory, that is based on their N.I. contributions,
- Incom** Income-related, which is based on an assessment of their income?
- Comb** A combination of 'contributory' and 'income related'?

WageBen

Is the respondent at present receiving any of these benefits in their own right, that is where they are the named recipient?

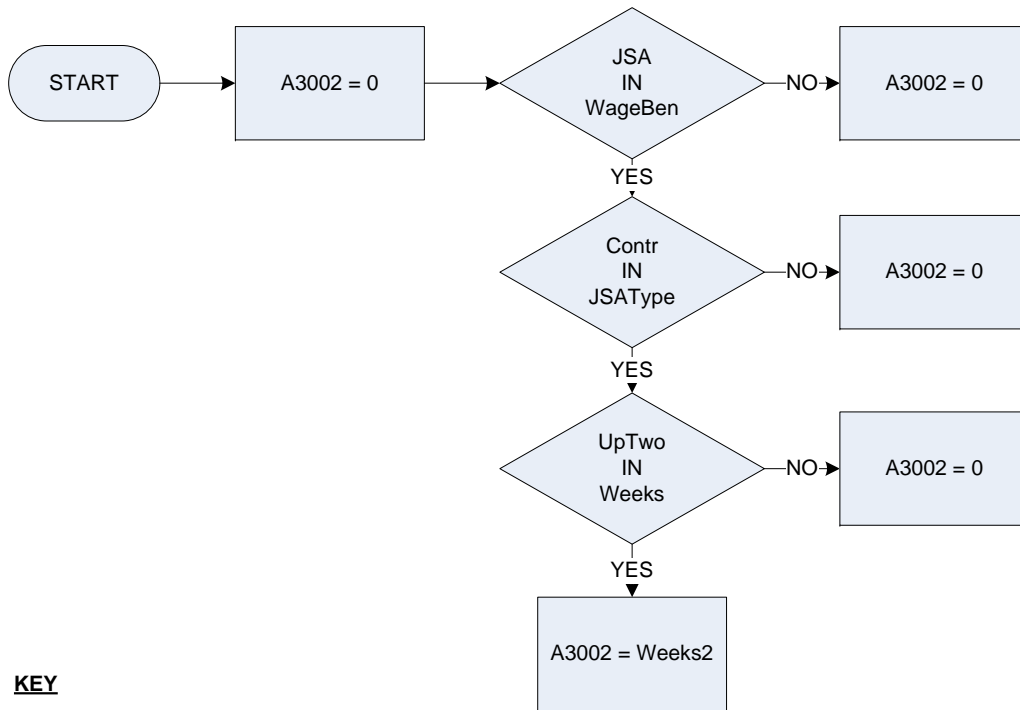
- UniCred** Universal Credit
- HousBen** Housing Benefit
- WTC** Working Tax Credit (excluding any childcare element of Working Tax Credit)
- CTC** Child Tax Credit (including any childcare element of Working Tax Credit)
- IncSupp** Income Support
- JSA** Jobseeker's Allowance
- ESA** Employment and Support Allowance
- CareAll** Carer's Allowance
- None** None of these

Weeks

For how long has the respondent been on this benefit?

- 1** Up to 2 years
- 2** 2 years but less than 3
- 3** 3 years but less than 4
- 4** 4 years but less than 5
- 5** 5 or more years

A3002 – Jobseeker’s Allowance (contribution based) - number of weeks received (up to 2 years)



KEY

JSAType

There are two types of Jobseeker's Allowance. Is the Allowance the respondent has received:

- Contr** *Contributory, that is based on their N.I. contributions,*
- Incom** *Income-related, which is based on an assessment of their income?*
- Comb** *A combination of 'contributory' and 'income related'?*

WageBen

Is the respondent at present receiving any of these benefits in their own right, that is where they are the named recipient?

- UniCred** *Universal Credit*
- HousBen** *Housing Benefit*
- WTC** *Working Tax Credit (excluding any childcare element of Working Tax Credit)*
- CTC** *Child Tax Credit (including any childcare element of Working Tax Credit)*
- IncSupp** *Income Support*
- JSA** *Jobseeker's Allowance*
- ESA** *Employment and Support Allowance*
- CareAll** *Carer's Allowance*
- None** *None of these*

Weeks

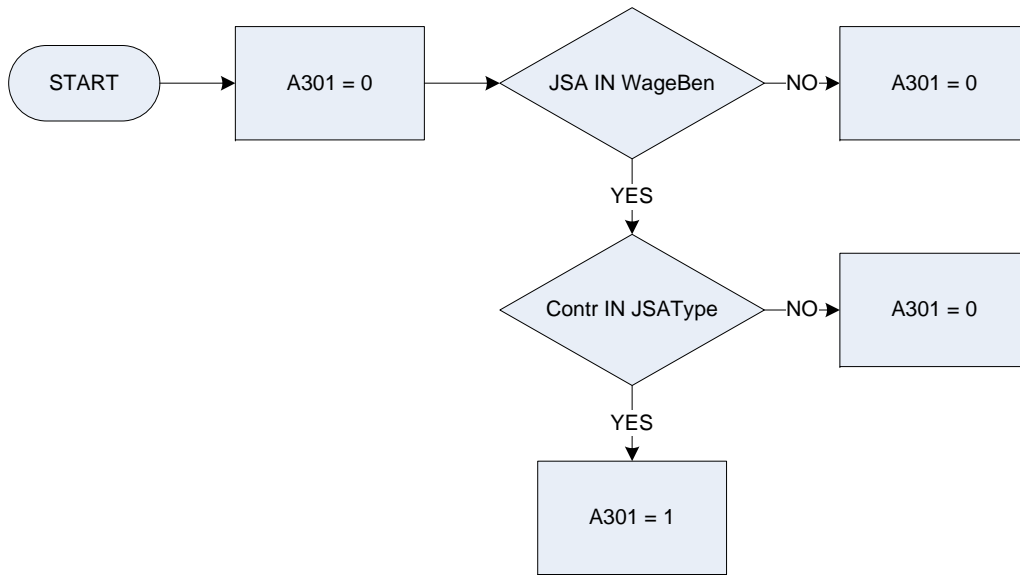
For how long has the respondent been on this benefit?

- UpTwo** *Up to 2 years*
- LesThre** *2 years but less than 3*
- LesFour** *3 years but less than 4*
- LesFiv** *4 years but less than 5*
- MoreFiv** *5 or more years*

Weeks2

For how many weeks has the respondent been on this benefit?

A301 – Jobseeker’s Allowance (contribution based) – receiving at present



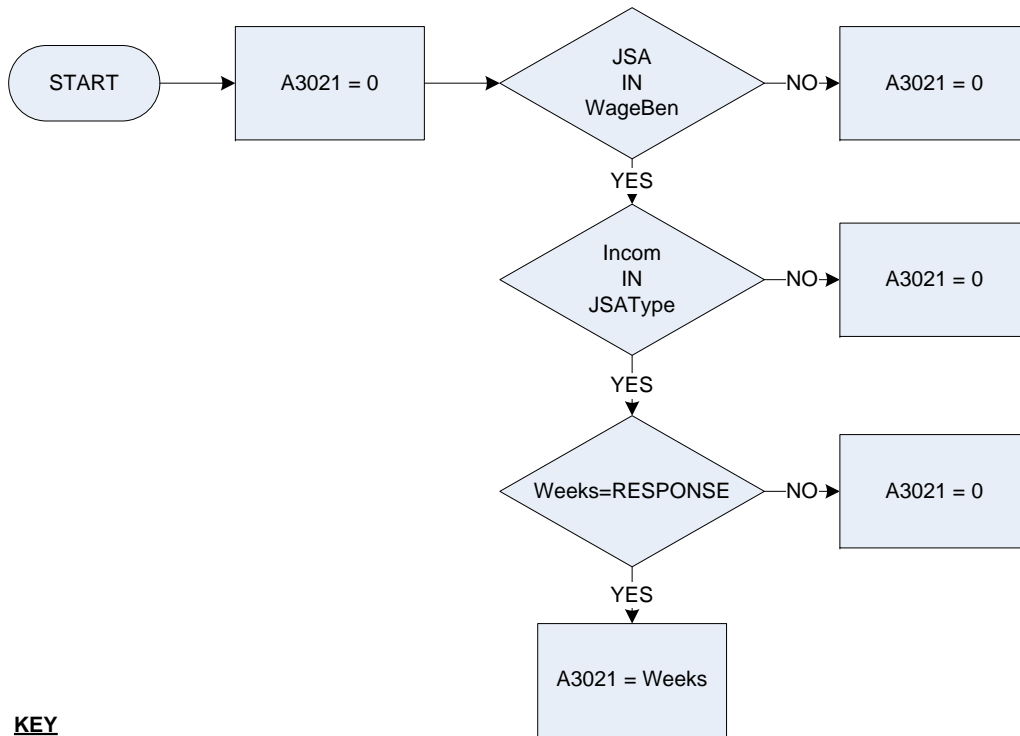
KEY

A301 JSA (contribution based) - receiving at present
0 Not applicable
1 Receiving at present

WageBen Is the respondent at present receiving any of these state benefits in their own right, that is where they are the named recipient?
UniCred Universal Credit
HousBen Housing Benefit
WTC Working Tax Credit (excluding any childcare element of Working Tax Credit)
CTC Child Tax Credit (including any childcare element of Working Tax Credit)
IncSupp Income Support
JSA Jobseeker's Allowance
ESA Employment and Support Allowance
CareAll Carer's Allowance
None None of these

JSAType There are two types of Jobseeker's Allowance. Is the Allowance the respondent has received:
Contr Contributory, that is based on their N.I. contributions,
Incom Income-related, which is based on an assessment of their income?
Comb A combination of 'contributory' and 'income related'?

A3021 – Jobseeker’s Allowance (income based) – time received



KEY

JSAType

There are two types of Jobseeker's Allowance. Is the Allowance the respondent has received:

- Contr** *Contributory, that is based on their N.I. contributions,*
- Incom** *Income-related, which is based on an assessment of their income?*
- Comb** *A combination of 'contributory' and 'income related'?*

WageBen

Is the respondent at present receiving any of these benefits in their own right, that is where they are the named recipient?

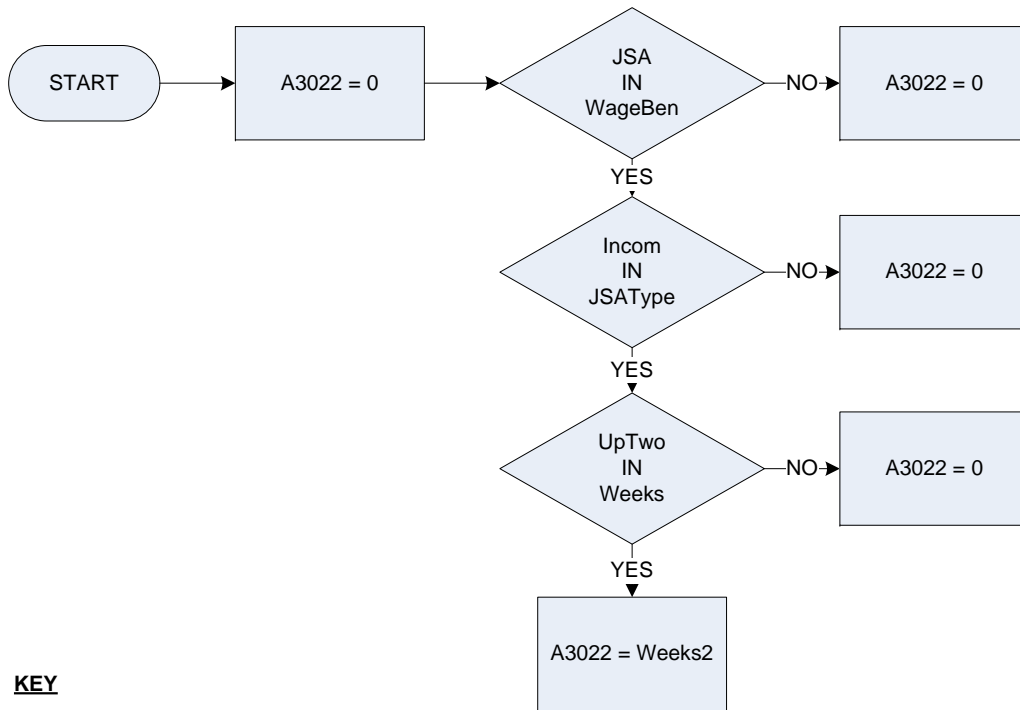
- UniCred** *Universal Credit*
- HousBen** *Housing Benefit*
- WTC** *Working Tax Credit (excluding any childcare element of Working Tax Credit)*
- CTC** *Child Tax Credit (including any childcare element of Working Tax Credit)*
- IncSupp** *Income Support*
- JSA** *Jobseeker's Allowance*
- ESA** *Employment and Support Allowance*
- CareAll** *Carer's Allowance*
- None** *None of these*

Weeks

For how long has the respondent been on this benefit?

- 1** *Up to 2 years*
- 2** *2 years but less than 3*
- 3** *3 years but less than 4*
- 4** *4 years but less than 5*
- 5** *5 or more years*

A3022 – Jobseeker’s Allowance (income based) - number of weeks received (up to 2 years)



KEY

JSAType

There are two types of Jobseeker's Allowance. Is the Allowance the respondent has received:

- Contr** *Contributory, that is based on their N.I. contributions,*
- Incom** *Income-related, which is based on an assessment of their income?*
- Comb** *A combination of 'contributory' and 'income related'?*

WageBen

Is the respondent at present receiving any of these benefits in their own right, that is where they are the named recipient?

- UniCred** *Universal Credit*
- HousBen** *Housing Benefit*
- WTC** *Working Tax Credit (excluding any childcare element of Working Tax Credit)*
- CTC** *Child Tax Credit (including any childcare element of Working Tax Credit)*
- IncSupp** *Income Support*
- JSA** *Jobseeker's Allowance*
- ESA** *Employment and Support Allowance*
- CareAll** *Carer's Allowance*
- None** *None of these*

Weeks

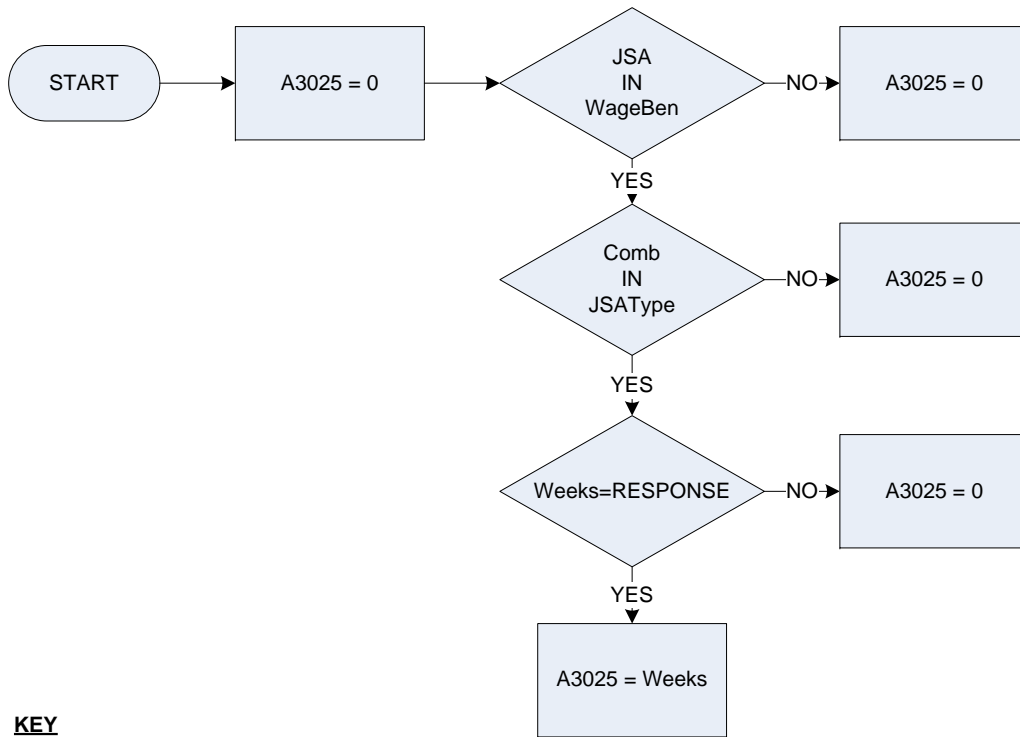
For how long has the respondent been on this benefit?

- UpTwo** *Up to 2 years*
- LesThre** *2 years but less than 3*
- LesFour** *3 years but less than 4*
- LesFiv** *4 years but less than 5*
- MoreFiv** *5 or more years*

Weeks2

For how many weeks has the respondent been on this benefit?

A3025 – Jobseeker’s Allowance (combination of income and contribution based) – time received



KEY

JSAType

There are two types of Jobseeker's Allowance. Is the Allowance the respondent has received:

- Contr** *Contributory, that is based on their N.I. contributions,*
- Incom** *Income-related, which is based on an assessment of their income?*
- Comb** *A combination of 'contributory' and 'income related'?*

WageBen

Is the respondent at present receiving any of these benefits in their own right, that is where they are the named recipient?

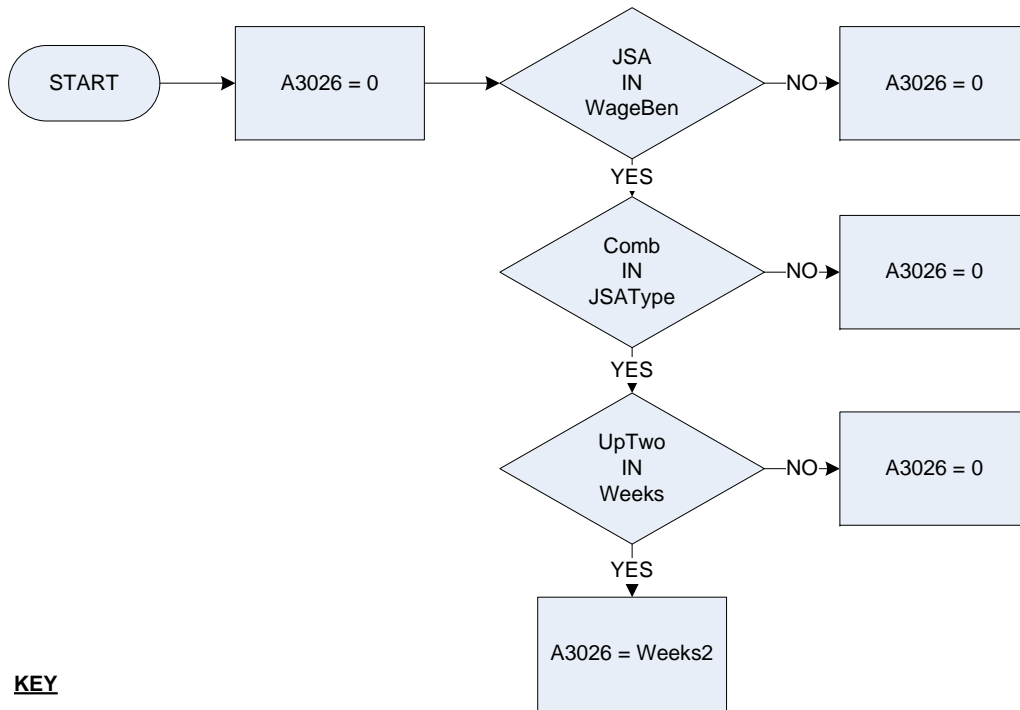
- UniCred** *Universal Credit*
- HousBen** *Housing Benefit*
- WTC** *Working Tax Credit (excluding any childcare element of Working Tax Credit)*
- CTC** *Child Tax Credit (including any childcare element of Working Tax Credit)*
- IncSupp** *Income Support*
- JSA** *Jobseeker's Allowance*
- ESA** *Employment and Support Allowance*
- CareAll** *Carer's Allowance*
- None** *None of these*

Weeks

For how long has the respondent been on this benefit?

- 1** *Up to 2 years*
- 2** *2 years but less than 3*
- 3** *3 years but less than 4*
- 4** *4 years but less than 5*
- 5** *5 or more years*

A3026 – Jobseeker’s Allowance (combination of income and contribution based) - number of weeks received (up to 2 years)



KEY

JSAType

There are two types of Jobseeker's Allowance. Is the Allowance the respondent has received:

- Contr** *Contributory, that is based on their N.I. contributions,*
- Incom** *Income-related, which is based on an assessment of their income?*
- Comb** *A combination of 'contributory' and 'income related'?*

WageBen

Is the respondent at present receiving any of these benefits in their own right, that is where they are the named recipient?

- UniCred** *Universal Credit*
- HousBen** *Housing Benefit*
- WTC** *Working Tax Credit (excluding any childcare element of Working Tax Credit)*
- CTC** *Child Tax Credit (including any childcare element of Working Tax Credit)*
- IncSupp** *Income Support*
- JSA** *Jobseeker's Allowance*
- ESA** *Employment and Support Allowance*
- CareAll** *Carer's Allowance*
- None** *None of these*

Weeks

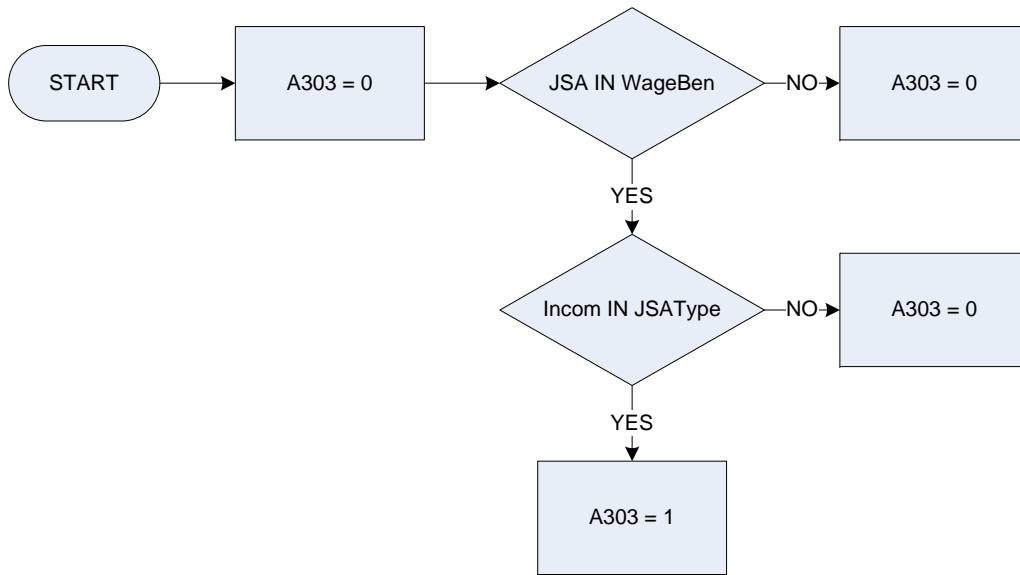
For how long has the respondent been on this benefit?

- UpTwo** *Up to 2 years*
- LesThre** *2 years but less than 3*
- LesFour** *3 years but less than 4*
- LesFiv** *4 years but less than 5*
- MoreFiv** *5 or more years*

Weeks2

For how many weeks has the respondent been on this benefit?

A303 – Jobseeker’s Allowance (income based) – receiving at present



KEY

A303 JSA(income based) - receiving at present
0 Not applicable
1 Receiving at present

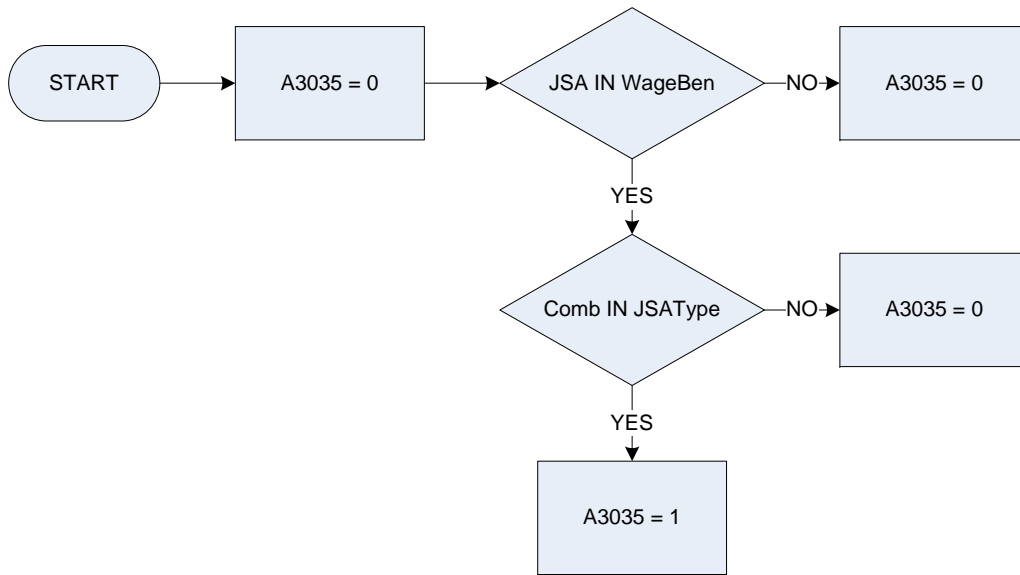
WageBen Is the respondent at present receiving any of these state benefits in their own right, that is where they are the named recipient?

UniCred Universal Credit
HousBen Housing Benefit
WTC Working Tax Credit (excluding any childcare element of Working Tax Credit)
CTC Child Tax Credit (including any childcare element of Working Tax Credit)
IncSupp Income Support
JSA Jobseeker's Allowance
ESA Employment and Support Allowance
CareAll Carer's Allowance
None None of these

JSAType There are two types of Jobseeker's Allowance. Is the Allowance the respondent has received:

Contr Contributory, that is based on their N.I. contributions,
Incom Income-related, which is based on an assessment of their income?
Comb A combination of 'contributory' and 'income related'?

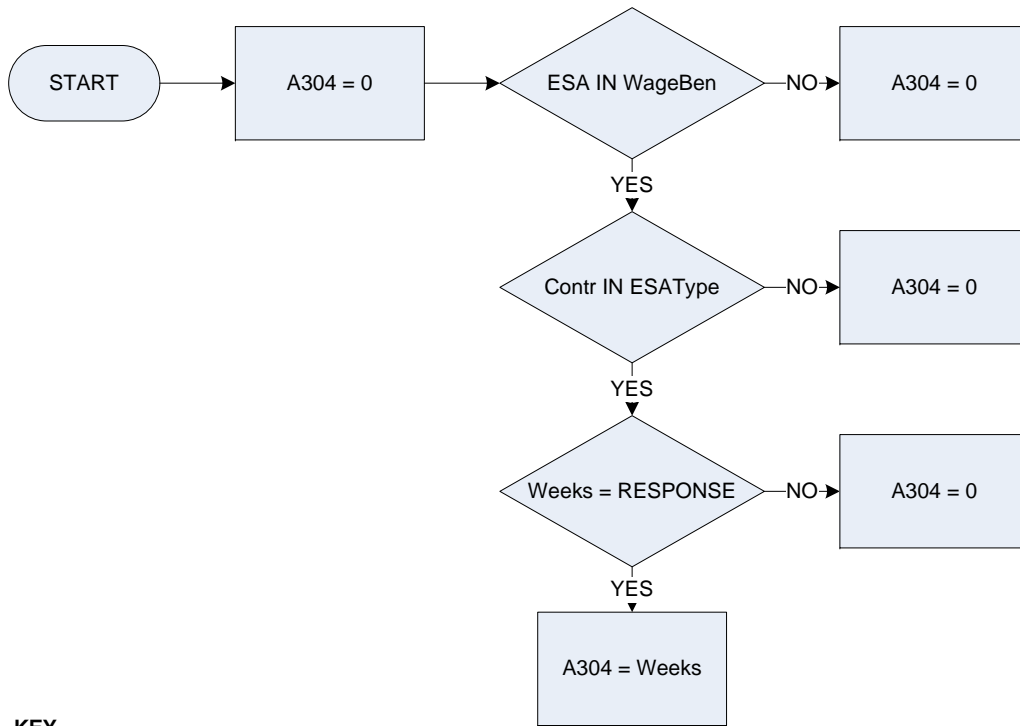
A3035 – Jobseeker’s Allowance (combination of income and contribution based) – receiving at present



KEY

- A3035** JSA (combination of income and contribution based) - receiving at present
 0 Not applicable
 1 Receiving at present
- WageBen** Is the respondent at present receiving any of these state benefits in their own right, that is where they are the named recipient?
UniCred Universal Credit
HousBen Housing Benefit
WTC Working Tax Credit (excluding any childcare element of Working Tax Credit)
CTC Child Tax Credit (including any childcare element of Working Tax Credit)
IncSupp Income Support
JSA Jobseeker's Allowance
ESA Employment and Support Allowance
CareAll Carer's Allowance
None None of these
- JSAType** There are two types of Jobseeker's Allowance. Is the Allowance the respondent has received:
Contr Contributory, that is based on their N.I. contributions,
Incom Income-related, which is based on an assessment of their income?
Comb A combination of 'contributory' and 'income related'?

A3041 – Employment and Support Allowance (contribution based) – time received



KEY

ESAType

There are two types of Employment and Support Allowance. Is the Allowance the respondent has received:

- Contr** Contributory, that is based on their N.I. contributions,
- Incom** Income-related, which is based on an assessment of their income?
- Comb** A combination of 'contributory' and 'income related'?

WageBen

Is the respondent at present receiving any of these benefits in their own right, that is where they are the named recipient?

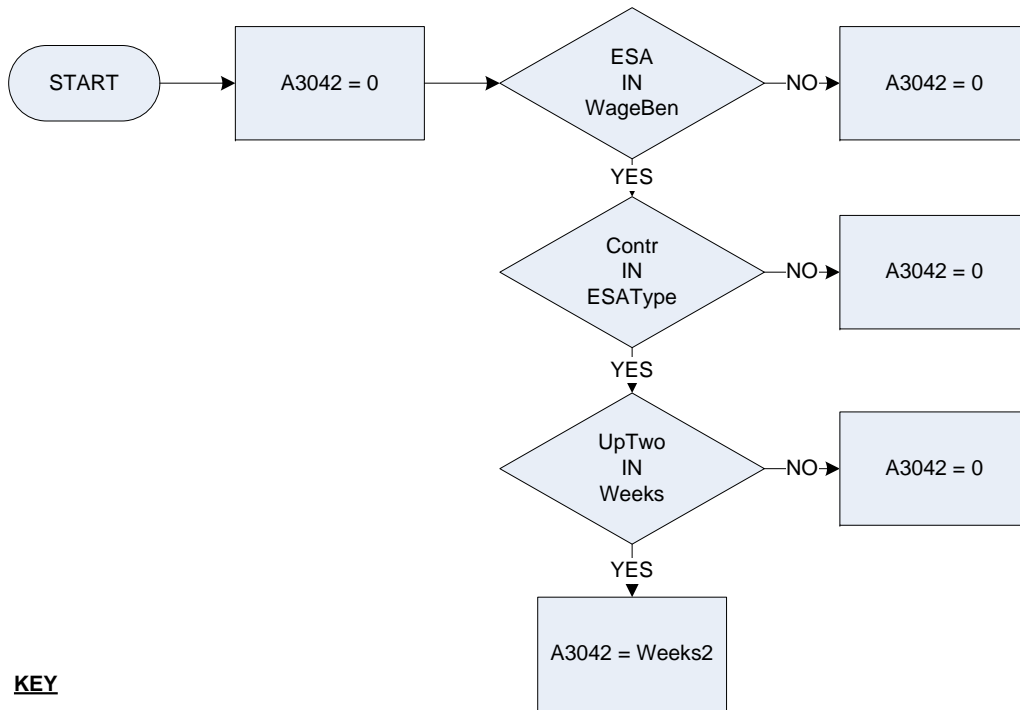
- UniCred** Universal Credit
- HousBen** Housing Benefit
- WTC** Working Tax Credit (excluding any childcare element of Working Tax Credit)
- CTC** Child Tax Credit (including any childcare element of Working Tax Credit)
- IncSupp** Income Support
- JSA** Jobseeker's Allowance
- ESA** Employment and Support Allowance
- CareAll** Carer's Allowance
- None** None of these

Weeks

For how long has the respondent been on this benefit?

- 1** Up to 2 years
- 2** 2 years but less than 3
- 3** 3 years but less than 4
- 4** 4 years but less than 5
- 5** 5 or more years

A3042 – Employment and Support Allowance (contribution based) - number of weeks received (up to 2 years)



KEY

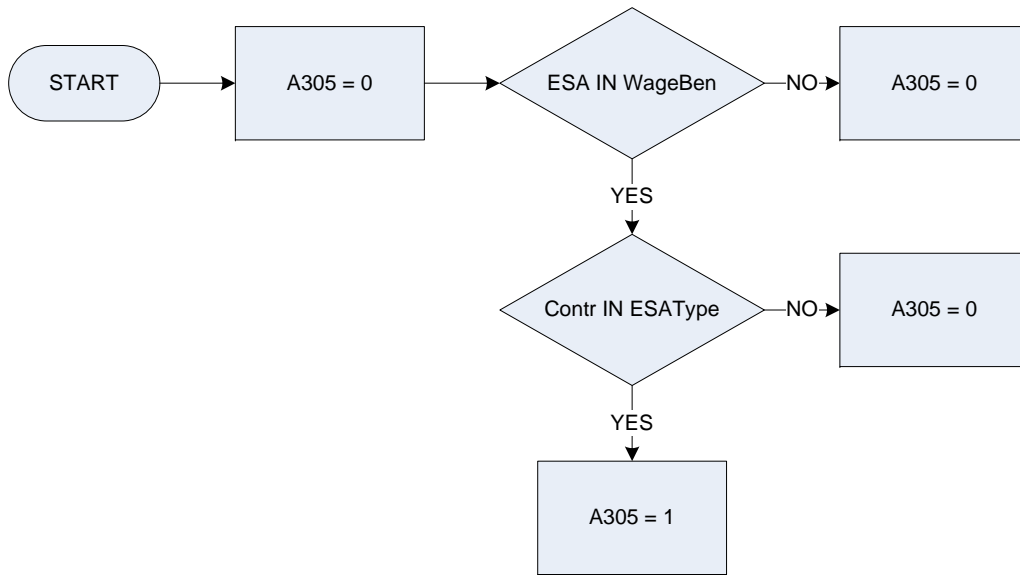
ESAType There are two types of Jobseeker's Allowance. Is the Allowance the respondent has received:
Contr Contributory, that is based on their N.I. contributions,
Incom Income-related, which is based on an assessment of their income?
Comb A combination of 'contributory' and 'income related'?

WageBen Is the respondent at present receiving any of these benefits in their own right, that is where they are the named recipient?
UniCred Universal Credit
HousBen Housing Benefit
WTC Working Tax Credit (excluding any childcare element of Working Tax Credit)
CTC Child Tax Credit (including any childcare element of Working Tax Credit)
IncSupp Income Support
JSA Jobseeker's Allowance
ESA Employment and Support Allowance
CareAll Carer's Allowance
None None of these

Weeks For how long has the respondent been on this benefit?
UpTwo Up to 2 years
LesThre 2 years but less than 3
LesFour 3 years but less than 4
LesFiv 4 years but less than 5
MoreFiv 5 or more years

Weeks2 For how many weeks has the respondent been on this benefit?

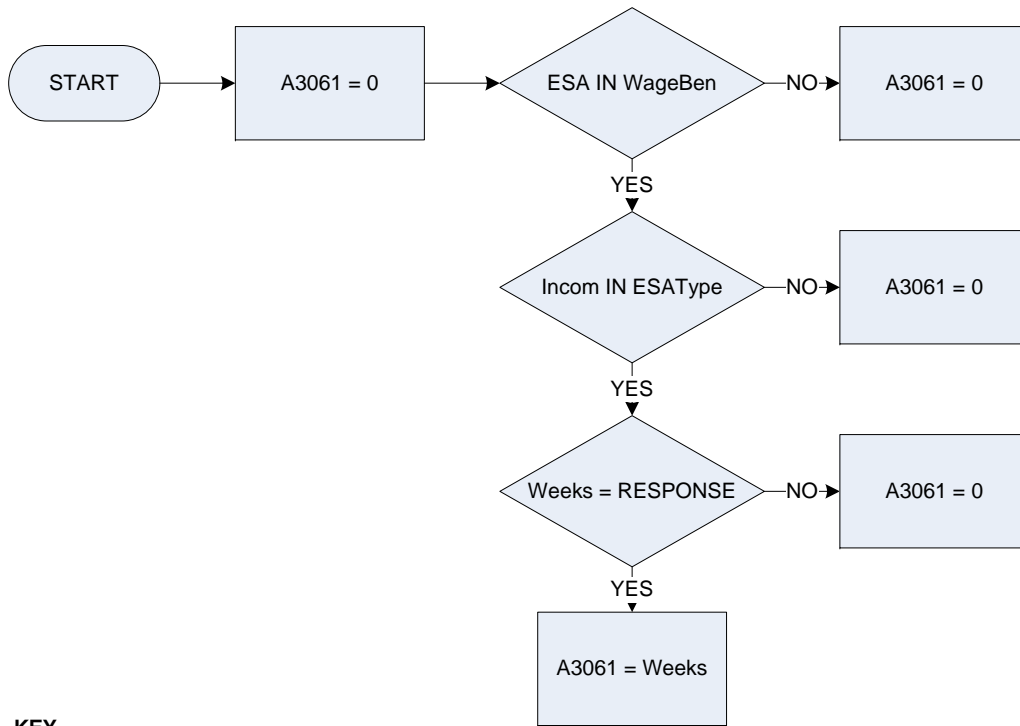
A305 – Employment and Support Allowance (contribution based) – receiving at present



KEY

A305	ESA(contribution based) - receiving at present 0 <i>Not applicable</i> 1 <i>Receiving at present</i>
WageBen	Is the respondent at present receiving any of these state benefits in their own right, that is where they are the named recipient? UniCred <i>Universal Credit</i> HousBen <i>Housing Benefit</i> WTC <i>Working Tax Credit (excluding any childcare element of Working Tax Credit)</i> CTC <i>Child Tax Credit (including any childcare element of Working Tax Credit)</i> IncSupp <i>Income Support</i> JSA <i>Jobseeker's Allowance</i> ESA <i>Employment and Support Allowance</i> CareAll <i>Carer's Allowance</i> None <i>None of these</i>
ESAType	There are two types of Employment and Support Allowance. Is the Allowance the respondent has received: Contr <i>Contributory, that is based on their N.I. contributions,</i> Incom <i>Income-related, which is based on an assessment of their income?</i> Comb <i>A combination of 'contributory' and 'income related'?</i>

A3061 – Employment and Support Allowance (income based) – time received



KEY

ESAType

There are two types of Employment and Support Allowance. Is the Allowance the respondent has received:

- Contr** Contributory, that is based on their N.I. contributions,
- Incom** Income-related, which is based on an assessment of their income?
- Comb** A combination of 'contributory' and 'income related'?

WageBen

Is the respondent at present receiving any of these benefits in their own right, that is where they are the named recipient?

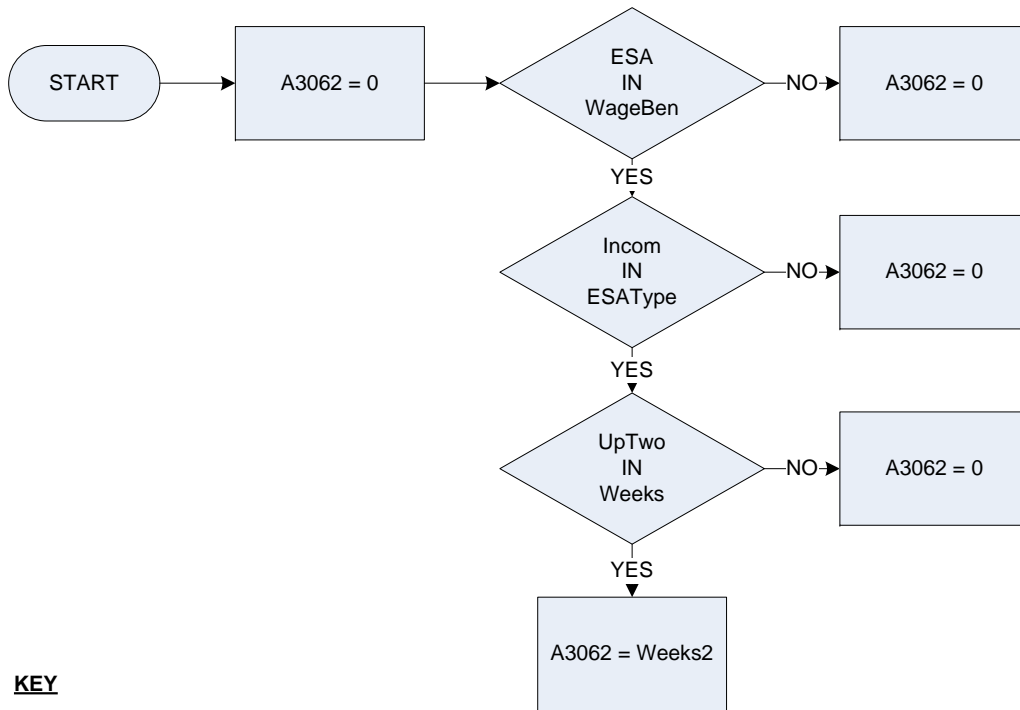
- UniCred** Universal Credit
- HousBen** Housing Benefit
- WTC** Working Tax Credit (excluding any childcare element of Working Tax Credit)
- CTC** Child Tax Credit (including any childcare element of Working Tax Credit)
- IncSupp** Income Support
- JSA** Jobseeker's Allowance
- ESA** Employment and Support Allowance
- CareAll** Carer's Allowance
- None** None of these

Weeks

For how long has the respondent been on this benefit?

- 1** Up to 2 years
- 2** 2 years but less than 3
- 3** 3 years but less than 4
- 4** 4 years but less than 5
- 5** 5 or more years

A3062 – Employment and Support Allowance (income based) - number of weeks received (up to 2 years)



KEY

ESAType

There are two types of Jobseeker's Allowance. Is the Allowance the respondent has received:

- Contr** *Contributory, that is based on their N.I. contributions,*
- Incom** *Income-related, which is based on an assessment of their income?*
- Comb** *A combination of 'contributory' and 'income related'?*

WageBen

Is the respondent at present receiving any of these benefits in their own right, that is where they are the named recipient?

- UniCred** *Universal Credit*
- HousBen** *Housing Benefit*
- WTC** *Working Tax Credit (excluding any childcare element of Working Tax Credit)*
- CTC** *Child Tax Credit (including any childcare element of Working Tax Credit)*
- IncSupp** *Income Support*
- JSA** *Jobseeker's Allowance*
- ESA** *Employment and Support Allowance*
- CareAll** *Carer's Allowance*
- None** *None of these*

Weeks

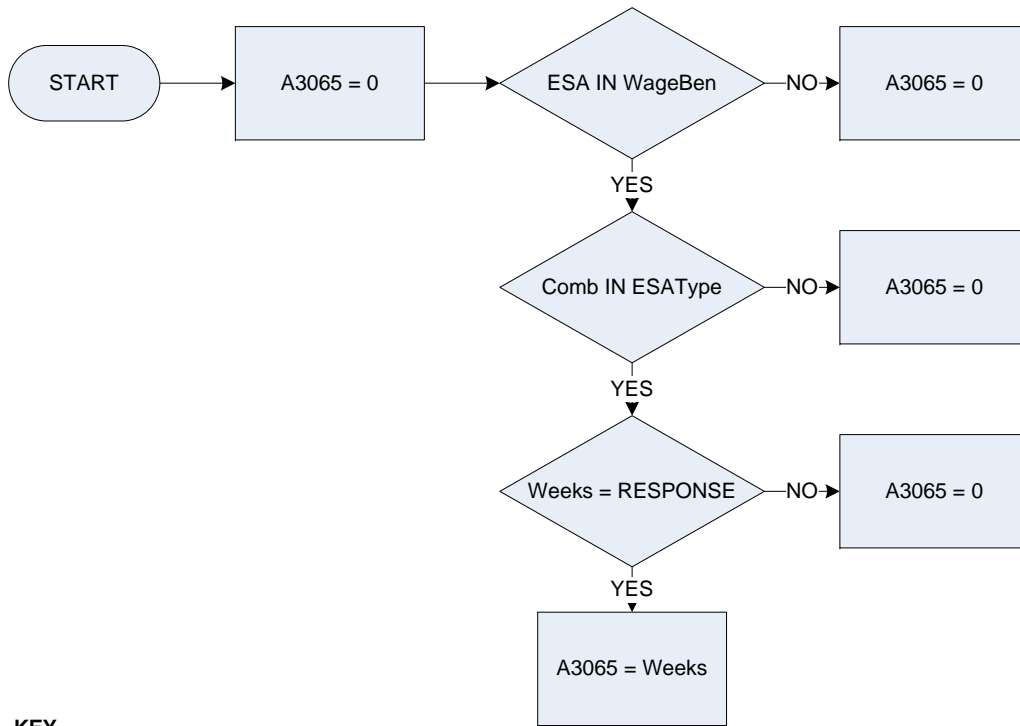
For how long has the respondent been on this benefit?

- UpTwo** *Up to 2 years*
- LesThre** *2 years but less than 3*
- LesFour** *3 years but less than 4*
- LesFiv** *4 years but less than 5*
- MoreFiv** *5 or more years*

Weeks2

For how many weeks has the respondent been on this benefit?

A3065 – Employment and Support Allowance (combination of contribution and income based) – time received



KEY

ESAType

There are two types of Employment and Support Allowance. Is the Allowance the respondent has received:

- Contr** Contributory, that is based on their N.I. contributions,
- Incom** Income-related, which is based on an assessment of their income?
- Comb** A combination of 'contributory' and 'income related'?

WageBen

Is the respondent at present receiving any of these benefits in their own right, that is where they are the named recipient?

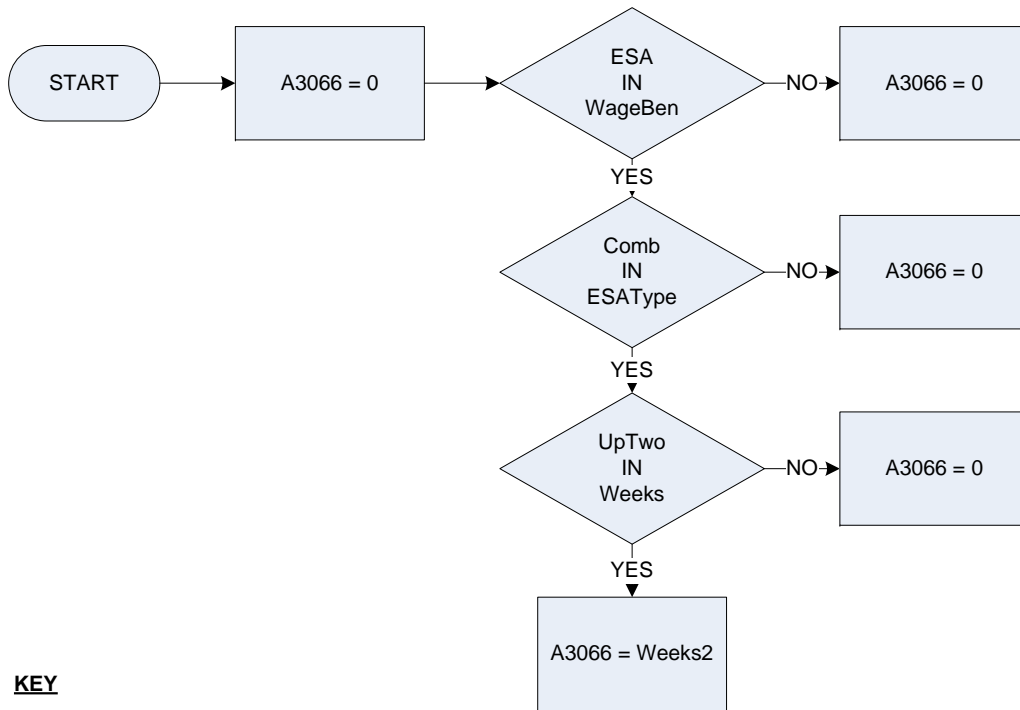
- UniCred** Universal Credit
- HousBen** Housing Benefit
- WTC** Working Tax Credit (excluding any childcare element of Working Tax Credit)
- CTC** Child Tax Credit (including any childcare element of Working Tax Credit)
- IncSupp** Income Support
- JSA** Jobseeker's Allowance
- ESA** Employment and Support Allowance
- CareAll** Carer's Allowance
- None** None of these

Weeks

For how long has the respondent been on this benefit?

- 1** Up to 2 years
- 2** 2 years but less than 3
- 3** 3 years but less than 4
- 4** 4 years but less than 5
- 5** 5 or more years

A3066 – Employment and Support Allowance (combination of contribution and income based) - number of weeks received (up to 2 years)



KEY

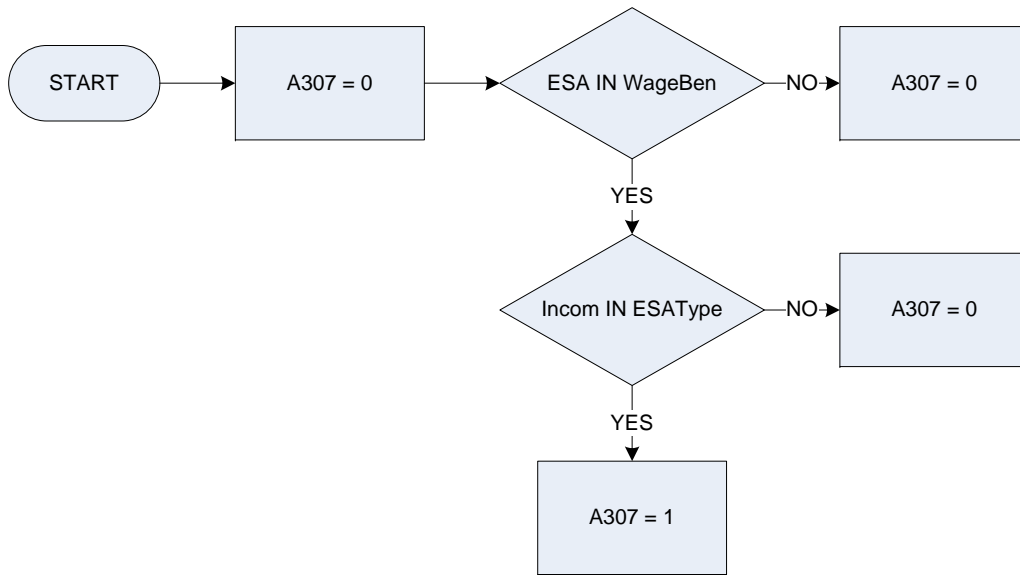
ESAType There are two types of Jobseeker's Allowance. Is the Allowance the respondent has received:
Contr Contributory, that is based on their N.I. contributions,
Incom Income-related, which is based on an assessment of their income?
Comb A combination of 'contributory' and 'income related'?

WageBen Is the respondent at present receiving any of these benefits in their own right, that is where they are the named recipient?
UniCred Universal Credit
HousBen Housing Benefit
WTC Working Tax Credit (excluding any childcare element of Working Tax Credit)
CTC Child Tax Credit (including any childcare element of Working Tax Credit)
IncSupp Income Support
JSA Jobseeker's Allowance
ESA Employment and Support Allowance
CareAll Carer's Allowance
None None of these

Weeks For how long has the respondent been on this benefit?
UpTwo Up to 2 years
LesThre 2 years but less than 3
LesFour 3 years but less than 4
LesFiv 4 years but less than 5
MoreFiv 5 or more years

Weeks2 For how many weeks has the respondent been on this benefit?

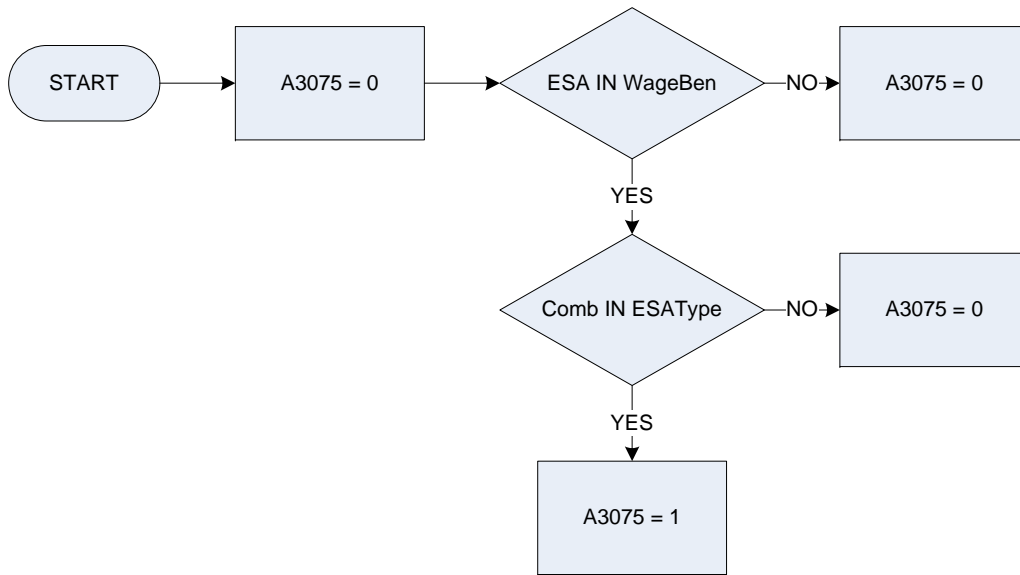
A307 – Employment and Support Allowance (income based) – receiving at present



KEY

A307	ESA(income based) - receiving at present 0 <i>Not applicable</i> 1 <i>Receiving at present</i>
WageBen	Is the respondent at present receiving any of these state benefits in their own right, that is where they are the named recipient? UniCred <i>Universal Credit</i> HousBen <i>Housing Benefit</i> WTC <i>Working Tax Credit (excluding any childcare element of Working Tax Credit)</i> CTC <i>Child Tax Credit (including any childcare element of Working Tax Credit)</i> IncSupp <i>Income Support</i> JSA <i>Jobseeker's Allowance</i> ESA <i>Employment and Support Allowance</i> CareAll <i>Carer's Allowance</i> None <i>None of these</i>
ESAType	There are two types of Employment and Support Allowance. Is the Allowance the respondent has received: Contr <i>Contributory, that is based on their N.I. contributions,</i> Incom <i>Income-related, which is based on an assessment of their income?</i> Comb <i>A combination of 'contributory' and 'income related'?</i>

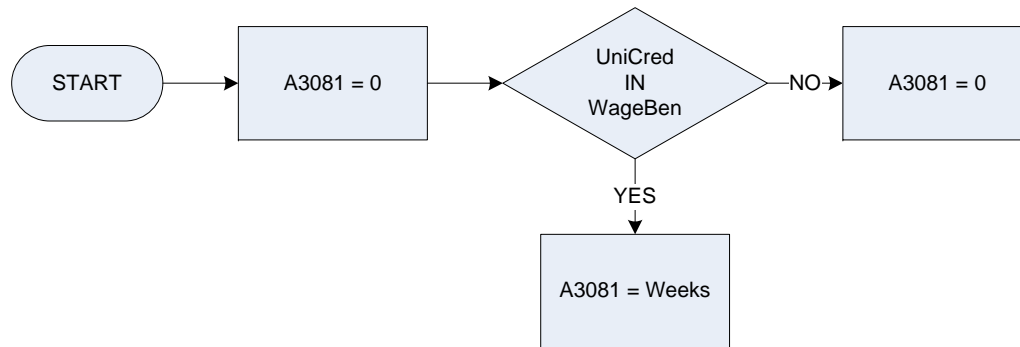
A3075 – Employment and Support Allowance (combination of income and contribution based) – receiving at present



KEY

A3075	ESA (combination of income and contribution based) - receiving at present 0 <i>Not applicable</i> 1 <i>Receiving at present</i>
WageBen	Is the respondent at present receiving any of these state benefits in their own right, that is where they are the named recipient? UniCred <i>Universal Credit</i> HousBen <i>Housing Benefit</i> WTC <i>Working Tax Credit (excluding any childcare element of Working Tax Credit)</i> CTC <i>Child Tax Credit (including any childcare element of Working Tax Credit)</i> IncSupp <i>Income Support</i> JSA <i>Jobseeker's Allowance</i> ESA <i>Employment and Support Allowance</i> CareAll <i>Carer's Allowance</i> None <i>None of these</i>
ESAType	There are two types of Employment and Support Allowance. Is the Allowance the respondent has received: Contr <i>Contributory, that is based on their N.I. contributions,</i> Incom <i>Income-related, which is based on an assessment of their income?</i> Comb <i>A combination of 'contributory' and 'income related'?</i>

A3081 – Universal Credit – time received



KEY

WageBen

Is the respondent at present receiving any of these benefits in their own right, that is where they are the named recipient?

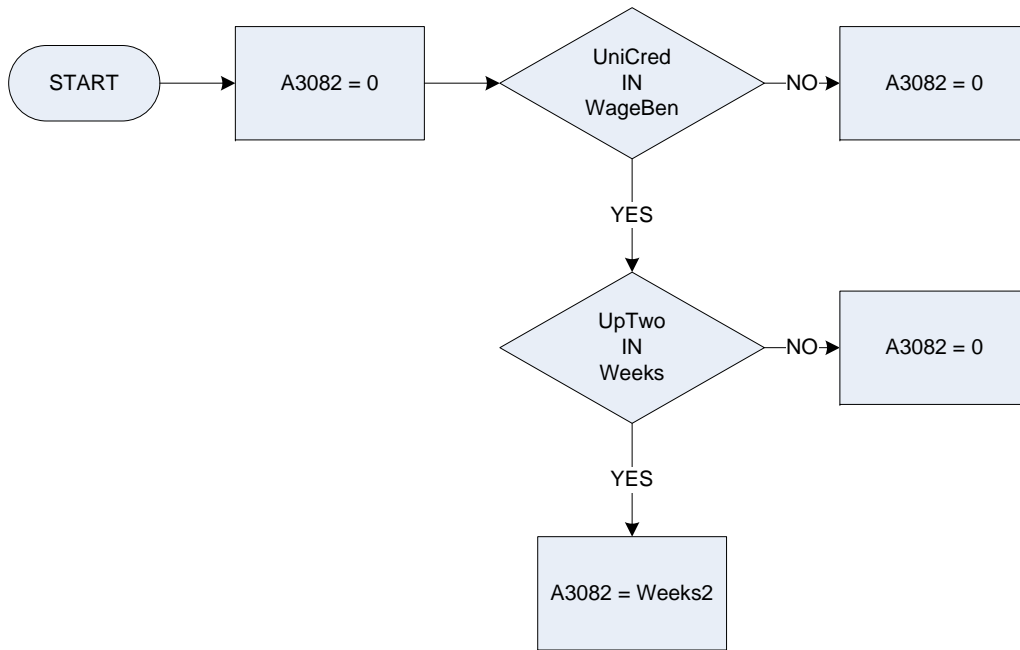
- UniCred** *Universal Credit*
- HousBen** *Housing Benefit*
- WTC** *Working Tax Credit (excluding any childcare element of Working Tax Credit)*
- CTC** *Child Tax Credit (including any childcare element of Working Tax Credit)*
- IncSupp** *Income Support*
- JSA** *Jobseeker's Allowance*
- ESA** *Employment and Support Allowance*
- CareAll** *Carer's Allowance*
- None** *None of these*

Weeks

For how long has the respondent been on this benefit?

- 1** *Up to 2 years*
- 2** *2 years but less than 3*
- 3** *3 years but less than 4*
- 4** *4 years but less than 5*
- 5** *5 or more years*

A3082 – Universal Credit - number of weeks received (up to 2 years)



KEY

WageBen

Is the respondent at present receiving any of these benefits in their own right, that is where they are the named recipient?

- UniCred** Universal Credit
- HousBen** Housing Benefit
- WTC** Working Tax Credit (excluding any childcare element of Working Tax Credit)
- CTC** Child Tax Credit (including any childcare element of Working Tax Credit)
- IncSupp** Income Support
- JSA** Jobseeker's Allowance
- ESA** Employment and Support Allowance
- CareAll** Carer's Allowance
- None** None of these

Weeks

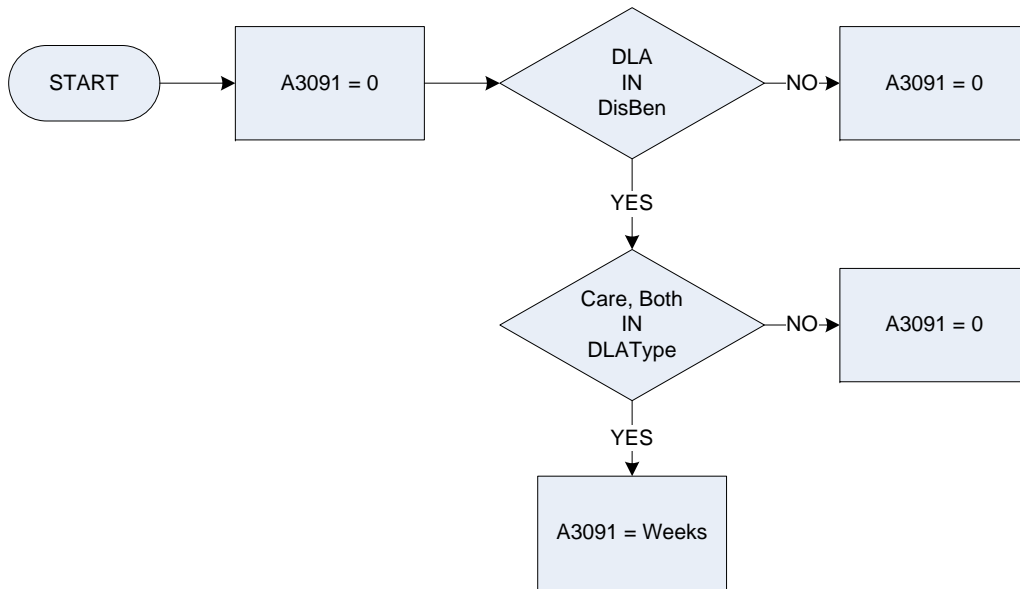
For how long has the respondent been on this benefit?

- UpTwo** Up to 2 years
- LesThre** 2 years but less than 3
- LesFour** 3 years but less than 4
- LesFiv** 4 years but less than 5
- MoreFiv** 5 or more years

Weeks2

For how many weeks has the respondent been on this benefit?

A3091 – Disability Living Allowance (care component) – time received



KEY

DisBen Is the respondent at present receiving any of these benefits in their own right, or on behalf of another person?

- PIP** *Personal Independence Payment (including the car allowance known as Motability)*
- DLA** *Disability Living Allowance (including the car allowance known as Motability)*
- AtAII** *Attendance Allowance*
- SDA** *Severe Disablement Allowance*
- IB** *Incapacity Benefit*
- IIDB** *Industrial Injuries Disablement Benefit*
- None** *None of these*

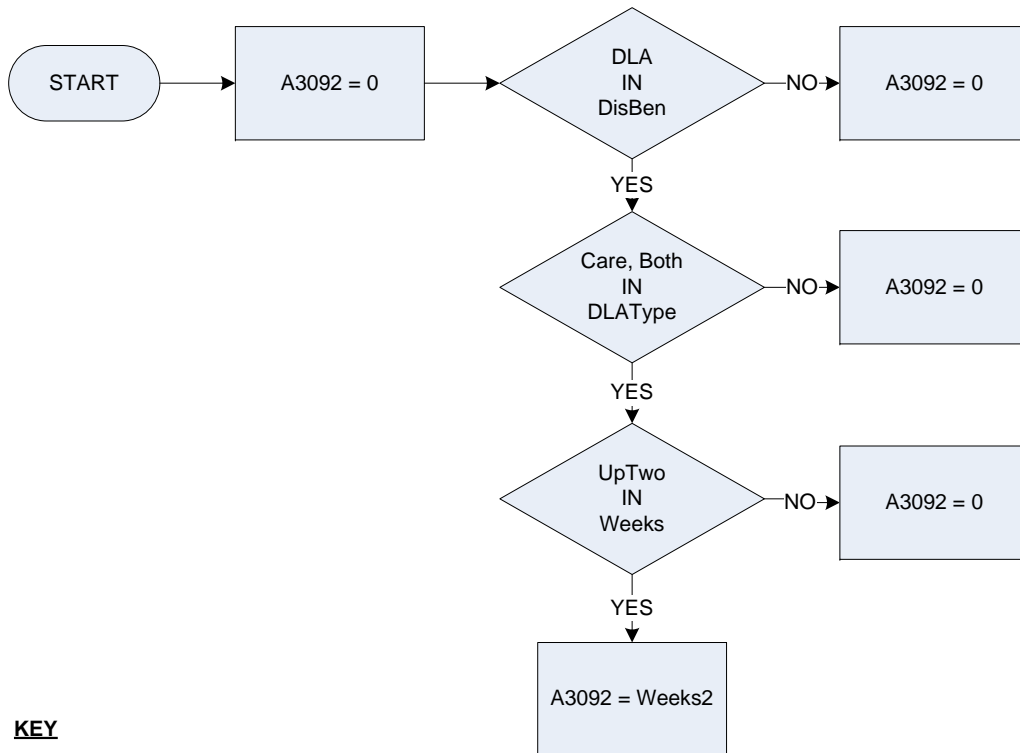
DLAType There are two types of Disability Living Allowance. Is your allowance:

- Care** *Care component only*
- Mob** *Mobility component only*
- Both** *Both – Care and Mobility components?*

Weeks For how long has the respondent been on this benefit?

- UpTwo** *Up to 2 years*
- LesThre** *2 years but less than 3*
- LesFour** *3 years but less than 4*
- LesFiv** *4 years but less than 5*
- MoreFiv** *5 or more years*

A3092 – Disability Living Allowance (care component) - number of weeks received (up to 2 years)



KEY

DisBen Is the respondent at present receiving any of these state benefits in their own right, or on behalf of another person?

- PIP** Personal Independence Payment (including the car allowance known as Motability)
- DLA** Disability Living Allowance (including the car allowance known as Motability)
- AtAll** Attendance Allowance
- SDA** Severe Disablement Allowance
- IB** Incapacity Benefit
- IIDB** Industrial Injuries Disablement Benefit
- None** None of these

DLAType There are two types of Disability Living Allowance. Is your allowance:

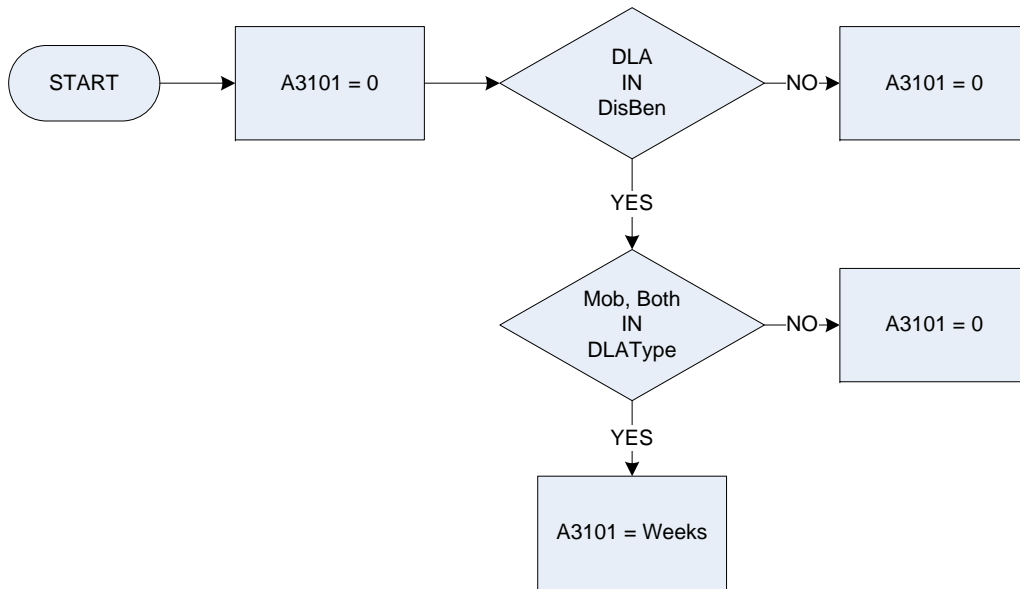
- Care** Care component only
- Mob** Mobility component only
- Both** Both – Care and Mobility components?

Weeks For how long has the respondent been on this benefit?

- UpTwo** Up to 2 years
- LesThre** 2 years but less than 3
- LesFour** 3 years but less than 4
- LesFiv** 4 years but less than 5
- MoreFiv** 5 or more years

Weeks2 For how many weeks has the respondent been on this benefit?

A3101 – Disability Living Allowance (mobility component) – time received



KEY

DisBen Is the respondent at present receiving any of these benefits in their own right, or on behalf of another person?

- PIP** Personal Independence Payment (including the car allowance known as Motability)
- DLA** Disability Living Allowance (including the car allowance known as Motability)
- AtAll** Attendance Allowance
- SDA** Severe Disablement Allowance
- IB** Incapacity Benefit
- IIDB** Industrial Injuries Disablement Benefit
- None** None of these

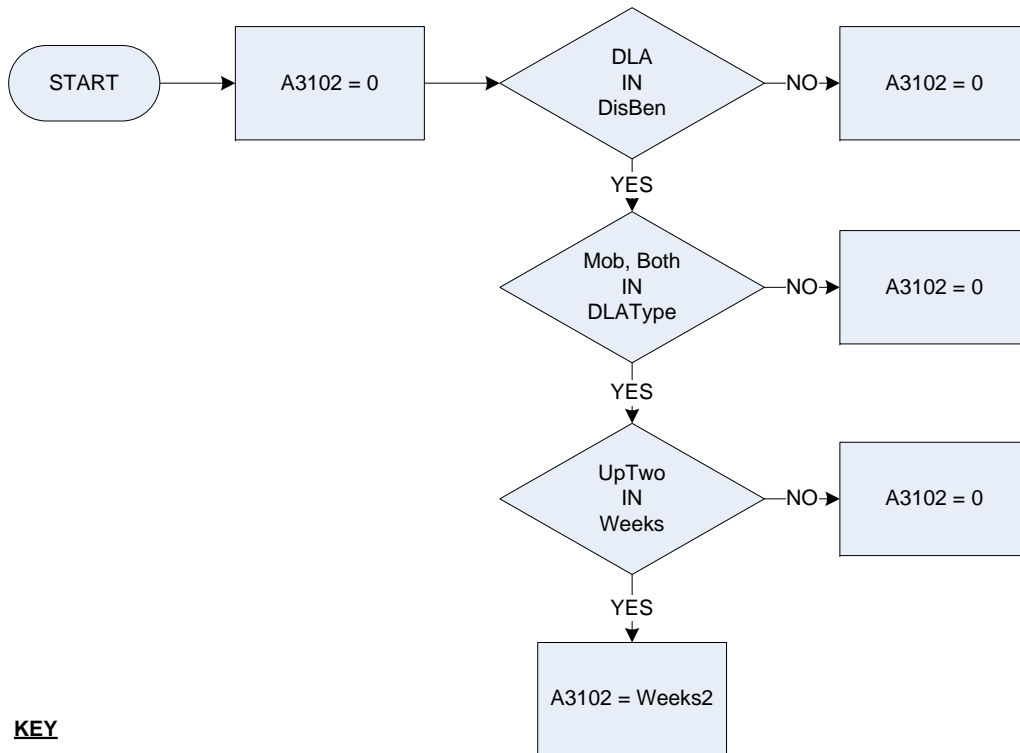
DLAType There are two types of Disability Living Allowance. Is your allowance:

- Care** Care component only
- Mob** Mobility component only
- Both** Both – Care and Mobility components?

Weeks For how long has the respondent been on this benefit?

- UpTwo** Up to 2 years
- LesThre** 2 years but less than 3
- LesFour** 3 years but less than 4
- LesFiv** 4 years but less than 5
- MoreFiv** 5 or more years

A3102 – Disability Living Allowance (mobility component) - number of weeks received (up to 2 years)



KEY

DisBen Is the respondent at present receiving any of these state benefits in their own right, or on behalf of another person?

- PIP** Personal Independence Payment (including the car allowance known as Motability)
- DLA** Disability Living Allowance (including the car allowance known as Motability)
- AtAll** Attendance Allowance
- SDA** Severe Disablement Allowance
- IB** Incapacity Benefit
- IIDB** Industrial Injuries Disablement Benefit
- None** None of these

DLAType There are two types of Disability Living Allowance. Is your allowance:

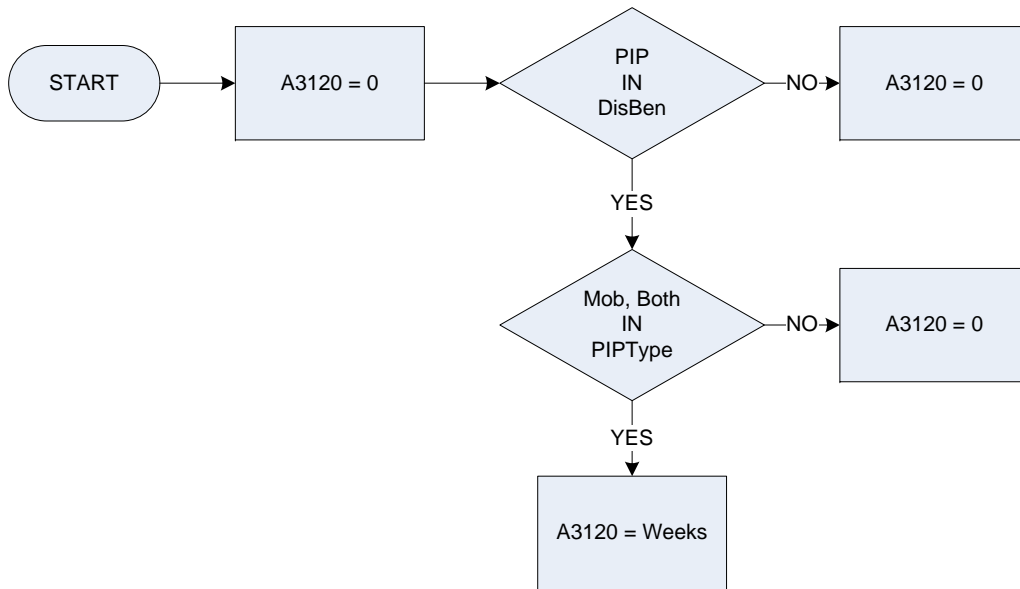
- Care** Care component only
- Mob** Mobility component only
- Both** Both – Care and Mobility components?

Weeks For how long has the respondent been on this benefit?

- UpTwo** Up to 2 years
- LesThre** 2 years but less than 3
- LesFour** 3 years but less than 4
- LesFiv** 4 years but less than 5
- MoreFiv** 5 or more years

Weeks2 For how many weeks has the respondent been on this benefit?

A3120 – Personal Independence Payment (mobility component) – time received



KEY

DisBen Is the respondent at present receiving any of these benefits in their own right, or on behalf of another person?

- PIP** Personal Independence Payment (including the car allowance known as Motability)
- DLA** Disability Living Allowance (including the car allowance known as Motability)
- AtAll** Attendance Allowance
- SDA** Severe Disablement Allowance
- IB** Incapacity Benefit
- IIDB** Industrial Injuries Disablement Benefit
- None** None of these

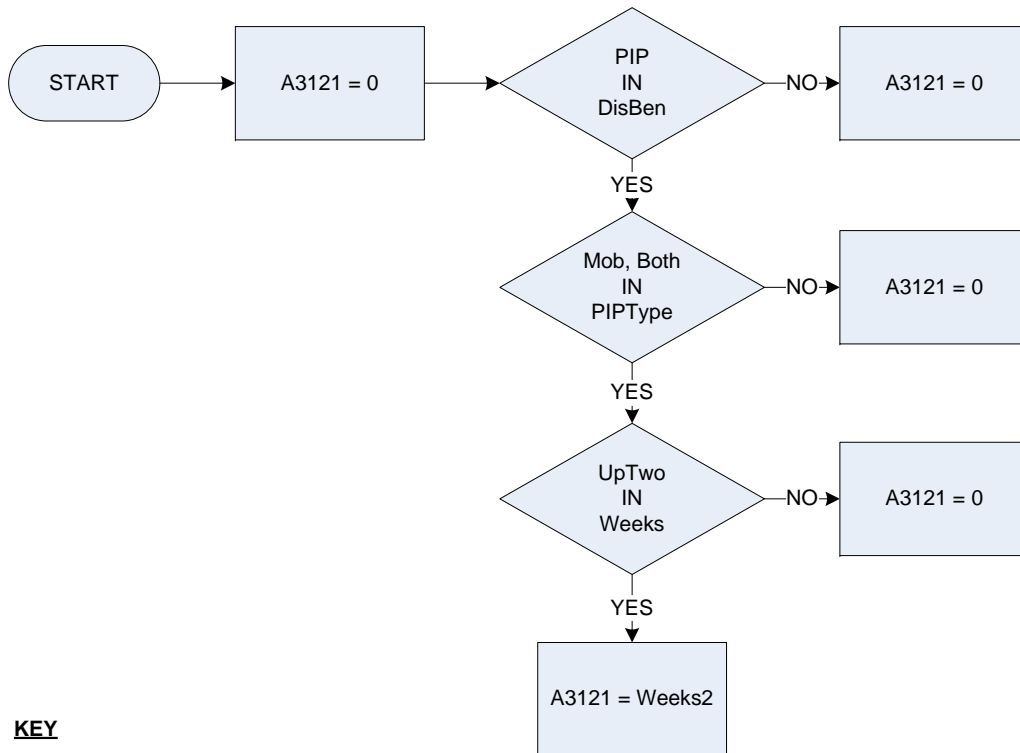
PIType There are two types of Personal Independence Payment. Is your allowance:

- Care** Daily living only
- Mob** Mobility only
- Both** Both – Daily living and mobility?

Weeks For how long has the respondent been on this benefit?

- UpTwo** Up to 2 years
- LesThre** 2 years but less than 3
- LesFour** 3 years but less than 4
- LesFiv** 4 years but less than 5
- MoreFiv** 5 or more years

A3121 – Personal Independence Payment (mobility component) - number of weeks received (up to 2 years)



KEY

DisBen Is the respondent at present receiving any of these state benefits in their own right, or on behalf of another person?

- PIP** Personal Independence Payment (including the car allowance known as Motability)
- DLA** Disability Living Allowance (including the car allowance known as Motability)
- AtAll** Attendance Allowance
- SDA** Severe Disablement Allowance
- IB** Incapacity Benefit
- IIDB** Industrial Injuries Disablement Benefit
- None** None of these

PIPType There are two types of Personal Independence Payment. Is your allowance:

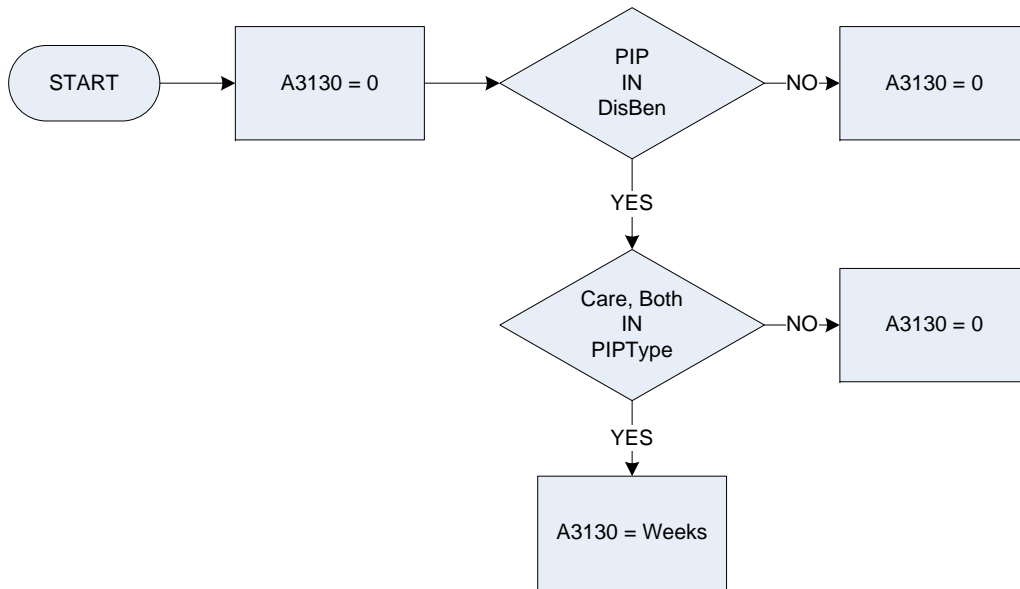
- Care** Daily living only
- Mob** Mobility only
- Both** Both – Daily living and mobility?

Weeks For how long has the respondent been on this benefit?

- UpTwo** Up to 2 years
- LesThre** 2 years but less than 3
- LesFour** 3 years but less than 4
- LesFiv** 4 years but less than 5
- MoreFiv** 5 or more years

Weeks2 For how many weeks has the respondent been on this benefit?

A3130 – Personal Independence Payment (care component) – time received



KEY

DisBen Is the respondent at present receiving any of these benefits in their own right, or on behalf of another person?

- PIP** Personal Independence Payment (including the car allowance known as Motability)
- DLA** Disability Living Allowance (including the car allowance known as Motability)
- AtAll** Attendance Allowance
- SDA** Severe Disablement Allowance
- IB** Incapacity Benefit
- IIDB** Industrial Injuries Disablement Benefit
- None** None of these

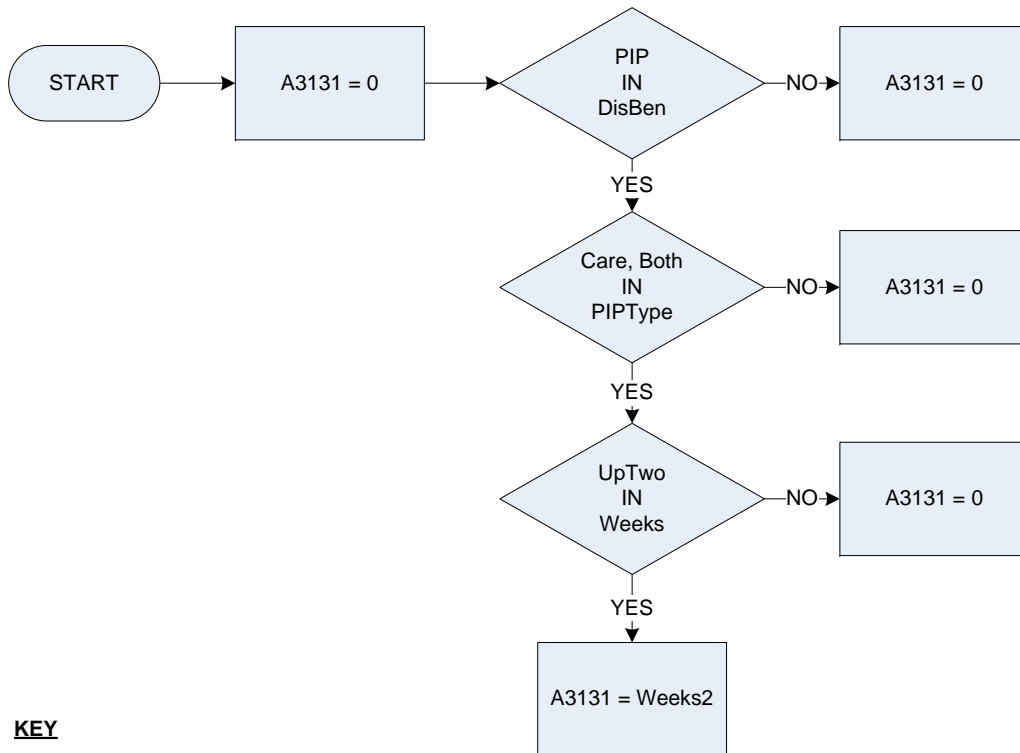
PIType There are two types of Personal Independence Payment. Is your allowance:

- Care** Daily living only
- Mob** Mobility only
- Both** Both – Daily living and mobility?

Weeks For how long has the respondent been on this benefit?

- UpTwo** Up to 2 years
- LesThre** 2 years but less than 3
- LesFour** 3 years but less than 4
- LesFiv** 4 years but less than 5
- MoreFiv** 5 or more years

A3131 – Personal Independence Payment (care component) - number of weeks received (up to 2 years)



KEY

DisBen Is the respondent at present receiving any of these state benefits in their own right, or on behalf of another person?

- PIP** Personal Independence Payment (including the car allowance known as Motability)
- DLA** Disability Living Allowance (including the car allowance known as Motability)
- AtAll** Attendance Allowance
- SDA** Severe Disablement Allowance
- IB** Incapacity Benefit
- IIDB** Industrial Injuries Disablement Benefit
- None** None of these

PIPTYPE There are two types of Personal Independence Payment. Is your allowance:

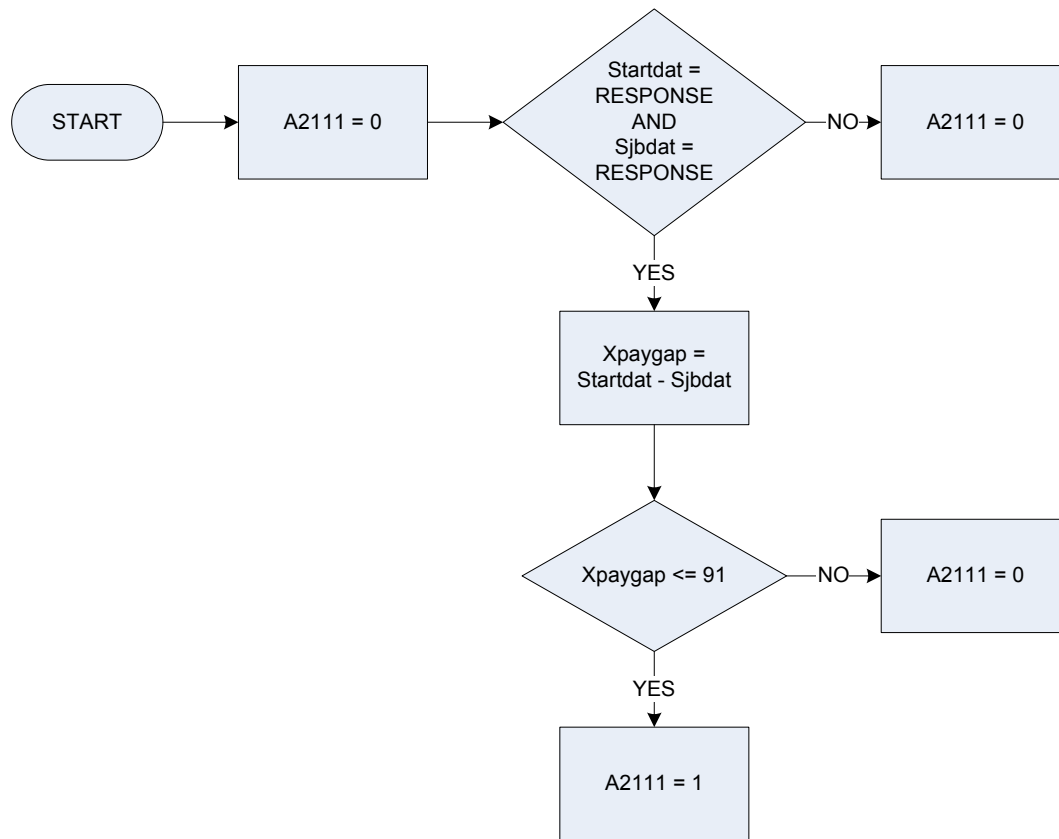
- Care** Daily living only
- Mob** Mobility only
- Both** Both – Daily living and mobility?

Weeks For how long has the respondent been on this benefit?

- UpTwo** Up to 2 years
- LesThre** 2 years but less than 3
- LesFour** 3 years but less than 4
- LesFiv** 4 years but less than 5
- MoreFiv** 5 or more years

Weeks2 For how many weeks has the respondent been on this benefit?

A2111 – First subsidiary job - employment: paid in last 13 wks

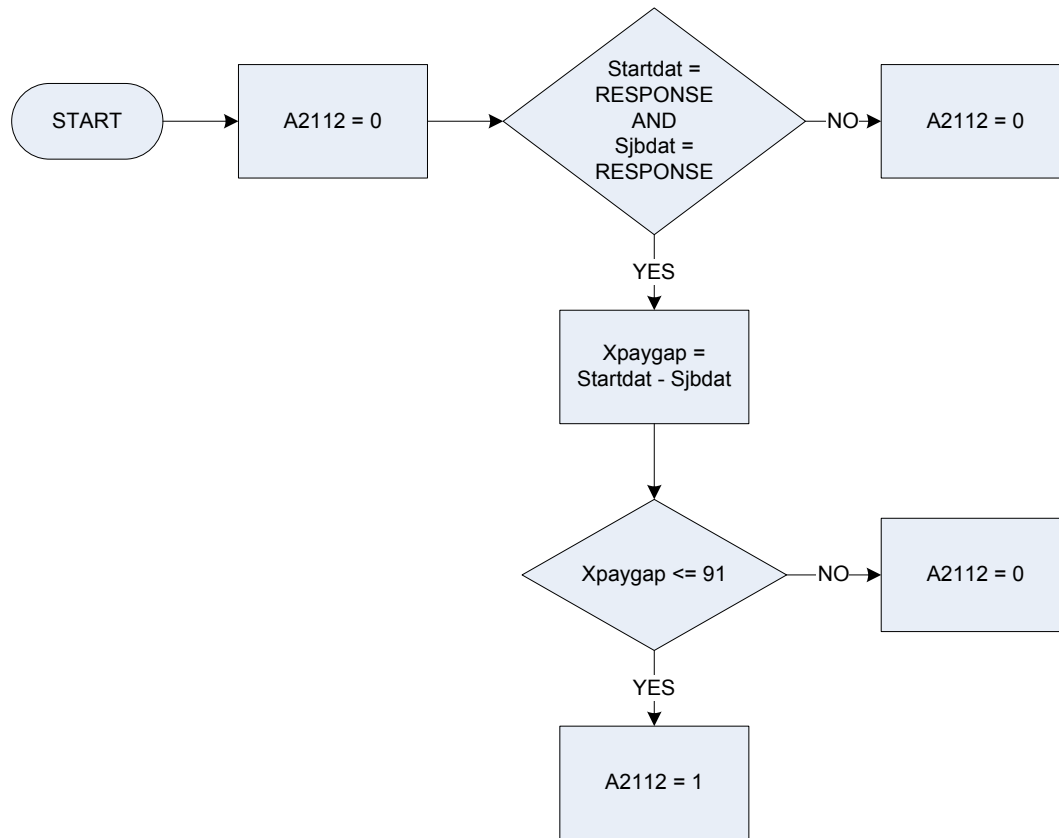


KEY

A2111 First subsidiary job - employment: paid in last 13 wks
0 Not recorded
1 Yes

Sjbdat On what date was the respondent last paid/ On what date does the respondent expect to be paid a wage or salary in this job?
Startdat Date when interview with this household was started
Xpaygap Temporary variable used in calculations: Number of days between last pay date and interview with the household

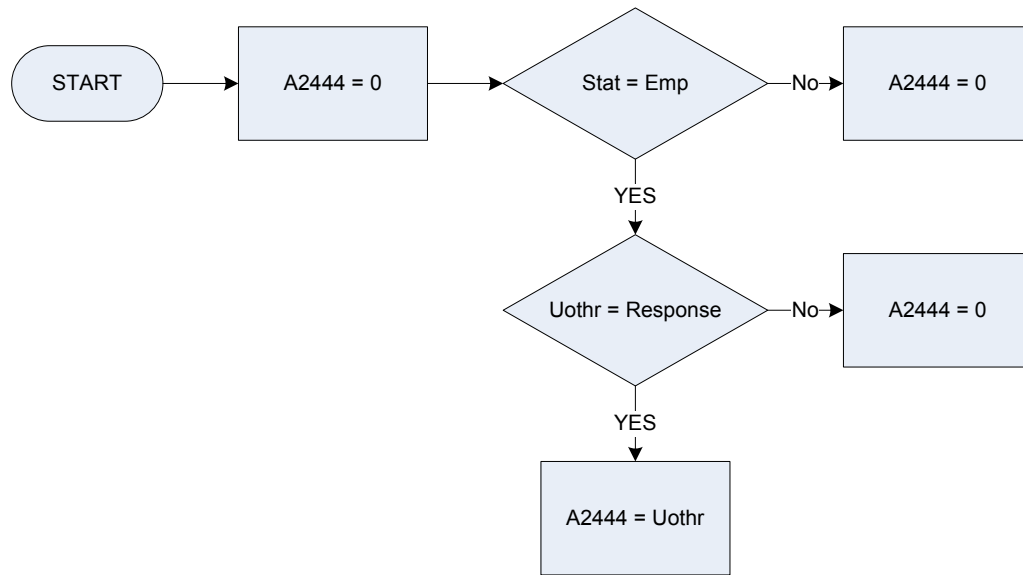
A2112 – Second subsidiary job - employment: paid in last 13 wks



KEY

A2112	Second subsidiary job - employment: paid in last 13 wks
0	Not recorded
1	Yes
Sjbdat	On what date was the respondent last paid/ On what date does the respondent expect to be paid a wage or salary in this job?
Startdat	Date when interview with this household was started
Xpaygap	Temporary variable used in calculations: Number of days between last pay date and interview with the household

A2444 – Hours unpaid overtime usually worked



KEY

Stat

Was the respondent working as an employee or were they self-employed?

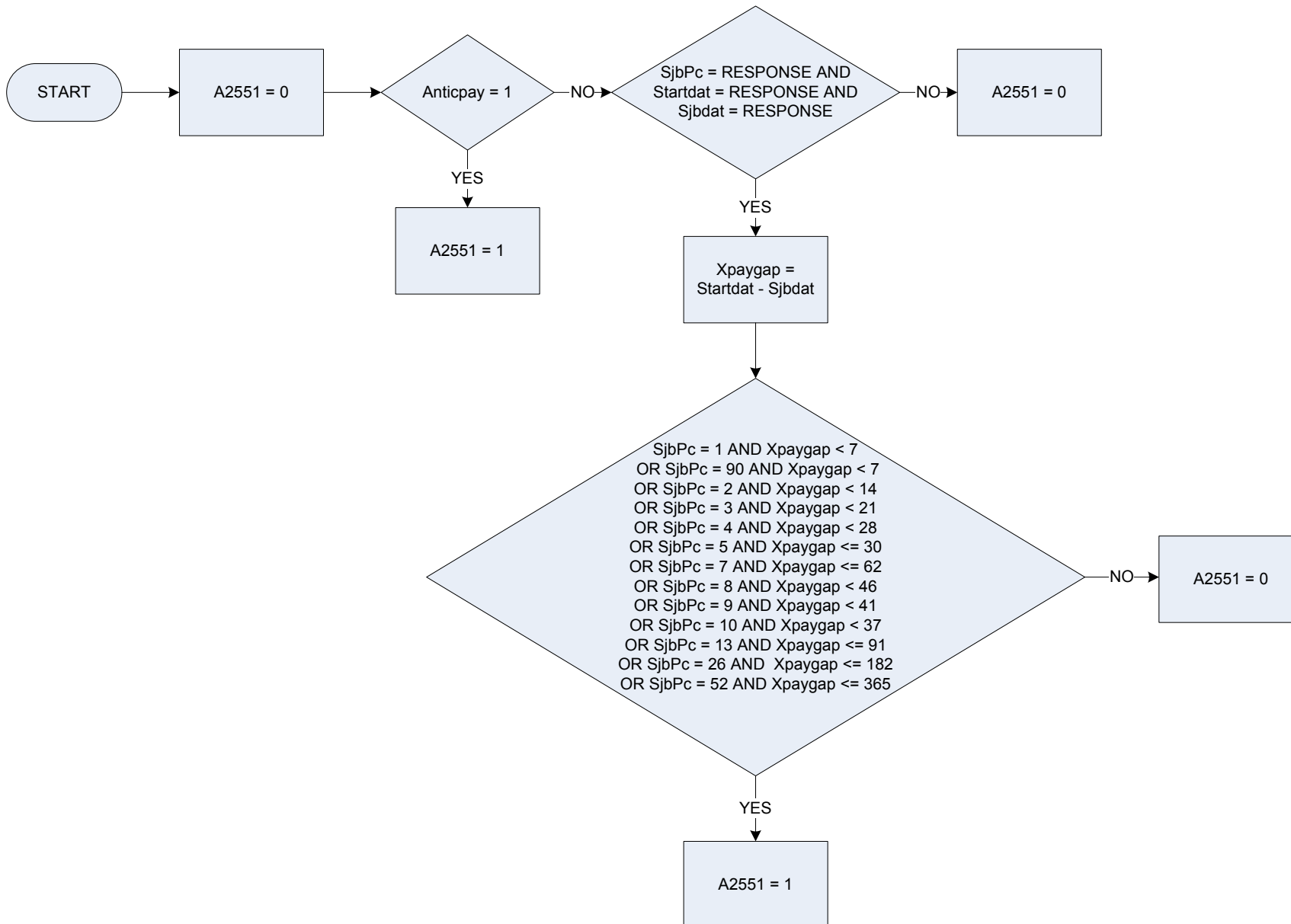
1 Employee

2 Self-employed

Uothr

How many hours unpaid overtime does the respondent usually work per week?

A2551 – First subsidiary job – employee: last pay was received in specified time period

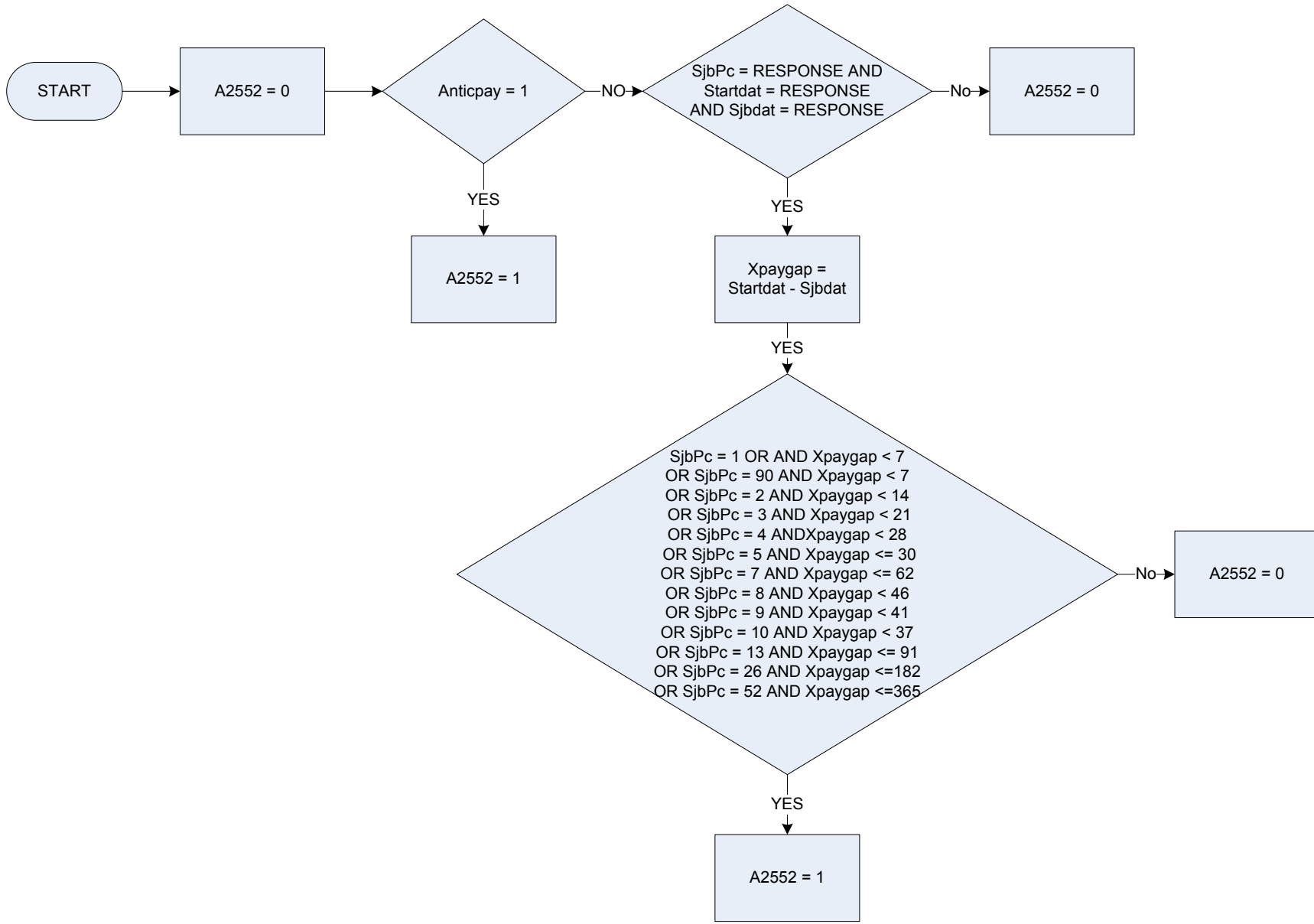


A2551 – First subsidiary job – employee: last pay was received in specified time period

KEY

A2551	First subsidiary job - employee: last pay was received in specified time period
	<i>0 Not recorded</i>
	<i>1 Received</i>
Anticipay	If in new job & not yet paid anticipated pay given
	<i>1 Anticipated pay to be given</i>
	<i>2 Others</i>
Sjbdat	First subsidiary job - date last paid or expect to be paid a wage or salary in this job?
SjbPc	First subsidiary job - period LAST take home pay covered
	<i>1 Less than a week</i>
	<i>90 Less than a week</i>
	<i>2 2 weeks</i>
	<i>3 3 weeks</i>
	<i>4 4 weeks</i>
	<i>5 Calendar month</i>
	<i>7 2 calendar months</i>
	<i>8 8 times a year</i>
	<i>9 9 times a year</i>
	<i>10 10 times a year</i>
	<i>13 3 months/13 week</i>
	<i>26 6 months/26 weeks</i>
	<i>52 1 year, 12 months, 52 weeks</i>
Startdat	Date interview with this household was started
Xpaygap	Time between data when interview was started and date respondent was last paid (or expects to be paid) a wage or salary

A2552 – Second subsidiary job – employee: last pay was received in specified time period

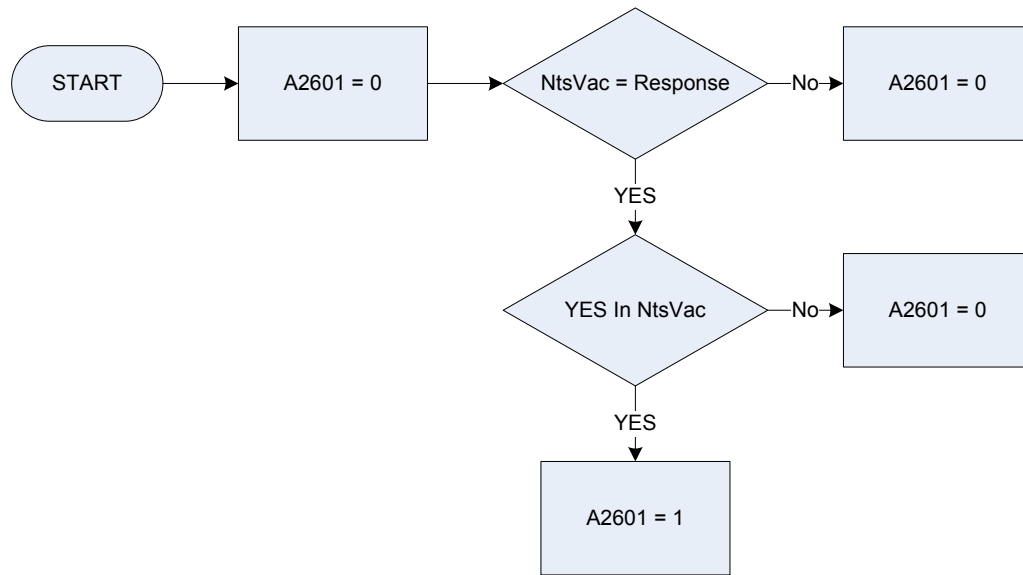


A2552 – Second subsidiary job – employee: last pay was received in specified time period

KEY

A2552	Second subsidiary job – employee: last pay was received in specified time period
	<i>0 Not recorded</i>
	<i>1 Received</i>
Anticpay	If in new job & not yet paid anticipated pay given
	<i>1 Anticipated pay to be given</i>
	<i>2 Others</i>
Sjbdat	Date last paid or expect to be paid a wage or salary in this job?
SjbPc	First subsidiary job - period LAST take home pay covered
	<i>1 Less than a week</i>
	<i>90 Less than a week</i>
	<i>2 2 weeks</i>
	<i>3 3 weeks</i>
	<i>4 4 weeks</i>
	<i>5 Calendar month</i>
	<i>7 2 calendar months</i>
	<i>8 8 times a year</i>
	<i>9 9 times a year</i>
	<i>10 10 times a year</i>
	<i>13 3 months/13 weeks</i>
	<i>26 6 months/26 weeks</i>
	<i>52 1 year, 12 months, 52 weeks</i>
Startdat	Date when interview with this household was started
Xpaygap	Temporary variable used in calculations – Number of days between last pay date and interview with household

A2601 – Interest credited to National Savings ordinary account



KEY

A2601

Interested credited to National Savings Ordinary Account

0 *Not recorded*

1 *National Savings Bank ordinary account*

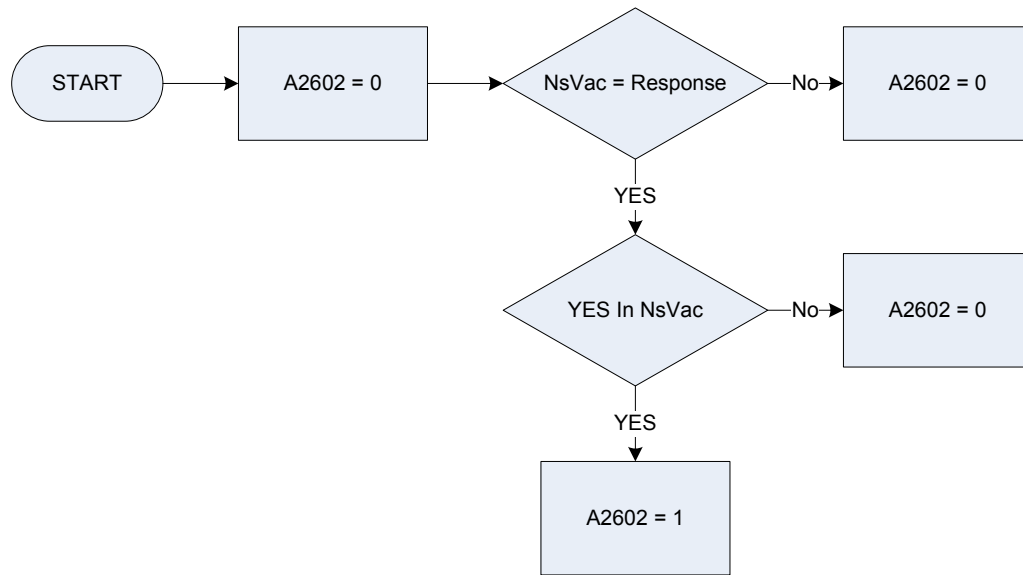
NtsVac

In the last 12 months, has respondent had any interest credited to a National Savings (Post Office) Ordinary account?

1 *Yes*

2 *No*

A2602 – Interest credited to National Savings investment account



KEY

A2602

Interested credited to National Saving Investment Account

0 *Not recorded*

1 *National Savings Bank investment account*

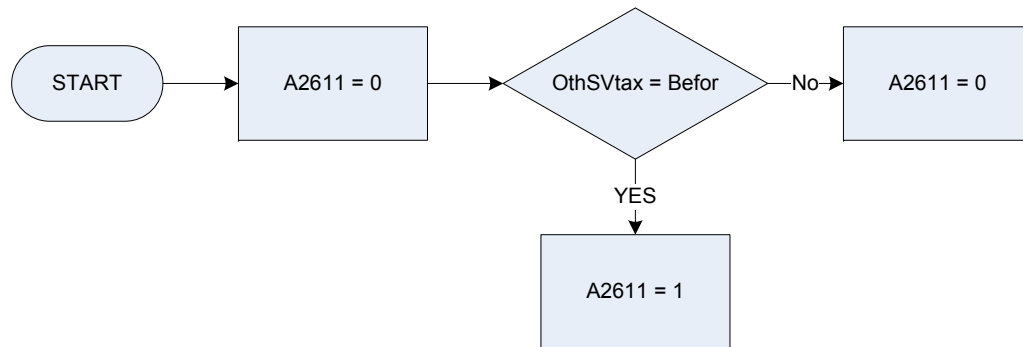
NsVac

In the last 12 months, has respondent had any interest credited to a National Savings (Post Office) Investment account?

1 *Yes*

2 *No*

A2611 – Other Account with interest before tax



KEY

A2611

Other account with interest before tax

0 Not recorded

1 Other account before tax

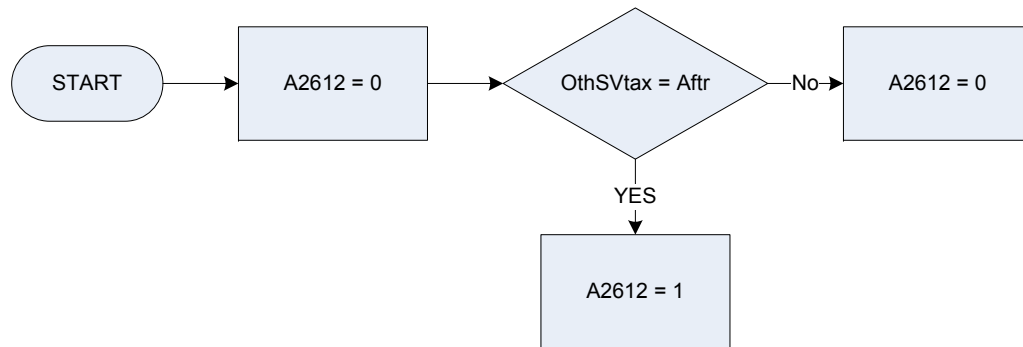
OthSVtax

Is the interest received AFTER or BEFORE tax?

Aftr After tax

Befor Before tax

A2612 – Other Account with interest after tax



KEY

A2612

Other account with interest after tax

0 *Not recorded*

1 *Bank\building society account after tax*

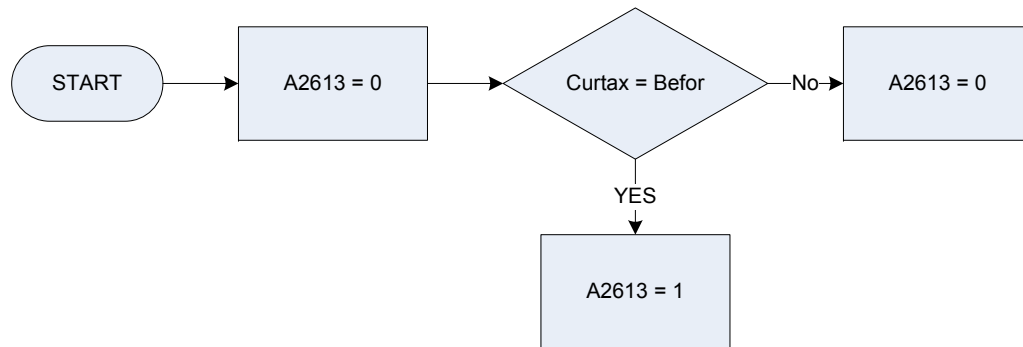
OthSVtax

Is the interest received AFTER or BEFORE tax?

Afr *after tax*

Befor *before tax*

A2613 – Current Account with interest before tax



KEY

A2613

Other account with interest before tax

0 Not recorded

1 Other account before tax

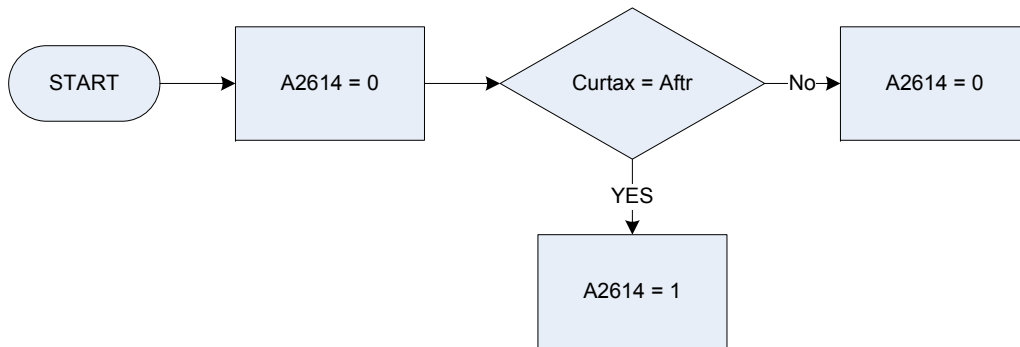
Curtax

Is the interest received AFTER or BEFORE tax?

Aftr After tax

Befor Before tax

A2614 – Current Account with interest after tax



KEY

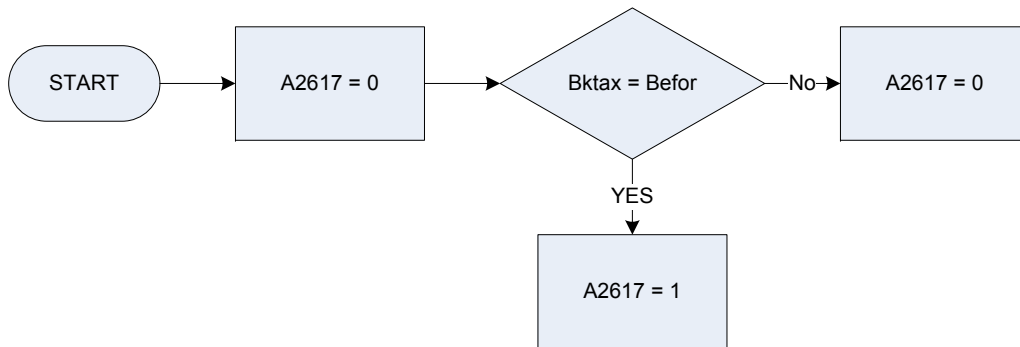
A2614

Current account with interest after tax
0 *Not recorded*
1 *Bank\building society account after tax*

Curtax

Is the interest received AFTER or BEFORE tax?
Aftr *after tax*
Befor *before tax*

A2617 – Bank/Building Societies Account with interest before tax

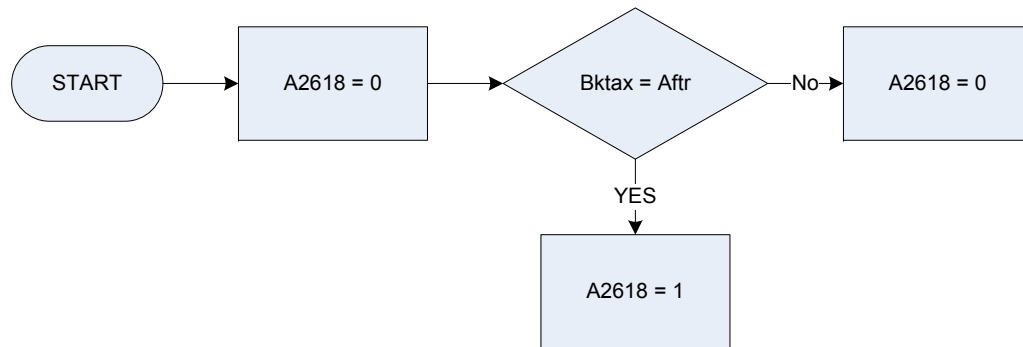


KEY

A2617 Bank\Build Societies Account with interest before tax
0 Not recorded
1 Bank\building soc account before tax

Bktax Is the interest received AFTER or BEFORE tax?
Aftr *After tax*
Befor *Before tax*

A2618 – Bank / Build Societies Account with interest after tax

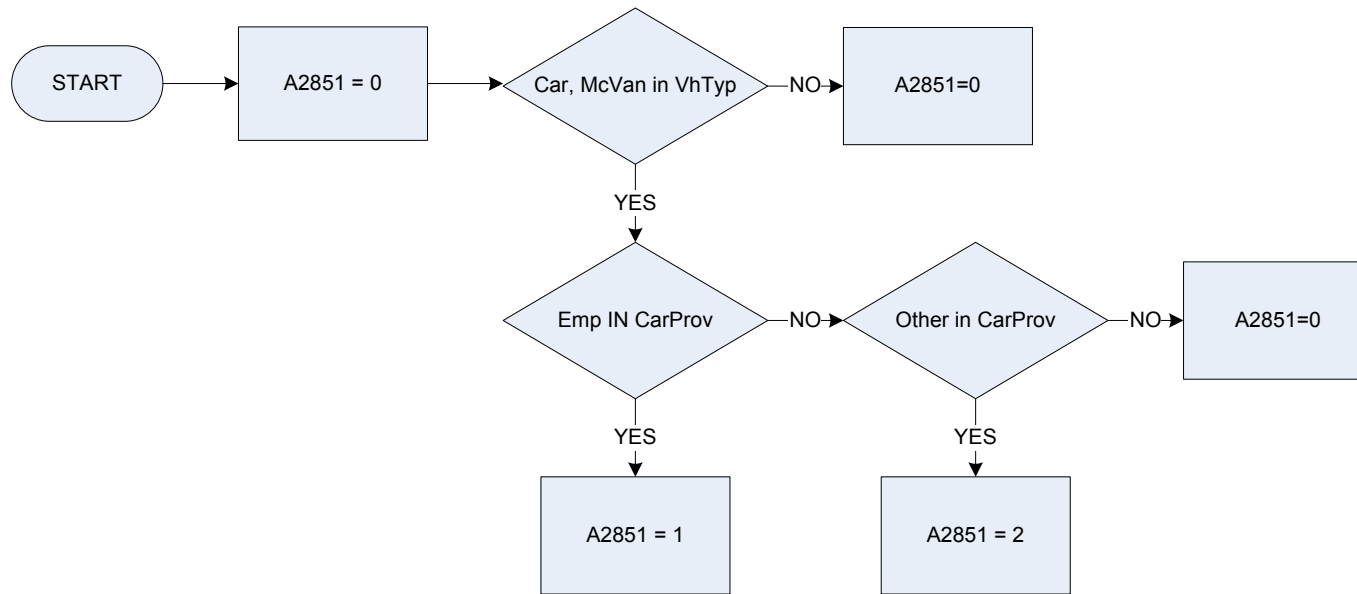


KEY

A2618 Bank\Building Societies Account with interest after tax
0 Not recorded
1 Bank\building society account after tax

Bktax Is the interest received AFTER or BEFORE tax?
Aftr after tax
Befor before tax

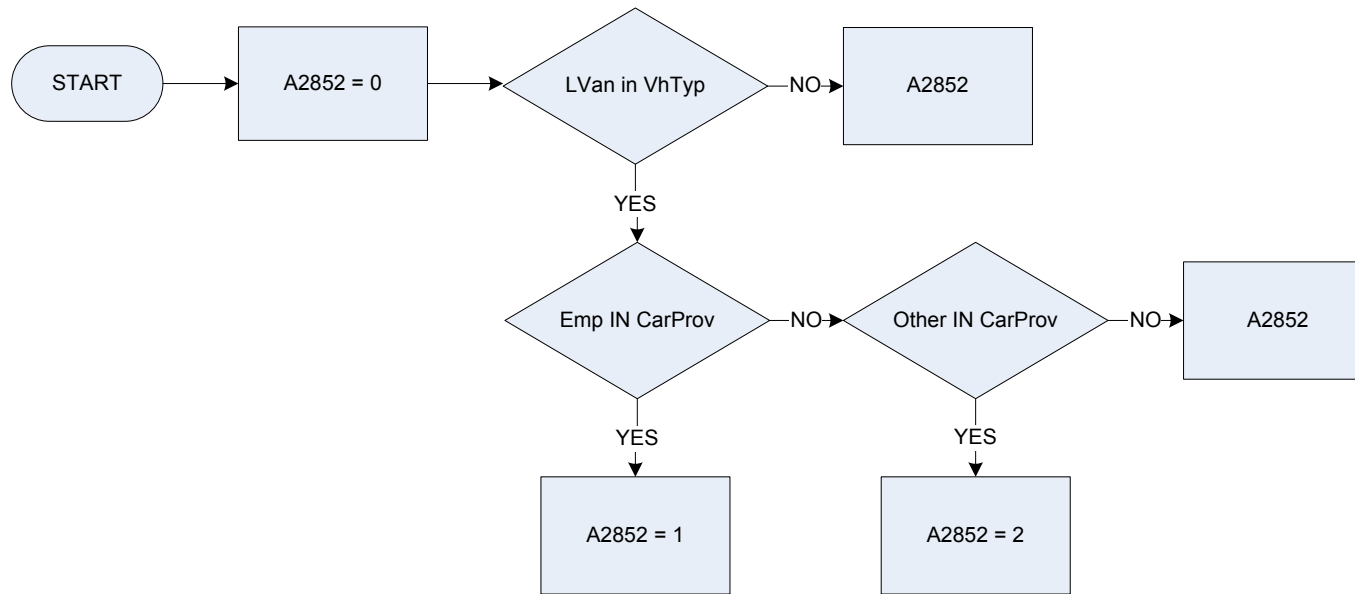
A2851 – Company car provided by employer.



KEY

- A2851** Company car provided by employer
 0 Not recorded
 1 Employer
 2 Other
- VhTyp** Is current vehicle, a car; a light van; a motor cycle; a motor caravan; or some other motor vehicle?
 car "a car"
 lvan "a light van"
 mcycle "a motor cycle"
 mcvan "a motor caravan"
 other "or some other motor vehicle?"
- CarProv** Is this vehicle provided for continuous use by: respondent's employer or spouse's employer; or someone else?
 emp "employer"
 other "someone else?"

A2852 – Company van provided by employer.



KEY

CarProv Is this vehicle provided for the respondent's continuous use by: their employer or spouse's employer; or someone else?

Emp Your employer or spouse's employer

Other or someone else?

Person Who sold/owns/uses this vehicle?

VhTyp Is the respondent's vehicle a car; a light van; a motor cycle; a motor caravan; or some other motor vehicle?

Car A car

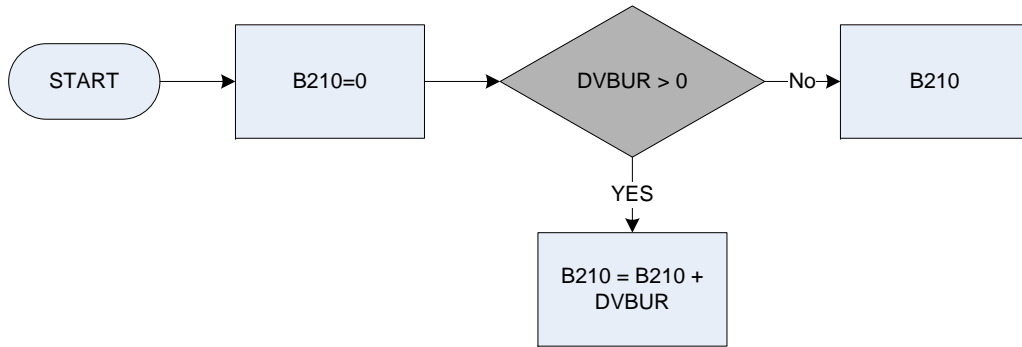
Ivan A light van

mcycle A motor cycle

mcvan A motor caravan

other Some other motor vehicle

B210 – 16 - 19 Bursary – total amount received

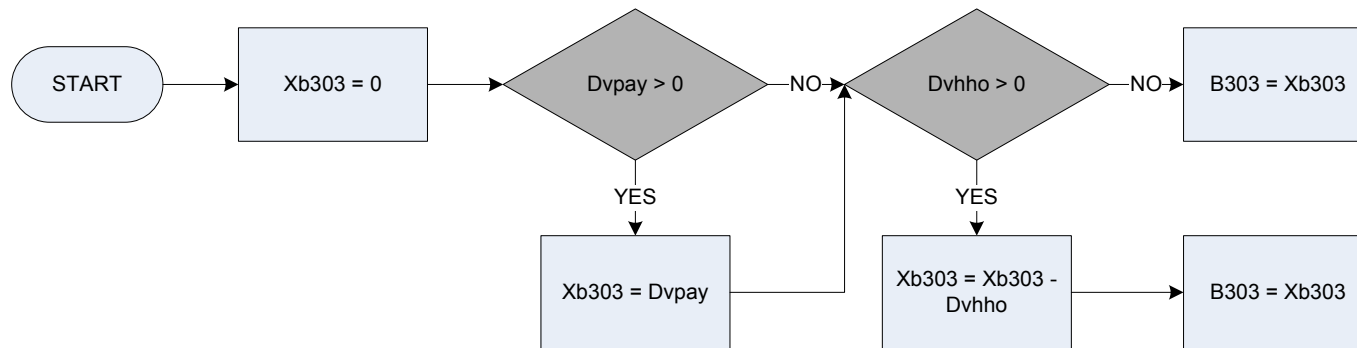


KEY

DVBUR

Derived from BurAmt to give a weekly amount (*BurAmt: 16-19 Bursary – How much did you receive last time?*)

B303 – Pay- amount last time paid



KEY

Dvhho

Derived from HHOAmt to give a weekly amount – (HHOAmt - Pay: What was the amount of the refund?)(Refunds: rent, rates, water/sewerage rates, mortgage payment, insurance on structure, gas, electricity, telephone, road tax, vehicle insurance, mileage allowance/ fixed motoring allowance, travel/subsistence or any other refund for business expenditure from your current or last employer.)

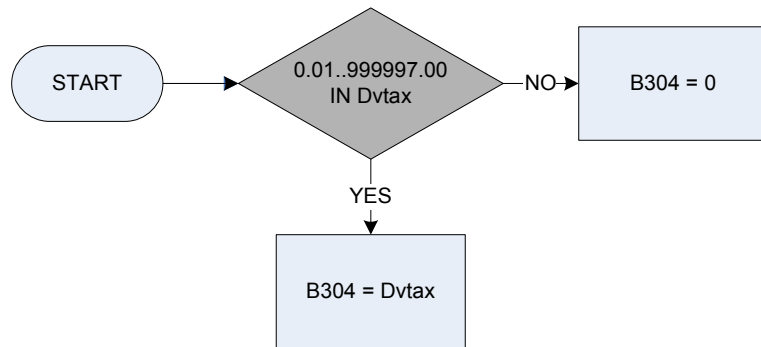
Dvpay

Derived from PyAmt for pay in most remunerative job to give a weekly amount (PyAmt - Pay: What was the last take home pay, (what will be the take home pay) including overtime, bonus, commission, tips or other payments?)

Xb303

Temporary variable used in calculations: Pay-amount last time paid

B304 – Income tax refund in last pay - amount

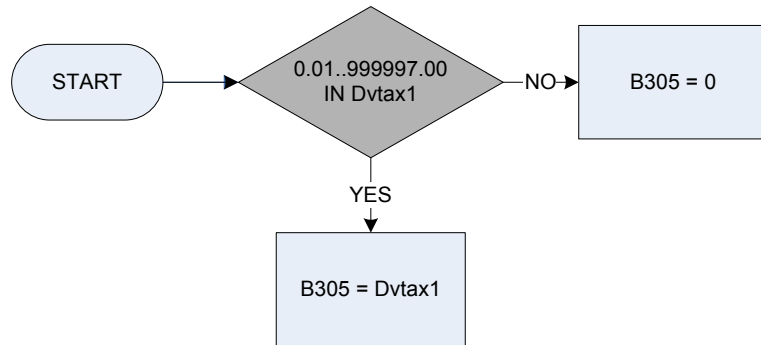


KEY

Dvtax

Derived from Taxrefam to give a weekly amount – (*Taxrefam - Pay: How much was the tax refund?*)

B305 – Income tax deduction – PAYE amount

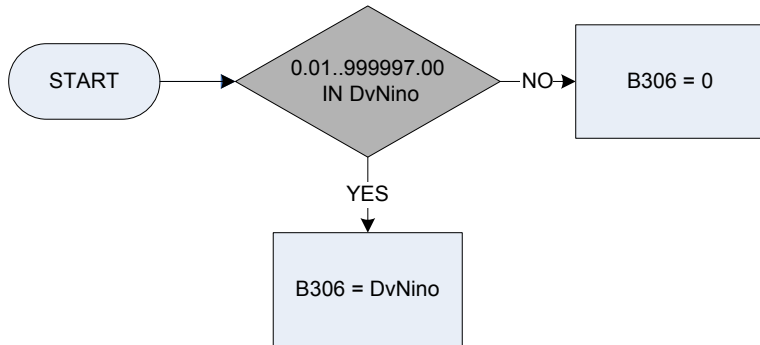


KEY

Dvtax1

Derived from PyTax to give a weekly amount – (Pytax – Pay: How much was deducted from the respondent's wage/salary for income tax under PAYE?)

B306 – NI contributions – amount deducted from pay

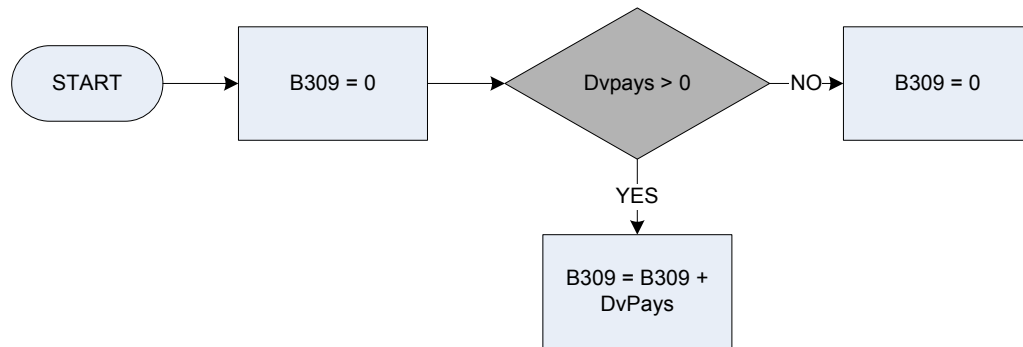


KEY

DvNino

Derived from PyNINO to give a weekly amount – (*PyNINO – Pay: How much was deducted as a National Insurance Contribution?*)

B309 – Subsidiary job: total last net pay of all jobs

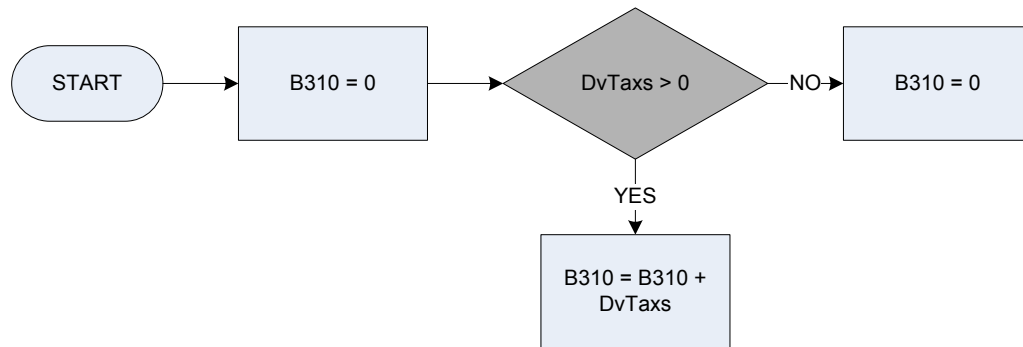


KEY

Dvpays Derived from SJobAmt to give a weekly amount – (*SJobAmt - Subsidiary Job: What was/what will be the LAST take home pay, including overtime, bonus, commission or tips?*)

Note: This process is repeated for each subsidiary job.

B310 – Subsidiary job: total tax deducted from all jobs

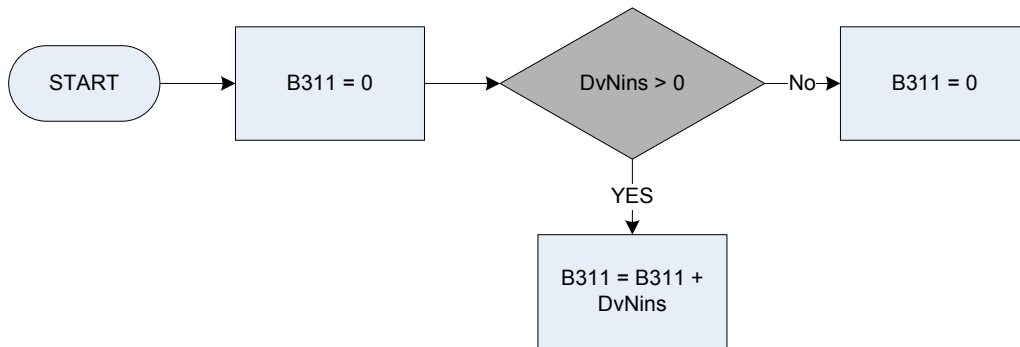


KEY

DvTaxes Derived from SJobTax to give a weekly amount – (*SJobTax - Subsidiary Job: How much was deducted from the wage/salary for income tax under PAYE?*)

Note: This process is repeated for each subsidiary job.

B311 – Subsidiary job: total NI deducted from all jobs

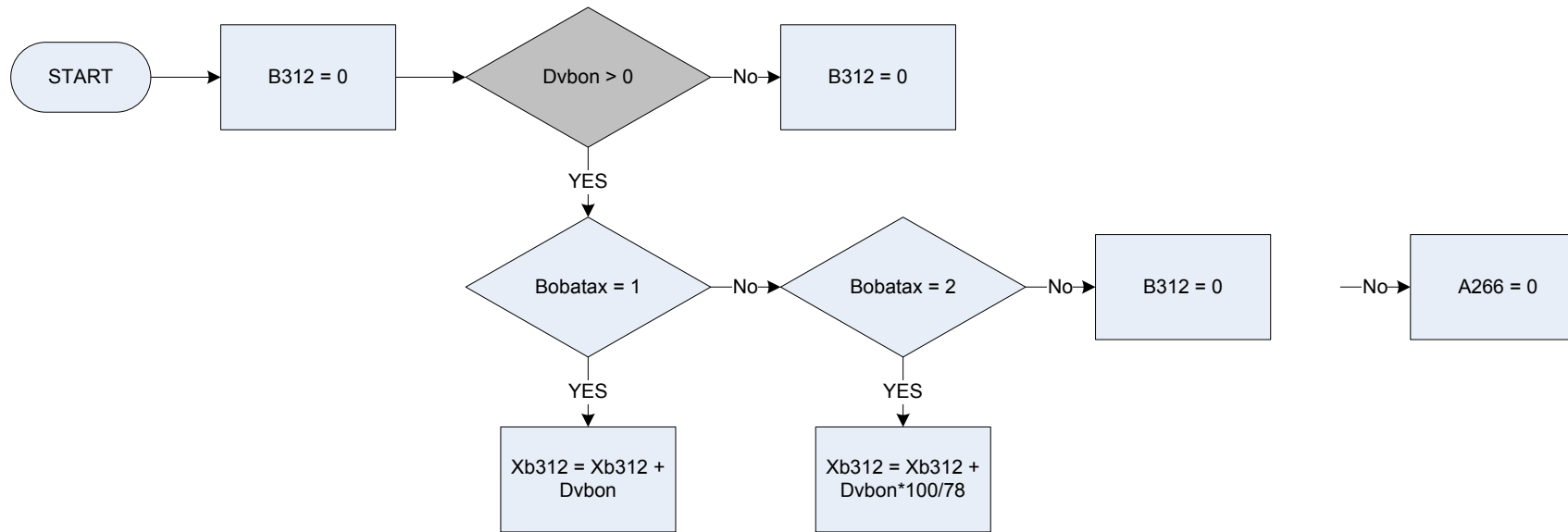


KEY

DvNins Derived from SJBnINO to give a weekly amount – (*SJBnINO - Subsidiary Job: How much was deducted as National Insurance Contribution?*)

Note: This process is repeated for each subsidiary job.

B312 - Bonus earnings - Gross amount



KEY

Bobatax

Was this bonus amount before/after tax?

1 Before tax

2 After tax

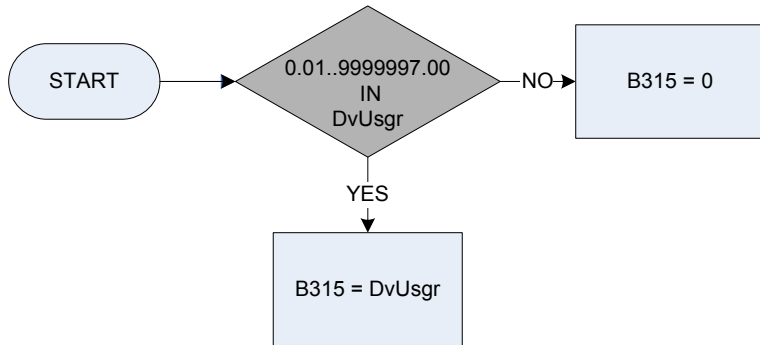
Dvbon

Derived from BonAm to give a weekly amount – (BonAm – Pay: How much was the bonus?)

Xb312

Temporary variable used in calculations: Bonus earnings - Gross Amount

B315 – Usual gross pay - employee

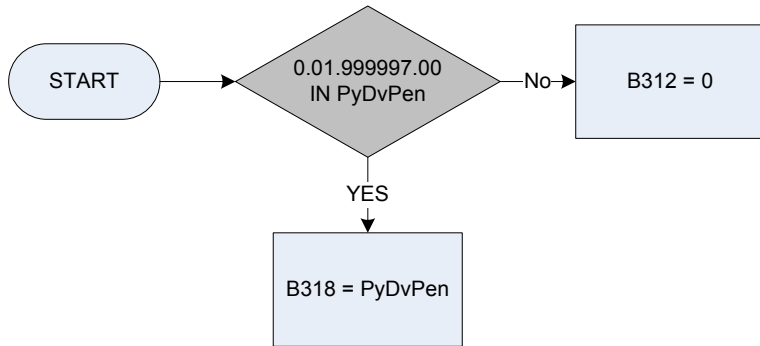


KEY

DvUsgr

Derived from UsGroPay to give a weekly amount – (*UsGroPay - Pay: What does/did the respondent usually receive each time they were paid, BEFORE all deductions?*)

B318 - Deductions from pay for superannuation - amount

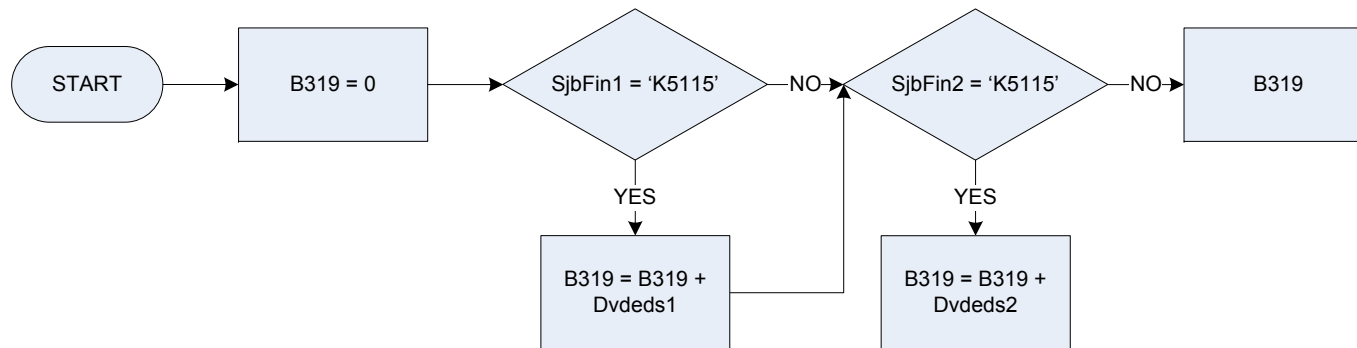


KEY

PyDvPen

Derived from PenDAmt to give a weekly amount – (*PenDAmt – Pay: How much was deducted for superannuation?*)

B319 – Superannuation – subsidiary job(s) – last pay

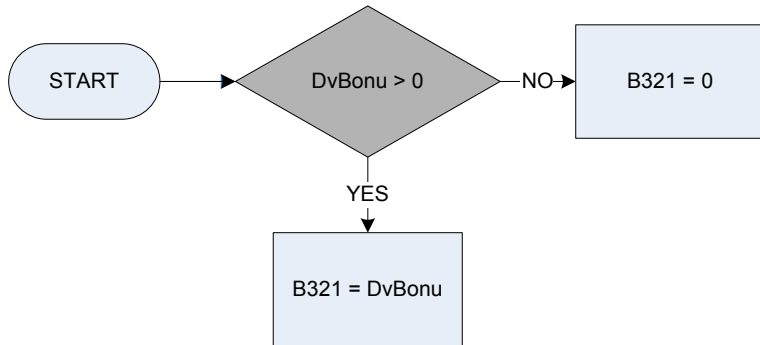


KEY

Dvdeds1 & Dvdeds2
SjbFin1 & SjbFin2

Derived from SJDAMt to give a weekly amount - (SJDAMt - Subsidiary job: How much was deducted for this deduction?)
LCF code for an "other deduction" from pay.
K5115 "Superannuation deduction - subsidiary employee job"

B321 – Bonus amount included in usual net pay

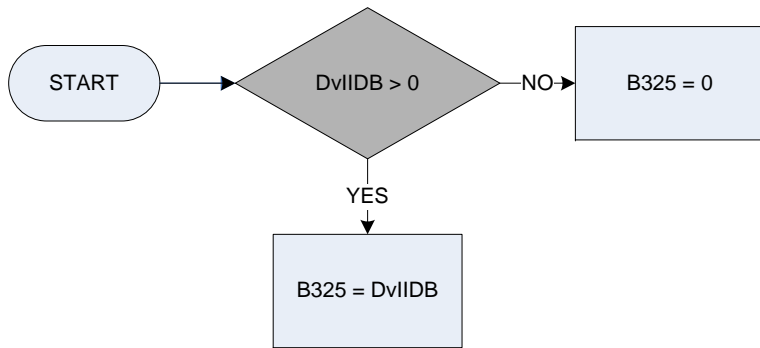


KEY

DvBonu

Derived from BonUPAmt to give a weekly amount - (*BonUPAmt - Pay: How much bonus/commission is included?*)

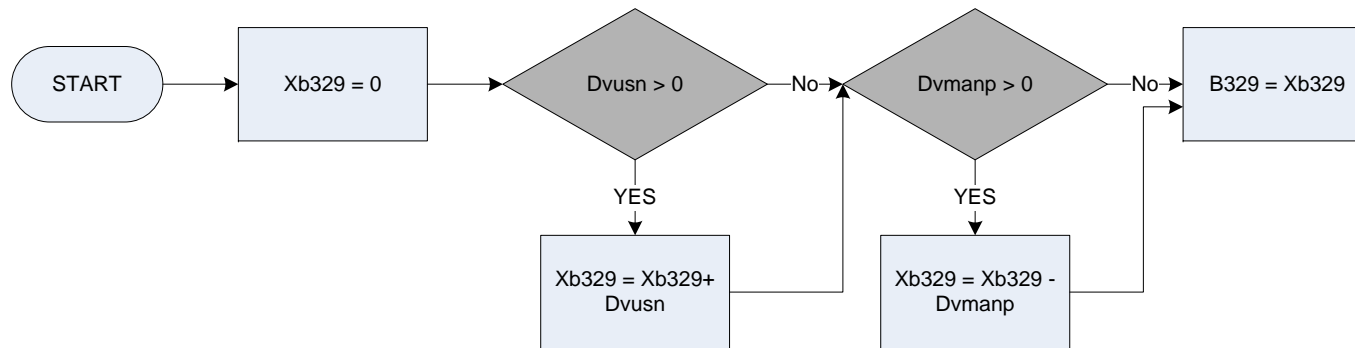
B325 – Industrial injury disablement benefit – last amount



KEY

DvIIDB Derived from response to Benamt to give a weekly amount for Industrial Injury Benefit (*Benamt: How much did the respondent get last time for this benefit?*)

B329 – Usual net pay - employee

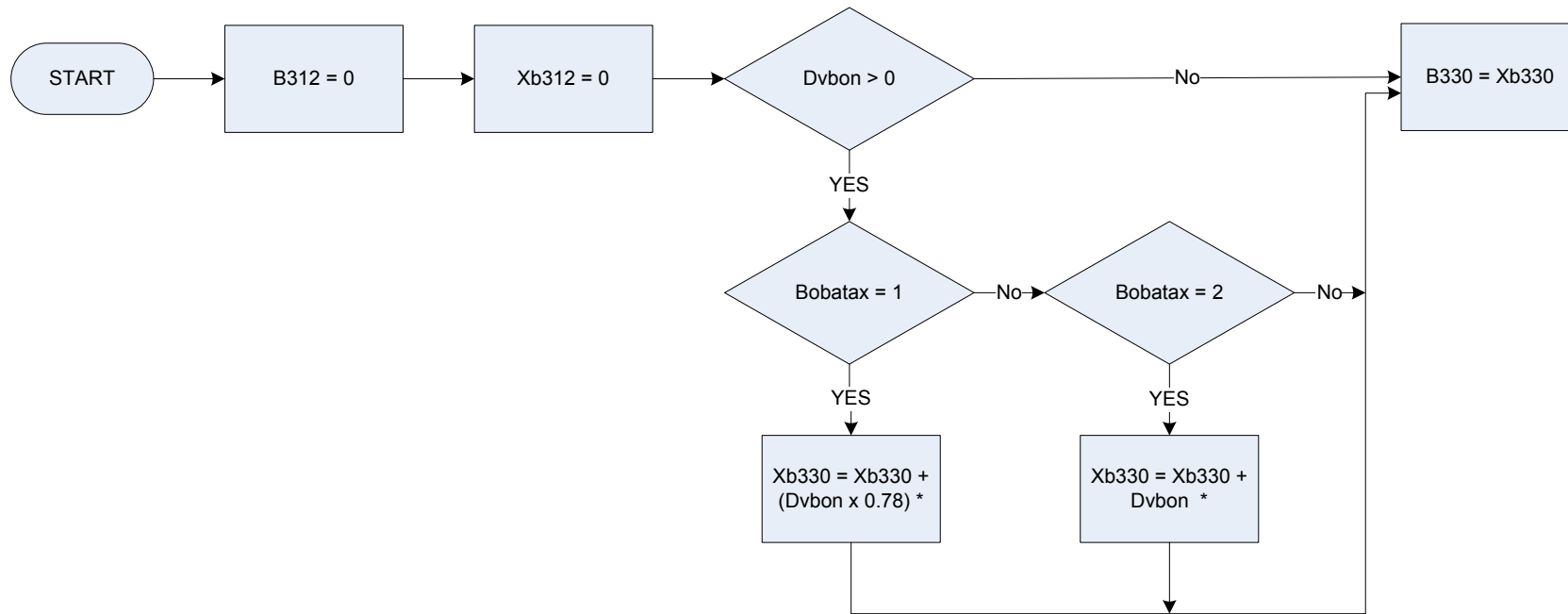


KEY

Dvmanp
Dvusn
Xb329

Derived from MalinNP to give a weekly amount - (*MalinNP* - usual motoring allowance Pay: How much is included, usually?)
Derived from UsNetPay to give a weekly amount - (*UsNetPay* - usual NET pay: amount paid each time AFTER all deductions)
Temporary Variable

B330 – Bonus earnings - net amount

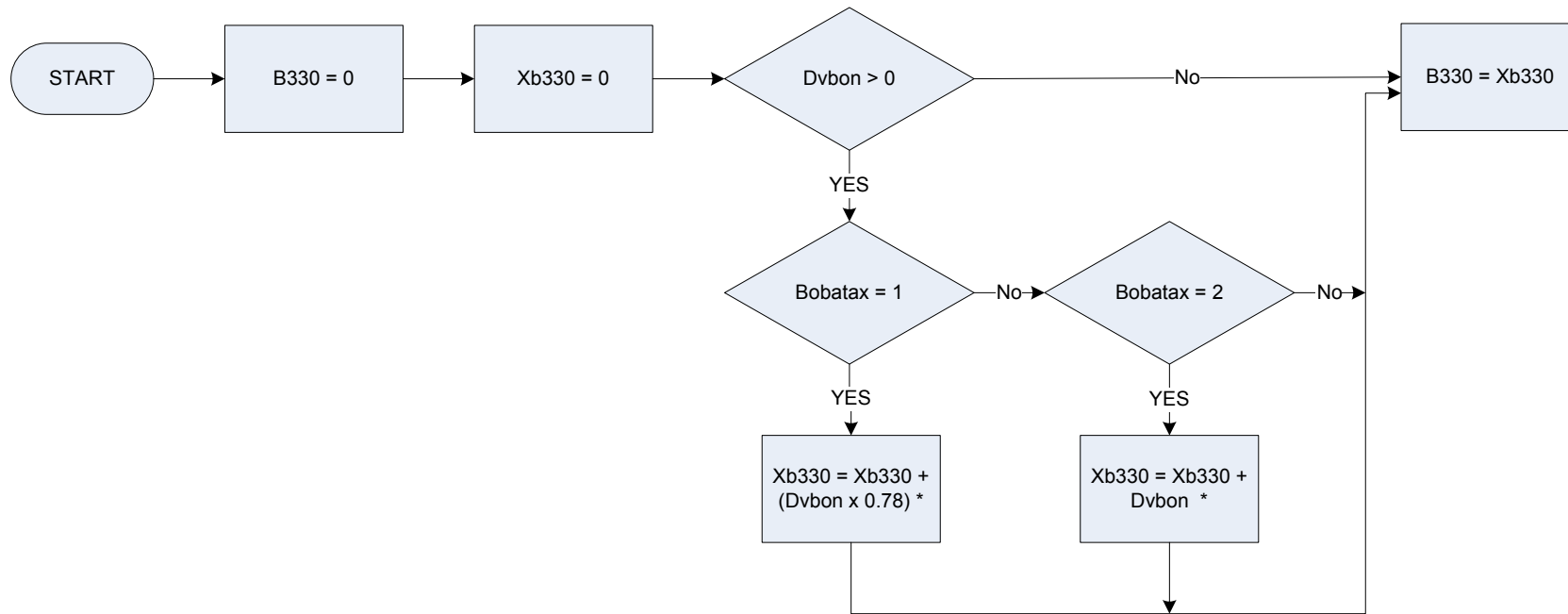


KEY

*If a respondent has indicated they have more than one bonus then these are both included in the total amount for B330.
 If respondent has stated at Bobatax that the Bonus earnings received were 'before tax', this value is multiplied by 0.78 to give a net amount

Bobatax	Was this amount before/after tax?
1	"before tax"
2	"after tax"
Dvbon	Derived from BonAm: How much was this bonus?
Xb330	Temporary variable used in calculations: Bonus earnings - net amount

B330 – Bonus earnings - net amount



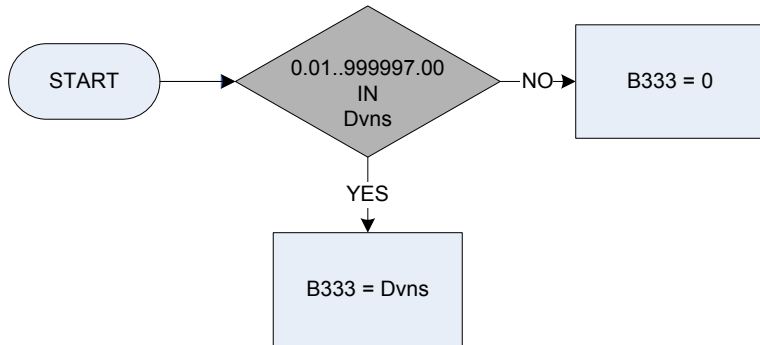
KEY

*If a respondent has indicated they have more than one bonus then these are both included in the total amount for B330.

Bobatax Was this amount before/after tax?
1 "before tax"
2 "after tax"

Dvbon Derived from BonAm to give a weekly amount - (BonAm - Pay: How much was this bonus?)
Xb330 Temporary variable used in calculations: Bonus earnings - net amount

B333 – National savings investment account – interest received

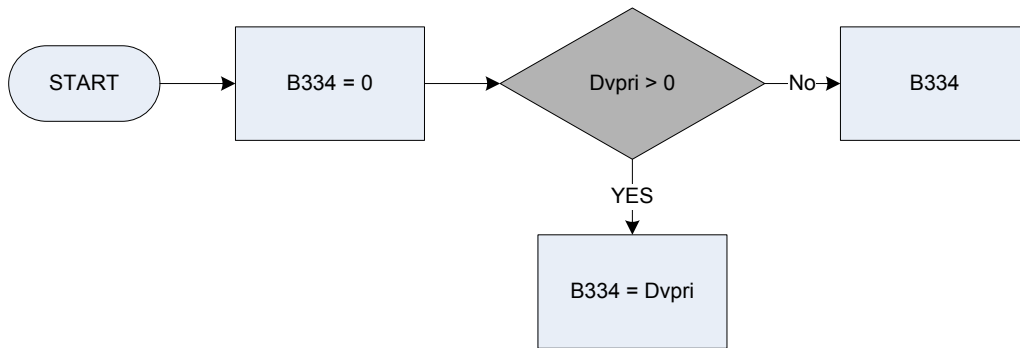


KEY

Dvns

Derived from NSAMT to give a weekly amount – (NSAMT - National Savings Account: What was the total interest over the last 12 months?)

B334 – Money sent abroad - amount

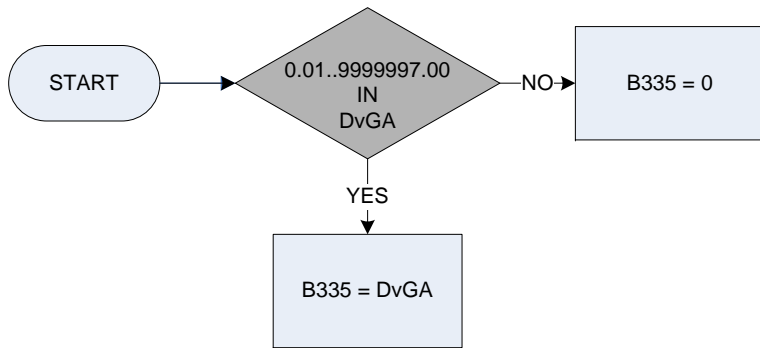


KEY

Dvpri

Derived from CashAmt to give a weekly amount – (*CashAmt – Money Sent: Amount sent to a private individual or charity in the last 12 months?*)

B335 – Guardian's allowance – amount received

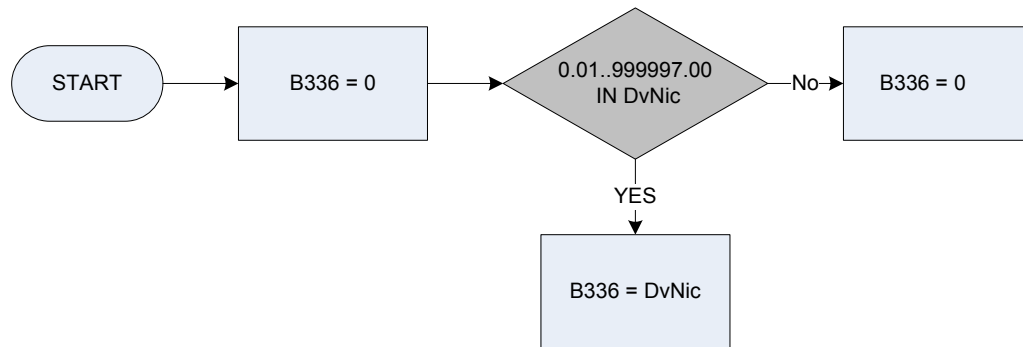


KEY

DvGA

Derived from response to Benamt to give a weekly amount for Guardian's allowance (*Benamt: How much did the respondent get last time for this benefit?*)

B336 – NI contributions - amount paid

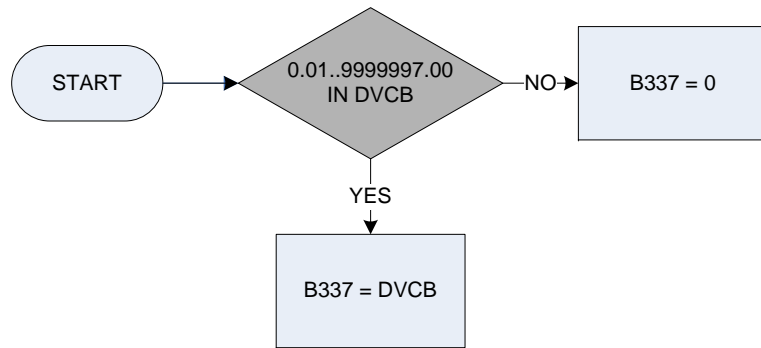


KEY

DvNic

Derived from Nicontam to give a weekly amount – (*Nicontam – National Insurance: How much was the last contribution the respondent paid?*)

B337 – Child benefit last amount received

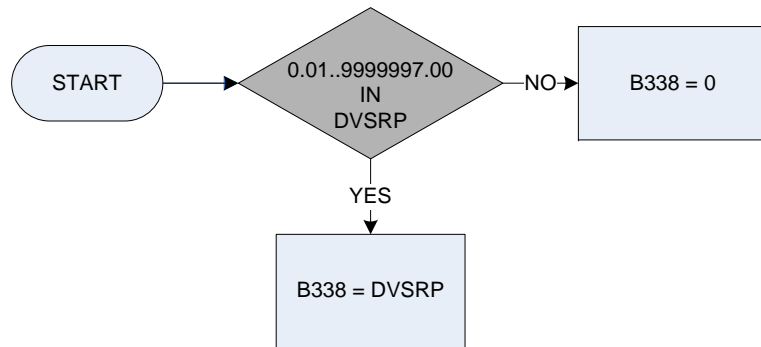


KEY

DVCB

Derived from response to Benamt to give weekly amount for Child Benefit (*Benamt: How much did the respondent get last time for this benefit?*)

B338 – State retirement pension – last amount received

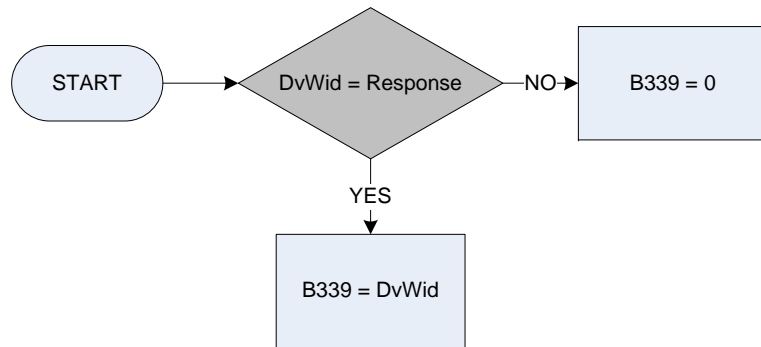


KEY

DVSRP

Derived from response to Benamt to give weekly amount for State retirement pension (*Benamt: How much did the respondent get last time for this benefit?*)

B339 – Widow's Pension, Bereavement Allowance, Widowed Parent's Allowance - amount of last payment

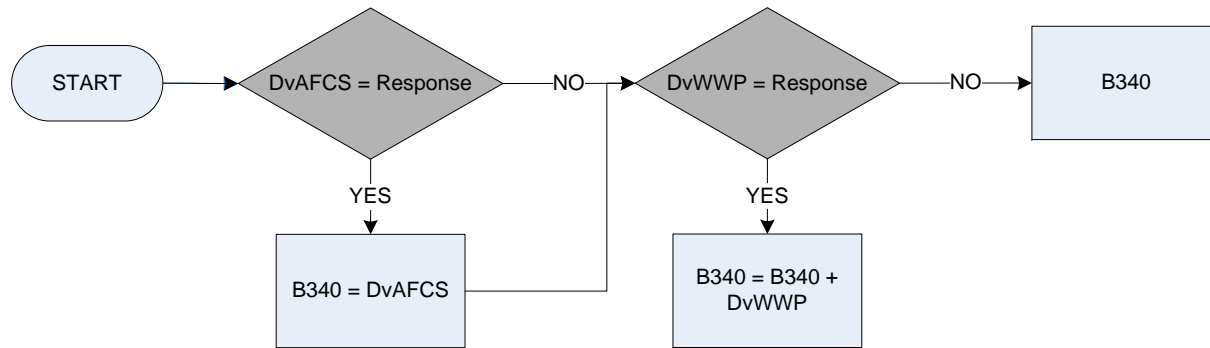


KEY

DVWid

Derived from response to Benamt to give a weekly amount for widow's pension, bereavement allowance and widowed parent's allowance
(Benamt: How much did the respondent get last time for this benefit?)

B340 – Armed Forces Compensation Scheme | War widow's Pension - amount received



KEY

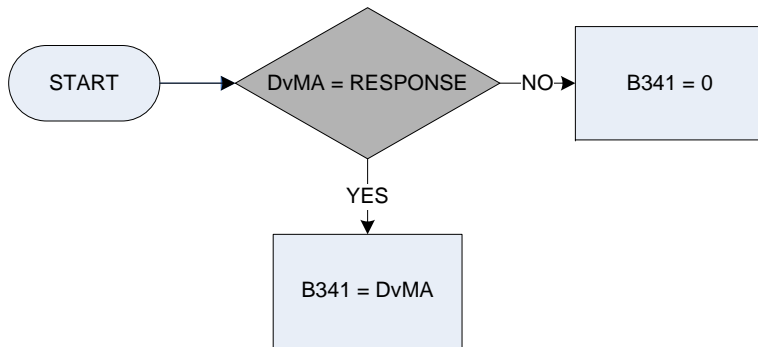
DvAFCS

Derived from response to Benamt to give a weekly amount for Armed Forces Compensation Scheme (*Benamt: How much did the respondent get last time for this benefit?*)

DvWWP

Derived from response to Benamt to give a weekly amount for War Widows' Pension Scheme (*Benamt: How much did the respondent get last time for this benefit?*)

B341 – Maternity allowance – amount received

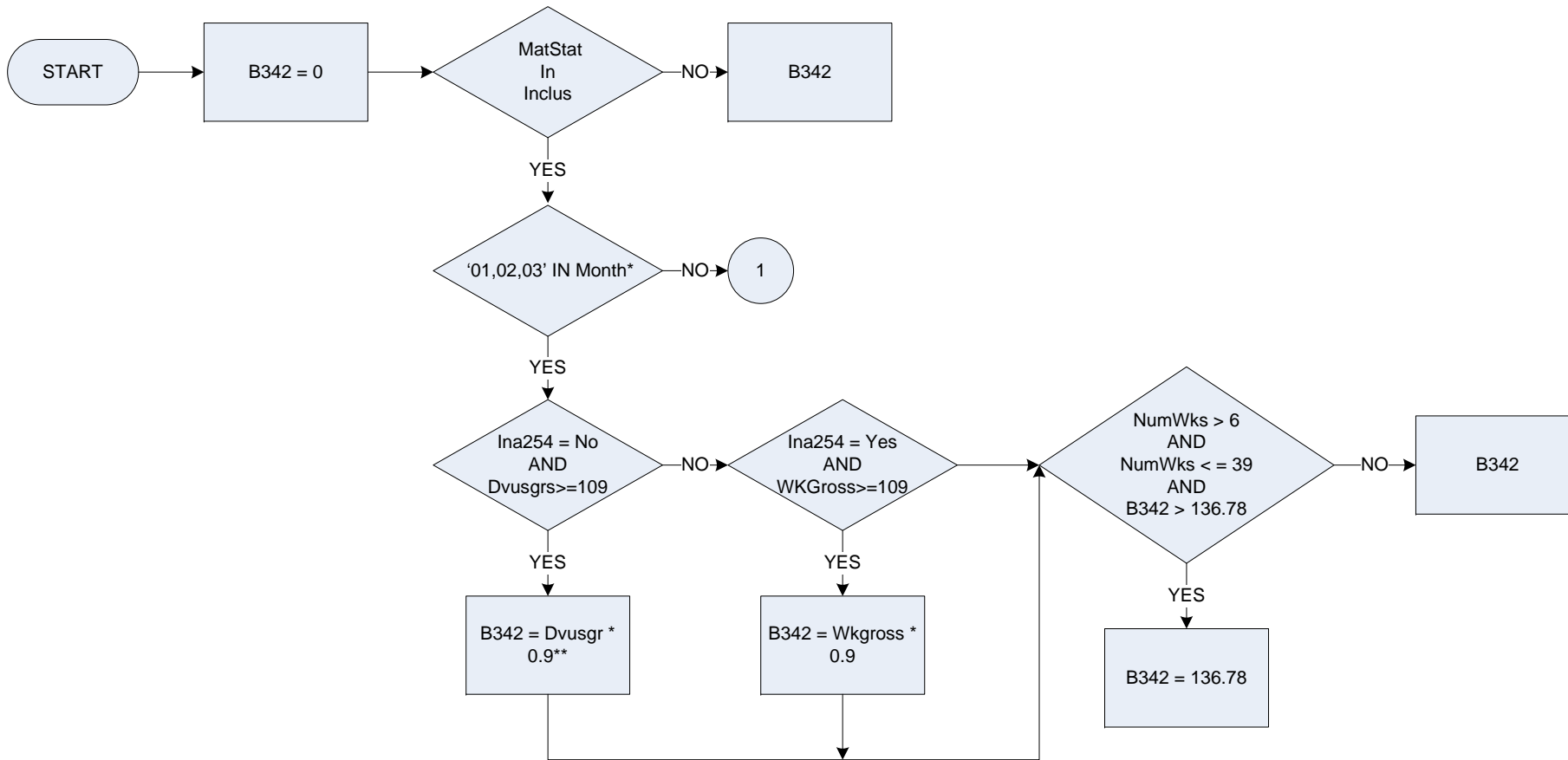


KEY

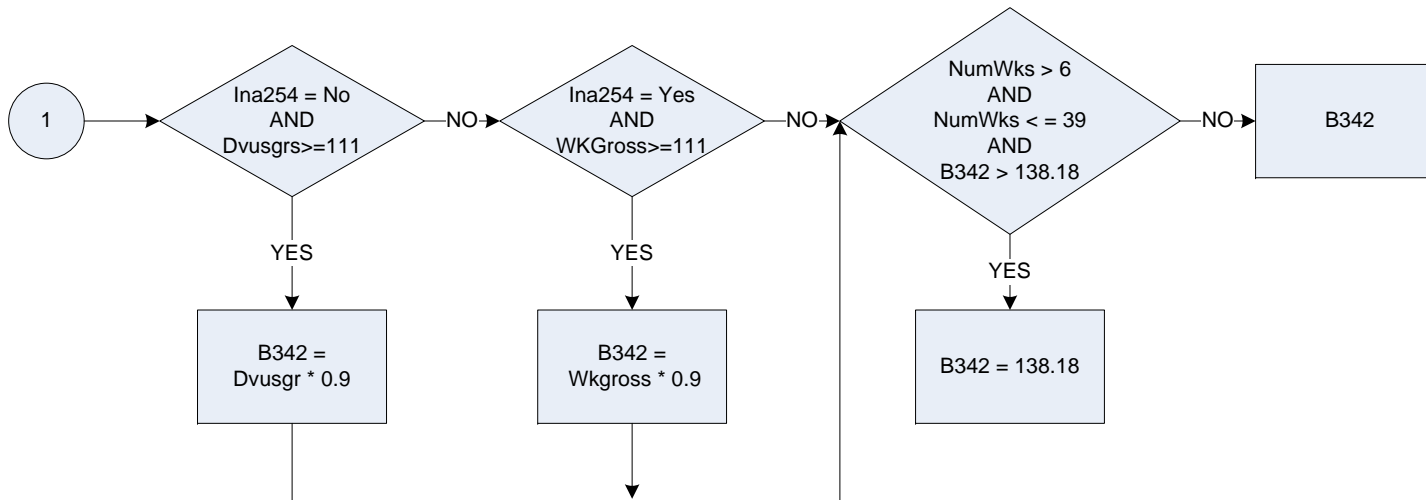
DvMA

Derived from response to Benamt to give a weekly amount for Maternity allowance (*Benamt: How much did the respondent get last time for this benefit?*)

B342 - Statutory maternity pay - amount received



B342 - Statutory maternity pay - amount received



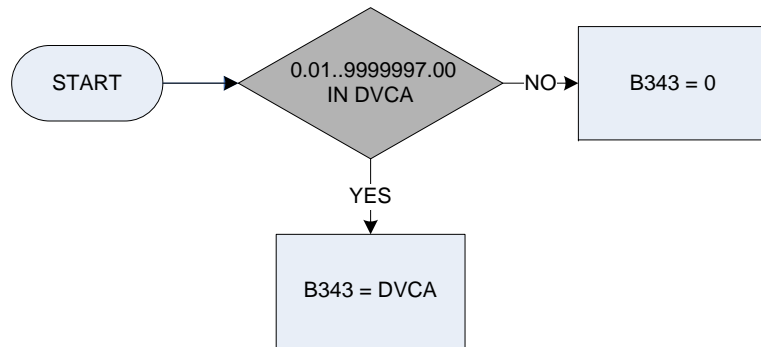
KEY

* Respondents in January, February and March samples are routed differently due to the changes made for the new financial year

** To calculate amount of Statutory Maternity Pay, the respondent's income is multiplied by 0.9, as Statutory Maternity Pay is 90% of income

Dvusgr	Derived from UsGroPay – (<i>UsGroPay – Pay: What does/did the respondent usually receive each time they are/were paid, BEFORE all deductions?</i>)
Ina254	Was the last take home pay the amount the respondent usually receives?
	1 Yes
	2 No
	3 No usual amount
Inclus	Did the respondent's last wage/salary include any of these items?
	StatSick Statutory Sick Pay
	MatStat Statutory Maternity Pay
	PatStat Statutory Paternity Pay
	AdopStat Statutory Adoption Pay
	TaxRefnd Income Tax Refund
	MileAllw Mileage Allowance or fixed allowance for motoring
	MotExpen Motoring Expenses Refund
	None None of these
Month	Sample month
NumWks	Number of weeks in the last 12 months Statutory Maternity Pay was received by respondent
WkGross	Weekly gross pay received

B343 – Carers allowance – amount received

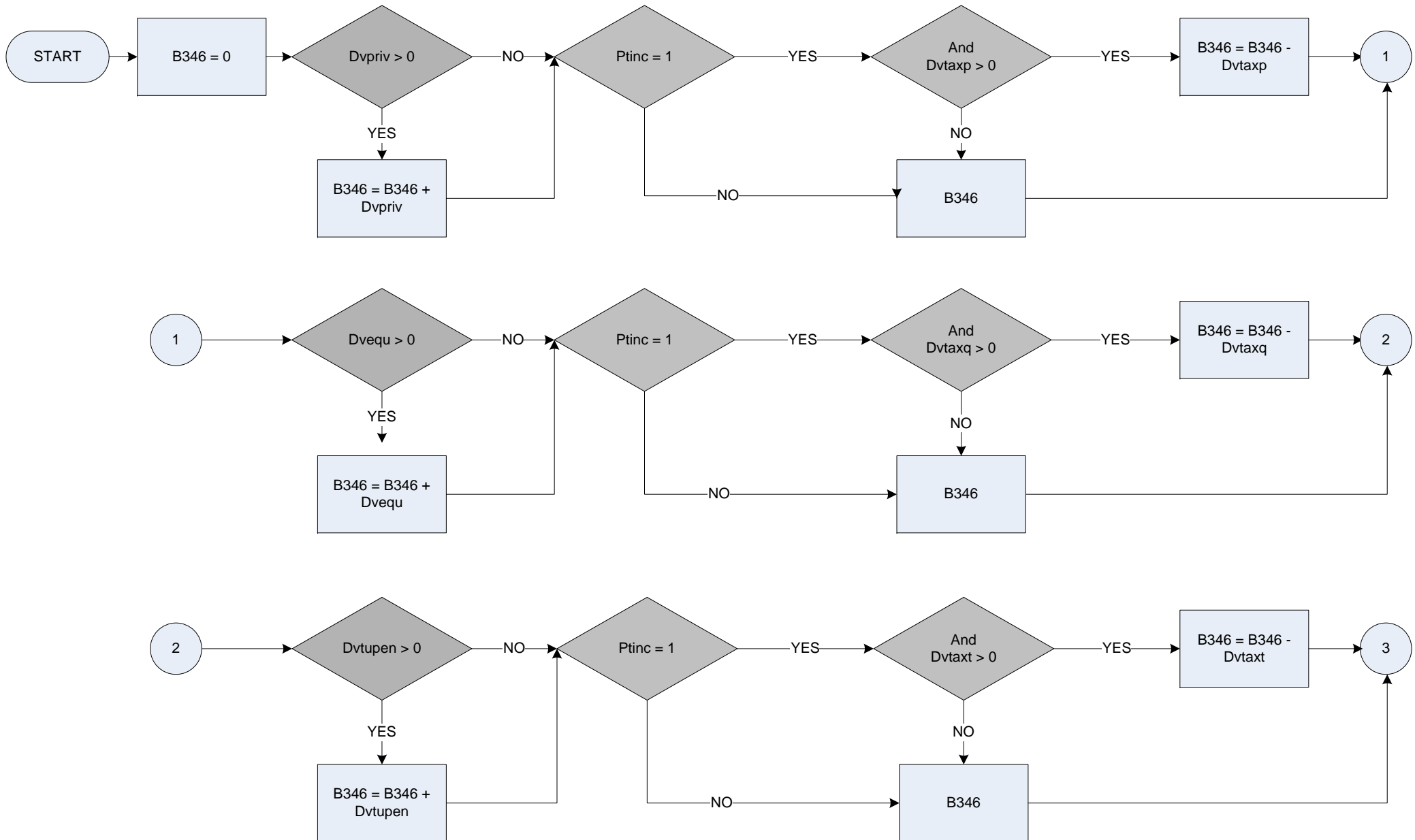


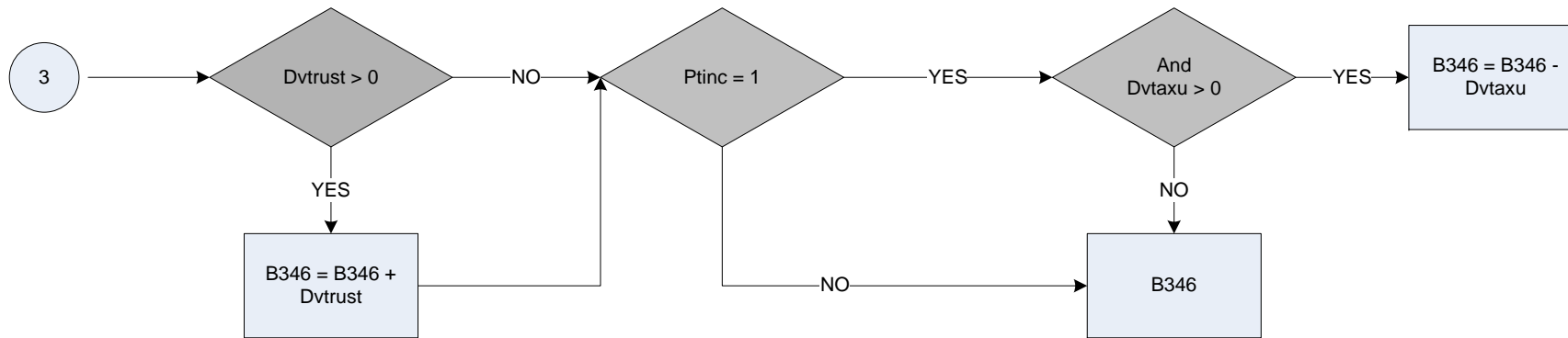
KEY

DVCA

Derived from response to Benamt to give a weekly amount for Carers allowance (*Benamt: How much did the respondent get last time for this benefit?*)

B346 – Annuity/trust/covenant – last net payment

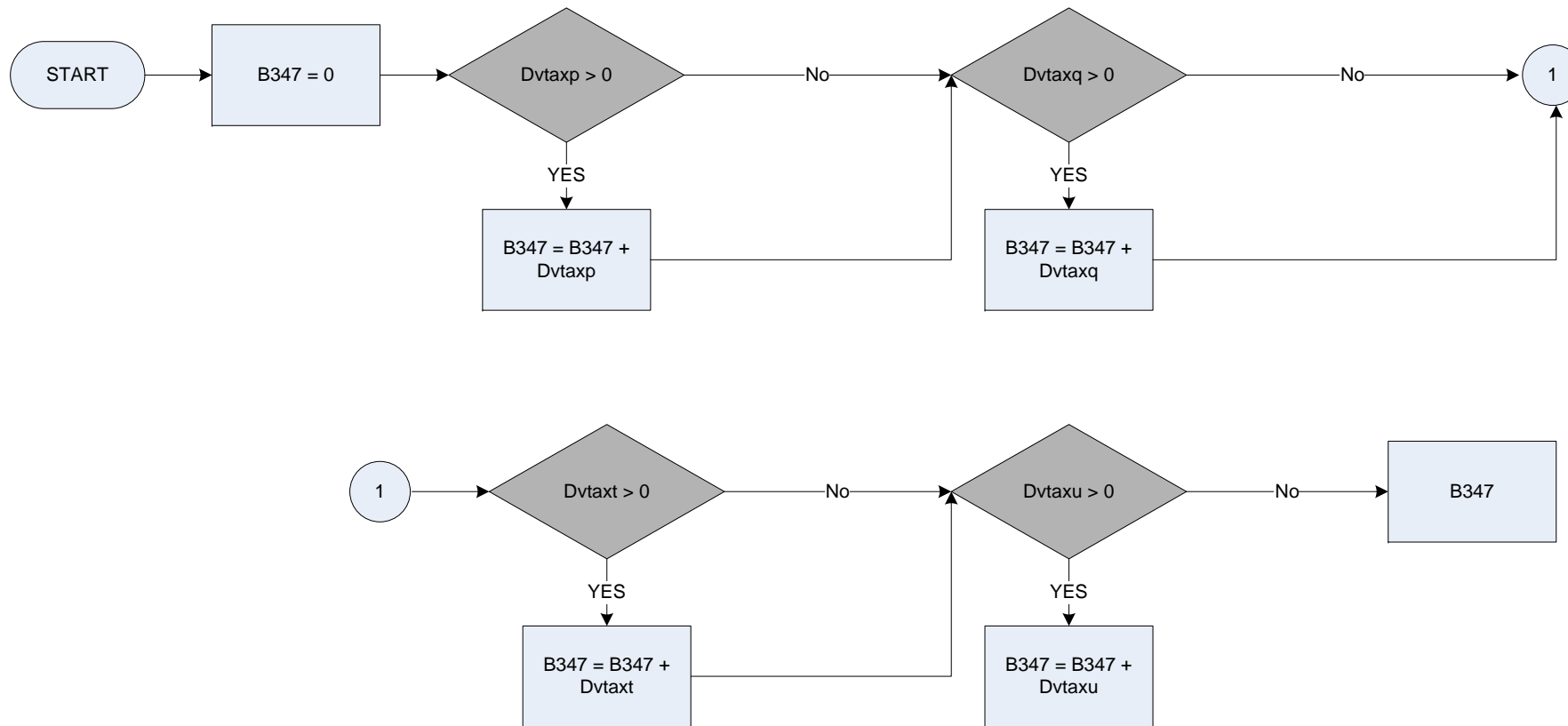




KEY

Dvpriv	Derived from INCAMT - Pensions: How much did you receive last time? DV for personal private pensions
Dvequ	Derived from INCAMT - Pensions: How much did you receive last time? DV for annuity/equity release plan
Dvtupen	Derived from INCAMT - Pensions: How much did you receive last time? DV for trade union/ friendly society pension
Dvtrust	Derived from INCAMT - Pensions: How much did you receive last time? DV for trust income
Dvtaxp	Derived from TAXAMT - Pensions: How much tax was deducted? DV for personal private pensions
Dvtaxq	Derived from TAXAMT - Pensions: How much tax was deducted? DV for annuity/equity release plan
Dvtaxt	Derived from TAXAMT - Pensions: How much tax was deducted? DV for trade union/ friendly society pension
Dvtaxu	Derived from TAXAMT - Pensions: How much tax was deducted? DV for trust income
Ptinc	Last payment before tax deducted

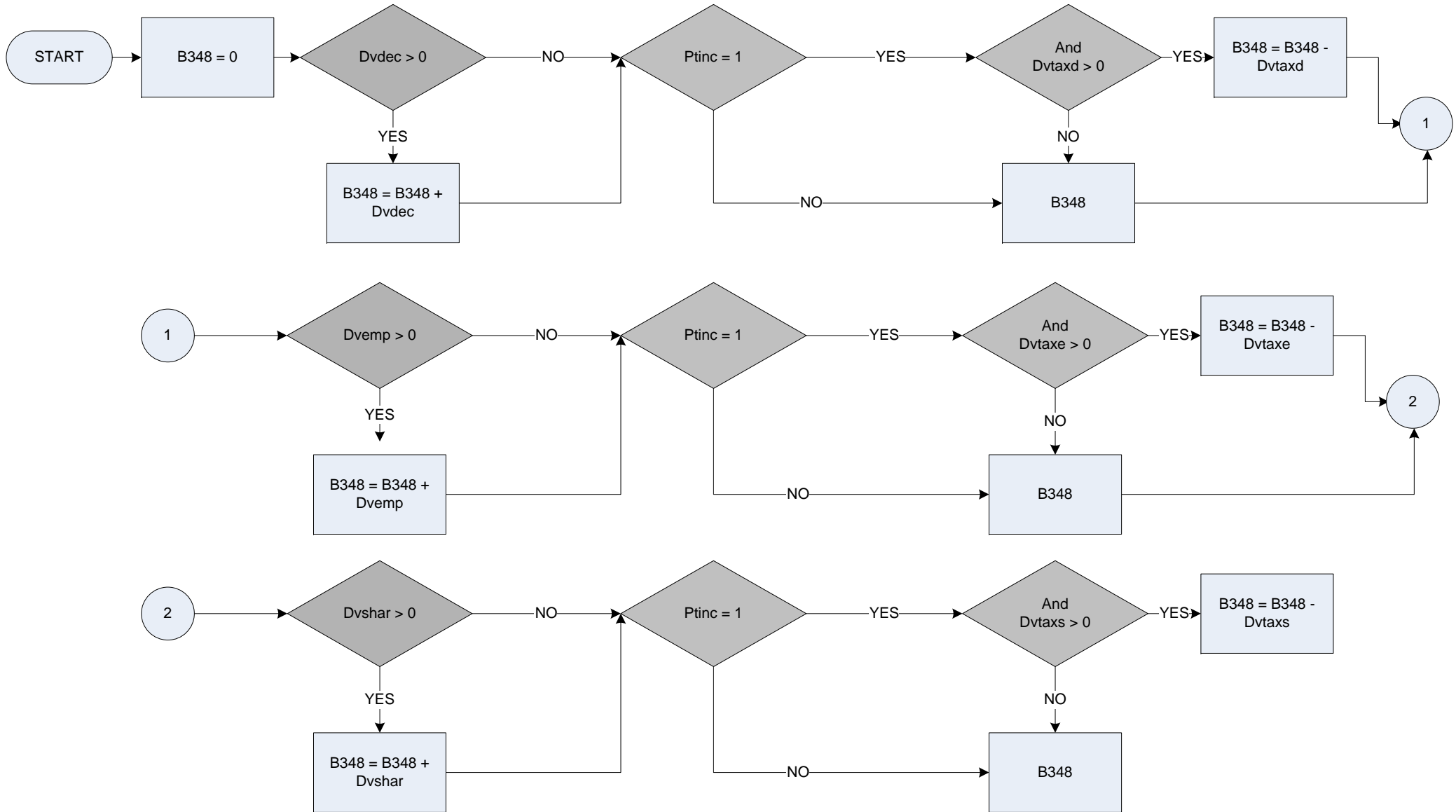
B347 – Annuity/trust/covenant – amount tax deducted



KEY

- Dvtaxp** Derived from TaxAmt – Pensions: How much tax was deducted? Dv for weekly private personal pension
Dvtaxq Derived from TaxAmt - Pensions: How much tax was deducted? Dv for weekly annuity/equity release
Dvtaxt Derived from TaxAmt - Pensions: How much tax was deducted? Dv for weekly trade union/friendly society
Dvtaxu Derived from TaxAmt - Pensions: How much tax was deducted? Dv for weekly trust income

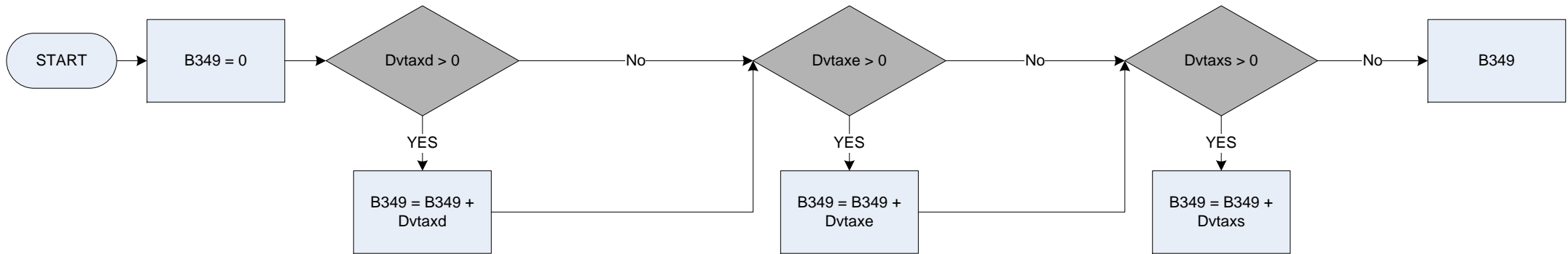
B348 – Pension (public/private) last net payment



KEY

Dvdec Derived from INCAMT - Pensions: How much did you receive last time? DV for deceased partner/relative
Dvemp Derived from INCAMT - Pensions: How much did you receive last time? DV for previous employer
Dvshar Derived from INCAMT - Pensions: How much did you receive last time? DV for court order/settlement
Dvtaxd Derived from TAXAMT - Pensions: How much tax was deducted? DV for deceased partner/relative
Dvtaxe Derived from TAXAMT - Pensions: How much tax was deducted? DV for previous employer
Dvtaxs Derived from TAXAMT - Pensions: How much tax was deducted? DV for court order/settlement
Ptinc Last payment before tax deducted

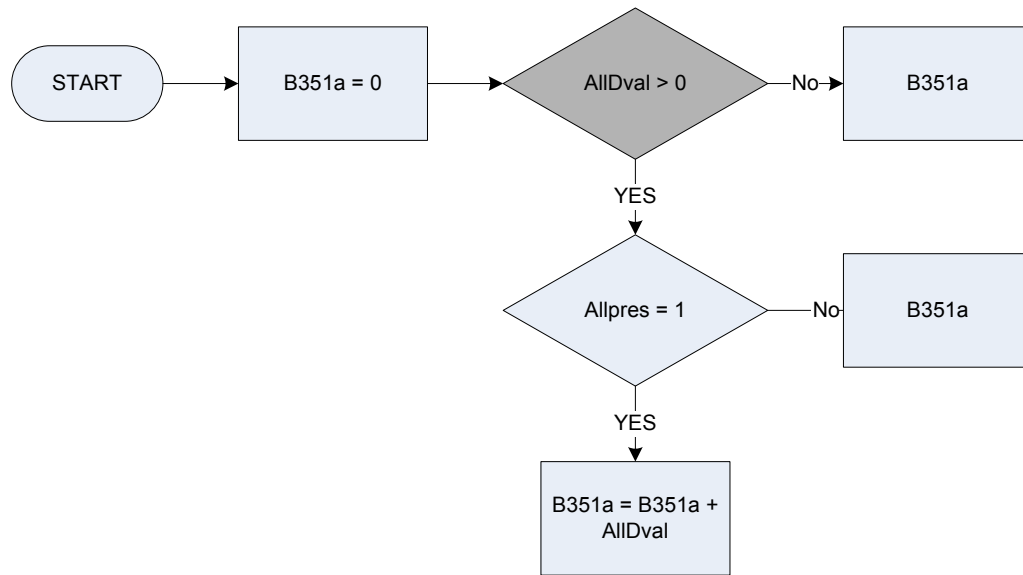
B349 – Pension (public/private) amount tax deducted



KEY

Dvtaxd Derived from TaxAmt – Pensions: How much tax was deducted? Dv for weekly deceased partner/relative pension
Dvtaxe Derived from TaxAmt - Pensions: How much tax was deducted? Dv for weekly employee pension
Dvtaxs Derived from TaxAmt - Pensions: How much tax was deducted? Dv for weekly court order/settlement

B351a – Regular allowances from outside household received at present



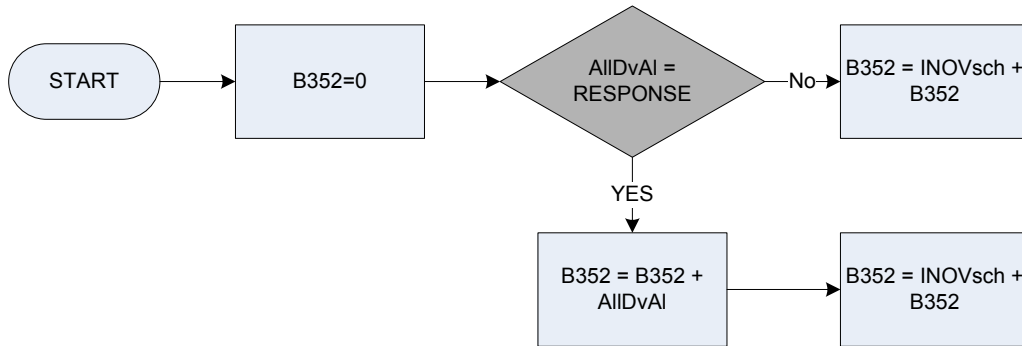
KEY

AllDval
Allpres

Derived from AllRecAm to give a weekly amount – (*AllRecAm - Allowances: How much did the respondent receive last time?*)
Is the respondent receiving this allowance at present?

1 Yes
2 No

B352 – Regular allowances from outside household: spouse/non spouse

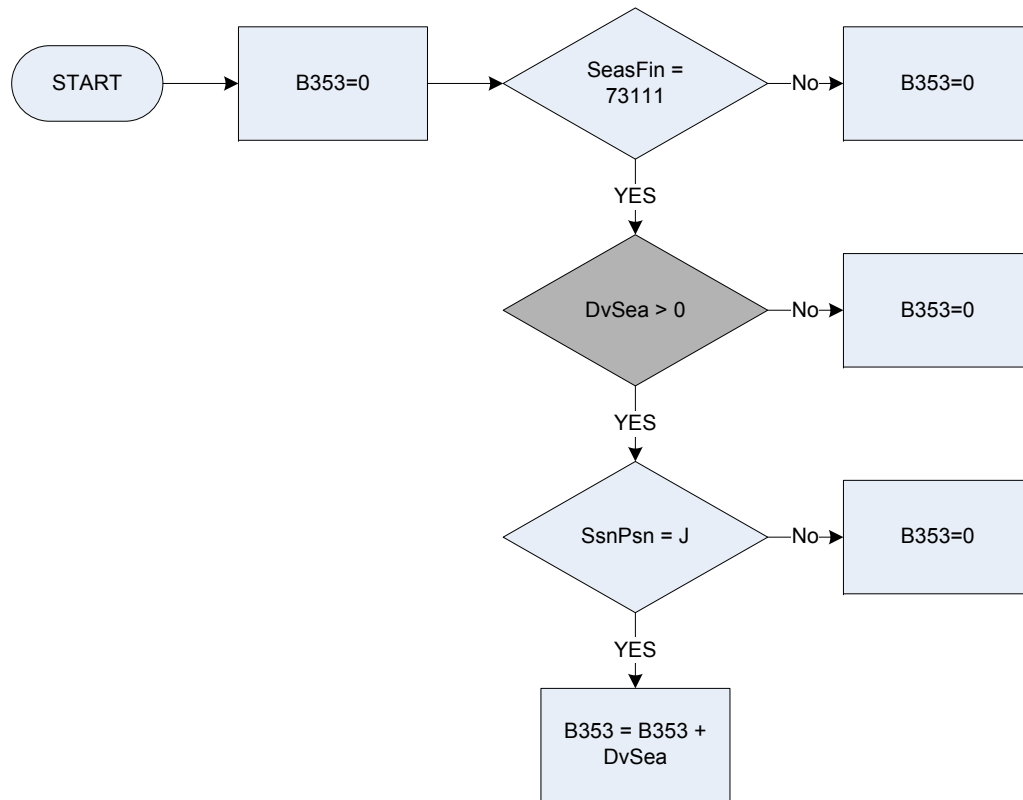


KEY

AIIDvAI
INOVSCH

Derived from AllRecAm to give a weekly amount - (AllRecAm - Allowances: How much did the respondent receive last time?)
Education grant received from overseas sponsor

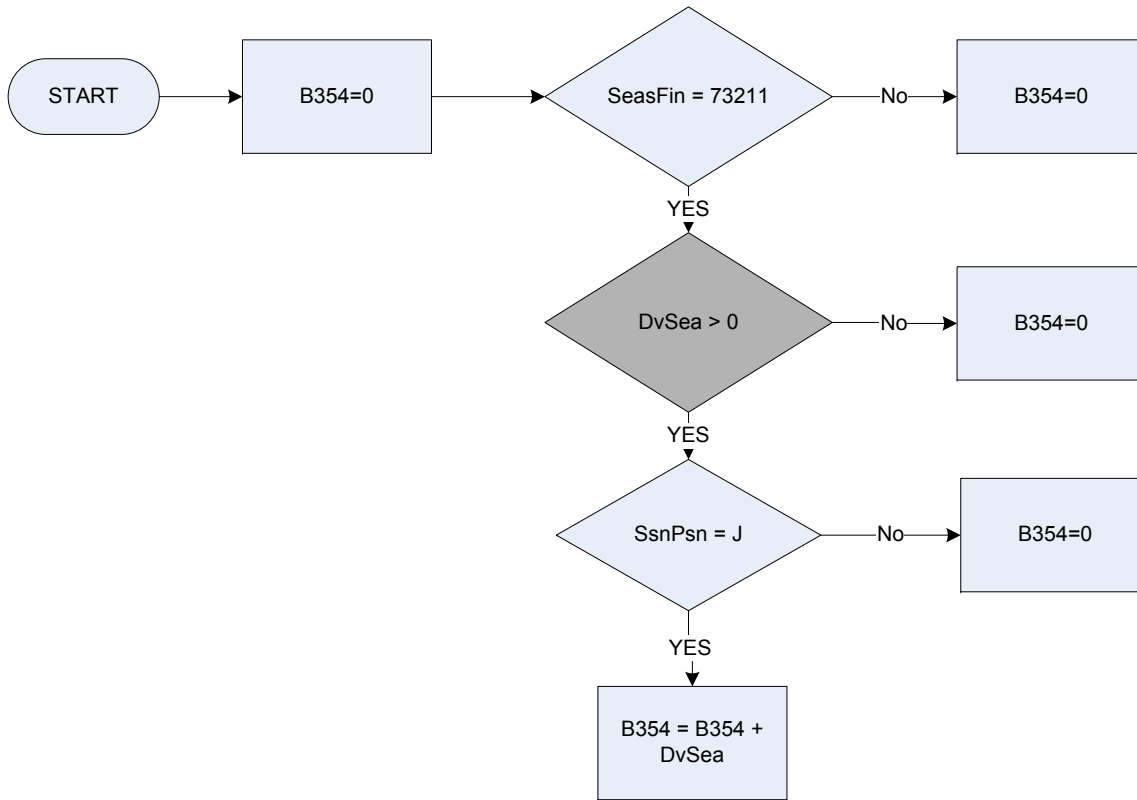
B353 – Season ticket – rail/tube – total net amount



KEY

DvSea Derived from SeasVal to give a weekly amount – (SeasVal – Season Ticket: How much was paid for it?)
SeasFin Expenditure Code
SsnPsn Which person paid for this ticket?

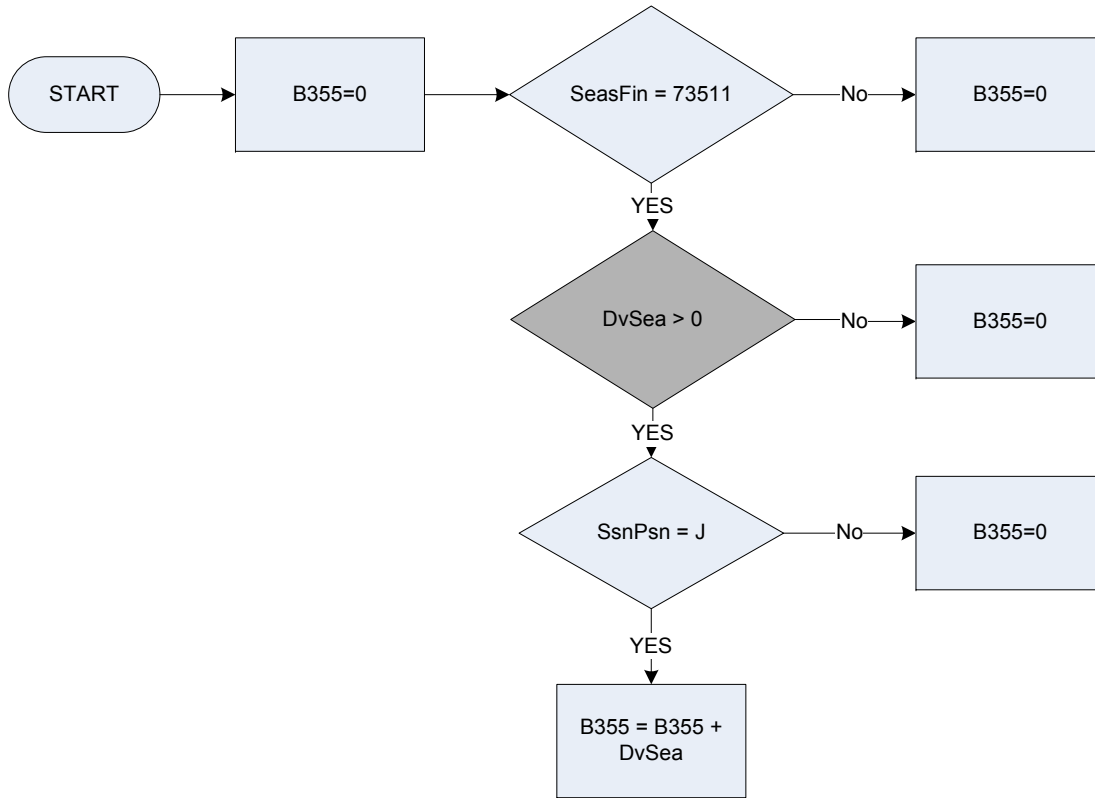
B354 – Season ticket – bus/coach – total net amount



KEY

- DvSea** Derived from SeasVal to give a weekly amount – (*SeasVal – Season Ticket: How much did the respondent pay for it?*)
- SeasFin** Season Tickets: Expenditure Code - Bus and coach season tickets
- SsnPsn** Who paid for this ticket?

B355 – Season ticket – rail/bus – total net amount

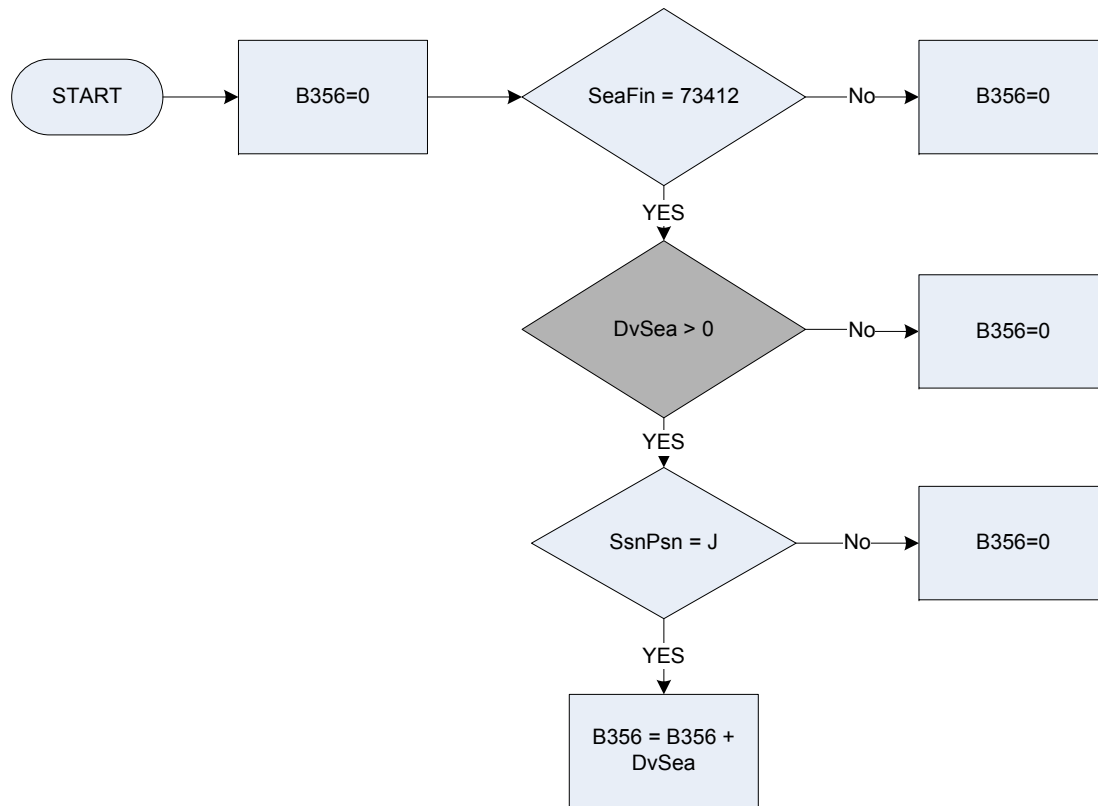


KEY

DvSea
SeasFin
SsnPsn

Derived from SeasVal to give a weekly amount – (SeasVal – Season Ticket: How much did the respondent pay for it?)
Season Tickets: Expenditure Code- Combined fare season tickets
Who paid for this ticket?

B356 – Season ticket – Water travel – total net amount

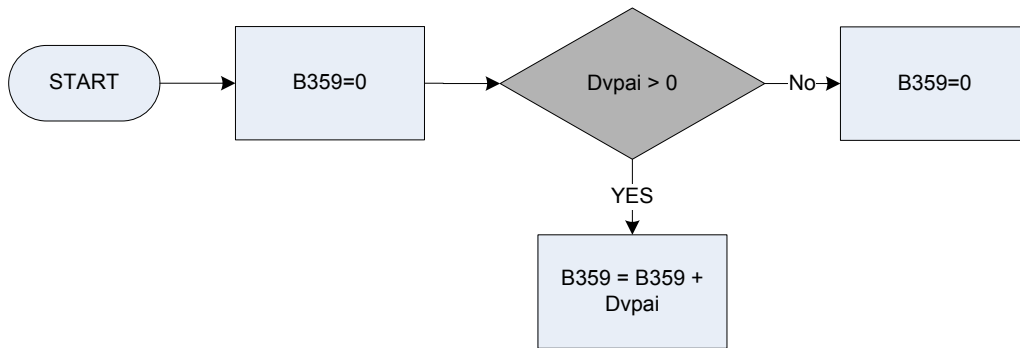


KEY

DvSea
SeasFin
SsnPsn

Derived from SeasVal to give a weekly amount – (SeasVal – Season Tickets: How much did the respondent pay for it?)
Season Tickets: Expenditure Code - Water travel season tickets
Season Tickets: Who paid for this ticket?

B359 – Education grant – amount received in cash

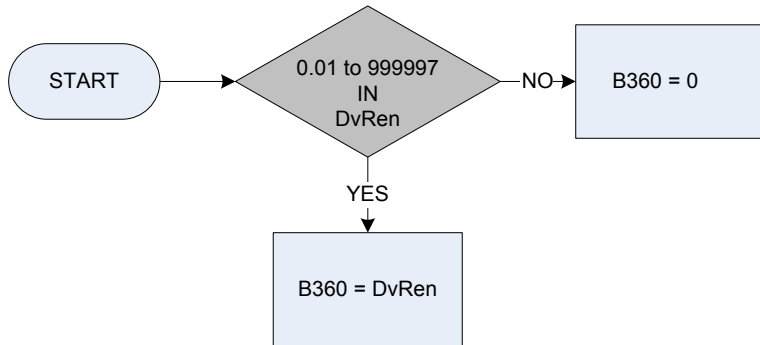


KEY

Dvpai

Derived from PaidDir give a weekly amount – (*PaidDir -Education: How much of the grant is paid direct to [name]?*)

B360 – Rent from property – amount received

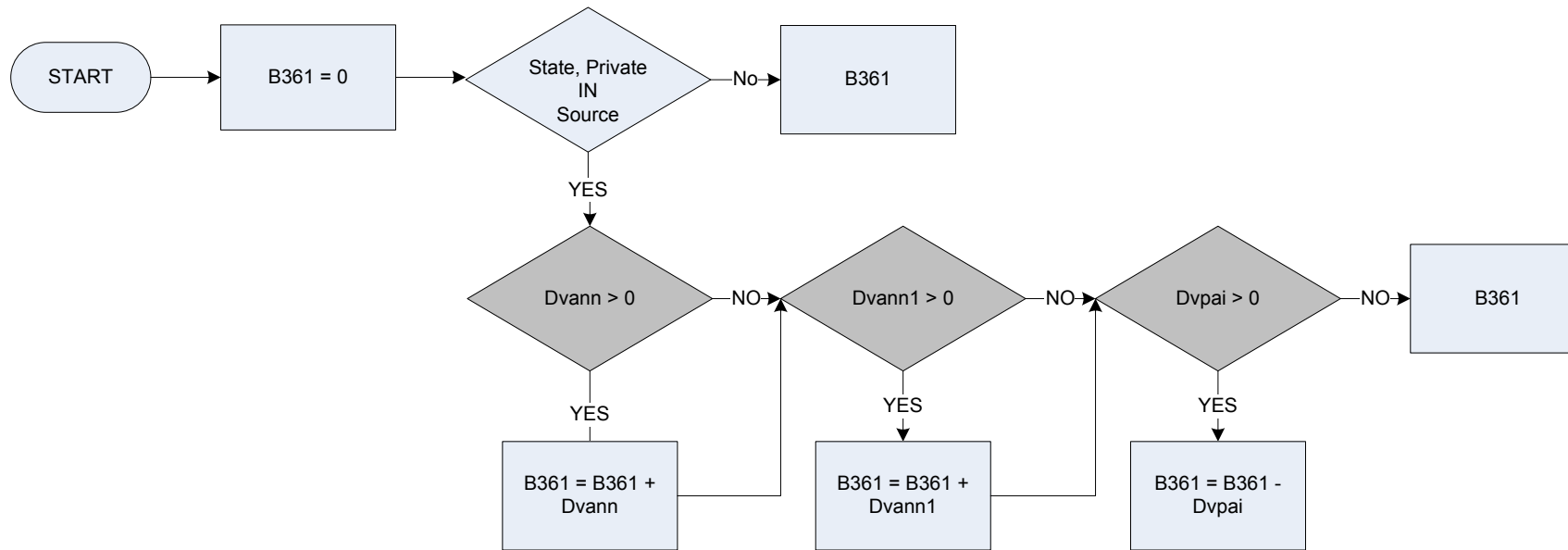


KEY

DvRen

Derived from RenRecAm to give a weekly amount – (*RenRecAm - Other Income: How much did the respondent receive in the last 12 months, before deducting income tax but after deducting all allowable expenses?*)

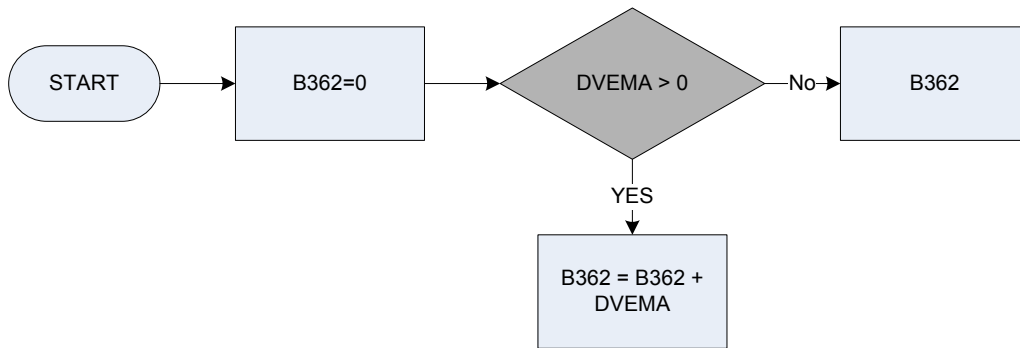
B361 – Education grant – total value less cash received



KEY

Dvann Derived from AnnVal to give a weekly amount – (*AnnVal - Education: What is the current annual value of the grant?*)
Dvann1 Derived from AnnFees to give a weekly amount – (*AnnFees - Education: What is the current annual value of the grant including fees?*)
Dvpai Derived from PaidDir to give a weekly amount – (*PaidDir - Education: How much of the grant is paid direct to [name]?*)
Source Source of the grant: State, Pension

B362 – Educational maintenance allowance – amount received

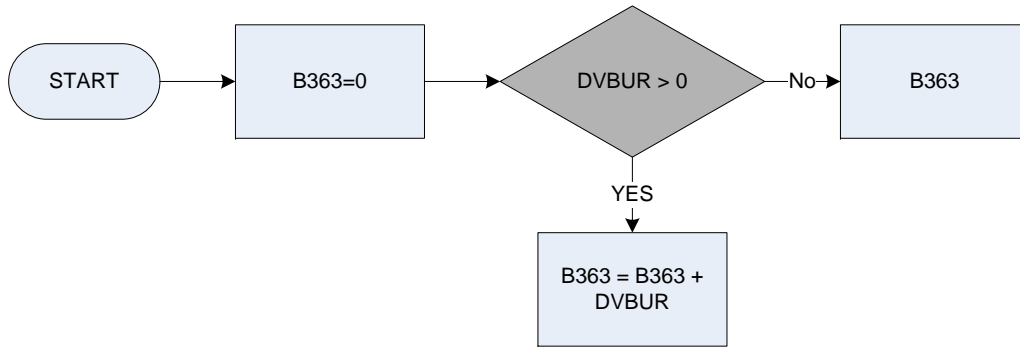


KEY

Dvema

Derived for Educational Maintenance Allowance to give a weekly amount - (*Dvema – What was the amount received?*)

B363 – 16 - 19 Bursary – amount received

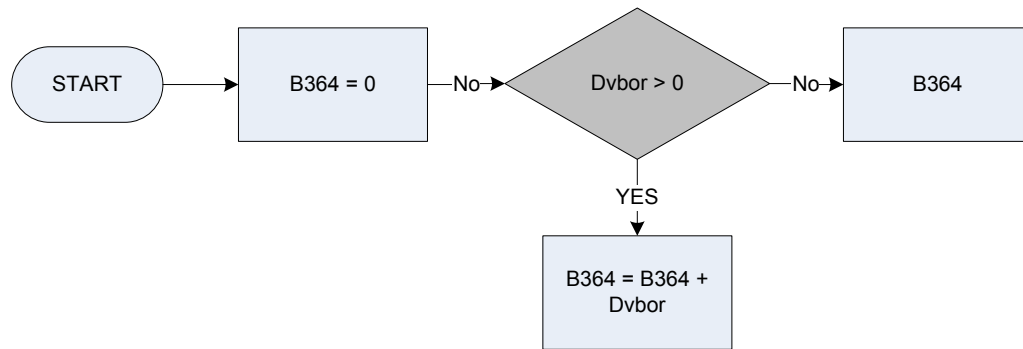


KEY

DVBUR

Derived from BurAmt to give a weekly amount (*BurAmt: 16-19 Bursary – How much did you receive last time?*)

B364 – Student top up loan – amount received

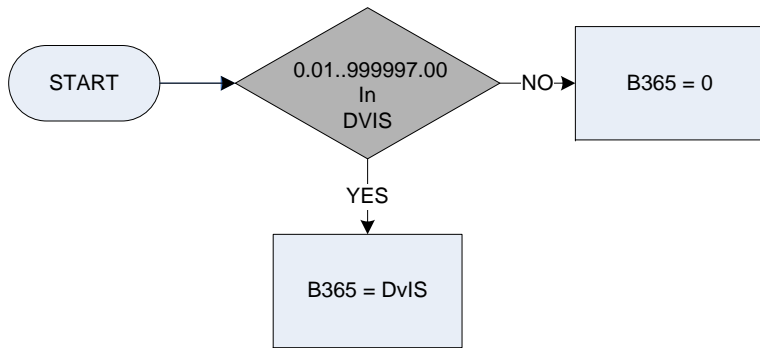


KEY

DVbor

Derived from BorEst to give a weekly amount – (*BorEst - Education: How much altogether will be borrowed during this academic year?*)

B365 – Income support – amount received

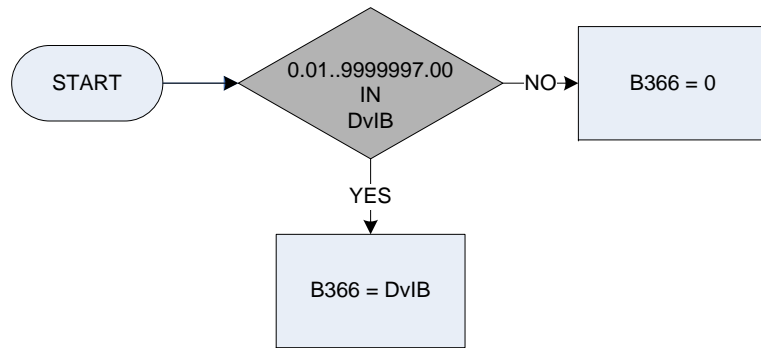


KEY

DVIS

Derived from response to Benamt to give a weekly amount for income support (*Benamt - How much did the respondent get last time for this benefit?*)

B366 – Incapacity benefit – amount last received

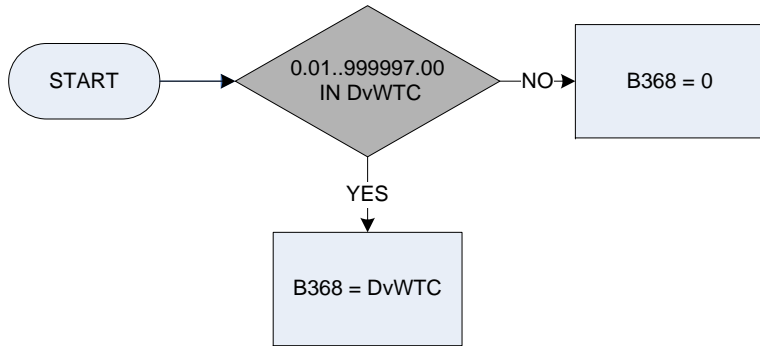


KEY

DvIB

Derived from response to Benamt to give a weekly amount for sickness, incapacity or invalidity benefit (*Benamt: How much did the respondent get last time for this benefit?*)

B368 – Working Tax Credit – last amount received

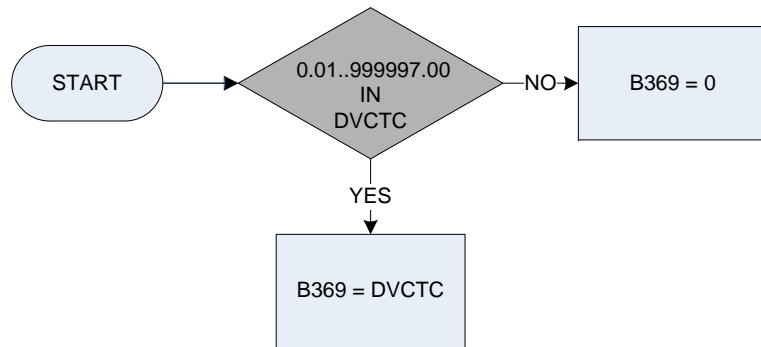


KEY

DvWTC

Derived from Benamt to give a weekly figure (*Benamt: How much did the respondent get last time for this benefit?*)

B369 - Child Tax Credit received as a benefit

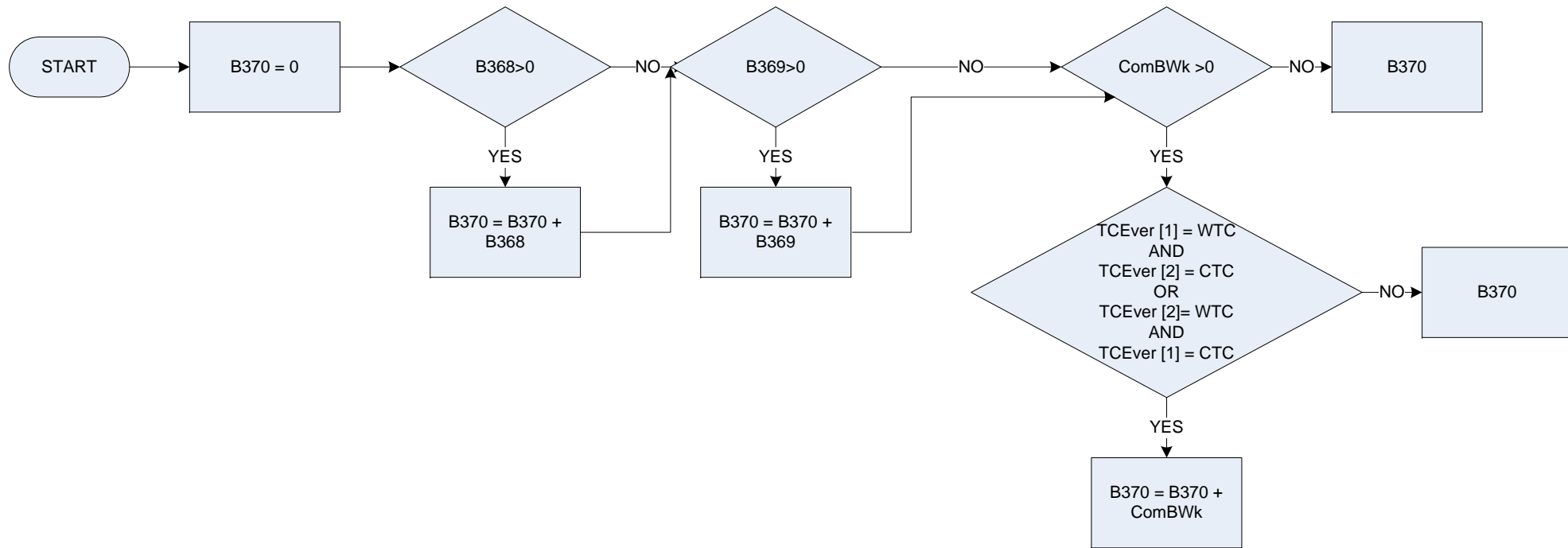


KEY

DVCTC

Derived from response to Benamt to give a weekly amount – (*Benamt: How much did the respondent get last time for this benefit?*)

B370 - Tax credits received as benefits



KEY

B368 Working Tax Credit -last amount received as a benefit, excludes amounts where CTC and WTC are paid in combination

B369 Child tax Credit - last amount received as a benefit, excludes amounts where CTC and WTC are paid in combination

ComBwK ComBAm Weekly amount.

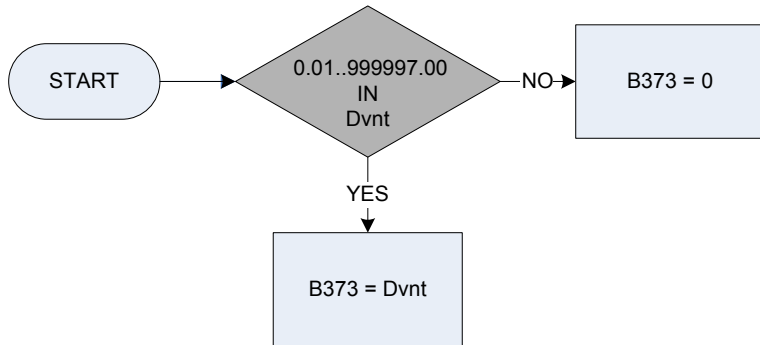
TCEver Has the respondent ever received any tax credit payments since April 2003 (when Working Tax Credit and Child Tax Credit were introduced)?

WTC Working Tax Credit (excluding any childcare tax credit)

CTC Child Tax Credit (including any childcare tax credit)

None None of these

B373 – Nat savings ordinary account – interest received

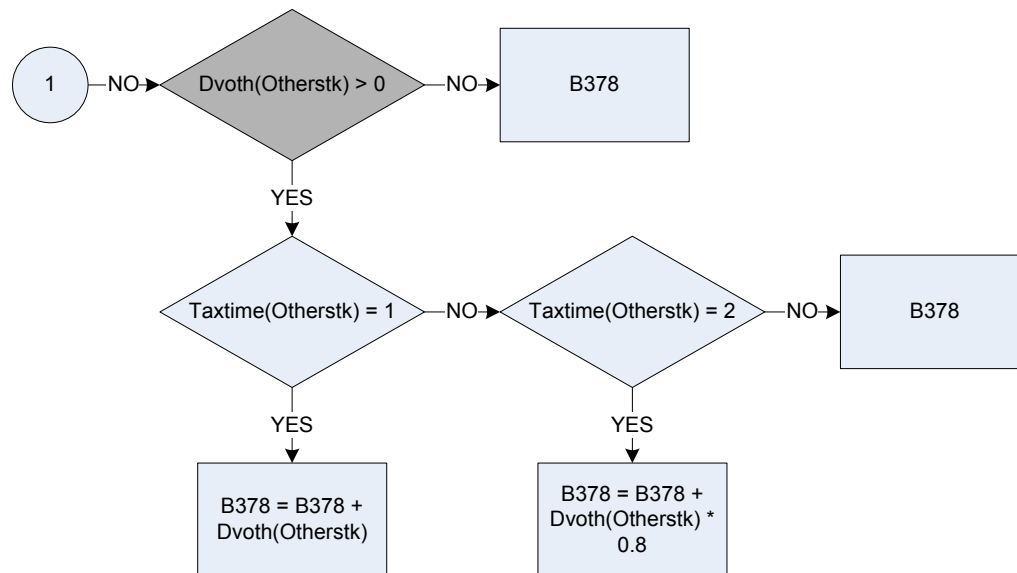
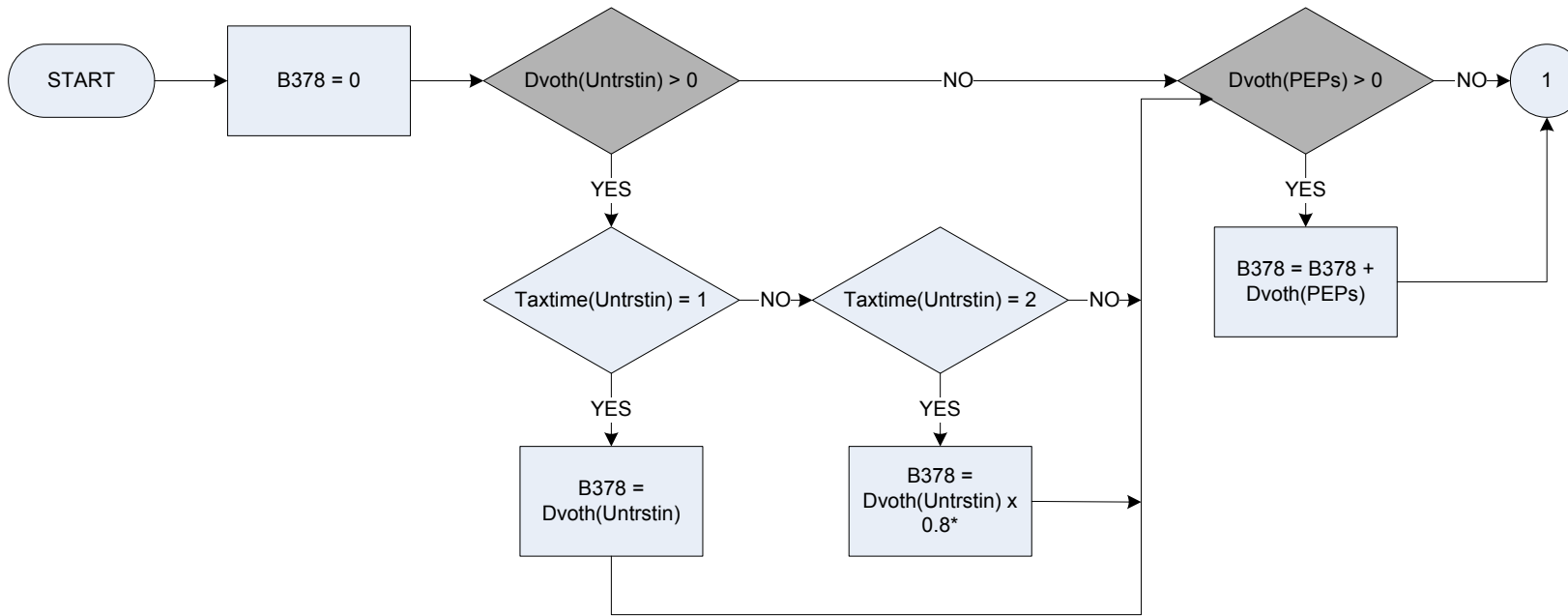


KEY

Dvnt

Derived from NtAmt to give a weekly amount – (NtAmt - National Savings Account: What was the total interest over the last 12 months?)

B378 – Stocks/shares etc – interest/dividends after tax



KEY

* If respondent has stated at Taxtime that the interest received on the investment was 'before tax', this value is multiplied by 0.8 to give a net amount

Dvoth Derived from OthAmt to give a weekly amount – (*OthAmt – Other Investments: What was the total interest/dividend over the last 12 months?*)

Taxtime Was the interest received AFTER or BEFORE tax was deducted?

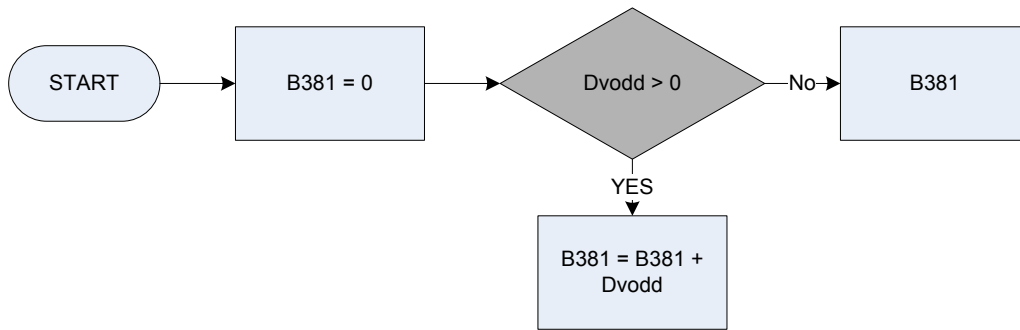
- 1 After tax,
- 2 Before tax

Untrstin Unit & Investment Trusts

Peps PEPs

Otherstk Other stocks, shares & bonds

B381 – Income from odd jobs - amount

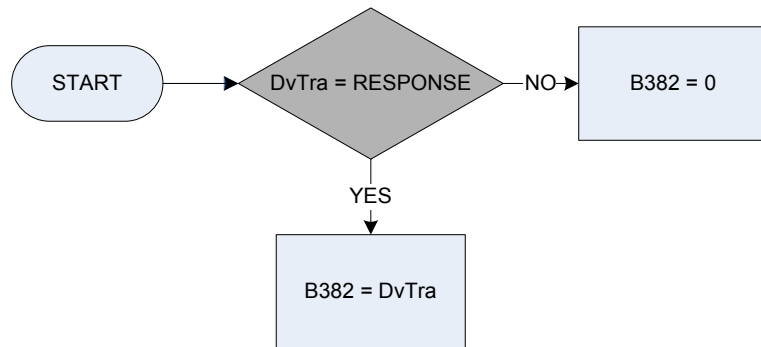


KEY

Dvodd

Derived from OddJAmt to give a weekly amount – (*OddJAmt - Odd Jobs: How much in total did respondent receive for the job in the last 12 months?*)

B382 – Government training scheme – allowance received

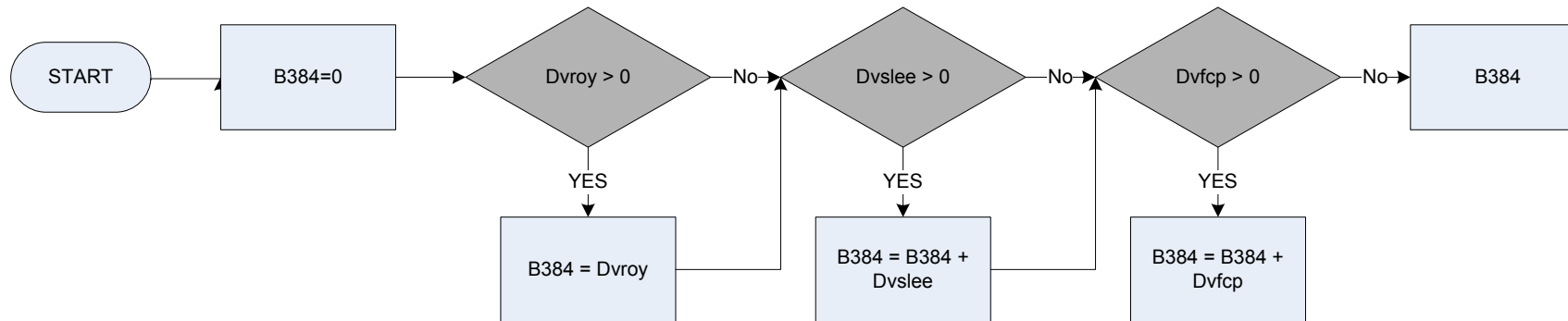


KEY

DvTra

Derived from TrainBen to give a weekly amount – (*TrainBen Government Schemes: What was the amount of allowance, including any other payments from the employer, that was last received?*)

B384 – Other unearned income – amount received



KEY

Dvfcp

Derived for FCPenAmt to give a weekly amount - (FCPenAmt - Other Income: How much have you received (in £) from a foreign currency pension in the last 12 months?)

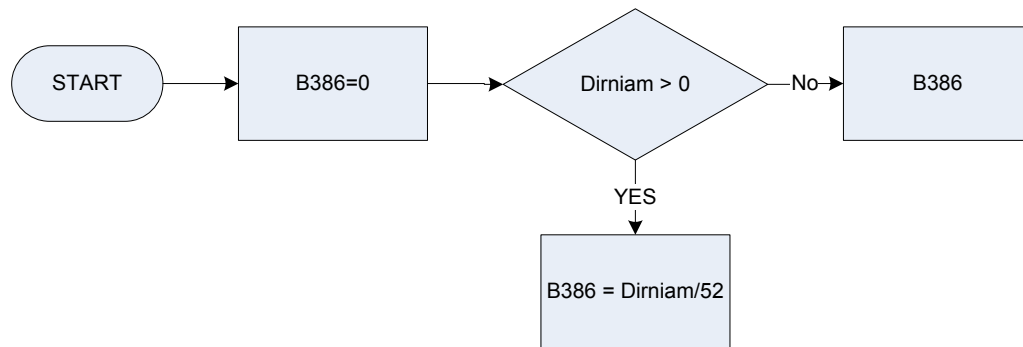
Dvroy

Derived from RoyalAmt to give a weekly amount – (RoyalAmt - Other Income: How much has the respondent received in royalties in the last 12 months?)

Dvslee

Derived for SleepAmtr to give a weekly amount - (SleepAmt - Other Income: How much have you received as income as a sleeping partner in the last 12 months?)

B386 – National Insurance contributions direct – amount paid

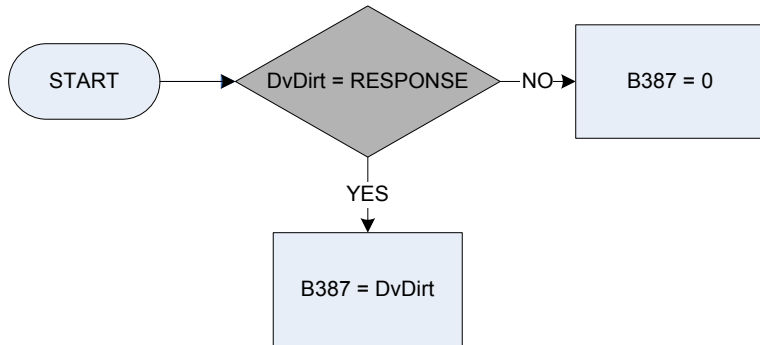


KEY

Dirniam

National insurance: How much did the respondent pay?

B387 – Income tax paid direct - amount

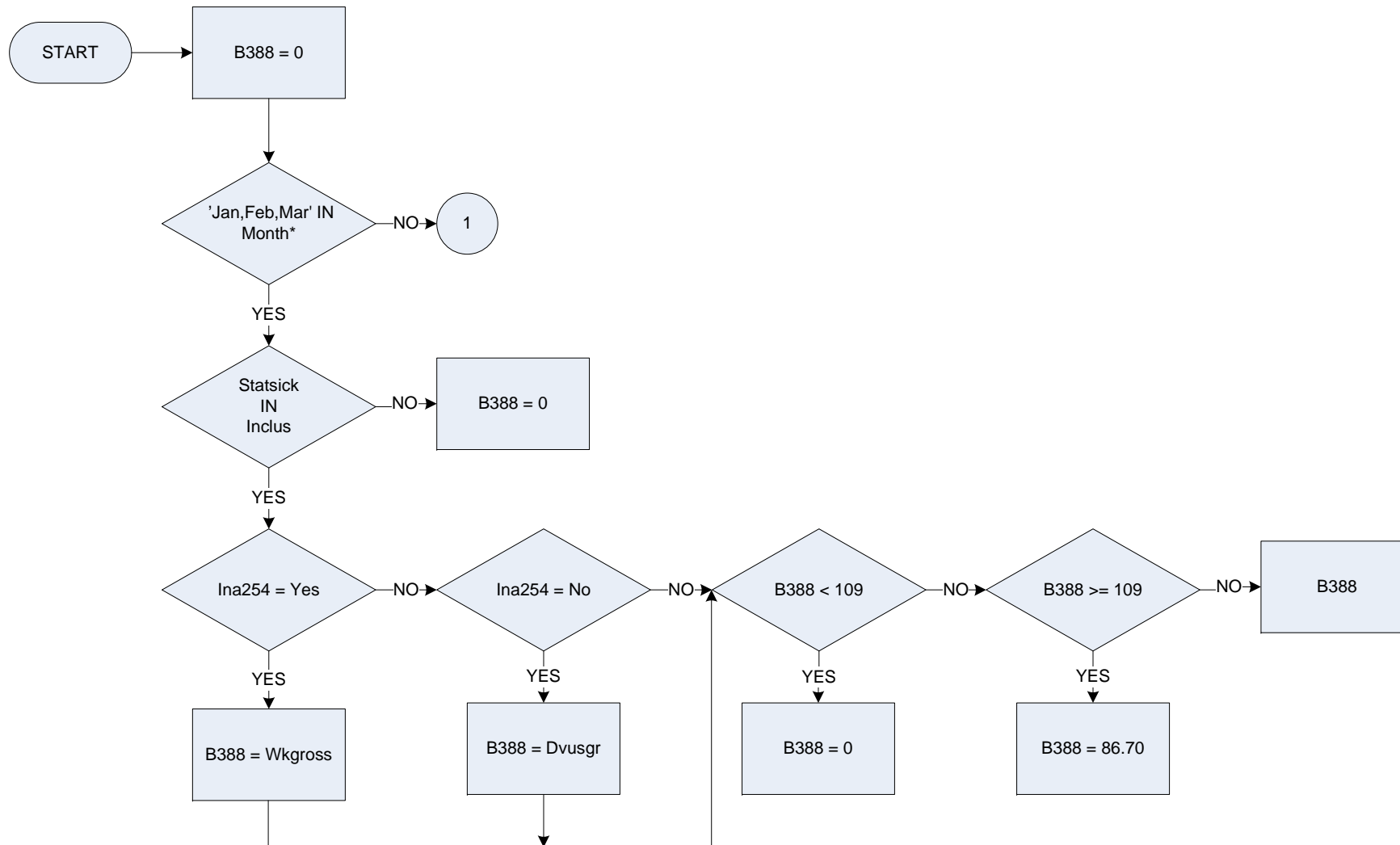


KEY

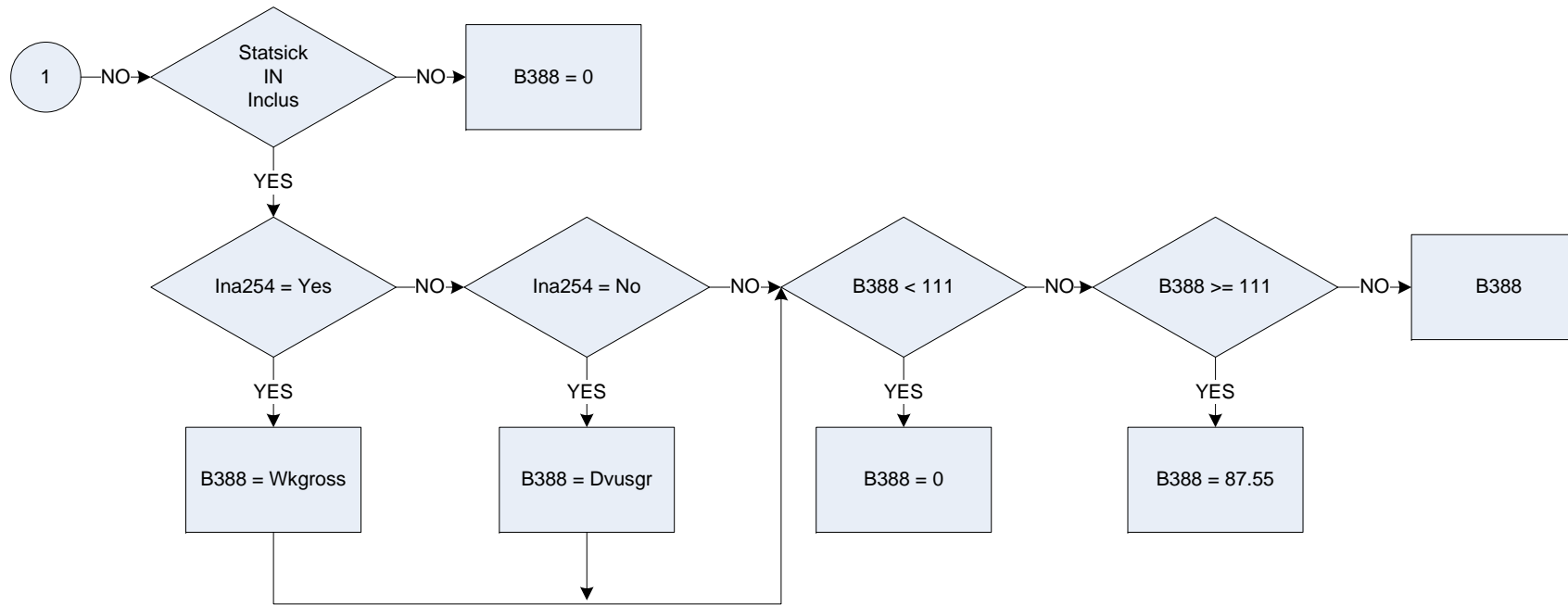
DvDirt

Derived from DirTax to give a weekly amount – (*DirTax - Income Tax: (Apart from the tax payments mentioned), has the respondent made any (other) income tax payments in the last 12 months?*)

B388 - Statutory sick pay - imputed gross amount



B388 - Statutory sick pay - imputed gross amount

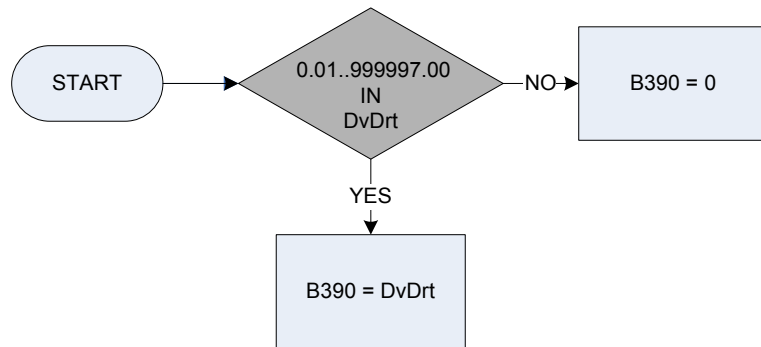


KEY

*Respondents in January, February and March samples are routed differently due to the changes made for the new financial year

Dvusgr	Weekly usual gross pay in main job
Ina254	Usual amount received in take home pay
Inclus	Did the respondent's last wage/salary include any of the following items?
StatSick	Statutory Sick Pay
MatStat	Statutory Maternity Pay
PatStat	Statutory Paternity Pay
AdopStat	Statutory Adoption Pay
TaxRefnd	Income Tax Refund
MileAllw	Mileage Allowance or fixed allowance for motoring
MotExpen	Motoring Expenses Refund
None	None of these
Month	Sample month
WkGross	Weekly gross amount received

B390 – Income tax refund received - amount

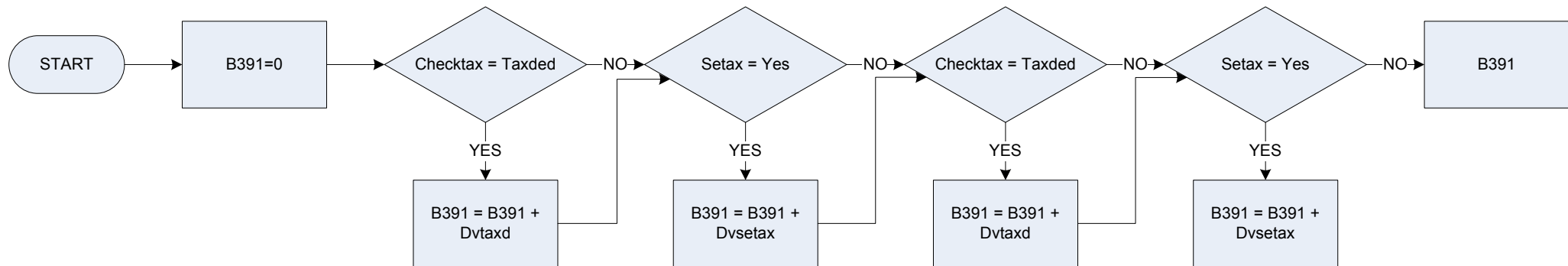


KEY

DvDrt

Derived from Dirtxram to give a weekly amount – (*Dirtxram - Income Tax: How much was refunded?*)

B391 – Self-employed – tax paid last 12 months



KEY

Checktax

Check - was either income tax, or the respondent's regular National Insurance contribution deducted at source?

- 1 Income tax deducted,
- 2 Regular NI deducted
- 3 No, neither deducted

Dvsetax

Derived from SeTaxAmt to give a weekly amount – (SeTaxAmt – Self Employment: How much did the respondent pay altogether in the last 12 months?)

Dvtaxd

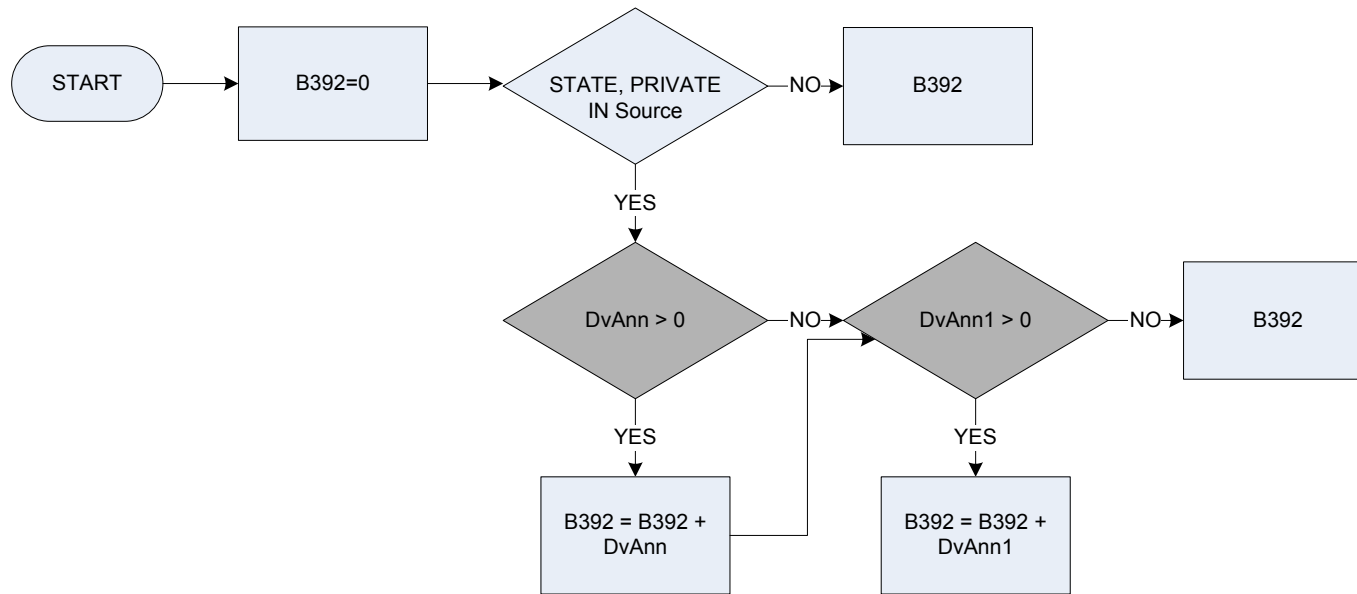
Derived from TaxDAmt to give a weekly amount – (TaxDAmt – Self Employment: How much income tax was deducted last time?)

Setax

(Apart from tax deducted at source) Has the respondent made any (other) income tax payments relating to this job/business in the last 12 months?

- 1 Yes
- 2 No

B392 – Education grant – total value



KEY

DvAnn Derived from AnnVal to give a weekly amount – (*AnnVal – Education: What is the current annual value of the grant?*)

DvAnn1 Derived from AnnVal to give a weekly amount – (*AnnVal – Education: What is the current annual value of the grant?*)

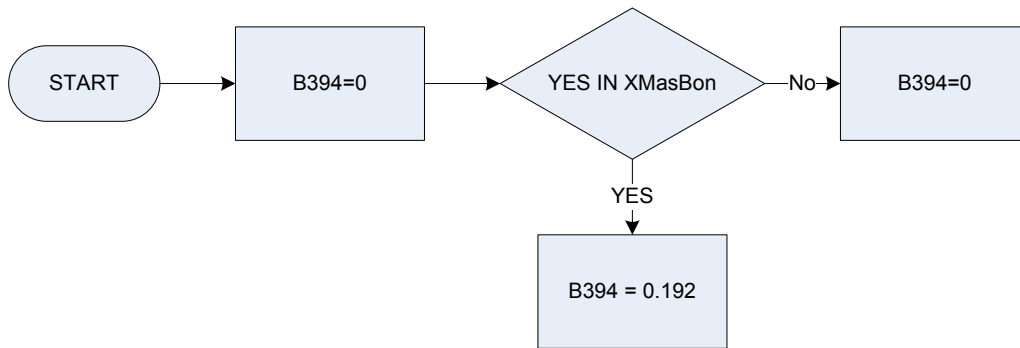
Source What is the source of the grant:

State "State"

Private "Private"

Overseas "or Overseas"

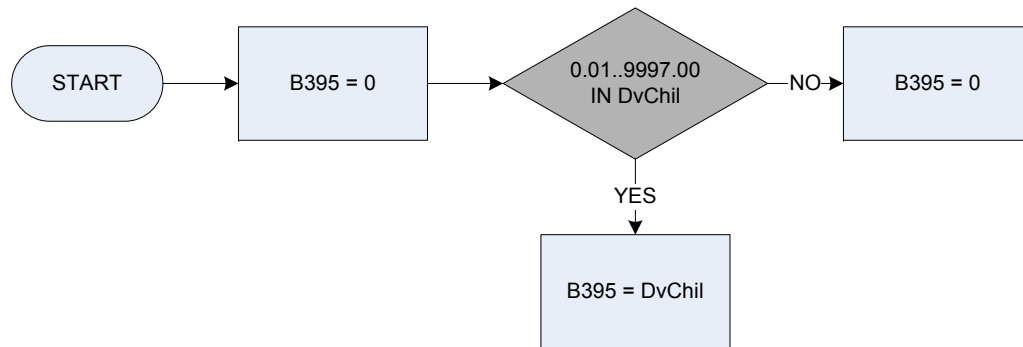
B394 – Xmas bonus – amount received – imputed gross amount



KEY

XMasBon In the 12 months since (Date) has the respondent received a state Christmas bonus?
1 Yes
2 No

B395 - Children's investments/accounts income – amount received

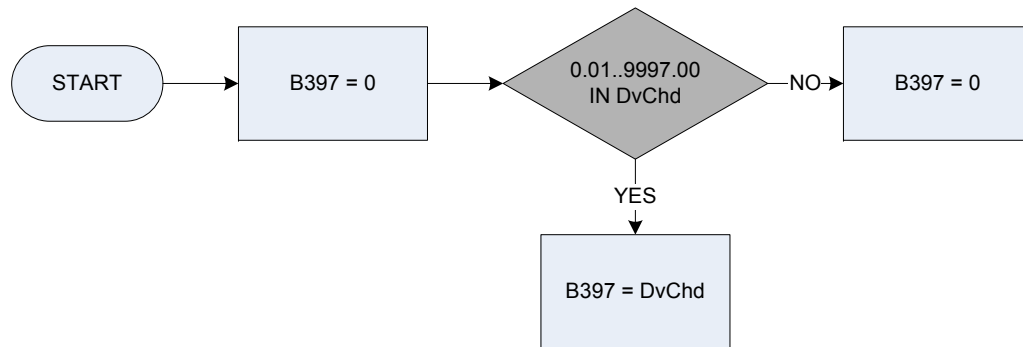


KEY

DvChil

Derived from ChiAmt to give a weekly amount – (*ChiAmt - Children's Income: How much in total has been received from these sources in the last 12 months?*)
(Sources: Interest on a bank account. Building society account or other savings account, Income from National savings and investments e.g. children's bonus bonds), Interest or dividends from gifts, stocks, shares or other investments, Income from trust fund.)

B397 - Children's job/ other income – amount received

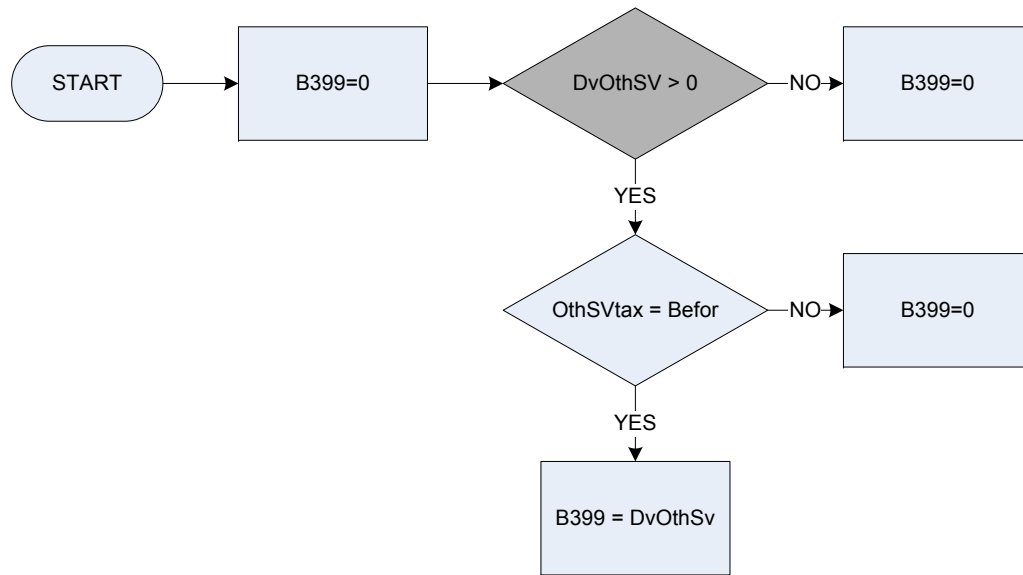


KEY

DvChd

Derived from ChdAmt to give a weekly amount – (*ChdAmt - Children's Income: How much in total has been received from these sources in the last 12 months?*)
(Sources: A spare time job or any other source of income)

B399 – Other savings Account before tax – interest received



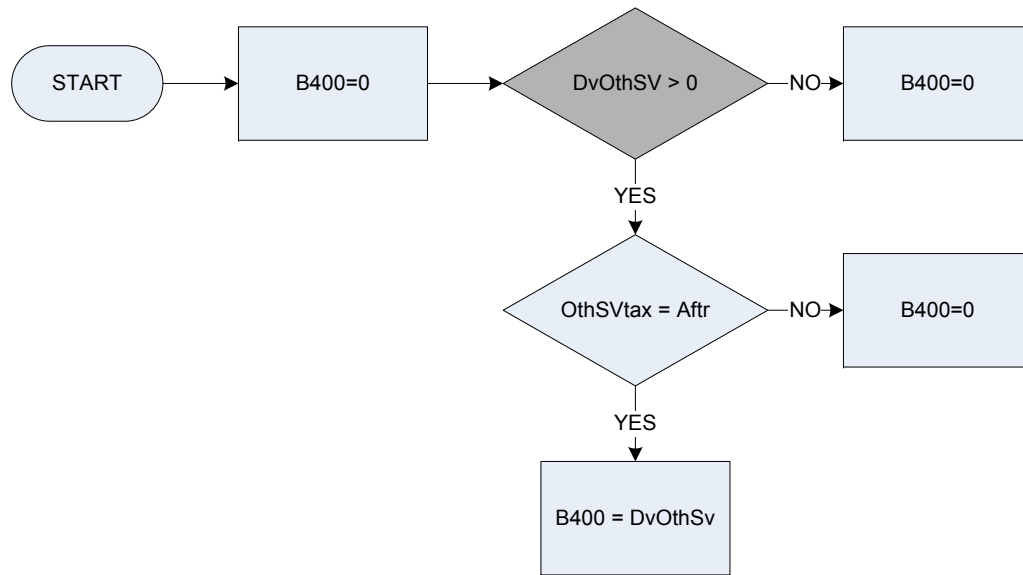
KEY

DvOthSV Derived from OthSVAmt to give a weekly amount – *(OthSvAmt – Other savings Account: What was the total interest over the last 12 months?)*

OthSVtax Is the interest received AFTER or BEFORE tax?

Aft After tax,
Befor Before tax

B400 – Other savings Account after tax – interest received



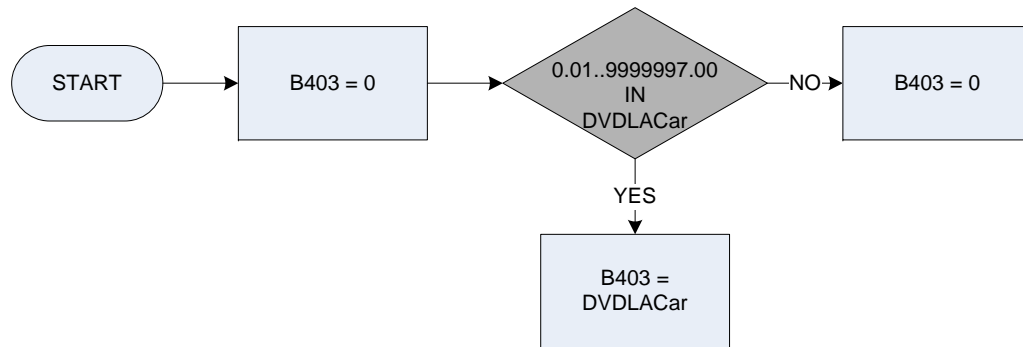
KEY

DvOthSV Derived from OthSVAmt to give a weekly amount – (*OthSVAmt – Other savings Account: What was the total interest over the last 12 months?*)

OthSVtax Is the interest received AFTER or BEFORE tax?

Afr After tax,
Befor Before tax

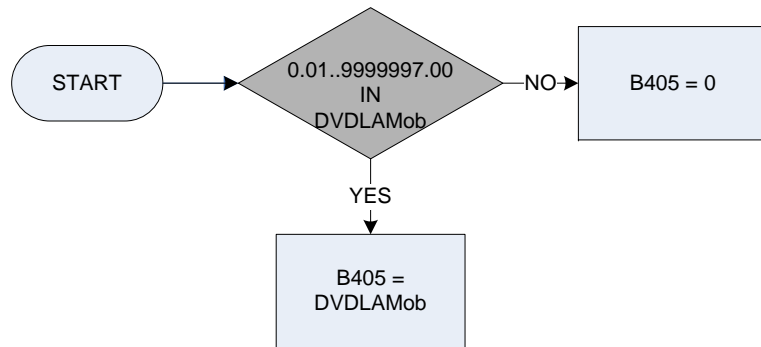
B403 – Disability living allowance (care component)



KEY

DvDLACar Derived from response to Benamt to give a weekly amount for Disability living allowance, care component (*Benamt: How much did the respondent get last time for this benefit?*)

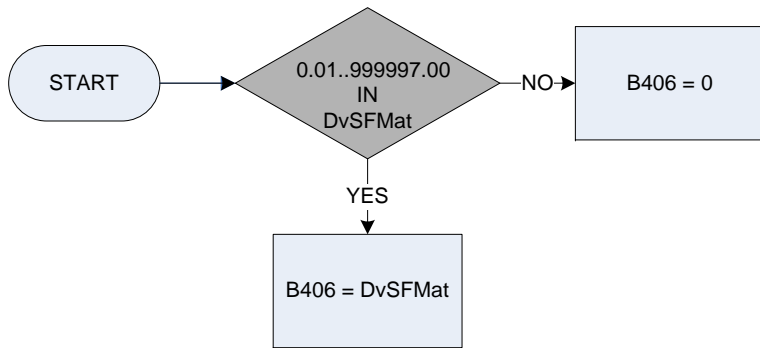
B405 – Disability living allowance (mobility component)



KEY

DVDLAMob Derived from response to Benamt to give a weekly amount for mobility component of disability living allowance, mobility component (*Benamt: How much did the respondent get last time for this benefit?*)

B406 – Maternity grant – amount received

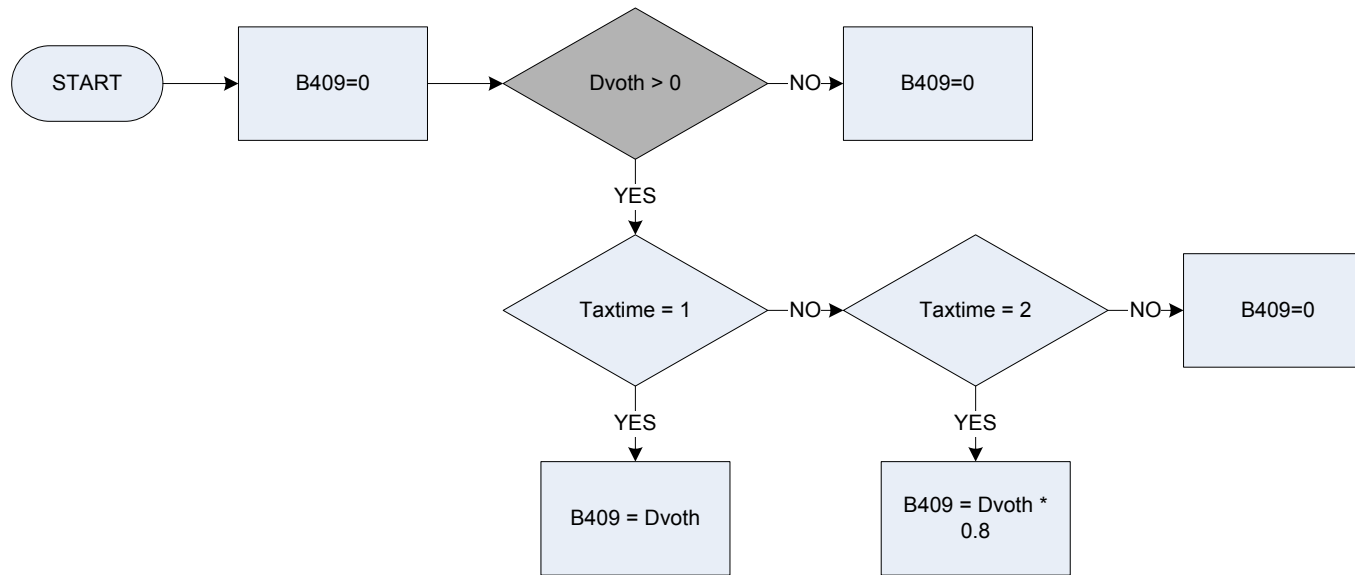


KEY

DvSFMat

Derived from response to Benamt to give a weekly amount for Social Fund for maternity grant (*Benamt: How much did the respondent get last time for this benefit?*)

B409 – Gilt-edged stock and war loan - interest

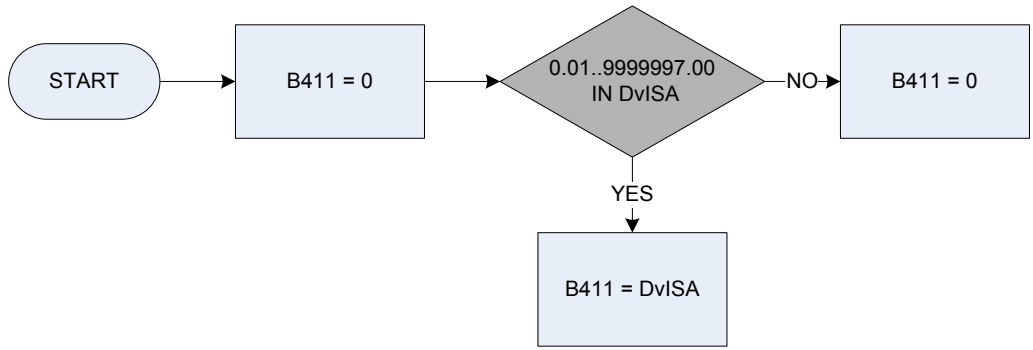


KEY

* If respondent has stated at Taxtime that the interest received on the investment was 'before tax', this value is multiplied by 0.8 to give a net amount

Dvoth Derived from OthAmt to give a weekly amount - (OthAmt - Other investments: What was the total interest/dividend over the last 12 months?)
Taxtime Was the interest received AFTER or BEFORE tax was deducted?
 1 After tax
 2 Before tax

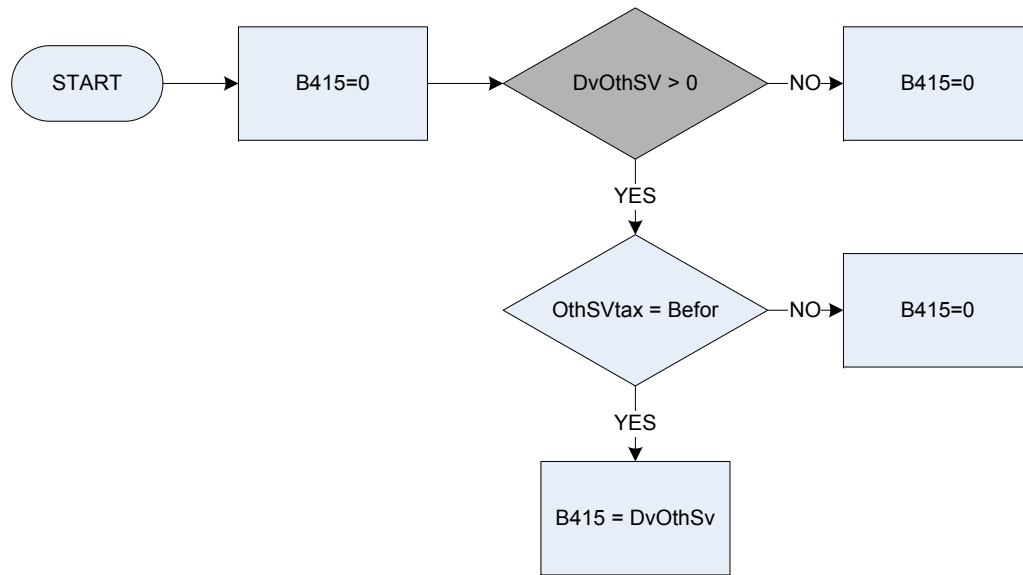
B411 – ISA interest received



KEY

DvISA Derived from ISAAmt to give a weekly amount – *(ISAAmt – ISA: What was the total interest over the last 12 months?)*

B415 – Interest received – Other savings Account before tax



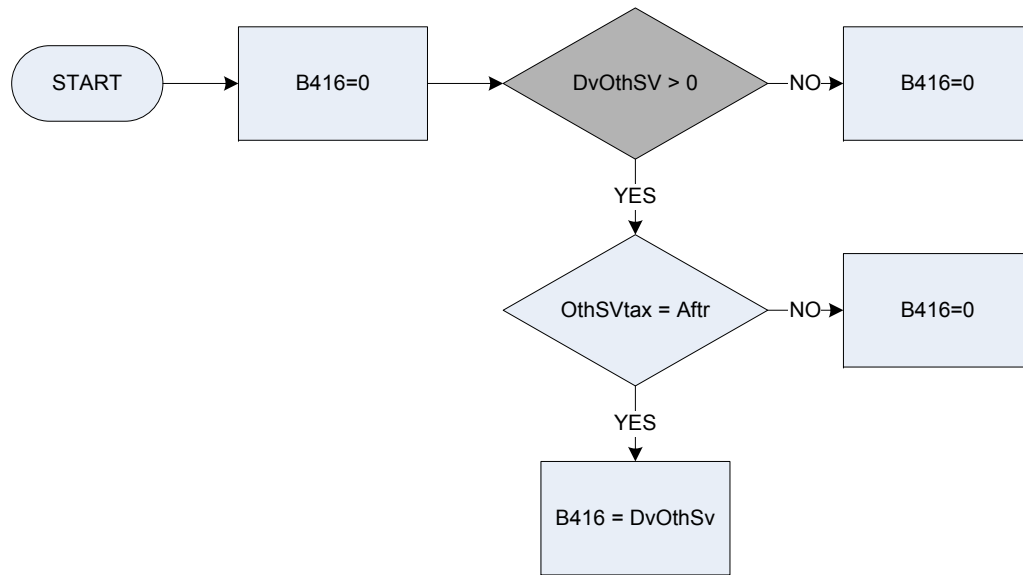
KEY

DvOthSV Derived from OthSVAmt to give a weekly amount – (*OthSvAmt – Other savings Account: What was the total interest over the last 12 months?*)

OthSVtax Is the interest received AFTER or BEFORE tax?

Aft After tax,
Befor Before tax

B416 – Interest received – Other savings Account after tax



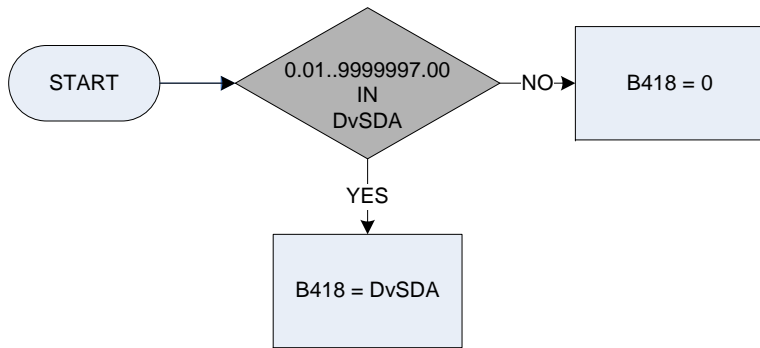
KEY

DvOthSV Derived from OthSVAmt to give a weekly amount – (*OthSVAmt – Other savings Account: What was the total interest over the last 12 months?*)

OthSVtax Is the interest received AFTER or BEFORE tax?

Afr After tax,
Befor Before tax

B418 - Severe disablement benefit - last received – amount

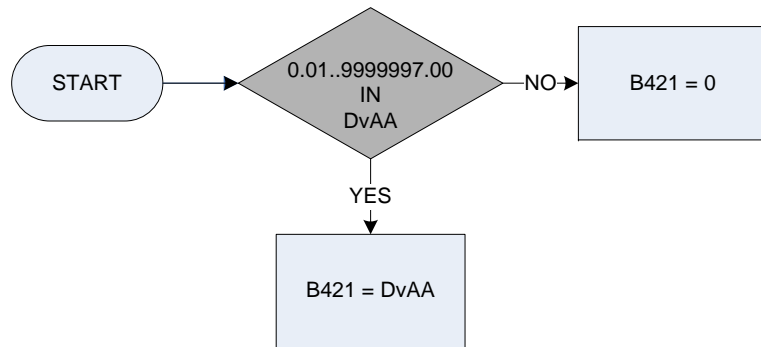


KEY

DvSDA

Derived from response to Benamt to give a weekly amount for Severe disablement benefit (*Benamt: How much did the respondent get last time for this benefit?*)

B421 – Attendance allowance last amount received

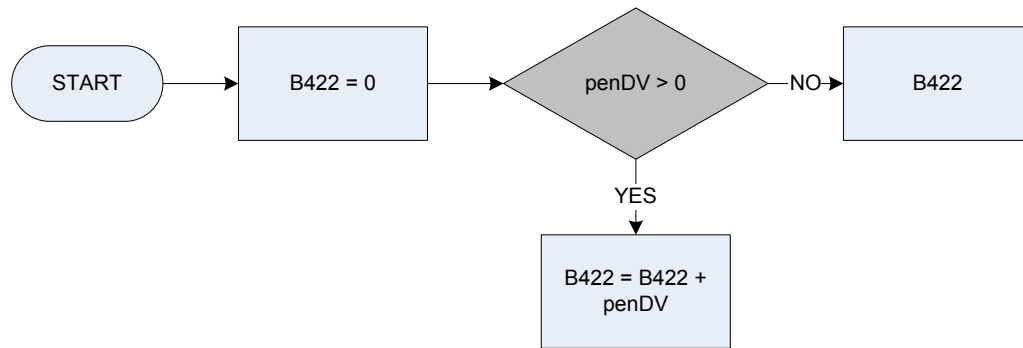


KEY

DvAA

Derived from response to Benamt to give a weekly amount for Attendance Allowance (*Benamt: How much did the respondent get last time for this benefit?*)

B422 – Personal Pension contribution per person

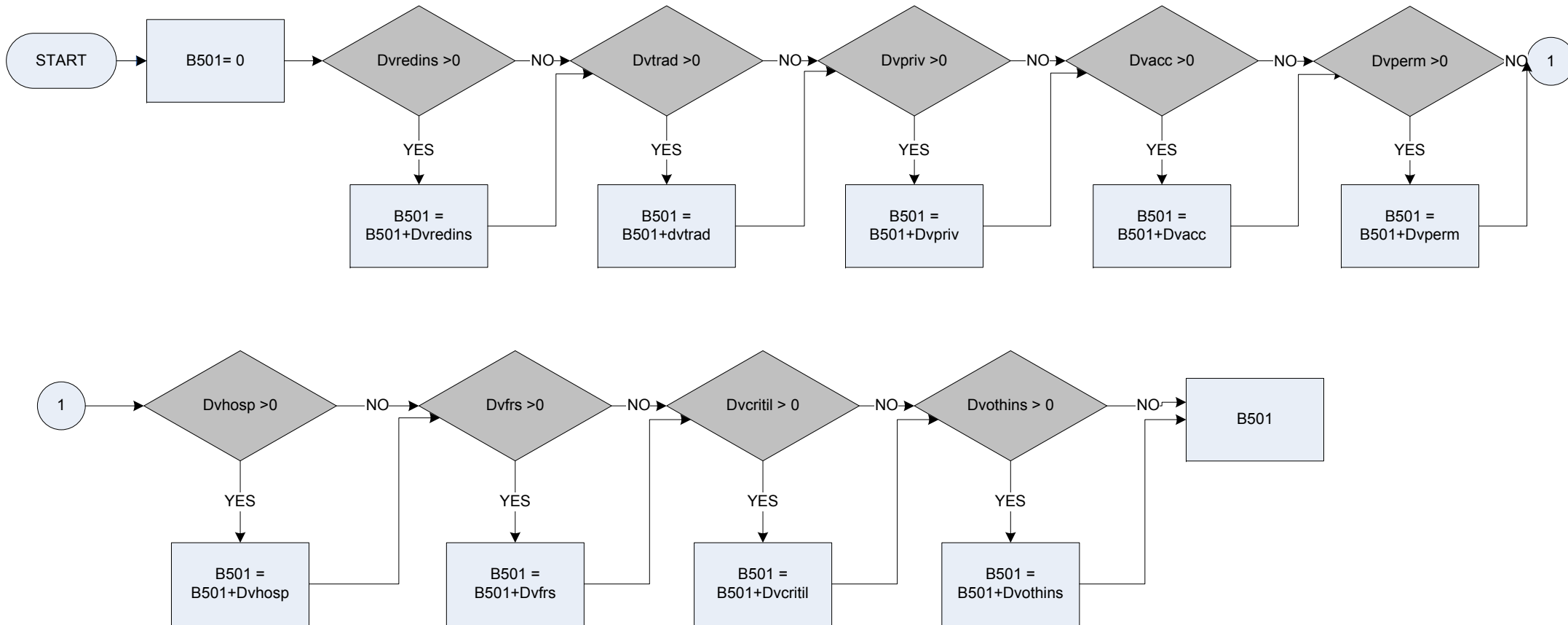


KEY

PenDV

Derived from PensAmt to give a weekly amount – (*PensAmt - Private Pension: What was the amount of the last contribution?*)

B501 – Private Benefits amount received at present



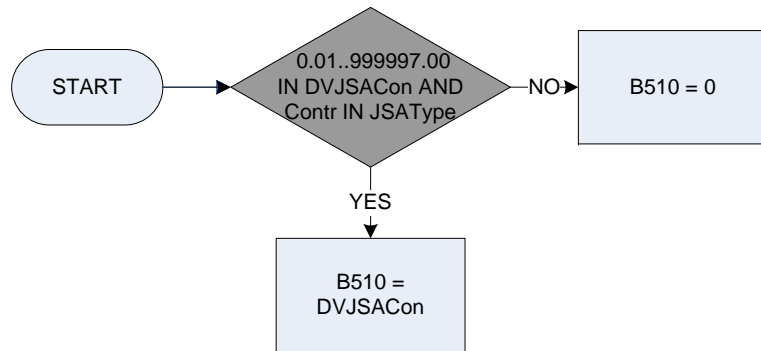
KEY

- Dvredins**
- Dvtrad** Derived from AMTBENX* for TUC sick/strike pay to give a weekly average
- Dvpriv** Derived from AMTBENX* for private medical scheme benefits to give a weekly average
- Dvacc** Derived from AMTBENX* for personal accident insurance benefits to give a weekly average
- Dvperm** Derived from AMTBENX* for permanent health insurance to give a weekly average
- Dvhosp** Derived from AMTBENX* for hospital savings scheme benefits to give a weekly average
- Dvfrs** Derived from AMTBENX* for friendly society sickness benefits to give a weekly average
- Dvcritil** Derived from AMTBENX* for critical illness cover benefits to give a weekly average
- Dvothins** Derived from AMTBENX* for any other sickness insurance to give a weekly average

*AMTBENX What was the amount of benefit last received?

**1 "Receiving benefit at present"

B510 – Jobseeker’s Allowance (contribution based) - last amount received



KEY

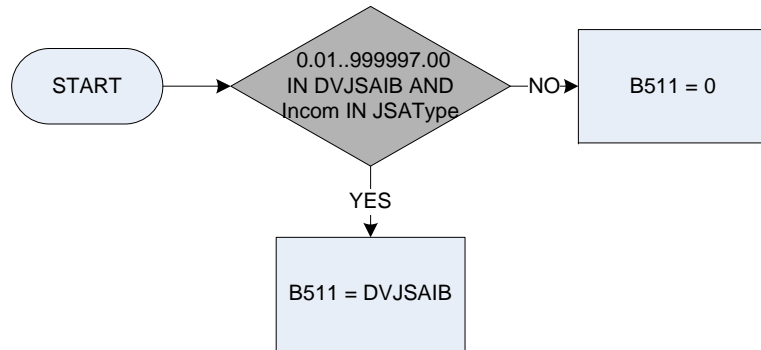
DVJSAcon
JSAType

Derived from response to Benamt to give a weekly amount for JSA (contribution based) (*Benamt: How much did the respondent get last time for this benefit?*)

There are two types of Jobseeker’s Allowance. Is the Allowance the respondent has received:

Contr *Contributory, that is based on their N.I. contributions,*
Incom *Income-related, which is based on an assessment of their income?*
Comb *A combination of 'contributory' and 'income related'?*

B511 – Jobseeker’s Allowance (income based) – amount received



KEY

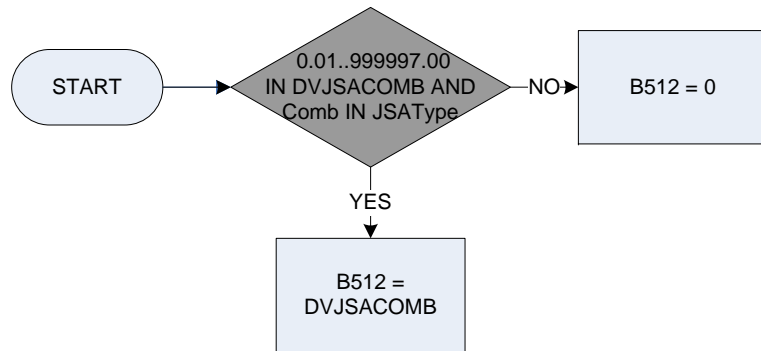
DVJSAIB
JSAType

Derived Variable for Jobseeker’s Allowance based on an assessment of income (*Benamt: How much did the respondent get for this benefit last time?*)

There are two types of Jobseeker’s Allowance. Is the Allowance the respondent has received:

- Contr** *Contributory, that is based on their N.I. contributions,*
- Incom** *Income-related, which is based on an assessment of their income?*
- Comb** *A combination of 'contributory' and 'income related'?*

B512 – Jobseeker’s Allowance (combination of contributory and income-based) - last amount received



KEY

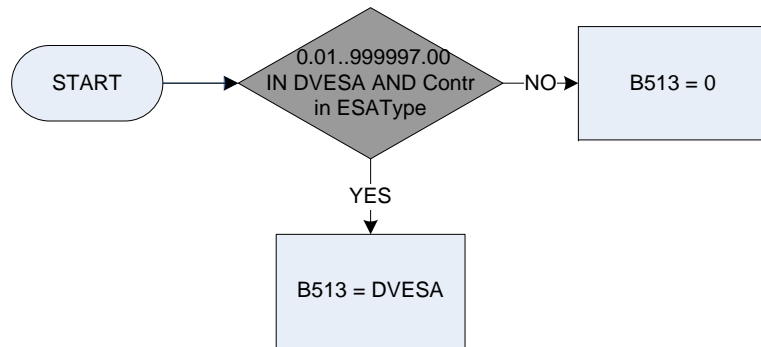
DVJSACOMB
JSAType

Derived from response to Benamt to give a weekly amount for JSA (combination) (*Benamt: How much did the respondent get last time for this benefit?*)

There are two types of Jobseeker’s Allowance. Is the Allowance the respondent has received:

Contr *Contributory, that is based on their N.I. contributions,*
Incom *Income-related, which is based on an assessment of their income?*
Comb *A combination of 'contributory' and 'income related'?*

B513 – Employment and Support Allowance (contribution based) - last amount received



KEY

DVESA Derived from response to Benamt to give a weekly amount for ESA (contribution based) (*Benamt: How much did the respondent get last time for this benefit?*)

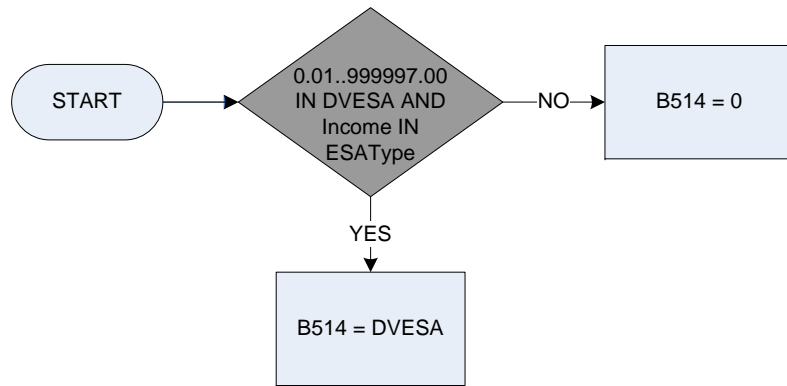
ESAType There are two types of Employment and Support Allowance. Is the Allowance the respondent has received:

Contr *Contributory, that is based on their N.I. contributions,*

Incom *Income-related, which is based on an assessment of their income?*

Comb *A combination of 'contributory' and 'income related'?*

B514 – Employment and Support Allowance (income based) - last amount received



KEY

DVESA Derived from response to Benamt to give a weekly amount for ESA (contribution based) (*Benamt: How much did the respondent get last time for this benefit?*)

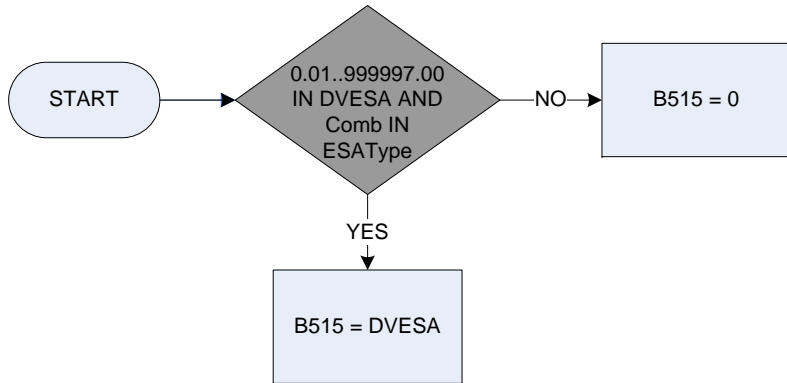
ESAType There are two types of Employment and Support Allowance. Is the Allowance the respondent has received:

Contr *Contributory, that is based on their N.I. contributions,*

Incom *Income-related, which is based on an assessment of their income?*

Comb *A combination of 'contributory' and 'income related'?*

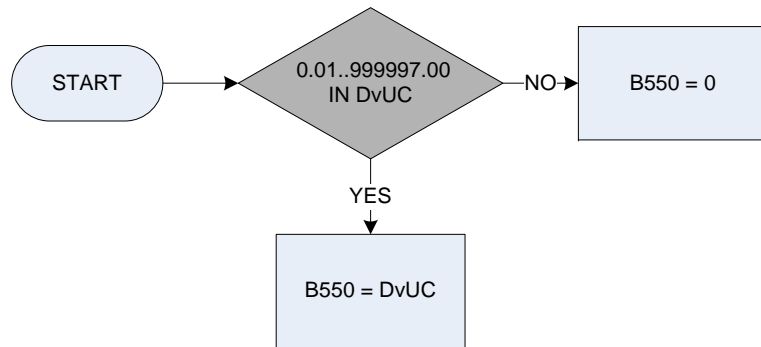
B515 – Employment and Support Allowance (combination of contributory and income-based) - last amount received



KEY

- DVESA** Derived from response to Benamt to give a weekly amount for ESA (contribution based) (*Benamt: How much did the respondent get last time for this benefit?*)
- ESAType** There are two types of Employment and Support Allowance. Is the Allowance the respondent has received:
- Contr** *Contributory, that is based on their N.I. contributions,*
 - Incom** *Income-related, which is based on an assessment of their income?*
 - Comb** *A combination of 'contributory' and 'income related'?*

B550 – Universal Credit – amount received

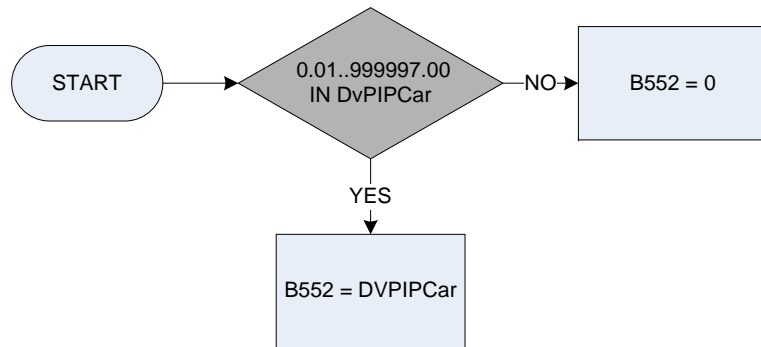


KEY

DvUC

Derived from response to Benamt to give a weekly amount for Universal Credit (*Benamt: How much did the respondent get for this benefit last time?*)

B552 – Personal Independence Payment (Daily living component) – amount received

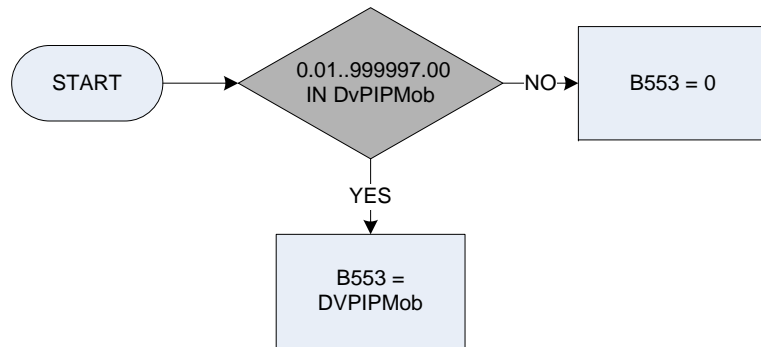


KEY

DvPIPCar

Derived from response to Benamt to give a weekly amount for Personal Independence Payment (Daily living component) (*Benamt: How much did the respondent get for this benefit last time?*)

B553 – Personal Independence Payment (Mobility component) – amount received

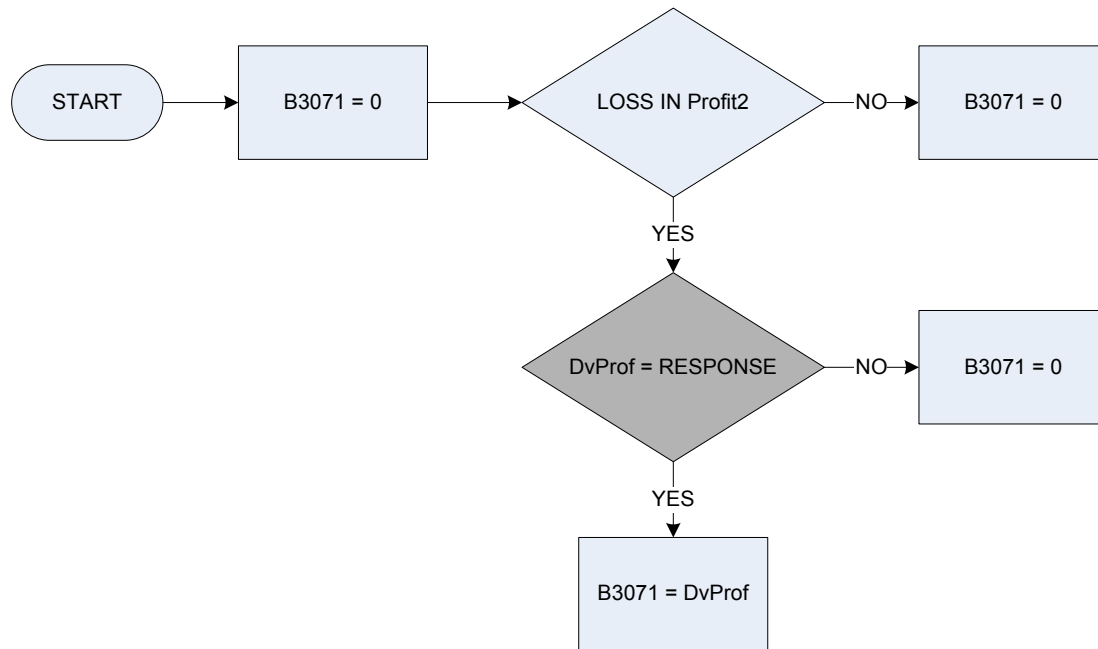


KEY

DvPIPMob

Derived from response to Benamt to give a weekly amount for Personal Independence Payment (Mobility component) (*Benamt: How much did the respondent get for this benefit last time?*)

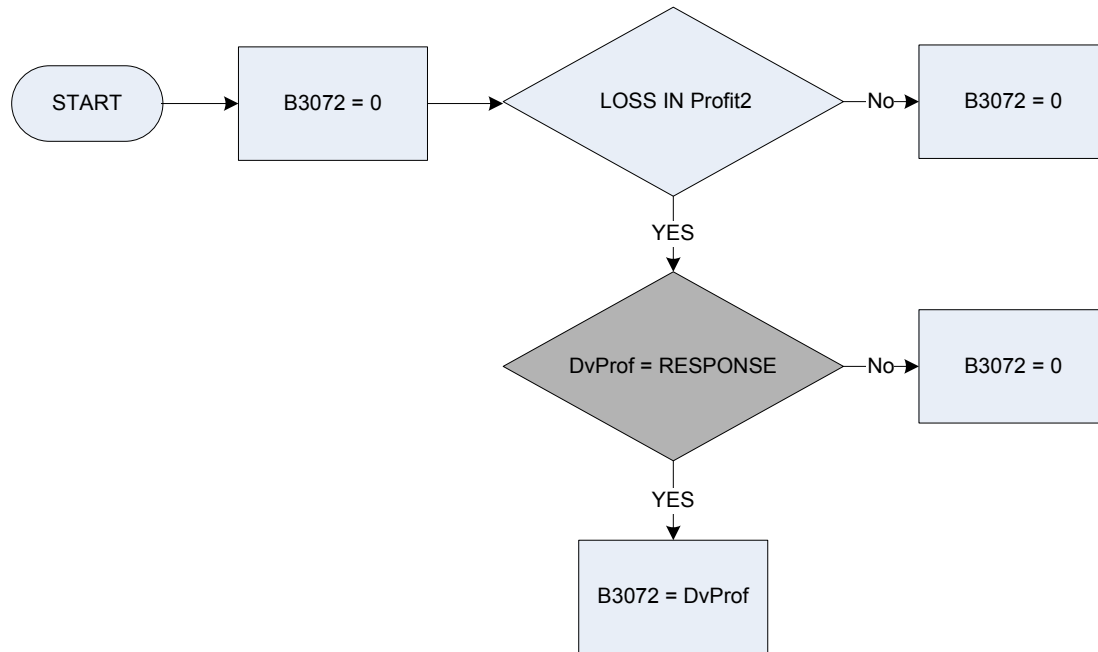
B3071 – Main job: self employed – amount of net loss



KEY

- DvProf** Derived from Profit to give a weekly amount – *(Profit - Self-Employment: what was the profit/loss amount?)*
- JobBus** Does the respondent think of themselves as having a job or a business?
- Job** Job
- Bus** A business
- Neither** Neither of these
- Profit1** Self-Employment: What was the profit/loss amount?
- Profit2** Self-Employment: Did the answer in Profit1 refer to profit or loss?

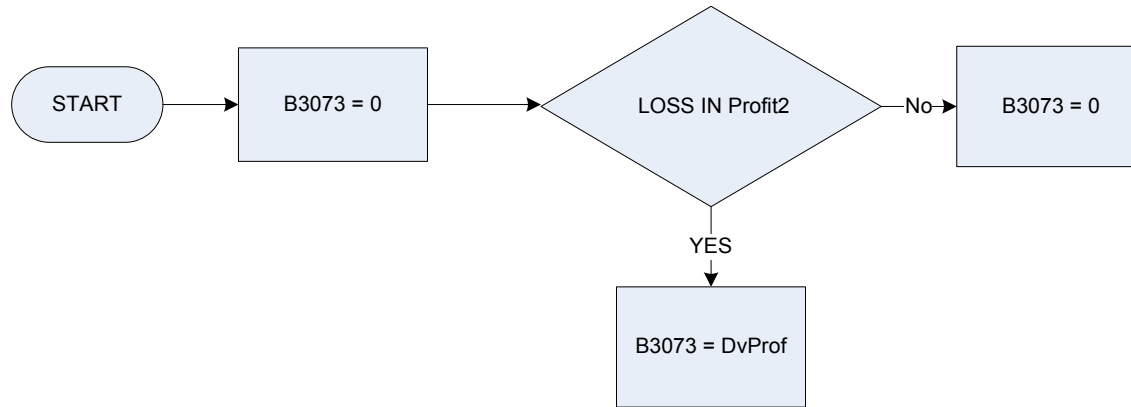
B3072 – First subsidiary job: self employed - amount of net loss



KEY

- DvProf** Derived from Profit to give a weekly amount - (*Profit - Self-Employment: What was the profit/loss amount?*)
- JobBus** Does the respondent think of themselves as having a job or a business?
- Job** Job
- Bus** A business
- Neither** Neither of these
- Profit1** Self-Employment: profit/loss amount
- Profit2** Self-Employment: Did the answer in Profit1 refer to profit or loss?

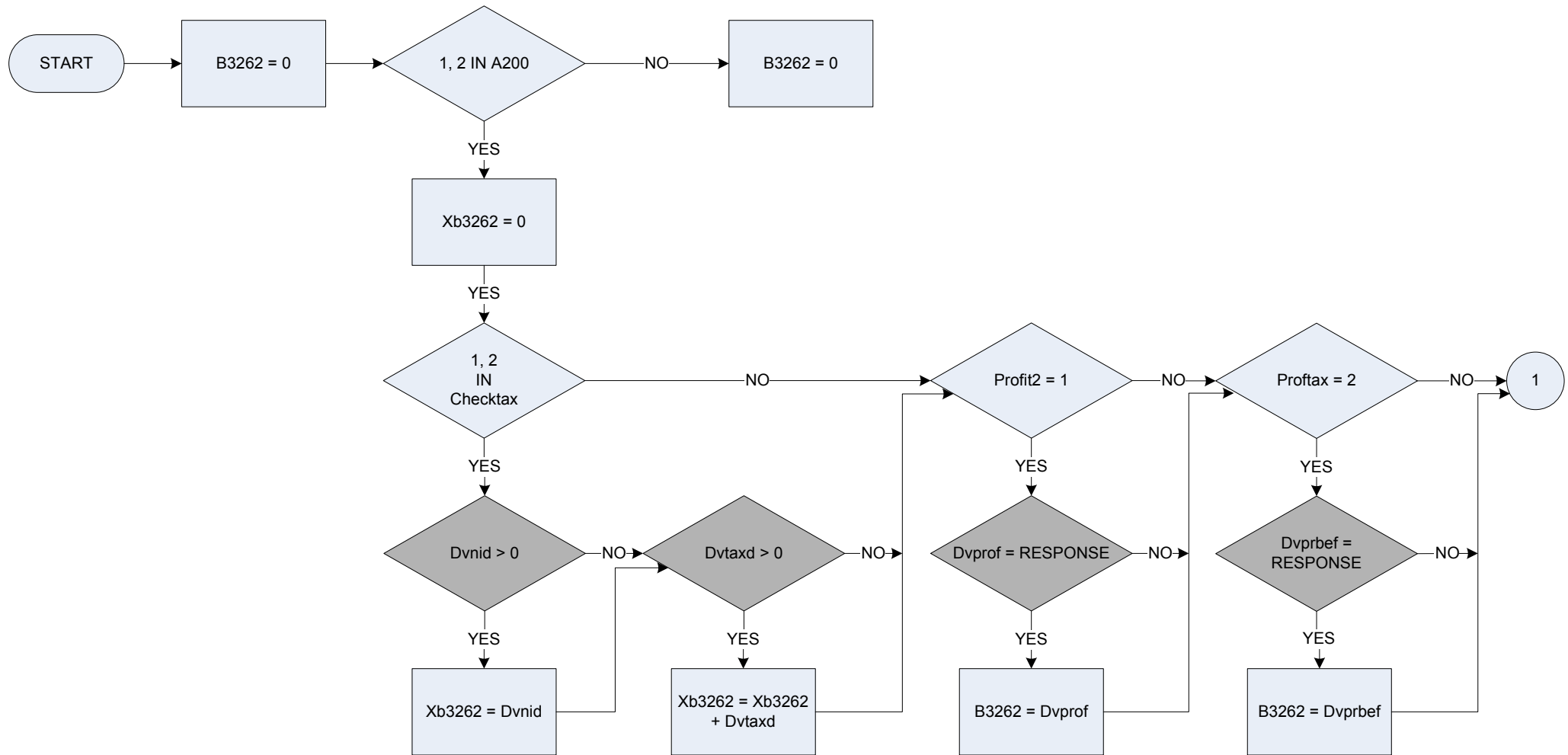
B3073 – Second subsidiary job: self employed - amount of net loss



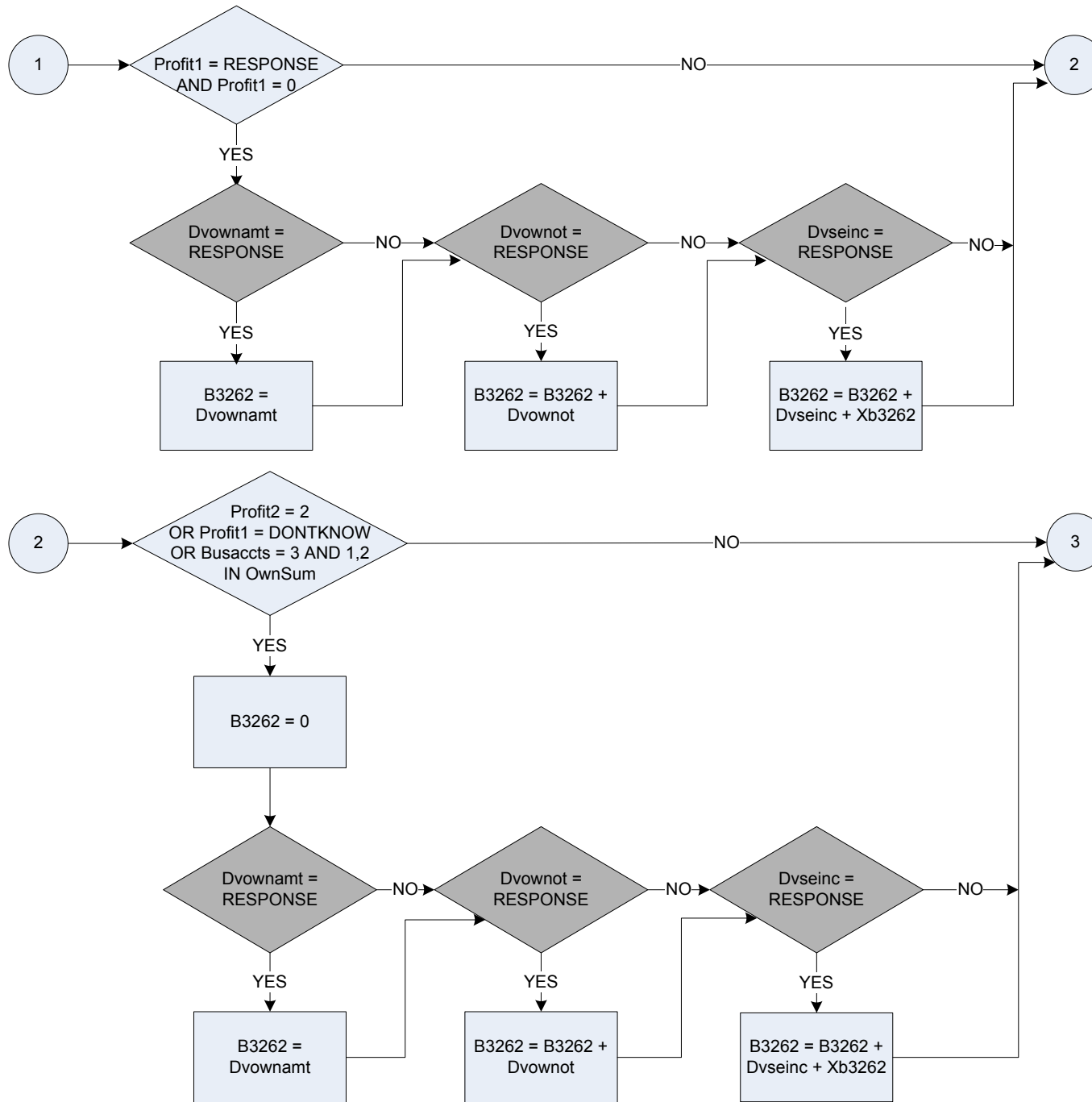
KEY

DvProf	Derived from Profit to give a weekly amount – (<i>Profit - Self-Employment: What was the profit/loss amount?</i>)
JobBus	Does the respondent think of themselves as having a job or a business?
Bus	<i>A business</i>
Neither	<i>(Neither of these)</i>
Profit1	Self-Employment: profit/loss amount
Profit2	Self-Employment: Did the answer in Profit1 refer to profit or loss?

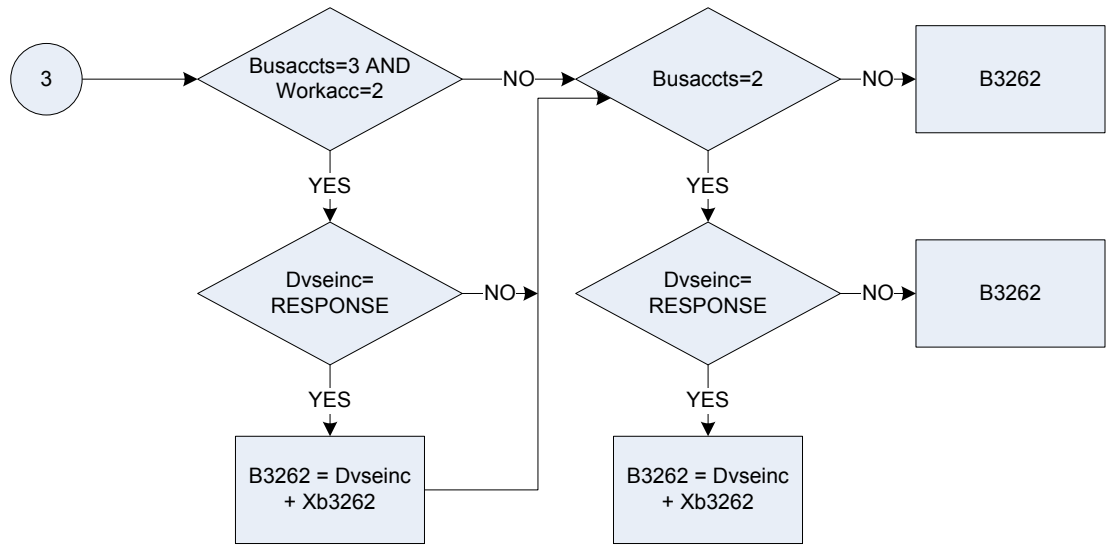
B3262 - First subsidiary job: Self employed - amount of gross income



B3262 - First subsidiary job: Self employed - amount of gross income



B3262 - First subsidiary job: Self employed - amount of gross income

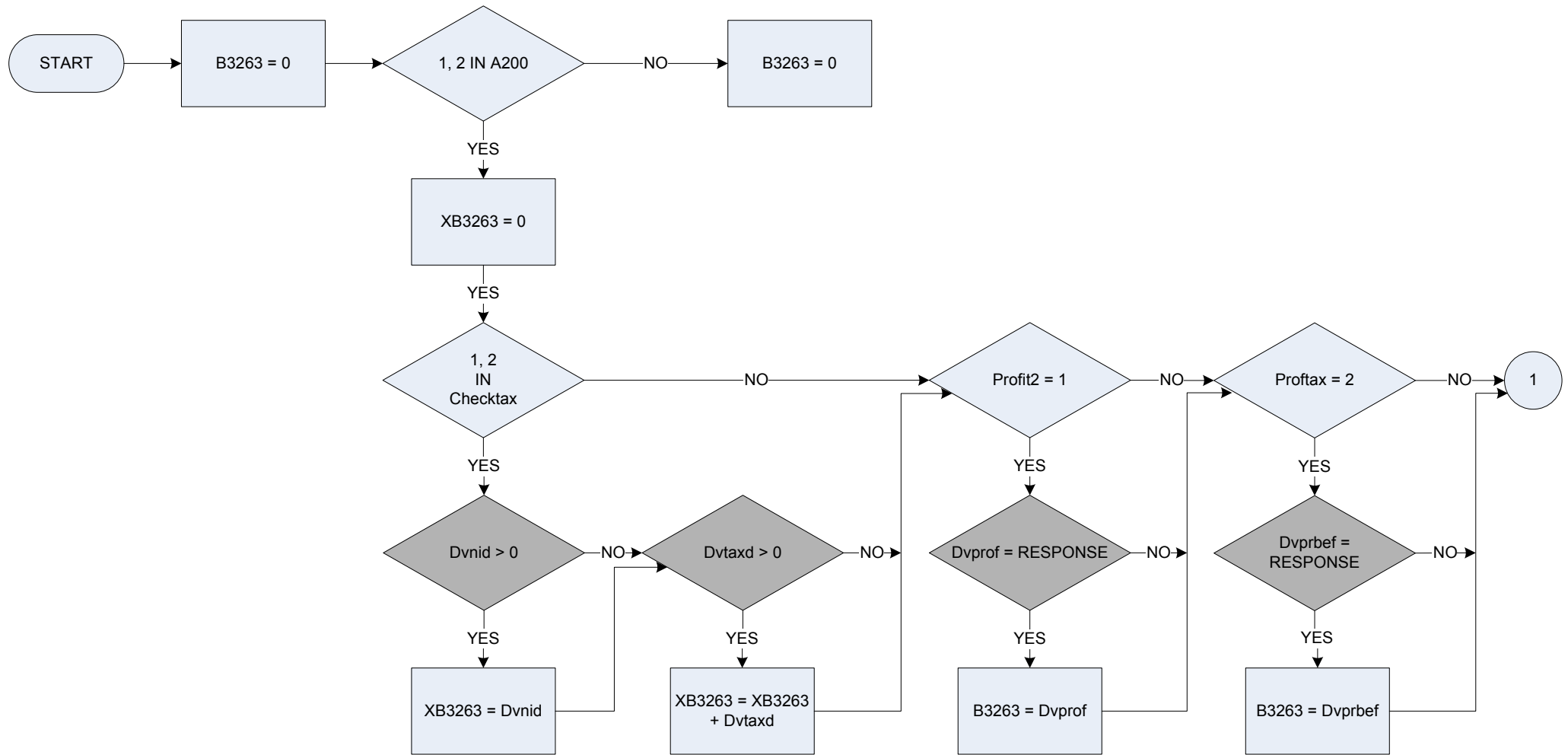


B3262 - First subsidiary job: Self employed - amount of gross income

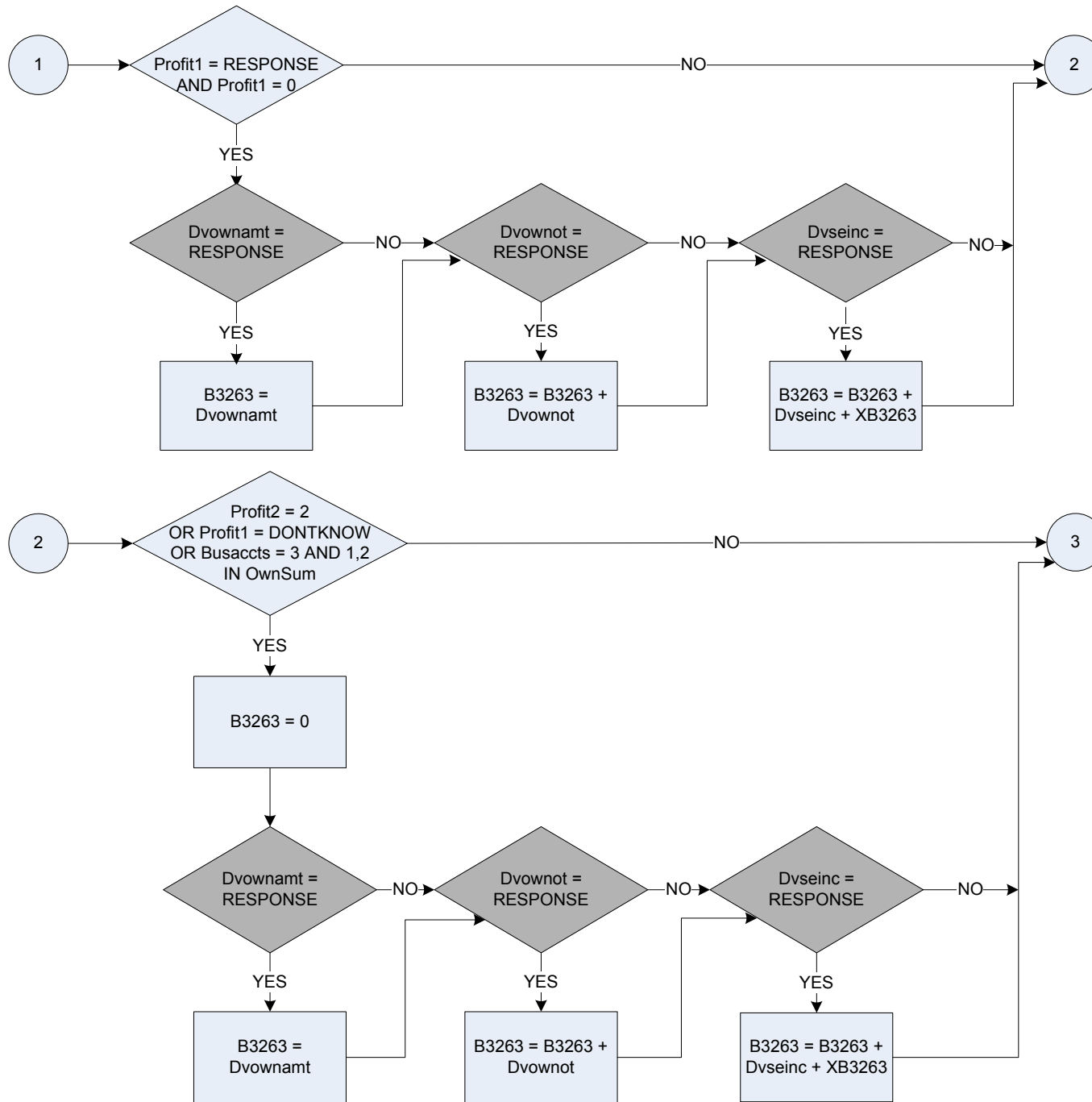
KEY

A200	Employment status
	<i>0 Not recorded</i>
	<i>1 Employee</i>
	<i>2 Self-employed or employer</i>
	<i>3 Out of employment seeking work within last 4 weeks & available to start a job</i>
	<i>4 Out of employment waiting to start a job already obtained</i>
	<i>5 Sick or injured</i>
	<i>6 Retired including Job Release Scheme</i>
	<i>7 Unoccupied</i>
Busacct	In job/business were annual business accounts prepared for HMRC for tax purposes?
	<i>1 Yes</i>
	<i>2 No</i>
	<i>3 Not yet, but will be</i>
Checktax	Was either income tax, or regular National Insurance contribution deducted at source?
	<i>1 Income tax deducted</i>
	<i>2 Regular NI deducted</i>
	<i>3 No, neither deducted</i>
DvNID	Derived from NIDAmt to give a weekly amount – (NIDAmt – Self-employment: How much National Insurance was deducted last time?)
Dvownam	Derived from OwnAmt to give a weekly amount - (OwnAmt - Thinking of the last 12 months, on average how much did you take each month for these non-business purposes?)
Dvownot	Derived from OwnOtAmt to give a weekly amount– (OwnOtAmt - On average, how much is that each month?)
Dvprbef	Derived from PrBefore to give a weekly amount - (PrBefore - What was (the respondent's share of) the profit before tax?)
DvProf	Derived from Profit2 to give a weekly amount – (Profit2 - Profit/loss amount)
Dvseinc	Derived from Selnc to give a weekly amount - (Selnc - On average, what is the respondent's weekly or monthly income from this job/business over the last 12 months (after paying for any materials, equipment or goods that the respondent use(d) in their work?)
Dvtaxd	Derived from TaxDAmt to give a weekly amount - (TaxDAmt -How much Income tax was deducted last time?)
Ownsum	Is money drawn from work account for any non-business purposes?
	<i>1 Yes</i>
	<i>2 No</i>
Profit1	What was the profit/loss amount?
Profit2	Does Profit1 refer to profit or loss?
	<i>1 Profit</i>
	<i>2 Loss</i>
Proftax	Is the figure before deduction of income tax?
	<i>1 Before tax</i>
	<i>2 After tax</i>
Workacc	Is there a separate bank or building society accounts for work and private finances?
	<i>1 Yes</i>
	<i>2 No</i>
Xb3262	Temporary variable used in calculations – Second subsidiary job: Self employed – amount of gross income. This temporary variable is used to calculate and store the total amount of Income tax and National Insurance paid by the respondent; this is used later in the routing.

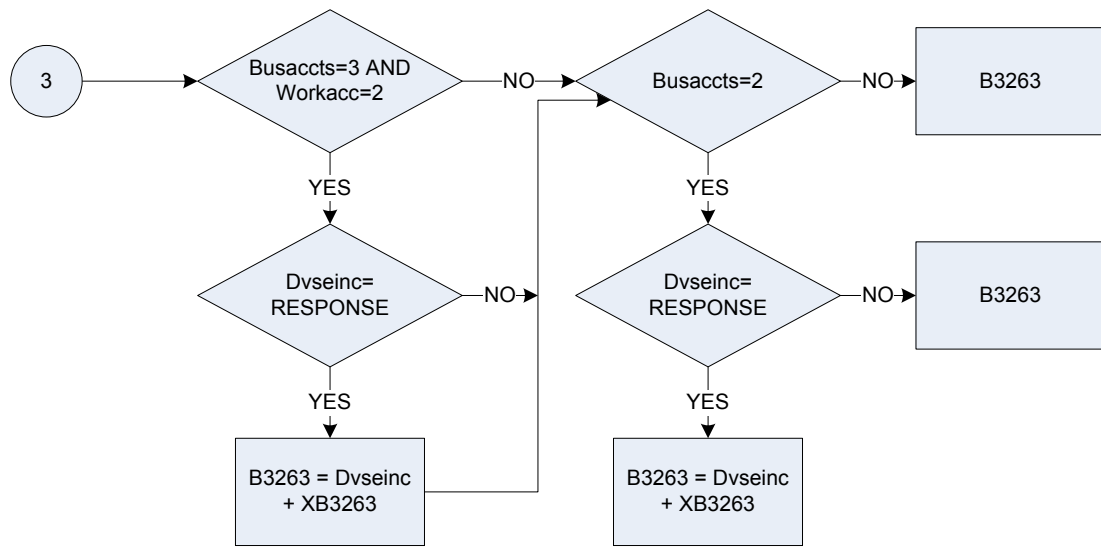
B3263 - Second subsidiary job: Self employed - amount of gross income



B3263 - Second subsidiary job: Self employed - amount of gross income



B3263 - Second subsidiary job: Self employed - amount of gross income

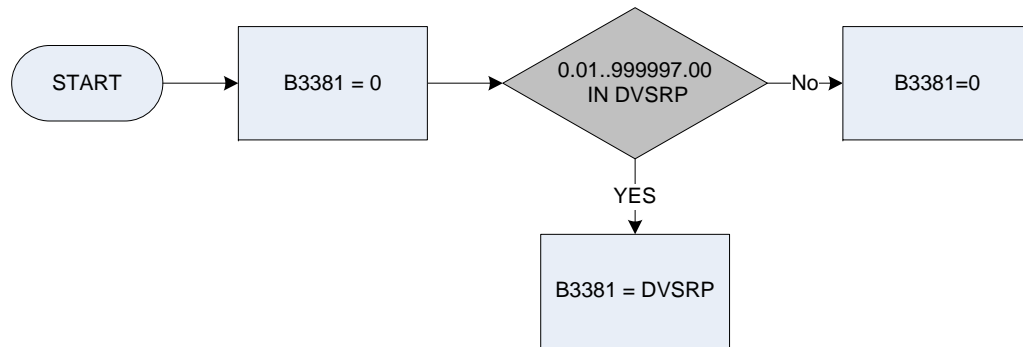


B3263 - Second subsidiary job: Self employed - amount of gross income

KEY

A200	Employment status 0 Not recorded 1 Employee 2 Self-employed or employer 3 Out of employment seeking work within last 4 weeks & available to start a job 4 Out of employment waiting to start a job already obtained 5 Sick or injured 6 Retired including Job Release Scheme 7 Unoccupied
Busacct	In job/business were annual business accounts prepared for HMRC for tax purposes? 1 Yes 2 No 3 Not yet, but will be
Checktax	Was either income tax, or regular National Insurance contribution deducted at source? 1 Income tax deducted 2 Regular NI deducted 3 No, neither deducted
DvNID	Derived from NIDAmt to give a weekly amount – (NIDAmt – Self-employment: How much National Insurance was deducted last time?)
Dvownam	Derived from OwnAmt to give a weekly amount - (OwnAmt - Thinking of the last 12 months, on average how much did you take each month for these non-business purposes?)
Dvownot	Derived from OwnOtAmt to give a weekly amount– (OwnOtAmt - On average, how much is that each month?)
Dvprbef	Derived from PrBefore to give a weekly amount - (PrBefore - What was (the respondent's share of) the profit before tax?)
DvProf	Derived from Profit2 to give a weekly amount – (Profit2 - Profit/loss amount)
Dvseinc	Derived from Selnc to give a weekly amount - (Selnc - On average, what is the respondent's weekly or monthly income from this job/business over the last 12 months (after paying for any materials, equipment or goods that the respondent use(d) in their work)?)
Dvtaxd	Derived from TaxDAmt to give a weekly amount - (TaxDAmt -How much Income tax was deducted last time?)
Ownsum	Is money drawn from work account for any non-business purposes? 1 Yes 2 No
Profit1	What was the profit/loss amount?
Profit2	Does Profit1 refer to profit or loss? 1 Profit 2 Loss
Proftax	Is the figure before deduction of income tax? 1 Before tax 2 After tax
Workacc	Is there a separate bank or building society accounts for work and private finances? 1 Yes 2 No
XB3263	Temporary variable used in calculations – Second subsidiary job: Self employed – amount of gross income. This temporary variable is used to calculate and store the total amount of Income tax and National Insurance paid by the respondent; this is used later in the routing.

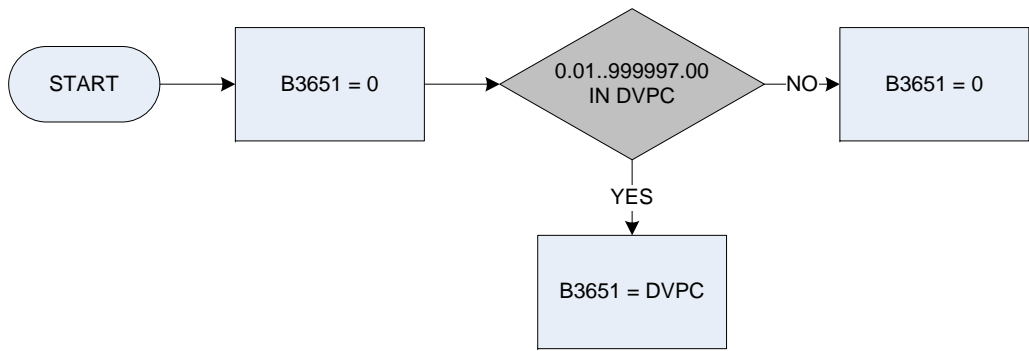
B3381 – State Retirement Pension - Usual amount received



KEY

DVSRP Derived from response to Benamt to give weekly amount for State Retirement Pension (*Benamt: how much did the respondent get last time for this benefit?*)

B3651 – Pension credit amount received

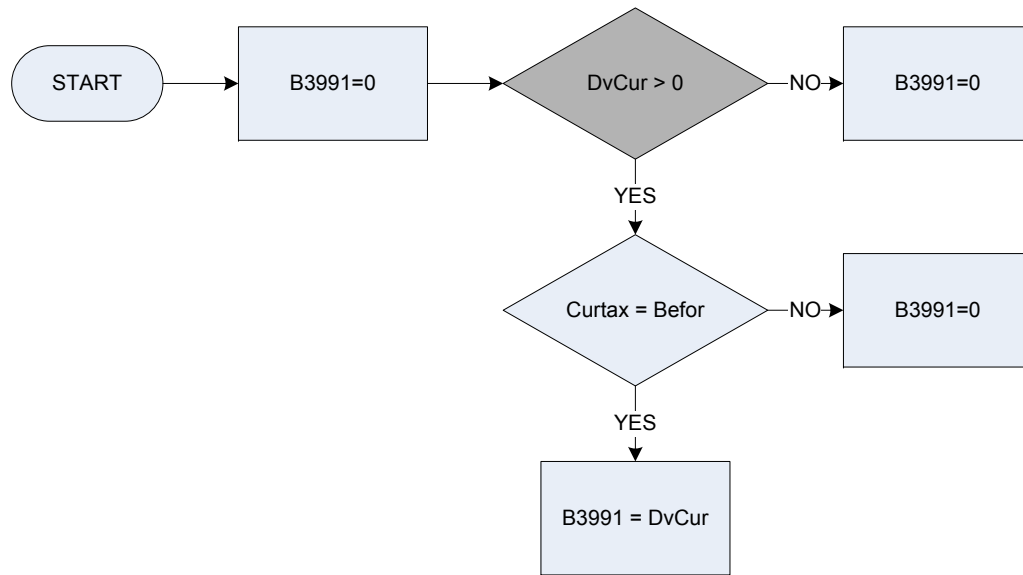


KEY

DVPC

Derived from response to Benamt to give a weekly amount for Pension Credit (*Benamt: How much did the respondent get last time for this benefit?*)

B3991 – Current Account before tax – interest received



KEY

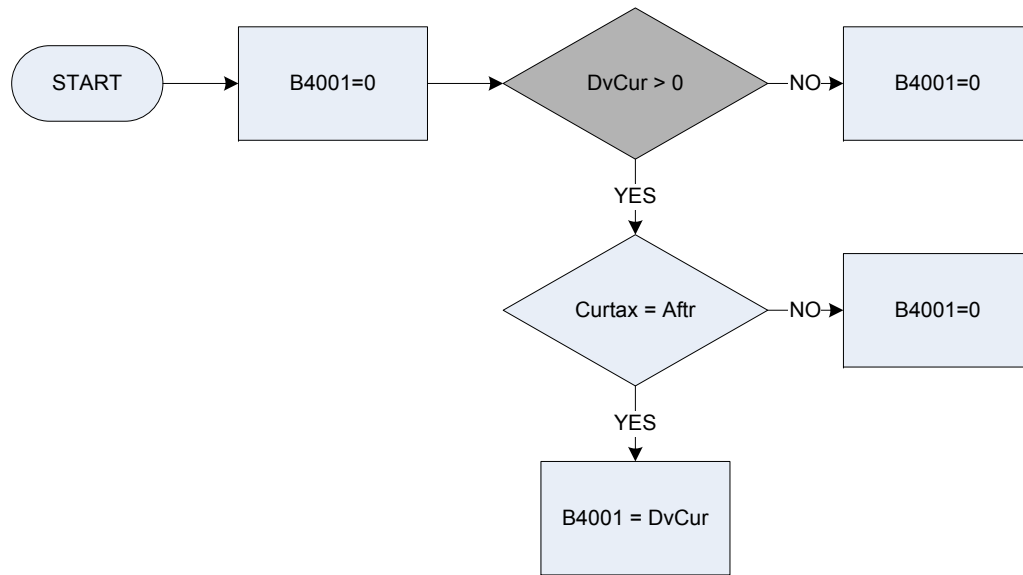
DvCur Derived from CurAmt to give a weekly amount – (*CurAmt – Current Account: What was the total interest over the last 12 months?*)

Curtax Is the interest received AFTER or BEFORE tax?

Aftr After tax,

Befor Before tax

B4001 – Current Account after tax – interest received



KEY

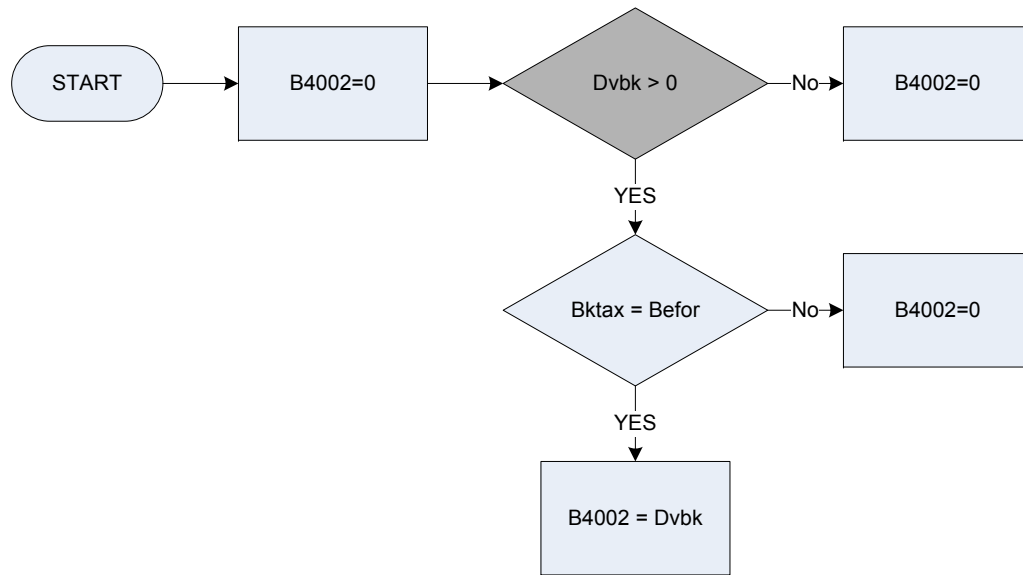
DvCur Derived from CurAmt to give a weekly amount – (*CurAmt – Current Account: What was the total interest over the last 12 months?*)

Curtax Is the interest received AFTER or BEFORE tax?

Afr After tax,

Befor Before tax

B4002 – Bank/Building society before tax – interest received



KEY

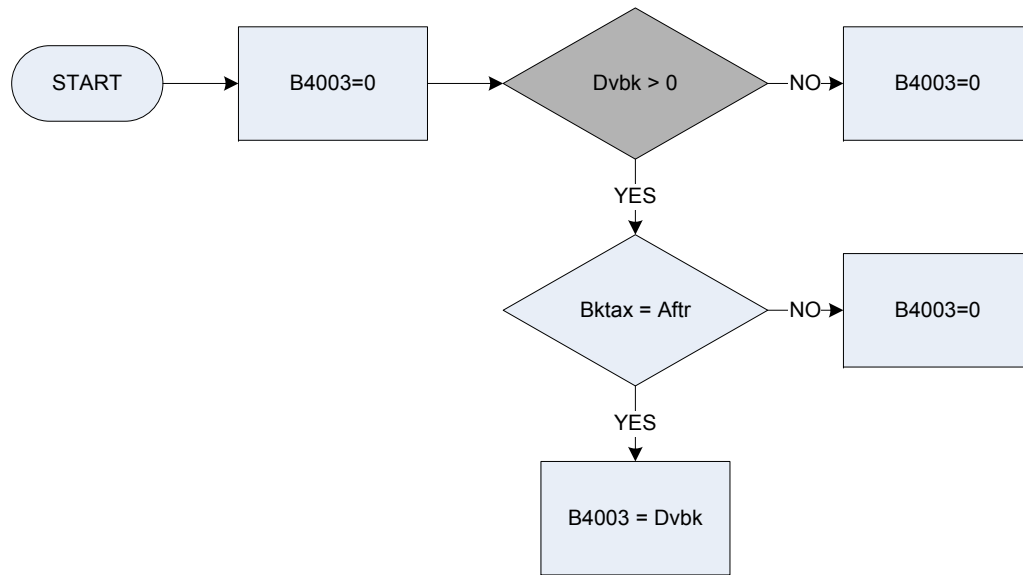
Dvbk Derived from BkAmt to give a weekly amount – (*BkAmt - Bank: What was the total interest over the last 12 months?*)

Bktax Is the interest received AFTER or BEFORE tax?

Aftr After tax

Befor Before tax

B4003 – Bank/Building society after tax – interest received



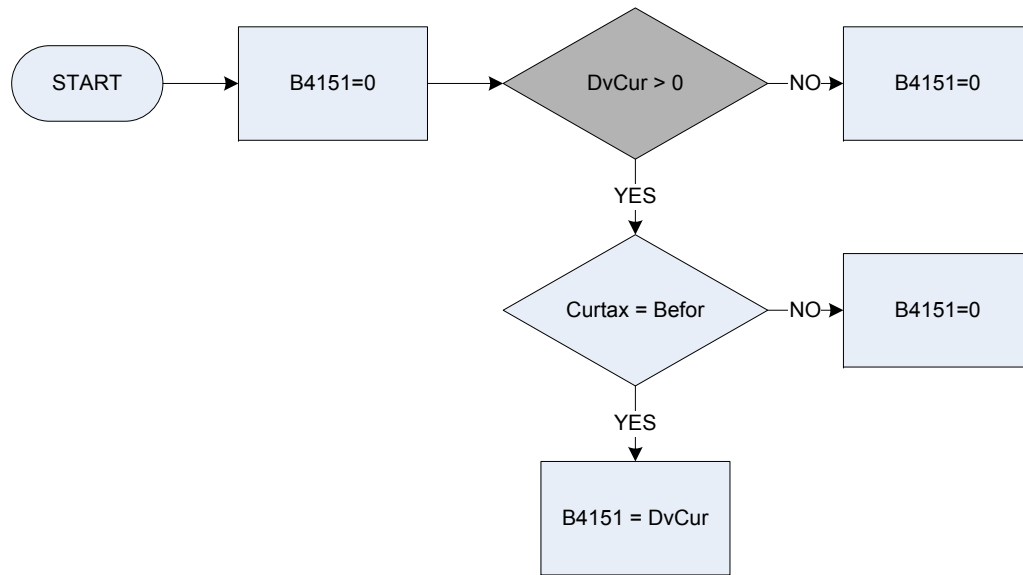
KEY

Dvbk Derived from BkAmt to give a weekly amount – (*BkAmt – BANK: What was the total interest over the last 12 months?*)

Bktax Is the interest received AFTER or BEFORE tax?

Afr After tax,
Befor Before tax

B4151 – Interest received – Current Account before tax



KEY

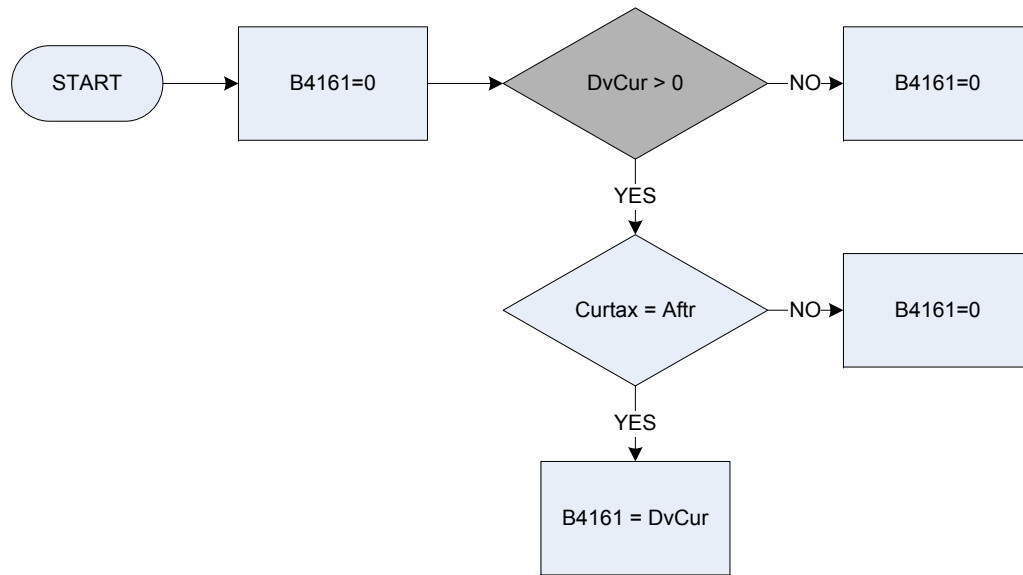
DvCur Derived from CurAmt to give a weekly amount – (*CurAmt – Current Account: What was the total interest over the last 12 months?*)

Curtax Is the interest received AFTER or BEFORE tax?

Aft After tax,

Befor Before tax

B4161 – Interest received – Current Account after tax



KEY

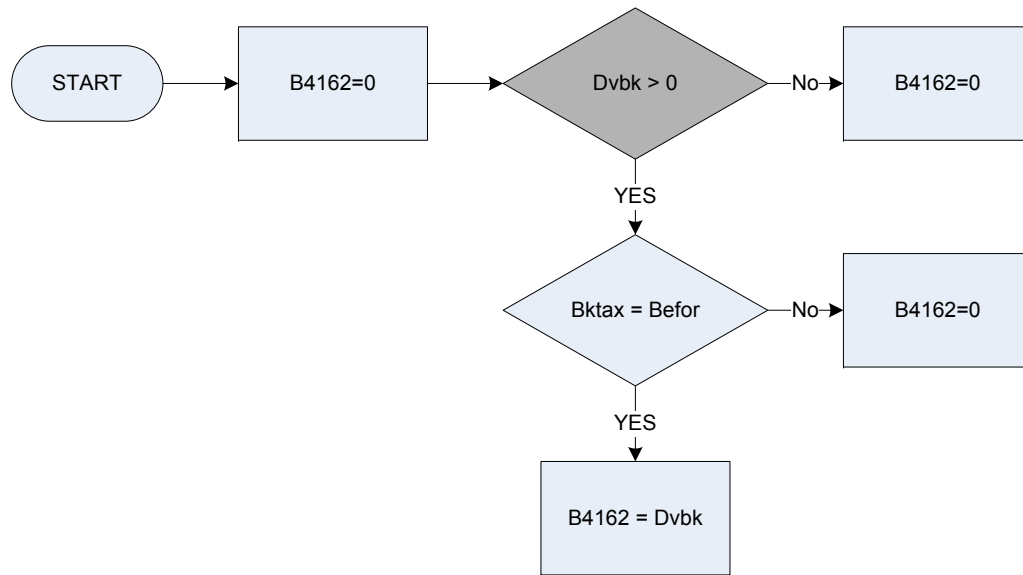
DvCur Derived from CurAmt to give a weekly amount – (*CurAmt – Current Account: What was the total interest over the last 12 months?*)

Curtax Is the interest received AFTER or BEFORE tax?

Afr After tax,

Befor Before tax

B4162 – Interest received – Bank/Building society before tax



KEY

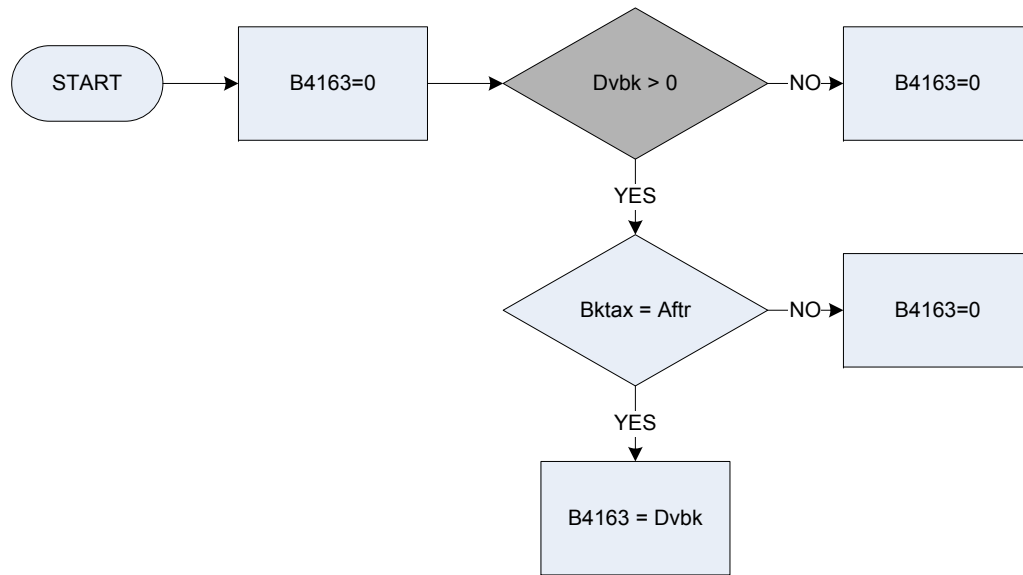
Dvbk Derived from BkAmt to give a weekly amount – (*BkAmt - Bank: What was the total interest over the last 12 months?*)

Bktax Is the interest received AFTER or BEFORE tax?

Aftr After tax

Befor Before tax

B4163 – Interest received – Bank/Building society after tax



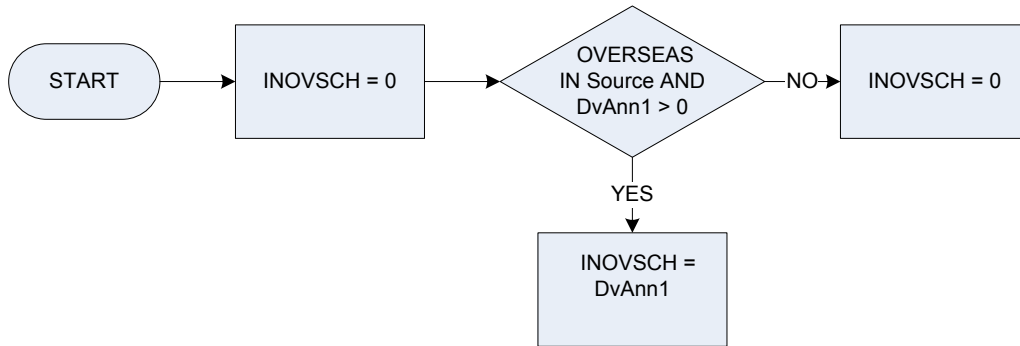
KEY

Dvbk Derived from BkAmt to give a weekly amount – (*BkAmt – BANK: What was the total interest over the last 12 months?*)

Bktax Is the interest received AFTER or BEFORE tax?

Afr After tax,
Befor Before tax

INOVSCH – Education grant received from overseas sponsor



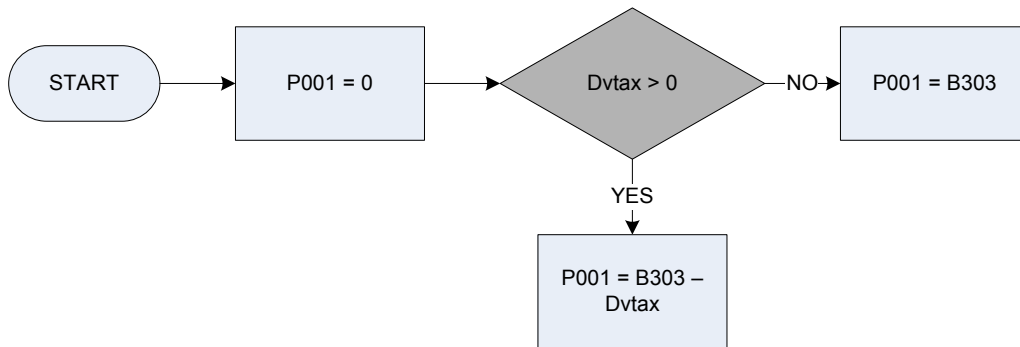
KEY

—

DvAnn1
EGrPsn
Source

Derived from AnnFees to give a weekly amount – (*AnnFees - Education: What is the current annual value of the grant including fees?*)
Education: Person receiving the grant
Source: Is the source of the grant state, private or overseas?

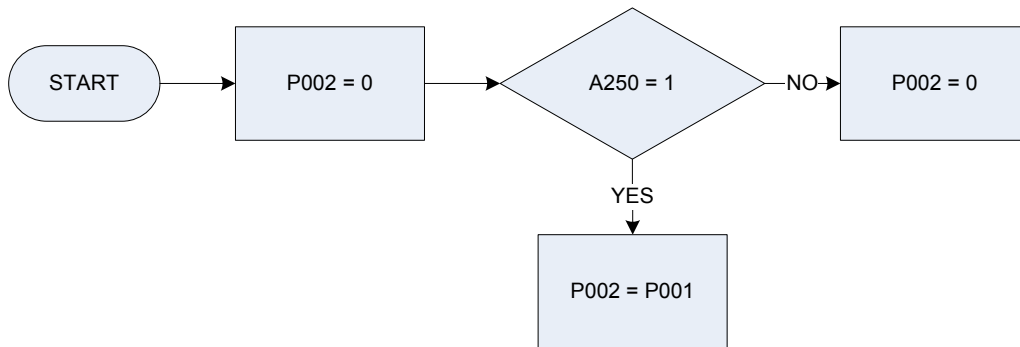
P001 – Take home pay, last time paid (main)



KEY

B303 Pay – amount last time paid
Dvtax Derived from TaxreFam to give a weekly amount – (TaxreFam – Pay: How much was the lrefund of income tax in your last pay?)

P002 – Take home pay, last week, month (main)

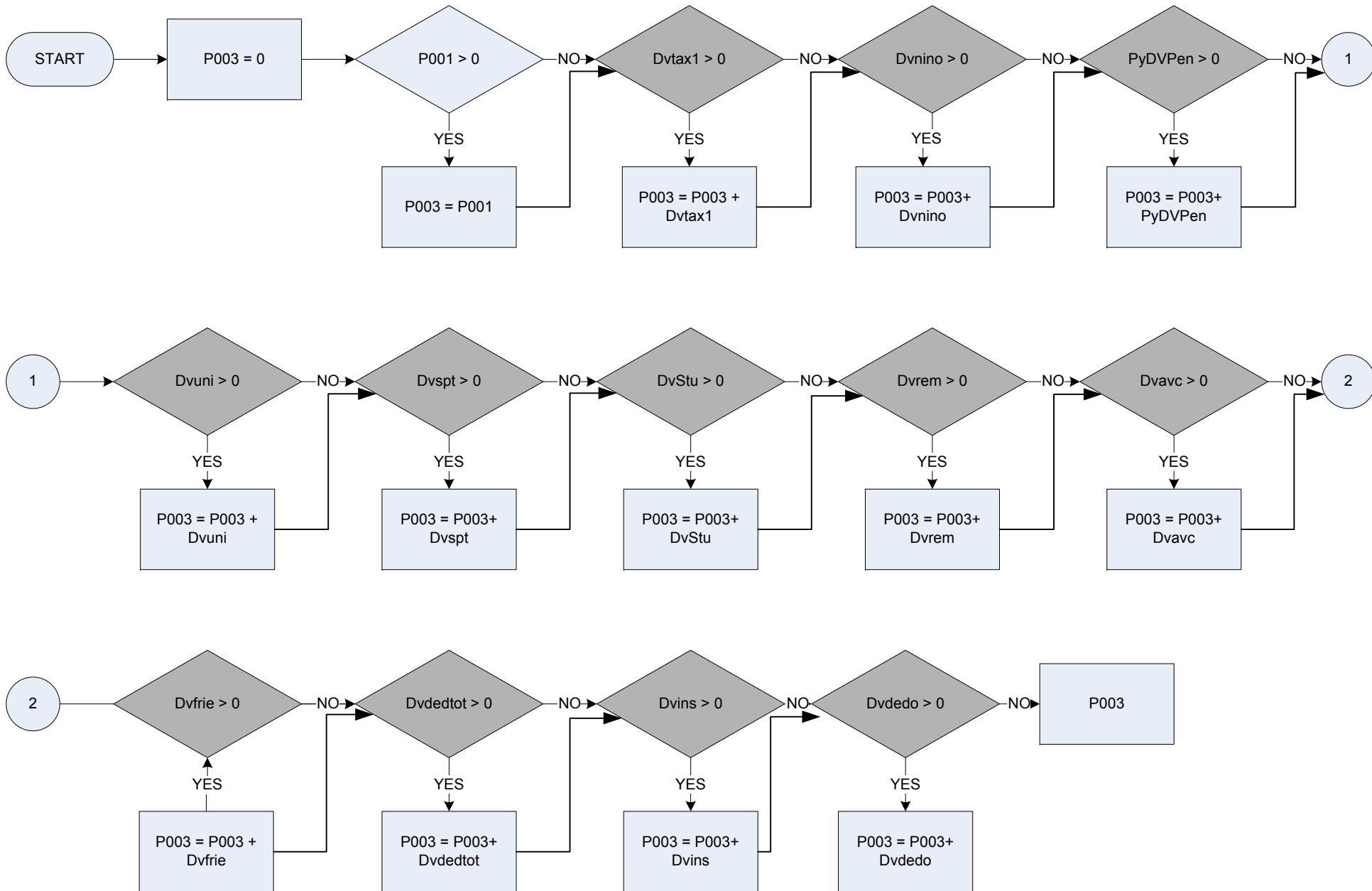


KEY

A250 Main job – last pay was received in specified time period
0 Not recorded
1 Received

P001 Take home pay, last time paid (main)

P003 – Gross wage, salary last time paid (main)

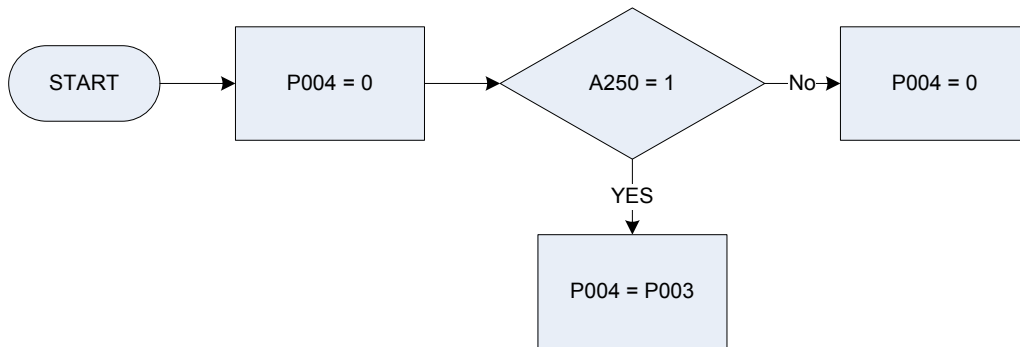


P003 – Gross wage, salary last time paid (main)

KEY

Dvavc	Derived from AVCAmt to give a weekly amount – <i>(AVCAmt -Pay: How much was deducted for AVCs?)</i>
Dvdedo	Derived from PyDAmt to give a weekly amount – <i>(PyDAmt - Pay: How much was deducted for [other deduction]?)</i>
Dvdedtot	Derived from DedTot to give a weekly amount – <i>(DedTot - Pay: How much was deducted for charities?)</i>
Dvfrie	Derived from FrieAt to give a weekly amount – <i>(Pay - FrieAt: How much was deducted for Friendly societies?)</i>
Dvins	Derived from InsAmt to give a weekly amount- <i>(Pay - InsAmt: How much was deducted for private medical insurance?)</i>
Dvnino	Derived from PyNINO to give a weekly amount - <i>(Pay – PyNINO: How much was deducted as a National Insurance Contribution?)</i>
Dvrem	Derived from RemAmt to give a weekly amount- <i>(Pay – RemAmt: How much was deducted for repaying your employer?)</i>
Dvspt	Derived from SptDAmt to give a weekly amount- <i>(Pay - SptDAmt: How much was deducted for sports clubs or specialist pastimes?)</i>
Dvtax1	Derived from PyTax to give a weekly amount - <i>(Pay - Pytax- What was the amount deducted from wage/salary for income tax under PAYE?)</i>
Dvuni	Derived from UnDAmt to give a weekly amount- <i>(Pay - UnDAmt: How much was deducted for union fees?)</i>
P001	Take home pay, last time paid (main)
PyDVPen	Derived from PenDAmt to give a weekly amount- <i>(Pay: How much was deducted for superannuation?)</i>

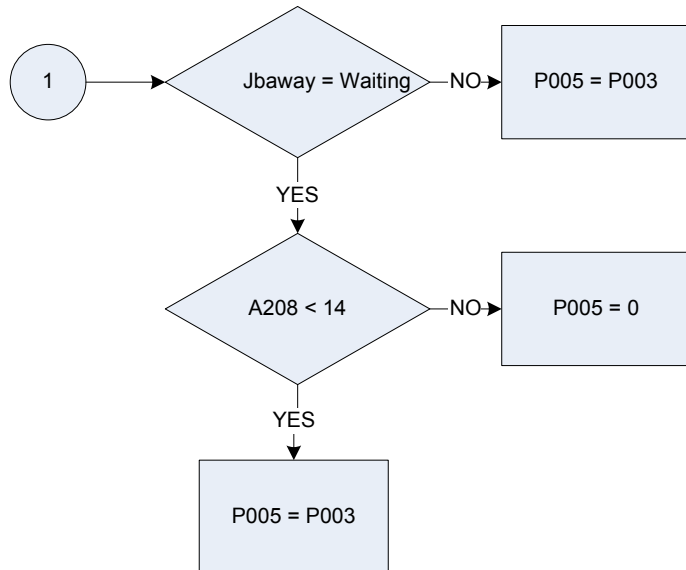
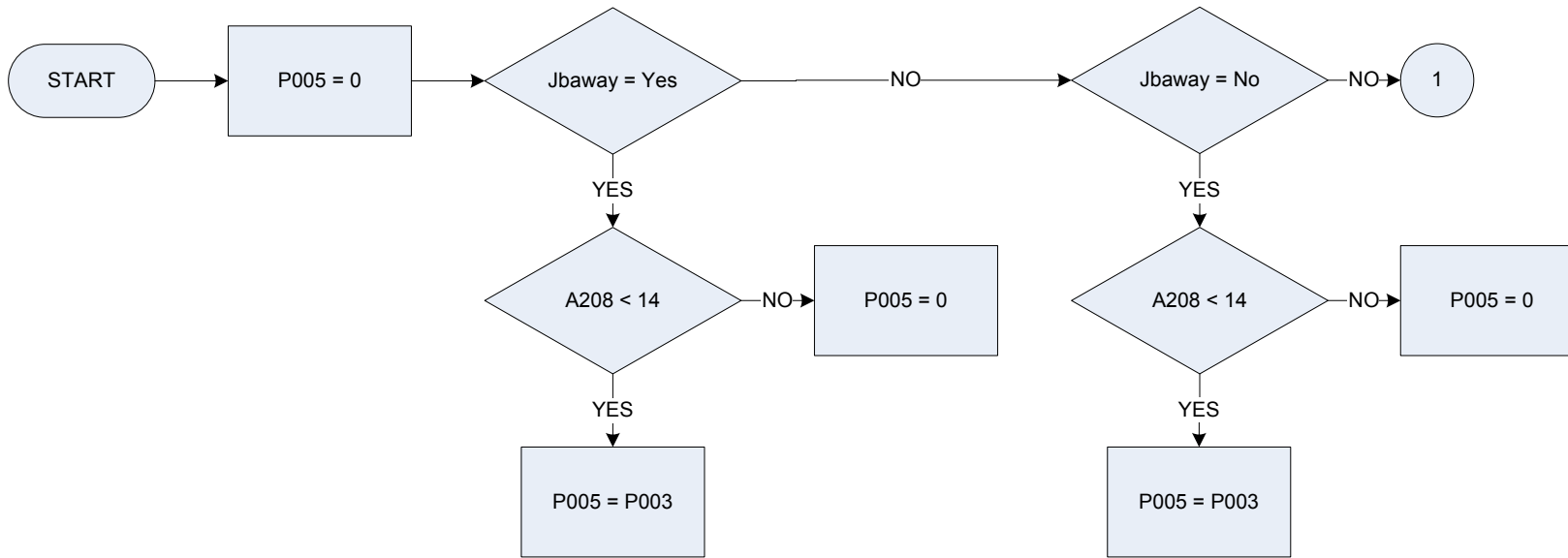
P004 – Gross wage, salary last week, month (main)



KEY

- A250** Main job – last pay received in specified time period
0 Not recorded
1 Received
- P003** Gross wage, salary last time paid (main)

P005 – Gross wage, salary last time paid (main – 13 weeks)



KEY

A208

Number of weeks away from work

Jbaway

Did respondent have a job or business that they were away from?

Yes

"Yes"

No

"No"

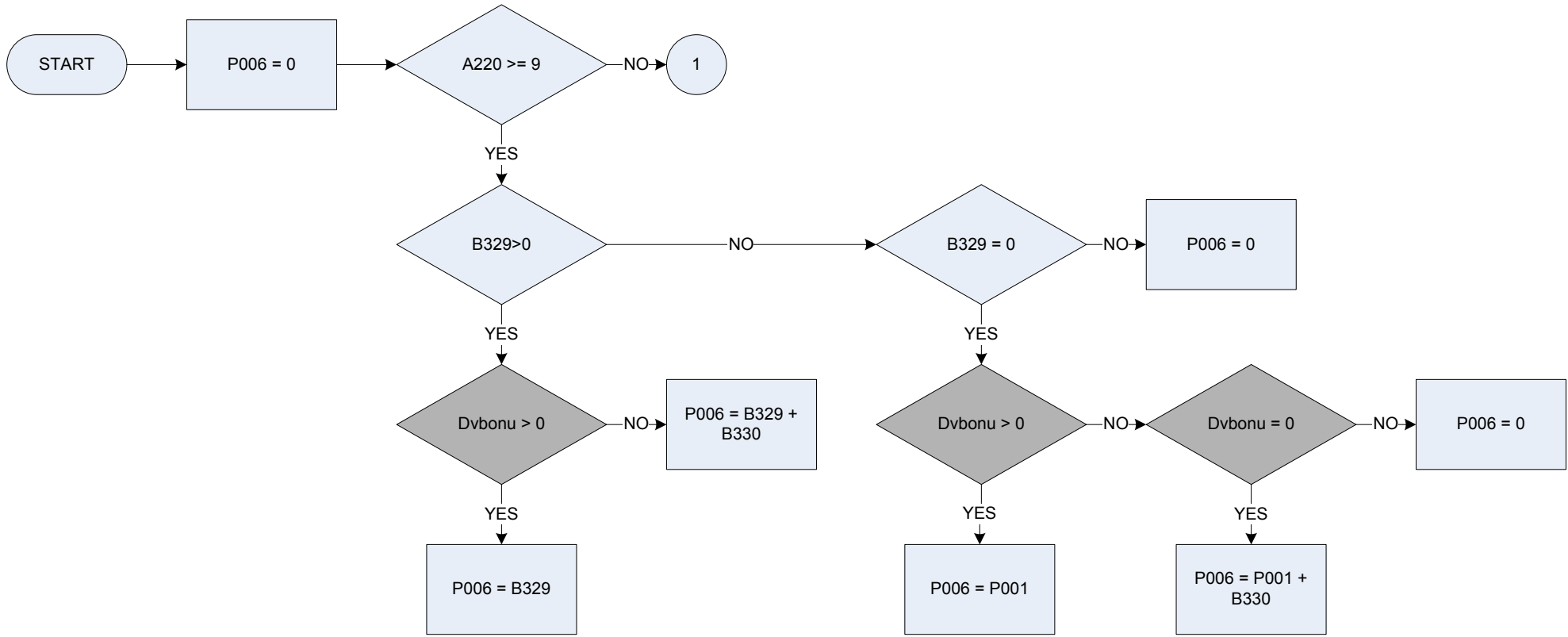
Waiting

"Waiting to take up a new job/business already obtained"

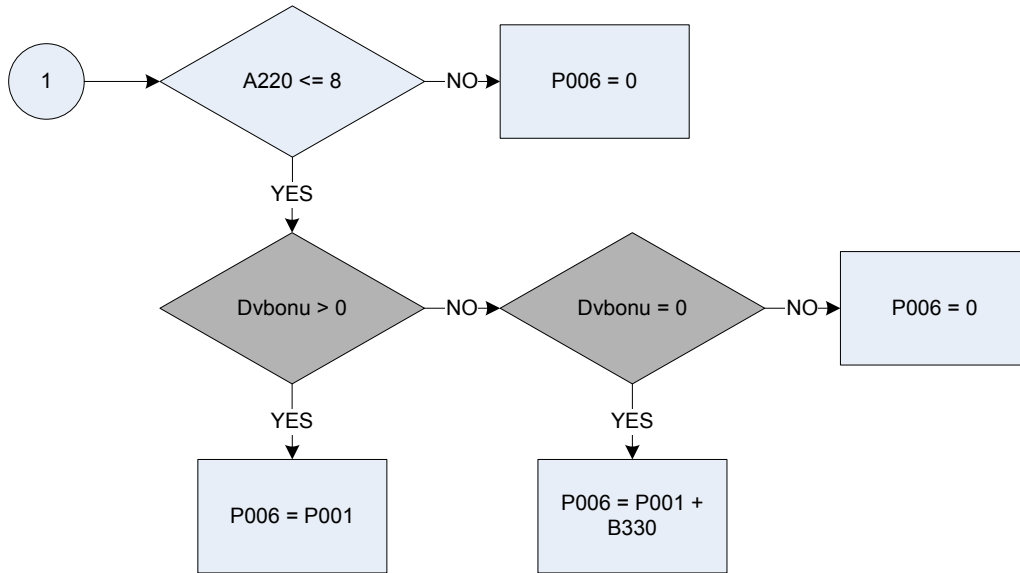
P003

Gross wage, salary last time paid (main)

P006 – Normal take home pay



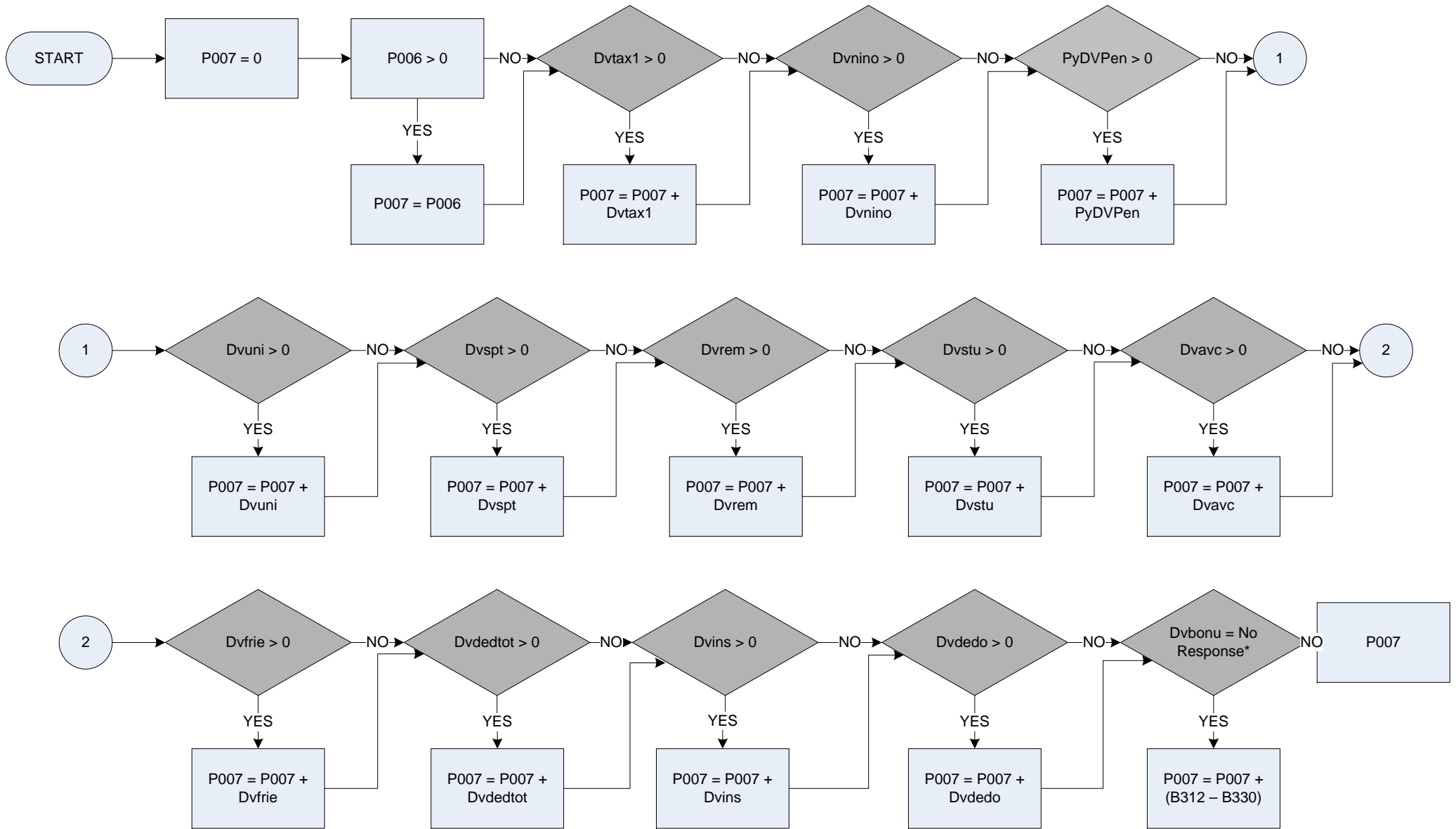
P006 – Normal take home pay



KEY

A220	Usual weekly hours (excluding breaks & overtime)
B329	Usual net pay – employee
B330	Bonus earnings - net amount
Dvbonu	Derived from BonUPAmt to give a weekly amount – <i>(BonUPAmt – Pay: How much bonus/commission is included?)</i>
P001	Take home pay, last time paid (main)

P007 – Normal gross wage, salary



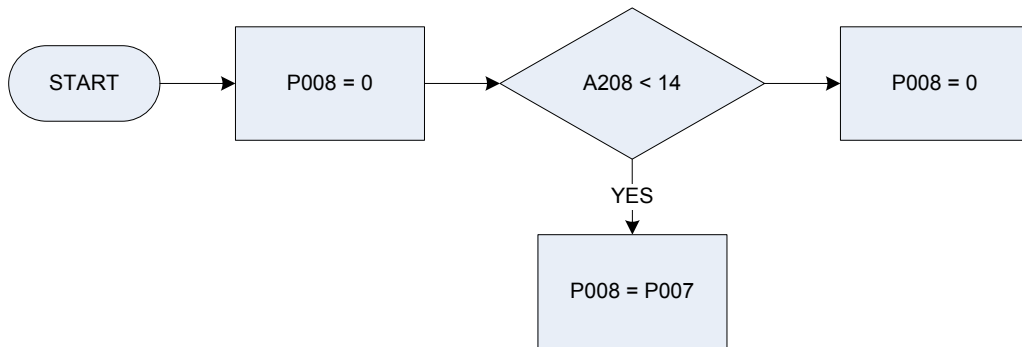
P007 – Normal gross wage, salary

KEY

* 'No response' indicates that the respondent was not routed to the question or the respondent did not answer

B312	Bonus earnings – gross amount
B330	Bonus earnings – net amount
Dvavc	Derived from AVC Amt to give a weekly amount - <i>(AVCAmt - Pay: How much was deducted for AVCs?)</i>
Dvbonu	Derived from BonUP Amt to give a weekly amount – <i>(BonUP Amt - Pay: How much bonus/commission is included?)</i>
Dvdedo	Derived from PyD Amt to give a weekly amount – <i>(PyD Amt - Pay: How much was deducted for [other deduction]?)</i>
Dvdedtot	Derived from DedTot to give a weekly amount – <i>(DedTot - Pay: How much was deducted for charities?)</i>
Dvfrie	Derived from FrieAt to give a weekly amount – <i>(FrieAt - Pay: How much was deducted for Friendly societies?)</i>
Dvins	Derived from InsAmt to give a weekly amount – <i>(InsAmt - Pay: How much was deducted for private medical insurance?)</i>
Dvnino	Derived from PyNINO to give a weekly amount – <i>(PyNINO - Pay: How much was deducted as a National Insurance Contribution?)</i>
Dvrem	Derived from RemAmt to give a weekly amount – <i>(RemAmt - Pay: How much was deducted for repaying your employer?)</i>
Dvstu	Derived from StuAmt to give a weekly amount – <i>(StuAmt - Pay: How much was deducted for your student loan?)</i>
Dvspt	Derived from SptDAmt to give a weekly amount – <i>(SptDAmt - Pay: How much was deducted for sports clubs or specialist pastimes?)</i>
Dvtax1	Derived from PyTax to give a weekly amount – <i>(PyTax – Pay: amount deducted from wage/salary for income tax under PAYE)</i>
Dvuni	Derived from UnDAmt to give a weekly amount – <i>(UnDAmt - Pay: How much was deducted for union fees?)</i>
P006	Normal take home pay
PyDVPen	Derived from PenDAmt to give a weekly amount – <i>(PenDAmt - Pay: How much was deducted for superannuation?)</i>

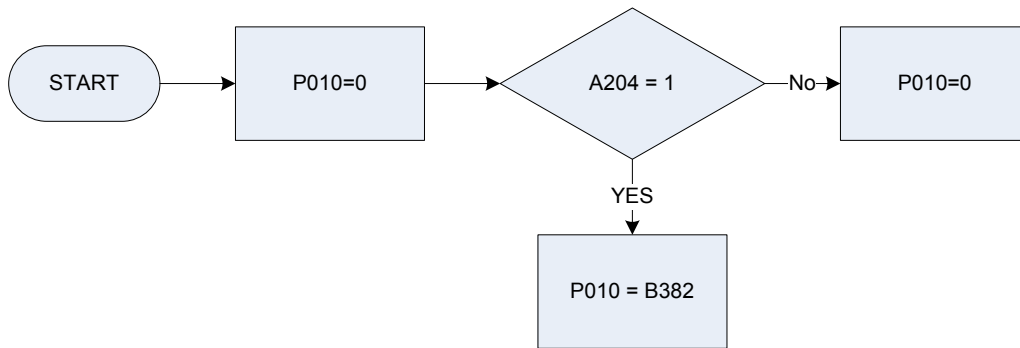
P008 – Normal gross wage, salary (13 week rule)



KEY

A208 Number of weeks away from work
P007 Normal gross wage, salary

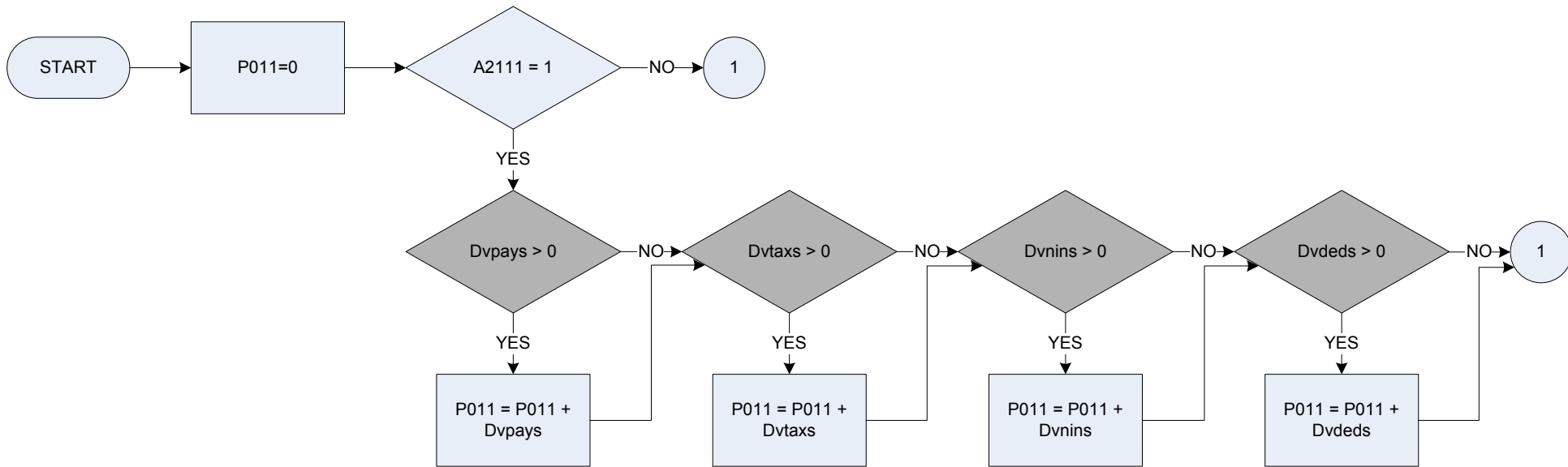
P010 – Government Training Programme allowance - current



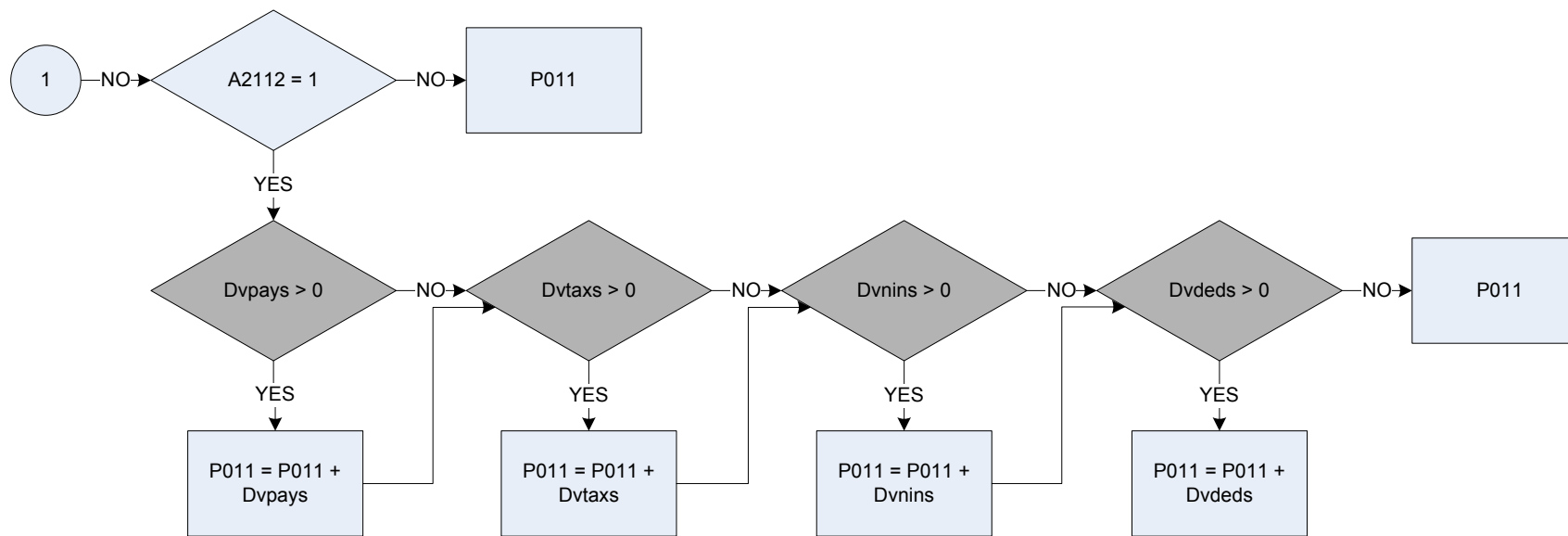
KEY

A204	Government training programme
0	No government training programme
1	Government training programme
B382	Government training scheme – allowance received

P011 – Subsidiary jobs gross wage - last time paid (13 week rule)



P011 – Subsidiary jobs gross wage - last time paid (13 week rule)



KEY

A2111

First subsidiary job - employment: paid in last 13 wks

0 Not recorded

1 Yes

A2112

Second subsidiary job - employment: paid in last 13 wks

0 Not recorded

1 Yes

Dvpays

Derived from SJbAmt to give a weekly amount – (SJbAmt – Subsidiary Job: What was the respondents LAST take home pay, (what will be their take home pay) including overtime, b bonus, commission or tips?)

Dvtaxs

Derived from SJbTax to give a weekly amount – (SJbTax – Subsidiary Job: How much was deducted from the respondents wage/salary for income tax under PAYE?)

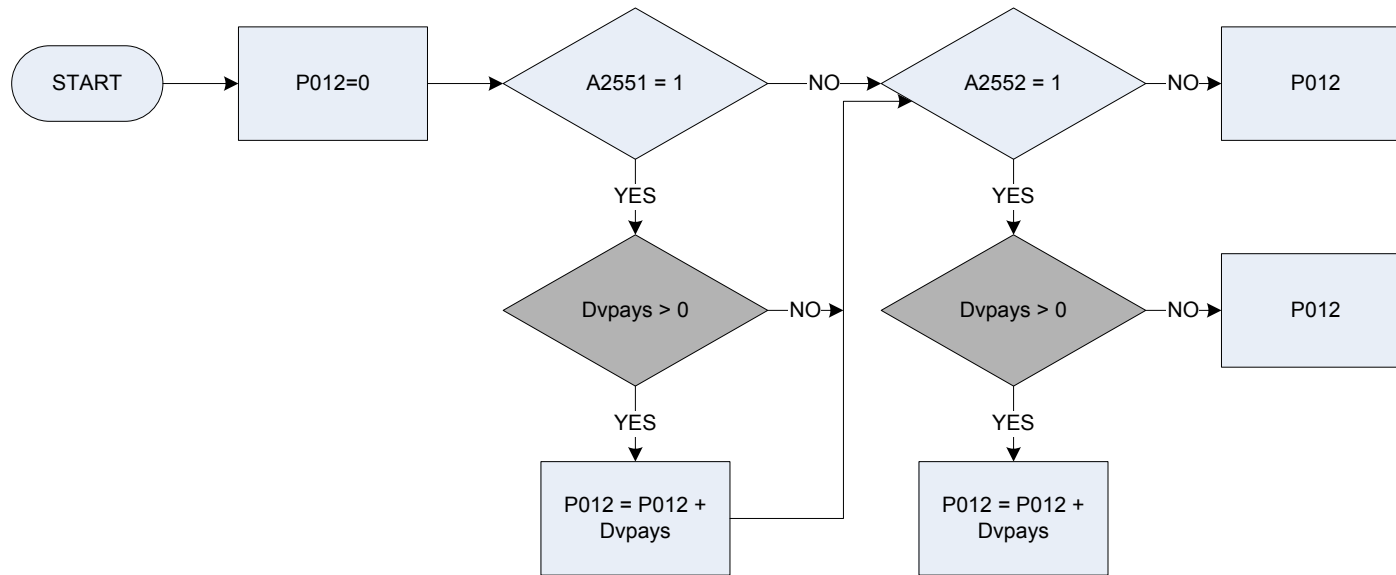
Dvnins

Derived from SJbNino to give a weekly amount – (SJbNINO – Subsidiary Job: How much was deducted as National Insurance Contribution?)

Dvdeds

Derived from SJbDAmt to give a weekly amount – (SJbDAmt – Subsidiary Job: How much was deducted for this deduction?)

P012 – Subsidiary jobs – last take home pay



KEY

A2551 First subsidiary job - employee: last pay was received in specified time period

0 Not recorded

1 Yes

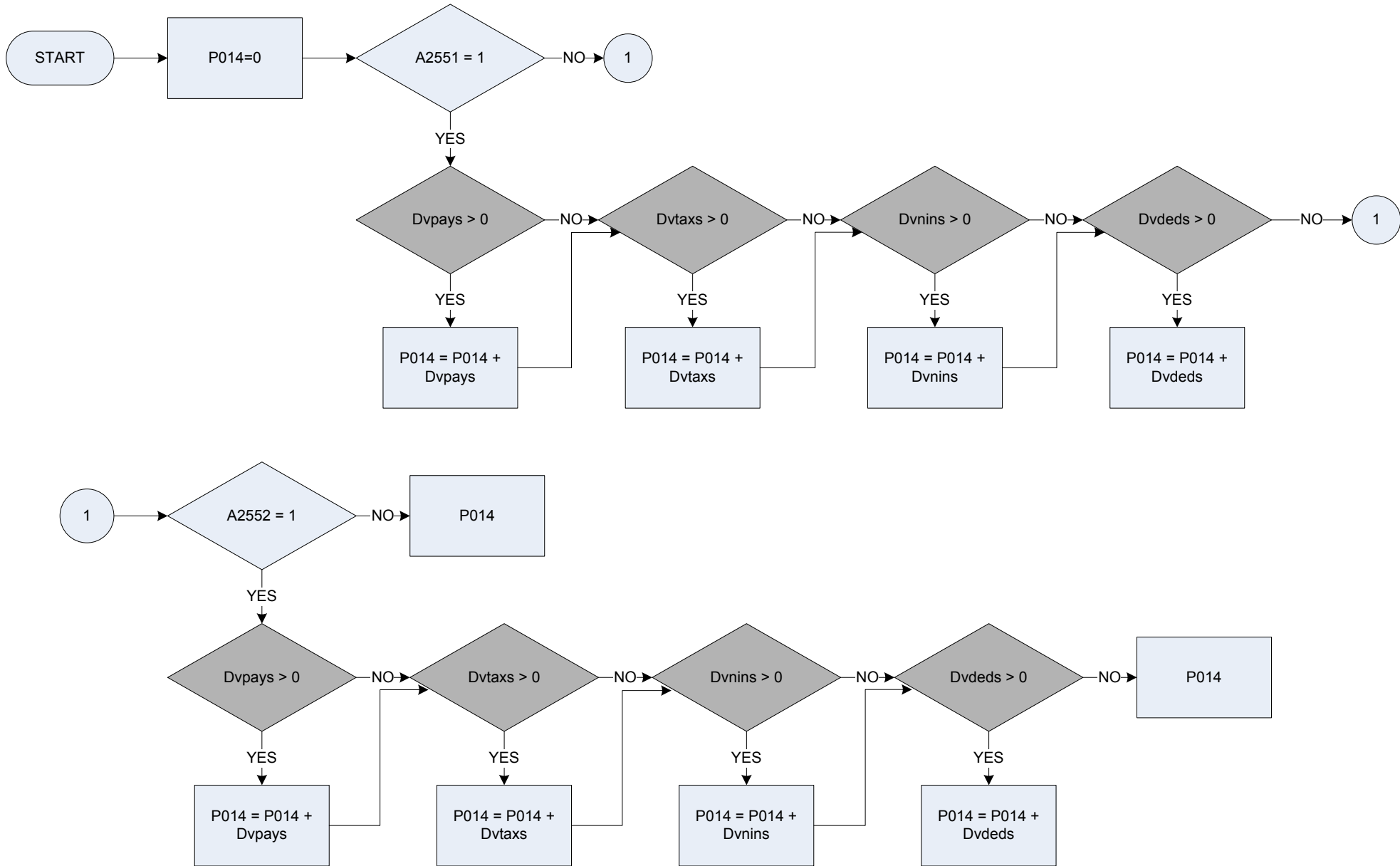
A2552 Second subsidiary job – employee: last pay was received in specified time period

0 Not recorded

1 Yes

Dvpays Derived from SJbAmt – (SJbAmt - Subsidiary Job: What was the respondents LAST take home pay, (what will be the take home pay) including overtime, bonus, commission or tips?)

P014 – Subsidiary jobs gross wage - salary last week, month

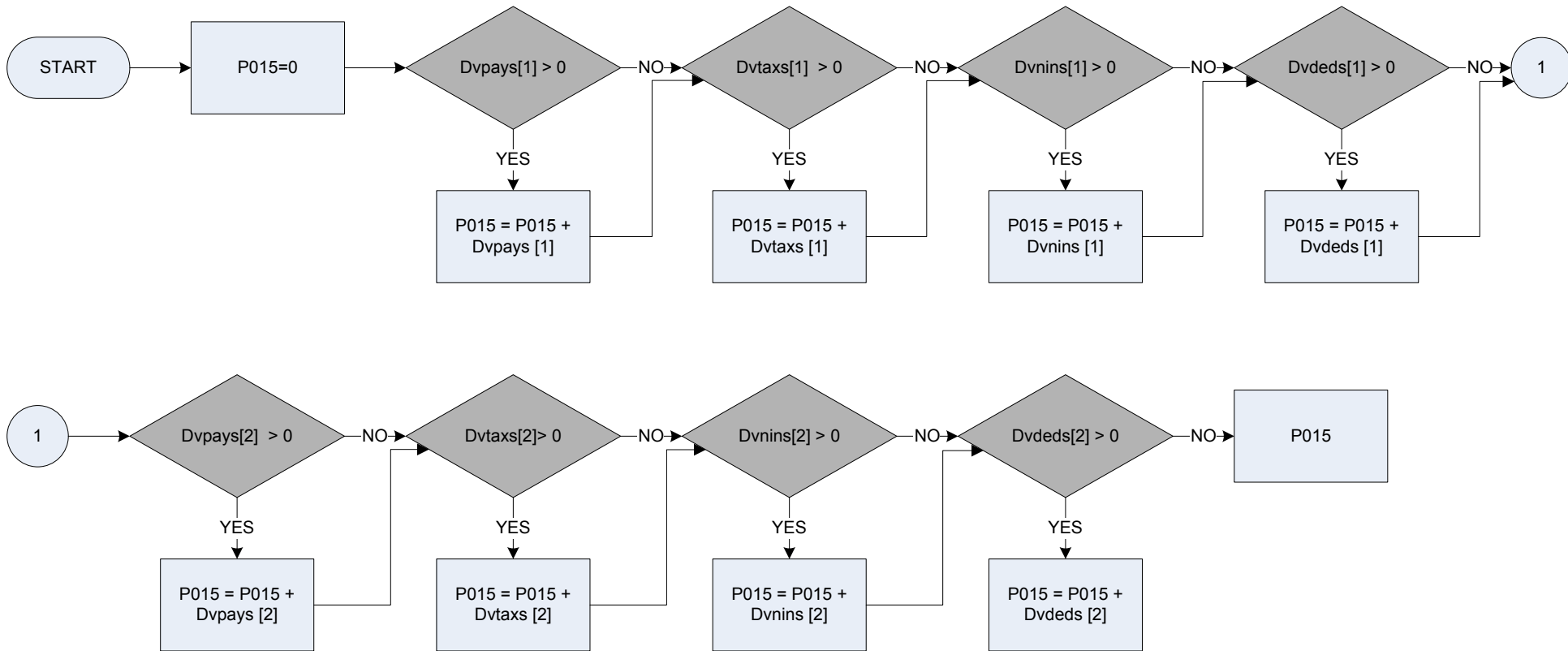


P014 – Subsidiary jobs gross wage - salary last week, month

KEY

A2551	First subsidiary job - employee: last pay was received in specified time period 0 Not recorded 1 Yes
A2552	Second subsidiary job – employee: last pay was received in specified time period 0 Not recorded 1 Yes
Dvpays	Derived from SJbAmt to give a weekly amount – (<i>SJbAmt – Subsidiary Job: What was the respondents LAST take home pay, (what will be their take home pay) including overtime, bonus, commission or tips?</i>)
Dvtaxs	Derived from SJbTax to give a weekly amount – (<i>SJbTax – Subsidiary Job: How much was deducted from the respondents wage/salary for income tax under PAYE?</i>)
Dvnins	Derived from SJbNino to give a weekly amount – (<i>SJbNINO – Subsidiary Job: How much was deducted as National Insurance Contribution?</i>)
Dvdeds	Derived from SJbDAmt to give a weekly amount – (<i>SJbDAmt – Subsidiary Job: How much was deducted for this deduction?</i>)

P015 – Subsidiary jobs gross wage - salary last time paid



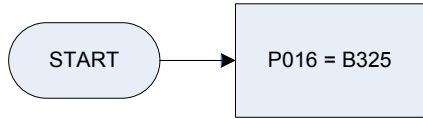
KEY

- Dvdeds** Derived from SJbDAmt to give a weekly amount - (SJbDAmt – Subsidiary Job: How much was deducted for this deduction?)
- Dvnins** Derived from SJbNino to give a weekly amount - (SJbNINO – Subsidiary Job: How much was deducted as National Insurance Contribution?)
- Dvpays** Derived from SJbAmt to give a weekly amount – (SJbAmt – Subsidiary Job: What was the respondents LAST take home pay, (what will be their take home pay) including overtime, bonus, commission or tips?)
- Dvtaxes** Derived from SJbTax to give a weekly amount – (SJbTax – Subsidiary Job: How much was deducted from the respondents wage/salary for income tax under PAYE?)

NOTE

- Coding allows for up to 2 subsidiary jobs:
- [1] Subsidiary job number one/ second job.
- [2] Subsidiary job number two/ third job.

P016 – Current industrial injury disablement benefit

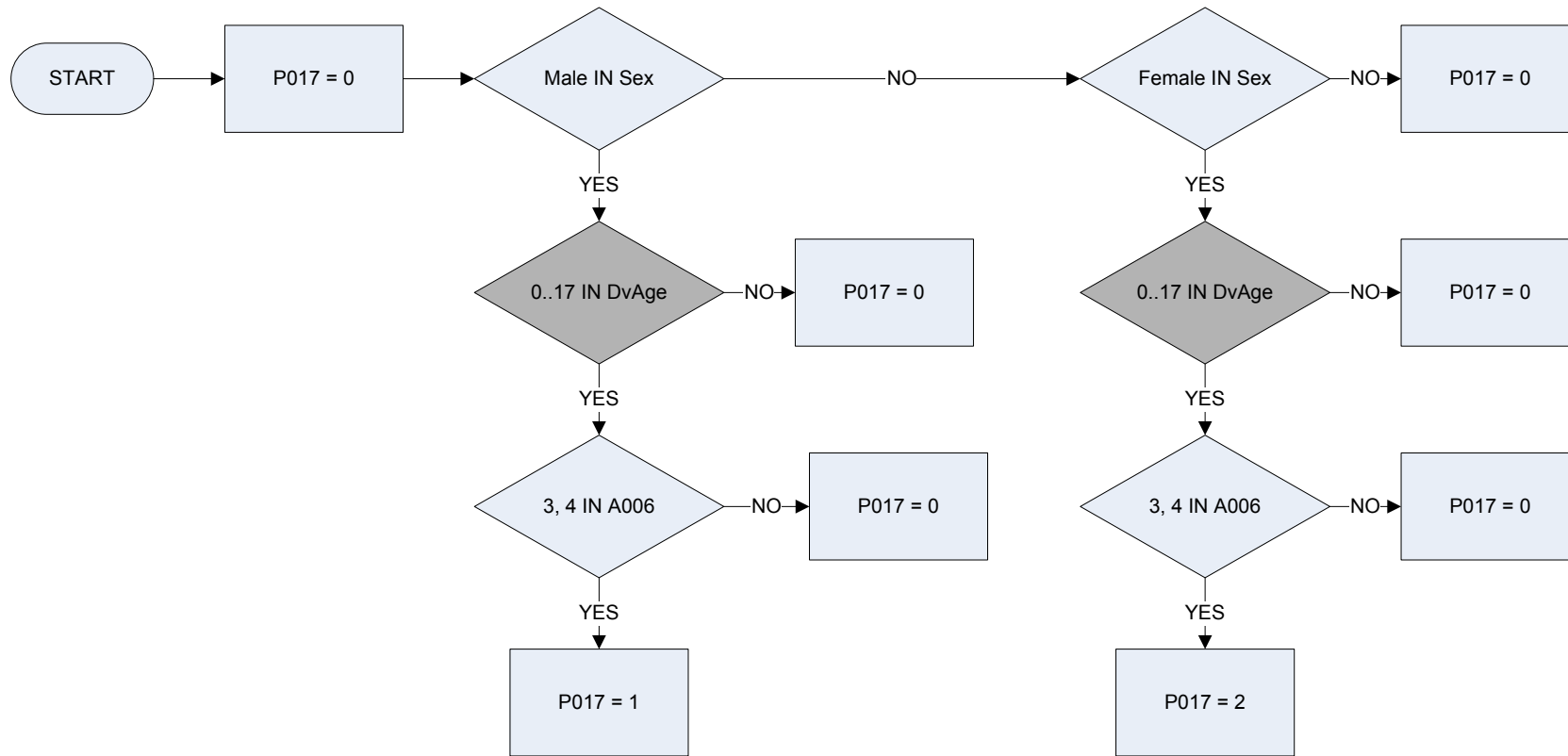


KEY

B325

Industrial injury disablement benefit – What was the last amount received?

P017 – Dependent child aged under 18



KEY

A006

Marital status

- 1 spouse in household
- 2 spouse not household
- 3 Cohabitee
- 4 Single
- 5 Widowed
- 6 Divorced
- 7 Separated
- 8 Civil Partner in HH
- 9 Civil Partner not in HH
- 10 Former Civil Partner

DvAge

Derived from Birth and Agelf - Age for whole sample

P017

Child aged under 18

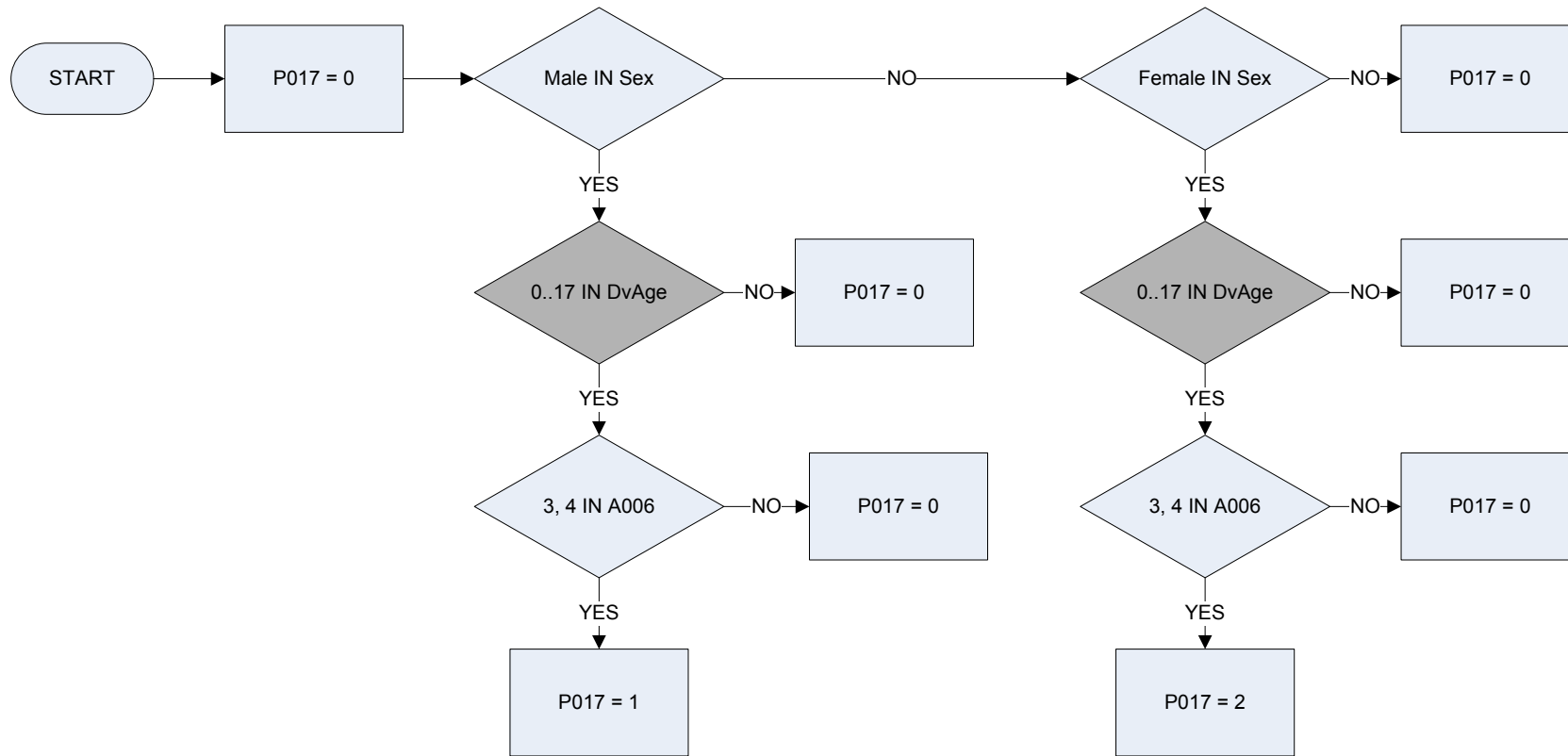
- 0 Not recorded
- 1 Male child under 18
- 2 Female child under 18

Sex

Sex

- 1 Male
- 2 Female

P017 – Dependent child aged under 18



KEY

A006

Marital status

- 1 spouse in household
- 2 spouse not household
- 3 Cohabitee
- 4 Single
- 5 Widowed
- 6 Divorced
- 7 Separated
- 8 Civil Partner in HH
- 9 Civil Partner not in HH
- 10 Former Civil Partner

DvAge

Derived from Birth and Agelf - Age for whole sample

P017

Child aged under 18

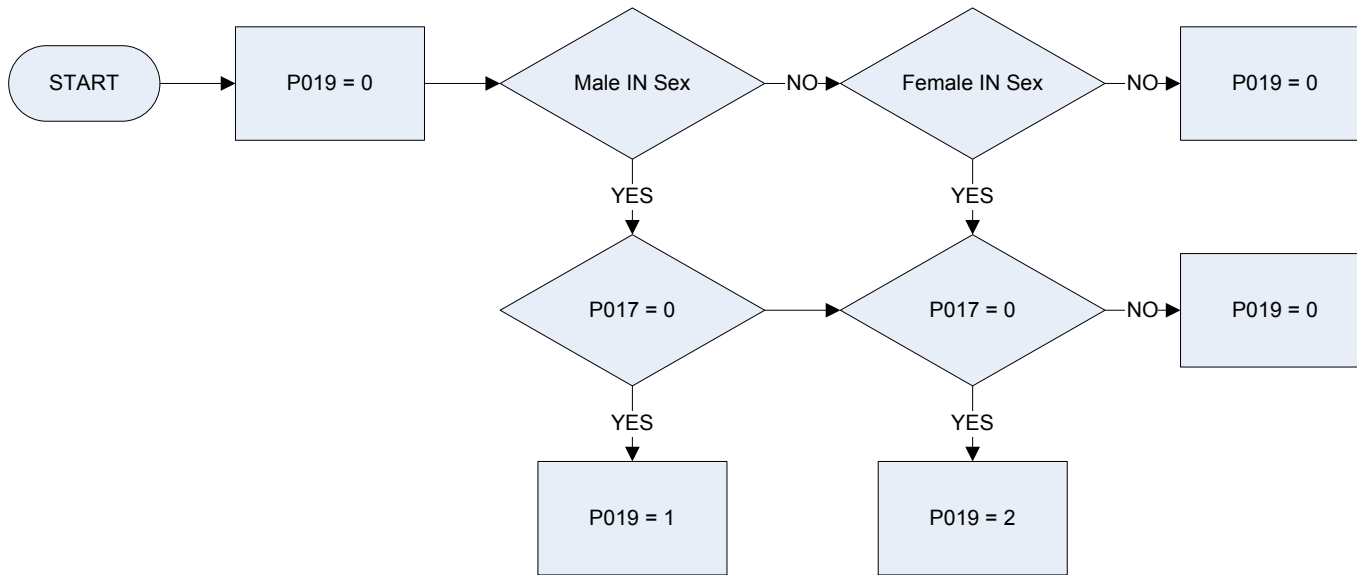
- 0 Not recorded
- 1 Male child under 18
- 2 Female child under 18

Sex

Sex

- 1 Male
- 2 Female

P019 - Adult



KEY

DvAge
P017

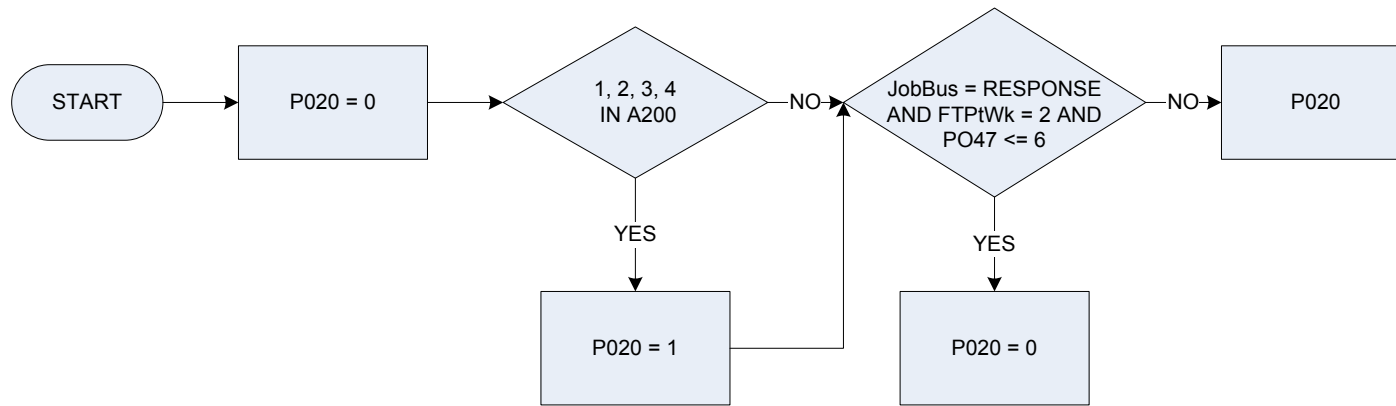
Derived from Birth and Agelf - Age for whole sample
Child aged under 18

- 0** Not recorded
- 1** Male child under 18
- 2** Female child under 18

P019

- Adult
- 0** Not recorded
- 1** Male adult
- 2** Female adult

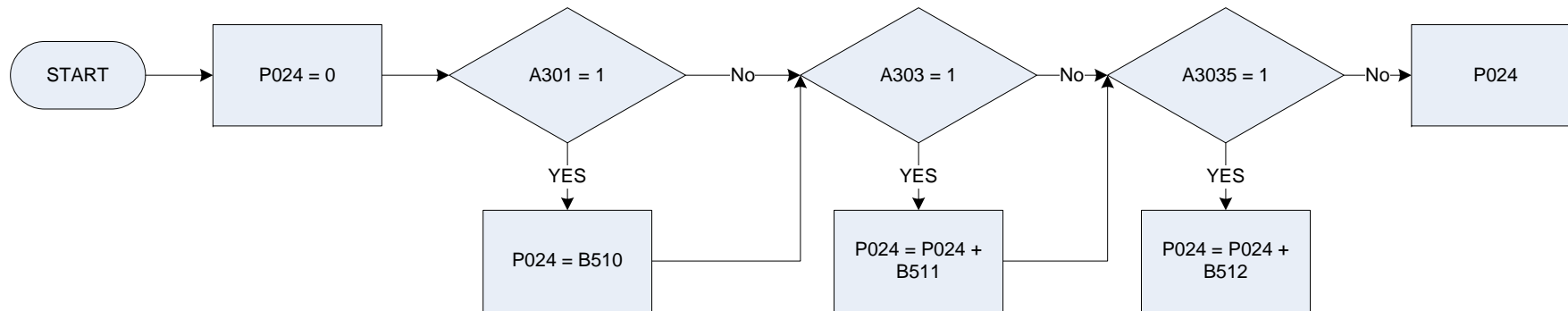
P020 – Person working



KEY

A200	Employment status
0	<i>Not recorded</i>
1	<i>Employee</i>
2	<i>Self-employed or employer</i>
3	<i>Out of employment, seeking work within last 4 weeks & available to start a job</i>
4	<i>Out of employment, waiting to start a job already obtained</i>
5	<i>Sick or injured</i>
6	<i>Retired including Job Release Scheme</i>
7	<i>Unoccupied</i>
Jobbus	To have a job or business
FTPtWk	Working part time in main job
P020	Person working
0	<i>Not recorded</i>
1	<i>Worker (1990 defn)</i>
P047	Income from self-employment

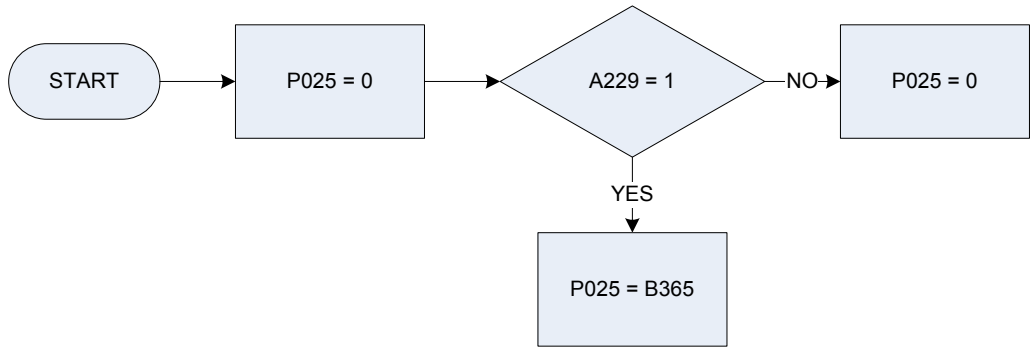
P024 – Job Seekers Allowance – amount received



KEY

A301	JSA (contribution based) receiving at present
A303	JSA (income based) – receiving at present
A3035	JSA (combination of contribution and income based) – receiving at present
B510	JSA (contribution based) – last amount received
B511	JSA (income based) – amount received
B512	JSA (combination of contribution and income based) – amount received

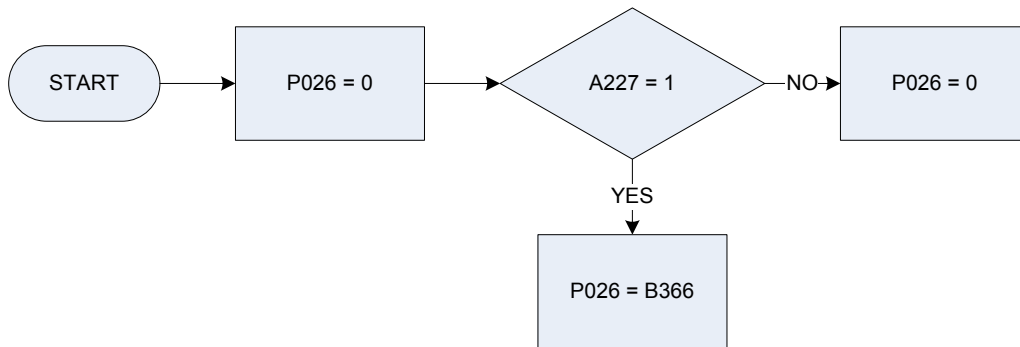
P025 – Income support amount received



KEY

A229 Income support – receiving at present
B365 Income support – amount received

P026 – Incapacity benefit – amount received at present

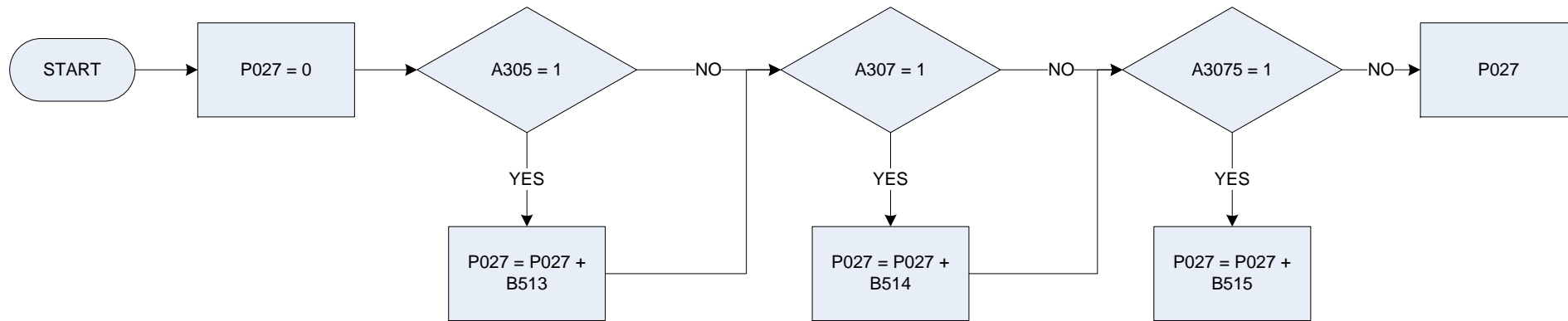


KEY

A227
B366

Incapacity benefit – receiving at present
Incapacity benefit – amount last received

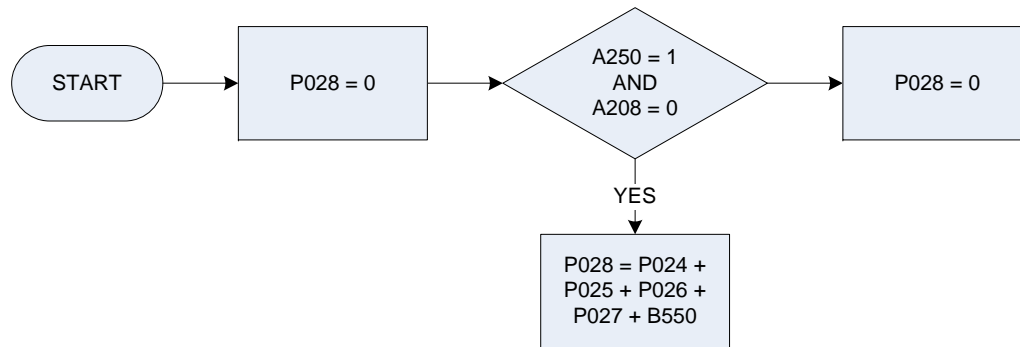
P027 – Employment Support Allowance – amount received



KEY

A305	ESA (Contribution based) receiving at present 0 Not applicable 1 Receiving at present
A307	ESA (Income based) receiving at present 0 Not applicable 1 Receiving at present
A3075	ESA (Combination of contribution and income based) receiving at present 0 Not applicable 1 Receiving at present
B513	ESA (Contribution based) last amount received
B514	ESA (Income based) last amount received
B515	ESA (Combination of contribution and income based) last amount received

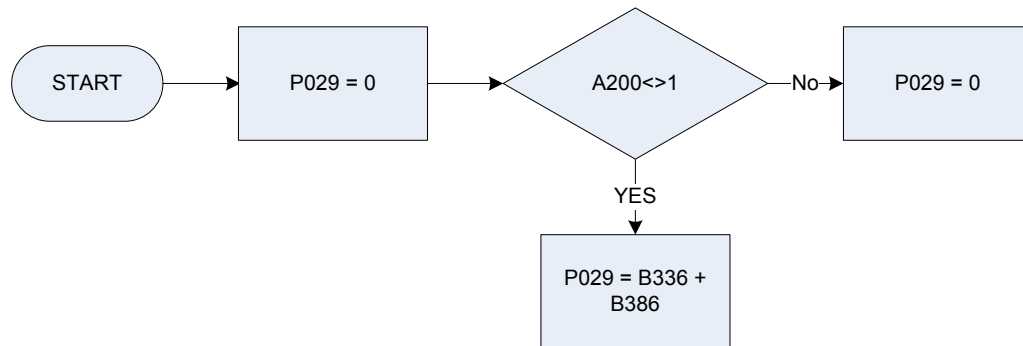
P028 – Social security benefits concurrent with earnings



KEY

A208	Number of weeks away from work
A250	Main job – last wage was last week/month
	<i>0</i> Not recorded
	<i>1</i> Received
B550	Universal credit – amount received
P024	Job Seekers Allowance – current
P025	Income support amount received
P026	Incapacity benefit – amount received at present
P027	Employment support allowance (ESA)

P029 – NI contributions paid by non - employees

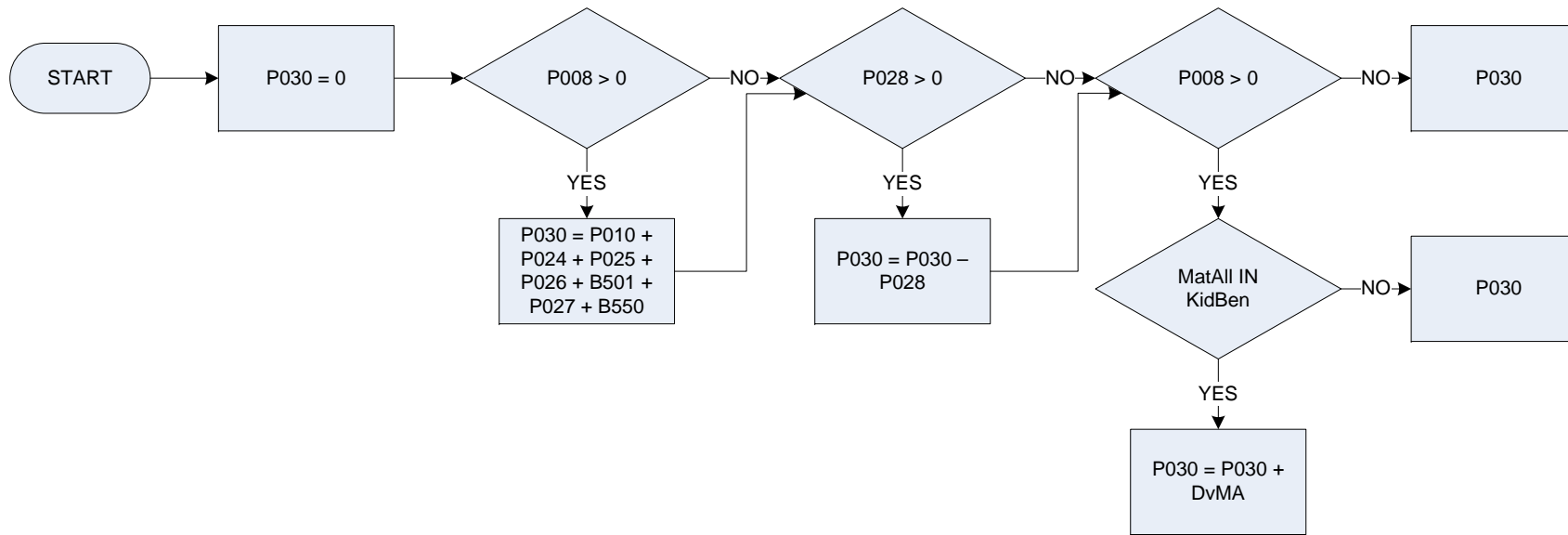


KEY

A200	Employment status
0	<i>Not recorded</i>
1	<i>Employee</i>
2	<i>Self-employed or employer</i>
3	<i>Out of employment, seeking work within last 4 weeks & available to start a job</i>
4	<i>Out of employment, waiting to start a job already obtained</i>
5	<i>Sick or injured</i>
6	<i>Retired including Job Release Scheme</i>
7	<i>Unoccupied</i>

B336	NI contributions - amount paid
B386	NI contributions direct - amount paid

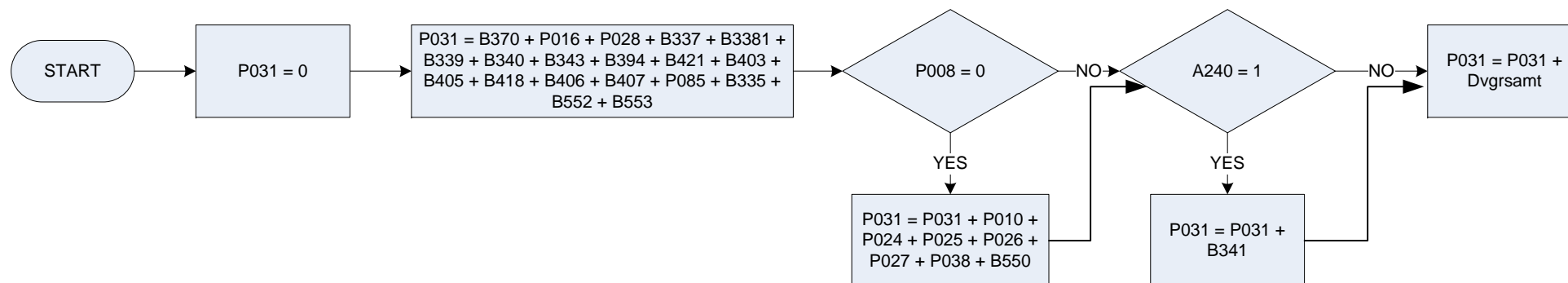
P030 – Social security benefits excld income by 13 week rule



KEY

B501	Private benefits – amount received at present
B550	Universal Credit received – amount received
DvMA	Derived Variable for Maternity allowance
KidBen	<i>ChildBen</i> <i>Child Benefit</i> <i>GuardAll</i> <i>Guardian's Allowance</i> <i>MatAll</i> <i>Maternity Allowance</i> <i>None</i> <i>None of these</i>
P008	Normal gross wage, salary (13 week rule)
P010	GTP allowance – current
P024	Job Seekers Allowance – current
P025	Income support amount received
P026	Incapacity benefit – amount received at present
P027	Employment Support Allowance – amount received at present
P028	Social security benefits concurrent with earnings

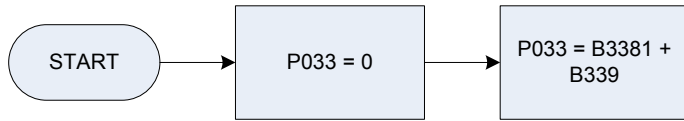
P031 – Social security benefits included in income calcs



KEY

A240	Maternity allowance – receiving at present <i>0 Not applicable</i> <i>1 Receiving at present</i>
B335	Guardians allowance - amount received
B337	Child benefit last amount received
B339	NI widows benefit - amount of last payment
B340	War disability widows pension - amount received
B341	Maternity allowance - amount received
B343	Invalid care allowance – amount
B370	Tax credits received as benefits
B394	Xmas bonus - amount received
B403	Disability living allowance (self care)
B405	Disability living allowance (mobility)
B406	Maternity grant - amount received
B418	Severe disablement benefit - last received – amount
B421	Attendance allowance last amount received
B550	Universal credit – amount received
B552	Personal independence Payment (care component) – amount received
B553	Personal independence Payment (mobility component) – amount received
B3381	Retirement pension –usual amt received
DVGrAmt	Derived from GrosAmt- Gross Pay from: Wages or salary; Self employed; Investments, Pensions and annuities, Social Security benefits (for those who refused to answer main income questions).
P008	Normal gross wage, salary (13 week rule)
P010	GTP allowance – current
P016	Indst injury disablement benefit - current
P024	Job Seekers Allowance - current
P025	Current income support
P026	Incapacity benefit - amount received at present
P028	Social security benefits concurrent with earnings
P031	Social security benefits included in income calcs
P038	Pension Credit amount received
P085	Any other benefit - amount currently received

P033 – Social security retirement, old age, widows pensions

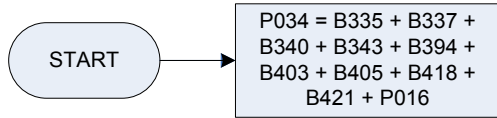


KEY

B339
B3381

NI widows benefit – amount of last payment
NI retirement pension – last amount received

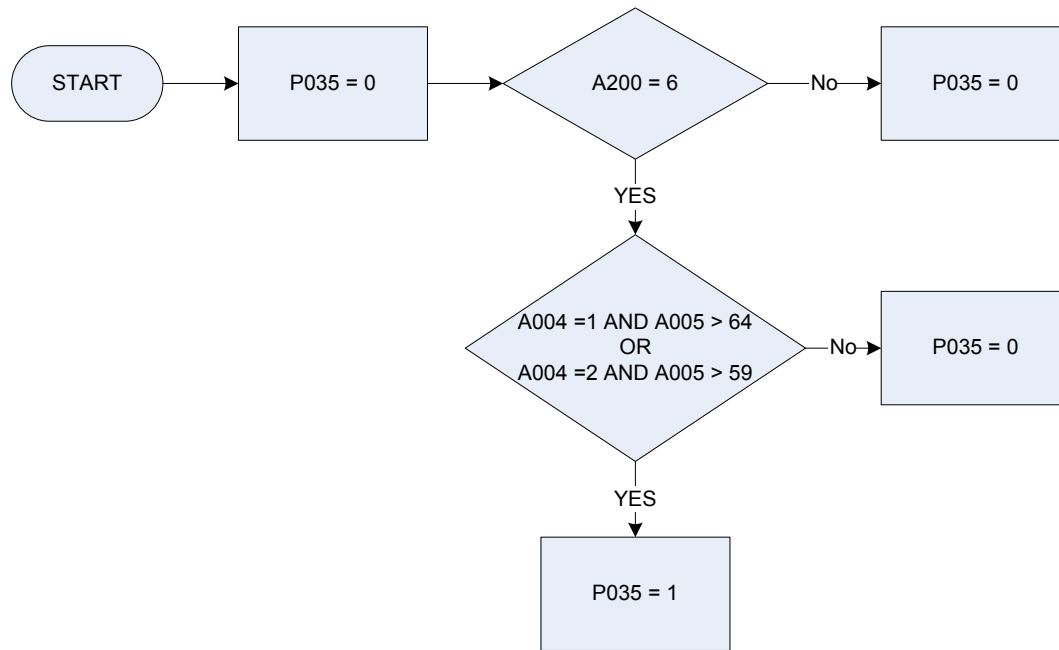
P034 – Other pensions benefits and allowance



KEY

B335	Guardian allowance – amount received
B337	Child benefit last amount received
B340	War disability widows pension – amount received
B343	Invalid care allowance - amount
B394	Xmas bonus – amount received
B403	Disability living allowance (self-care)
B405	Disability living allowance
B418	Severe disablement benefit – last received - amount
B421	Attendance allowance last amount received
P016	Indst injury disablement benefit - current

P035 – Retired and of minimum NI pension age



KEY

A004

Sex

1 Male

2 Female

A005

Age

A200

Retired including Job Release Scheme

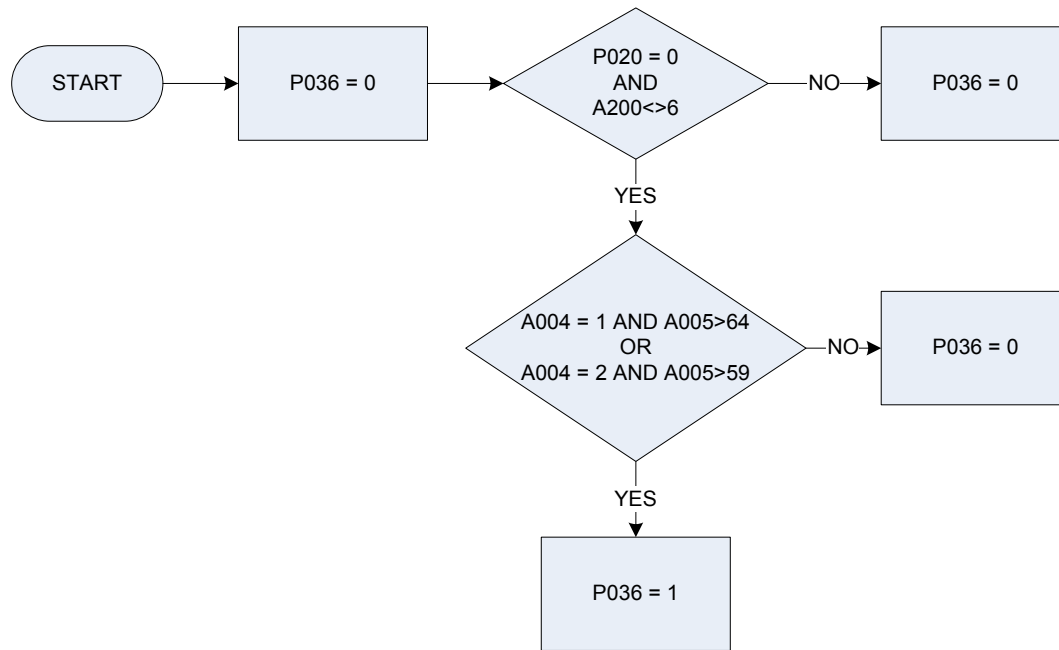
P035

Retired and of minimum NI pension age

0 Not recorded

1 Retd & min pens age

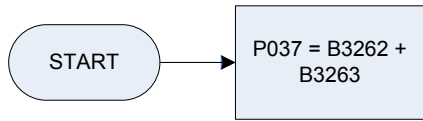
P036 - Unoccupied and of minimum NI pension age



KEY

A004	Sex	
	1	Male
	2	Female
A005	Age	
A200	Employment status	
	0	Not recorded
	1	Employee
	2	Self-employed or employer
	3	Out of employment, seeking work within last 4 weeks & available to start a job
	4	Out of employment, waiting to start a job already obtained
	5	Sick or injured
	6	Retired including Job Release Scheme
	7	Unoccupied
P020	Person working	
P036	Unoccupied and of minimum NI pension age	
	0	Not recorded
	1	Unoc & min pens age

P037 – Income from subsidiary self-employment

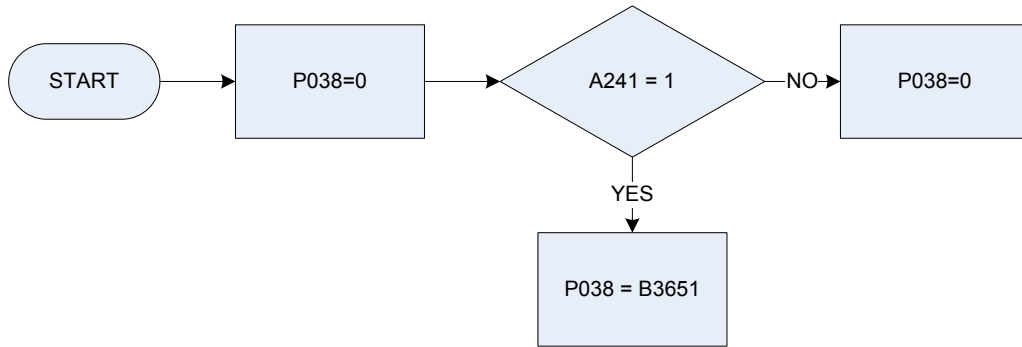


KEY

B3262
B3263

First subsidiary job: SE amount of gross profit
Second subsidiary job: SE amount of gross profit

P038 – Pension credit amt received - current

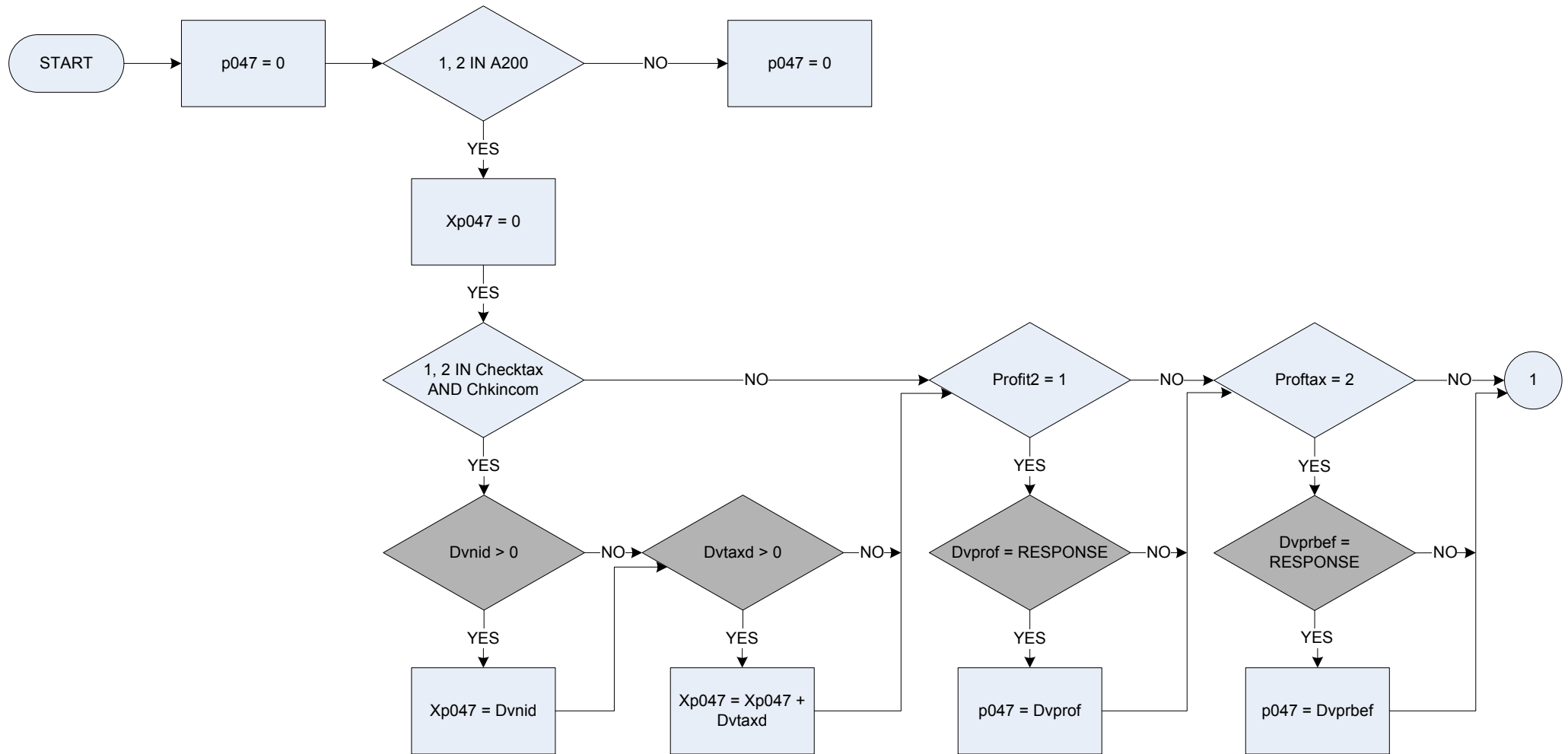


KEY

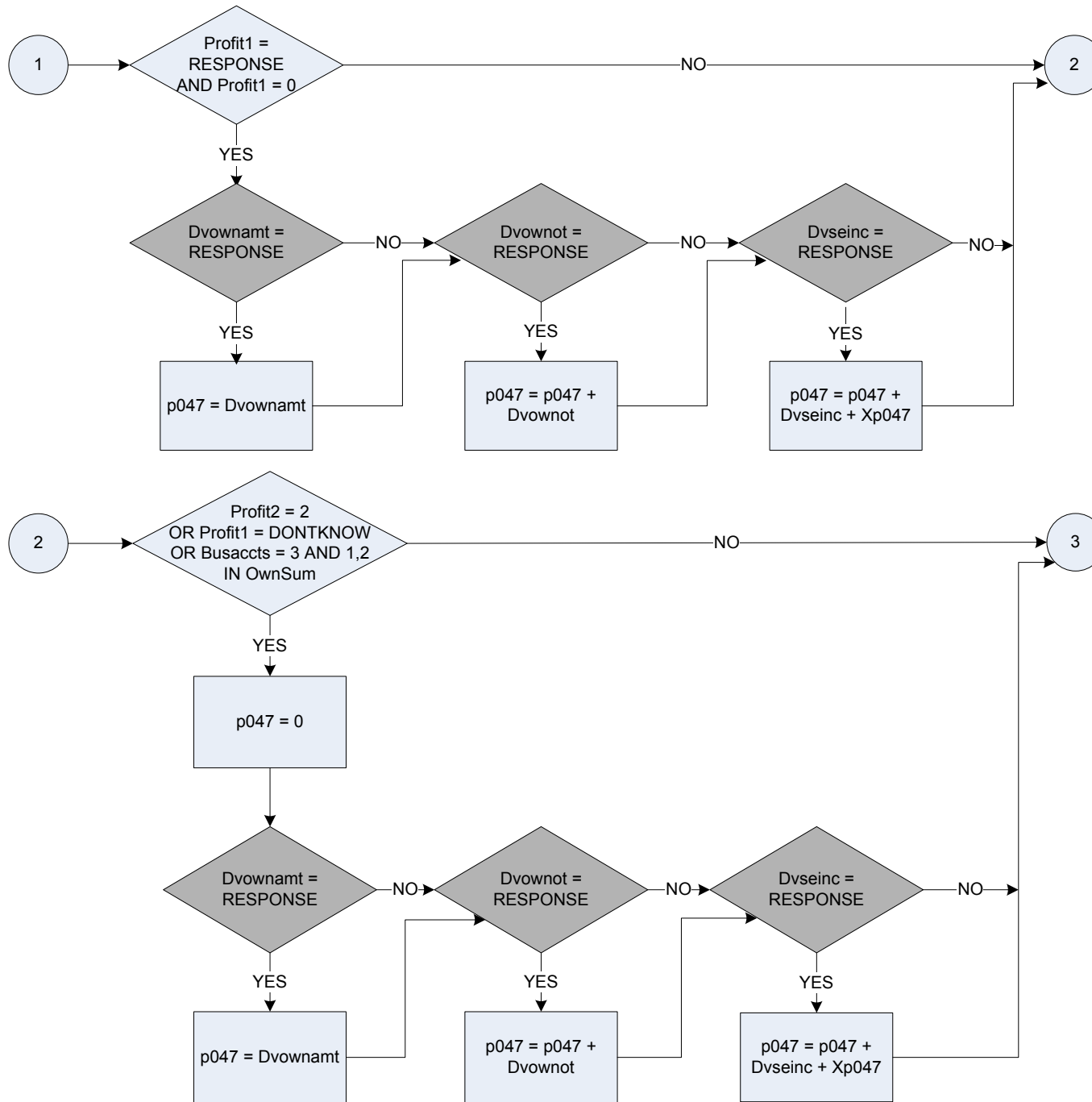
A241 Pension credit – receiving at present
0 Not recorded,
1 Pension credit – currently received

B3651 Pension credit amount received

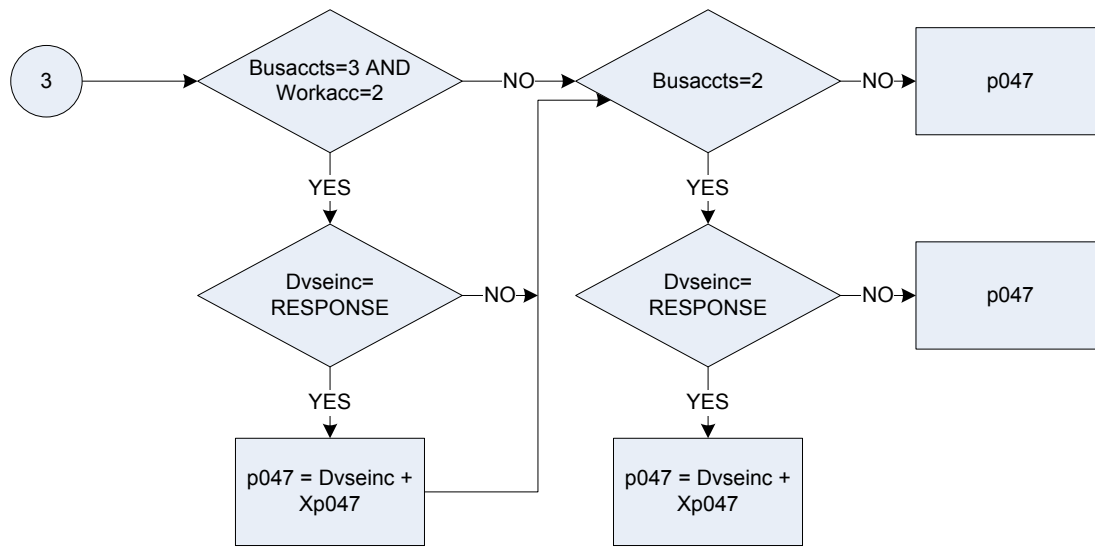
P047 – Main or only occupation: Self employed - amount of gross income



P047 – Main or only occupation: Self employed - amount of gross income



P047 – Main or only occupation: Self employed - amount of gross income

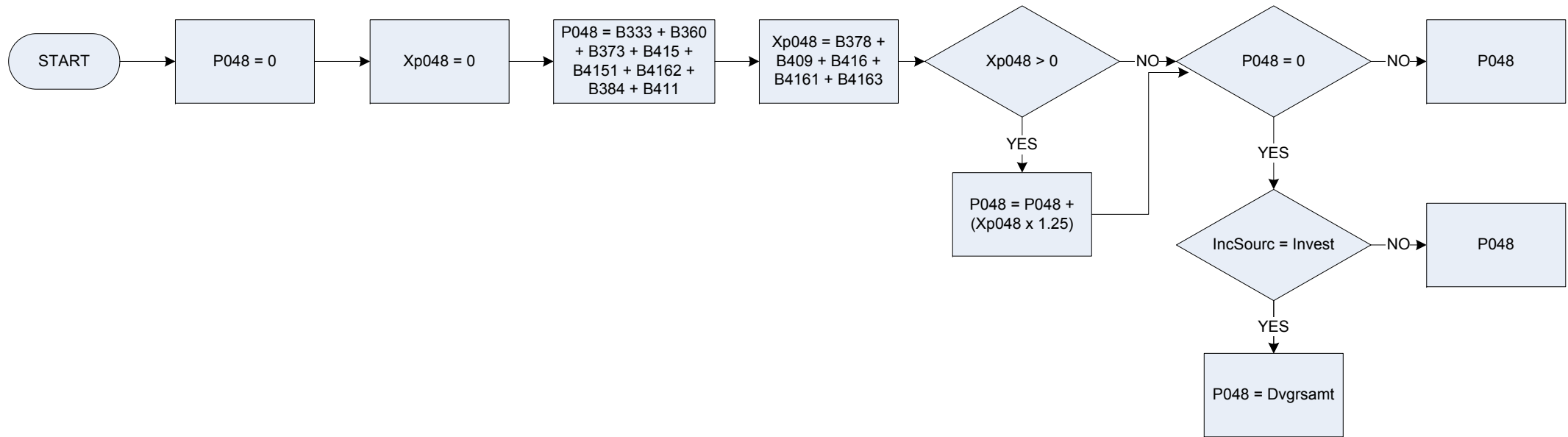


P047 – Main or only occupation: Self employed - amount of gross income

KEY

A200	Employment status 0 <i>Not recorded</i> 1 <i>Employee</i> 2 <i>Self-employed or employer</i> 3 <i>Out of employment seeking work within last 4 weeks & available to start a job</i> 4 <i>Out of employment waiting to start a job already obtained</i> 5 <i>Sick or injured</i> 6 <i>Retired including Job Release Scheme</i> 7 <i>Unoccupied</i>
Busacct	In job/business were annual business accounts prepared for HMRC for tax purposes? 1 <i>Yes</i> 2 <i>No</i> 3 <i>Not yet, but will be</i>
Checktax	Was either income tax, or regular National Insurance contribution deducted at source? 1 <i>Income tax deducted</i> 2 <i>Regular NI deducted</i> 3 <i>No, neither deducted</i>
Chkincom	Self-Employment: Was respondent's average income of [amount] before or after tax or national insurance was deducted? 1 <i>Before</i> 2 <i>After</i>
DvNID	Derived from NIDAmt to give a weekly amount – (NIDAmt – Self-employment: How much National Insurance was deducted last time?)
Dvownamt	Derived from OwnAmt to give a weekly amount - (OwnAmt - Thinking of the last 12 months, on average how much did you take each month for these non-business purposes?)
Dvownot	Derived from OwnOtAmt to give a weekly amount– (OwnOtAmt - On average, how much is that each month?)
Dvprbef	Derived from PrBefore to give a weekly amount - (PrBefore - What was (the respondent's share of) the profit before tax?)
DvProf	Derived from Profit2 to give a weekly amount – (Profit2 - Profit/loss amount)
Dvseinc	Derived from Selnc to give a weekly amount - (Selnc - On average, what is the respondent's weekly or monthly income from this job/business over the last 12 months (after paying for any materials, equipment or goods that the respondent use(d) in their work?)
Dvtaxd	Derived from TaxDAmt to give a weekly amount - (TaxDAmt -How much Income tax was deducted last time?)
Ownsum	Is money drawn from work account for any non-business purposes? 1 <i>Yes</i> 2 <i>No</i>
Profit1	What was the profit/loss amount?
Profit2	Does Profit1 refer to profit or loss? 1 <i>Profit</i> 2 <i>Loss</i>
Proftax	Is the figure before deduction of income tax? 1 <i>Before tax</i> 2 <i>After tax</i>
Workacc	Is there a separate bank or building society accounts for work and private finances? 1 <i>Yes</i> 2 <i>No</i>
Xp047	Temporary variable used in calculations – Main or only occupation: Self employed – amount of gross income. This temporary variable is used to calculate and store the total amount of Income tax and National Insurance paid by the respondent; this is used later in the routing.

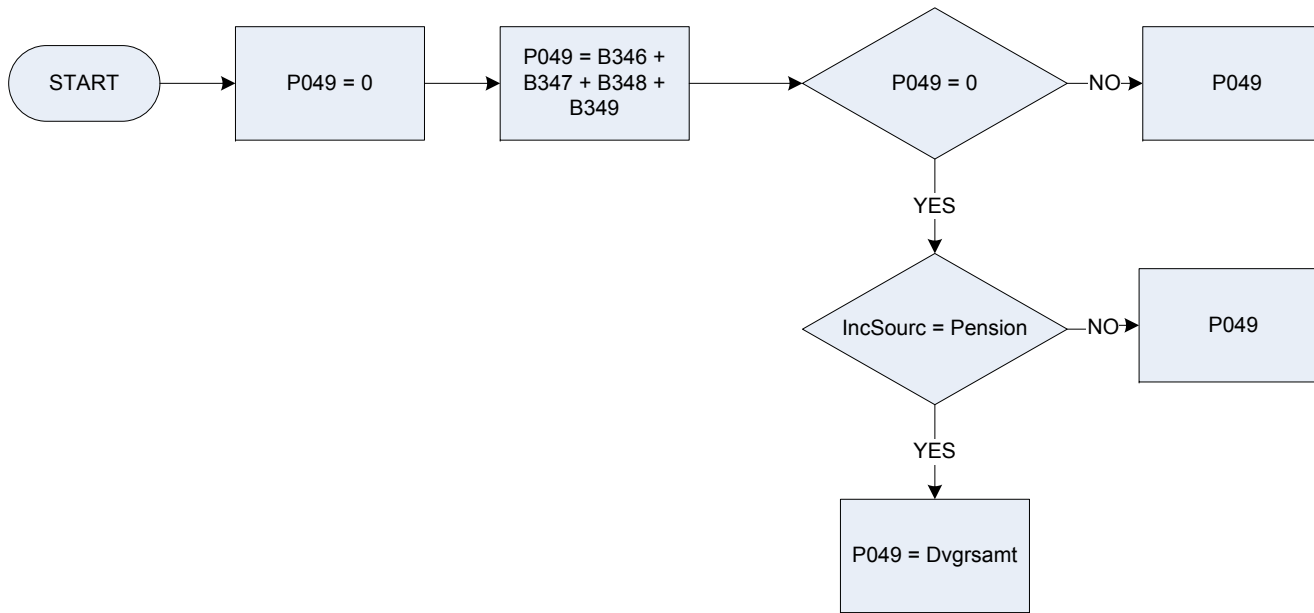
P048 – Income from investments



KEY

B333	National savings investment account - interest received
B360	Rent from property - amount received
B373	Nat savings ordinary account - interest received
B378	Stocks / shares etc - interest / dividends after tax
B384	Other unearned income - amount received
B409	Gilt-edged stock and war loan – interest
B411	ISA interest received
B415	Interest received – Other account before tax
B416	Interest received – Other savings account after tax
B4151	Interest received – Current account before tax
B4161	Interest received – Current account after tax
B4162	Interest received – Bank / Building Society before tax
B4163	Interest received – Bank / Building Society after tax
Dvgrsamt	Derived from GrosAmt to give a weekly average (GrosAmt- GROSS earnings before any deductions from either employment, self employment, investments, pensions/ annuities, benefits or other source(s))
IncSourc	Source of income
Wages	“Wages or salary”
SelfEmp	“Self employed”
Invest	“Investments”
Pension	“Pensions and annuities”
SSBens	“Social Security benefits”
Other	
Xp048	Temporary variable - Income from B378, B409, B416, B4161 and B4163.

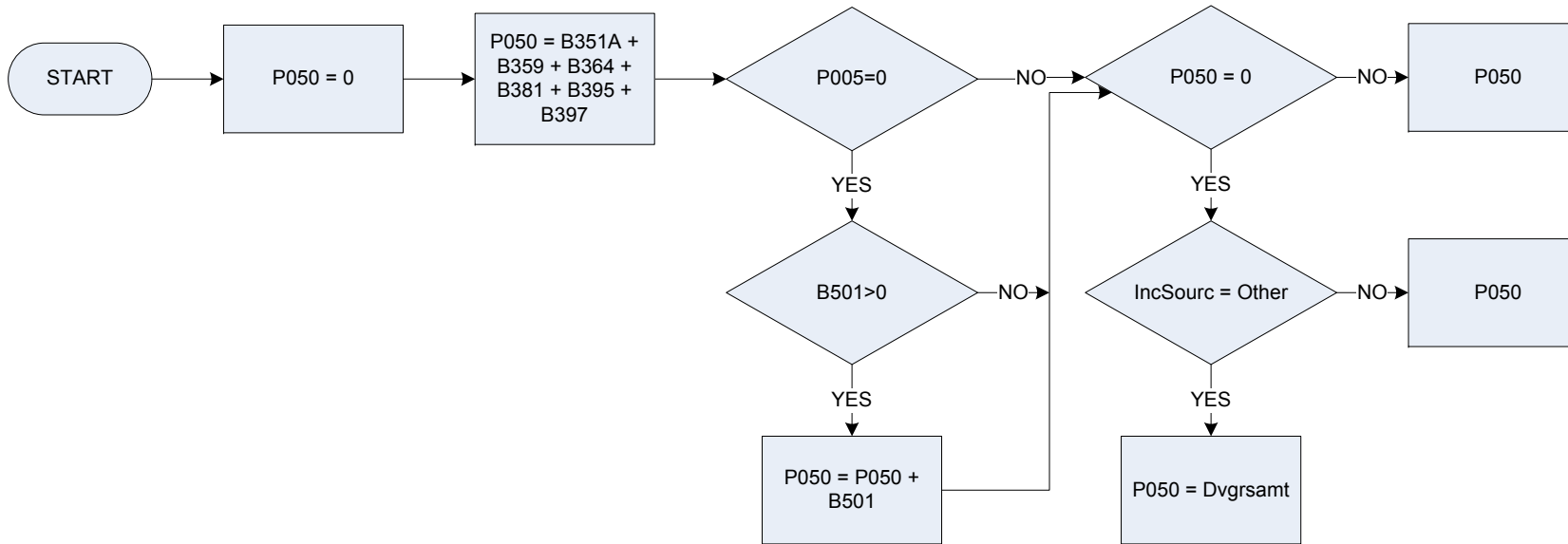
P049 – Income from pensions, annuities



KEY

- B346** Annuity / trust / covenant - last net payment
B347 Annuity / trust / covenant - amount tax deducted
B348 Pension (public / private) last net payment
B349 Pension (public / private) amount tax deducted
Dvgrsamt Derived from GrosAmt to give a weekly average (GrosAmt- GROSS earnings before any deductions from either employment, self employment, investments, pensions/ annuities, benefits or other source(s))
IncSourc Source of income
- Wages** "Wages or salary"
 - SelfEmp** "Self employed"
 - Invest** "Investments"
 - Pension** "Pensions and annuities"
 - SSBens** "Social Security benefits"
 - Other**

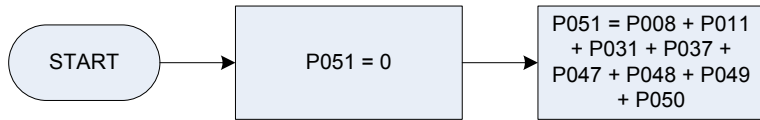
P050 – Income from other sources



KEY

B351a	Regular allowances from outside hhold received at present
B359	Education grant - amount received in cash
B364	Student top-up loan
B381	Income from odd jobs – amount
B395	Child's investment income - amount received
B397	Child's job/other income - amount received
P005	Gross wage, salary last time paid" (main -13 weeks)
B501	Private benefits - amount received at present
Dvgrsamt	Derived from GrosAmt to give a weekly average (GrosAmt- GROSS earnings before any deductions from either employment, self employment, investments, pensions/ annuities, benefits or other source(s))
IncSourc	Source of income
Wages	"Wages or salary"
SelfEmp	"Self employed"
Invest	"Investments"
Pension	"Pensions and annuities"
SSBens	"Social Security benefits"
Other	

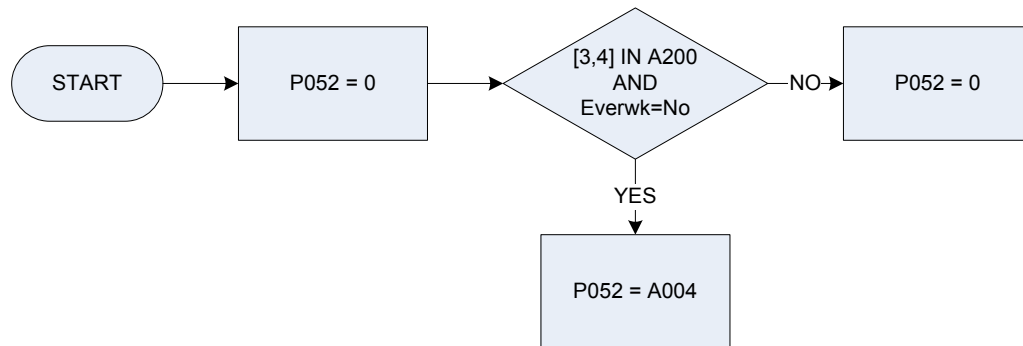
P051 – Total personal gross income (normal)



KEY

- P008** Normal gross wage, salary (13 week rule sub)
- P011** Gross wage – last time paid – (13 week rule)
- P031** Social security benefits included in income calcs
- P037** Income from subsidiary self-employment
- P047** Income from self-employment (main)
- P048** Income from investments
- P049** Income from pensions, annuities
- P050** Income from other sources

P052 – Person seeking work, not employed before



KEY

A004

Sex

- 1 Male
- 2 Female

A200

Employment status

- 0 Not recorded
- 1 Employee
- 2 Self-employed or employer
- 3 Out of employment, seeking work within last 4 weeks & available to start a job
- 4 Out of employment, waiting to start a job already obtained
- 5 Sick or injured
- 6 Retired including Job Release Scheme
- 7 Unoccupied

Everwk

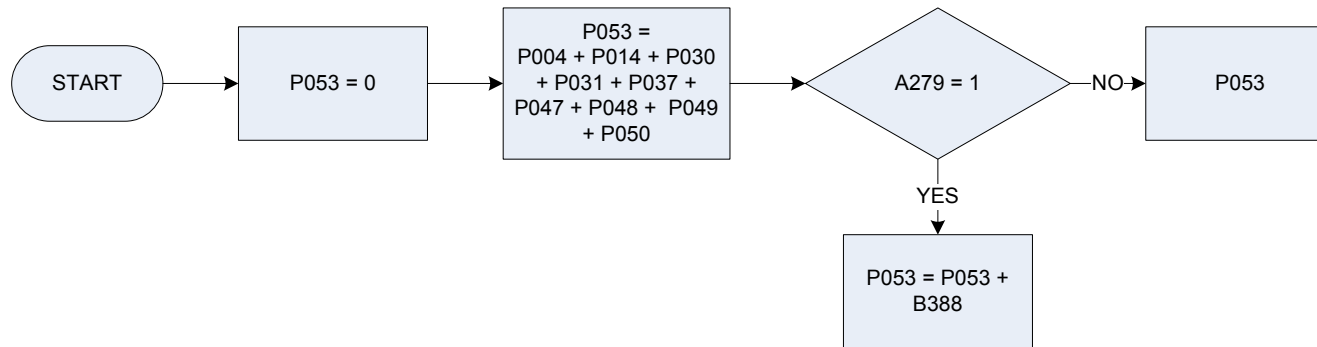
Work: Has the respondent ever had a paid job, apart from casual or holiday work?

P052

Person seeking work, not employed before

- 0 Not recorded
- 1 Male
- 2 Female

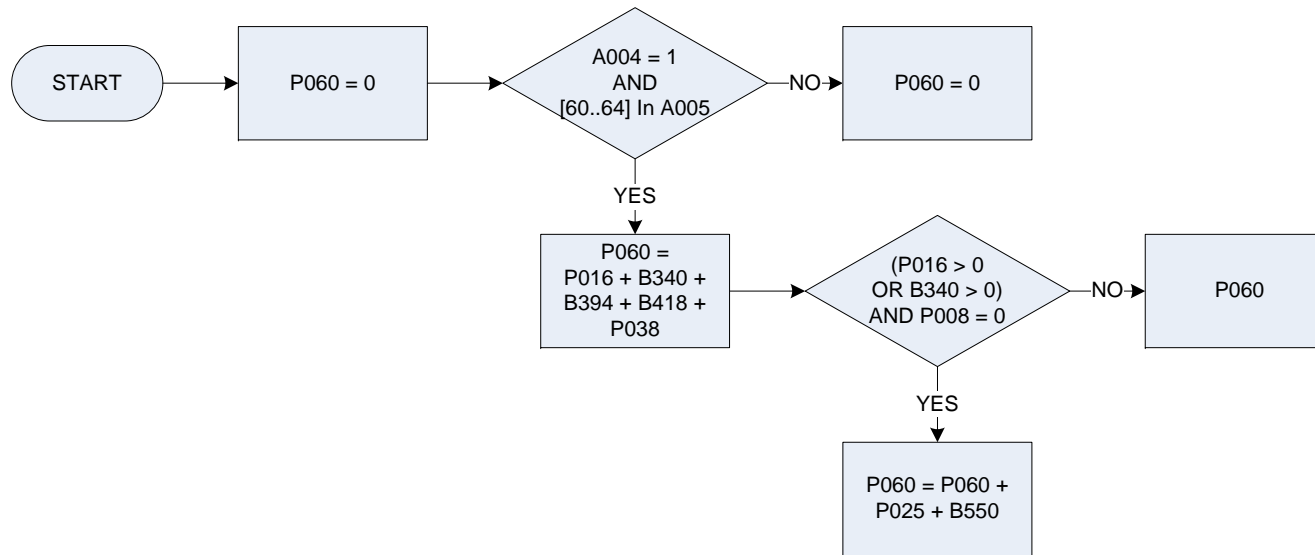
P053 – Total personal gross income (current)



KEY

- P004** Gross wage, salary last week, month (main)
- P014** Gross wage, salary last week, month (subsd)
- P030** Social security benefits excld income by 13 week rule
- P031** Social security benefits included in income calcs
- P037** Income from subsidiary self-employment
- P047** Income from self-employment (main)
- P048** Income from investments
- P049** Income from pensions, annuities
- P050** Income from other sources
- A279** Statutory sick pay - receiving at present
- B388** Statutory sick pay - imputed gross amount

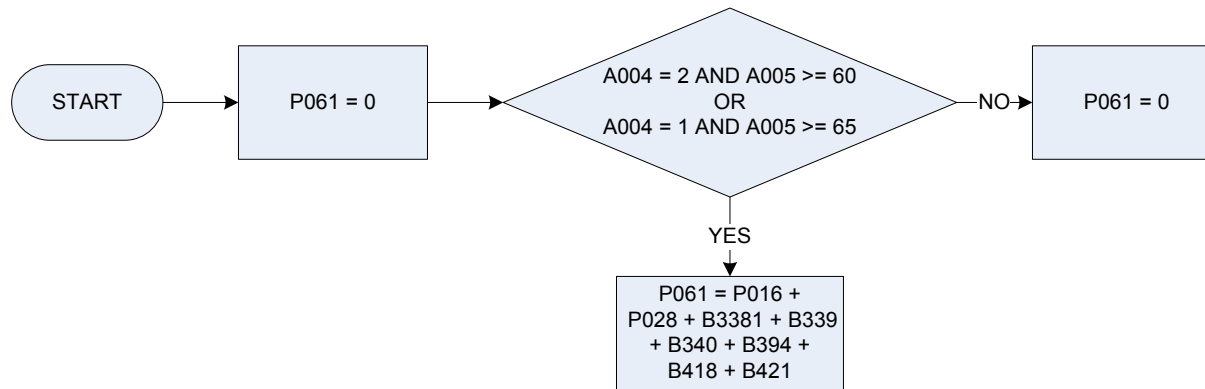
P060 – Pensioner income – male, age 60 – 64



KEY

A004	Sex
1	Male
2	Female
A005	Age
B340	War disability widows pension - amount received
B394	Xmas bonus - amount received
B418	Severe disablement benefit - last received – amount
B550	Universal Credit – amount received
P008	Normal gross wage, salary (13 week rule)
P016	Industrial injury disablement benefit – current
P025	Income support amount received
P038	Pension credit amt received- current

P061 – Pensioner Income – disregarding 13 week rule

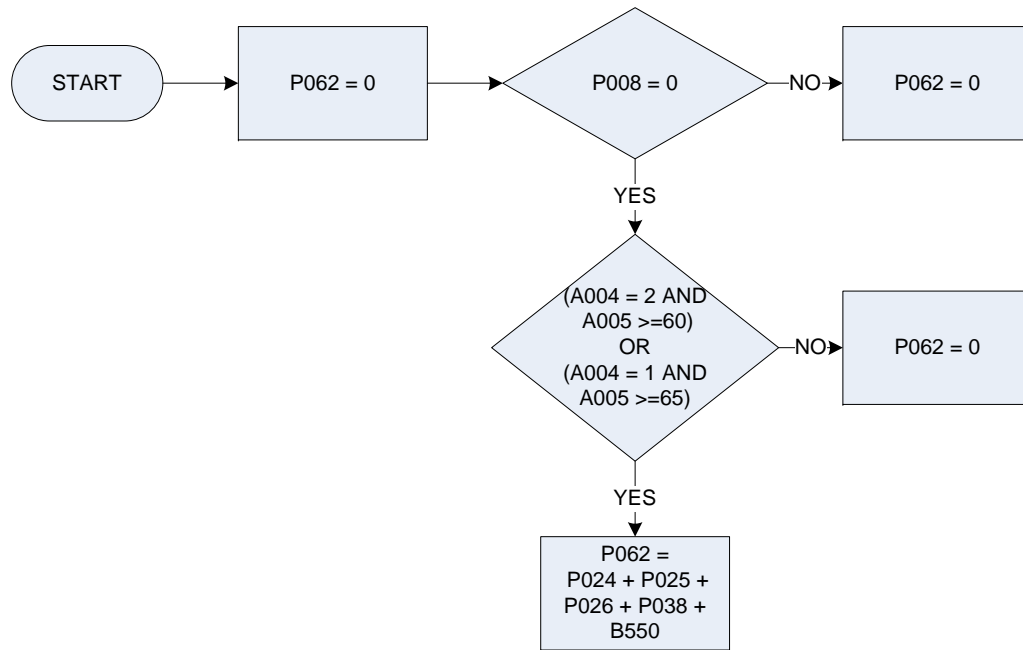


KEY

A004 Sex
 1 Male
 2 Female

A005 Age
P016 Industrial injury disablement benefit – current
P028 Social security benefits concurrent with earnings
B339 NI widows benefit - amount of last payment
B340 War disability | widows pension - amount received
B394 Christmas bonus - amount received
B418 Severe disablement benefit - last received – amount
B421 Attendance allowance last amount received
B3881 Retirement Pension - Usual amount received

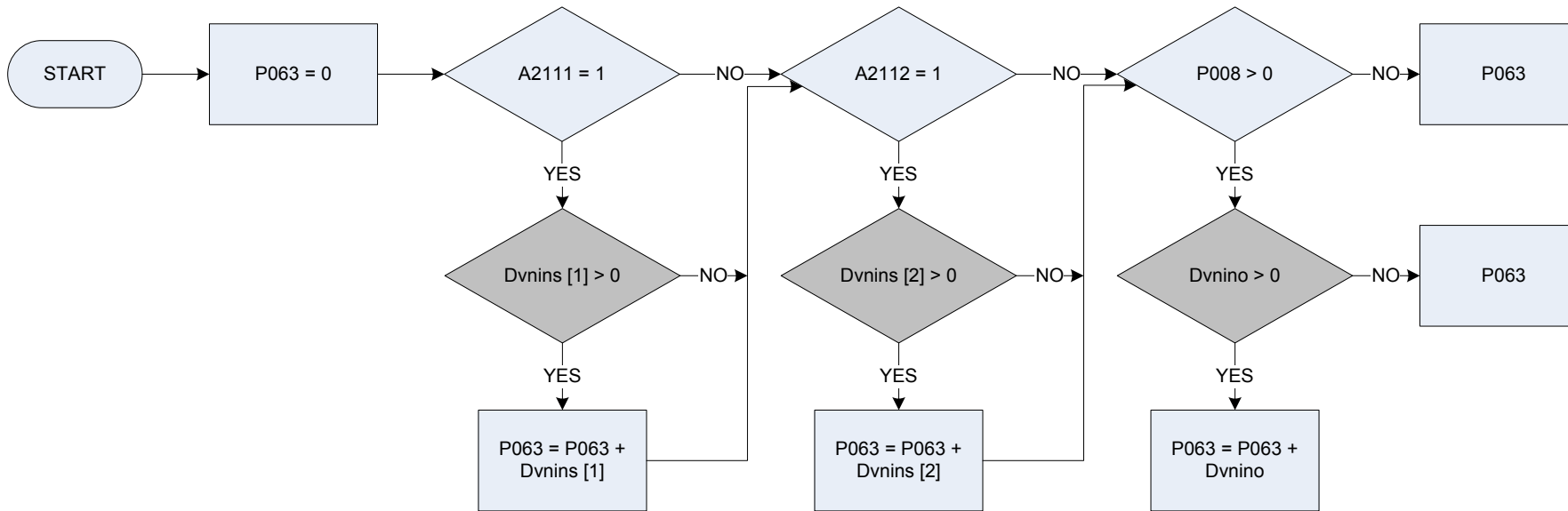
P062 – Pensioner income - applying 13 week rule



KEY

A004	Sex
	1 <i>Male</i>
	2 <i>Female</i>
A005	Age
B550	Universal Credit – amount received
P008	Normal gross wage, salary (13 week rule)
P024	Job Seekers Allowance – current
P025	Income support amount received
P026	Incapacity benefit - amount received at present
P038	Pension credit amt received- current

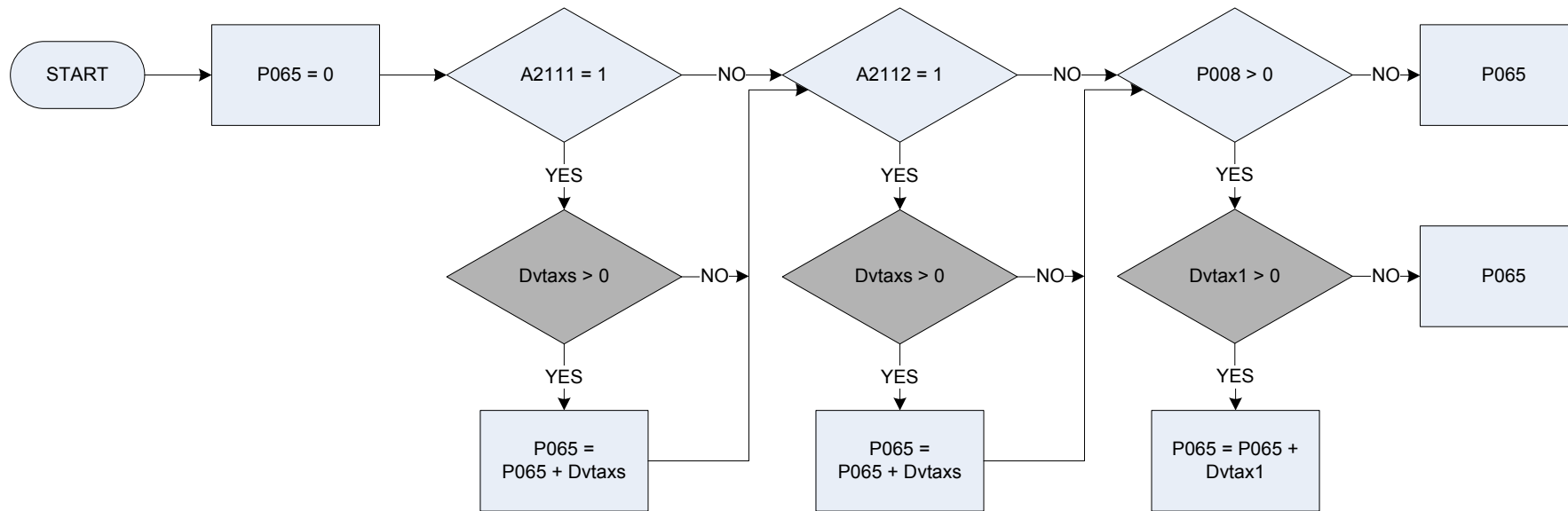
P063 – NI employees contribution, 13 week rule



KEY

- A2111** First subsidiary job - employment: paid in last 13 weeks
- A2112** Second subsidiary job - employment: paid in last 13 weeks
- Dvnino** Derived from PyNINO - Pay: How much was deducted as a National Insurance Contribution?
- Dvnins** Derived from SJbNINO - Subsidiary Job: How much was deducted as National Insurance Contribution?
- P008** Normal gross wage, salary (13 week rule)

P065 – Take home pay - last time paid (main)



KEY

A2111

First subsidiary job - employment: paid in last 13 wks

0 Not recorded

1 Yes

A2112

Second subsidiary job - employment: paid in last 13 wks

0 Not recorded

1 Yes

Dvtax1

Derived from PyTax - How much was deducted from the respondents wage/salary for income tax under PAYE

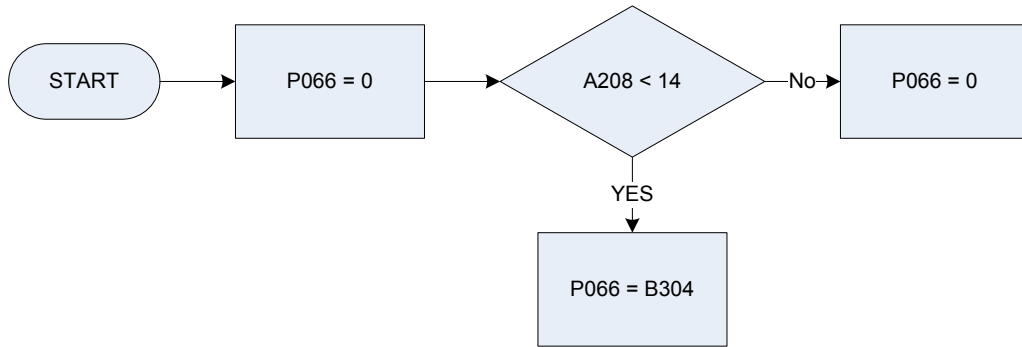
Dvtaxs

Derived from SJobTax - Subsidiary Job: How much was deducted from your wage/salary for income tax under PAYE?

P008

Normal gross wage, salary (13 week rule)

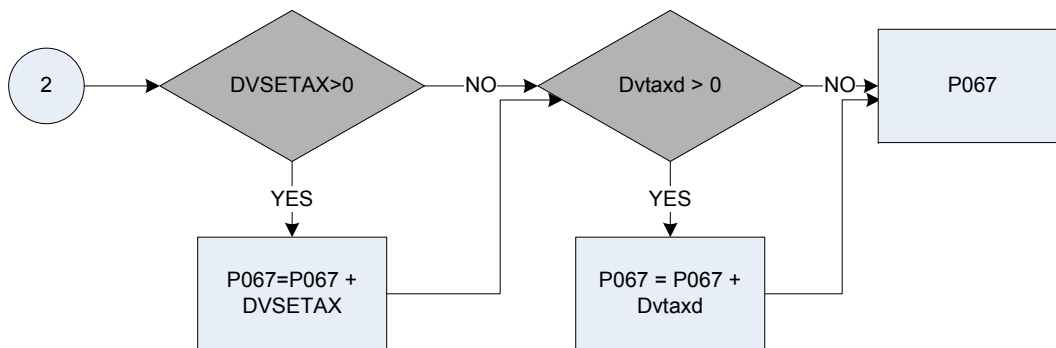
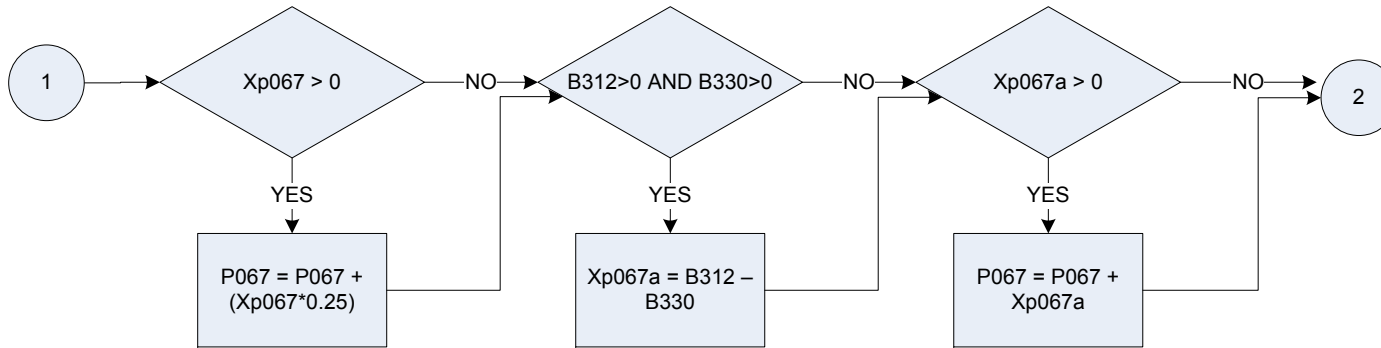
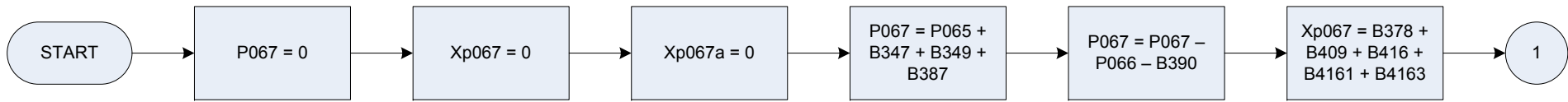
P066 - Paye tax refund, 13 week rule



KEY

A208 Number of weeks away from work
B304 Income tax refund in last pay - amount

P067 – Income tax, payments less refunds (13 week rule)



KEY

B312	Bonus earnings - gross amount
B330	Bonus earnings - net amount
B347	Annuity / trust / covenant - amount tax deducted
B349	Pension (public / private) amount tax deducted
B378	Stocks / shares etc - interest / dividends after tax
B387	Income tax paid direct – amount
B390	Income tax refund received – amount
B409	Gilt-edged stock and war loan – interest
B416	Interest received – Other savings account after tax
B4161	Interest received – Current account after tax
B4163	Interest received – Bank / Building Society after tax
Dvsetax	Derived from SeTaxAmt to give a weekly amount - (SeTaxAmt – Self Employment: How much did you pay altogether in the last 12 months?)
Dvtaxd	Derived from TaxDAmt to give a weekly amount – (TaxDAmt – Self Employment: How much income tax was deducted last time?)
P065	PAYE tax deduction (13 week rule)
P066	PAYE tax refund (13 week rule)
Xp067	Temporary variable used in calculations – calculates interest received after tax on stock/shares, gilt-edged stock and war loans and from bank/building societies
Xp067a	Temporary variable used in calculations – calculates tax paid on bonus earnings

P068 – Tax deducted from pensions, investments, annuities

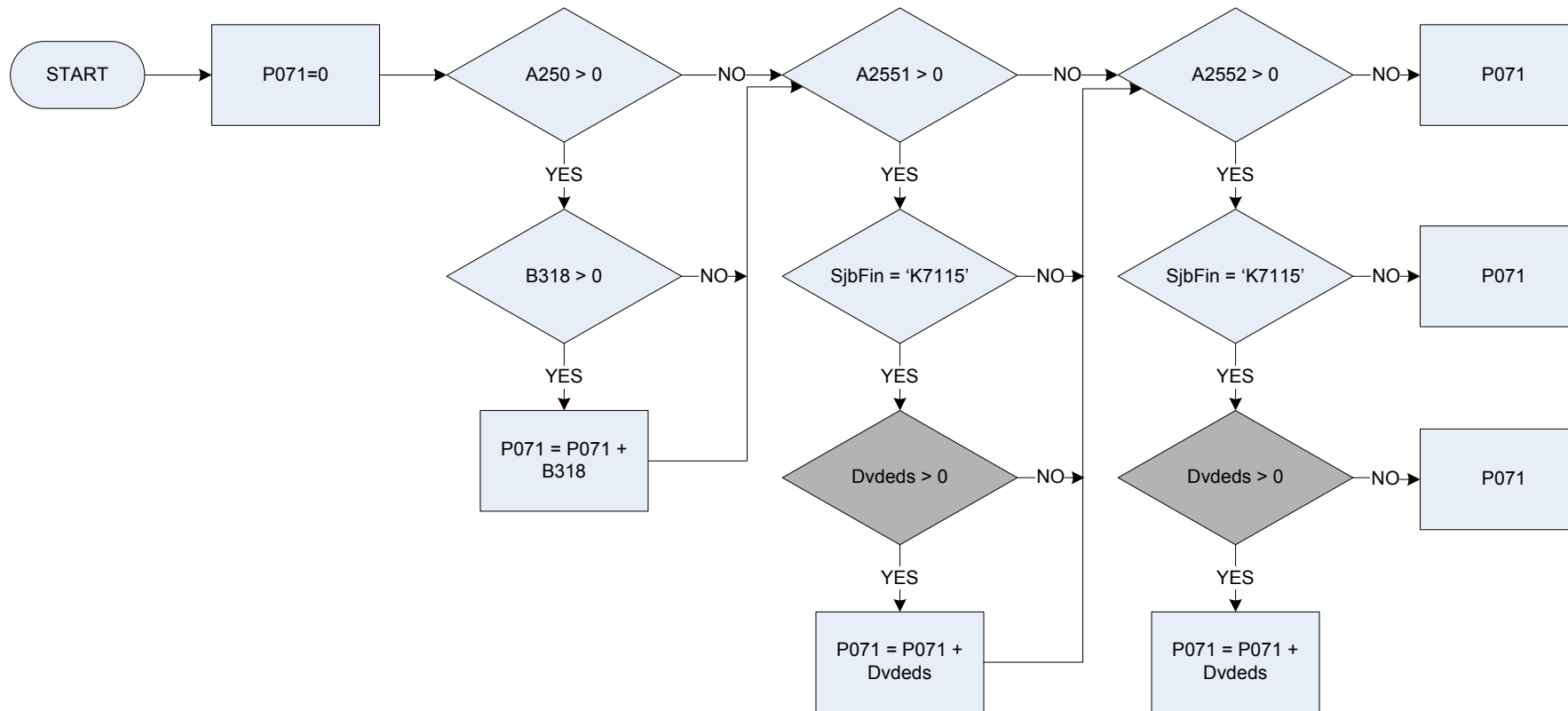
START

$$P068 = B347 + B349 + ((B378 + B416 + B4161 + B4163 + B409) * 0.25)$$

KEY

B347	Annuity/trust/covenant – amount tax deducted
B349	Pension (public/private) amount tax deducted
B378	Stocks/shares etc – interest/dividends after tax
B409	Gilt-edged stock and war loan - interest
B416	Interest received – Other savings account after tax
B4161	Interest received – Current account after tax
B4163	Interest received – Bank / Building Society after tax

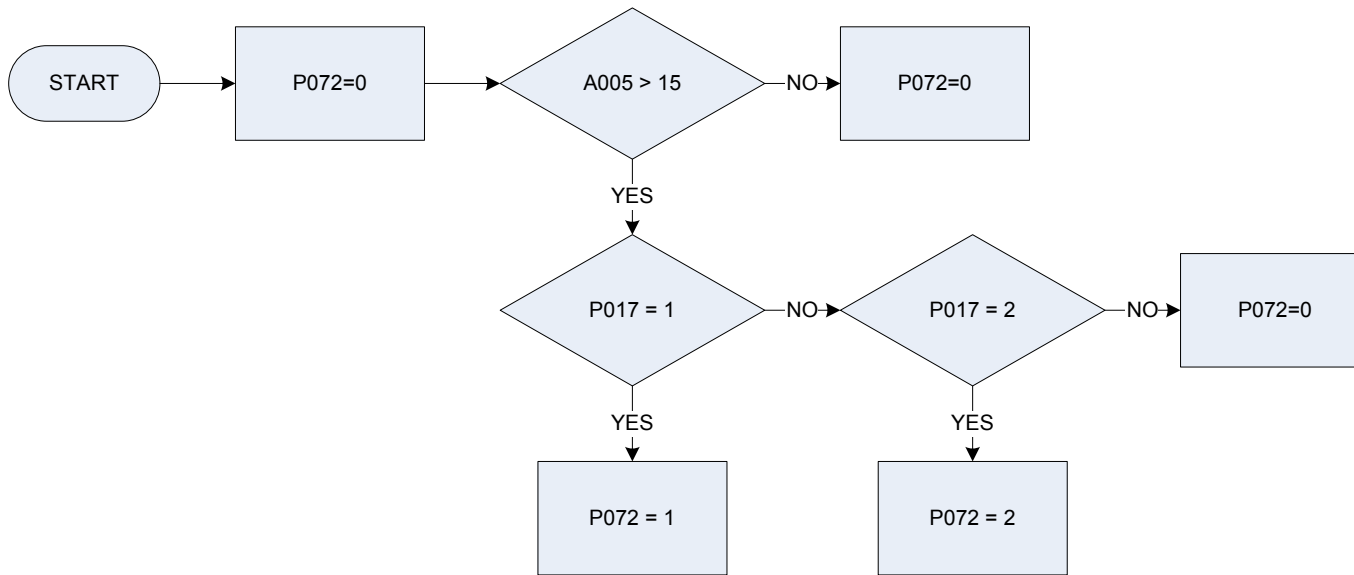
P071 – Pension & superannuation contributions - current



KEY

A250	Main job – last pay was received in specified time period 0 Not recorded 1 Received
A2551	First subsidiary job - employee: last pay was received in specified time period 0 Not recorded 1 Received
A2552	Second subsidiary job - employee: last pay was received in specified time period 0 Not recorded 1 Received
B318	Deductions from pay for superannuation – amount
Dvdeds	Derived from SjbDAmt to give a weekly amount – (SjbDAmt – Subsidiary Job: How much was deducted for this deduction?)
SjbFin	Subsidiary Job: Expenditure code

P072 – Single person aged 16 or 17

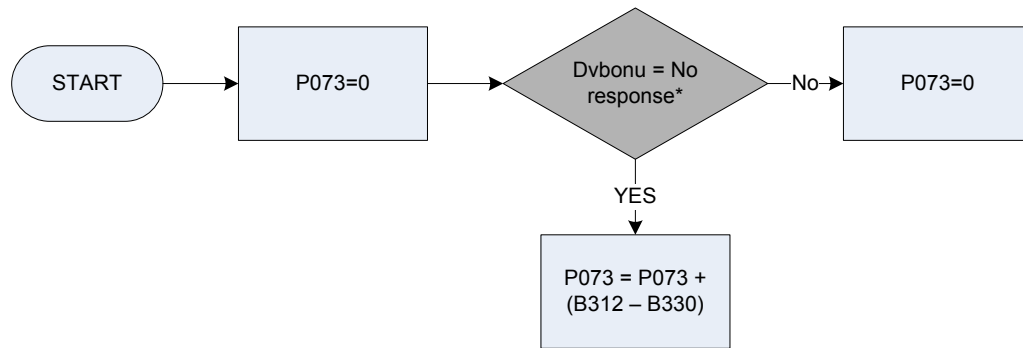


KEY

A005 Age
P017 Child aged under 18
 0 Not recorded
 1 Male child under 18
 2 Female child under 18

P072 Single person aged 16 or 17
 0 Not recorded
 1 Male;single: 16-17
 2 Female;single: 16-17

P073 – Tax paid on bonuses



KEY

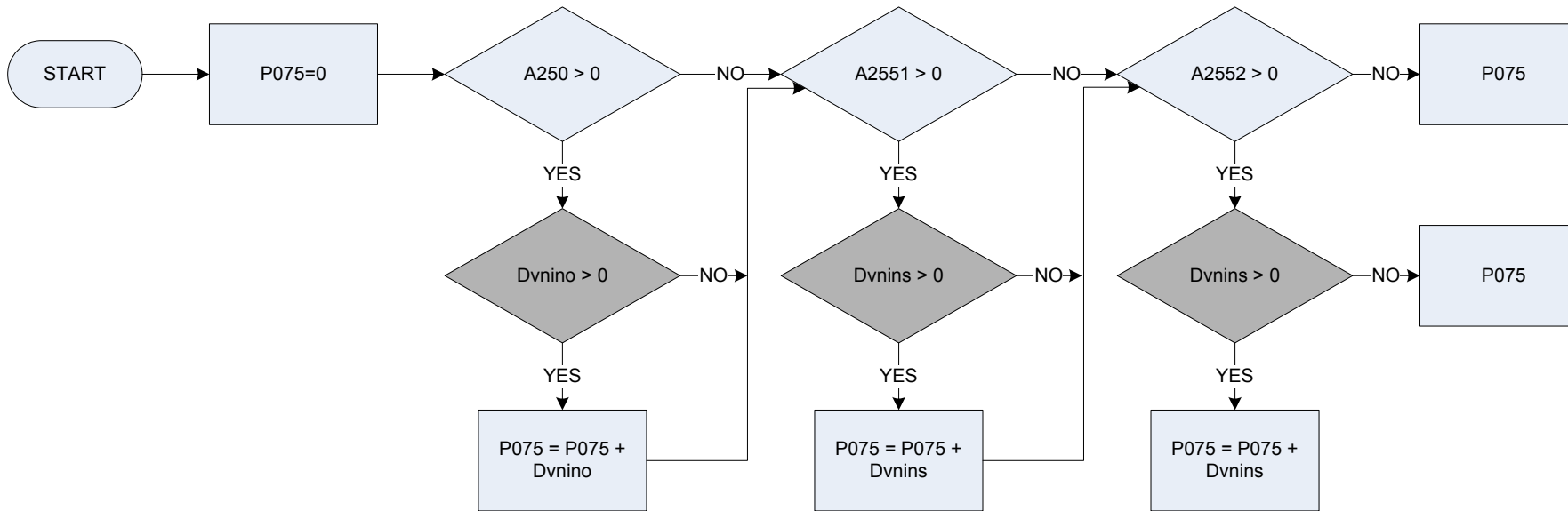
* 'No response' indicates that the respondent was not routed to the question or the respondent did not answer

B312 Bonus earnings – gross amount

B330 Bonus earnings net amount

Dvbonu Derived from BonUPAmt to give a weekly amount – *(BonUPAmt- Pay: How much bonus/commission is included?)*

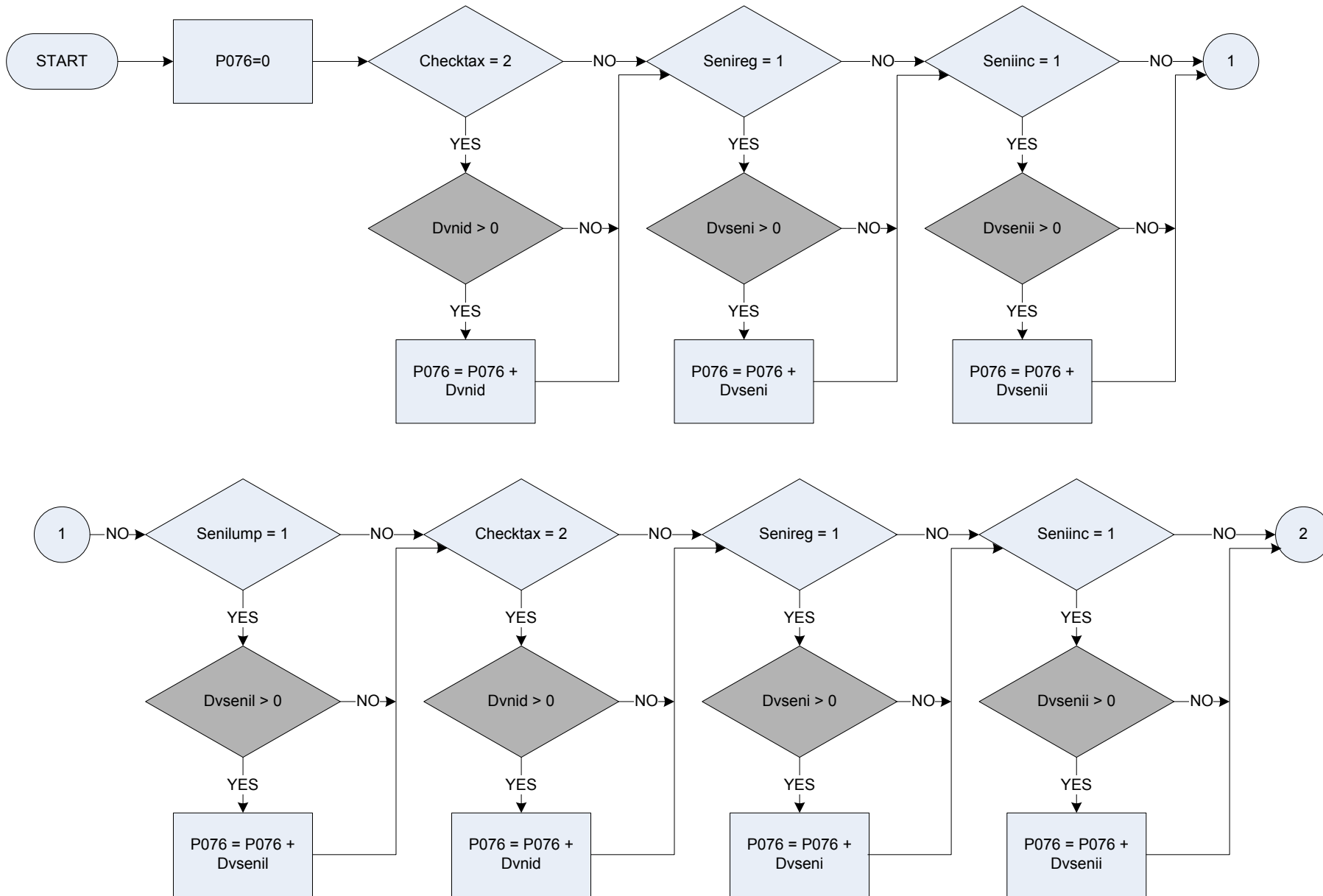
P075 – NI employees contribution - current



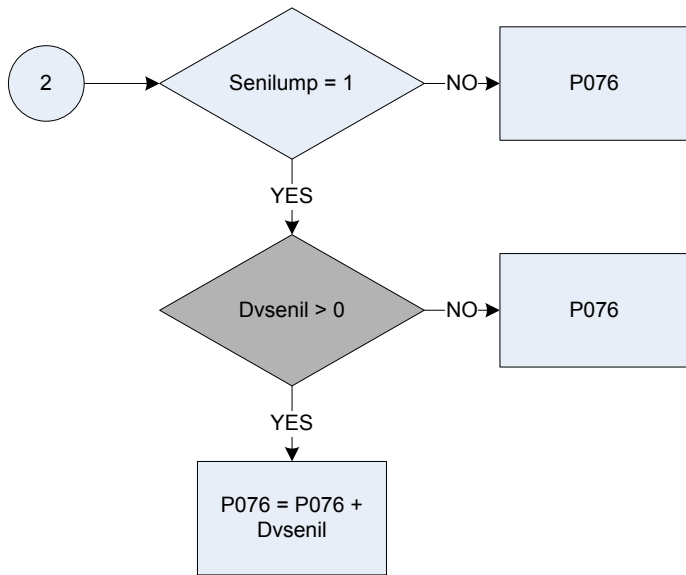
KEY

A250	Main job – last pay was received in specified time period 0 Not recorded 1 Received
A2551	First subsidiary job – employee: last pay was received in specified time period 0 Not recorded 1 Received
A2552	Second subsidiary job – employee: last pay was received in specified time period 0 Not recorded 1 Received
Dv<sub>no</sub>	Derived from PyNINO to give a weekly amount – (PyNINO -Pay: How much was deducted as a National Insurance Contribution?)
Dv<sub>nins</sub>	Derived from SjbNINO to give a weekly amount – (SjbNINO – Subsidiary Job: How much was deducted as National Insurance Contribution?)

P076 – S/E NI contributions paid last 12 months



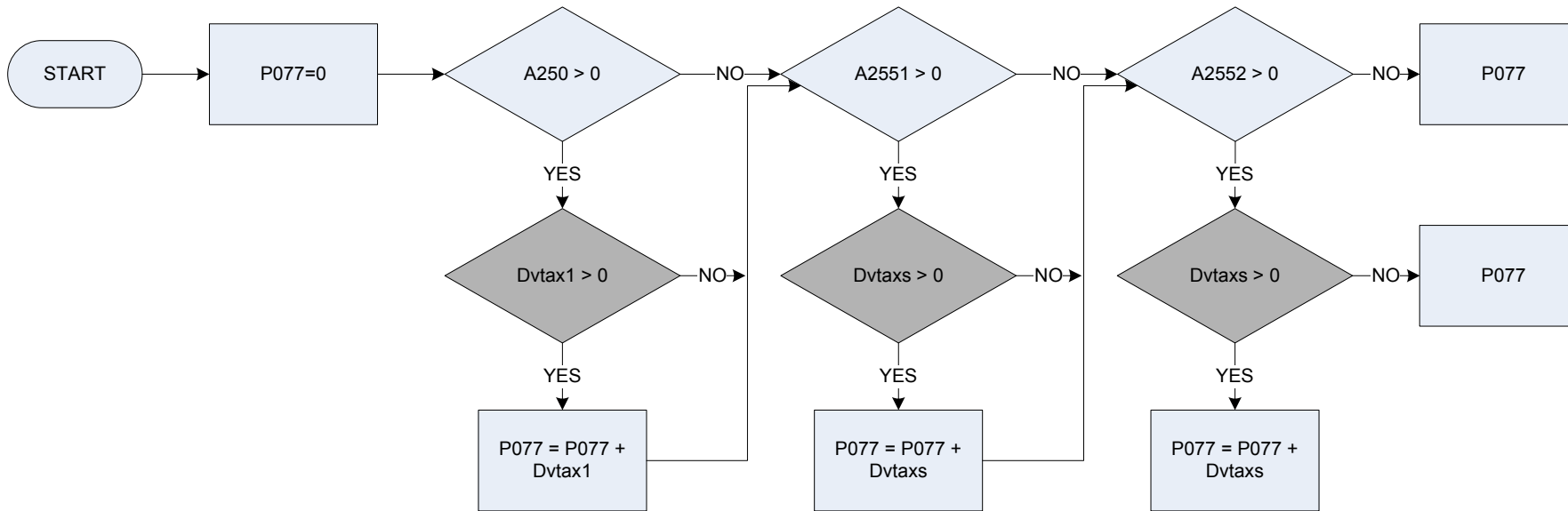
P076 – S/E NI contributions paid last 12 months



KEY

Checktax	Was either income tax, or your regular National Insurance contribution DEDUCTED AT SOURCE? 1 <i>Income tax deducted</i> 2 <i>Regular NI deducted</i> 3 <i>No, neither deducted</i>
Dvnid	Derived from NIDAmt to give a weekly amount – (NIDAmt – Self Employment: How much National Insurance was deducted last time?)
Dvseni	Derived from SeNIRAmt to give a weekly amount – (SeNIRAmt – Self Employment: How much was your last National Insurance payment?)
Dvsenii	Derived from SeNIIAmt to give a weekly amount – (SeNIIAmt – Self Employment: How much was the National insurance lump sum payment?)
Dvsenil	Derived from SeNILAmt to give a weekly amount – (SeNILAmt – Self Employment: What was your total lump sum payment in the last 12 months?)
Senireg	Do you pay a regular National Insurance contribution in connection with this job? 1 <i>Yes</i> 2 <i>No</i>
Seniinc	Does that figure include a LUMP SUM (Class 4) National Insurance contribution based on taxable profits? 1 <i>Yes</i> 2 <i>No</i>
Senilump	In the last 12 months have you paid any lump sum NI contributions based on taxable profits? 1 <i>Yes</i> 2 <i>No</i>
SeNIRAmt	Self-Employment: How much was your last National Insurance payment?

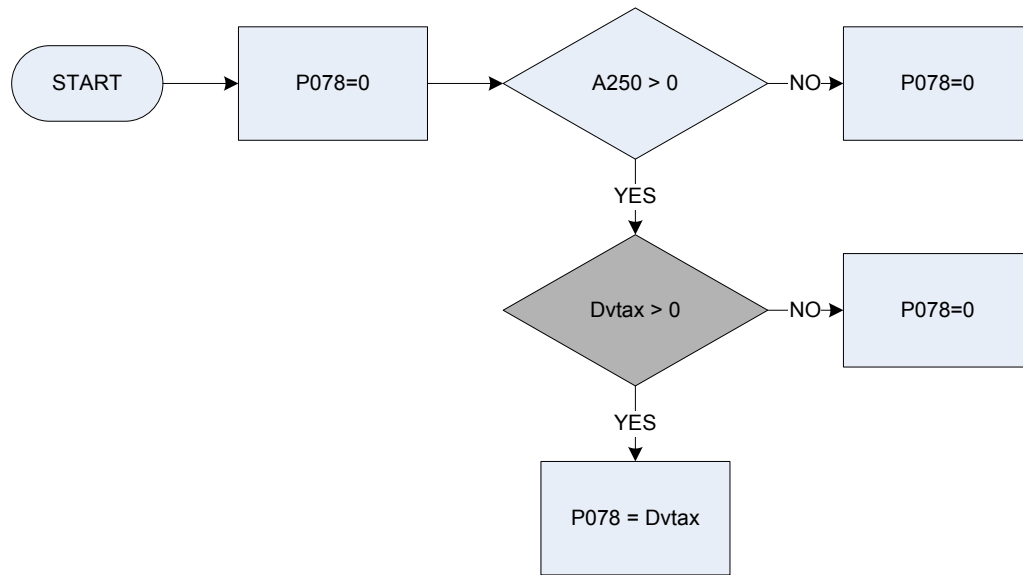
P077 – Paye tax deduction - current



KEY

A250	Main job – last pay was received in specified time period 0 Not recorded 1 Received
A2551	First subsidiary job – employee: last pay was received in specified time period 0 Not recorded 1 Received
A2552	Second subsidiary job – employee: last pay was received in specified time period 0 Not recorded 1 Received
Dvtax1	Derived from PyTax to give a weekly amount – (PyTax - Pay: How much was deducted from the respondent's wage/salary for income tax under PAYE?)
Dvtaxs	Derived from SJbTax to give a weekly amount – (SJbTax -Subsidiary Job: How much was deducted from the respondent's wage/salary for income tax under PAYE?)

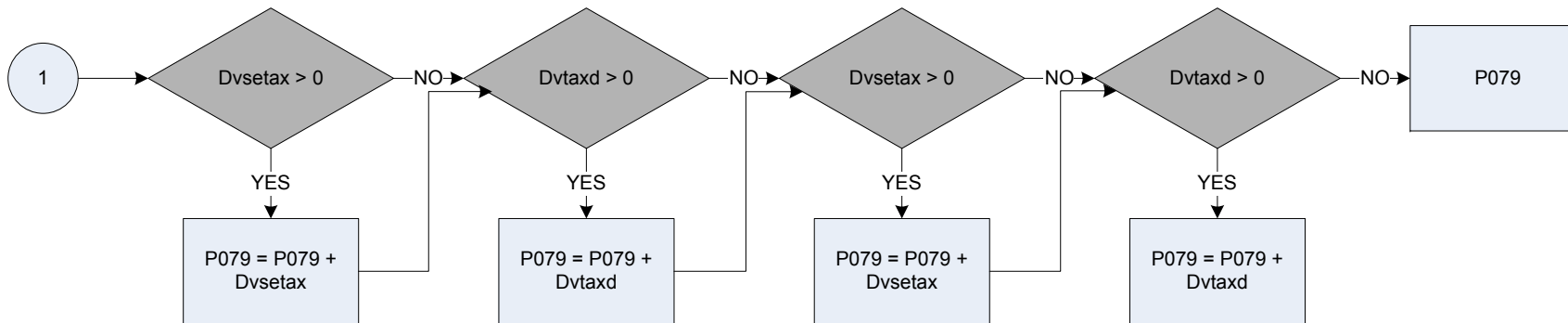
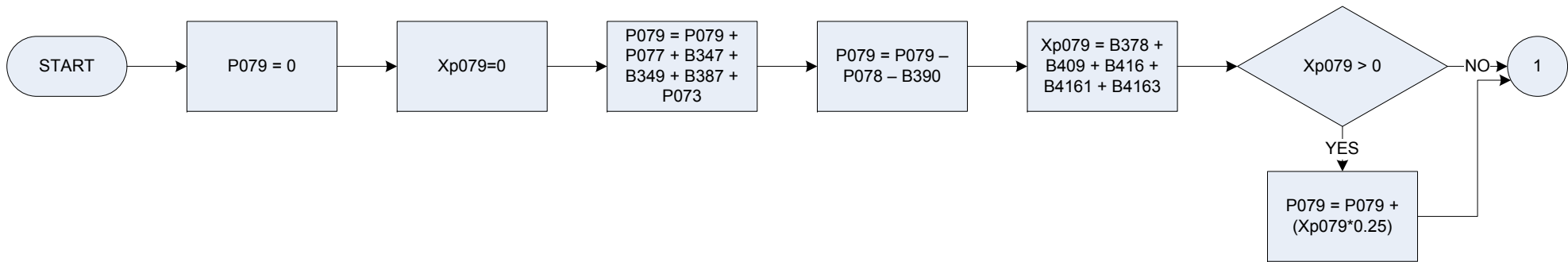
P078 – Paye tax refund - current



KEY

A250	Main job – last pay was received in specified time period
0	Not recorded
1	Received
Dvtax	Derived from Taxrefam to give a weekly amount – (Taxrefam – Pay: How much was the tax refund?)

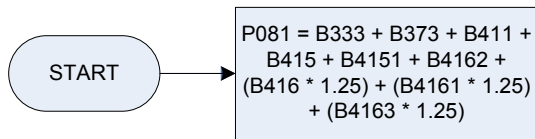
P079 – Income tax payments less refunds



KEY

B347	Annuity / trust / covenant - amount tax deducted
B349	Pension (public / private) amount tax deducted
B378	Stocks / shares etc - interest / dividends after tax
B387	Income tax paid direct - amount
B390	Income tax refund received - amount
B409	Gilt-edged stock and war loan - interest
B416	Interest received – Other savings account after tax
B4161	Interest received – Current account after tax
B4163	Interest received – Bank / Building Society after tax
Dvsetax	Derived from SeTaxAmt to give a weekly amount – <i>(SeTaxAmt – Self Employment: How much did you pay altogether in the last 12 months?)</i>
Dvtaxd	Derived from TaxDAmt to give a weekly amount – <i>(TaxDAmt – Self Employment: How much income tax was deducted last time?)</i>
P073	Tax paid on bonuses
P077	Paye tax deduction - current
P078	Paye tax refund - current
Xp079	Temporary variable

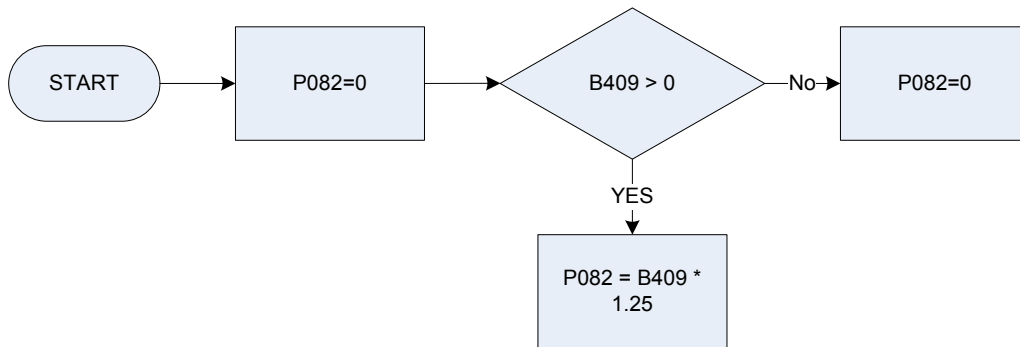
P081 - Interest & tax on bank, nat savings, TESSA, ISAs



KEY

B333	National savings investment account – interest received
B373	Nat savings ordinary account – interest received
B411	ISA interest received
B415	Interest received – Other account before tax
B416	Interest received – Other savings account after tax
B4151	Interest received – Current account before tax
B4161	Interest received – Current account after tax
B4162	Interest received – Bank / Building Society before tax
B4163	Interest received – Bank / Building Society after tax

P082 – Interest & tax on gilt-edge & war loans

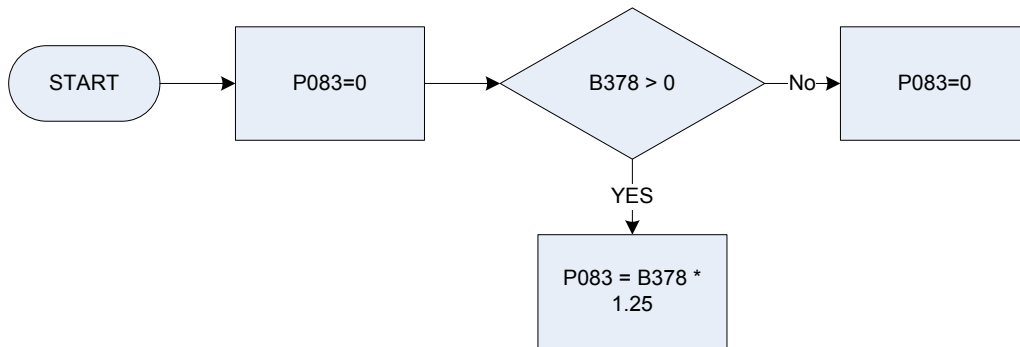


KEY

B409

Gilt-edged stock and war loan – interest

P083 – Interest & tax on stocks and shares etc

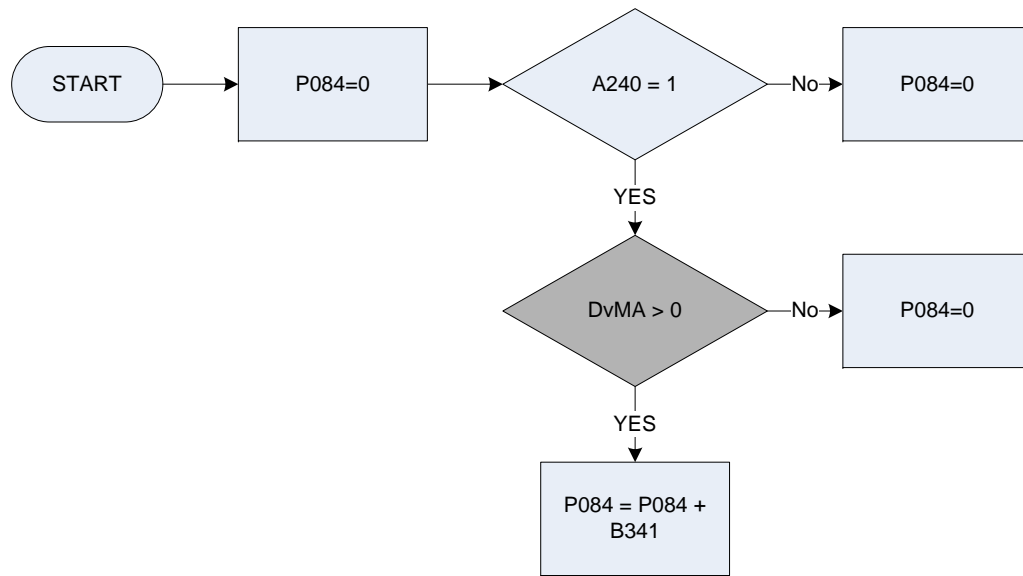


KEY

B378

Stocks/shares etc – interest/dividends after tax

P084 – Maternity allowance – amount currently received



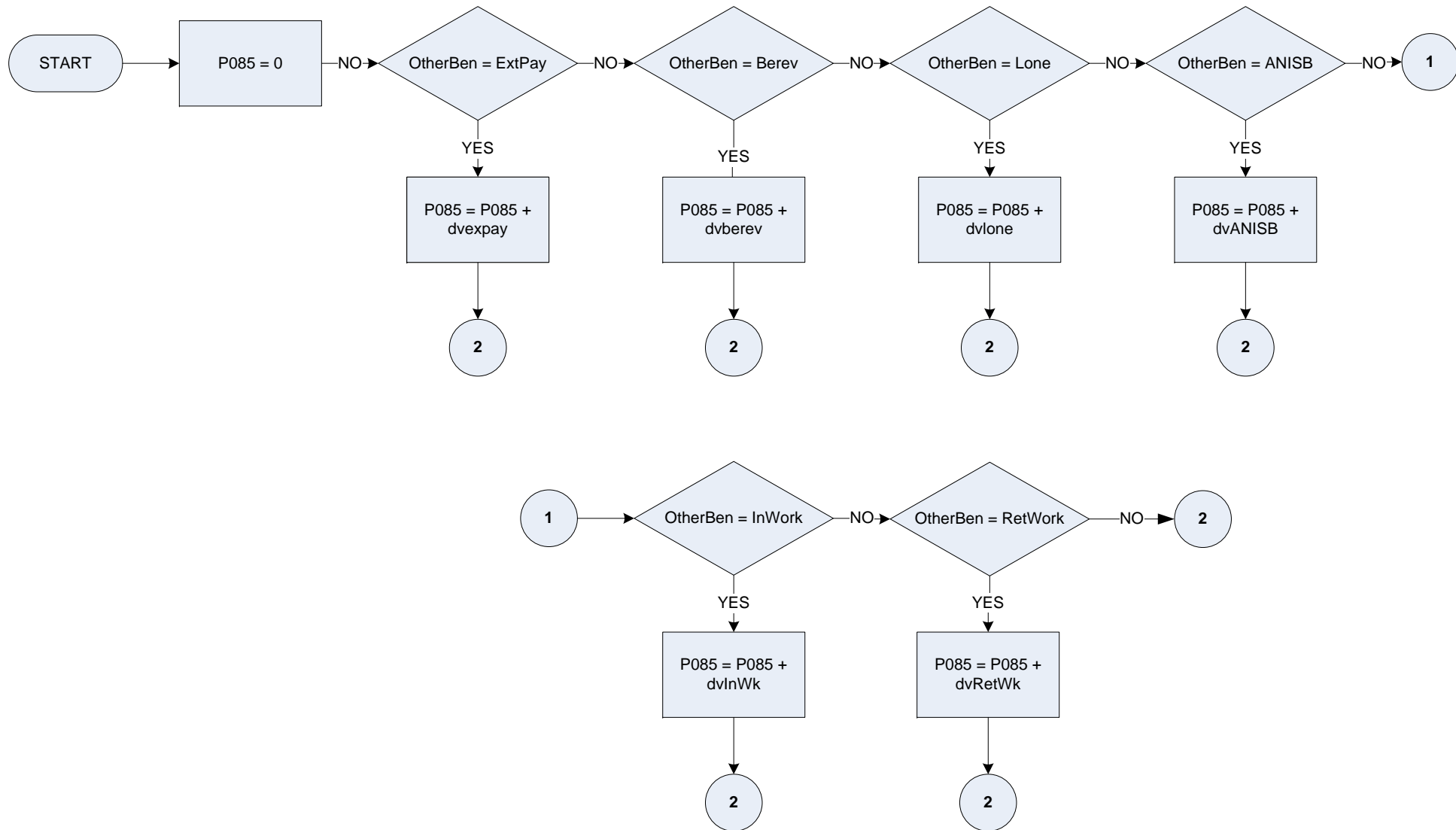
KEY

A240 Maternity allowance – receiving at present
0 Not receiving at present
1 Receiving at present

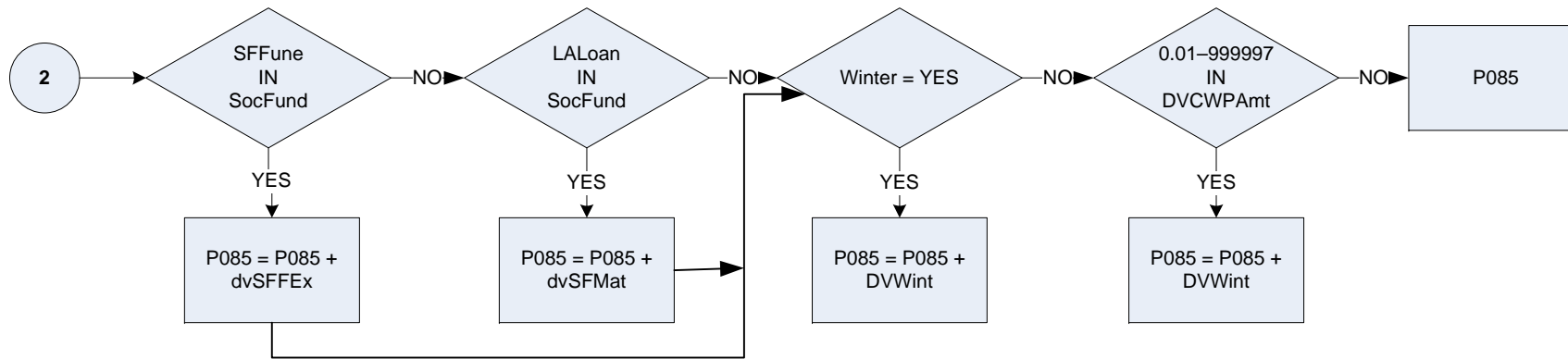
B341 Maternity allowance – amount received

DvMA Derived from response to Benamt to give a weekly amount for Maternity Allowance (*Benamt: How much did the respondent get last time for this benefit?*)

P085 – Any other benefit – amount currently received



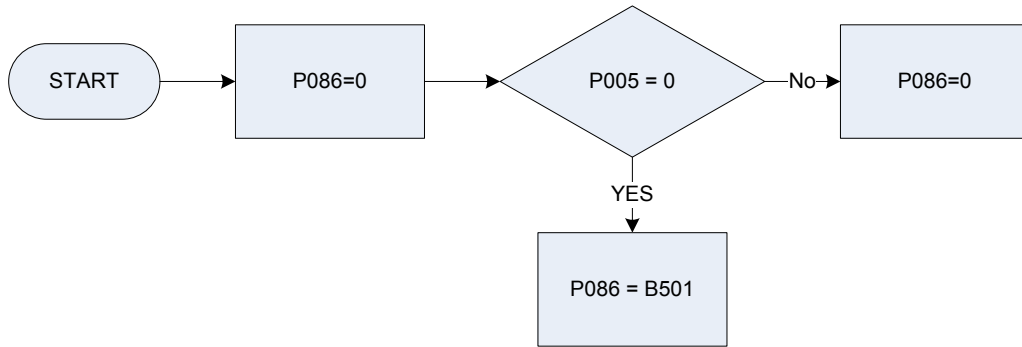
P085 – Any other benefit – amount currently received



Key

- DVANISB** DV for any National Insurance or State Benefit not mentioned earlier
Dvberev DV for Bereavement Payment
DvCWPAmnt Dv for Cold Weather payment
DvIwc DV for In-Work Credit
DvIone DV for Lone-parent's benefit run-on/Job Grant
DvRetwk DV for Return to Work Credit
DvWint DV for winter fuel payment
OtherBen In the last 6 months, has the respondent received any of these state benefits in their own right: that is, where they are the named recipient?
ExtPay *Extended Payment' of Housing Benefit/rent rebate (4 week payment only)*
Berev *Bereavement Payment*
Lone *Lone Parent's Benefit Run-on/Job Grant*
InWork *In-Work Credit*
RetWork *Return to Work Credit*
ANISB *Any National Insurance or State Benefit not mentioned earlier*
- SocFund** In the last 12 months, has the respondent received any of these state benefits in their own right: that is, where they are the named recipient?
SFFune *A grant from the Social Fund for funeral expenses*
SFMat *A grant from the Social Fund for maternity expenses/Sure Start Maternity Grant*
DWPIoan *A loan or grant from DWP*
Laloan *A loan or grant from your Local Authority*
- Winter** In the last 12 months, has the respondent received a winter fuel payment in their own right?
Yes
No

P086 – TU | Friendly society benefits – 13 week rule

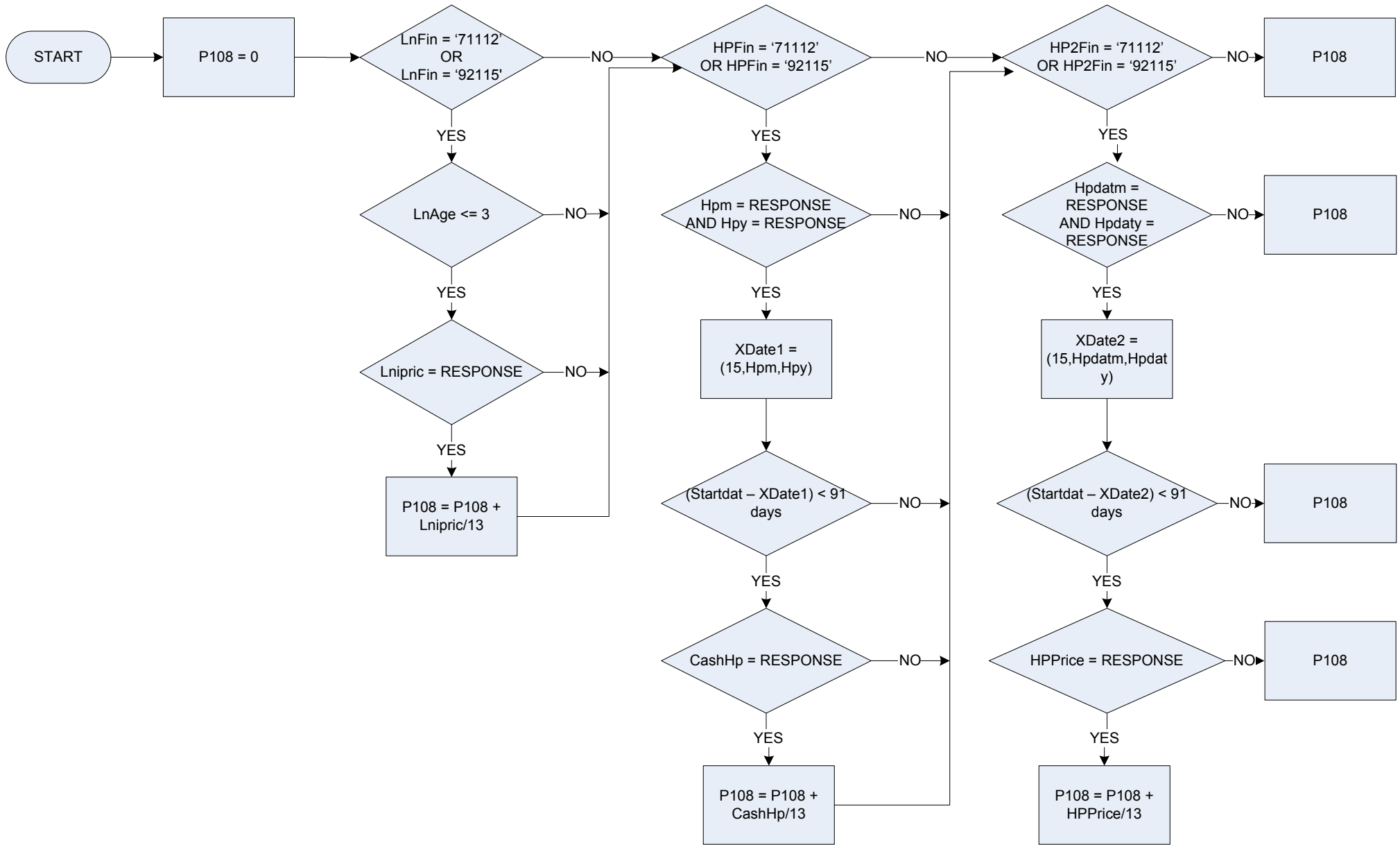


KEY

B501
P005

Private benefits – amount received at present
Gross wage, salary last time paid (main – 13 weeks)

P108 – New cars – purchase price

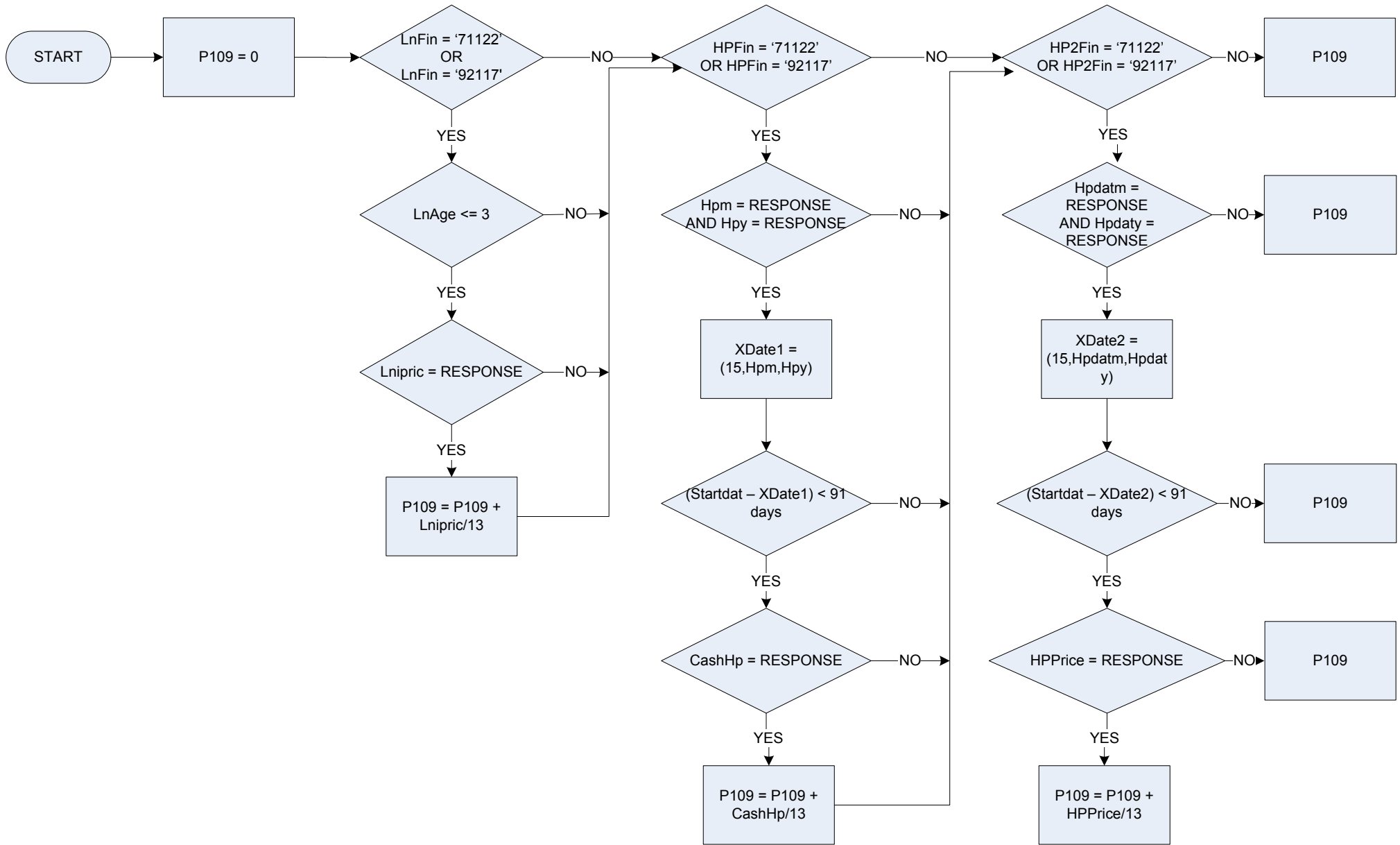


P108 – New cars – purchase price

KEY

CashHP	Weekly equivalent value of the cash price
HP2Fin = 71112	Hire purchase (HP) expenditure code: Loan/HP purchase of new car/van
HP2Fin = 92115	Hire purchase (HP) expenditure code: Loan/HP purchase of new motor caravan
Hpdatm	Hire Purchase: In which month did respondent obtain the item or service?
Hpdaty	Hire Purchase: In which year did respondent obtain the item or service?
HPFin	Hire Purchase or credit sale agreement
Hpm	Hire Purchase: In which month did respondent obtain the item or service?
HpnPsn	Hire Purchase: Who entered this agreement?
HPPrice	Hire Purchase: What was the cash price?
HpPsn	Hire Purchase: Who entered this agreement?
Hpy	Hire Purchase: In which year respondent obtained the item or service?
LnAge	Age of loan [Number = months]
LnFin = 71112	Loan expenditure code: Loan/HP purchase of new car/van
LnFin = 92115	Loan expenditure code: Loan/HP purchase of new motor caravan
Lnipex	Loans: How much was allowed in part exchange?
Lnipric	Total cash price

P109 – Second hand cars – purchase price

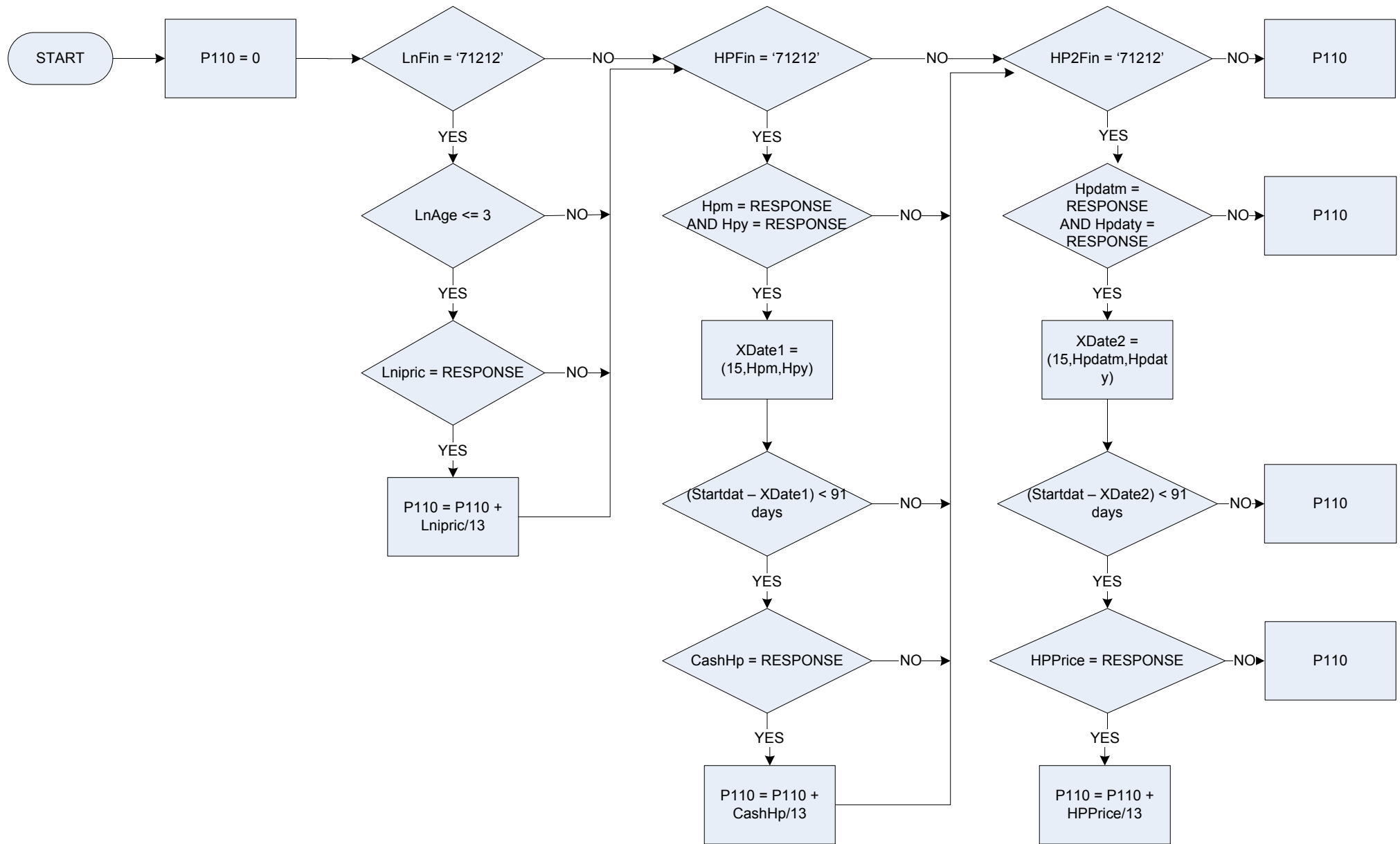


P109 – Second hand cars – purchase price

KEY

CashHP	Weekly equivalent value of the cash price
HP2Fin = 71122	Hire Purchase expenditure code: Loan/hire purchase of second-hand car/van
HP2Fin = 92117	Hire Purchase expenditure code: Loan/HP purchase of second-hand motor caravan
Hpdadm	Hire Purchase: In which month did respondent obtain the item or service?
Hpdaty	Hire Purchase: In which year did respondent obtain the item or service?
HPFin	HP or credit sale agreement
Hpm	Hire Purchase: In which month did respondent obtain the item or service?
HpnPsn	Hire Purchase: Who entered this agreement?
HPPrice	Hire Purchase: What was the cash price?
HpPsn	Hire Purchase: Who entered this agreement?
Hpy	Hire Purchase: In which year respondent obtained the item or service?
LnAge	Age of loan [Number = months]
LnFin = 71122	Loans expenditure code: Loan/hire purchase of second-hand car/van
LnFin = 92117	Loans expenditure code: Loan/HP purchase of second-hand motor caravan
Lnipex	Loans: How much was allowed in part exchange?
Lnipric	Total cash price

P110 – Motorcycles – purchase price

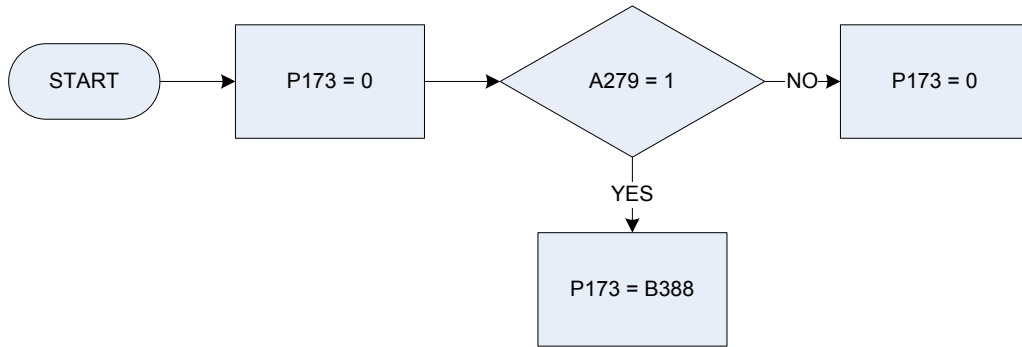


P110 – Second hand cars – purchase price

KEY

CashHP	Weekly equivalent value of the cash price
HP2Fin = 71212	Hire Purchase expenditure code: Loan/hire purchase of new or second-hand motorcycle
Hpdatm	Hire Purchase: In which month did respondent obtain the item or service?
Hpdaty	Hire Purchase: In which year did respondent obtain the item or service?
HPFin	HP or credit sale agreement
Hpm	Hire Purchase: In which month did respondent obtain the item or service?
HpnPsn	Hire Purchase: Who entered this agreement?
HPPrice	Hire Purchase: What was the cash price?
HpPsn	Hire Purchase: Who entered this agreement?
Hpy	Hire Purchase: In which year respondent obtained the item or service?
LnAge	Age of loan [Number = months]
LnFin = 71212	Loans expenditure code: Loan/hire purchase of new or second-hand motorcycle
Lnipex	Loans: How much was allowed in part exchange?
Lnipric	Total cash price
LnPsn	Loans: Who makes the payments?

P173 – Current statutory sick pay

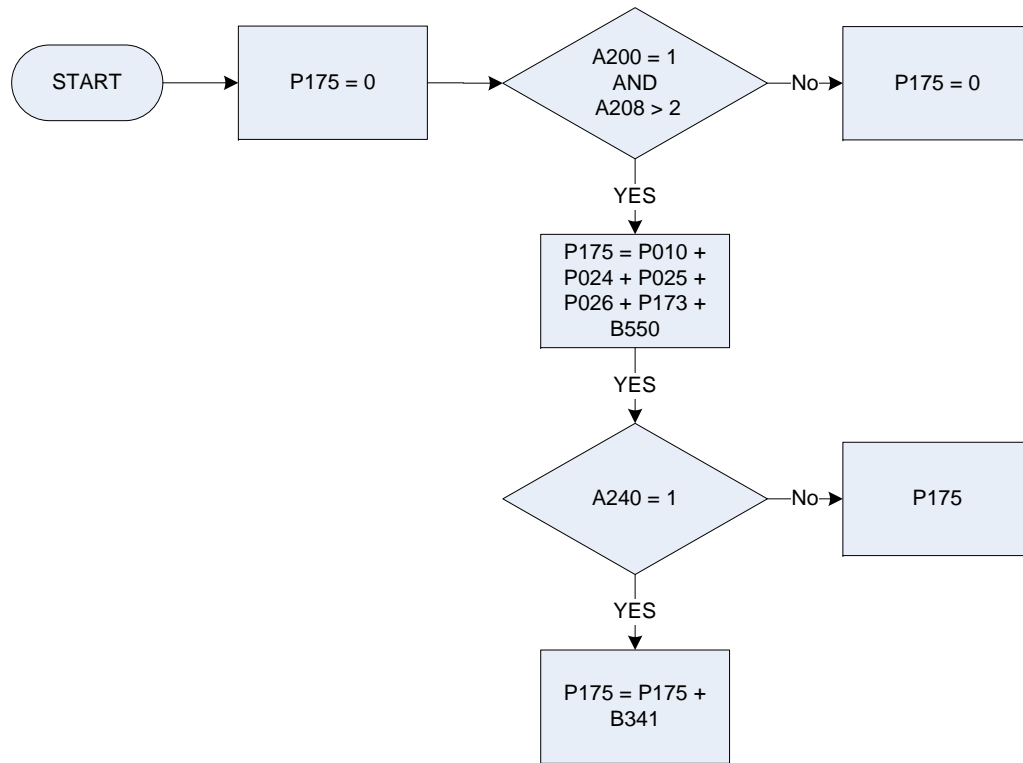


KEY

A279
B388

Statutory sick pay – receiving at present
NI retirement pension – last amount received

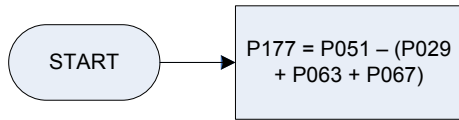
P175 – Social security benefits received by employees away from work without pay for more than 2 weeks



KEY

A200	Employment status = Employee (FES definition)
A208	Number of weeks away from work
A240	Maternity allowance – receiving at present
B341	Maternity allowance – amount received
B550	Universal Credit – amount received
P010	Government Training Programme allowance – current
P024	Job Seekers Allowance – current
P025	Income support amount received
P026	Incapacity benefit – amount received at present
P173	Current statutory sick pay

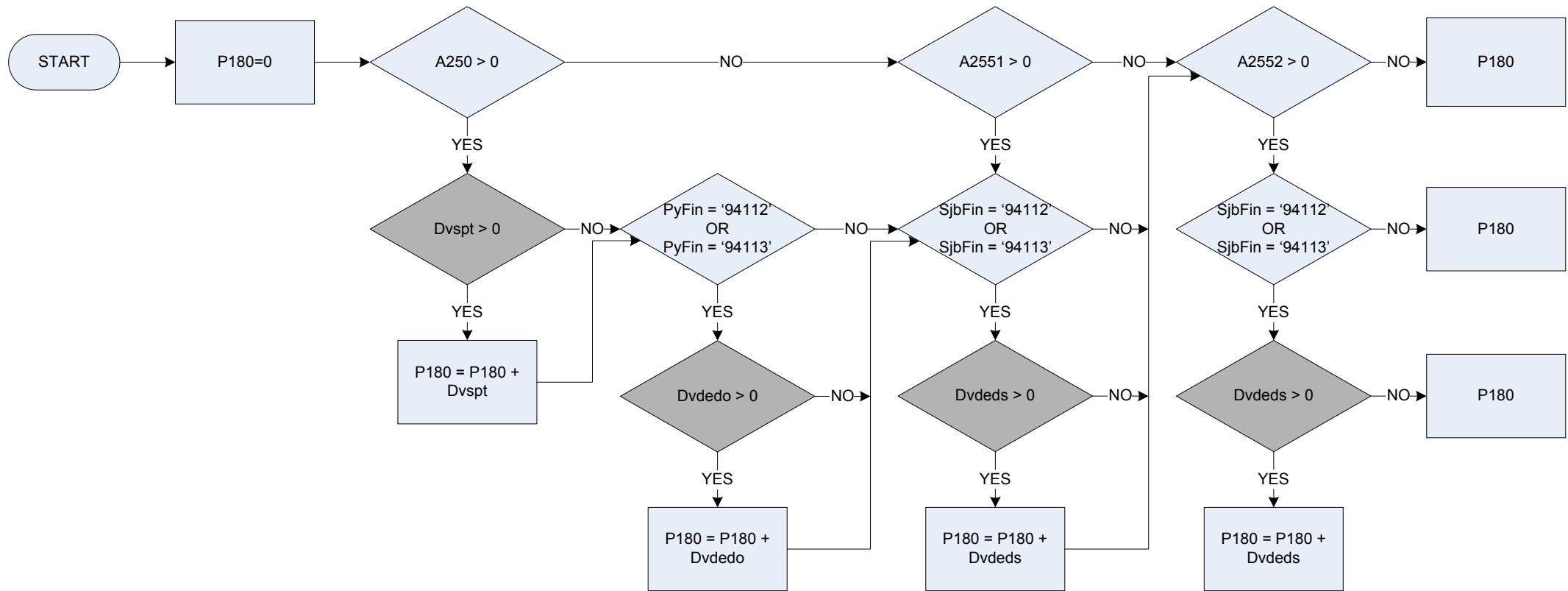
P177 – Pension gross income, less Tax & NI



KEY

P029	NI contributions paid by non-employees
P051	Total personal gross income (normal)
P063	NI employees contribution, 13 week rule
P067	Income tax, payments less refunds (13 week rule)

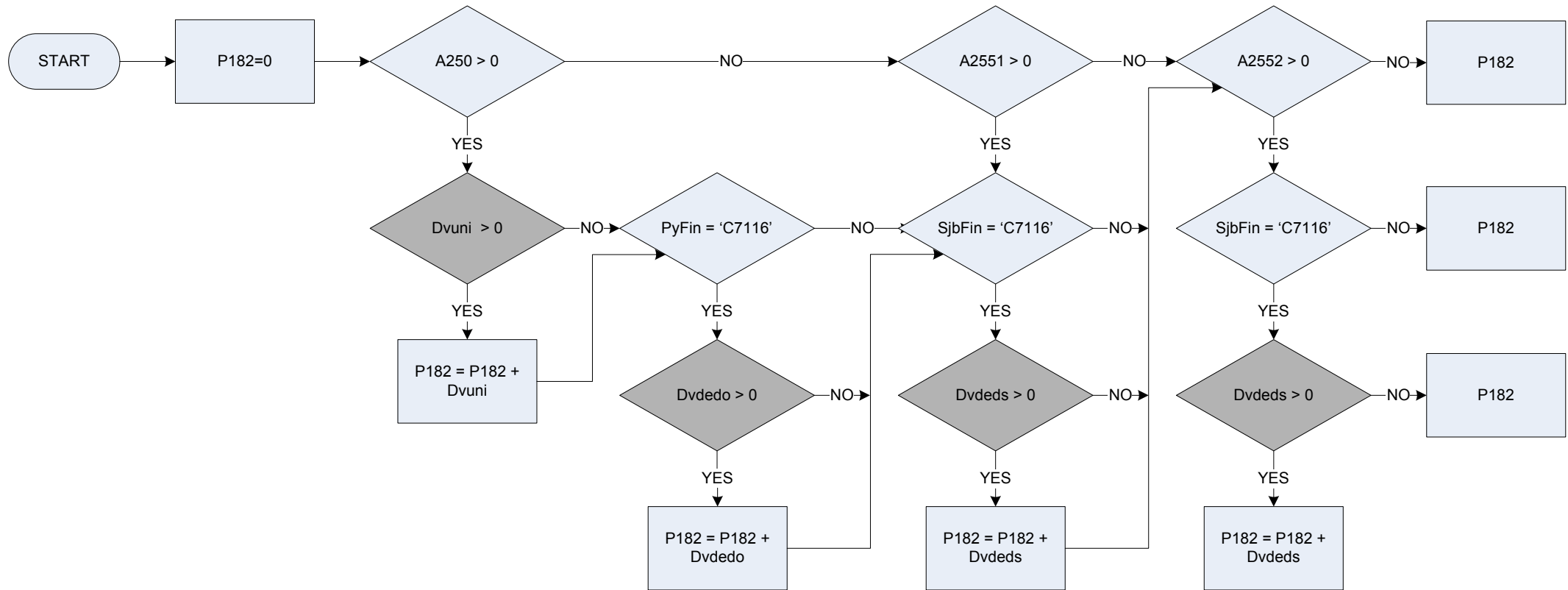
P180 – Participant sports, specialised pastimes



KEY

A250	Main job - last pay was received in specified time period 1 Not recorded 2 Received
A2551	First subsidiary job - employee: last pay was received in specified time period 0 Not recorded 1 Received
A2552	Second subsidiary job - employee: last pay was received in specified time period 0 Not recorded 1 Received
Dvdedo	Derived from PyDAmt to give a weekly amount – (PyDAmt – Pay: How much was deducted for [other deduction]?)
Dvdeds	Derived from SJbDAmt to give a weekly amount – (SJbDAmt – Subsidiary Job: How much was deducted for this deduction?)
Dvspt	Derived from SptDAmt to give a weekly amount – (SptDAmt – Pay: How much was deducted for sports clubs or specialist pastimes?)
PyFin = 94112	Deduction from pay (main job): Participation sports excluding subscriptions
PyFin = 94113	Deduction from pay(main job): Subscriptions to sports social clubs
SjbFin = 94112	Deduction from pay (subsidiary job): Participant sports excluding subscriptions
SjbFin = 94113	Deduction from pay (subsidiary job): Subscriptions to sports and social clubs

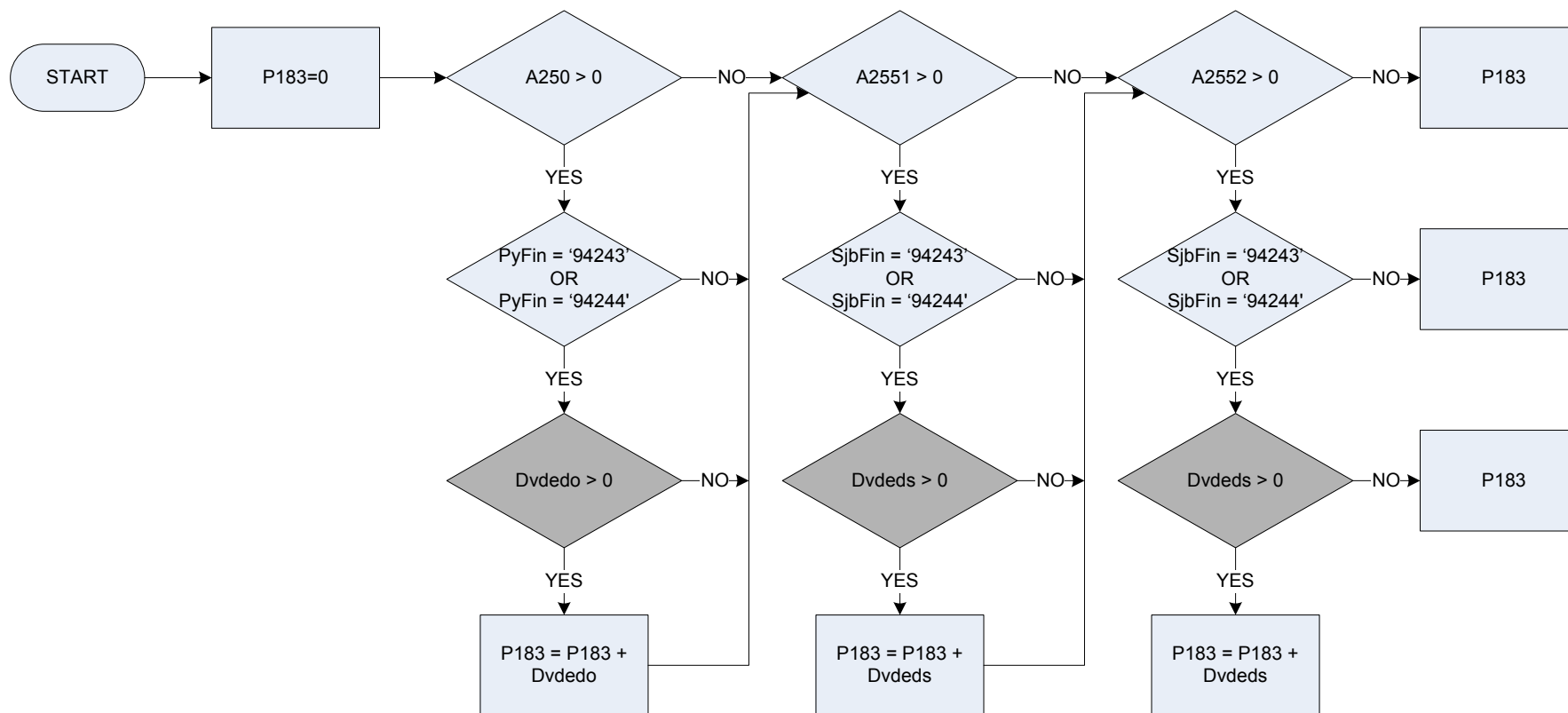
P182 – Subscriptions to trade unions, professional organisations. etc



KEY

- A250** Main job - last pay was received in specified time period
 0 Not recorded
 1 Received
- A2551** First subsidiary job as employee: last pay was received in specified time period
 0 Not recorded
 1 Received
- A2552** Second subsidiary job as employee: last pay was received in specified time period
 0 Not recorded
 1 Received
- Dvdedo** Derived from PyDAmt to give a weekly amount – (PyDAmt – Pay: How much was deducted for [other deduction]?)
- Dvuni** Derived from UnDAmt to give a weekly amount – (UnDAmt – Pay: How much was deducted for union fees?)
- Dvdeds** Derived from SjbDAmt to give a weekly amount – (SjbDAmt – Subsidiary Job: How much was deducted for this deduction?)
- PyFin = C7116** Deduction from pay (main job): Trade Unions and professional organisations
- SjbFin = C7116** Deduction from pay (subsidiary job): Trade Unions and professional organisations

P183 – Other subscriptions



KEY

A250

Main job - last pay was received in specified time period

0 Not recorded

1 Received

A2551

First subsidiary job as employee: last pay was received in specified time period

0 Not recorded

1 Received

A2552

Second subsidiary job as employee: last pay was received in specified time period

0 Not recorded

1 Received

Dvdeds

Derived from SJDAMt to give a weekly amount – (SJDAMt – Subsidiary Job: How much was deducted for this deduction?)

Dvdedo

Derived from PyDAMt to give a weekly amount – (PyDAMt – Pay: How much was deducted for [other deduction]?)

PyFin = 94243

Deduction from pay (main job): Subscriptions for leisure activities

PyFin = 94244

Deduction from pay (main job): Other subscriptions

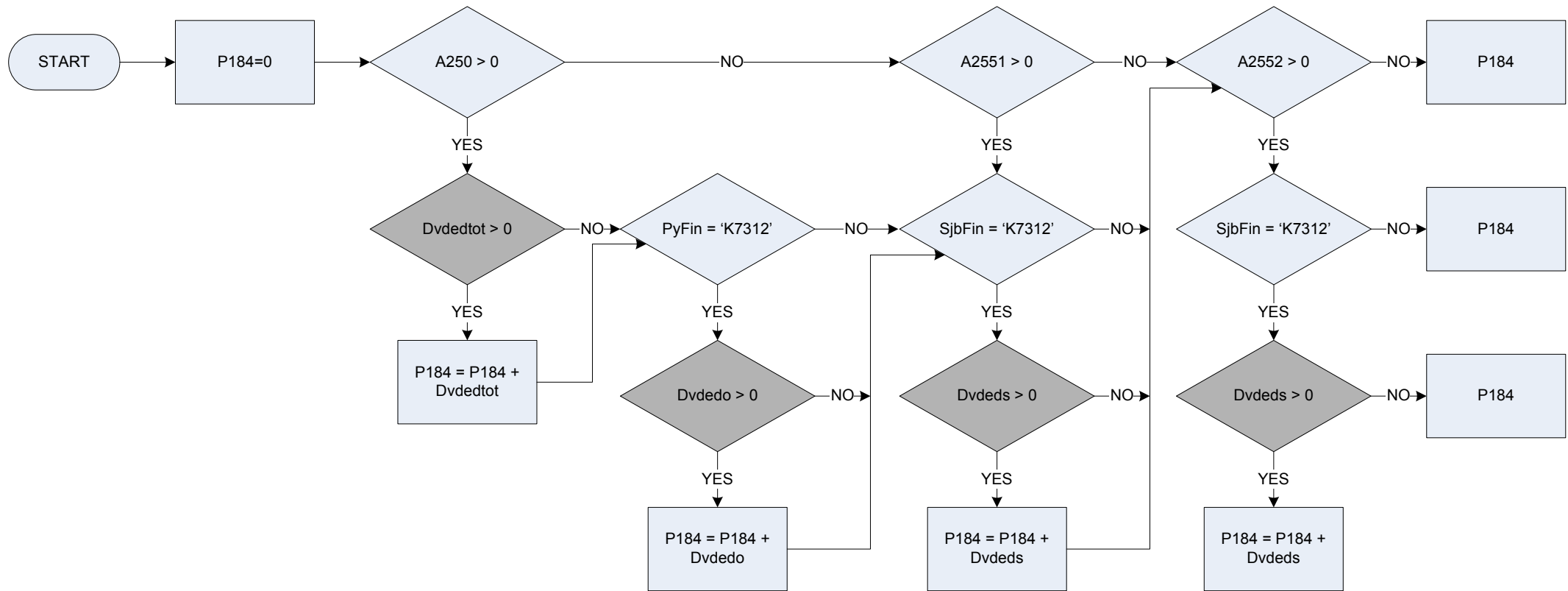
SjbFin = 94243

Deduction from pay (subsidiary job): Subscriptions for leisure activities

SjbFin = 94244

Deduction from pay (subsidiary job): Other subscriptions

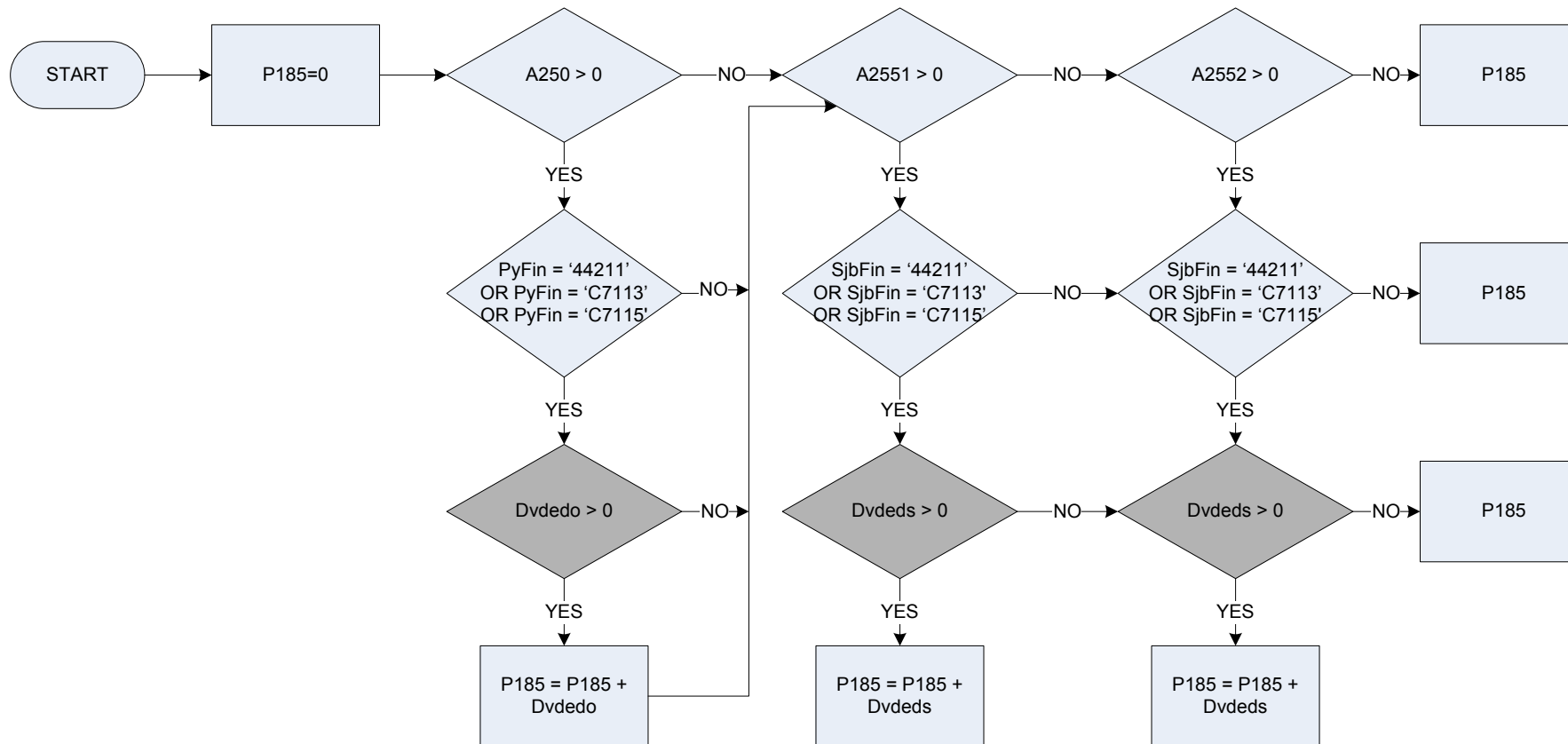
P184 – Charitable gifts



KEY

- A250** Main job - last pay was received in specified time period
 0 Not recorded
 1 Received
- A2551** First subsidiary job - employee: last pay was received in specified time period
 0 Not recorded
 1 Received
- A2552** Second subsid job - employee: last pay was received in specified time period
 0 Not recorded
 1 Received
- Dvdedo** Derived from PyDAmt to give a weekly amount – (PyDAmt – Pay: How much was deducted for [other deduction]?)
- Dvdeds** Derived from SjbDAmt to give a weekly amount – (Subsidiary Job: How much was deducted for this deduction?)
- Dvdedtot** Derived from DedTot - How much was deducted for charities?
- PyFin = K7312** Deduction from pay (main job): Charitable gifts
- SjbFin = K7312** Deduction from pay (subsidiary job): Charitable gifts

P185 – Miscellaneous expenditure on services



KEY

A250

Main job – last pay was received within specified time period

0 Not recorded

1 Received

A2551

First subsidiary job as employee: last pay was received within specified time period

0 Not recorded

1 Received

A2552

Secondary subsidiary job as employee: last pay was received within specified time period

0 Not recorded

1 Received

Dvdedo

Derived from PyDAmt to give a weekly amount – (PyDAmt – Pay: How much was deducted for [other deduction]?)

Dvdeds

Derived from SjbDAmt to give a weekly amount – (SjbDAmt – Subsidiary Job: How much was deducted for this deduction?)

PyFin = 44211

Deduction from pay (main job): Refuse collection, including skip hire

PyFin = C7113

Deduction from pay (main job): Other payments for services, e.g. photocopying

PyFin = C7115

Deduction from pay (main job): Other professional fees, including court fines

SjbFin = 44211

Deduction from pay (subsidiary job): Refuse collection, including skip hire

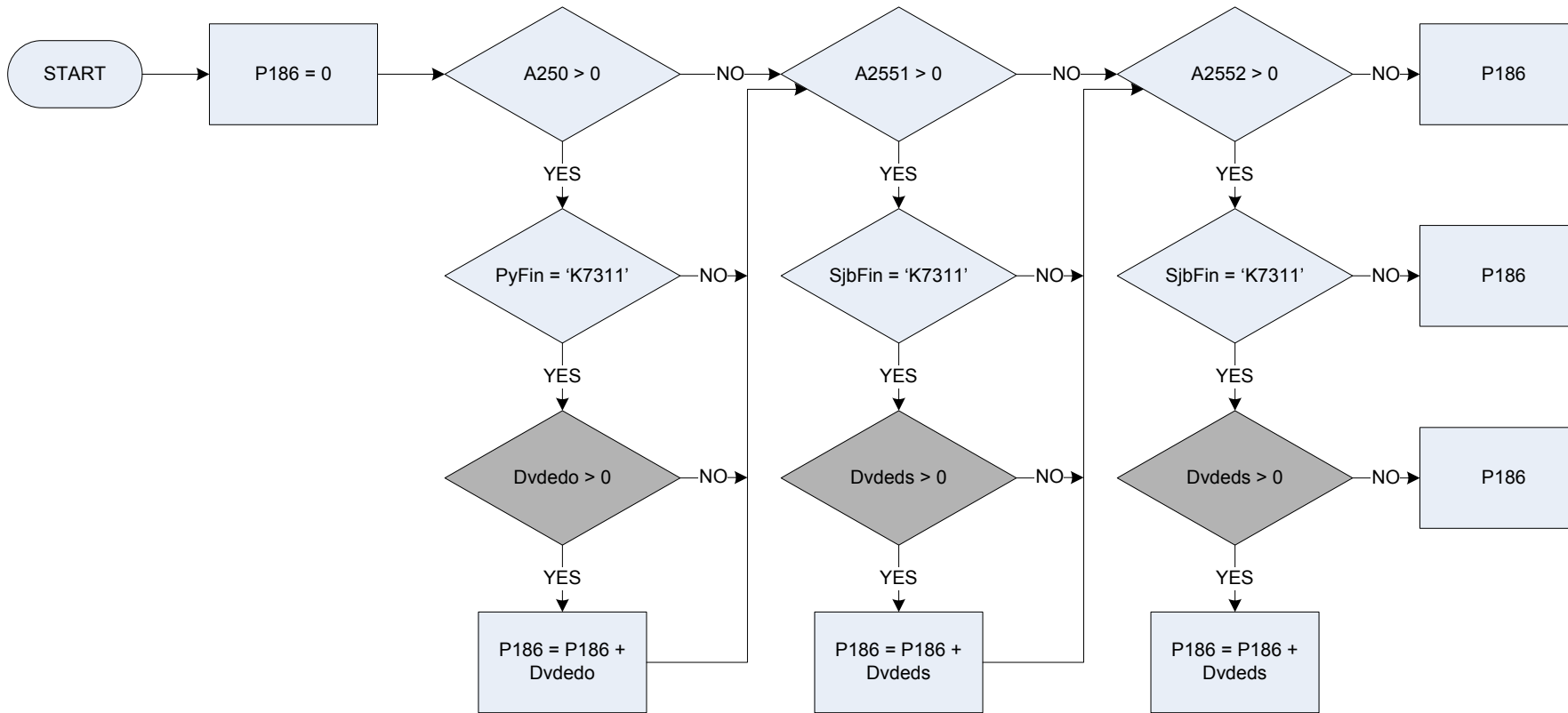
SjbFin = C7113

Deduction from pay (subsidiary job): Other payments for services e.g. photocopying

SjbFin = C7115

Deduction from pay (subsidiary job): Other professional fees, including court fines

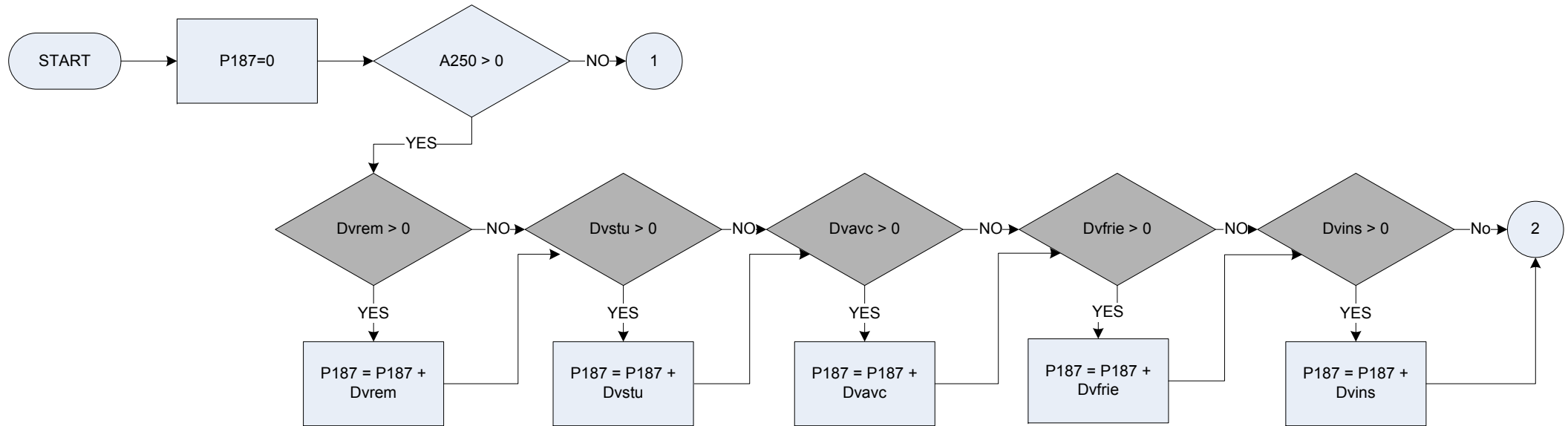
P186 – Cash gifts not allocated elsewhere



KEY

A250	Main job – last pay was received in specified time period 0 Not recorded 1 Received
A2551	First subsidiary job – employee: last pay was received in specified time period 0 Not recorded 1 Received
A2552	Second subsidiary job – employee: last pay was received in specified time period 0 Not recorded 1 Received
Dvdedo	Derived from PyDAmt to give a weekly amount – (PyDAmt – Pay: How much was deducted for [other deduction]?)
Dvdeds	Derived from SJbDAmt to give a weekly amount – (SJbDAmt – Subsidiary Job: How much was deducted for this deduction?)
PyFin = K7311	Deduction from pay (main job): Cash gifts not allocated elsewhere
SjbFin = K7311	Deduction from pay (subsidiary job): Cash gifts not allocated elsewhere

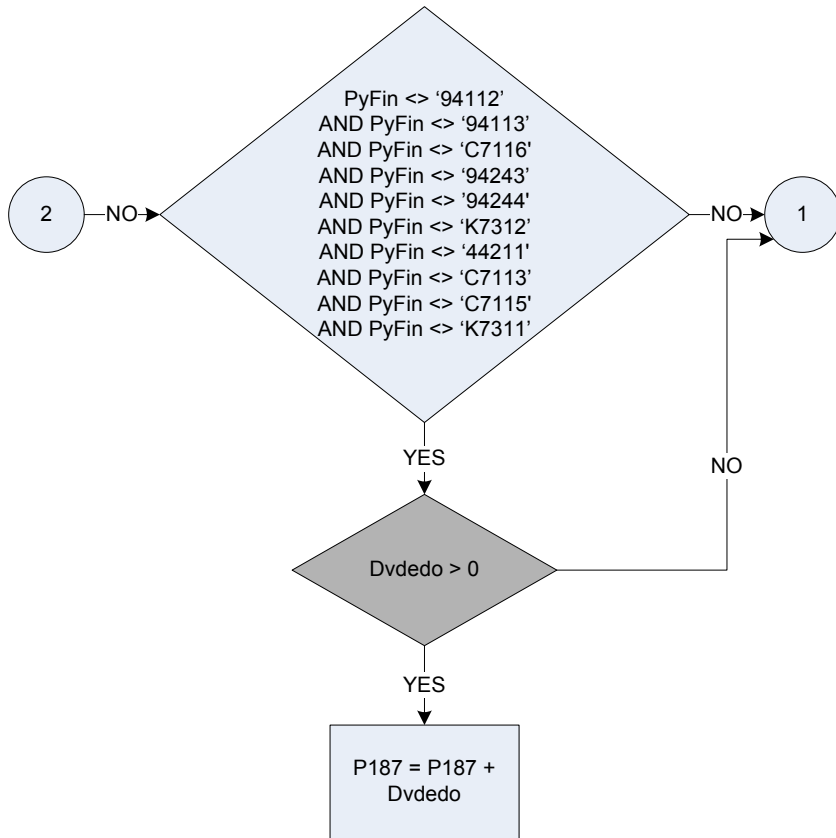
P187 – All other codes as deductions from pay



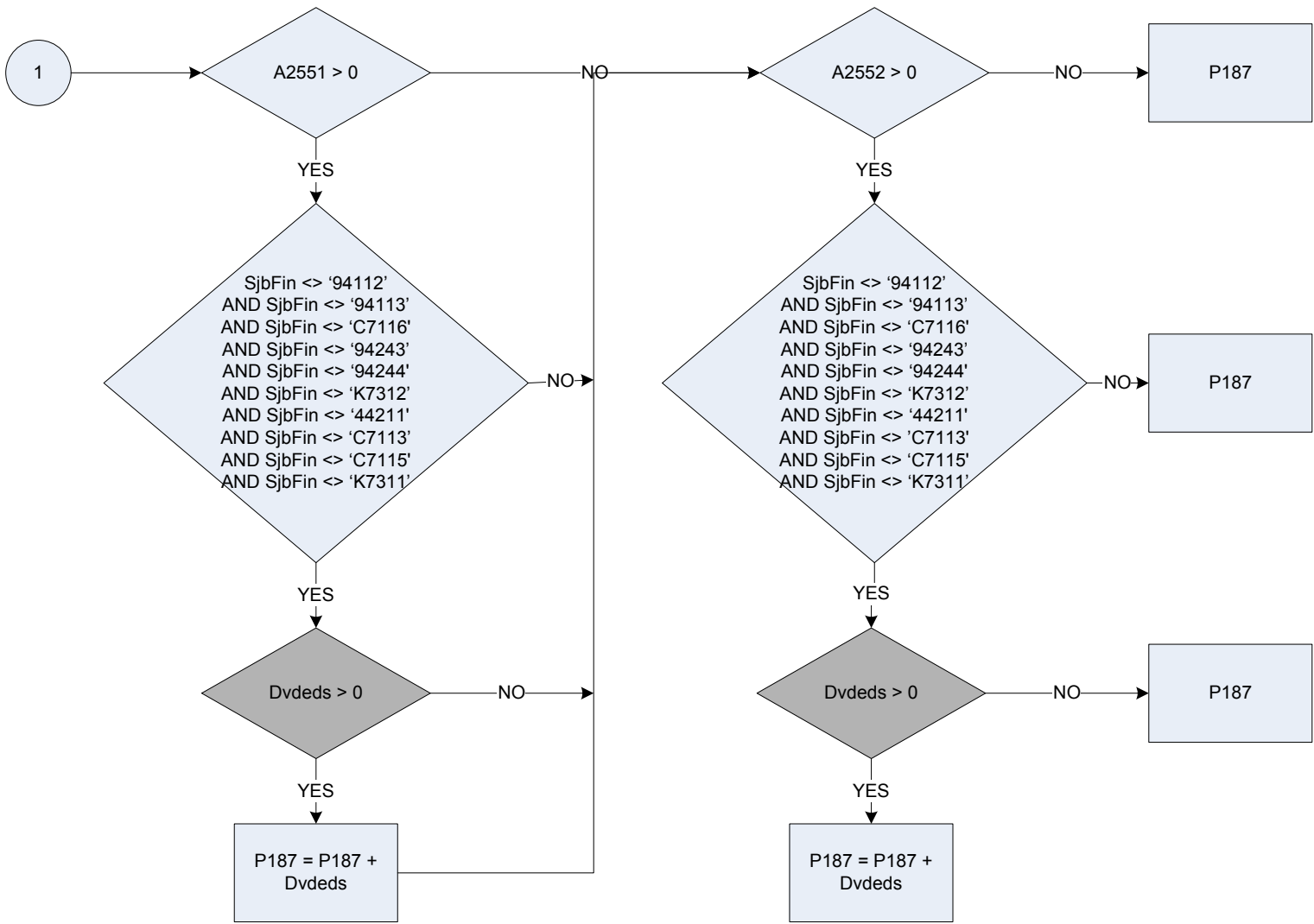
KEY

A250	Main job – last pay was received in specified time period 0 Not recorded 1 Received
A2551	First subsidiary job – employee: last pay was received in specified time period 0 Not recorded 1 Received
A2552	Second subsidiary job – employee: last pay was received in specified time period 0 Not recorded 1 Received
Dvavc	Derived from AVCAmt to give a weekly amount - (AVCAmt - Pay: How much was deducted for AVC's?) [0.01..997.00]
Dvfrie	Derived from FrieAt to give a weekly amount - (FrieAt - Pay: How much was deducted for Friendly societies?) [0.01..997.00]
Dvins	Derived from InsAmt to give a weekly amount - (InsAmt - Pay: How much was deducted for private medical insurance?) [0.01..997.00]
Dvrem	Derived from RemAmt to give a weekly amount - (RemAmt - Pay: How much was deducted for repaying your employer?) [0.01..997.00]
Dvstu	Derived from StuAmt to give a weekly amount - (StuAmt - Pay: How much was deducted for your student loan?) [0.01..997.00]
PyFin	Deduction from pay (main job): (see below list of deductions)
SjbFin	Deduction from pay (subsidiary job): (see below list of deductions)
44211	Deduction: Refuse collection, including skip hire
94112	Deduction: Participant sports (excluding subscriptions)
94113	Deduction: Subscriptions to sports and social clubs
94243	Deduction: Subscriptions for leisure activities
94244	Deduction: Other subscriptions
C7113	Deduction: Other payments for services e.g. photocopying
C7115	Deduction: Other professional fees including court fines
C7116	Deduction: Trade Union and Professional organisations
K7311	Deduction: Cash gifts not allocated elsewhere
K7312	Deduction: Charitable gifts

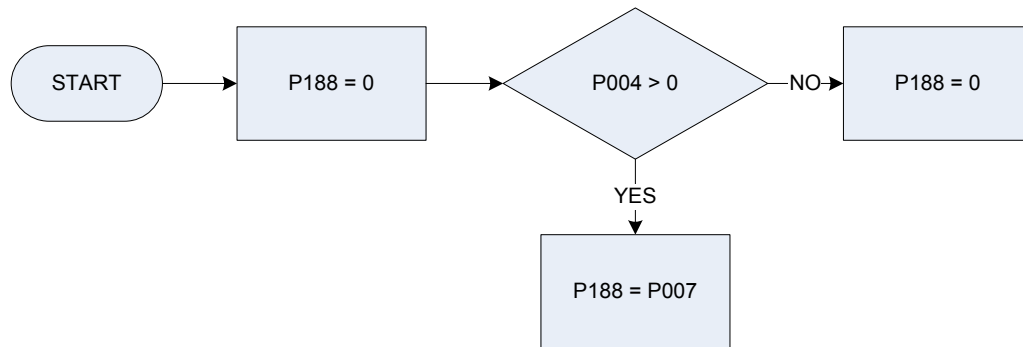
P187 – All other codes as deductions from pay



P187 – All other codes as deductions from pay



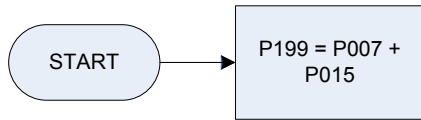
P188 – Normal gross wage, salary - employees



KEY

P004 Gross wage, salary last week, month (main)
P007 Normal gross wage, salary

P199 – Normal gross weekly earnings - employees

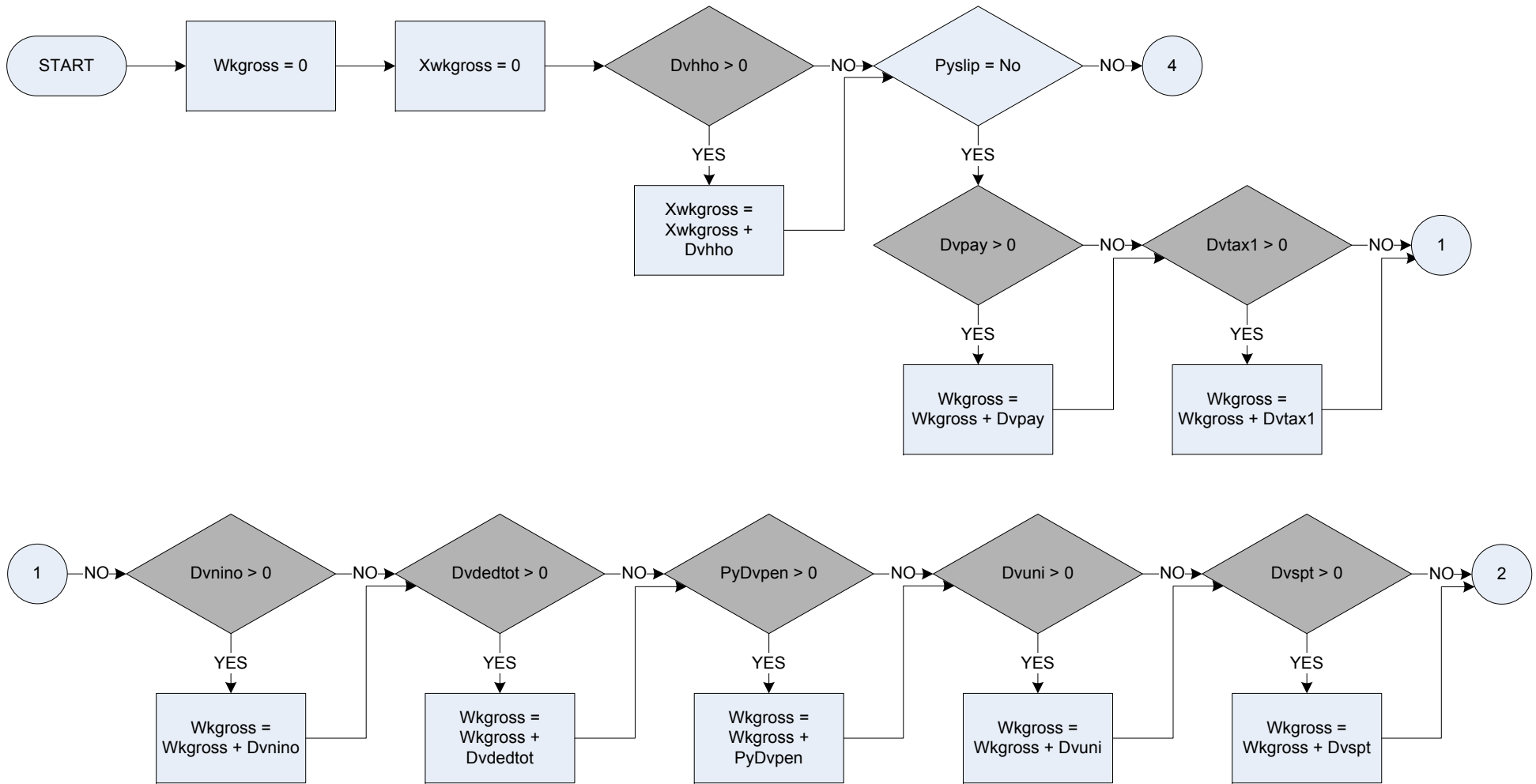


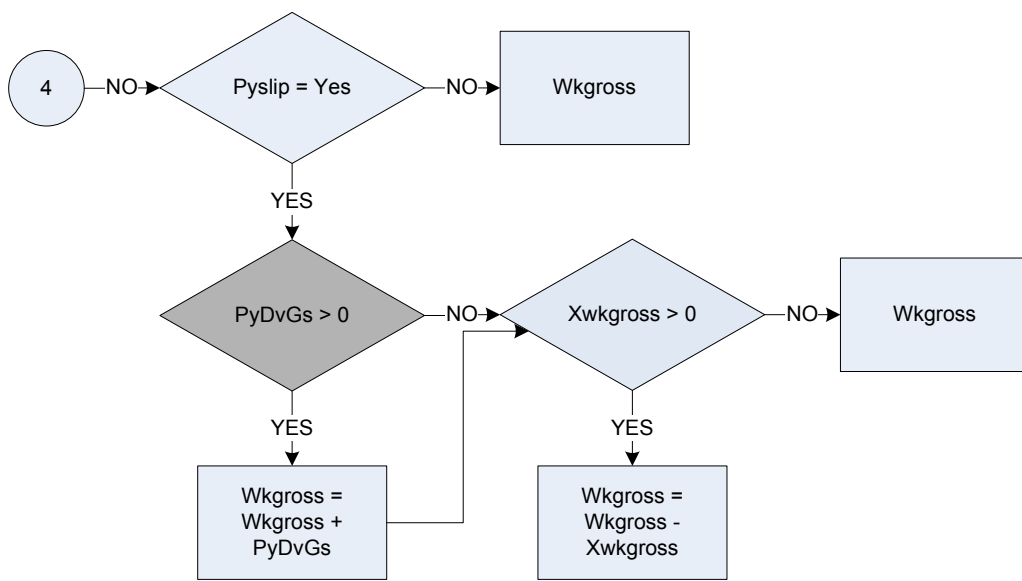
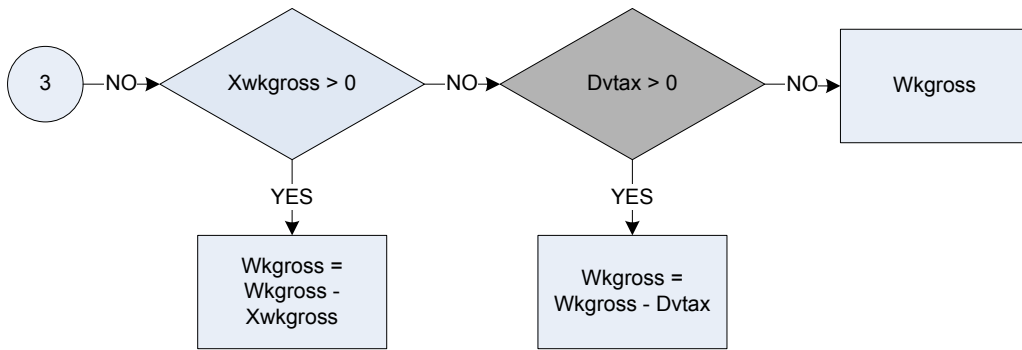
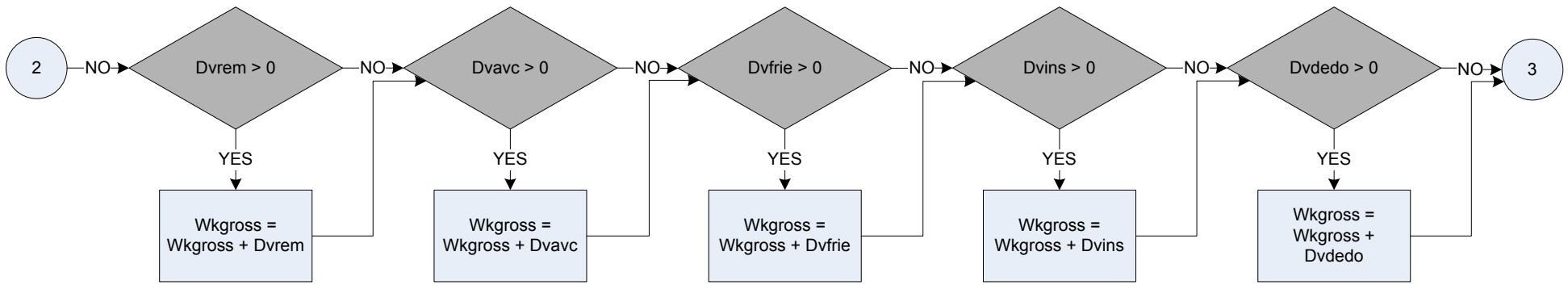
KEY

P007
P015

Normal gross wage, salary
Gross wage, salary last time paid (subsd)

Wkgross – Gross pay - amount





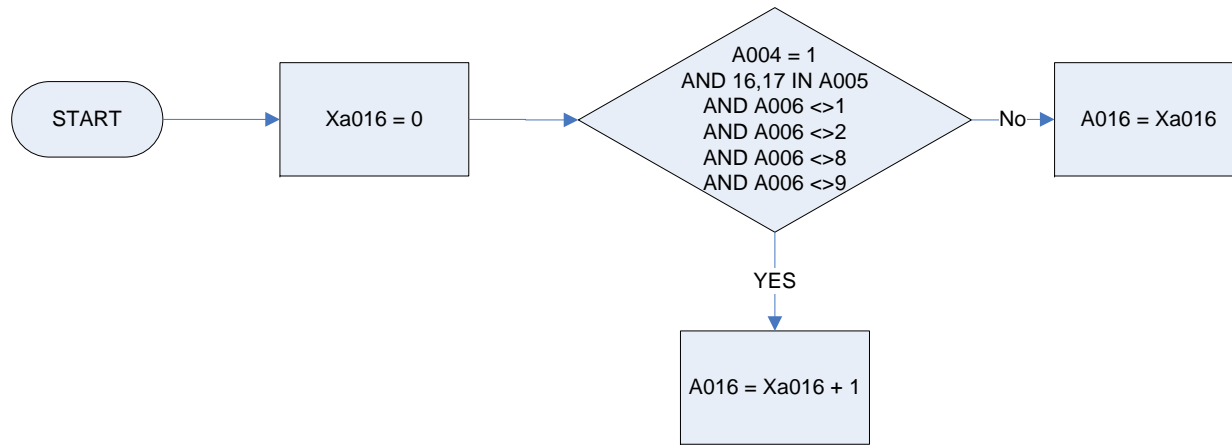
KEY

Dvavc	Derived from AVCamt to give a weekly amount – (AVCAmt – Pay: How much was deducted for AVCs?)
Dvdedo	Derived from PyDAmt to give a weekly amount – (PyDAmt – Pay: How much was deducted for [other deduction]?)
Dvdedtot	Derived from DedTot to give a weekly amount – (DedTot – Pay: How much was deducted for charities?)
Dvfrie	Derived from FrieAt to give a weekly amount – (FrieAt – Pay: How much was deducted for Friendly societies?)
Dvhho	Derived from HHOAmt - What was the amount of the refund?
Dvins	Derived from InsAmt to give a weekly amount – (InsAmt – Pay: How much was deducted for private medical insurance?)
Dvpay	Derived from PyAmt to give a weekly amount – (PyAmt – Pay: What was the respondent's last take home pay, (what will be their take home pay) including overtime, bonus, commission, tips or other payments?)
Dvrem	Derived from RemAmt to give a weekly amount – (RemAmt – Pay: How much was deducted for repaying your employer?)
Dvspt	Derived from SptDAmt to give a weekly amount – (SptDAmt – Pay: How much was deducted for sports clubs or specialist pastimes?)
Dvtax	Derived from TaxDAmt to give a weekly amount – (TaxDAmt – Pay: How much income tax was deducted last time?)
Dvtax1	Derived from PyTax to give a weekly amount – (PyTax – Pay: How much was deducted from the respondent's wage/salary for income tax under PAYE?)
Dvnino	Derived from PyNINO to give a weekly amount – (PyNINO – Pay: How much was deducted as a National Insurance Contribution?)
Dvuni	Derived from UnDAmt to give a weekly amount – (UnDAmt – Pay: How much was deducted for union fees?)
PyDvGs	Derived from PyGrs to give a weekly amount – (PyGrs – Pay: What was the gross wage/salary including any superannuation as shown on payslip?)
PyDvpen	Derived from PenDAmt to give a weekly amount – (PenDAmt – Pay: How much was deducted for superannuation?)
Pyslip	Did respondent consult payslip? 1 Yes 2 No
Xwkgross	Gross pay - amount

Section Three:

Flowcharts - Household level

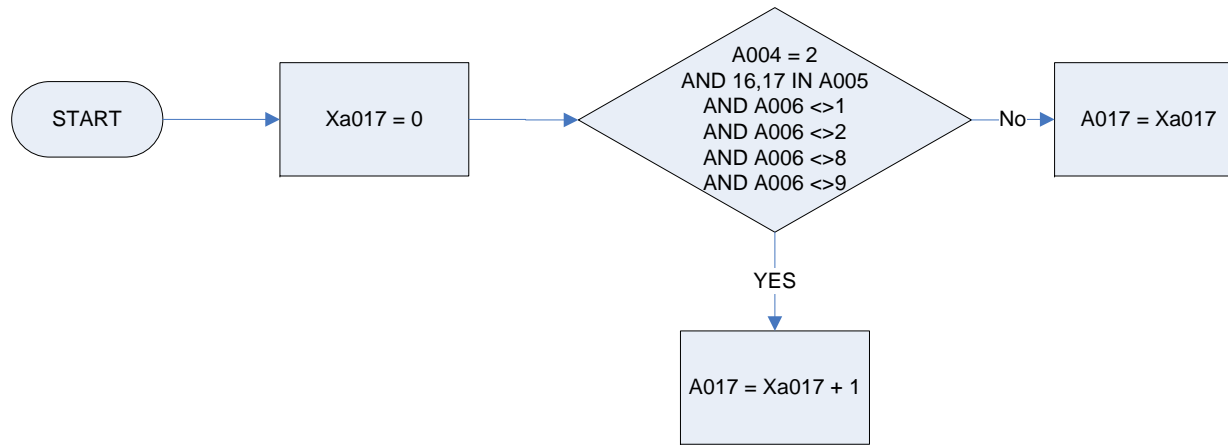
A016 – No of single males – age 16 but under 18



KEY

A004	Sex
1	Male
2	Female
A005	Age
A006	Marital status
1	Spouse in household
2	Spouse not in household
3	Cohabitee
4	Single
5	Widowed
6	Divorced
7	Separated
8	Civil Partner in HH
9	Civil Partner not in HH
10	Former Civil Partner
Xa016	Temporary variable to count the sum of single males age 16 but under 18 in the household

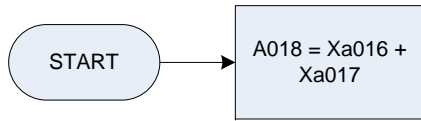
A017 – No of single females – age 16 but under 18



KEY

A004	Sex
1	Male
2	Female
A005	Age
A006	Marital status
1	Spouse in household
2	Spouse not in household
3	Cohabitee
4	Single
5	Widowed
6	Divorced
7	Separated
8	Civil Partner in HH
9	Civil Partner not in HH
10	Former Civil Partner
Xa017	Temporary variable to count the sum of single females age 16 but under 18 in the household

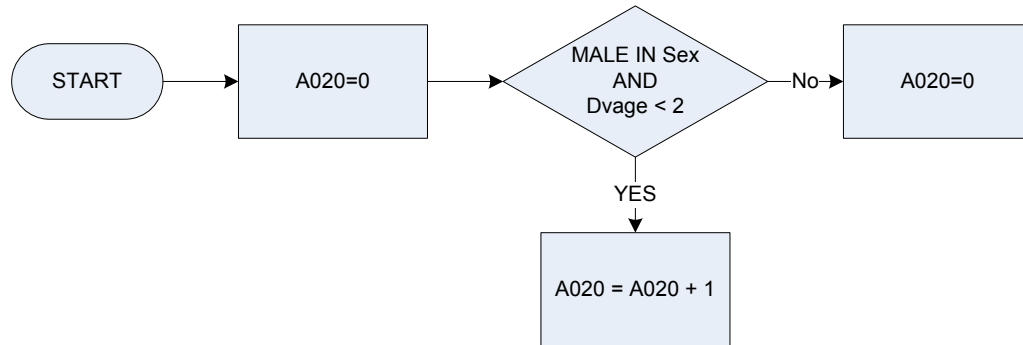
A018 – No of single persons – age 16 but under 18



KEY

Xa016 Temporary variable to count the sum of single males age 16 but under 18 in the household
Xa017 Temporary variable to count the sum of single females age 16 but under 18 in the household

A020 – No of male children – age under 2

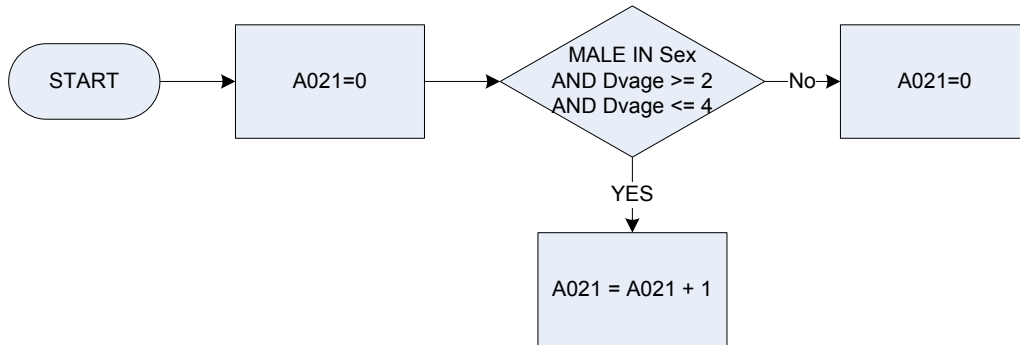


KEY

Dvage
Sex

Derived from Birth and Agelf - Age for whole sample
Sex
1 *Male*
2 *Female*

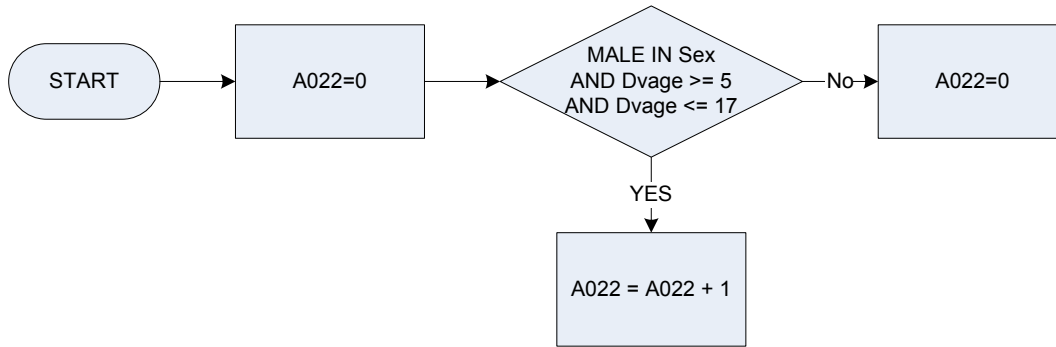
A021 – No of male children – age 2 and under 5



KEY

Dvage Derived from Birth and Agelf - Age for whole sample
Sex Sex
1 Male
2 Female

A022 – No of male children – age 5 but under 18

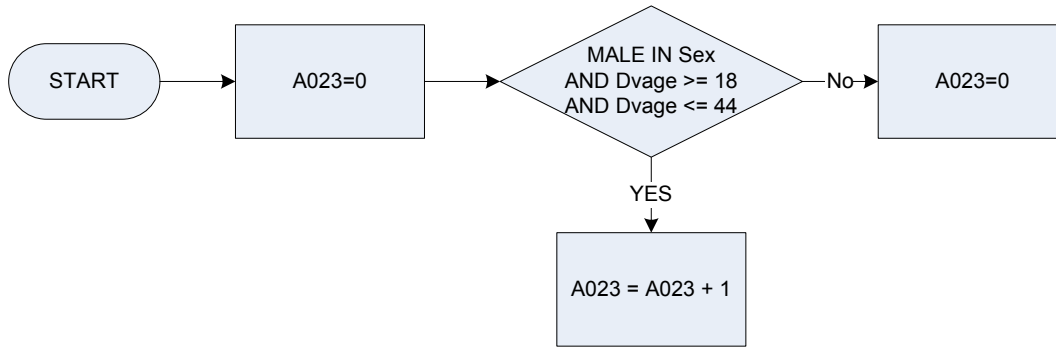


KEY

Dvage
Sex

Derived from Birth and Agelf - Age for whole sample
Sex
1 Male
2 Female

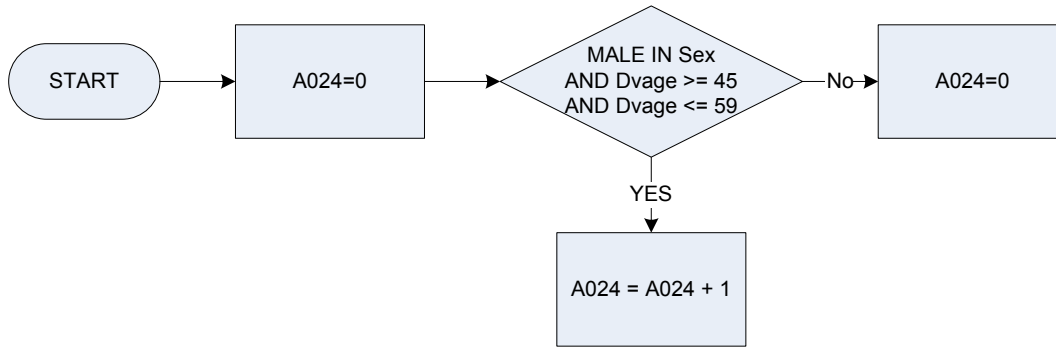
A023 – No of male adults – age 18 and under 45



KEY

Dvage Derived from Birth and Agelf - Age for whole sample
Sex Sex
1 Male
2 Female

A024 – No of male adults – age 45 but under 60

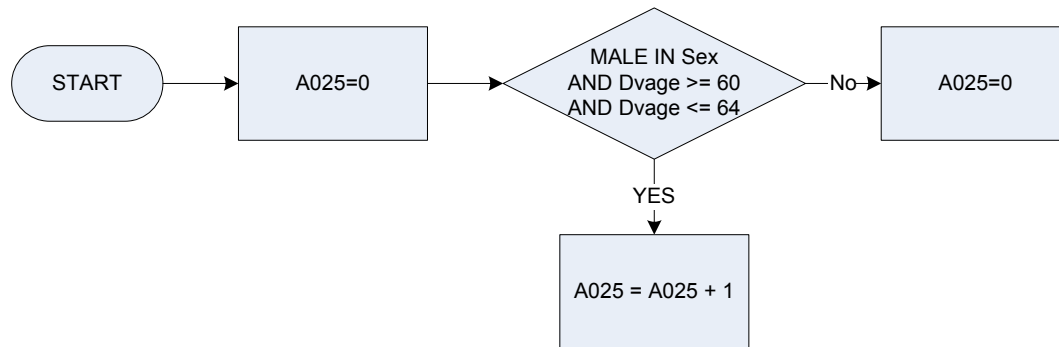


KEY

Dvage
Sex

Derived from Birth and Agelf - Age for whole sample
Sex
1 Male
2 Female

A025 – No of male adults – age 60 but under 65

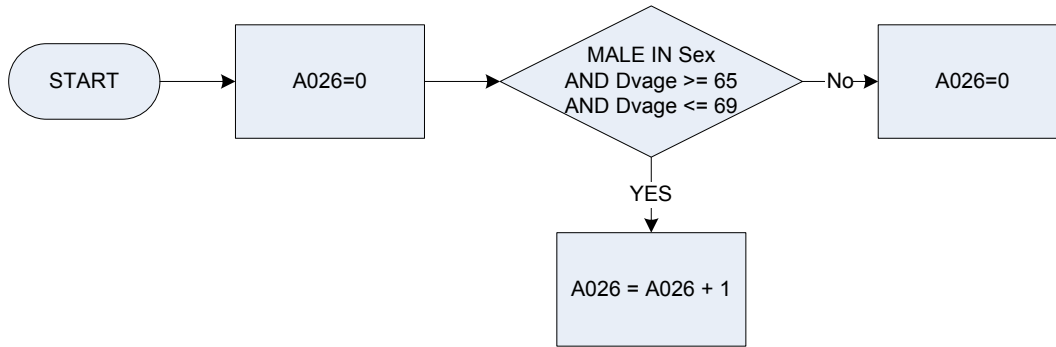


KEY

Dvage
Sex

Derived from Birth and Agelf - Age for whole sample
Sex
1 Male
2 Female

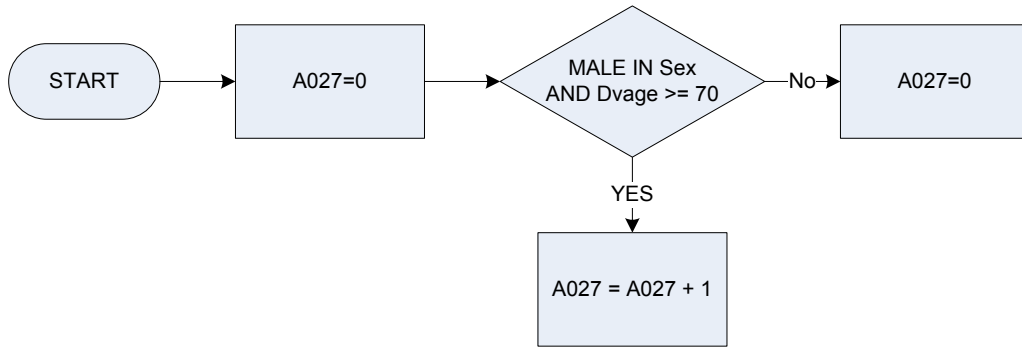
A026 – No of male adults – age 65 but under 70



KEY

Dvage Derived from Birth and Agelf - Age for whole sample
Sex Sex
1 Male
2 Female

A027 – No of male adults – age 70 and over

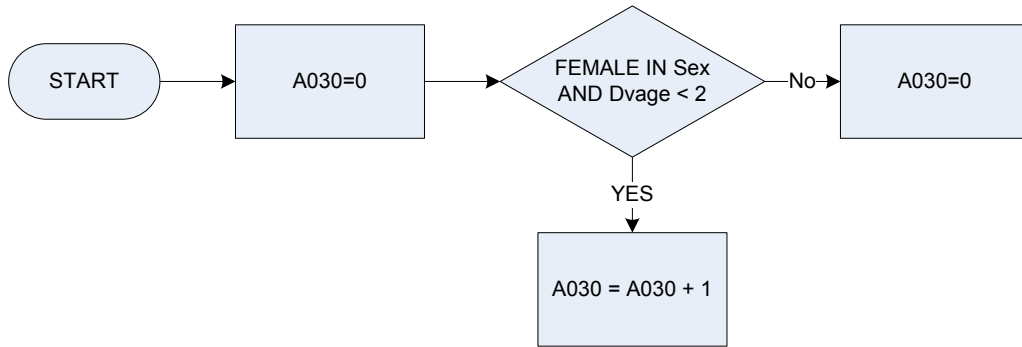


KEY

Dvage
Sex

Derived from Birth and Agelf - Age for whole sample
Sex
1 Male
2 Female

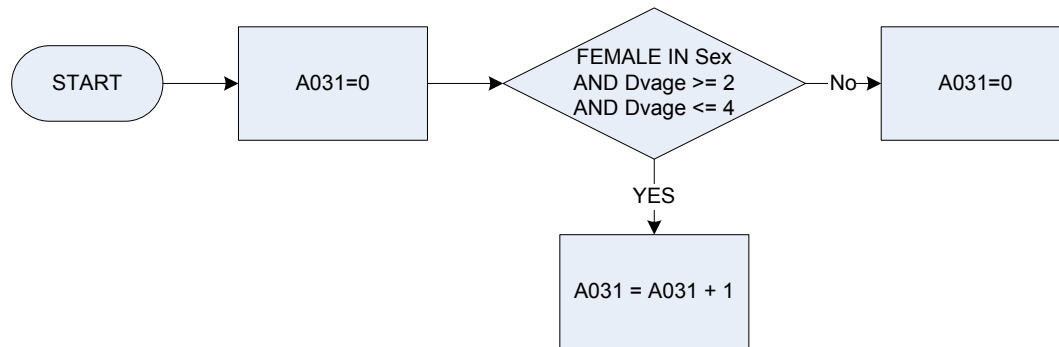
A030 – No of female children – age under 2



KEY

Dvage Derived from Birth and Agelf - Age for whole sample
Sex Sex
1 Male
2 Female

A031 – No of female children – age 2 and under 5

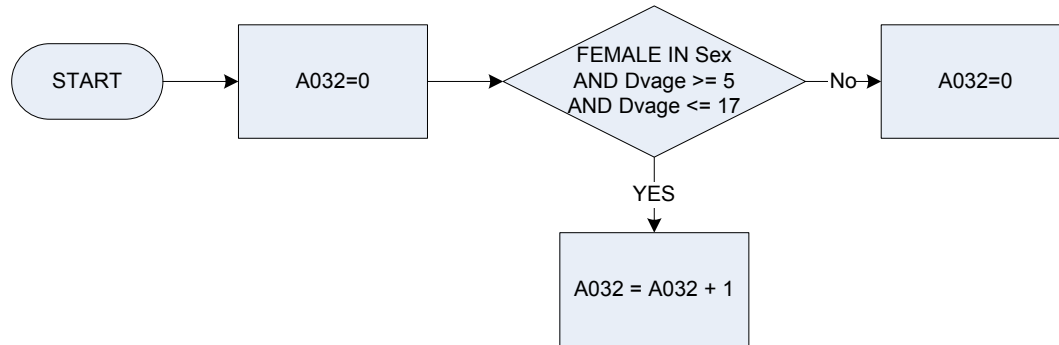


KEY

Dvage
Sex

Derived from Birth and Agelf - Age for whole sample
Sex
1 Male
2 Female

A032 – No of female children – age 5 but under 18



KEY

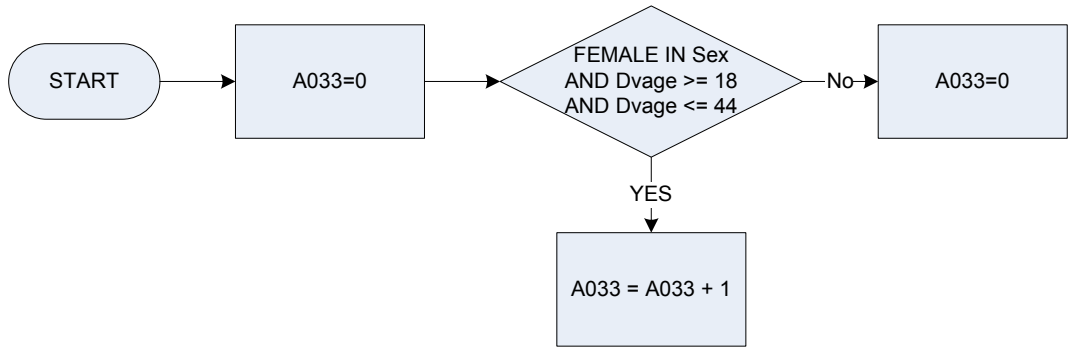
Dvage
Sex

Derived from Birth and Agelf - Age for whole sample

Sex

1 *Male*
2 *Female*

A033 – No of female adults – age 18 and under 45

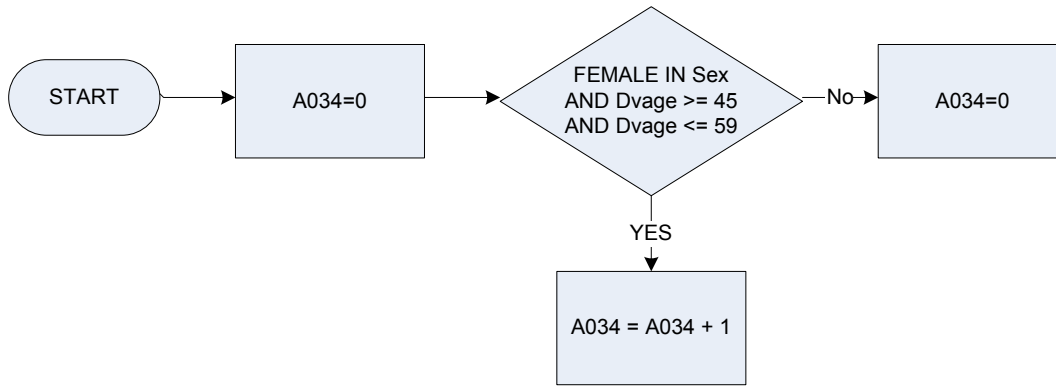


KEY

Dvage
Sex

Derived from Birth and Agelf - Age for whole sample
Sex
1 Male
2 Female

A034 – No of female adults – age 45 but under 60

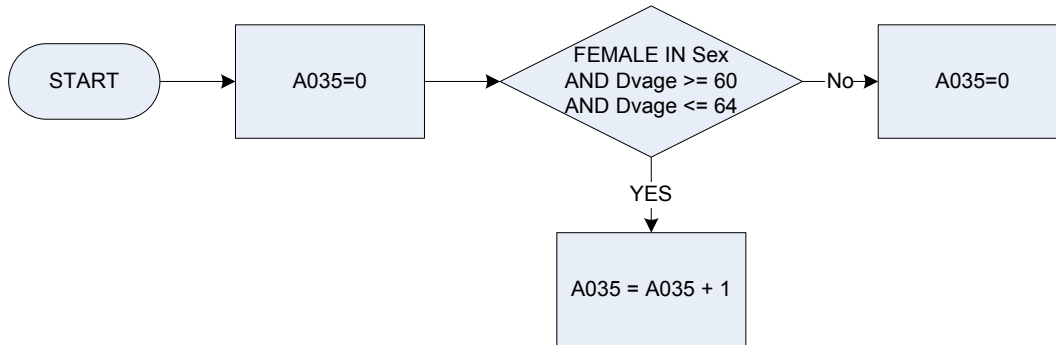


KEY

Dvage
Sex

Derived from Birth and Agelf - Age for whole sample
Sex
1 Male
2 Female

A035 – No of female adults – age 60 but under 65

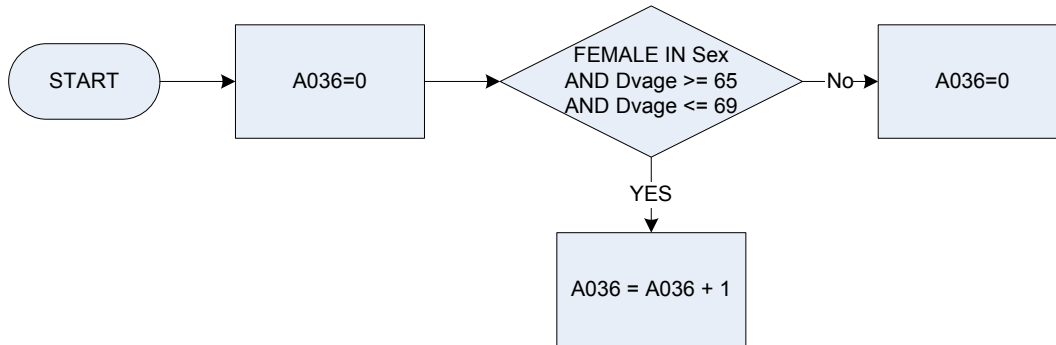


KEY

Dvage
Sex

Derived from Birth and Agelf - Age for whole sample
Sex
1 *Male*
2 *Female*

A036 – No of female adults – age 65 but under 70

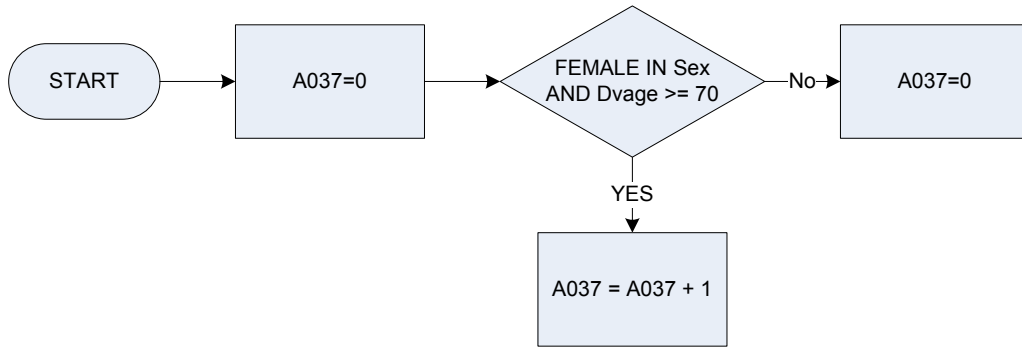


KEY

Dvage
Sex

Derived from Birth and Agelf - Age for whole sample
Sex
1 Male
2 Female

A037 – No of female adults – age 70 and over

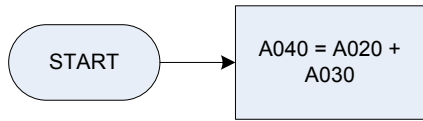


KEY

Dvage
Sex

Derived from Birth and Agelf - Age for whole sample
Sex
1 Male
2 Female

A040 – Number of children age under 2

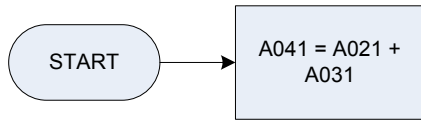


KEY

A020
A030

No of male children – age under 2
No of female children – age under 2

A041 – Number of children age 2 and under 5

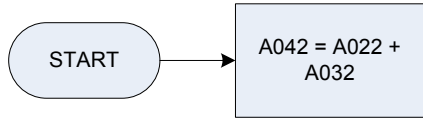


KEY

A021
A031

No of male children - age 2 and under 5
No of female children - age 2 and under 5

A042 – Number of children age 5 and under 18

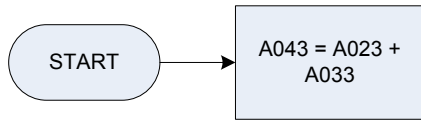


KEY

A022
A032

No of male children – age 5 but under 18
No of female children – age 5 but under 18

A043 – Number of adults – age 18 and under 45

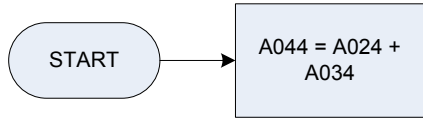


KEY

A023
A033

No of male adults – age 18 and under 45
No of female adults – age 18 and under 45

A044 – Number of adults – age 45 and under 60

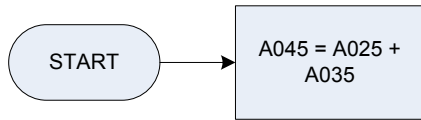


KEY

A024
A034

No of male adults – age 45 and under 60
No of female adults – age 45 and under 60

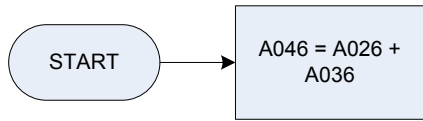
A045 – Number of adults – age 60 and under 65



KEY
A025
A035

No of male adults – age 60 and under 65
No of female adults – age 60 and under 65

A046 – No of adults – age 65 and under 70

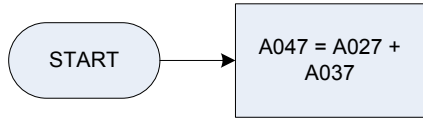


KEY

A026
A036

No of male adults – age 65 and under 70
No of female adults – age 65 and under 70

A047 – Number of adults – age 70 and over

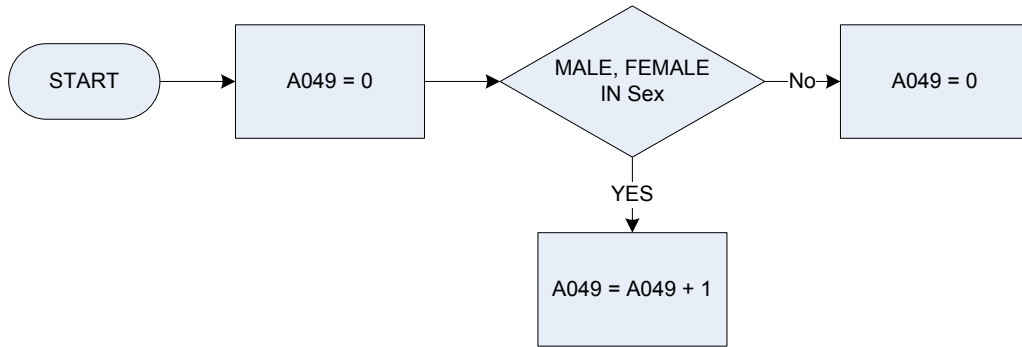


KEY

A027
A037

No of male adults – age 70 and over
No of female adults – age 70 and over

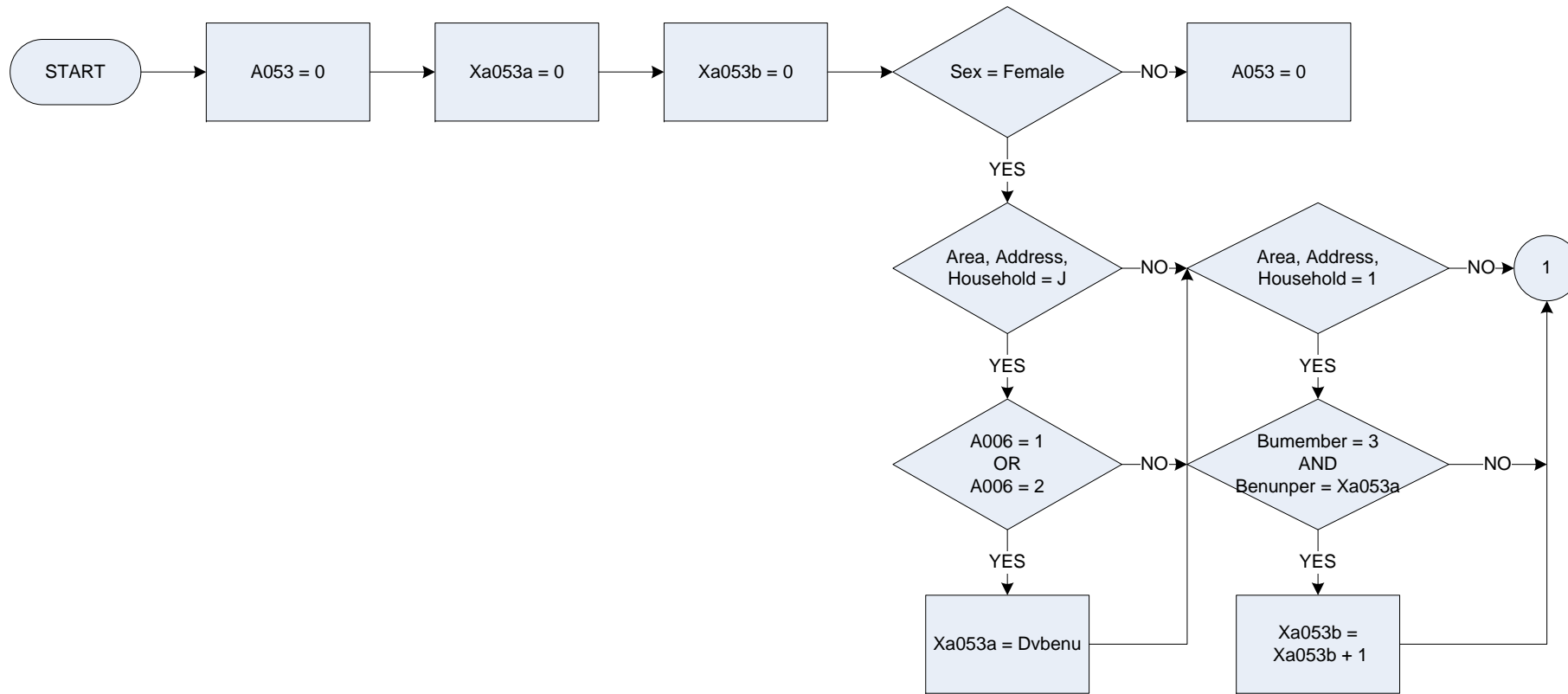
A049 – Number of persons in household



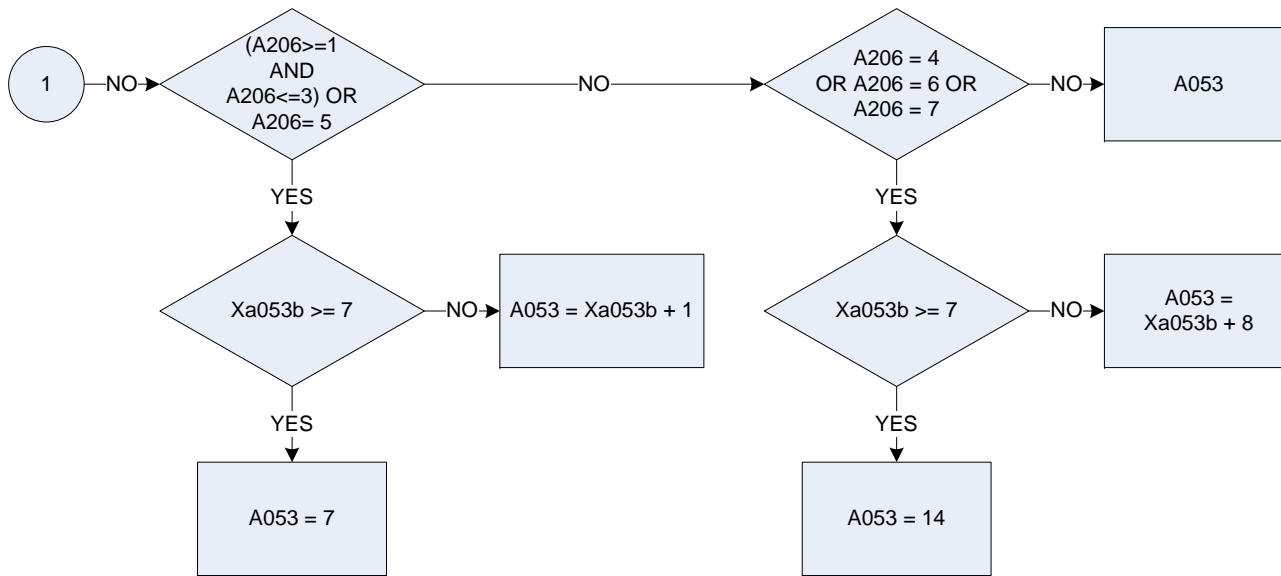
KEY

Sex Sex
1 Male
2 Female

A053 – Households with married women (econ active)



A053 – Households with married women (econ active)



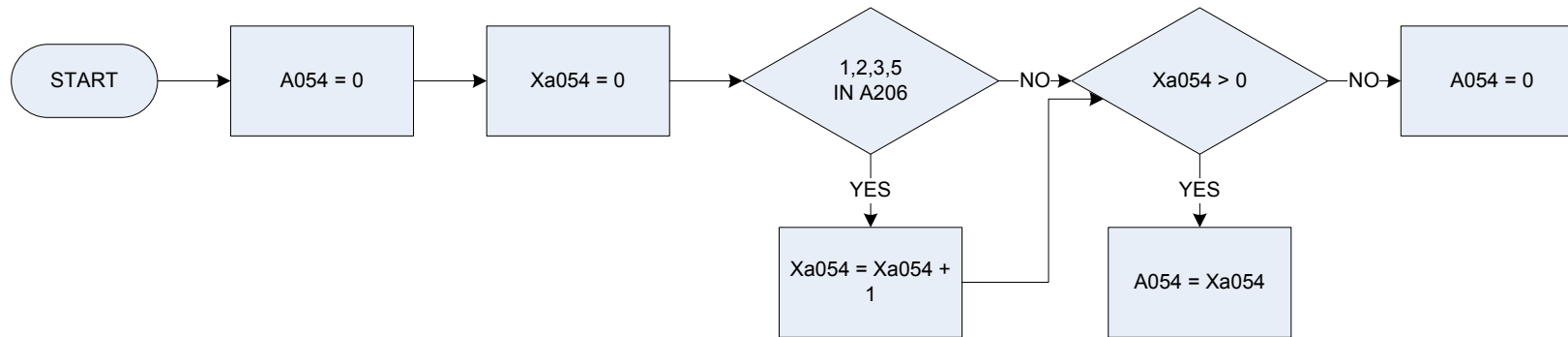
KEY

A006	Marital status
1	Spouse in household
2	Spouse not household
3	Cohabitee
4	Single
5	Widowed
6	Divorced
7	Separated
8	Civil Partner in household
9	Civil Partner not in household
10	Former Civil Partner

A206	Economic position
0	Not recorded
1	Self-employed
2	Full-time employee at work
3	Part-time employee at work
4	Unemployed
5	Work related Government Training Programmes
6	Retired/unoccupied and of minimum NI Pension age
7	Retired/unoccupied but under minimum NI Pension age

Address	Address Number
Area	Area Number
Benunper	Benefit unit reference number
Bumember	Benefit unit member
Sex	Sex
	1 Male
	2 Female
Household	
Xa053a	Temporary variable
Xa053b	Temporary variable

A054 - Number of workers in household



KEY

A206

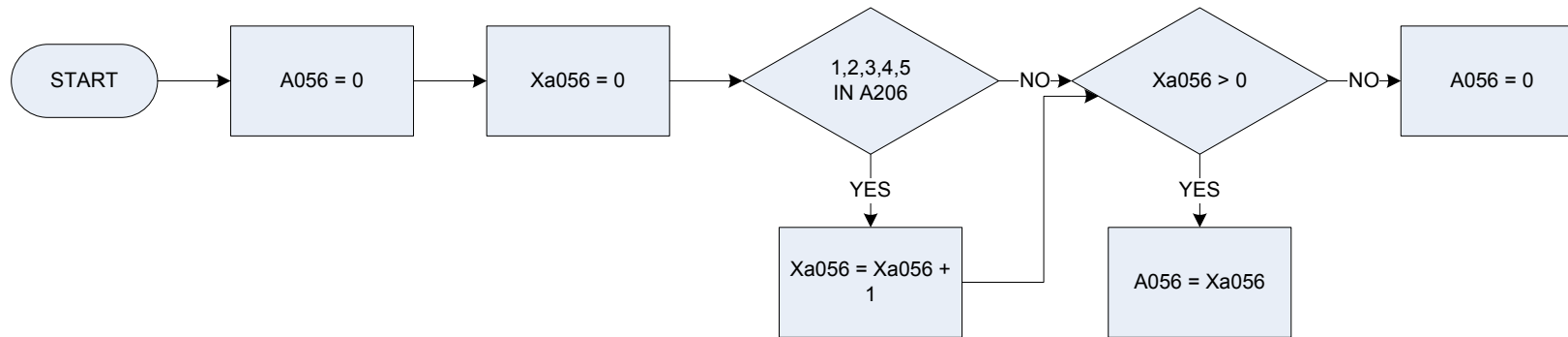
Economic position

- 0 Not recorded
- 1 Self-employed
- 2 Full-time employee
- 3 Part-time employee
- 4 Unemployed
- 5 Work related Government Training Programmes
- 6 Retired/unoccupied and of minimum NI Pension age
- 7 Retired/Unoccupied and under minimum NI Pension age

Xa054

Temporary variable used in calculations - Calculates number of workers in household (i.e. Self-employed, Full/Part-time employee or Government Training Programmes)

A056 - Number of persons economically active



KEY

A206

Economic position

0 Not recorded

1 Self-employed

2 Full-time employee

3 Part-time employee

4 Unemployed

5 Work related Government Training Programmes

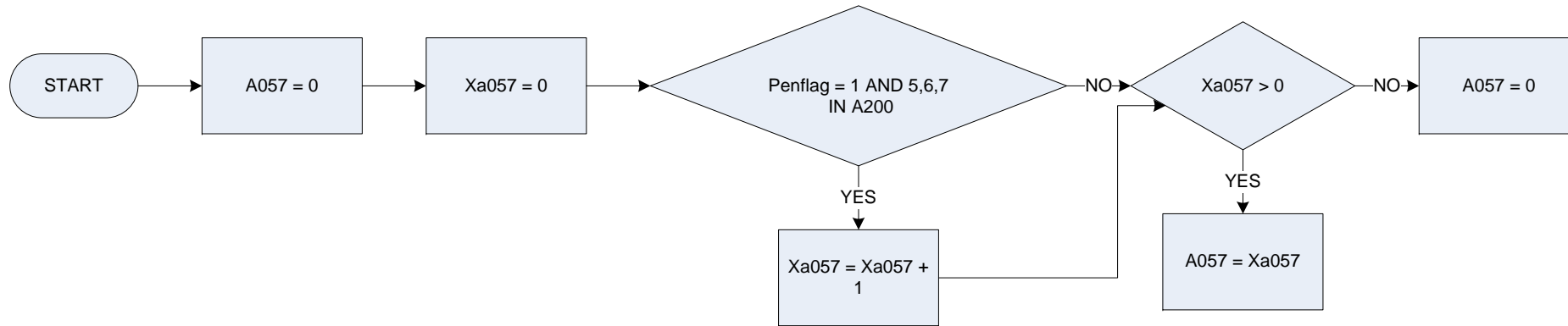
6 Retired/unoccupied and of minimum NI Pension age

7 Retired/Unoccupied and under minimum NI Pension age

Xa056

Temporary variable used in calculations - Calculates number of persons economically active in household (i.e. Self-employed, Full/Part time employed, Unemployed or Government Training Programme)

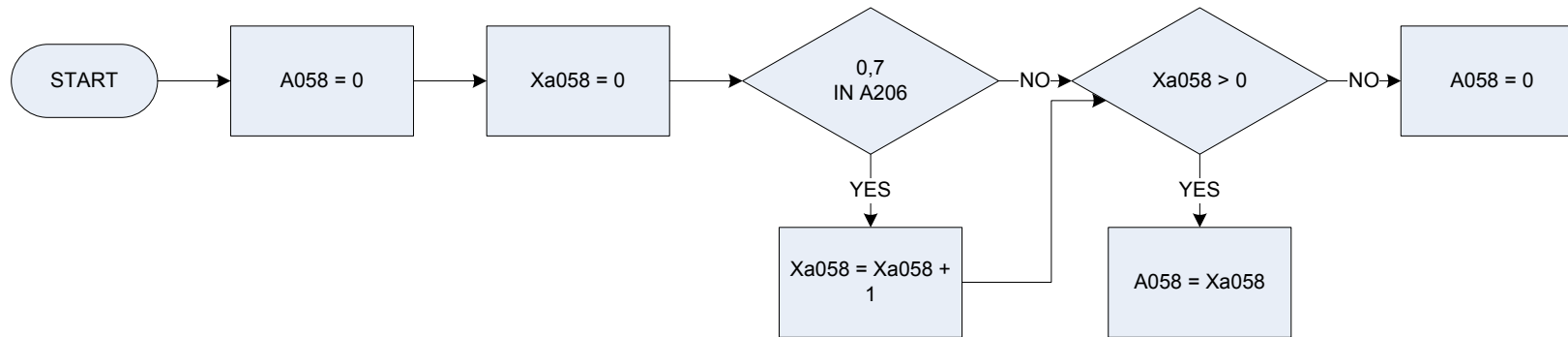
A057 – Adults of pension age, economically active



KEY

A200	Employment status
0	Not recorded
1	Employee
2	Self-employed or employer
3	Out of employment, seeking work within last 4 weeks & available to start a job
4	Out of employment, waiting to start a job already obtained
5	Sick or injured
6	Retired including Job Release Scheme
7	Unoccupied
Dvage	Derived from Birth and Agelf - Age for whole sample
Penflag	Variable used to calculate pension age – 65 or over for males, dependant on date of birth for females
Sex	Sex
1	Male
2	Female
Xa057	Temporary variable used in calculations

A058 - Others - not economically active



KEY

A206

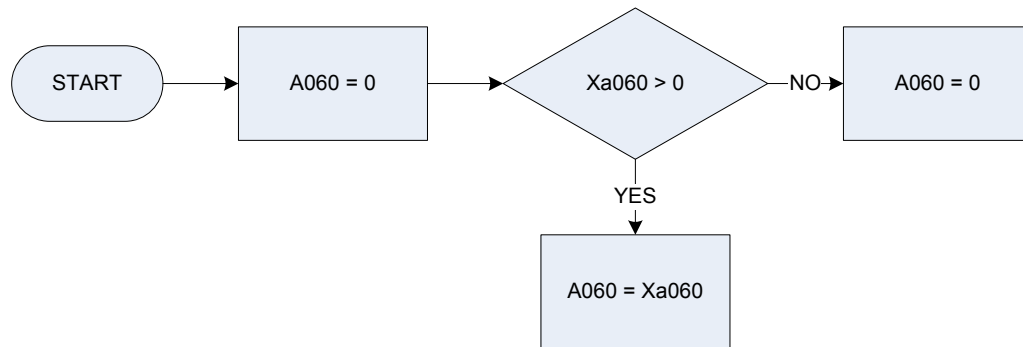
Economic position

- 0 Not recorded
- 1 Self-employed
- 2 Full-time employee
- 3 Part-time employee
- 4 Unemployed
- 5 Work related Government Training Programmes
- 6 Retired/unoccupied and of minimum NI Pension age
- 7 Retired/Unoccupied and under minimum NI Pension age

Xa058

Temporary variable used in calculations –Calculates number of household members not economically active (i.e. Economic position not recorded or retired/unoccupied and under minimum NI Pension age)

A060 - Gross normal income of Household Reference Person (HRP) by range



KEY

A060

Gross normal income of Household Reference Person

0 Not recorded
1 0 - 49.999 pw
2 50 - 59.999 pw
3 60 - 69.999 pw
4 70 - 79.999 pw
5 80 - 89.999 pw
6 90 - 99.999 pw
7 100 - 109.999 pw
8 110 - 119.999 pw
9 120 - 129.999 pw
10 130 - 139.999 pw
11 140 - 149.999 pw
12 150 - 159.999 pw
13 160 - 169.999 pw
14 170 - 179.999 pw
15 180 - 199.999 pw
16 200 - 219.999 pw

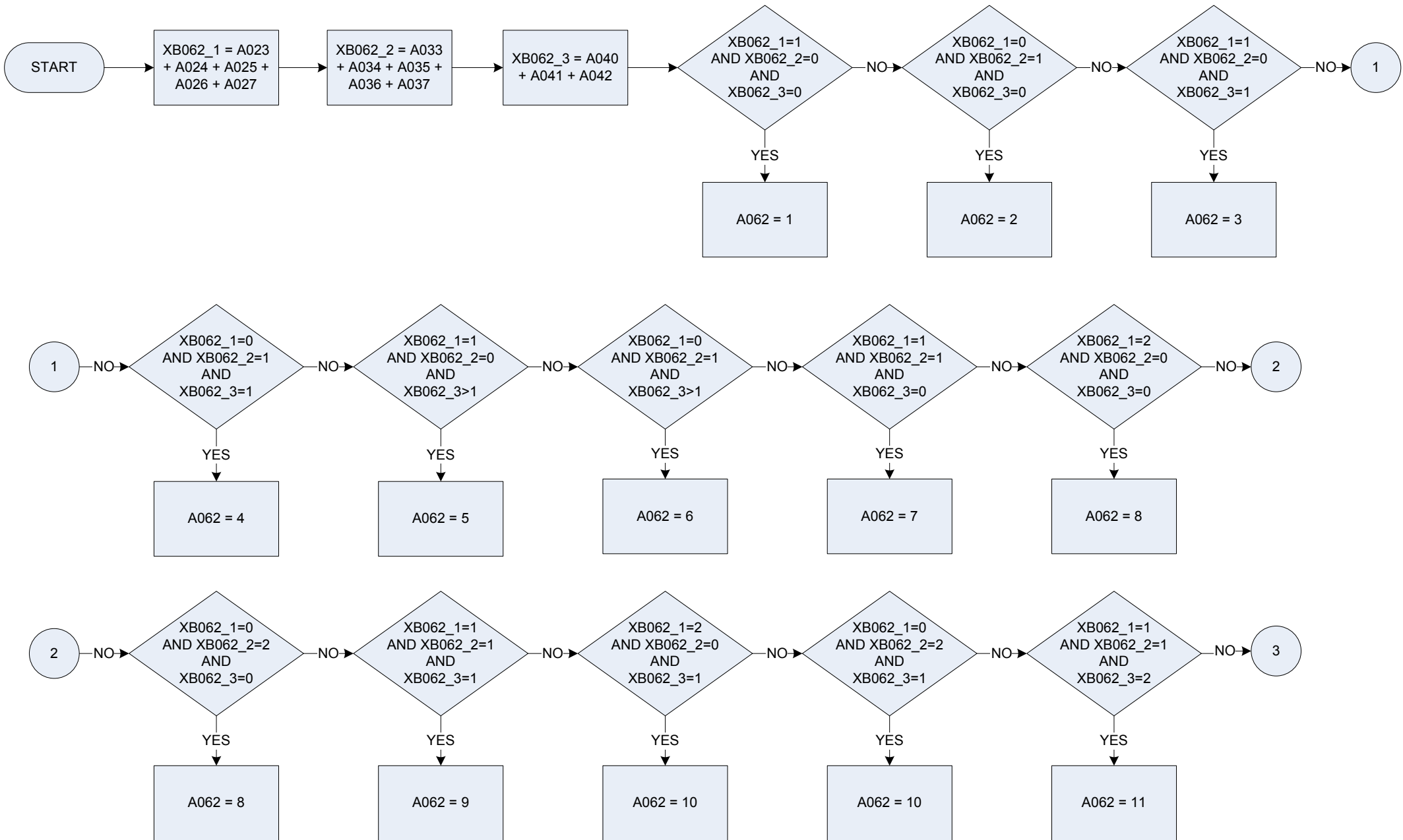
17 220 - 239.999 pw
18 240 - 259.999 pw
19 260 - 279.999 pw
20 280 - 299.999 pw
21 300 - 319.999 pw
22 320 - 339.999 pw
23 340 - 359.999 pw
24 360 - 379.999 pw
25 380 - 399.999 pw
26 400 - 424.999 pw
27 425 - 449.999 pw
28 450 - 474.999 pw
29 475 - 499.999 pw
30 500 - 524.999 pw
31 525 - 549.999 pw
32 550 - 574.999 pw
33 575 - 599.999 pw
34 600 - 624.999 pw

35 625 - 649.999 pw
36 650 - 674.999 pw
37 675 - 699.999 pw
38 700 - 724.999 pw
39 725 - 749.999 pw
40 750 - 774.999 pw
41 775 - 799.999 pw
42 800 - 824.999 pw
43 825 - 849.999 pw
44 850 - 874.999 pw
45 875 - 899.999 pw
46 900 - 924.999 pw
47 925 - 949.999 pw
48 950 - 974.999 pw
49 975 - 999.999 pw
50 1000 or more

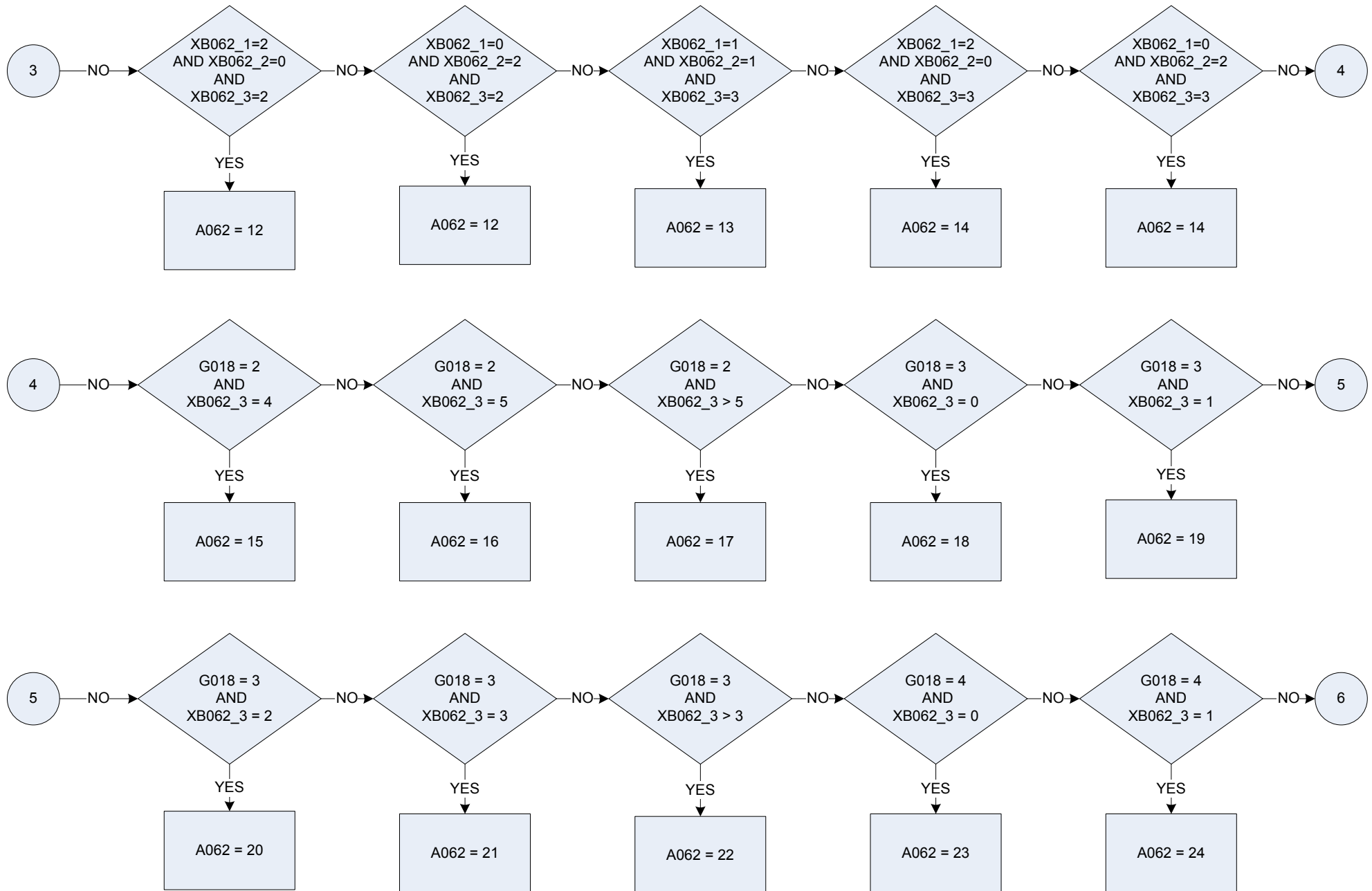
Xa060

Temporary variable used in calculations - Gross normal income of HRP by range

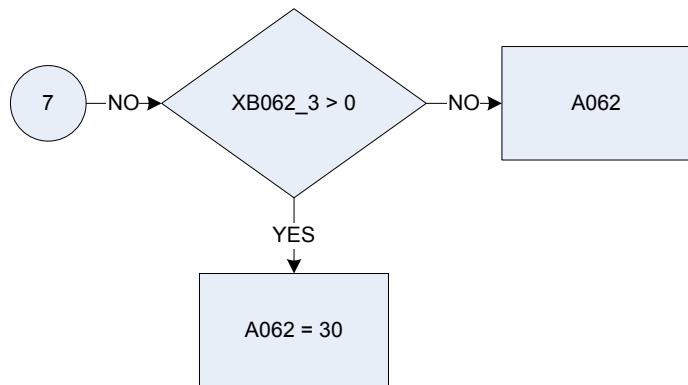
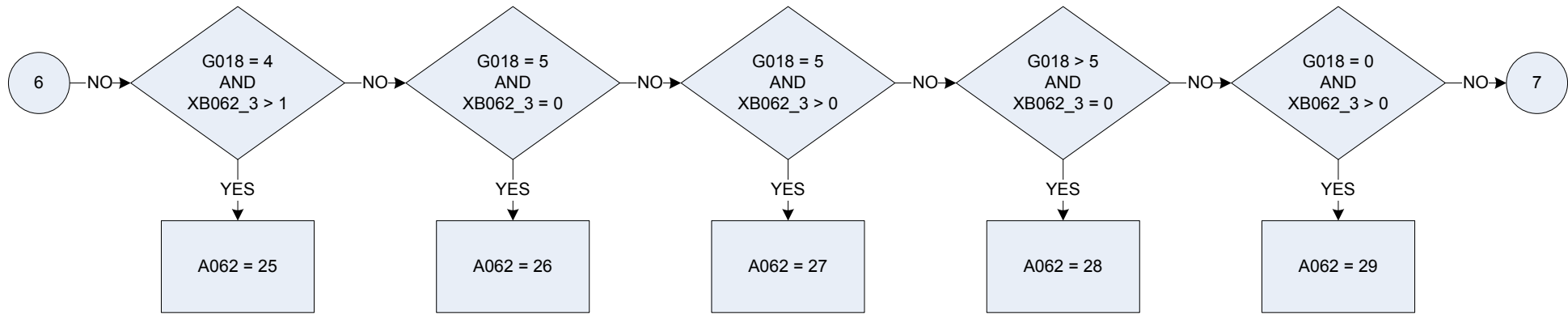
A062 – Composition of household



A062 – Composition of household



A062 – Composition of household



KEY

A062

Composition of Household

- 1 One man
- 2 One woman
- 3 One man; one child
- 4 One woman; one child
- 5 One man; 2+ children
- 6 One woman; 2+ children
- 7 One man and 1 woman
- 8 Two men or two women
- 9 1 man; 1 woman & 1 child
- 10 2 men or 2 women; 1 child
- 11 1 man; 1 woman; 2 children
- 12 2 men or 2 women; 2 children
- 13 1 man; 1 woman; 3 children
- 14 2 men or 2 women; 3 children
- 15 Two adults; 4 children
- 16 Two adults; 5 children
- 17 Two adults; 6+ children
- 18 Three adults
- 19 Three adults; 1 child
- 20 Three adults; 2 children
- 21 Three adults; 3 children
- 22 Three adults; 4+ children
- 23 Four adults
- 24 Four adults; 1 child
- 25 Four adults; 2+ children
- 26 Five adults
- 27 Five adults; 1+ children
- 28 Six or more adults
- 29 Children only
- 30 Other households with children

A023

Number of male adults - age 18 and under 45

A024

Number of male adults - age 45 but under 60

A025

Number of male adults - age 60 but under 65

A026

Number of male adults - age 65 but under 70

A027

Number of male adults - age 70 and over

A033

Number of female adults - age 18 and under 45

A034

Number of female adults - age 45 and under 60

A035

Number of female adults - age 60 but under 65

A036

Number of female adults - age 65 but under 70

A037

Number of female adults - age 70 and over

A040

Number of children age under 2

A041

Number of children age 2 and under 5

A042

Number of children age 5 and under 18

G018

Number of adults

XB062_1

Temporary variable used in calculations - Number of male adults

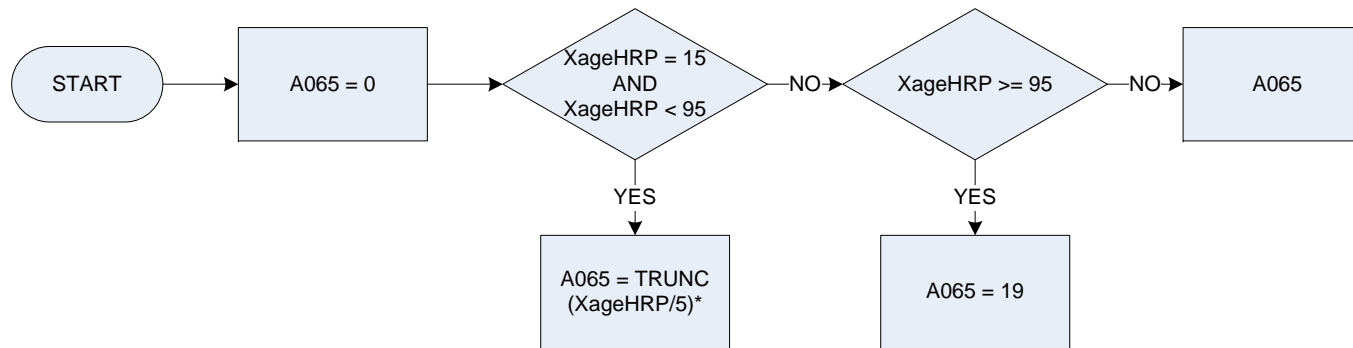
XB062_2

Temporary variable used in calculations - Number of female adults

XB062_3

Temporary variable used in calculations - Number of children

A065 - Age of Household Reference Person (HRP) by range



KEY

* This step takes the age of the HRP, divides it by five and then rounds the resulting number down to an integer ('TRUNC'). E.g. XageHRP = 19; 19/5 = 3.8; this is rounded down to 3 and A065 = "15 but under 20 yrs".

A065

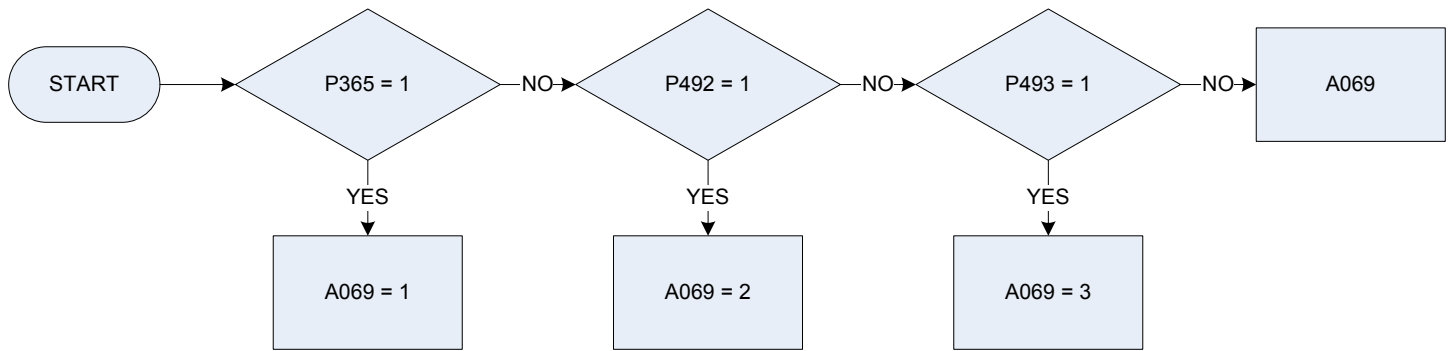
Age of Household Reference Person by range

- 0 Not recorded
- 3 15 but under 20 yrs
- 4 20 but under 25 yrs
- 5 25 but under 30 yrs
- 6 30 but under 35 yrs
- 7 35 but under 40 yrs
- 8 40 but under 45 yrs
- 9 45 but under 50 yrs
- 10 50 but under 55 yrs
- 11 55 but under 60 yrs
- 12 60 but under 65 yrs
- 13 65 but under 70 yrs
- 14 70 but under 75 yrs
- 15 75 but under 80 yrs
- 16 80 but under 85 yrs
- 17 85 but under 90 yrs
- 18 90 but under 95 yrs
- 19 95 and over

XageHRP

Temporary variable used in calculations - Age of HRP

A069 - Type of household



KEY

A069u

Type of household
 1 Pensioner household
 2 Index Household
 3 Wealthy Household

P365u

Pensioner or non-pensioner household

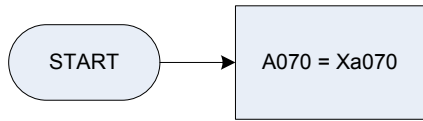
P492u

Index household

P493u

Wealthy household

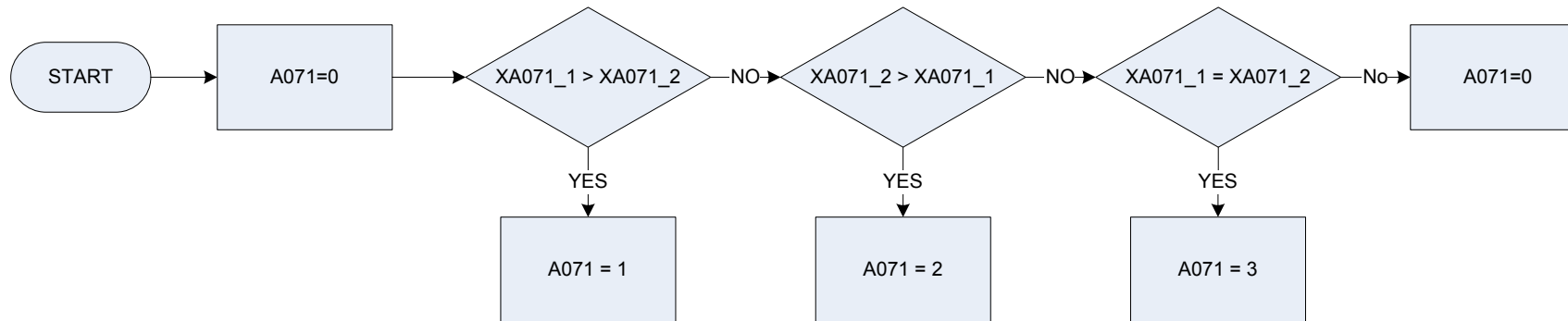
A070 – Age of oldest person in household



KEY

XA070 Temporary variable used in calculations - Age of oldest person in household

A071 – Sex of oldest person in household

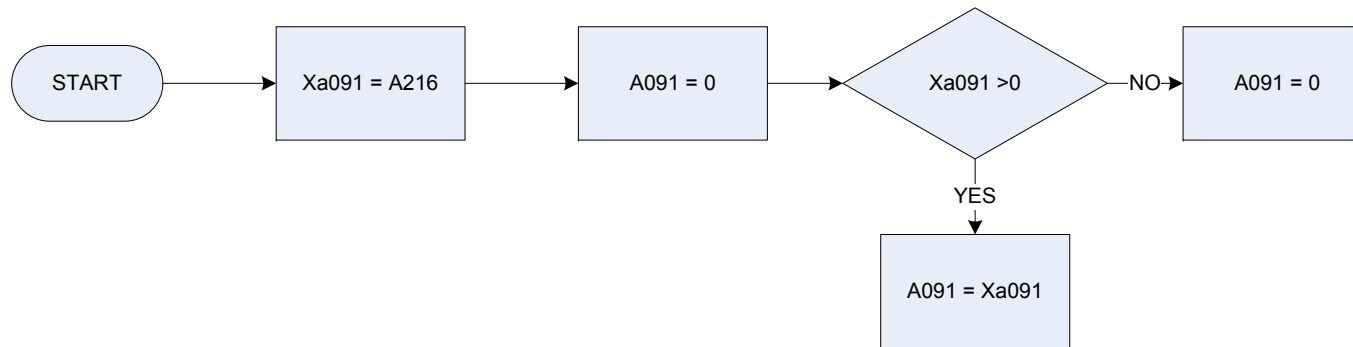


KEY

A071 Sex of oldest person in household
0 Not recorded
1 Highest age - all male
2 Highest age - all female
3 Highest age - mixed sex

XA071 Temporary variable used in calculations - Sex of oldest person in household

A091 - Socio-economic group - household reference person



KEY

A216
A091

Socio-economic group

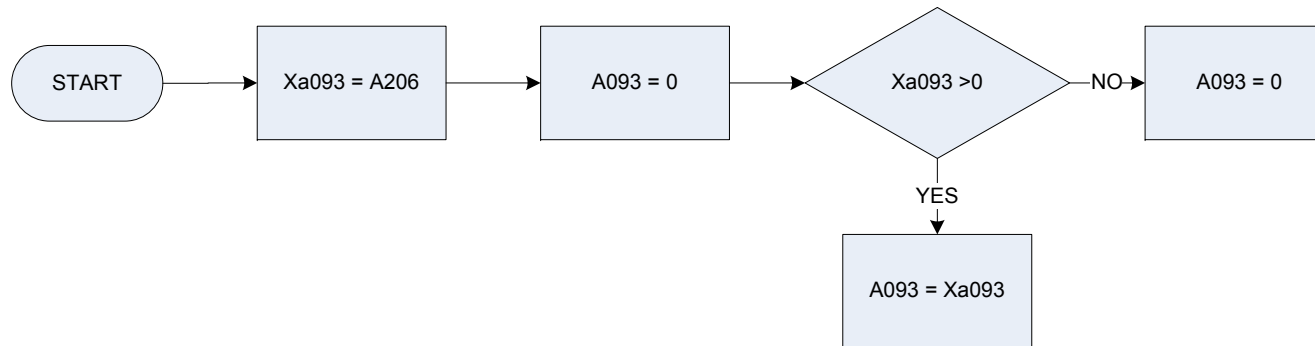
0 Not recorded
 1 Employers in large organisations
 2 Higher managerial
 3 Higher professional (traditional) – emp
 4 Higher professional (new) – employees
 5 Higher professional (traditional) – sel
 6 Higher professional (new) - self-employ
 7 Lower professional & higher technical (t
 8 Lower professional & higher technical (n
 9 Lower professional & higher technical (t
 10 Lower professional & higher technical (n
 11 Lower managerial
 12 Higher supervisory
 13 Intermediate clerical and administrative
 14 Intermediate sales and service
 15 Intermediate technical and auxiliary
 16 Intermediate engineering
 17 Employers (small organisations, non-prof
 18 Employers (small - agricultural)
 19 Own account workers (non-professional)
 20 Own account workers (agriculture)

21 Lower supervisory
 22 Lower technical craft
 23 Lower technical process operative
 24 Semi-routine sales
 25 Semi-routine service
 26 Semi-routine technical
 27 Semi-routine operative
 28 Semi-routine agricultural
 29 Semi-routine clerical
 30 Semi-routine childcare
 31 Routine sales and service
 32 Routine production
 33 Routine technical
 34 Routine operative
 35 Routine agricultural
 36 Never worked
 37 Long-term unemployed
 38 Full-time students
 39 Occupations not stated
 40 Not classifiable for other reasons

Xa091

Temporary variable used in calculations: Socio-economic group of household reference person

A093 - Economic position of household reference person



KEY

A206

Economic position of Household Reference Person (HRP)

- 0 Not recorded
- 1 Self-employed
- 2 Full time employee
- 3 Part time employee
- 4 Unemployed
- 5 Work related government train programme
- 6 Retired unoc over minimum NI age
- 7 Unoc - under minimum NI age

Xa093

Temporary variable used in calculations - Identifies the HRP within the household

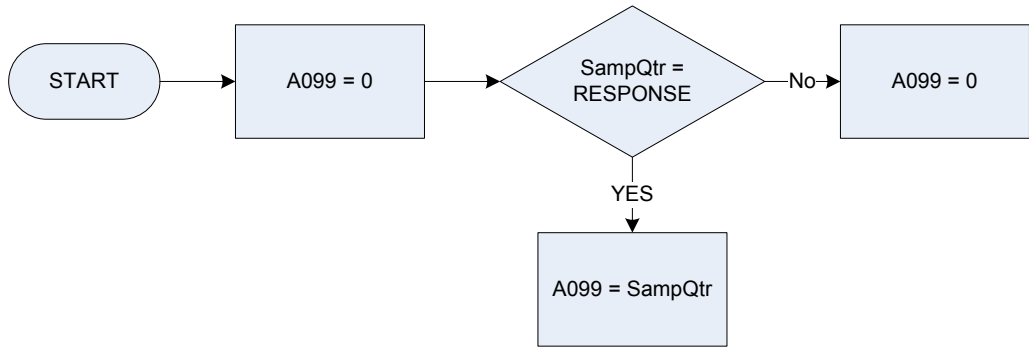
A094 - NS - SEC 8 Class of household reference person

Coded only if A003 = Yes; respondent is HRP

Value for A094 derived from A216, as outlined in table.

A094		A216	
0	Not recorded	0	Not recorded
1	Large Employers & Higher Managerial	1	Employers in large organisations
		2	Higher managerial
2	Higher Professionals	3	Higher professional (traditional) - employees
		4	Higher professional (new) - employees
		5	Higher professional (traditional) - self-employed
		6	Higher professional (new) - self-employed
3	Lower Managerial & Professionals	7	Lower professional & higher technical (traditional) - employees
		8	Lower professional & higher technical (new) - employees
		9	Lower professional & higher technical (traditional) - self-employed
		10	Lower professional & higher technical (new) - self-employed
		11	Lower managerial
		12	Higher supervisory
4	Intermediate	13	Intermediate clerical and administrative
		14	Intermediate sales and service
		15	Intermediate technical and auxiliary
		16	Intermediate engineering
5	Small Employers and Own Account Workers	17	Employers (small organisations, non-professional)
		18	Employers (small - agricultural)
		19	Own account workers (non-professional)
		20	Own account workers (agriculture)
6	Lower Supervisory & Technical	21	Lower supervisory
		22	Lower technical craft
		23	Lower technical process operative
7	Semi-Routine	24	Semi-routine sales
		25	Semi-routine service
		26	Semi-routine technical
		27	Semi-routine operative
		28	Semi-routine agricultural
		29	Semi-routine clerical
		30	Semi-routine childcare
		31	Routine sales and service
8	Routine	32	Routine production
		33	Routine technical
		34	Routine operative
		35	Routine agricultural
		36	Never worked
9	Never Worked and Long-Term Unemployed	37	Long-term unemployed
		38	Full-time students
10	Students	39	Occupations not stated
11	Occupation not stated	40	Not classifiable for other reasons
12	Not classifiable for other reasons		

A099 – Quarter



KEY

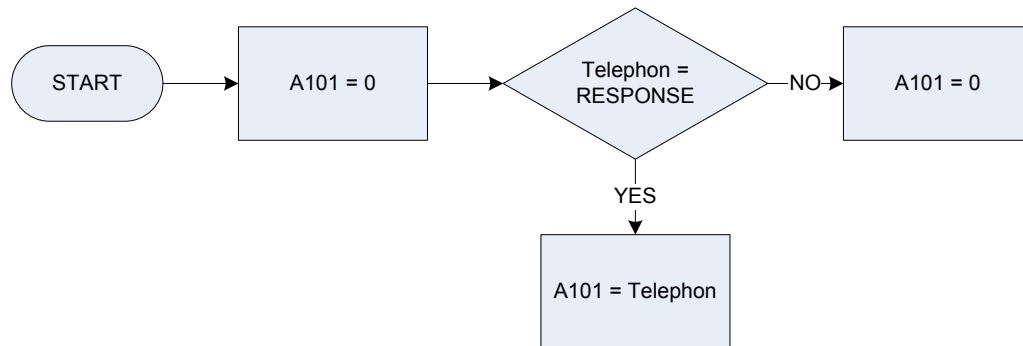
A099

- Sample quarter
1 *January to March*
2 *April to June*
3 *July to September*
4 *October to December*

SampQtr

Sample quarter

A101 – Telephone and/or mobile in household

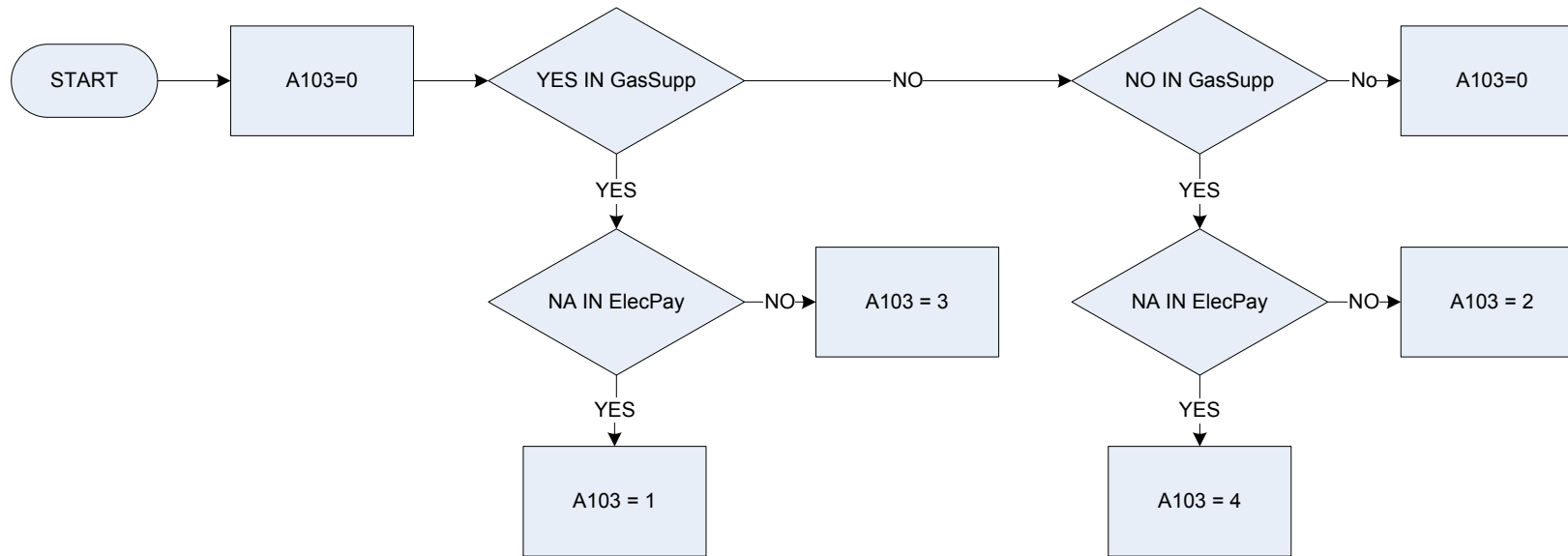


KEY

A101 Telephone and/or mobile in household
0 Not recorded
1 Fixed Telephone
2 Mobile Telephone
3 Fixed and Mobile telephone
4 No telephone present

Telephon Does your household have any of the following items in your (part of the) accommodation?
1 Yes, fixed telephone
2 Yes, mobile telephone
3 Yes, fixed and mobile telephone
4 No

A103 – Gas/electric supplied to accommodation



KEY

A103

Gas Electric supplied to accommodation

- 0** Not recorded
- 1** Gas only
- 2** Electricity only
- 3** Gas & electricity
- 4** No gas electricity

Elecpay

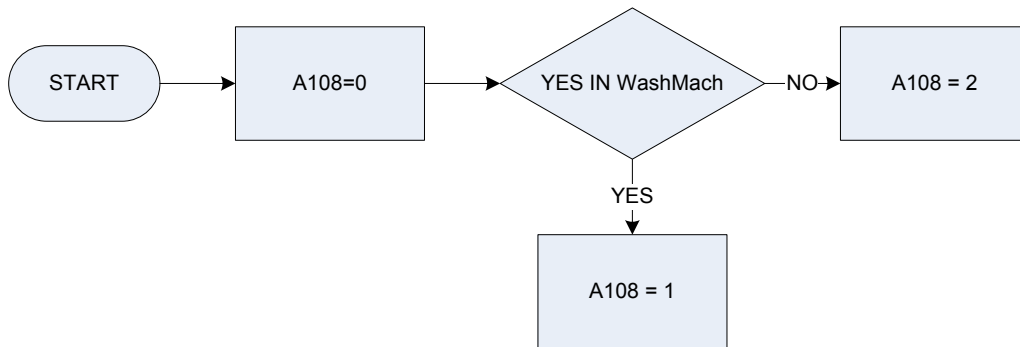
Electricity – method of payment

- Ddbt** Direct debit
- Stndord** Standing order
- Qtrbill** Monthly/quarterly bill
- Prepay** Pre-payment (keycard or token) meters
- Inrent** Included in rent
- Freqpay** Frequent cash payment method (i.e. more frequent than once a month)
- Fueldir** Fuel direct/direct from benefits
- FxAnBil** Fixed Annual Bill (however much gas/electricity is used) e.g. StayWarm
- Othmetg** Other
- NA** Not applicable
- Dknw** Don't know

GasSupp

Does the respondent have gas supplied to their (part of this) house/flat?

A108 – Washing machine in household

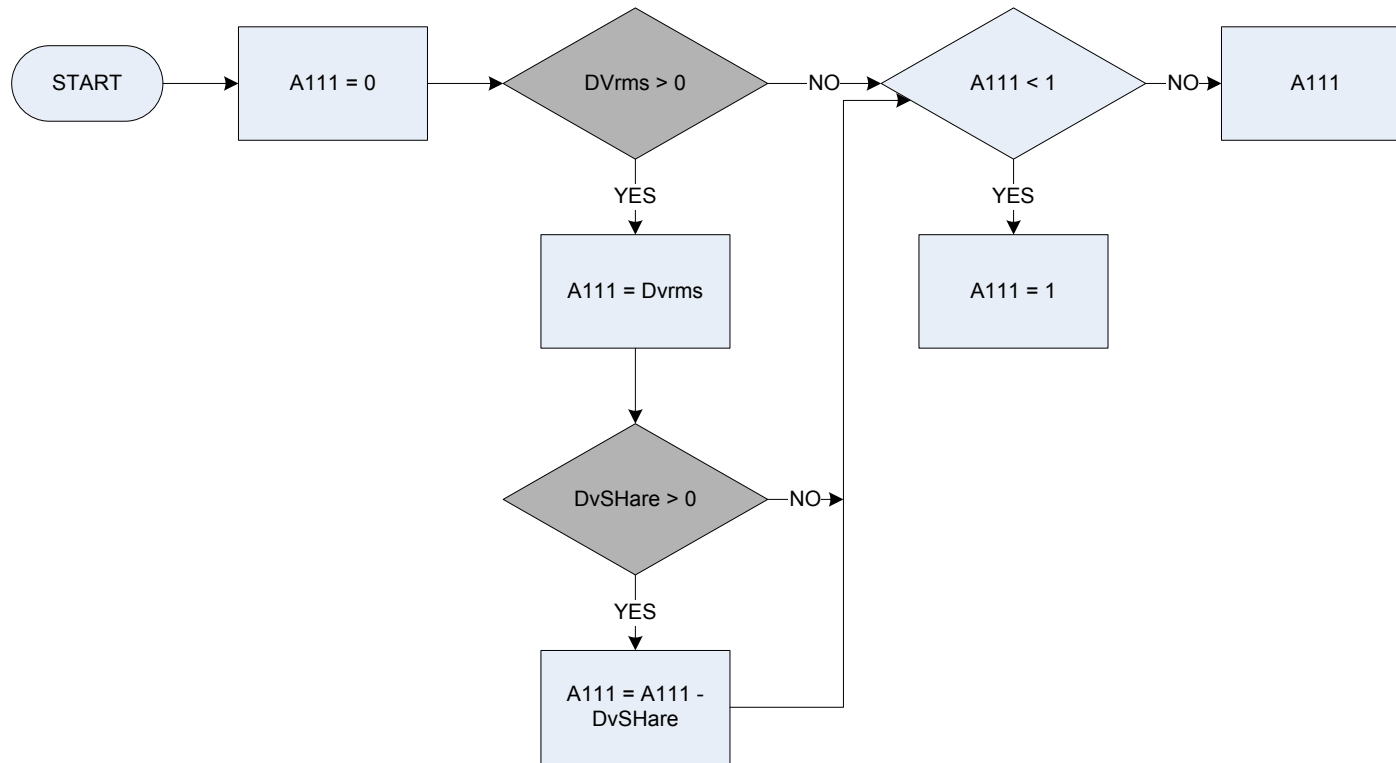


KEY

WashMach

Does the household have a washing machine?

A111 – Rooms used solely by household

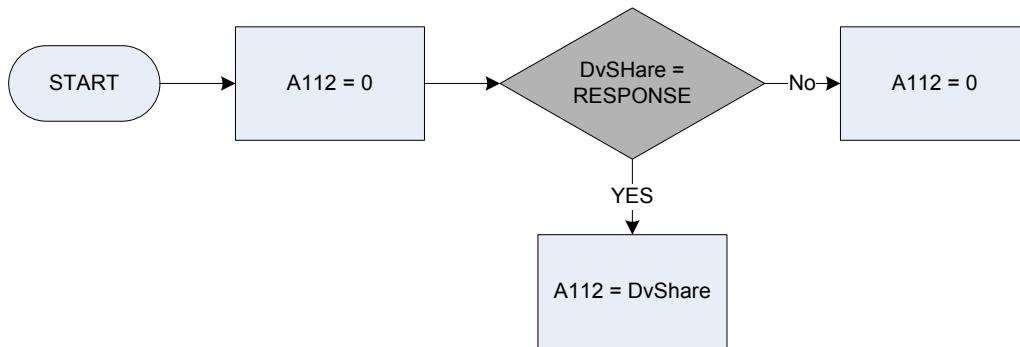


KEY

DVrms
DvShare

Derived Variable for total number of rooms, excluding small kitchens and bathrooms
Derived Variable for total number of shared rooms, excluding small kitchens and bathrooms

A112 – Rooms shared by household

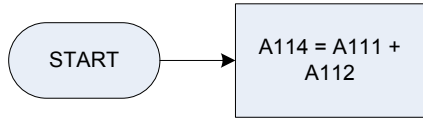


KEY

DvShare

Derived Variable for the total number of shared rooms, excluding small kitchens and bathrooms

A114 – Rooms in accommodation - total

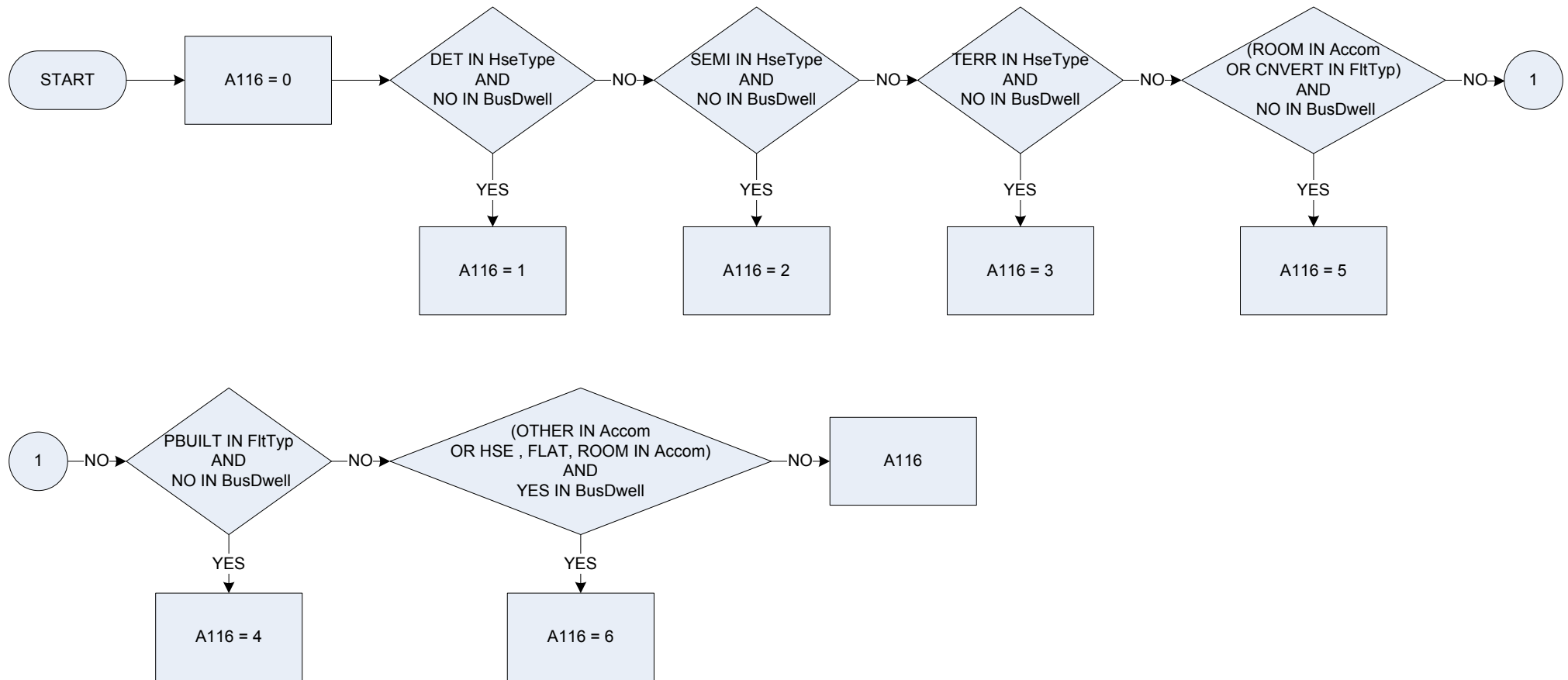


KEY

A111
A112

Rooms used solely by household
Rooms shared in accommodation - total

A116 – Category of dwelling



KEY

A116

Category of dwelling

- 0** Not Recorded
- 1** Whole house, bungalow-detached
- 2** Whole house, bungalow-semi-detached
- 3** Whole house, bungalow-terraced
- 4** Purpose-built flat maisonette
- 5** Part of house converted flat
- 6** Others

Accom

Please code the household's accommodation

- Hse** a house or bungalow
- Flat** a flat or maisonette
- Room** a room/rooms
- Other** other

BusDwell

Is the address attached to business premises

- Yes** Yes
- No** No

HseType

Is it (the house or bungalow):

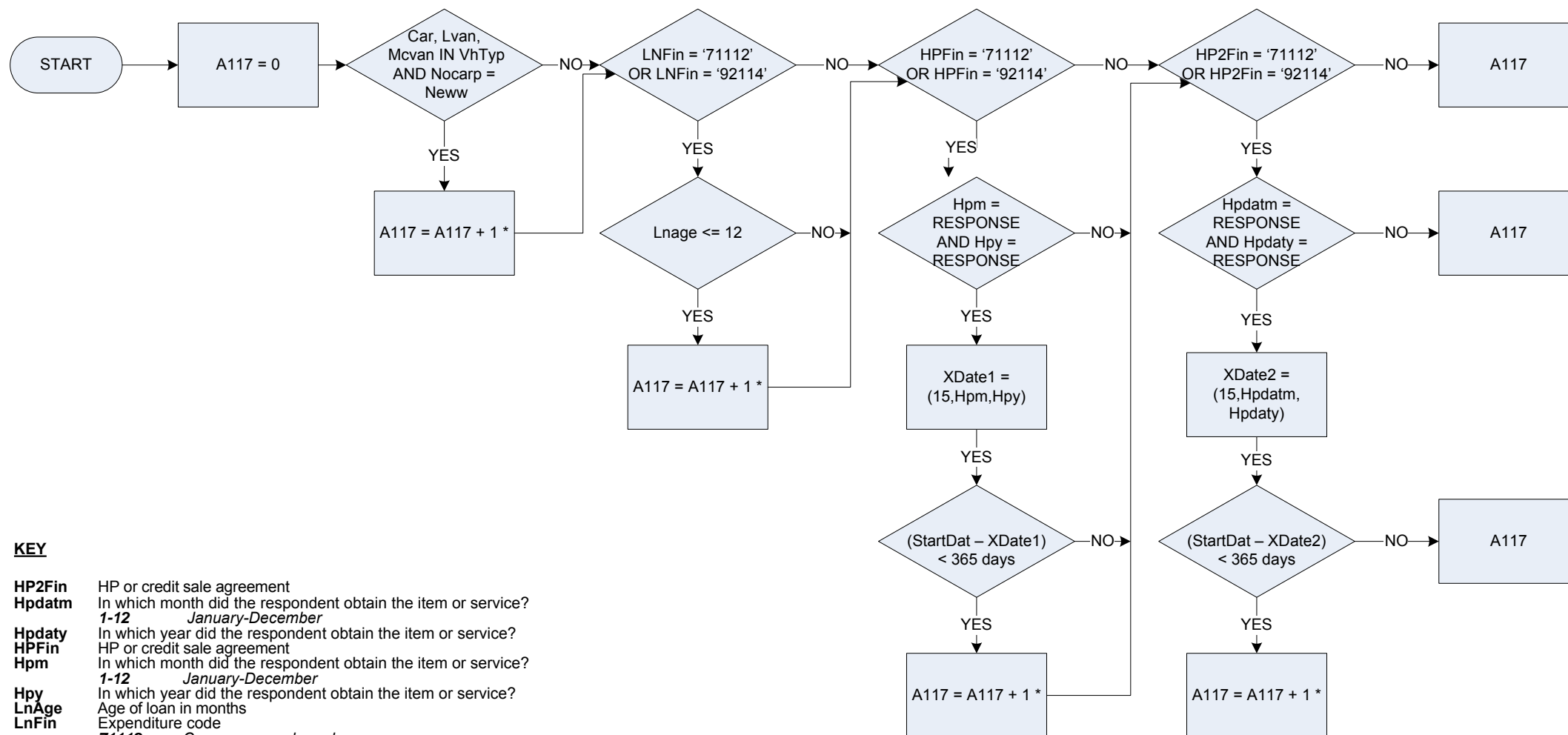
- Det** detached;
- Semi** semi-detached;
- Terr** or terraced/ end of terrace?

FitTyp

Is it (the flat/maisonette):

- PBuilt** a purpose-built block,
- Cnvert** a converted house/some other kind of building

A117 – Number of new cars/vans bought in last 12 months

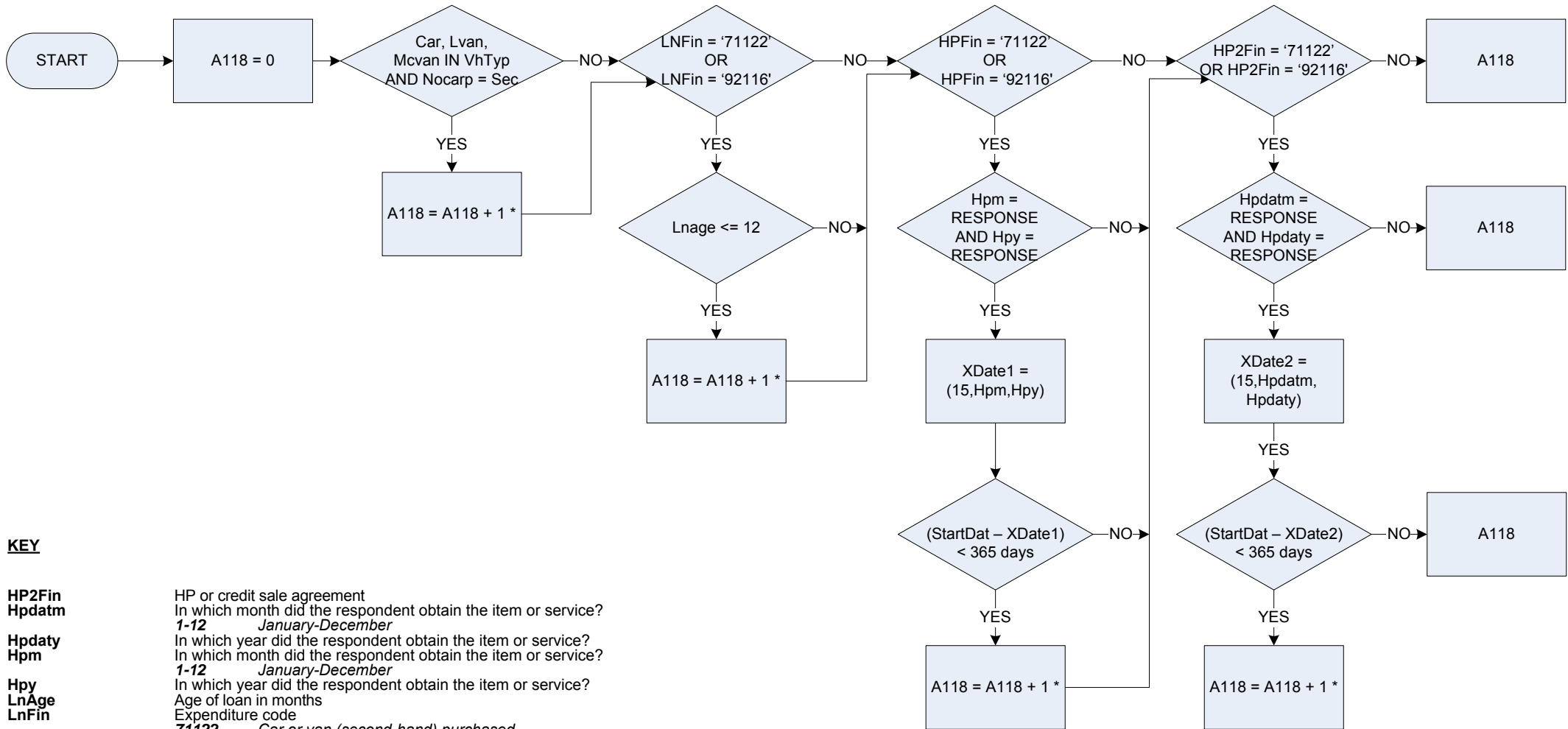


KEY

HP2Fin	HP or credit sale agreement
Hpdatm	In which month did the respondent obtain the item or service? 1-12 January-December
Hpdaty	In which year did the respondent obtain the item or service?
HPFin	HP or credit sale agreement
Hpm	In which month did the respondent obtain the item or service? 1-12 January-December
Hpy	In which year did the respondent obtain the item or service?
LnAge	Age of loan in months
LnFin	Expenditure code 71112 Car or van purchased 92114 Purchase of motor caravan new (second-hand) – outright
Nocarp	Was the vehicle new or second-hand? New New Sec Second-hand
Startdat	Date of interview
VhTyp	Was the respondent's vehicle: car a car lvan a light van mcycle a motor cycle mcvan a motor caravan other some other motor vehicle

*If the household has bought more than one car by any of these methods then these are all added to the total amount for A117

A118 – Number of second-hand cars/vans bought in last 12 months

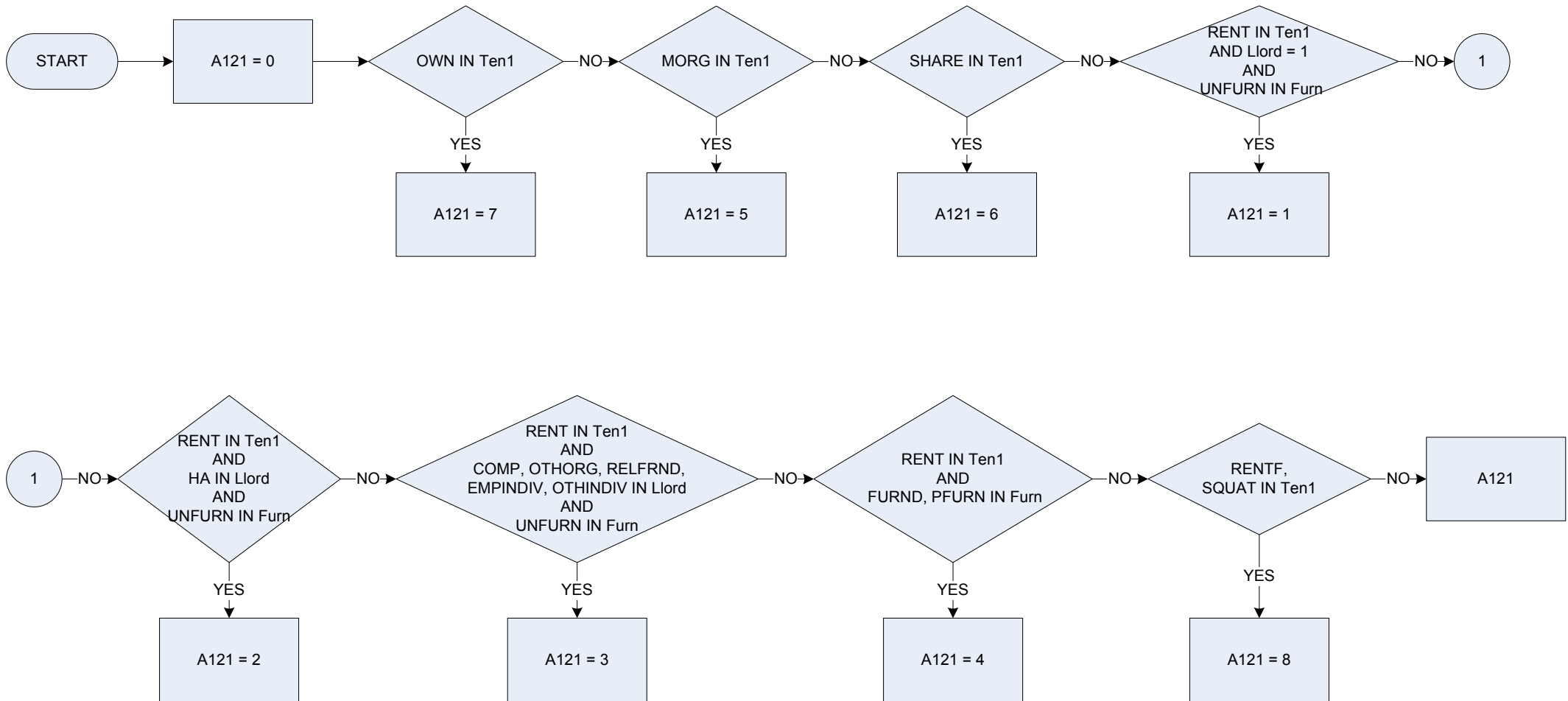


KEY

- HP2Fin** HP or credit sale agreement
- Hpdatm** In which month did the respondent obtain the item or service?
1-12 January-December
- Hpdatay** In which year did the respondent obtain the item or service?
- Hpm** In which month did the respondent obtain the item or service?
1-12 January-December
- Hpy** In which year did the respondent obtain the item or service?
- LnAge** Age of loan in months
- LnFin** Expenditure code
- 71122** Car or van (second-hand) purchased
- 92116** Purchase of motor caravan (second-hand) – outright
- Nocarp** Was the vehicle new or second-hand?
New New
Sec Second-hand
- Startdat** Date of interview
- Vtyp** Was the respondent's vehicle:
car a car
lvan a light van
mcycle a motor cycle
mcvan a motor caravan
other some other motor vehicle

*If the household has bought more than one second-hand car by any of these methods then these are all added to the total amount for A118

A121 – Tenure type

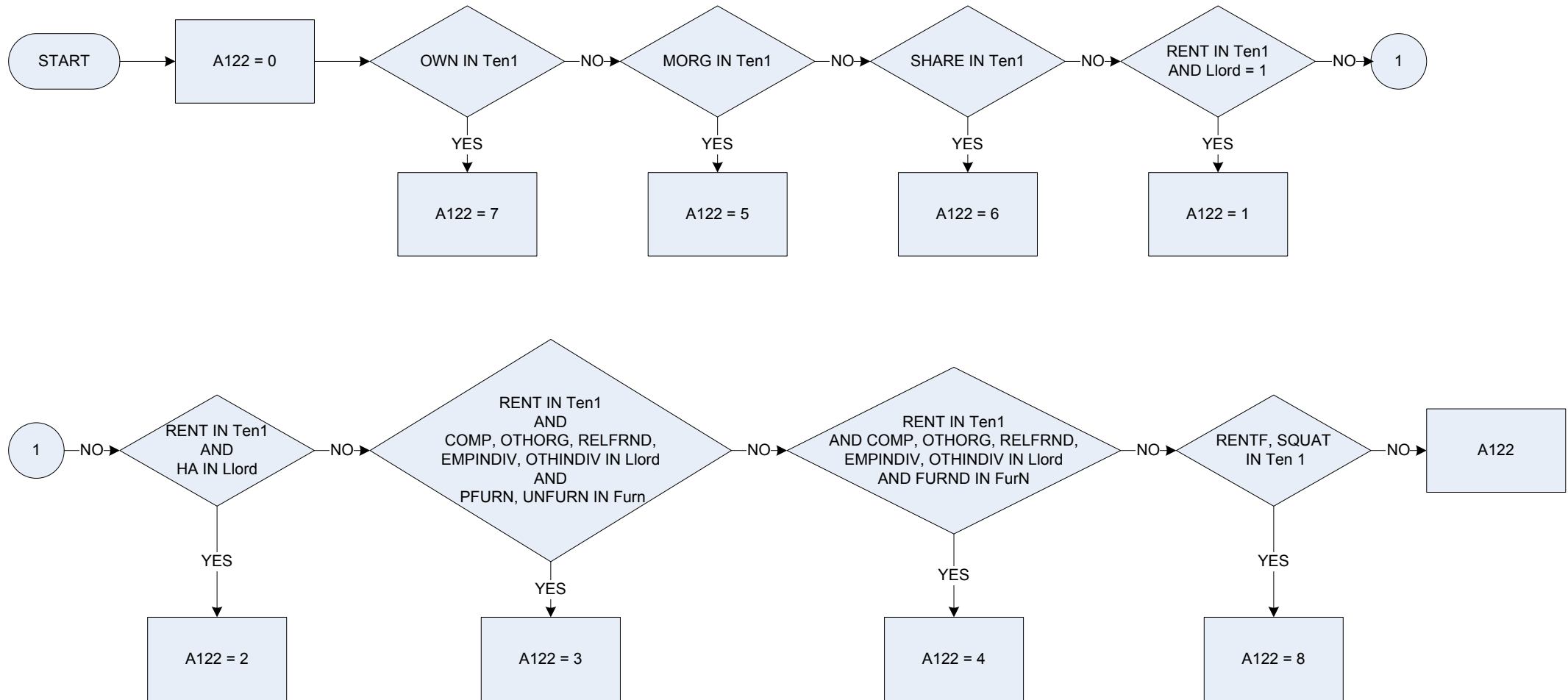


A121 – Tenure type

KEY

A121	Tenure type	
	0	<i>Not Recorded</i>
	1	<i>Local authority rented unfurn</i>
	2	<i>Housing association</i>
	3	<i>Other rented unfurnished</i>
	4	<i>Rented furnished</i>
	5	<i>Owned with mortgage</i>
	6	<i>Owned by rental purchase</i>
	7	<i>Owned outright</i>
	8	<i>Rent free</i>
Furn	Is the accommodation provided:	
	Furnd	<i>furnished,</i>
	PFurn	<i>partly furnished (e.g. carpets and curtains only)</i>
	UnFurn	<i>or unfurnished?</i>
LLord	Who is the respondent's Landlord?	
	LA	<i>the local authority/council/Scottish Homes?</i>
	HA	<i>a housing association, charitable trust or Local Housing Company?</i>
	Comp	<i>employer (organisation) of a household member?</i>
	OthOrg	<i>another organisation?</i>
	RelFrnd	<i>relative/friend (before you lived here) of a household member?</i>
	Emplndiv	<i>employer (individual) of a household member?</i>
	OthIndiv	<i>another individual private landlord?</i>
Ten1	In which of these ways does the respondent occupy this accommodation?	
	Own	<i>Own it outright</i>
	Morg	<i>Buying it with the help of a mortgage or loan</i>
	Share	<i>Pay part rent and part mortgage (shared ownership)</i>
	Rent	<i>Rent it</i>
	RentF	<i>Live here rent-free (including rent-free in relative's/friend's property; excluding squatting)",</i>
	Squat	<i>Squatting</i>

A122 – Tenure type - harmonised

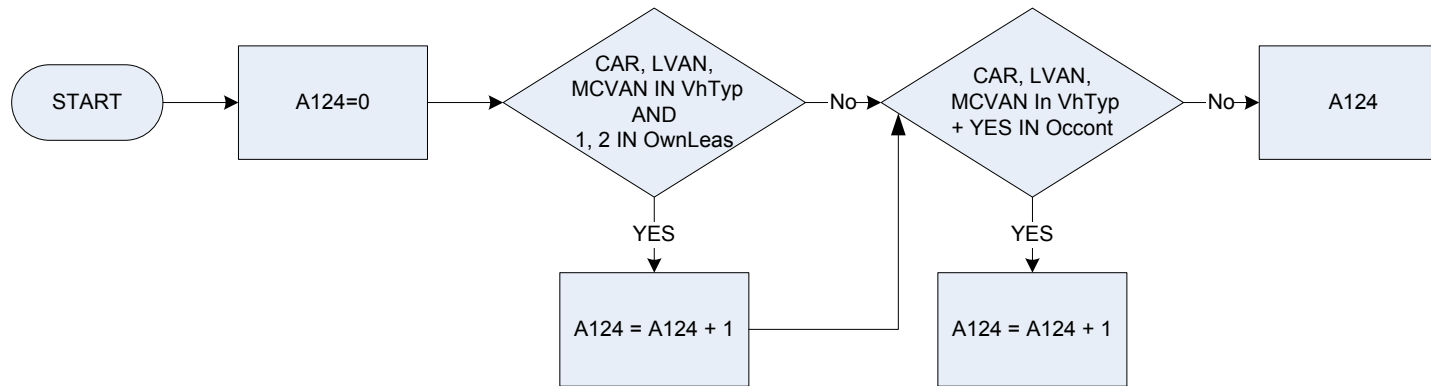


A122 – Tenure type - harmonised

KEY

A122	Tenure type – harmonised
	0 <i>Not Recorded</i>
	1 <i>LA (furnished unfurnished)</i>
	2 <i>Housing Assn (furnished unfurnished)</i>
	3 <i>Priv. rented (unfurnished)</i>
	4 <i>Priv. rented (furnished)</i>
	5 <i>Owned with mortgage</i>
	6 <i>Owned by rental purchase</i>
	7 <i>Owned outright</i>
	8 <i>Rent free</i>
Furn	Is the accommodation provided:
	Furnd <i>furnished</i>
	PFurn <i>partly furnished (e.g. carpets and curtains only)</i>
	UnFurn <i>unfurnished</i>
LLord	Who is the respondent's Landlord?
	LA <i>the local authority/council/Scottish Homes</i>
	HA <i>a housing association, charitable trust or Local Housing Company</i>
	Comp <i>employer (organisation) of a household member</i>
	OthOrg <i>another organisation</i>
	RelFrnd <i>relative/friend (before you lived here) of a household member</i>
	EmplIndiv <i>employer (individual) of a household member</i>
	OthIndiv <i>another individual private landlord</i>
Ten1	In which of these ways does the respondent occupy this accommodation?
	Own <i>Own it outright</i>
	Morg <i>Buying it with the help of a mortgage or loan</i>
	Share <i>Pay part rent and part mortgage (shared ownership)</i>
	Rent <i>Rent it</i>
	RentF <i>Live here rent-free (including rent-free in relative's/friend's property; excluding squatting)</i>
	Squat <i>Squatting</i>

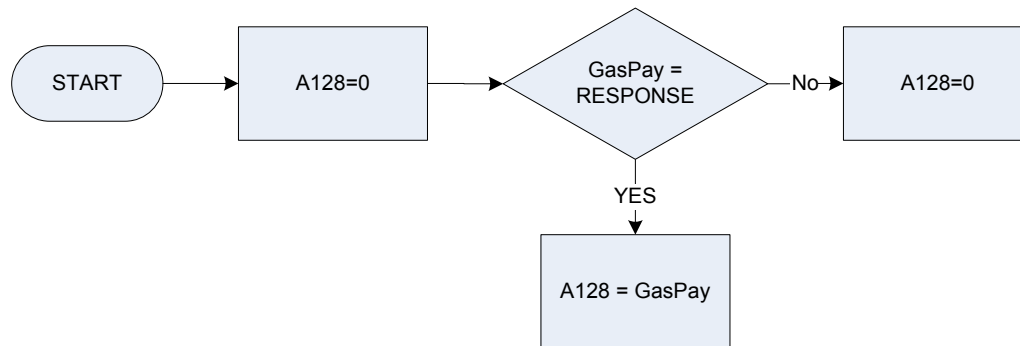
A124 – Cars and vans in household



KEY

Occont	Does the respondent have continuous use of the vehicle at present?
1	Yes
2	No
Ownleas	Is the vehicle privately owned or leased at present?
Own	Privately owned at present
Leas	Privately leased at present
VhTyp	Was the respondent's vehicle:
car	a car
lvan	a light van
mcycle	a motor cycle
mcvan	a motor caravan
other	or some other motor vehicle?

A128 – Gas – method of payment

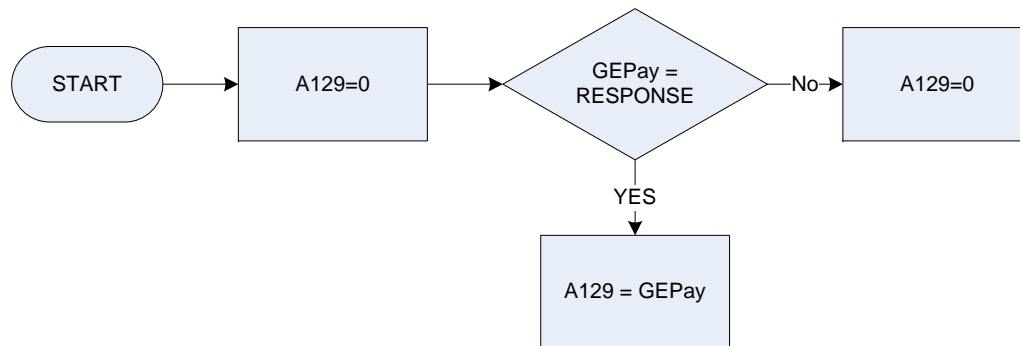


KEY

A128	Gas - method of payment
0	<i>Not recorded</i>
1	<i>Direct debit</i>
2	<i>Standing order</i>
3	<i>Monthly quarterly bill</i>
4	<i>Pre-payment (keycard or token) meters</i>
5	<i>Included in rent</i>
6	<i>Frequent cash payment method (i.e. more frequent than once a month)</i>
7	<i>Fuel direct direct from benefits</i>
8	<i>Fixed Annual Bill (however much gas/electricity is used) e.g. StayWarm</i>
9	<i>Other (Please specify)</i>
99	<i>Don't know</i>

Gaspay	By which of the methods on this card does the respondent pay for their gas?
Ddbt	<i>Direct debit</i>
Stndord	<i>Standing order</i>
Qtrbill	<i>Monthly/quarterly bill</i>
Prepay	<i>Pre-payment (keycard or token) meters</i>
Inrent	<i>Included in rent</i>
Freqpay	<i>Frequent cash payment method (i.e. more frequent than once a month)</i>
Fueldir	<i>Fuel direct/direct from benefits</i>
FxAnBil	<i>Fixed Annual Bill (however much gas/electricity is used) e.g. StayWarm</i>
Othmetg	<i>Other (Please specify)</i>
Dknw	<i>Don't know</i>

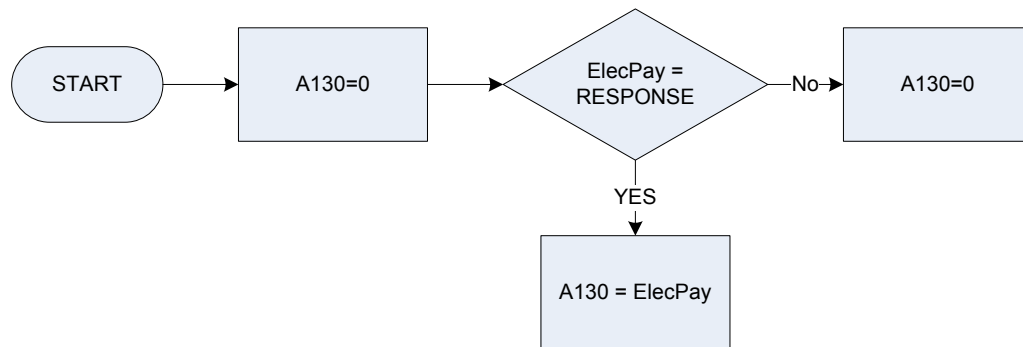
A129 – Combined gas and electricity – method of payment



KEY

A129	Combined gas and electricity - method of payment
0	Not recorded
1	Direct debit
2	Standing order
3	Monthly quarterly bill
4	Pre-payment (keycard or token) meters
5	Included in rent
6	Frequent cash payment method (i.e. more
7	Fuel direct direct from benefits
8	Fixed Annual Bill (however much gas elec
9	Other
10	Paid direct by someone outside household (except DWP)
88	Not applicable
99	Don't know
GEPay	By which of these methods does the respondent pay for their gas and electricity at this house/flat...
Ddbt	Direct debit
Stndord	Standing order
Qtrbill	Monthly/quarterly bill
Prepay	Pre-payment (keycard or token) meters
Inrent	Included in rent
Freqpay	Frequent cash payment method (i.e. more frequent than once a month)
Fueldir	Fuel direct/direct from benefits
FxAnBil	Fixed Annual Bill (however much gas/electricity is used) e.g. StayWarm
Othmetg	Other (Please specify)
NA	Not applicable
Dknw	Don't know

A130 – Electricity – method of payment

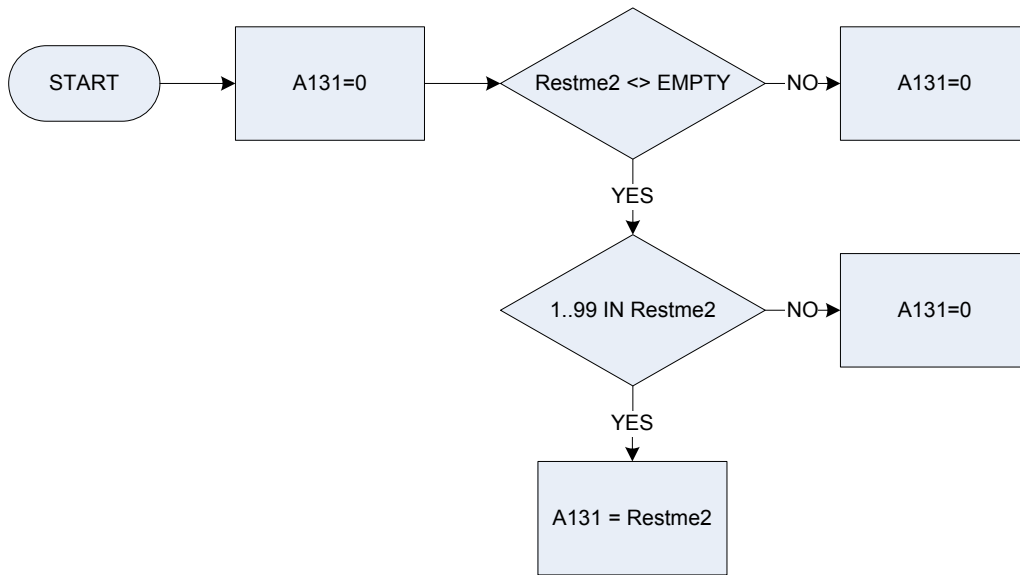


KEY

A130	Electricity - method of payment
0	<i>Not recorded</i>
1	<i>Direct debit</i>
2	<i>Standing order</i>
3	<i>Monthly quarterly bill</i>
4	<i>Pre-payment (keycard or token) meters</i>
5	<i>Included in rent</i>
6	<i>Frequent cash payment method (i.e. more frequent than once a month)</i>
7	<i>Fuel direct direct from benefits</i>
8	<i>Fixed Annual Bill (however much gas/electricity is used) e.g. StayWarm</i>
9	<i>Other (Please specify)</i>
88	<i>Not applicable</i>
99	<i>Don't know</i>

Elecpay	By which of these methods does the respondent pay for their electricity at this house/flat...
Ddbt	<i>Direct debit</i>
Stndord	<i>Standing order</i>
Qtrbill	<i>Monthly/quarterly bill</i>
Prepay	<i>Pre-payment (keycard or token) meters</i>
Inrent	<i>Included in rent</i>
Freqpay	<i>Frequent cash payment method (i.e. more frequent than once a month)</i>
Fueldir	<i>Fuel direct/direct from benefits</i>
FxAnBil	<i>Fixed Annual Bill (however much gas/electricity is used) e.g. StayWarm</i>
Othmetg	<i>Other (Please specify)</i>
NA	<i>Not applicable</i>
Dknw	<i>Don't know</i>

A131 – HRP – no of years at address

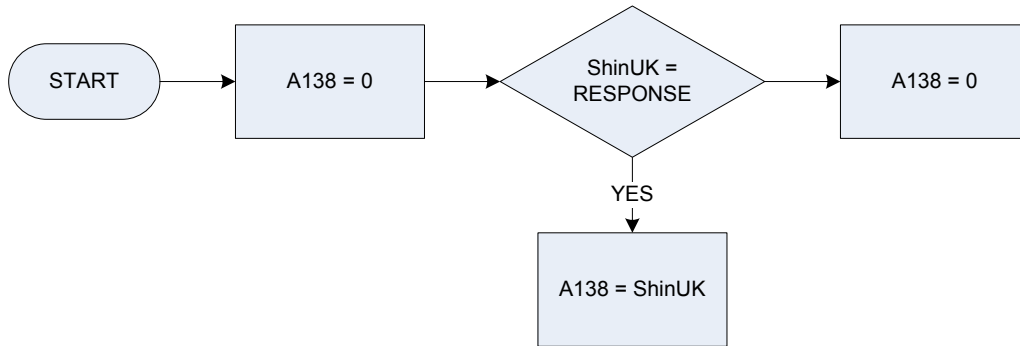


KEY

Restme2

How many years has the HRP lived at this address?

A138 – Second dwelling in United Kingdom



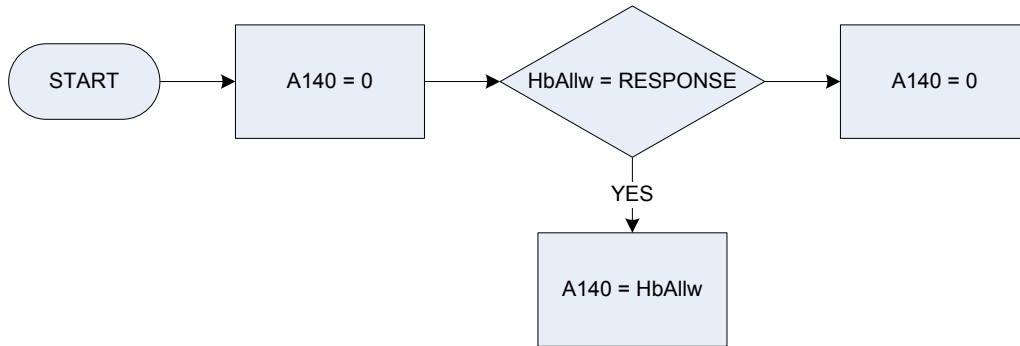
KEY

ShinUK

Is the second dwelling in England, Scotland, Wales or Northern Ireland?

- 1 Yes
- 2 No

A140 – Rates rebate received in last year



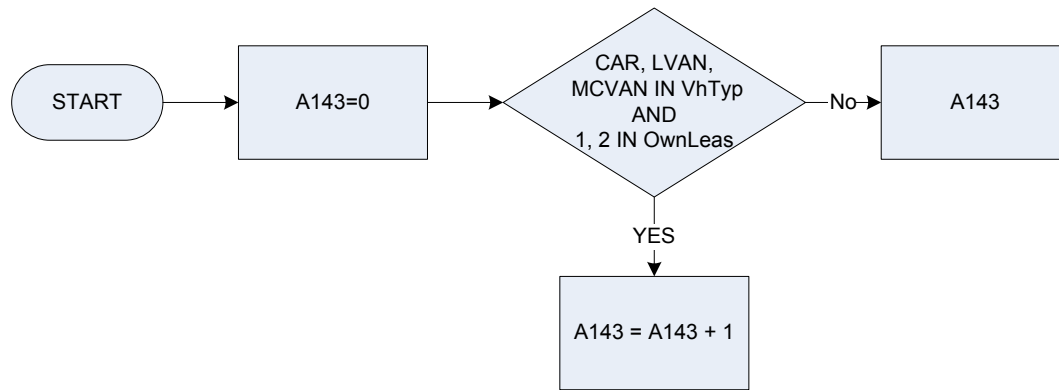
KEY

HbAllw

Is the respondent allowed a rent rebate?

- 1 Yes
- 2 No

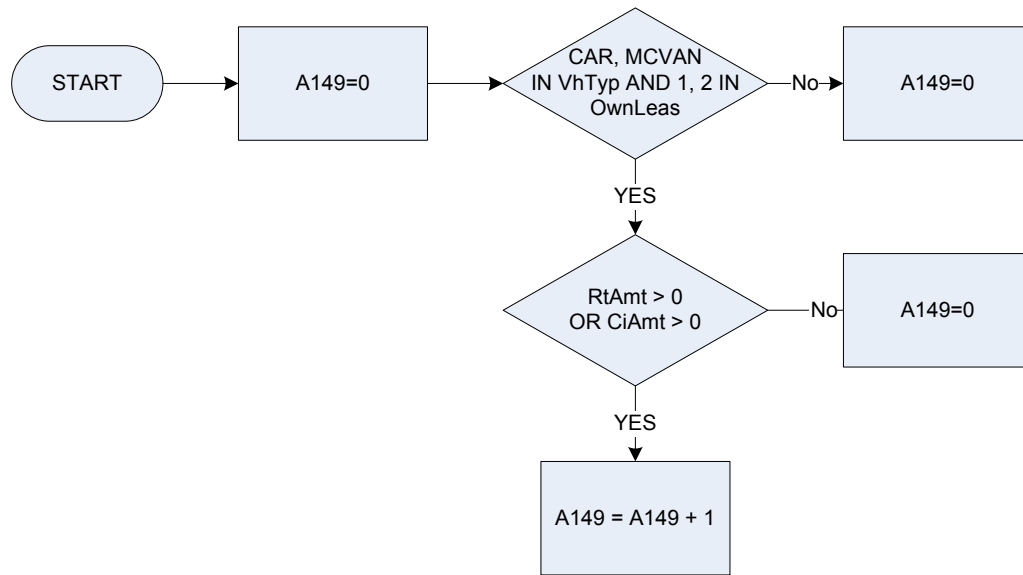
A143 – Number of cars & vans currently owned



KEY

Ownleas	Is the vehicle privately owned or leased at present?
1	<i>Privately owned at present</i>
2	<i>Privately leased at present</i>
VhTyp	Was the respondent's vehicle:
car	<i>a car</i>
lvan	<i>a light van</i>
mcycle	<i>a motor cycle</i>
mcvan	<i>a motor caravan</i>
other	<i>some other motor vehicle</i>

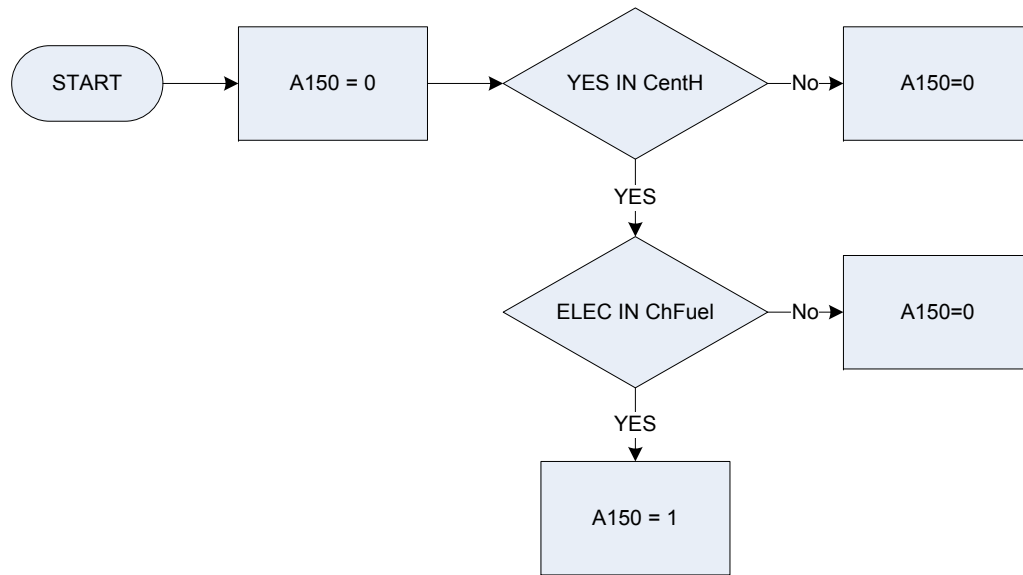
A149 – Cars owned in household



KEY

CiAmt	How much was the respondent's last Insurance payment?
OwnLeas	Is the vehicle privately owned or leased at present?
	Own <i>Privately owned at present</i>
	Leas <i>Privately leased at present</i>
RtAmt	How much did the respondent pay in road tax?
VhTyp	Was the respondent's vehicle:
	car <i>a car</i>
	lvan <i>a light van</i>
	mcycle <i>a motor cycle</i>
	mcvan <i>a motor caravan</i>
	other <i>some other motor vehicle</i>

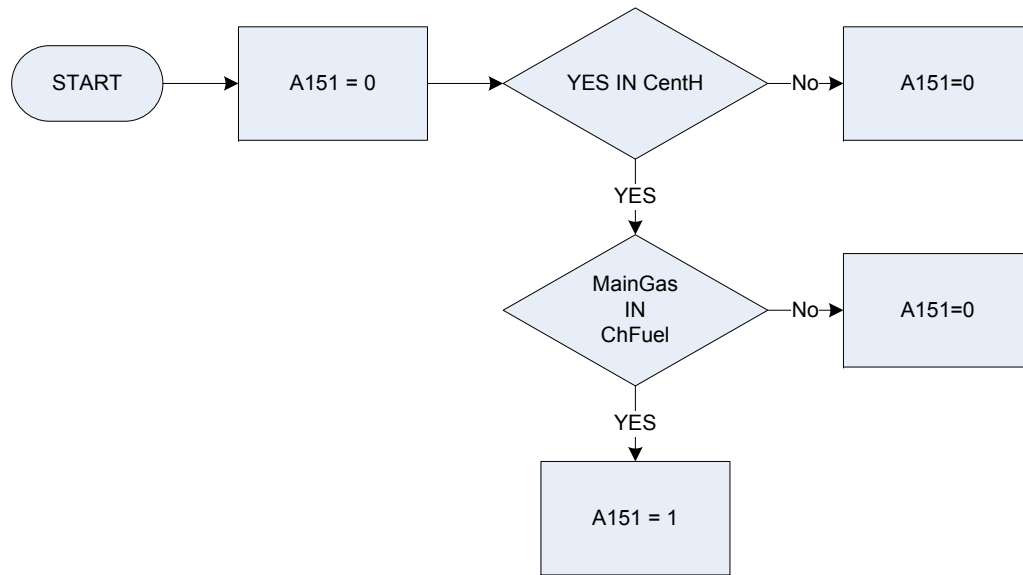
A150 Central heating by electricity



KEY

CentH	Does the respondent have central heating, including storage heaters, in this accommodation?
1	Yes
2	No
ChFuel	What fuel does it use?
1 Elec	Electricity
2 Maingas	Mains Gas
3 Solid	Solid fuel
4 Oil	Oil
5 Solfuel	Solid fuel and oil
6 BottGas	Bottled (Tanked) gas
7 Renew	Renewable energy
8 Other	Other

A151 - Central heating by gas



KEY

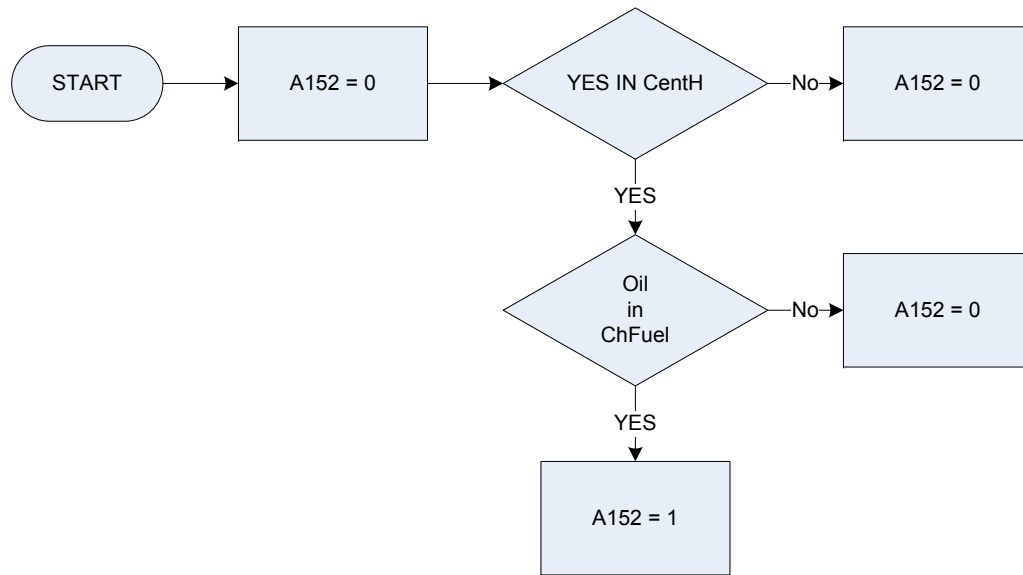
CentH Does the respondent have central heating, including storage heaters, in this accommodation?

1 Yes
2 No

ChFuel What fuel does it use?

1 Elec Electricity,
2 Maingas Mains Gas
3 Solid Solid fuel
4 Oil Oil
5 Solfuel Solid fuel and oil
6 BottGas Bottled (Tanked) gas
7 Renew Renewable energy
8 Other Other

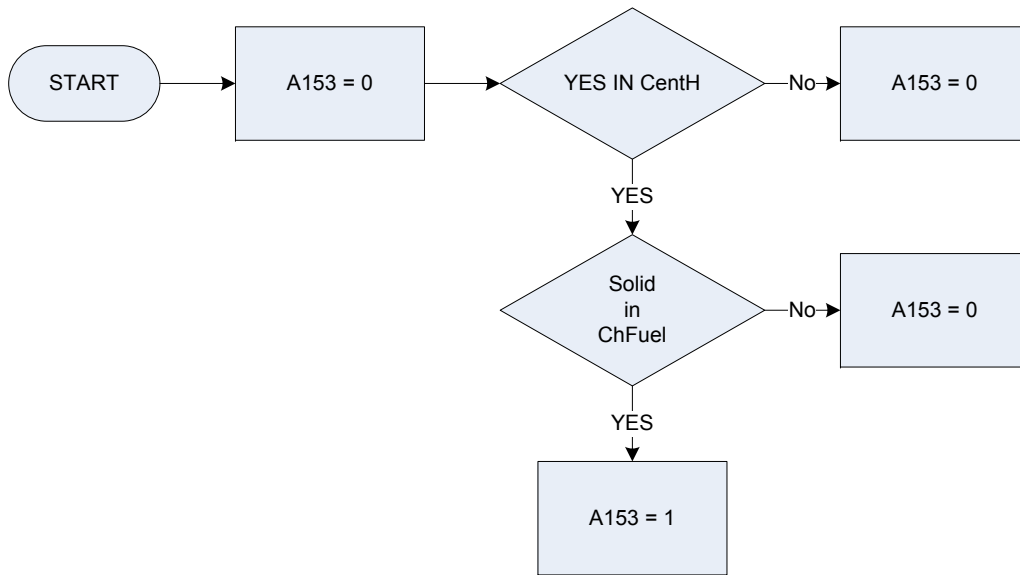
A152 Central heating by Oil



KEY

CentH	Does the respondent have central heating, including storage heaters, in this accommodation?
	1 Yes
	2 No
ChFuel	What fuel does it use?
	1 <i>Elec</i> Electricity
	2 <i>Maingas</i> Mains Gas
	3 <i>Solid</i> Solid fuel
	4 <i>Oil</i> Oil
	5 <i>Solfuel</i> Solid fuel and oil
	6 <i>BottGas</i> Bottled (Tanked) gas
	7 <i>Renew</i> Renewable energy
	8 <i>Other</i> Other

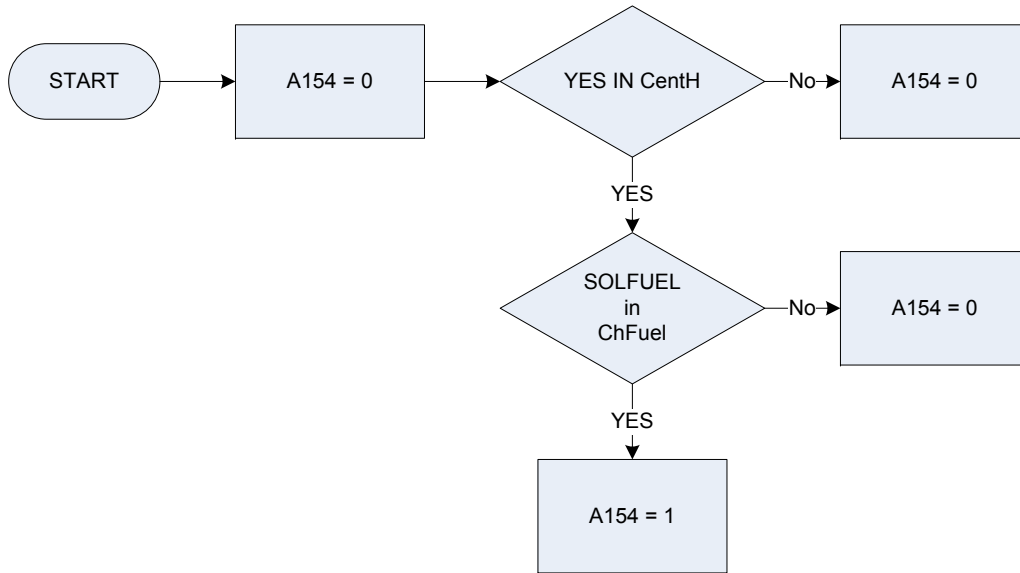
A153 Central heating by Solid Fuel



KEY

CentH	Does the respondent have central heating, including storage heaters, in this accommodation?
1	Yes
2	No
ChFuel	What fuel does it use?
1 Elec	Electricity
2 Maingas	Mains Gas
3 Solid	Solid fuel
4 Oil	Oil
5 Solfuel	Solid fuel and oil
6 BottGas	Bottled (Tanked) gas
7 Renew	Renewable energy
8 Other	Other

A154 Central heating by Solid Fuel and Oil



KEY

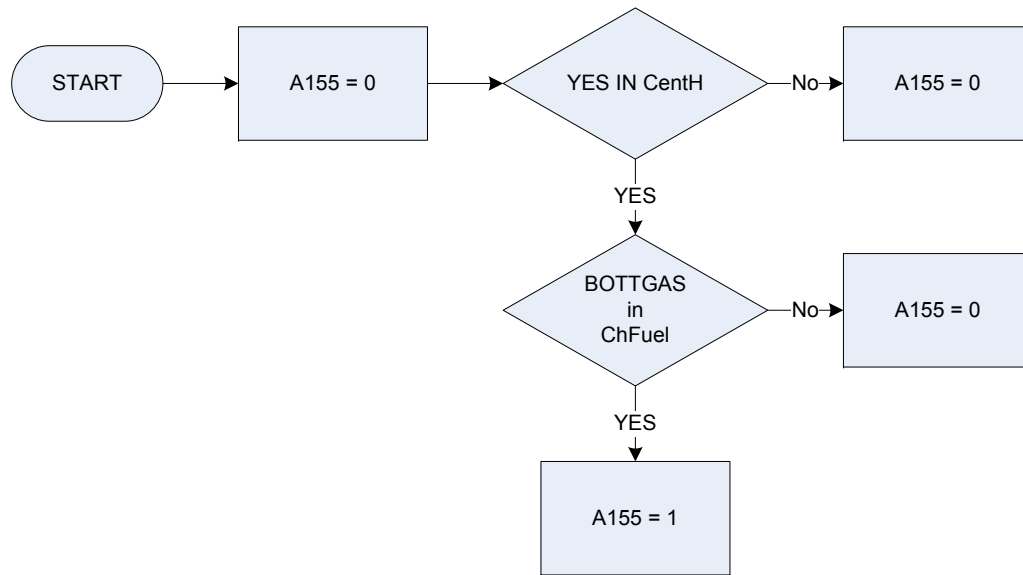
CentH Does the respondent have central heating, including storage heaters, in this accommodation?

- 1 Yes
- 2 No

ChFuel What fuel does it use?

- 1 **Elec** Electricity
- 2 **Maingas** Mains Gas
- 3 **Solid** Solid fuel
- 4 **Oil** Oil
- 5 **Solfuel** Solid fuel and oil
- 6 **BottGas** Bottled (Tanked) gas
- 7 **Renew** Renewable energy
- 8 **Other** Other

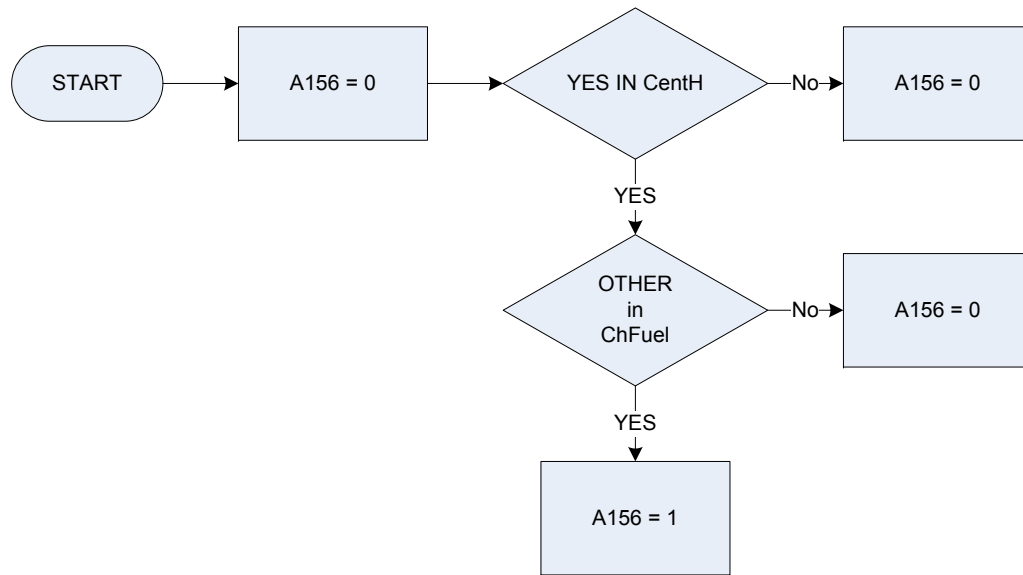
A155 Central heating by Calor Gas



KEY

CentH	Does the respondent have central heating, including storage heaters, in this accommodation?
1	Yes
2	No
ChFuel	What fuel does it use?
1 Elec	Electricity
2 Maingas	Mains Gas
3 Solid	Solid fuel
4 Oil	Oil
5 Solfuel	Solid fuel and oil
6 BottGas	Bottled (Tanked) gas
7 Renew	Renewable energy
8 Other	Other

A156 Other gas central heating



KEY

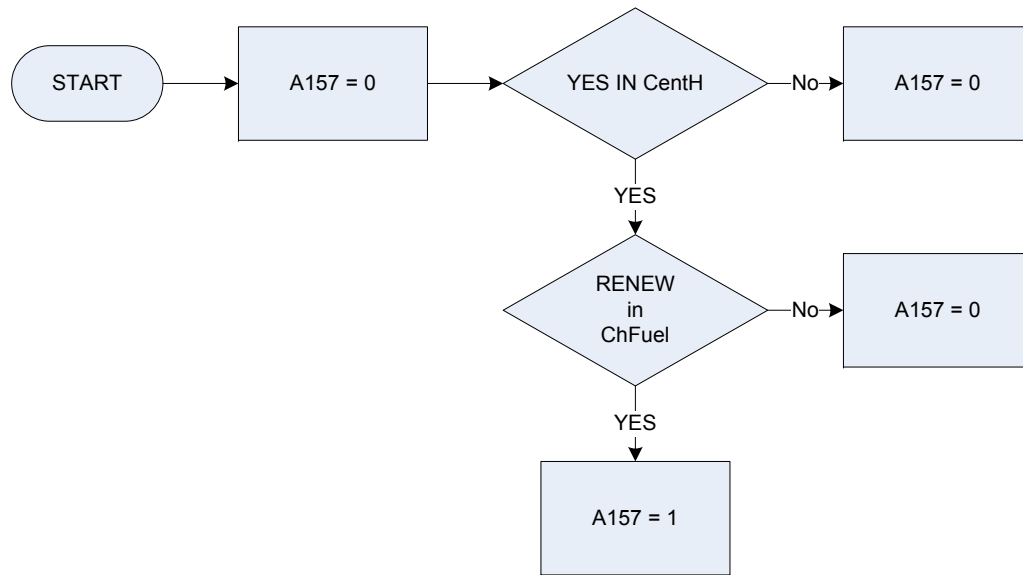
CentH Does the respondent have central heating, including storage heaters, in this accommodation?

1 Yes
2 No

ChFuel What fuel does it use?

1 Elec Electricity
2 Maingas Mains Gas
3 Solid Solid fuel
4 Oil Oil
5 Solfuel Solid fuel and oil
6 BottGas Bottled (Tanked) gas
7 Renew Renewable energy
8 Other Other

A157 Renewable energy



KEY

CentH
accommodation?

Does the respondent have central heating, including storage heaters, in this

1 Yes
2 No

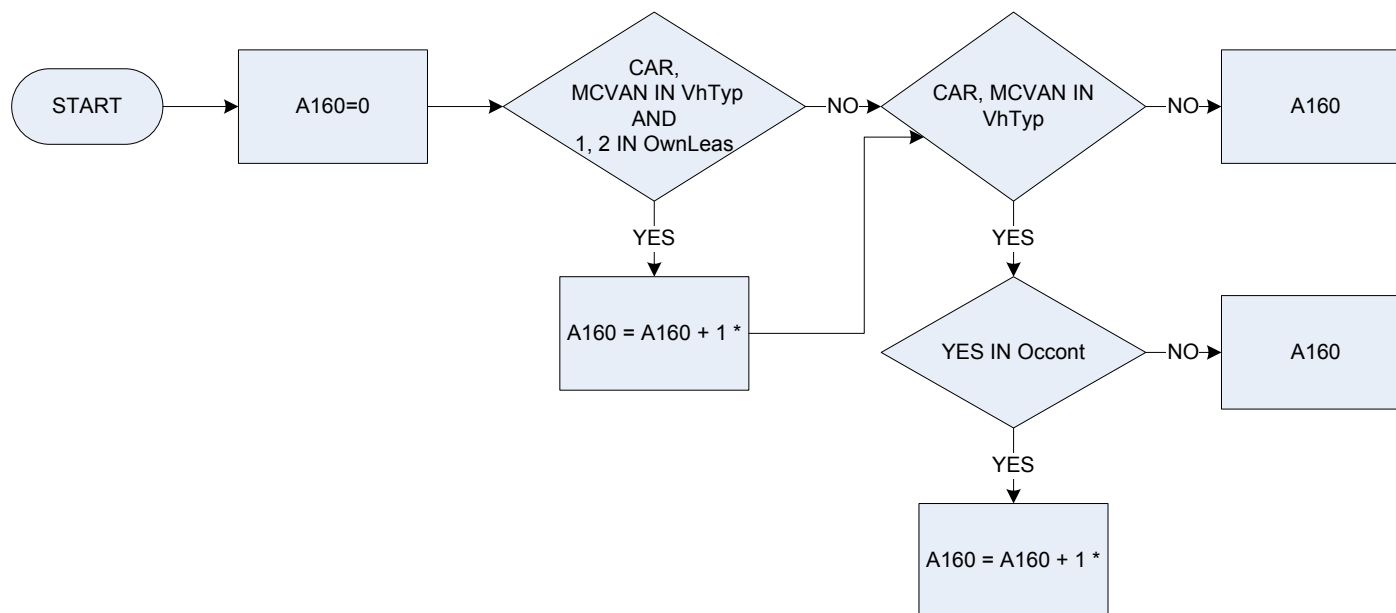
ChFuel

What fuel does it use?

1 *Elec*
2 *Maingas*
3 *Solid*
4 *Oil*
5 *Solfuel*
6 *BottGas*
7 *Renew*
8 *Other*

Electricity
Mains Gas
Solid fuel
Oil
Solid fuel and oil
Bottled (Tanked) gas
Renewable energy
Other

A160 – Cars owned in household



KEY

Occont Does the respondent have continuous use of the vehicle at present?

1 Yes

2 No

Ownleas Is the vehicle privately owned or leased at present?

Own Privately owned at present

Leas Privately leased at present

VhTyp Was the respondent's vehicle:

car a car

Ivan a light van

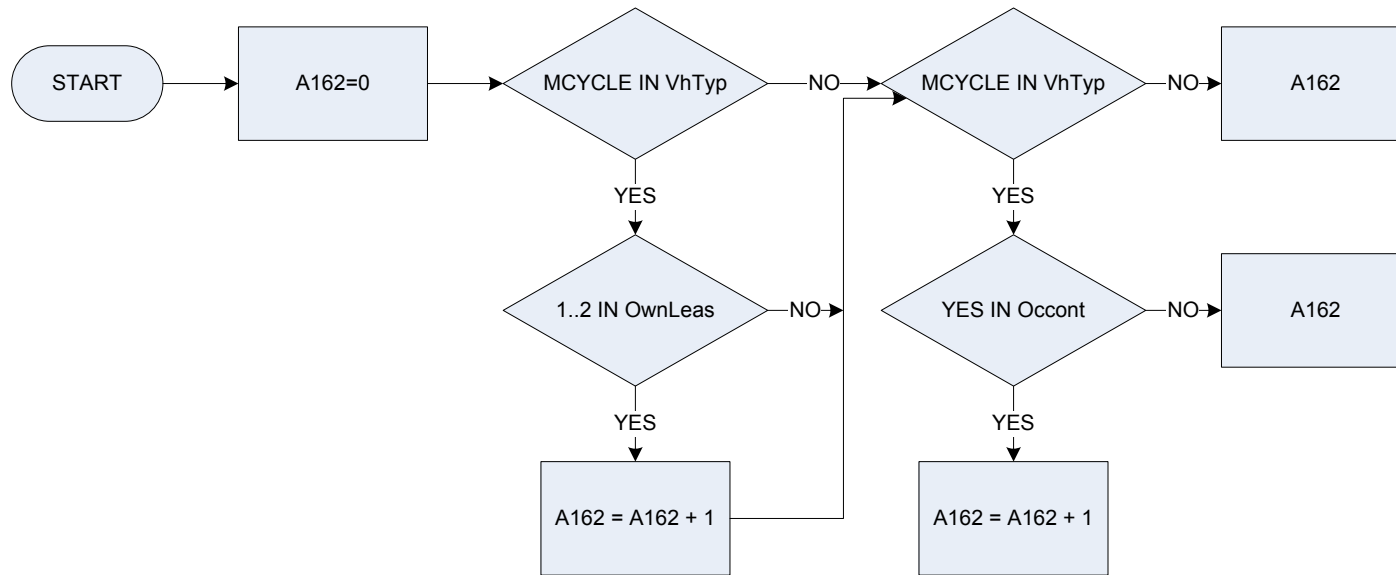
mcycle a motor cycle

mcvan a motor caravan

other some other motor vehicle

*If the household owns more than one car then these are all added to the total amount for A160

A162 – No of motorcycles owned or used

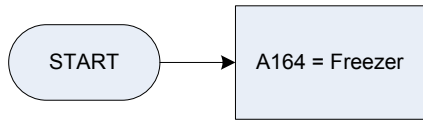


KEY

Occont	Does the respondent have continuous use of the vehicle at present?
1	Yes
2	No
Ownleas	Is the vehicle privately owned or leased at present
Own	<i>Privately owned at present</i>
Leas	<i>Privately leased at present</i>
VhTyp	Was the respondent's vehicle:
car	<i>a car</i>
lvan	<i>a light van</i>
mcycle	<i>a motor cycle</i>
mcvan	<i>a motor caravan</i>
other	<i>some other motor vehicle</i>

*If the household owns more than motorcycle then these are all added to the total amount for A162

A164 – Fridge-freezer or deep freezer in household

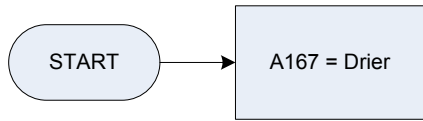


KEY

Freezer

Does the household have a Deep freezer or fridge freezer?
0 *Not recorded*
1 *Fridge-freezer or deep freezer present*
2 *No fridge-freezer or deep freezer present*

A167 – Tumble dryer in household



KEY

Drier

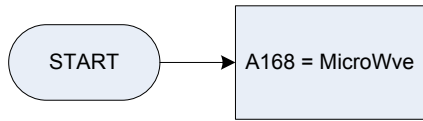
Does the respondent's household have a Tumble drier?

0 *Not recorded*

1 *Tumble drier*

2 *Tumble drier not present*

A168 – Microwave Oven in household



KEY

MicroWve

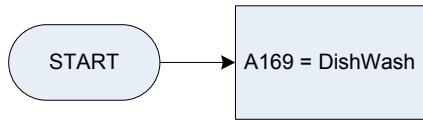
Does the respondent's household have a Microwave oven?

0 *Not recorded*

1 *Microwave oven*

2 *Microwave oven not present*

A169 – Dishwasher in household



KEY

DishWash

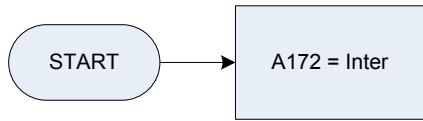
Does the respondent's household have a Dish washer?

0 *Not recorded*

1 *Dishwasher*

2 *Dishwasher not present*

A172 – Internet connection in household



KEY

Inter

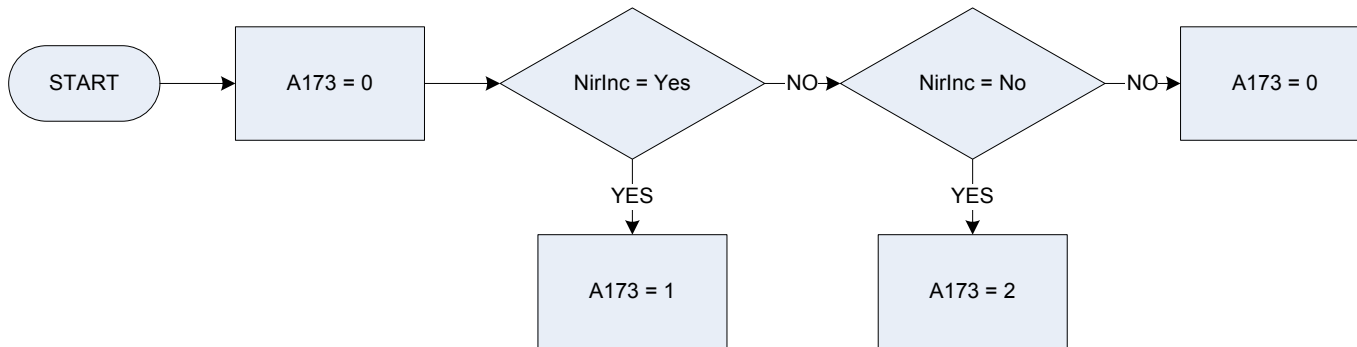
Does the respondent's household have access to the internet at home?

0 *Not recorded*

1 *Internet connection present*

2 *Internet connection not present*

A173 – Rates included in rent (Northern Ireland)



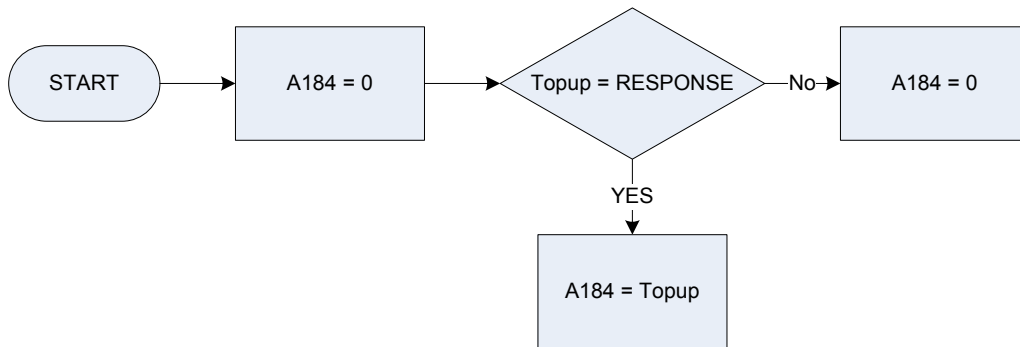
KEY

NirInc

Northern Ireland Rates: Does the respondent's rent also include rates?

- 1 Yes
- 2 No

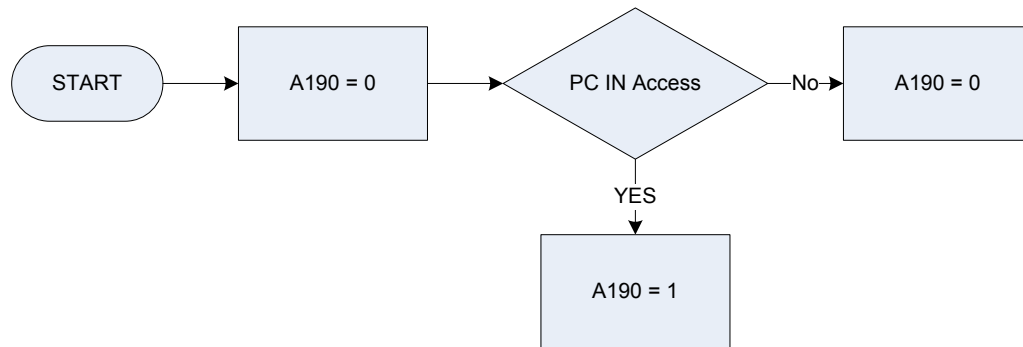
A184 – Re-mortgage or topped up original loan



KEY

A184	Re-mortgage or topped up original loan
0	<i>Not recorded</i>
1	<i>Yes, remortgage</i>
2	<i>Yes, topped up</i>
3	<i>No to both</i>
Topup	Has the respondent taken out a re-mortgage or topped-up the original loan on this house/flat since they purchased it?
ReMort	<i>Yes, remortgage</i>
TpUp	<i>Yes, topped up</i>
Neither	<i>No to both</i>

A190 – Internet access via Home Computer



KEY

A190

Internet access via Home Computer

0 Not recorded

1 Home Computer access to NET

Access

How does the household access the internet from home?

PC *Home computer*

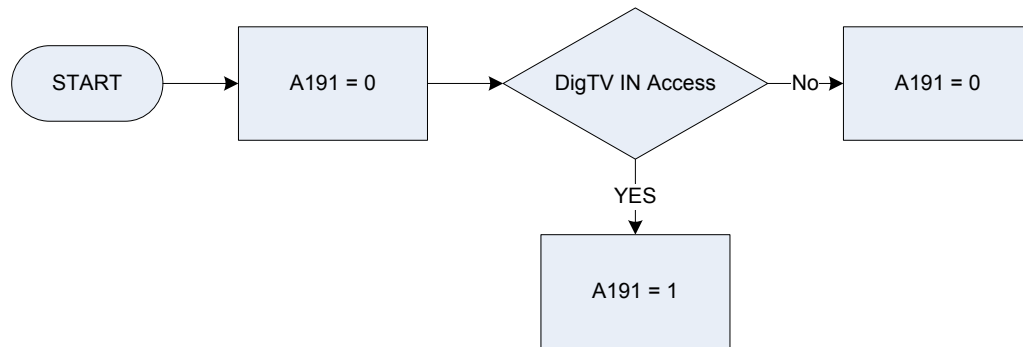
DigTV *Digital television*

MobPh *Mobile phone*

GCons *Games console*

Other *Other*

A191 – Internet access via Digital TV



KEY

A191

Internet access via Digital TV

0 *Not recorded*

1 *Digital TV access to NET*

Access

How does the respondents household access the internet from home?

PC *Home computer*

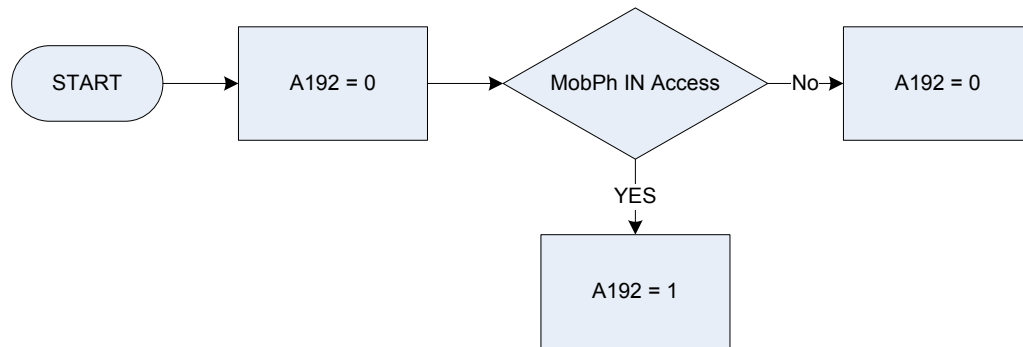
DigTV *Digital television*

MobPh *Mobile phone*

GCons *Games console*

Other *Other*

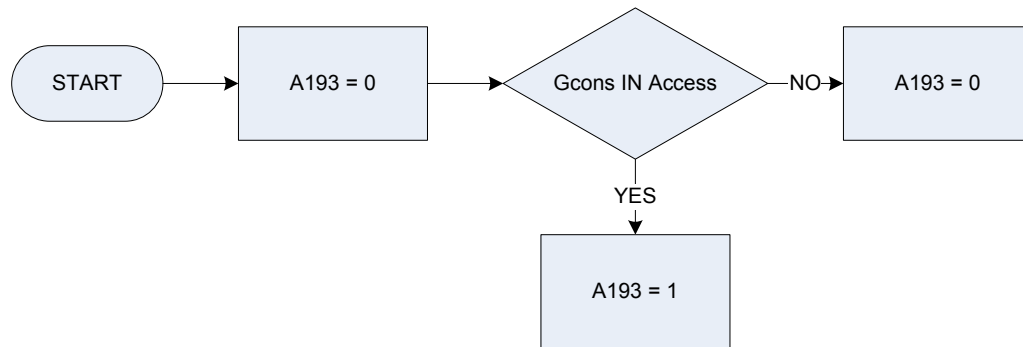
A192 – Internet access via mobile phone



KEY

A192	Internet access via Mobile Phone
0	<i>Not recorded</i>
1	<i>Mobile phone access to NET</i>
Access	Consumer Durables: How does the respondents household access the internet from home?
PC	<i>Home computer</i>
DigTV	<i>Digital television</i>
MobPh	<i>Mobile phone</i>
GCons	<i>Games console</i>
Other	<i>Other</i>

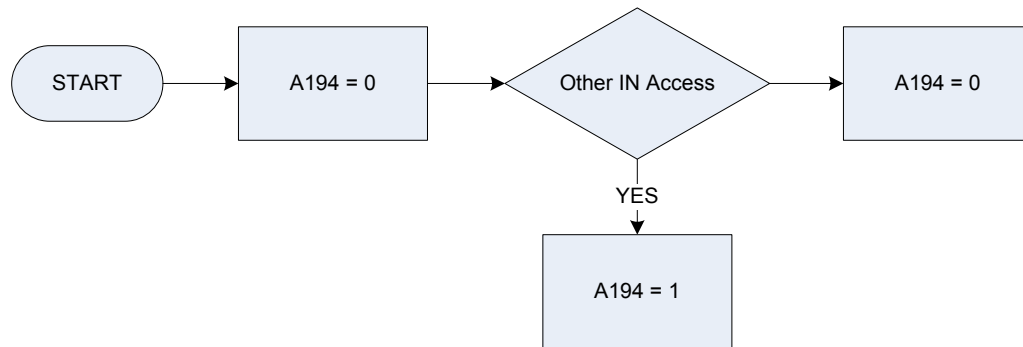
A193 – Internet access via games console



KEY

A193	Internet access via Games Console
0	<i>Not recorded</i>
1	<i>Games console access to NET</i>
Access	Consumer Durables: How does the respondents household access the internet from home?
PC	<i>Home computer</i>
DigTV	<i>Digital television</i>
MobPh	<i>Mobile phone</i>
GCons	<i>Games console</i>
Other	<i>Other</i>

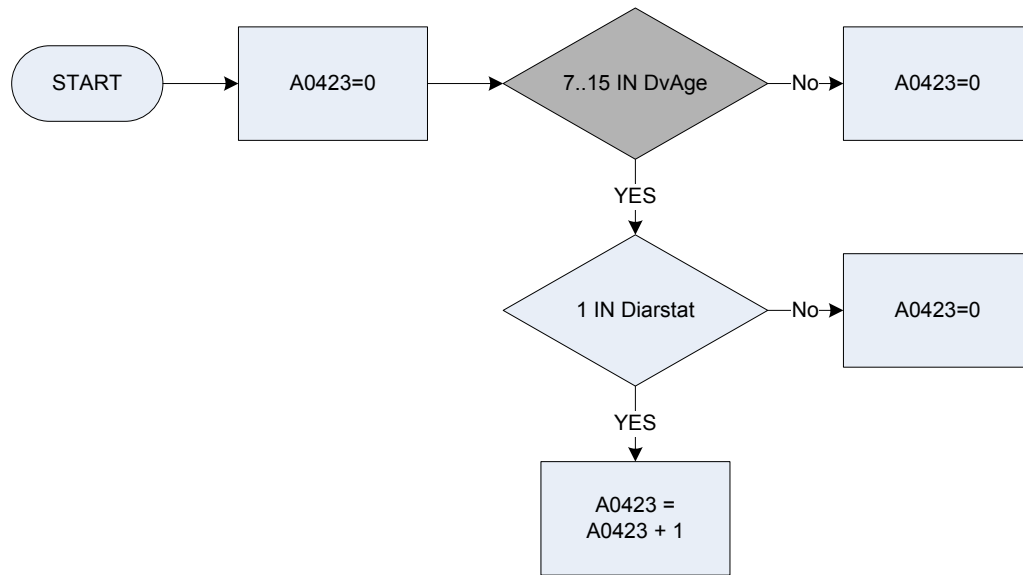
A194 – Internet access via other method



KEY

A194	Internet access via other method
0	<i>Not recorded</i>
1	<i>Other method access to NET</i>
Access	Consumer Durables: How does the respondents household access the internet from home?
PC	<i>Home computer</i>
DigTV	<i>Digital television</i>
MobPh	<i>Mobile phone</i>
GCons	<i>Games console</i>
Other	<i>Other</i>

A0423 – Number of children completing a diary



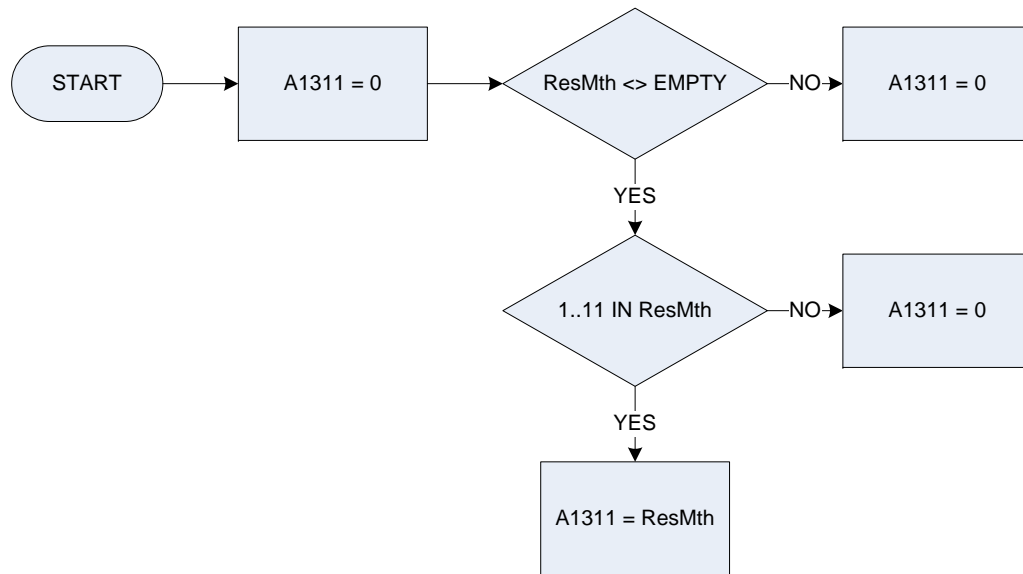
KEY

DvAge
Diarstat

Derived from Birth and Agelf - Age of whole sample
Whether the child is completing a youth diary, is an absent spender or has refused to participate.

- 1 *Completing a youth diary*
- 2 *Absent spender*
- 3 *Refused youth diary task*
- 4 *Do not use (Northern Ireland only)*

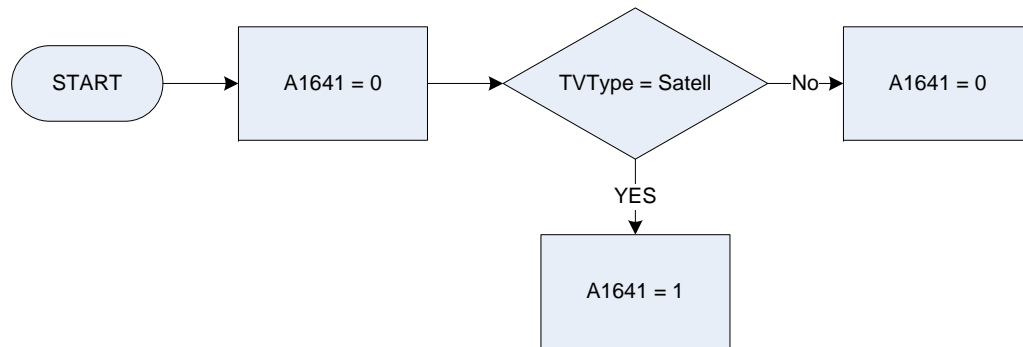
A1311 – HRP – Number of months at address



KEY

ResMth How many months have you lived here (if resident for less than a year)?

A1641 – Satellite receiver in household



KEY

A1641

Satellite receiver in household

0 *Satellite receiver not recorded*

1 *Satellite receiver present*

TVType

How does the respondent get television on their main set in their home?

Aerial *A normal aerial on the TV set, attic or roof*

Satell *A Sky satellite dish*

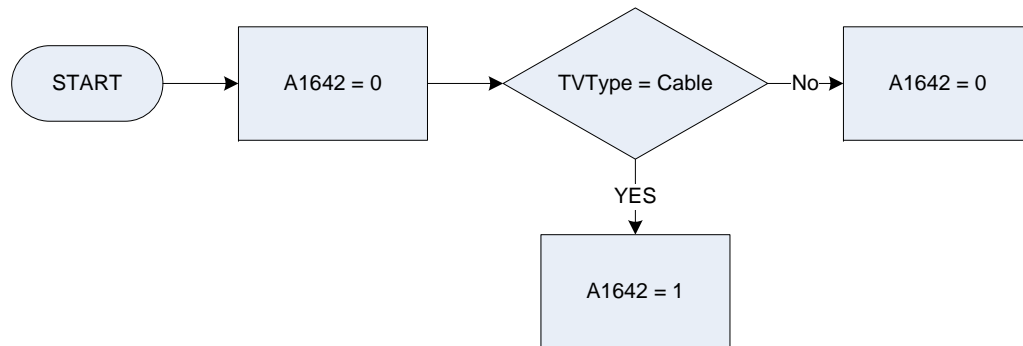
Cable *A connection made by cable TV company*

BroadB *Through a telephone line connection / broadband*

PComp *Only from a personal computer*

DKnow *Don't know*

A1642 – Cable receiver in household



KEY

A1642

Cable receiver in household

0 Cable receiver not recorded

1 Cable receiver present

TVType

How does the respondent get television on their main set in their home?

Aerial A normal aerial on the TV set, attic or roof

Satell A Sky satellite dish

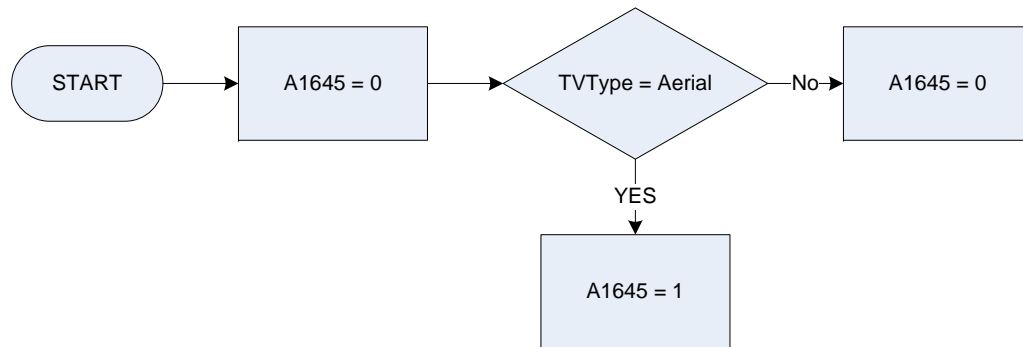
Cable A connection made by cable TV company

BroadB Through a telephone line connection / broadband

PComp Only from a personal computer

DKnow Don't know

A1645 – TV received by aerial



KEY

A1645

TV received by Aerial

0

Not connected by aerial

1

Connected by aerial at present

TVType

How does the respondent get television on their main set in their home?

Aerial

A normal aerial on the TV set, attic or roof

Satell

A Sky satellite dish

Cable

A connection made by cable TV company

BroadB

Through a telephone line connection / broadband

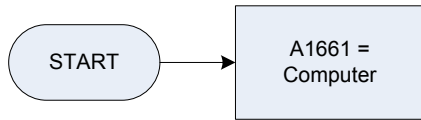
PComp

Only from a personal computer

DKnow

Don't know

A1661 – Home computer in household

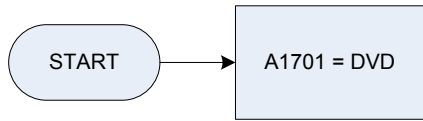


KEY

Computer

Does the respondent's household have a Home computer?
0 *Not recorded*
1 *Home computer present*
2 *No home computer*

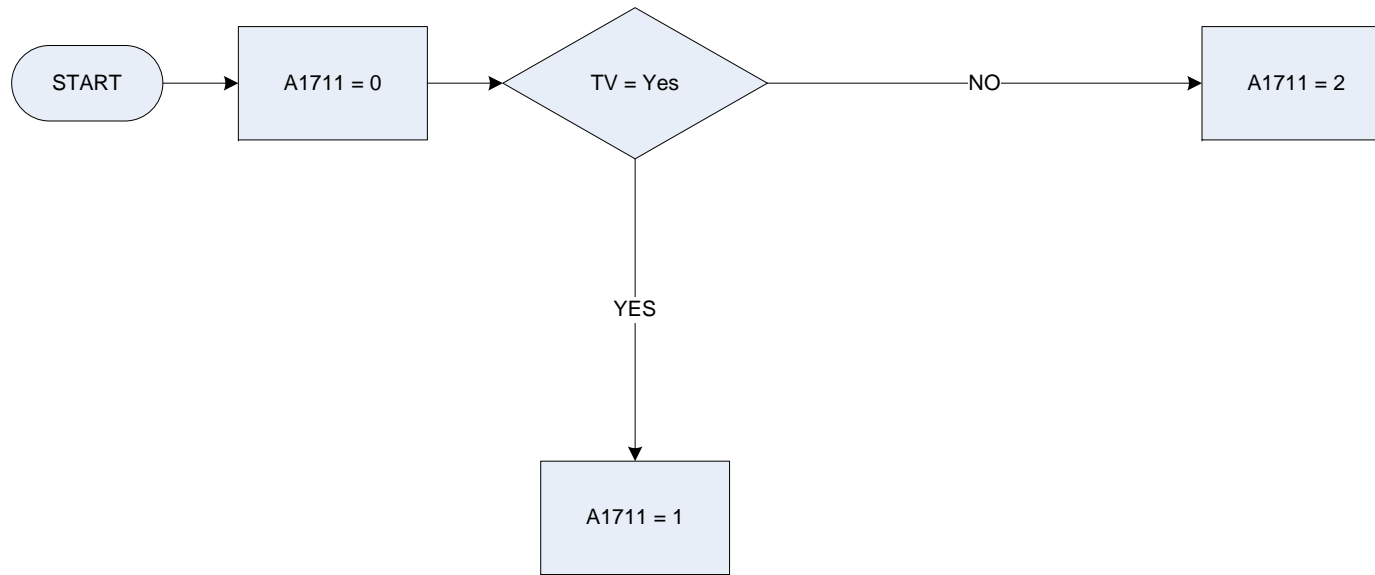
A1701 – DVD player in household



KEY

A1701	DVD player in household
1	Yes
2	No
DVD	Does the respondent's household have a DVD player?
0	<i>Not recorded</i>
1	<i>DVD player present</i>
2	<i>DVD player not present</i>

A1711 – Television in household



KEY

A1711

Television in household

0 Not recorded

1 Television present

2 No television present

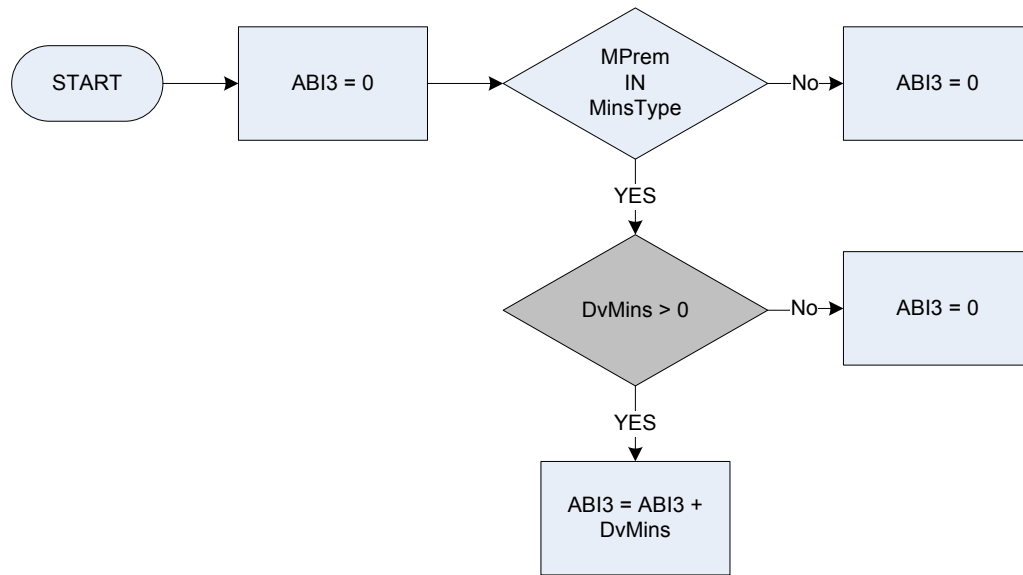
TV

Does the respondents household have a TV set?

1 Yes

2 No

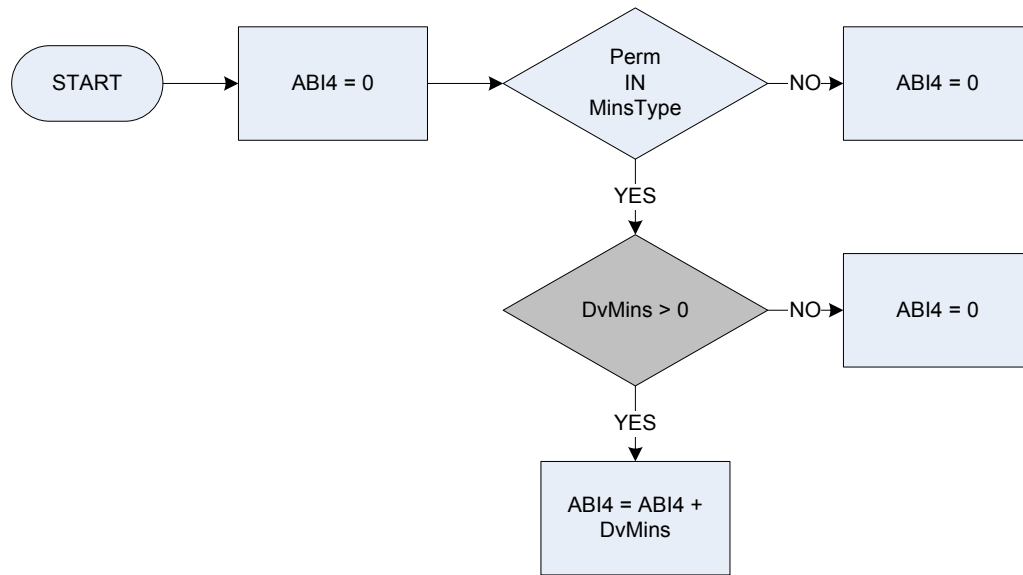
ABI3 – Private medical insurance



KEY

DvMins	Derived from MinsAmt to give a weekly amount – (<i>MinsAmt - Other Insurance: How much was the last payment?</i>)
MinsType	Medical Insurance: Type of policy
Mprem	Private medical insurance schemes (e.g. BUPA, HCS, PPA, PPP, WPA)
Perm	Permanent health insurance (PHI)
Other	Other including personal accident, critical illness cover, friendly society sickness insurance

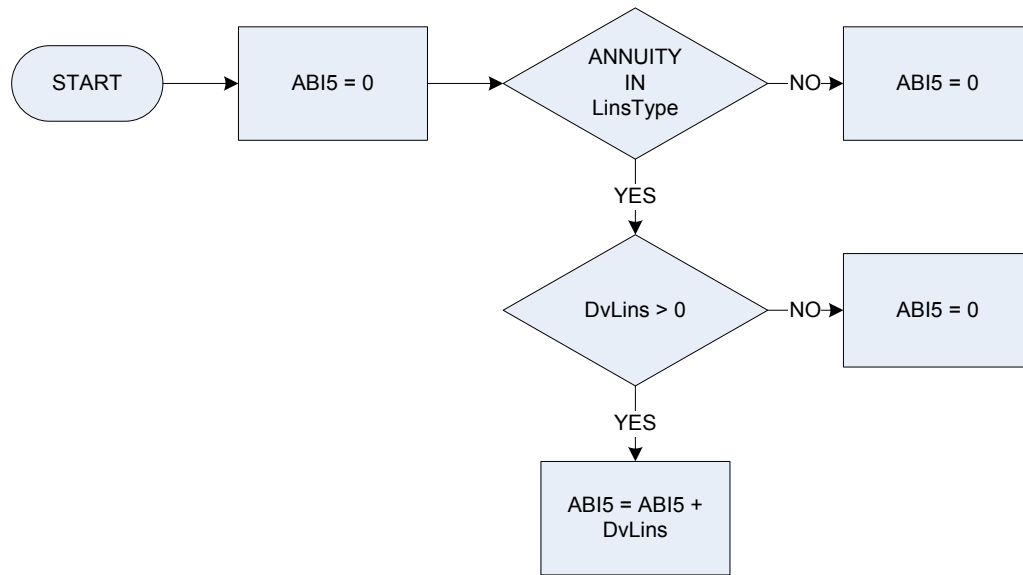
ABI4 – Permanent Health Insurance



KEY

MinsType	Medical Insurance: Type of policy
Mprem	Private medical insurance schemes (e.g. BUPA, HCS, PPA, PPP, WPA)
Perm	Permanent health insurance (PHI)
Other	Other including personal accident, critical illness cover, friendly society sickness insurance
DvMins	Derived from MinsAmt to give a weekly amount – (MinsAmt - Other Insurance: How much was the last payment?)

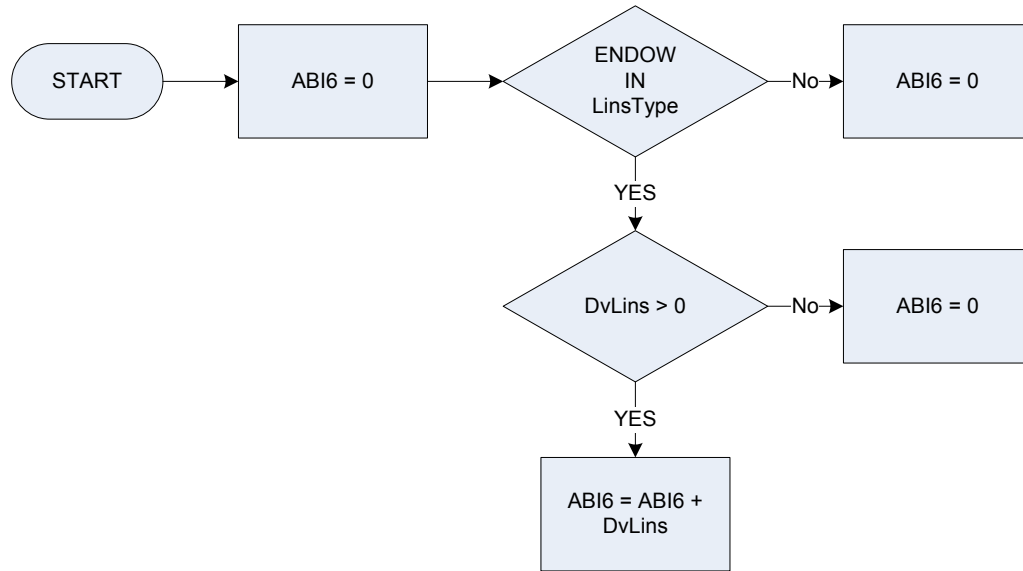
ABI5 - Annuity



KEY

DvLins	Derived from Linsamt to give a weekly amount – (<i>Linsamt - Other Insurance: How much was the last payment?</i>)
LinsType	Life insurance: Type of policy
Annuity	Annuity
Endow	Endowment (including endowment savings plan)
Life	Life (excluding fixed term) or death
Fixterm	Fixed term life (including retirement policy, capital accumulation plan)
Other	Other

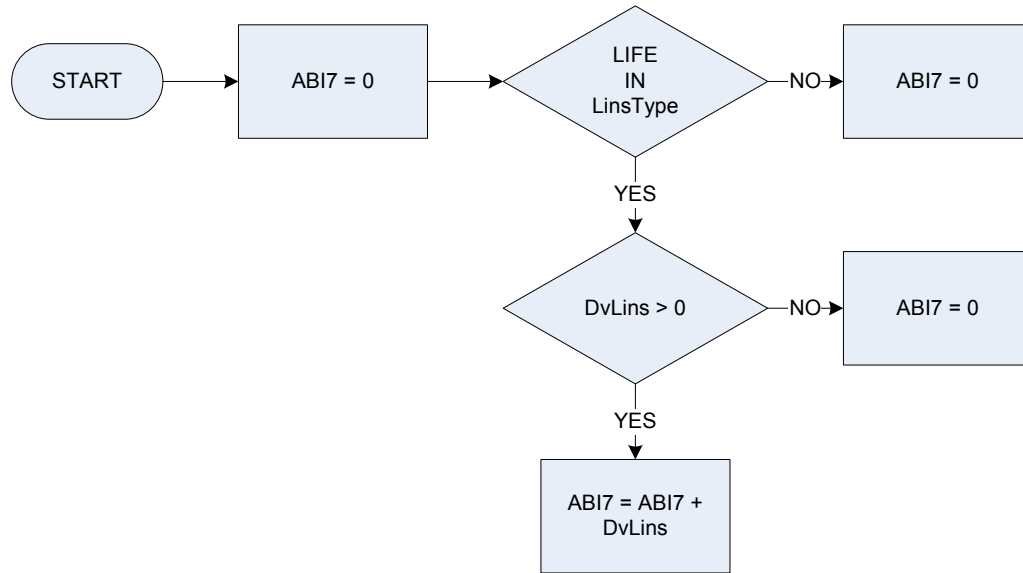
ABI6 – Endowment (including endowment savings plan)



KEY

DvLins	Derived from LinsAmt to give a weekly amount – <i>(LinsAmt - Other Insurance: How much was the last payment?)</i>
LinsType	Life insurance: Type of policy
Annuity	Annuity
Endow	Endowment (including endowment savings plan)
Life	Life (excluding fixed term) or death
Fixterm	Fixed term life (including retirement policy, capital accumulation plan)
Other	Other

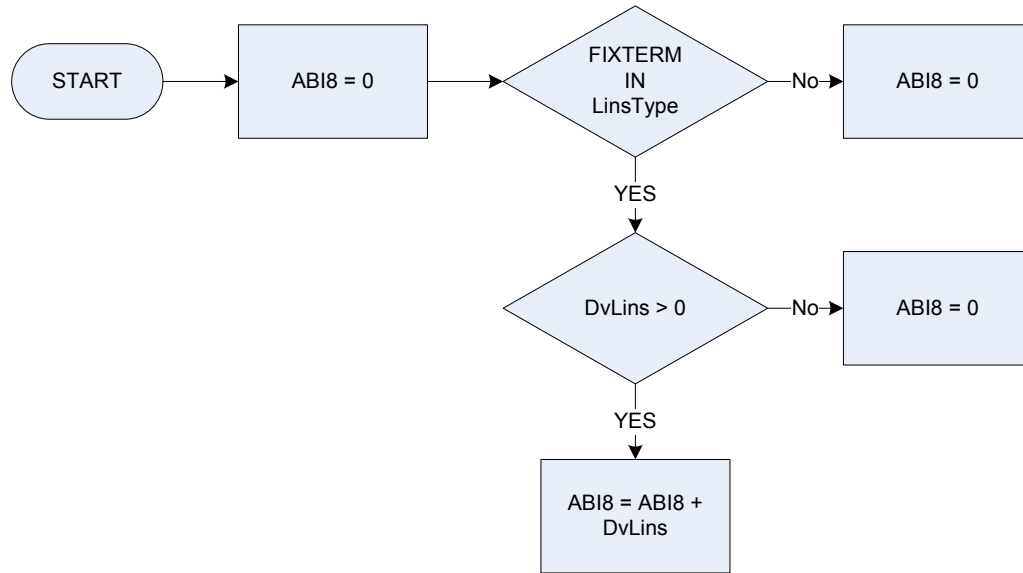
ABI7 – Life (excluding fixed term) or death



KEY

DvLins	Derived from LinsAmt to give a weekly amount – <i>(LinsAmt - Other Insurance: How much was the last payment?)</i>
LinsType	Life insurance: Type of policy
Annuity	<i>Annuity</i>
Endow	<i>Endowment (including endowment savings plan)</i>
Life	<i>Life (excluding fixed term) or death</i>
Fixterm	<i>Fixed term life (including retirement policy, capital accumulation plan)</i>
Other	<i>Other</i>

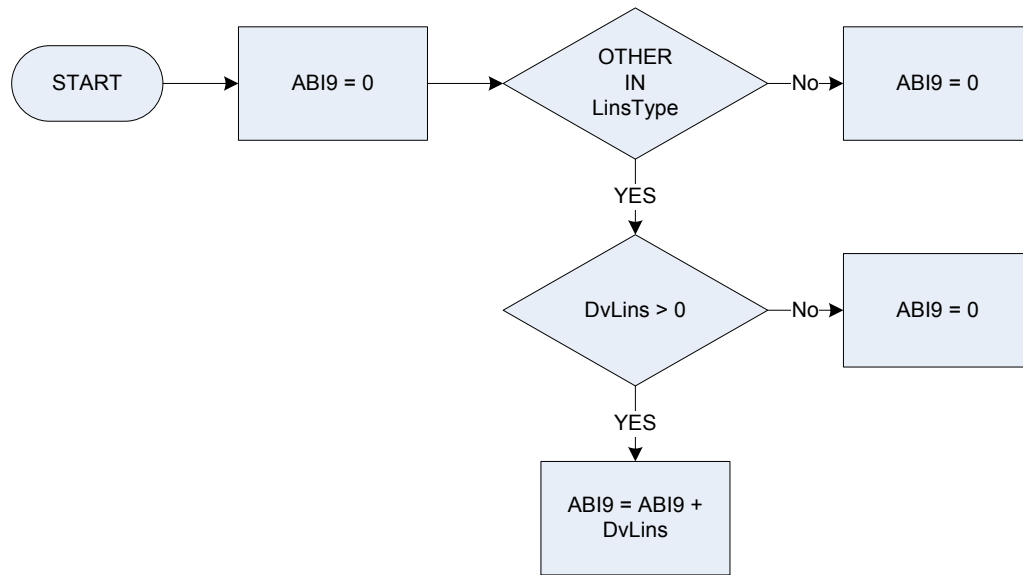
ABI8 – Fixed term life (including retirement policy)



KEY

DvLins	Derived from LinsAmt to give a weekly amount – <i>(LinsAmt - Other Insurance: How much was the last payment?)</i>
LinsType	Life insurance: Type of policy
Annuity	<i>Annuity</i>
Endow	<i>Endowment (including endowment savings plan)</i>
Life	<i>Life (excluding fixed term) or death</i>
Fixterm	<i>Fixed term life (including retirement policy, capital accumulation plan)</i>
Other	<i>Other</i>

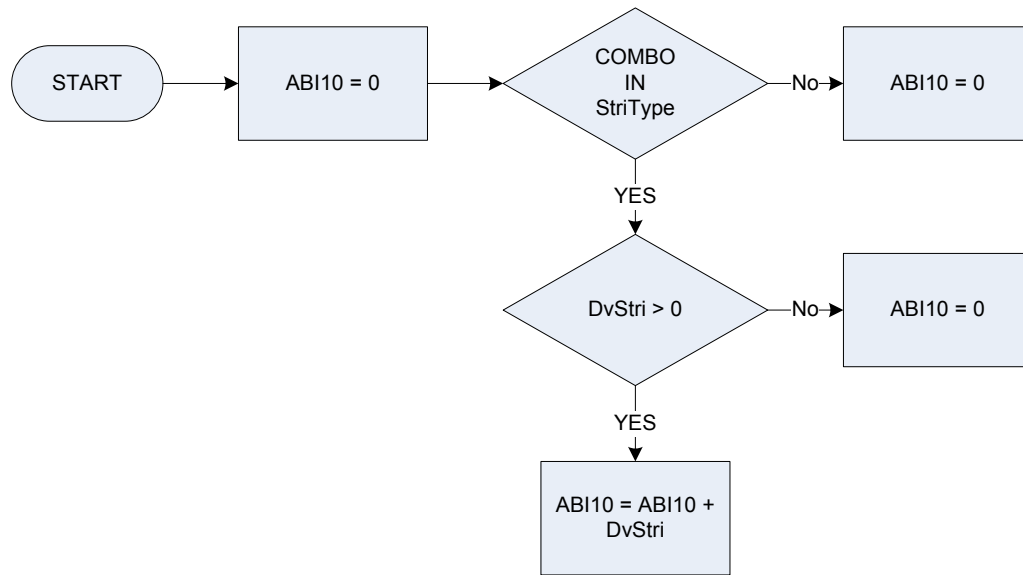
ABI9 – Other life insurance



KEY

DvLins	Derived from LinsAmt to give a weekly amount – <i>(LinsAmt - Other Insurance: How much was the last payment?)</i>
LinsType	Life insurance: Type of policy
Annuity	Annuity
Endow	Endowment (including endowment savings plan)
Life	Life (excluding fixed term) or death
Fixterm	Fixed term life (including retirement policy, capital accumulation plan)
Other	Other

ABI10 – Combined contents and structural insurance only



KEY

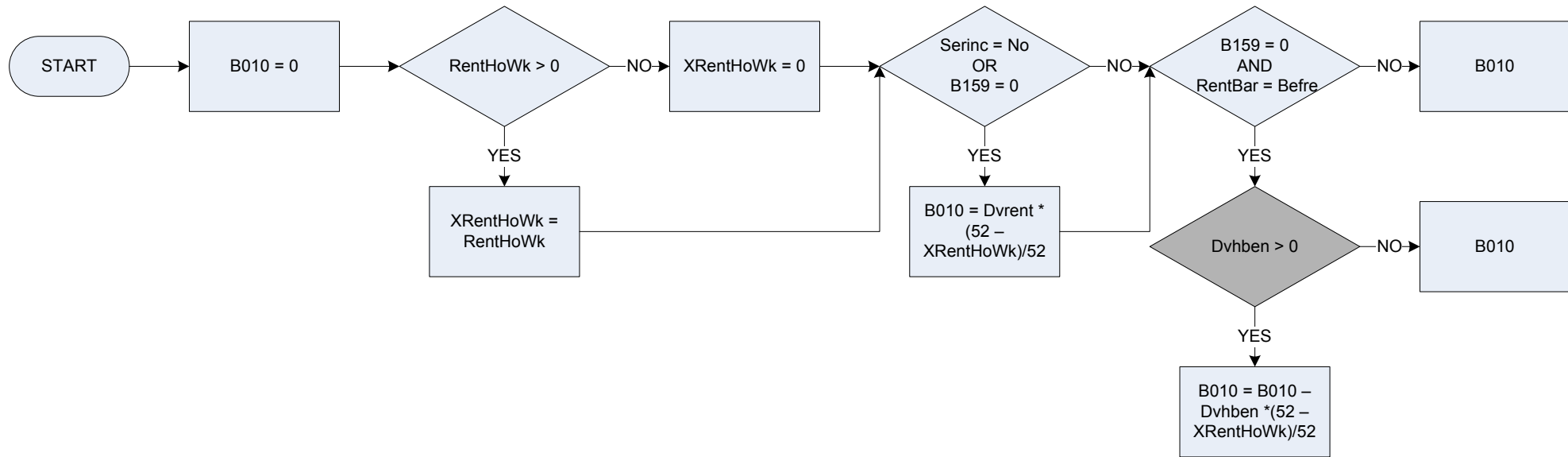
DvStri
StriType

Derived from StriPrem to give a weekly amount – (*StriPrem - Structural Insurance: How much was the last premium?*)

Structural insurance: are the payments for...

Stronly Structure only
Combo Structure combined with furniture and contents and/or personal possessions
Peronly Furniture and contents and/or personal possessions

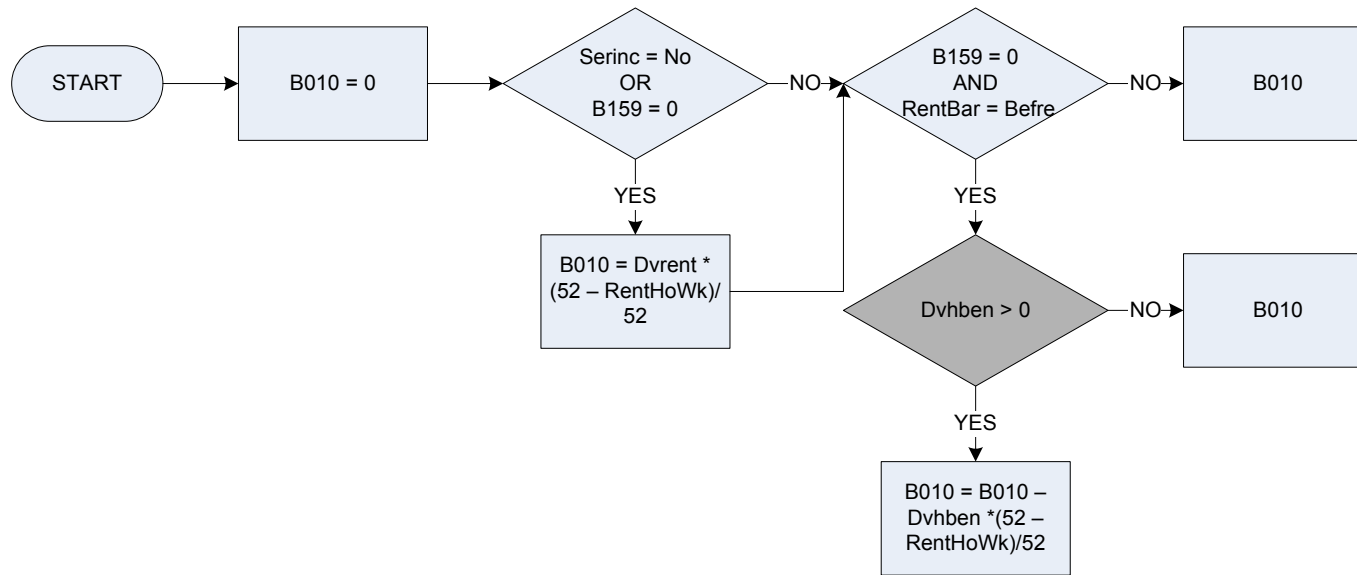
B010 – Rent/rates – last net payment



KEY

B159	Service charge included in rent – amount
Dvhben	Derived from HBen to give a weekly amount – (<i>HBen – Housing Benefit: Does the respondent or anyone else in their household receive Housing Benefit either directly or by having it paid to their landlord on their behalf?</i>)
Dvrent	Derived from RentAmt to give a weekly amount – (<i>RentAmt – Rent: How much rent did the respondent's household actually pay last time it was due, after deducting any Housing Benefit (rent rebate)?</i>)
RentBar	Was the respondent's last rent payment before or after the Housing Benefit (rent rebate) was deducted? 1 Before 2 After
RentHoWk	For how many weeks a year does the respondent have a rent holiday?
Serinc	Does the rent which the respondent mentioned include any services such as the ones shown on card C1 (e.g. Heating, Lighting, Hot water)? 1 Yes 2 No

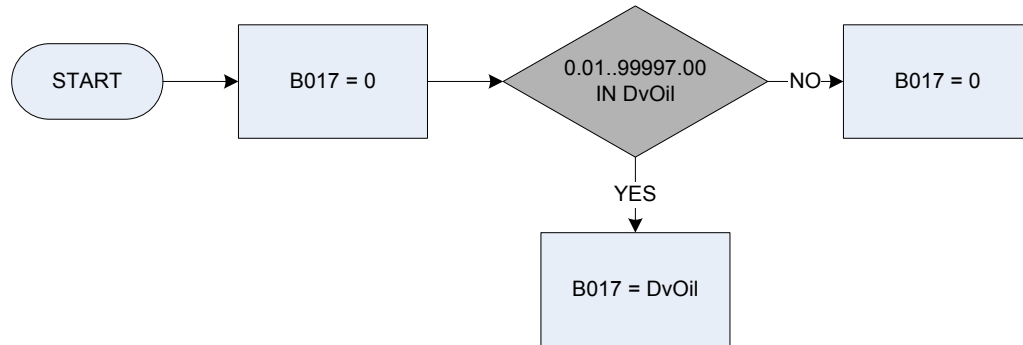
B010 – Rent/rates – last net payment



KEY

B159	Service charge included in rent – amount
Dvhben	Derived from HBen to give a weekly amount – (<i>HBen – Housing Benefit: Does the respondent or anyone else in their household receive Housing Benefit either directly or by having it paid to their landlord on their behalf?</i>)
Dvrent	Derived from RentAmt to give a weekly amount – (<i>RentAmt – Rent: How much rent did the respondent's household actually pay last time it was due, after deducting any Housing Benefit (rent rebate)?</i>)
RentBar	Was the respondent's last rent payment before or after the Housing Benefit (rent rebate) was deducted? 1 Before 2 After
RentHoWk	For how many weeks a year does the respondent have a rent holiday?
Serinc	Does the rent which the respondent mentioned include any services such as the ones shown on card C1 (e.g. heating, lighting, hot water)? 1 Yes 2 No

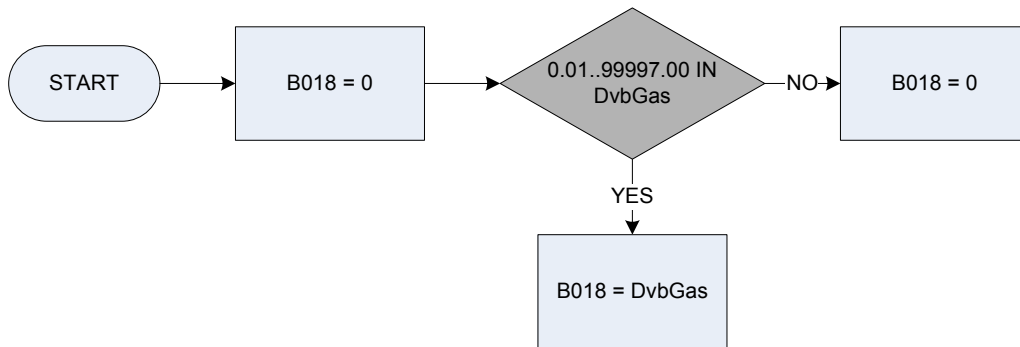
B017 – Oil for central heating cost last quarter



KEY

DvOil Derived from OilAmt to give a weekly amount – (*OilAmt – Central Heating: What was the total expenditure on oil in the last 3 months?*)

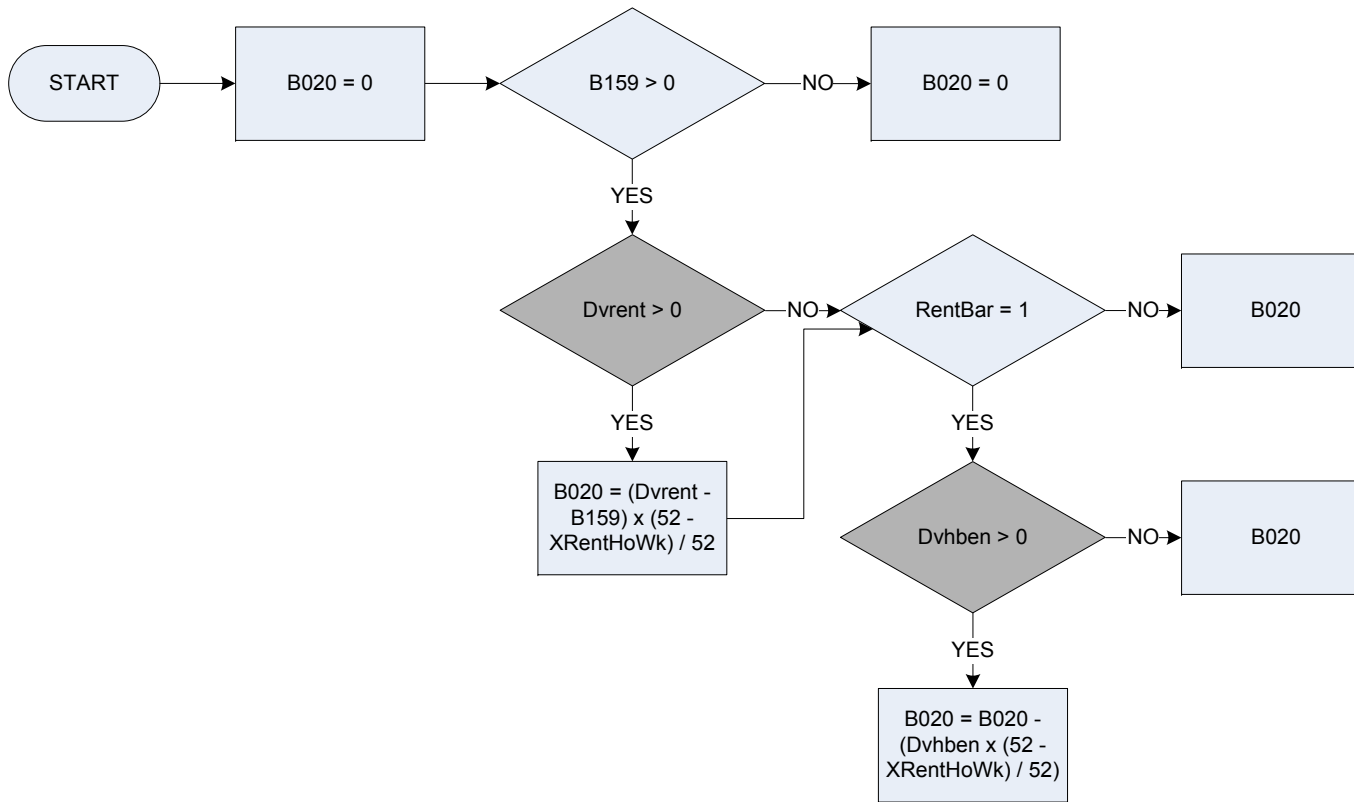
B018 – Bottled gas for central heating - amount



KEY

DvbGas Derived from BGasAmt to give a weekly amount – (BGasAmt – Central Heating: What was the total expenditure on bottled gas in the last 3 months?)

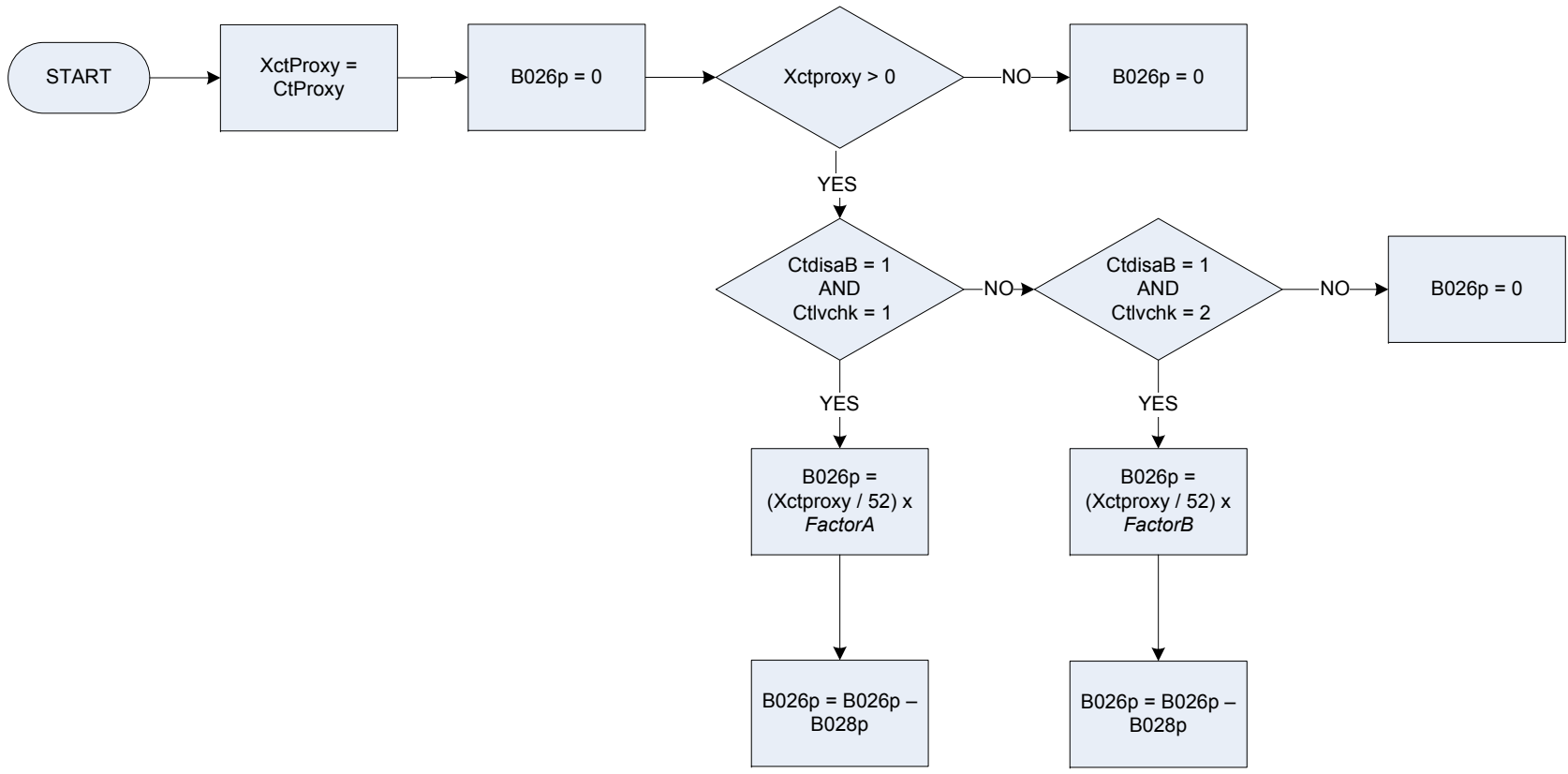
B020 – Net rent – service charge deducted



KEY

- B159** Service charge included in rent (amount)
- Dvhben** Derived from HBen (Does the respondent or anyone else in their household receive Housing Benefit either directly or by having it paid to their landlord on their behalf?)
- Dvrent** Derived from RentAmt (How much rent did the respondent's household actually pay last time it was due, after deducting any Housing Benefit (rent rebate)?)
- RentHoWk** For how many weeks a year does the respondent have a rent holiday?
- RentBar** Was the respondent's last rent payment before or after the Housing Benefit was deducted?
 - 1 "Before"
 - 2 "After"

B026p – Council tax – amount of discount for disabled (anonymised)

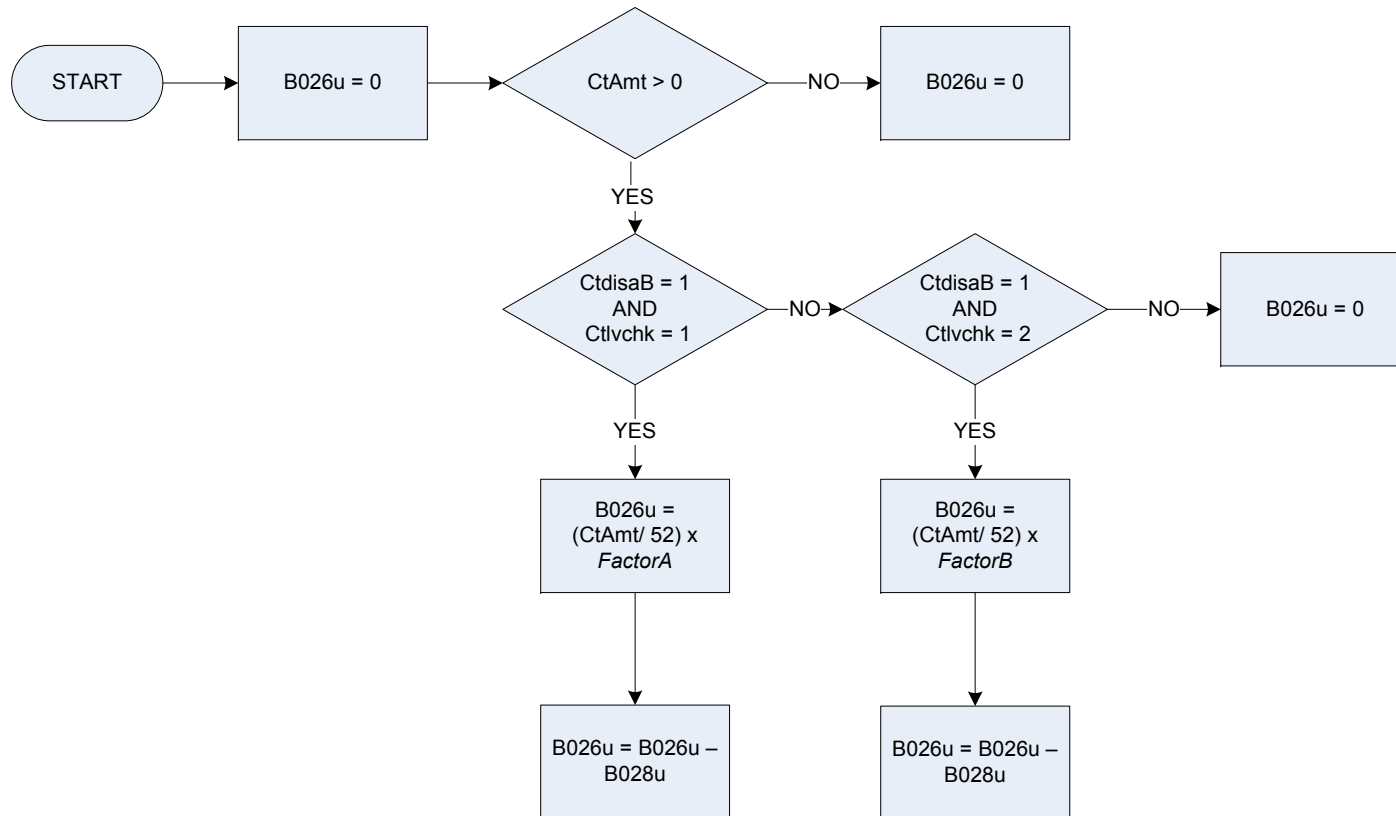


KEY

- B028p** Council tax - gross weekly amount payable
- Ctband** Council Tax Band
- Ctdisab** Was council tax bill reduced to a lower band because there is a disabled person in the household?
 1 Yes
 2 No
- Ctlvchk** Is Council Tax amount after reduction, or before it?
 1 Before
 2 After
- Ctproxy** Anonymised Council Tax amount
- Xctproxy** Temporary variable used for calculations: Anonymised Council Tax amount

COUNCIL TAX MULTIPLYING FACTORS		
Council Tax Band	FactorA	FactorB
Band A	6/6	7/6
Band B	7/6	8/6
Band C	8/6	9/6
Band D	9/6	11/6
Band E	11/6	13/6
Band F	13/6	15/6
Band G	15/6	18/6
Band H	18/6	21/6
Band I	21/6	NA

B026u – Council tax – amount of discount for disabled



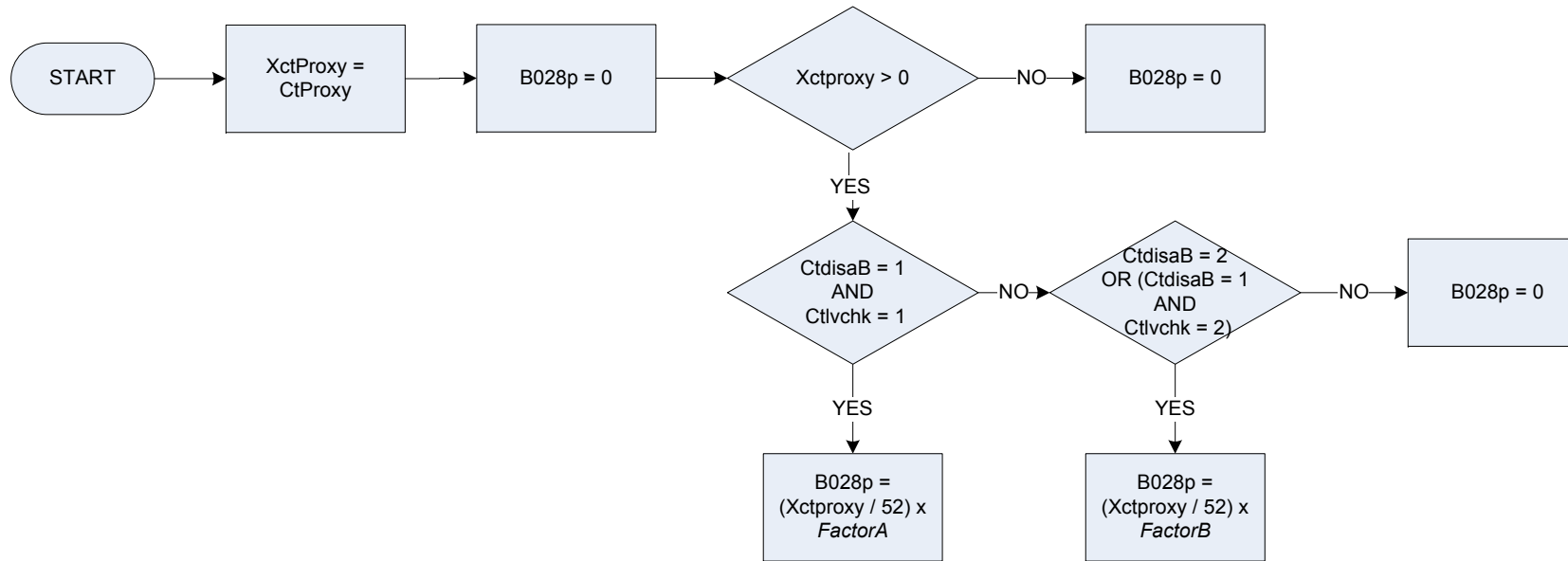
KEY

B028u	Council tax - gross weekly amount payable
CtAmt	Council Tax amount paid last time
Ctband	Council Tax Band
Ctdisab	Was Council Tax bill reduced to a lower band because there is a disabled person in the household?
	1 Yes
	2 No
Ctlvchk	Is Council Tax amount after reduction, or before it?
	1 Before
	2 After

COUNCIL TAX MULTIPLYING FACTORS

Council Tax Band	FactorA	FactorB
Band A	6/6	7/6
Band B	7/6	8/6
Band C	8/6	9/6
Band D	9/6	11/6
Band E	11/6	13/6
Band F	13/6	15/6
Band G	15/6	18/6
Band H	18/6	21/6
Band I	21/6	NA

B028p – Council tax – gross weekly amount payable - anonymised

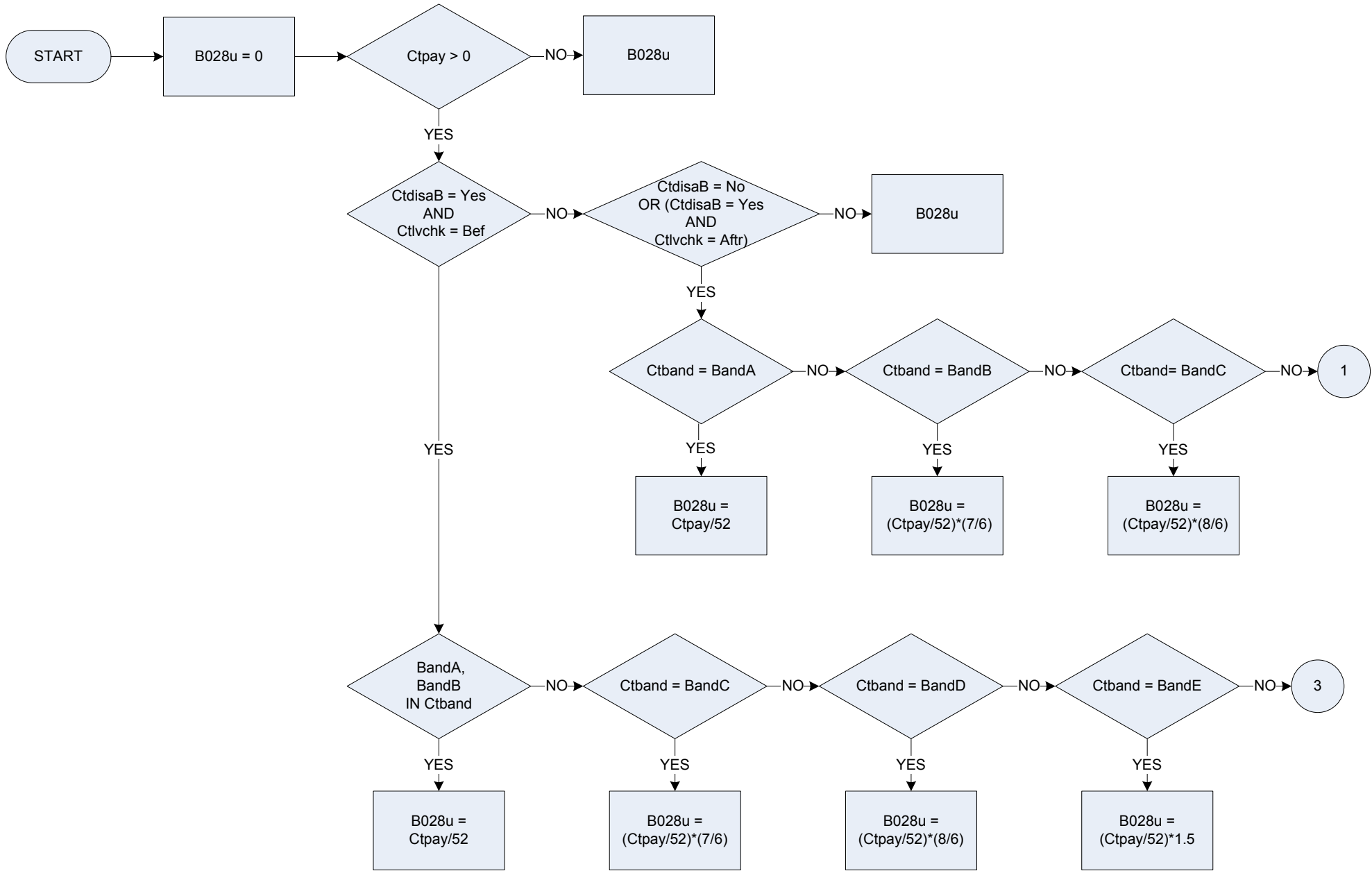


KEY

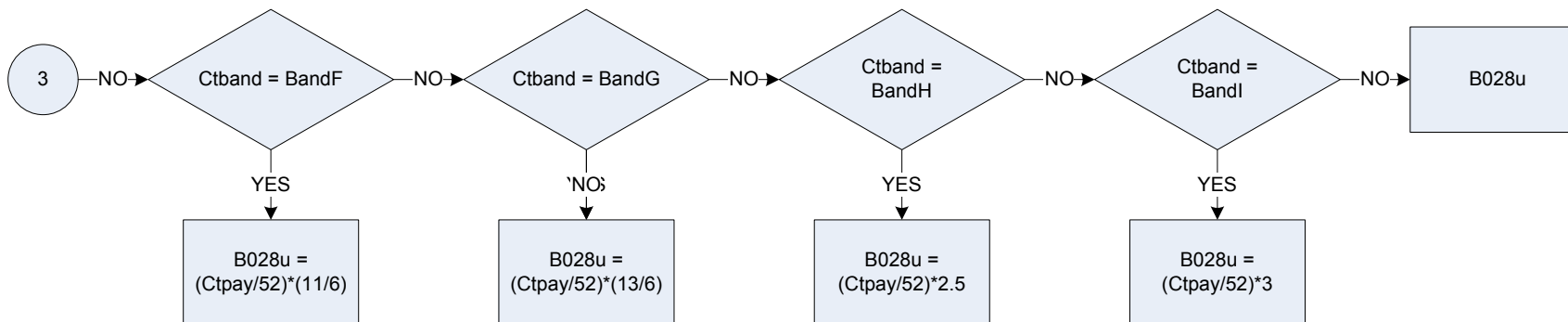
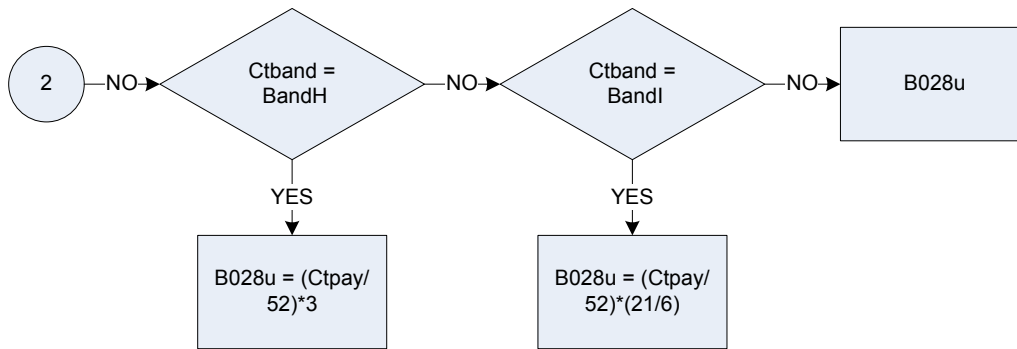
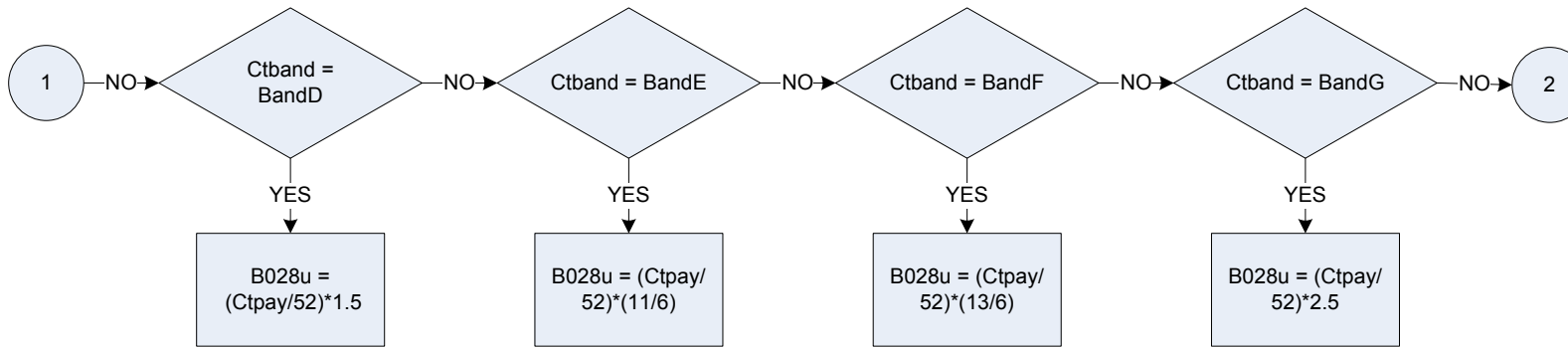
Ctband	Council Tax Band
Ctdisab	Was council tax bill reduced to a lower band because there is a disabled person in the household? 1 Yes 2 No
Ctlvchk	Is Council Tax amount after reduction, or before it? 1 Before 2 After
Ctproxy	Anonymised Council Tax amount
XCtproxy	Temporary variable used for calculations: Anonymised Council Tax amount

COUNCIL TAX MULTIPLYING FACTORS		
Council Tax Band	FactorA	FactorB
Band A	6/6	6/6
Band B	6/6	7/6
Band C	7/6	8/6
Band D	8/6	9/6
Band E	9/6	11/6
Band F	11/6	13/6
Band G	13/6	15/6
Band H	15/6	18/6
Band I	18/6	21/6

B028u – Council tax – gross weekly amount payable



B028u – Council tax – gross weekly amount payable

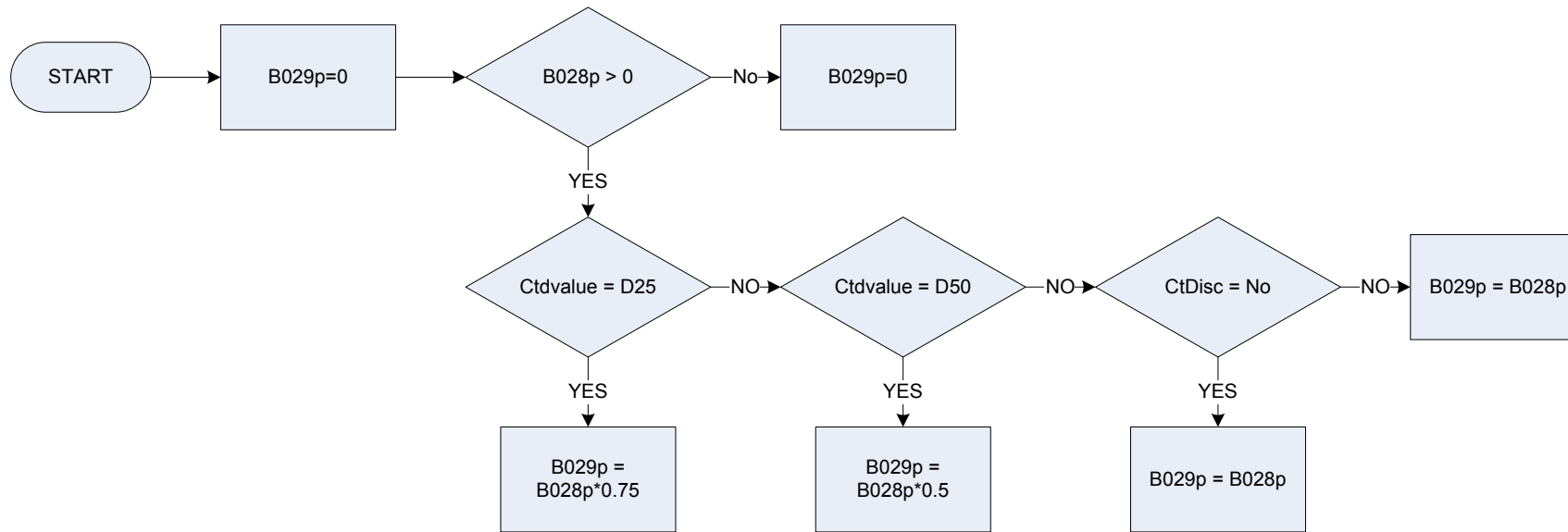


B028u – Council tax – gross weekly amount payable

KEY

Ctband	Which Council Tax band is the accommodation is in? BandA <i>Band A</i> BandB <i>Band B</i> BandC <i>Band C</i> BandD <i>Band D</i> BandE <i>Band E</i> BandF <i>Band F</i> BandG <i>Band G</i> BandH <i>Band H</i> BandI <i>Band I</i> NotApp <i>Household accommodation not valued separately</i>
CtdisaB	Was the respondent's council tax bill reduced to a lower band because there is a disabled person in their household? 1 <i>Yes</i> 2 <i>No</i>
Ctlvchk	Is that the band.., after this lower valuation or before it? Aftr <i>after this lower valuation</i> Bef <i>or before it?</i>
Ctpay	Council tax, Band A - England, Wales and Scotland only

B029p – Council tax payable after status discount



KEY

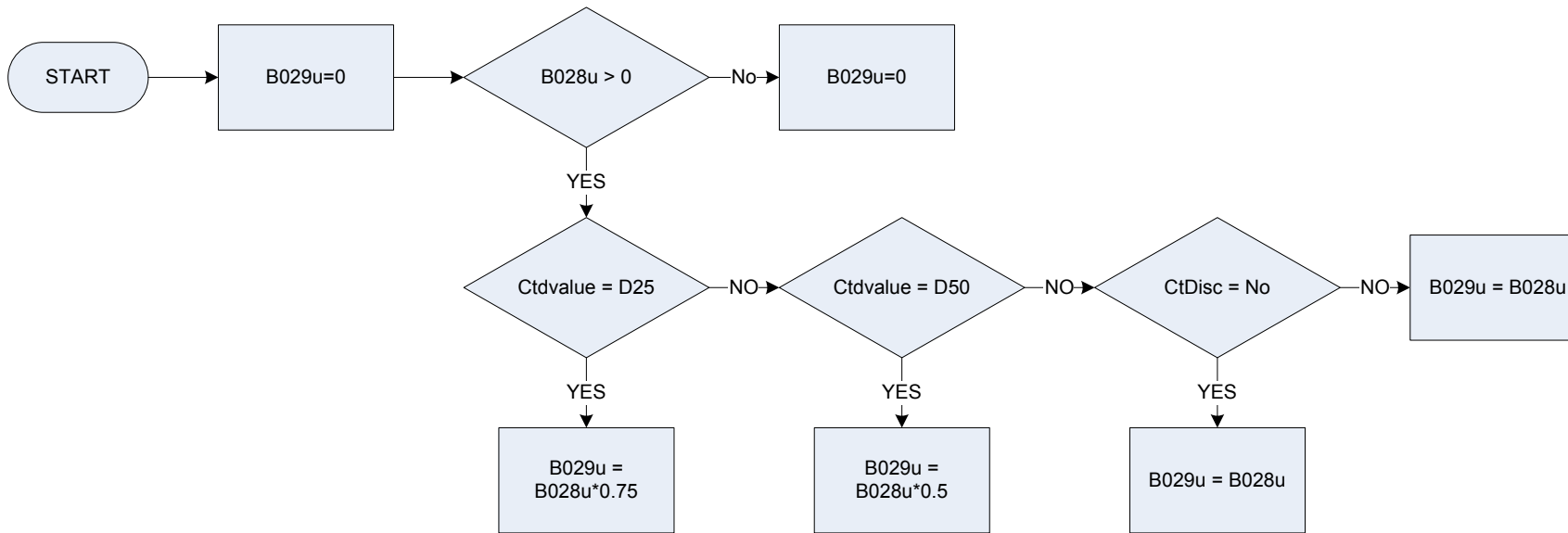
B028p Council tax – gross weekly amount payable

CTDisc Was the respondent allowed a status discount of 25% or 50% for any of the reasons shown on this card?
The general council tax assumes two adults per household. If only one adult at address, the bill will be reduced by one quarter. Some other adults are disregarded when working out the personal component of the tax. These are
a severely mentally impaired person
a person aged 18 or over who is still at school
a student
Student nurses
Apprentices
YT trainees
Care workers

If the household includes one or more such adults and one other adult who is not in these groups, a 25% discount will apply. If the household is comprised exclusively such adults, a 50% discount will apply. This will be rare.

CTDvalue Was the respondent allowed: a 25% discount; or a 50% discount?
D25 a 25% discount
D50 or a 50% discount?

B029u – Council tax payable after status discount



KEY

B029u
CTDisc

Council tax – gross weekly amount payable

Was the respondent allowed a status discount of 25% or 50% for any of the reasons shown on this card?

The general council tax assumes two adults per household. If only one adult at address, the bill will be reduced by one quarter.

Some other adults are disregarded when working out the personal component of the tax. These are:

a severely mentally impaired person

a person aged 18 or over who is still at school

a student

Student nurses

Apprentices

YT trainees

Care workers

If the household includes one or more such adults and one other adult who is not in these groups, a 25% discount will apply. If the household is comprised exclusively such adults, a 50% discount will apply. This will be rare.

Probe situations where informants say that they have been allowed a status discount but where it appears that a discount will not apply.

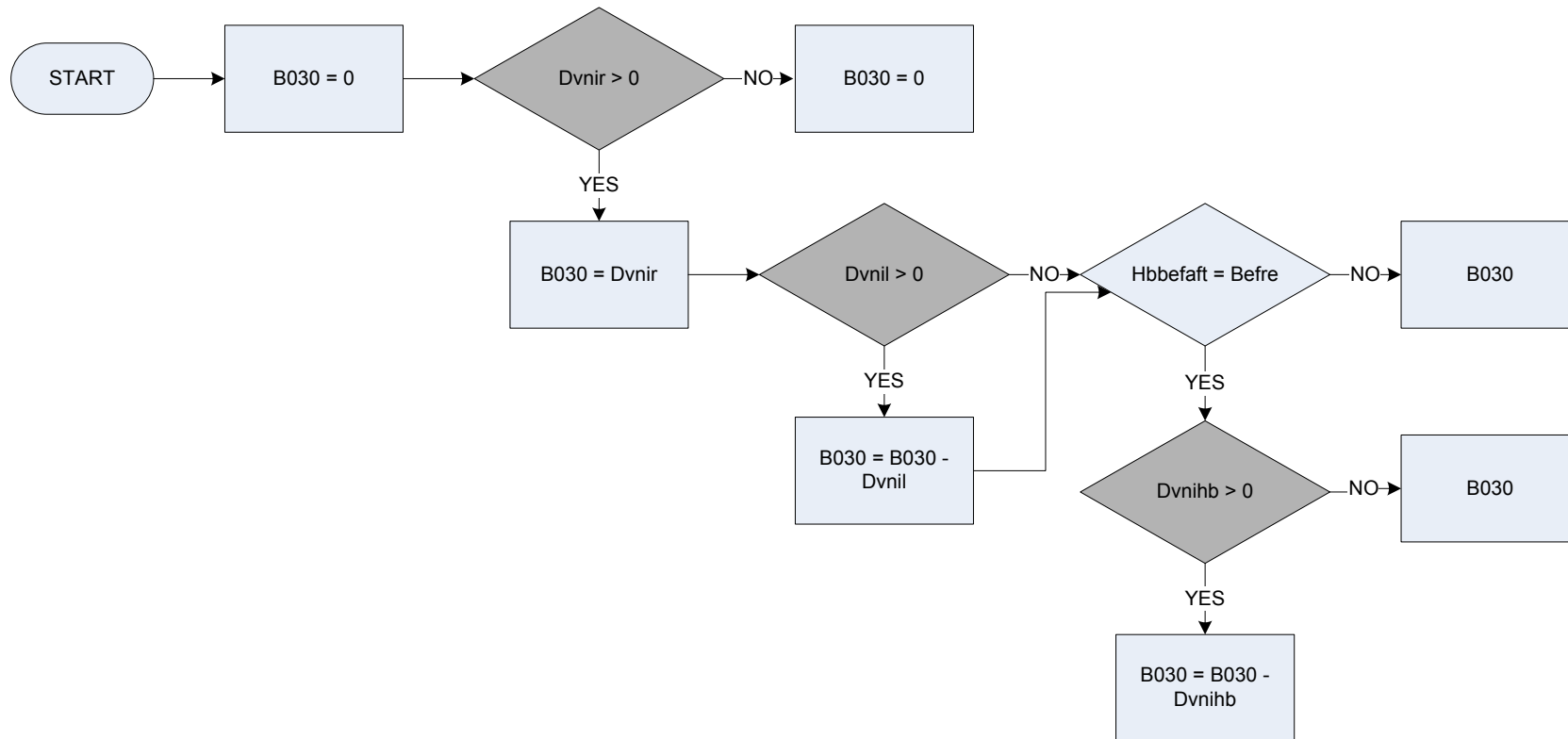
CTDval

Was the respondent allowed: a 25% discount; or a 50% discount?

D25 25% discount

D50 50% discount?

B030 – Domestic rates – last net payment



KEY

Dvnihb

Derived from RateDed to give a weekly amount – (RateDed - Northern Ireland Rates: How much was deducted?)

Dvnil

Derived from HbLAmt to give a weekly amount – (HbLAmt - Northern Ireland Rates: How much has the respondent received in lump sum rates rebates in the last 12 months?)

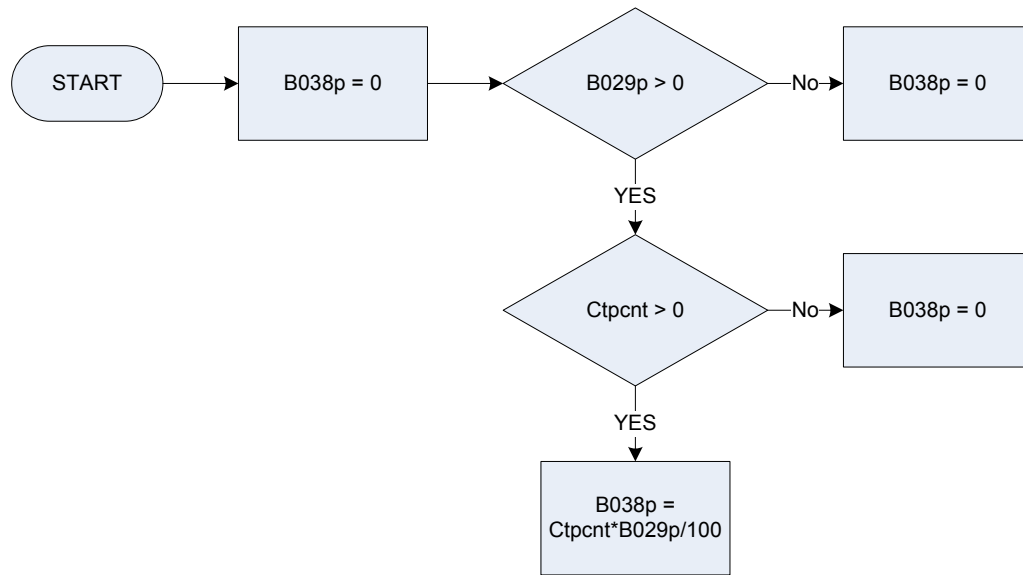
Dvnr

Derived from PayRAmt to give a weekly amount – (PayRAmt - Northern Ireland Rates: How much did the respondent pay last time?)

Hbbefaft

Was the amount the respondent paid last time in rates before or after deduction of the rates rebate?

B038p – Council tax – last payment weekly amount

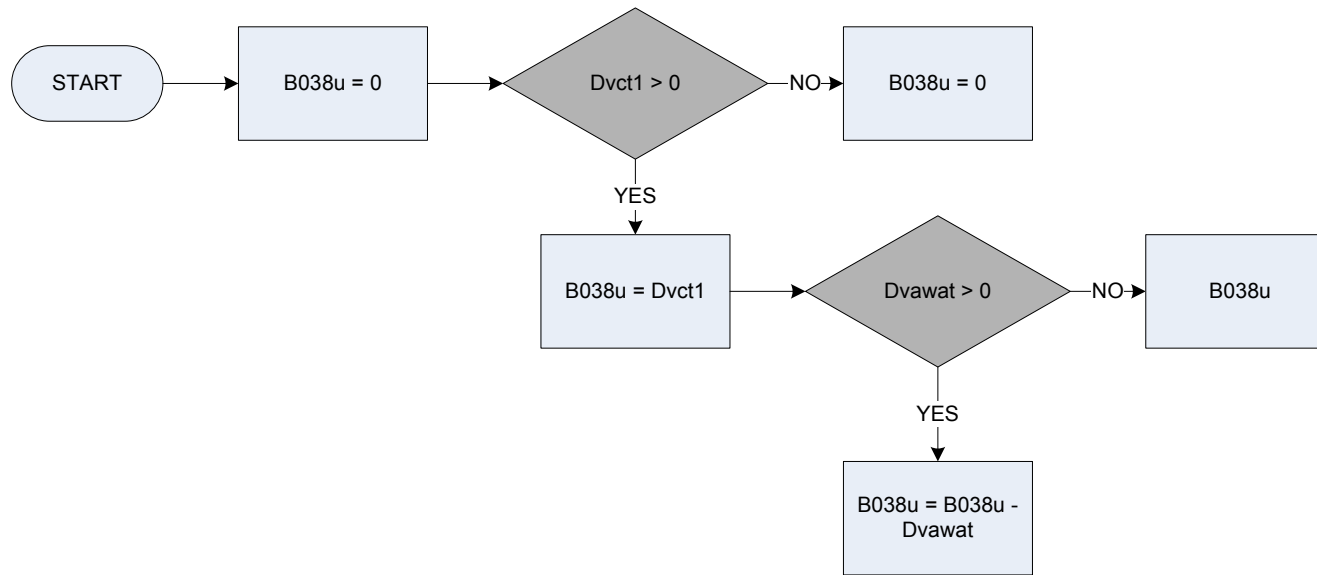


KEY

B029p
Ctpcnt

Council tax payable after status discount
Amount paid as percentage of amount due

B038u – Council tax – last payment weekly amount



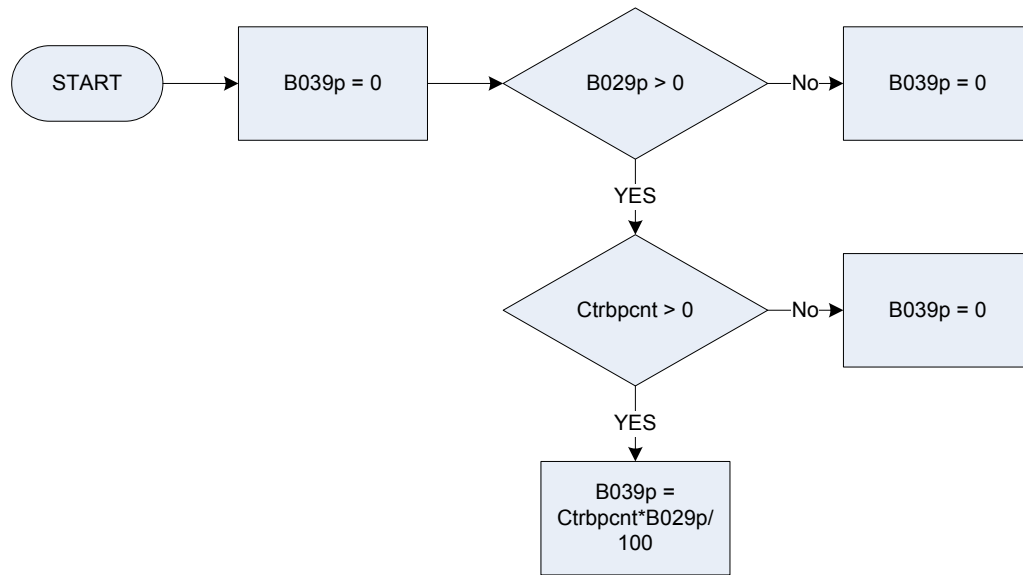
KEY

Dvawat
Dvct1

Derived from CTWat to give a weekly amount – (CTWat – Council Tax: How much was included in the last council tax payment for council water charge?)

Derived from CTAmt to give a weekly amount – (CTAmt - Council Tax: How much council tax did the respondent actually pay last time, after deducting any discounts or benefits?) 433

B039p – Council tax – amount of benefit/rebate weekly amount

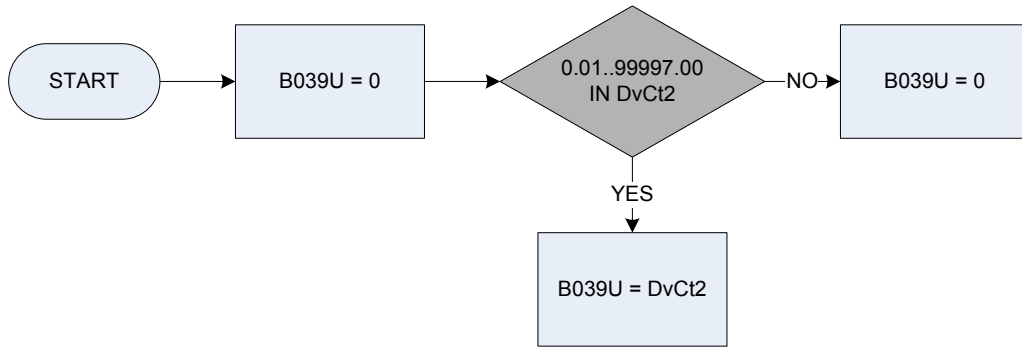


KEY

B029p
Ctrbpnt

Council tax payable after status discount
Rebate received as percentage of amount due

B039u – Council tax – amount of benefit/rebate weekly amount

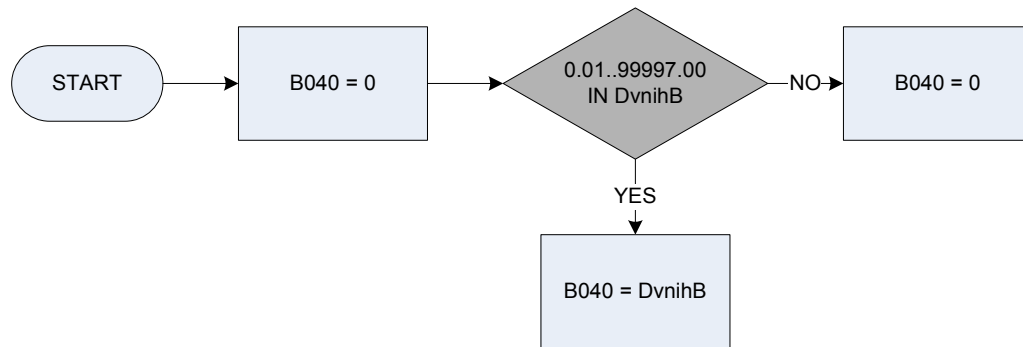


KEY

DvCt2

Derived from CTRebAmt to give a weekly amount – (CTRebAmt – Council Tax: How much rebate was allowed?)

B040 – Rates rebate deducted from last rates\rent - amount

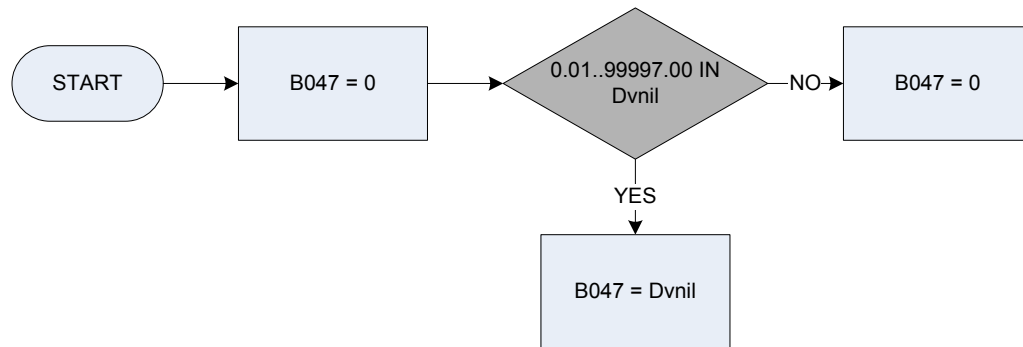


KEY

DvniHB

Derived from RateDed to give a weekly amount – (*RateDed – Northern Ireland Rates: How much was deducted?*)

B047 – Rates rebate - lump sum refunds last year

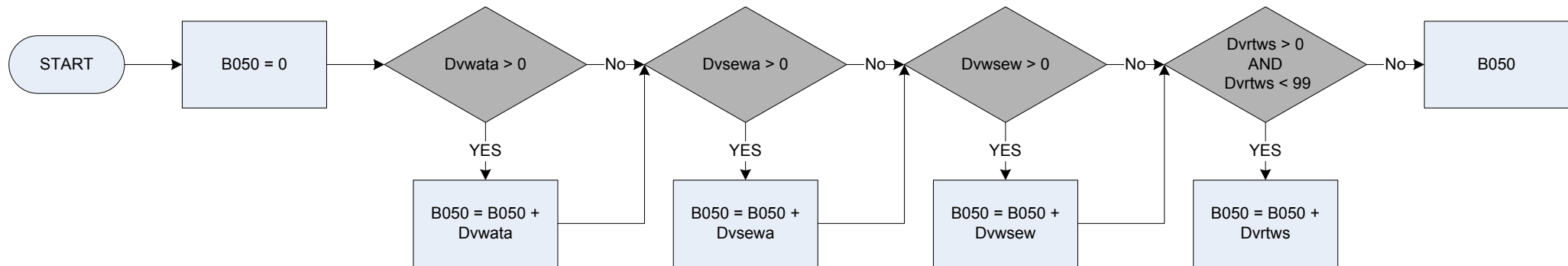


KEY

Dvnil

Derived from HblAmt to give a weekly amount – (*HblAmt - Northern Ireland Rates: How much has the respondent received in lump sum rates rebates in the last 12 months?*)

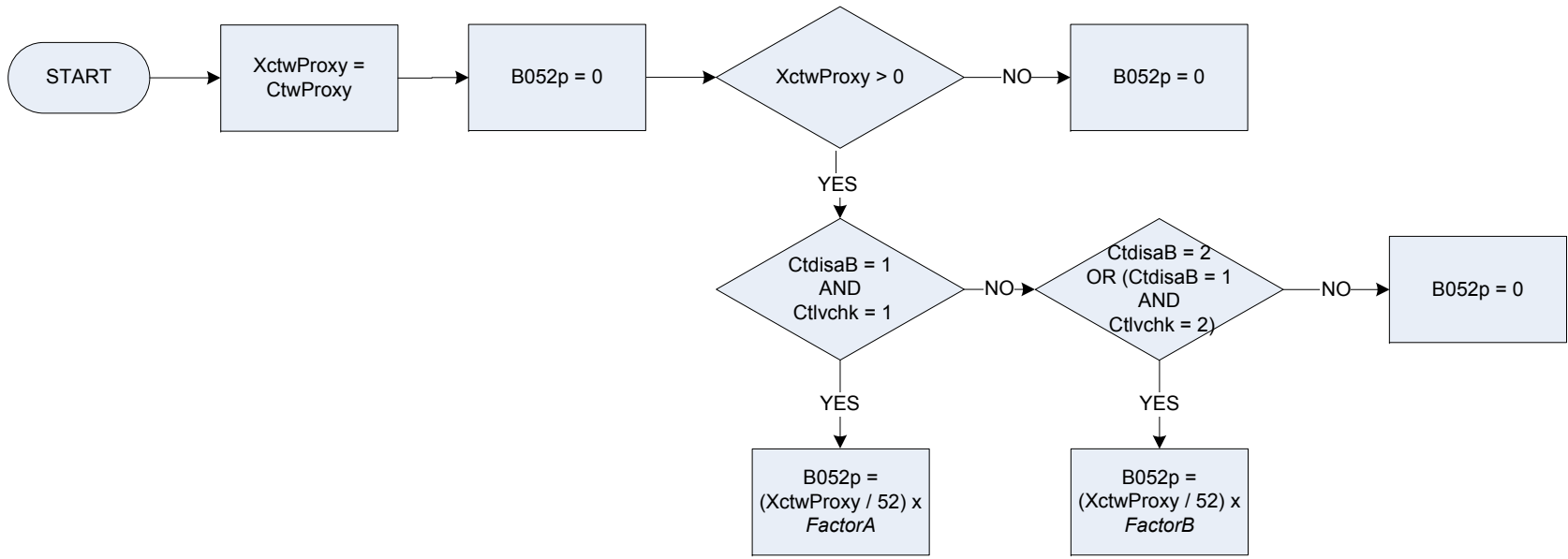
B050 – Water charges – last net payment



KEY

- Dvrtws** Derived from WsincAmt to give a weekly amount - (*WsincAmt – Rent: How much was included for water/sewerage in the amount mentioned?*)
- Dvsewa** Derived from SewAmt to give a weekly amount - (*SewAmt – Sewerage/Water Rates: How much did the respondent actually pay last time for sewerage rates/charges?*)
- Dvwata** Derived from WatAmt to give a weekly amount - (*WatAmt – Water Rates: How much did the respondent actually pay last time for water rates?*)
- Dvwsew** Derived from WsewAmt to give a weekly amount - (*WsewAmt – Sewerage/Water Rates: How much did the respondent actually pay last time for sewerage/water rates?*)

B052p – Council water tax - basic weekly amount payable - anonymised (Scotland only)

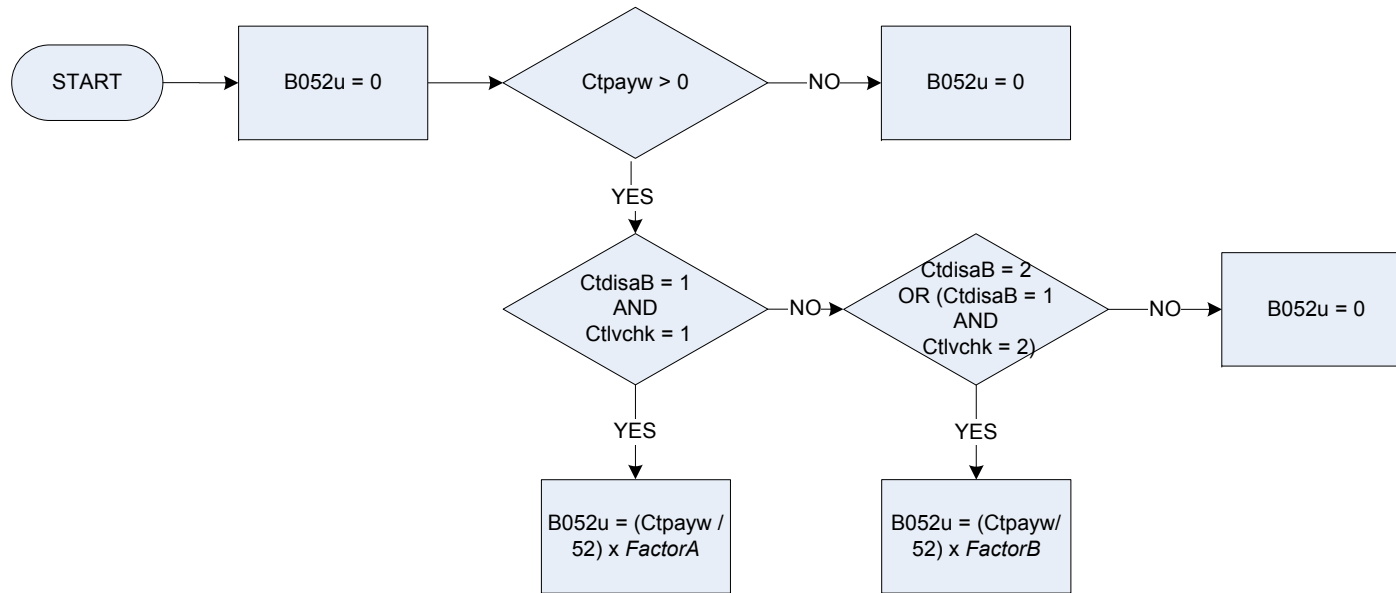


KEY

- Ctdisab** Was council tax bill reduced to a lower band because there is a disabled person in the household?
 1 Yes
 2 No
- Ctlvchk** Is Council Tax band after this lower valuation, or before it?
 1 Before
 2 After
- Ctband** Council Tax band of the accommodation
- CtdisaB** Was the respondent's council tax bill reduced to a lower band because there is a disabled person in the household?
- Ctwproxy** Anonymised Water Charges amount
- XCtwproxy** Temporary variable used for calculations: Anonymised Council Tax amount

COUNCIL TAX MULTIPLYING FACTORS		
Council Tax Band	FactorA	FactorB
Band A	6/6	6/6
Band B	6/6	7/6
Band C	7/6	8/6
Band D	8/6	9/6
Band E	9/6	11/6
Band F	11/6	13/6
Band G	13/6	15/6
Band H	15/6	18/6
Band I	NA	21/6

B052u – Council water tax - basic weekly amount payable (Scotland only)



KEY

Ctpayw
Ctivchk

Council Water tax, Band A - Scotland only.
Is Council Tax band after reduction, or before it?
1 Before
2 After

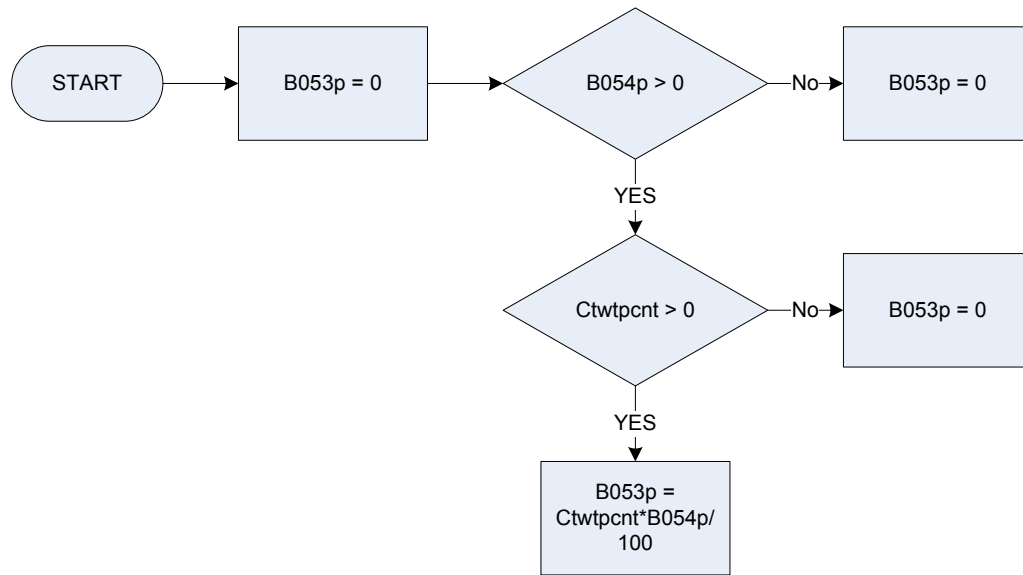
Ctband
CtdisaB

Which Council Tax band the accommodation is in.
Was the respondent's council tax bill reduced to a lower band because there is a disabled person in the household?
1 Yes
2 No

COUNCIL TAX MULTIPLYING FACTORS

Council Tax Band	FactorA	FactorB
Band A	6/6	6/6
Band B	6/6	7/6
Band C	7/6	8/6
Band D	8/6	9/6
Band E	9/6	11/6
Band F	11/6	13/6
Band G	13/6	15/6
Band H	15/6	18/6
Band I	NA	21/6

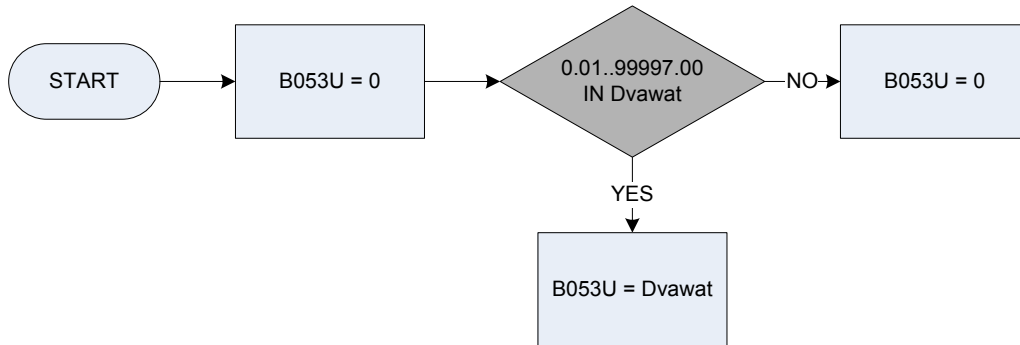
B053p – Council water tax – weekly amount paid



KEY

B054p Council water charge after status discount
Ctwtpcnt Council water charge: amount paid as percentage of amount due

B053u – Council water tax – weekly amount paid

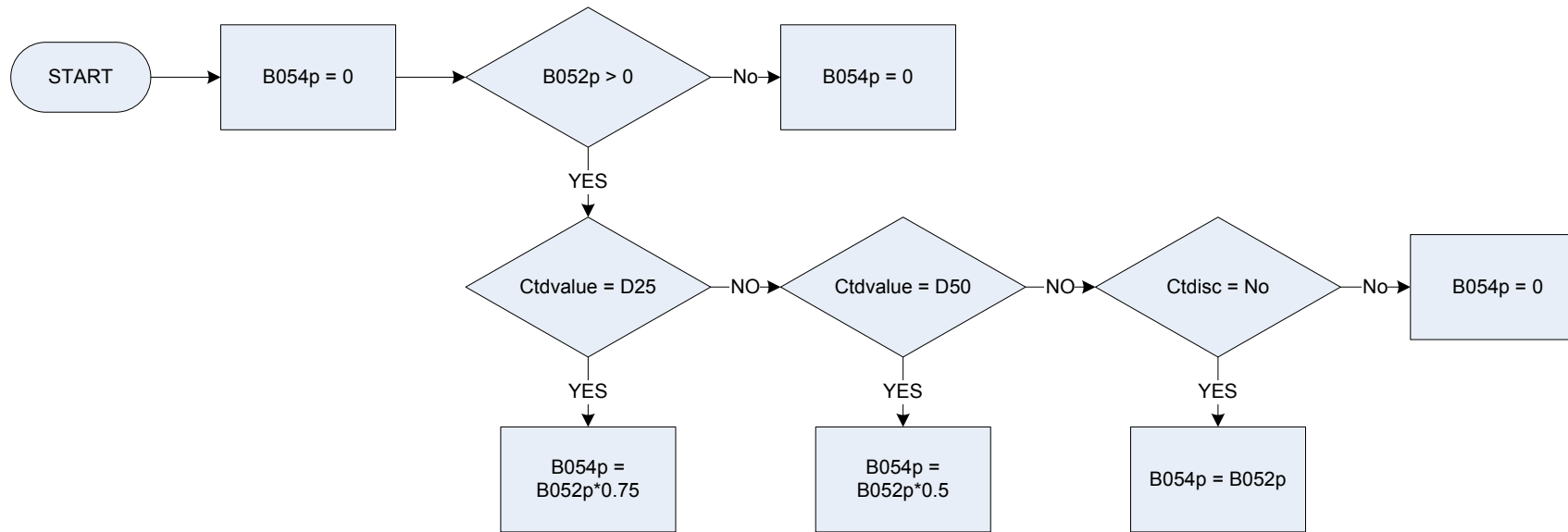


KEY

Dvawat

Derived from CTWat to give a weekly amount – (CTWat – Council Tax: How much was included in the last council tax payment for council water charge?)

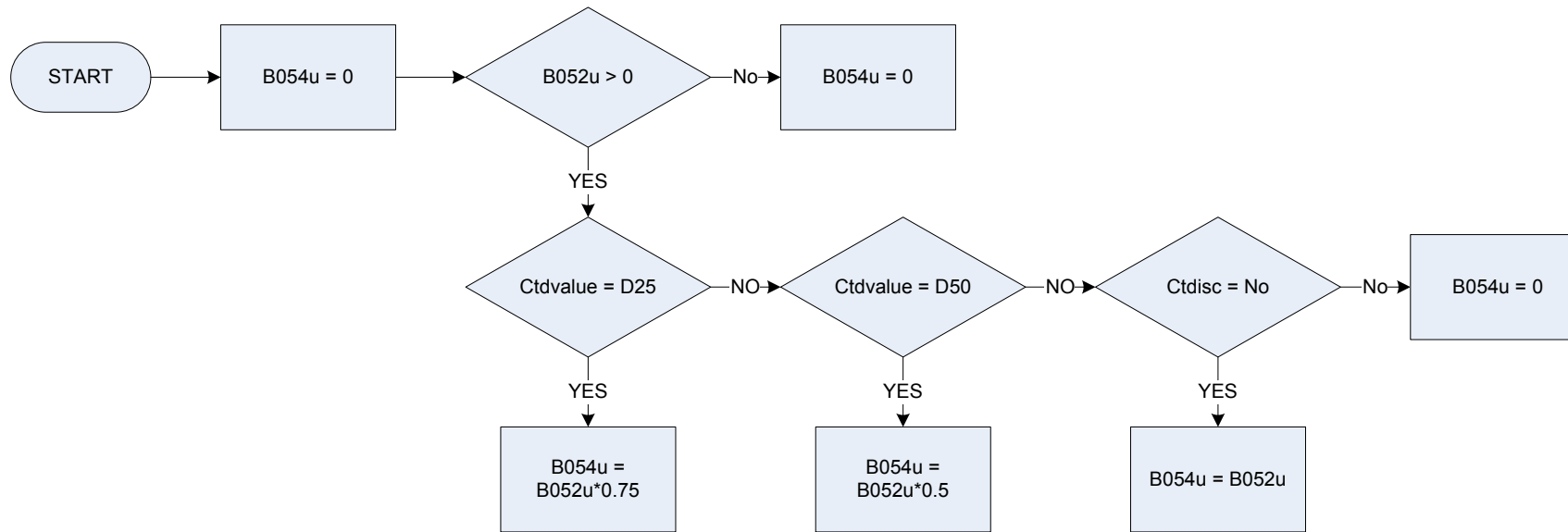
B054p – Council water charge after status discount



KEY

B052p	Council water tax – basic weekly amount payable
Ctdisc	Was the respondent allowed a status discount of 25% or 50% for any of the reasons shown on this card?
1	Yes
2	No
Ctdvalue	Was the respondent allowed a 25% or 50% discount?
D25	a 25% discount
D50	or a 50% discount?

B054u – Council water charge after status discount



KEY

B052u
Ctdisc

Council water tax – basic weekly amount payable
Was the respondent allowed a status discount of 25% or 50% for any of the reasons shown on this card?

1 Yes

2 No

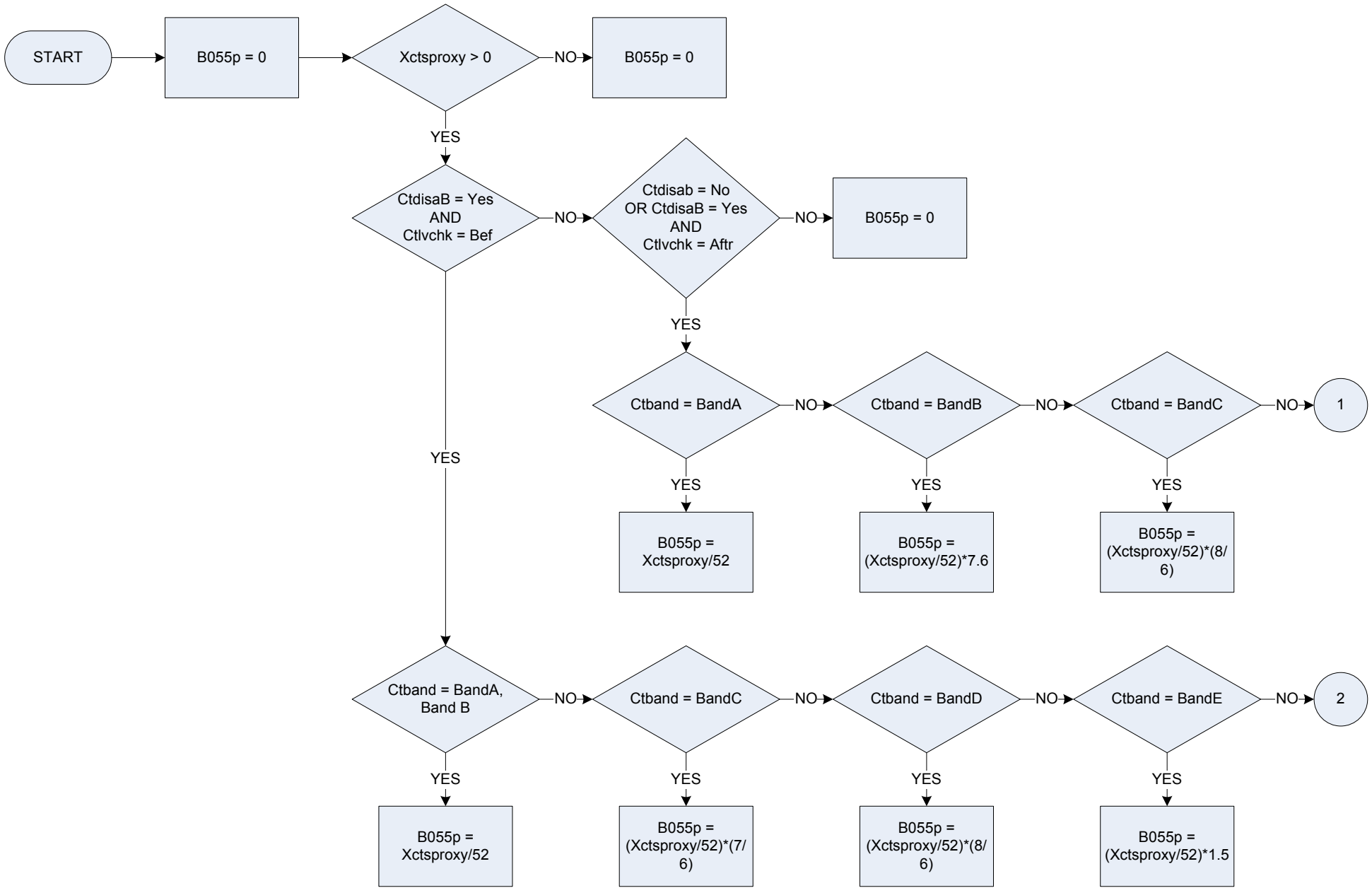
Ctdvalue

Was the respondent you allowed a 25% discount; or a 50% discount?

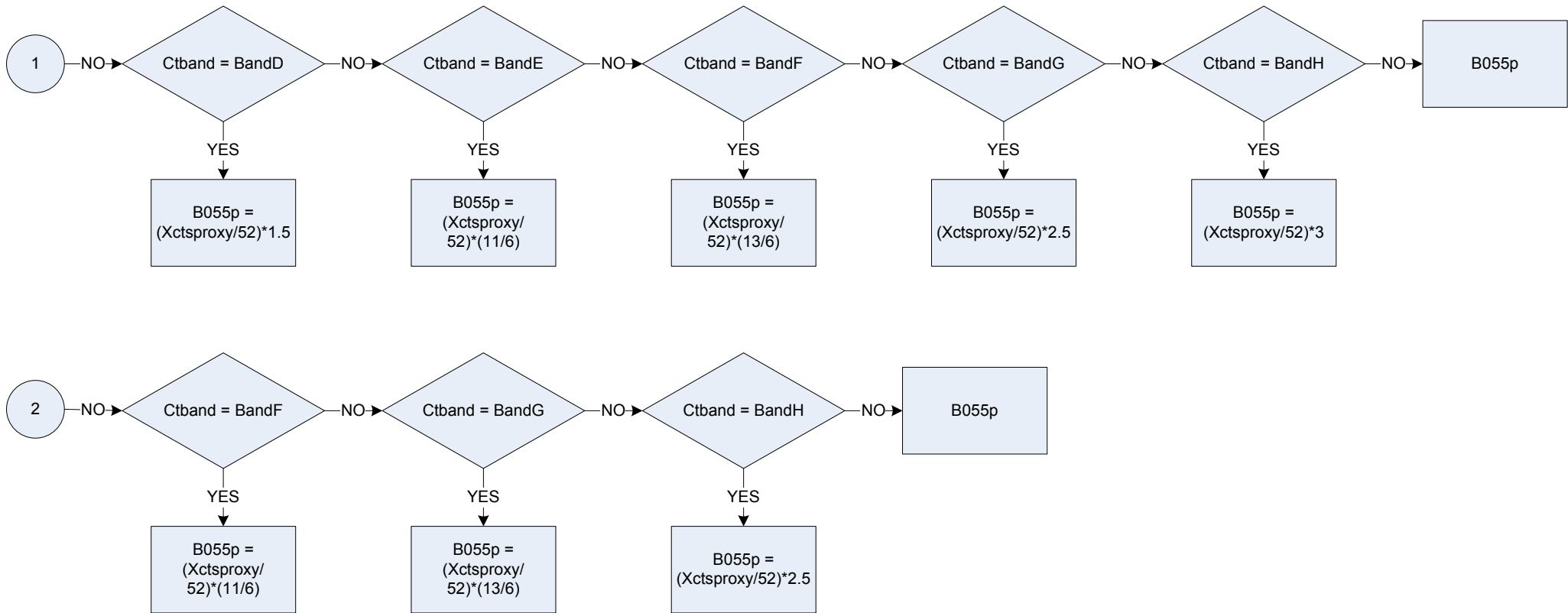
D25 a 25% discount

D50 or a 50% discount?

B055p – Council sewerage tax - basic weekly amount



B055p – Council sewerage tax - basic weekly amount



KEY

CTBand

Which Council Tax band the accommodation is in?

BandA Band A
BandB Band B
BandC Band C
BandD Band D
BandE Band E
BandF Band F
BandG Band G
BandH Band H
BandI Band I
NotApp Household accommodation, not valued separately

CtdisaB

Was the respondent's council tax bill reduced to a lower band because there is a disabled person in the household?

1 Yes
2 No

CTLVchk

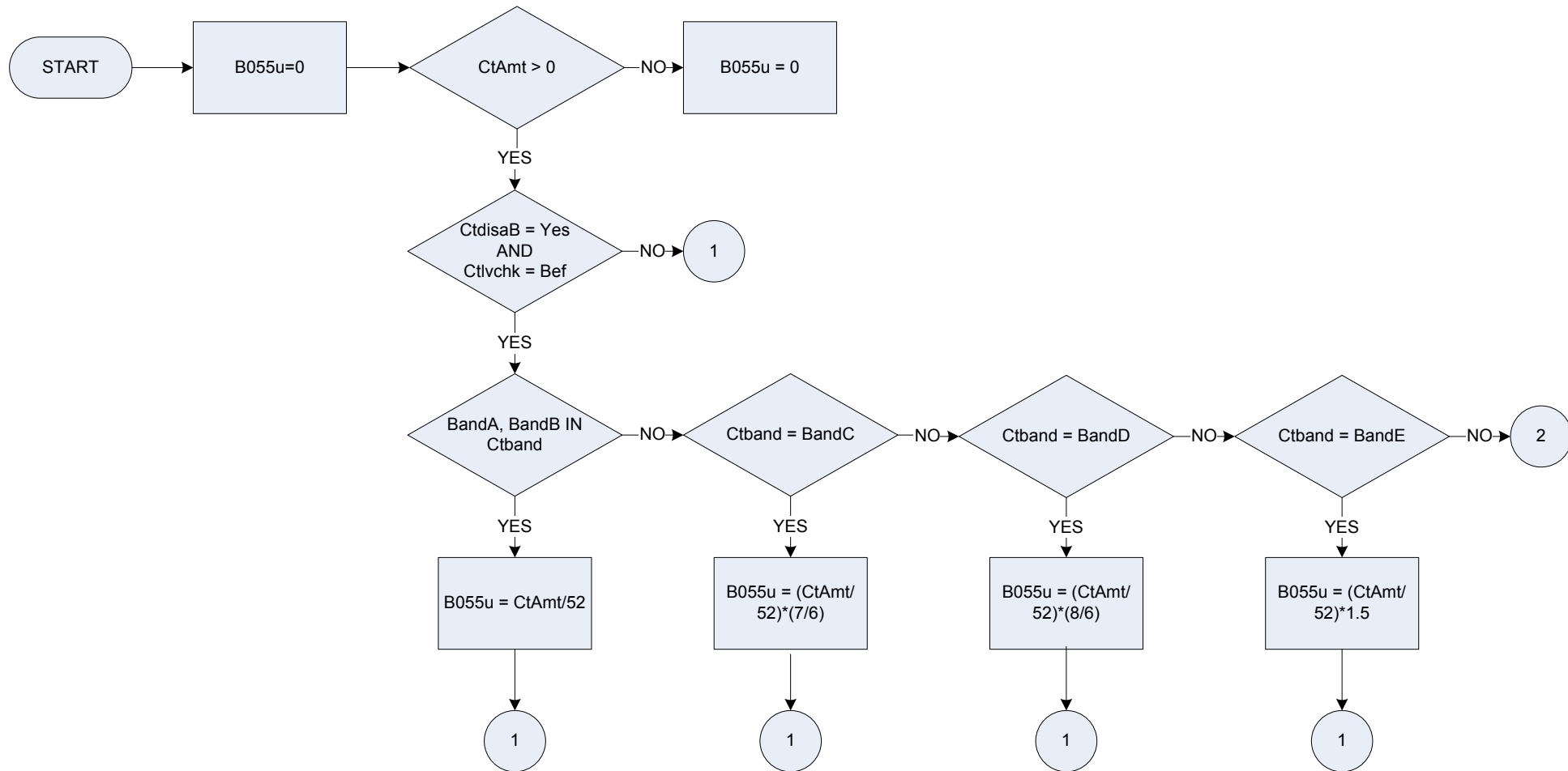
Is this the band: after this lower valuation; or before it?

1 After
2 Before

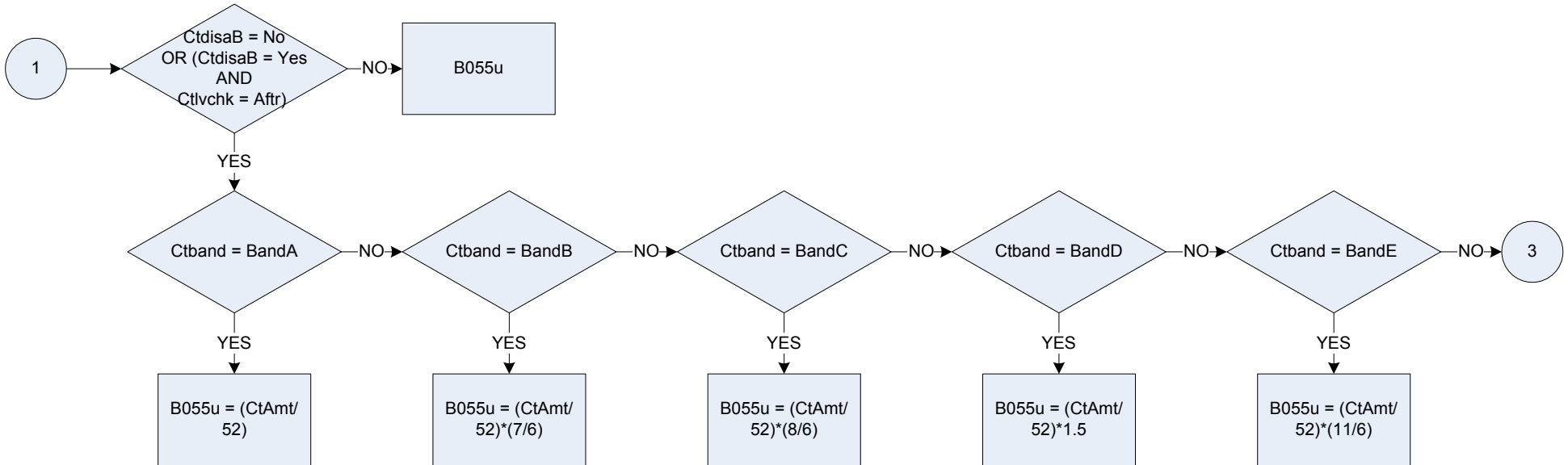
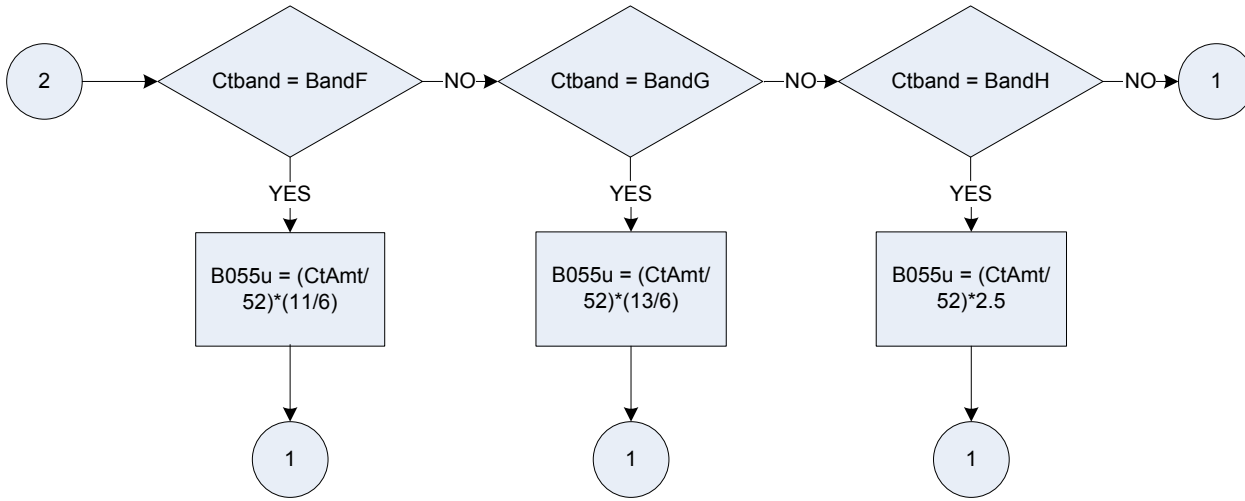
Xctsproxy

Temporary variable used in calculations – Anonymised Council sewerage charge

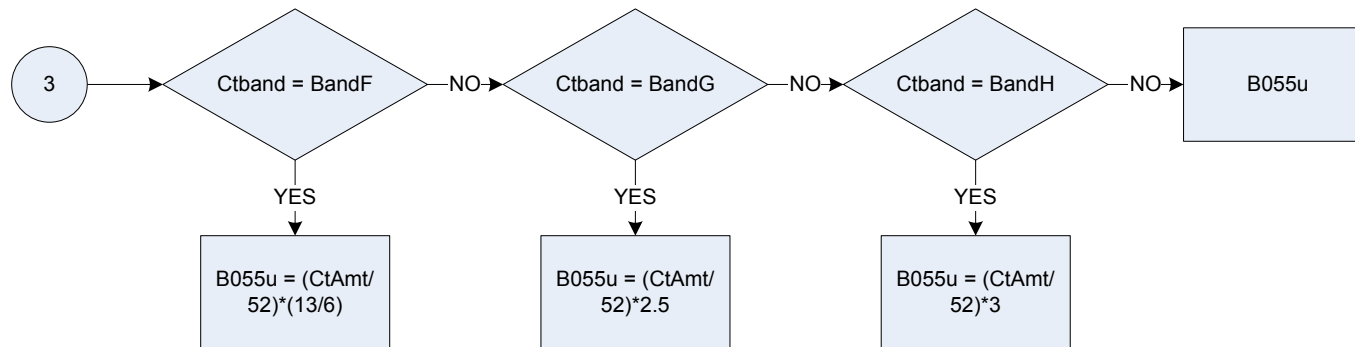
B055u – Council sewerage tax – basic weekly amount payable



B055u – Council tax – amount of discount for disabled



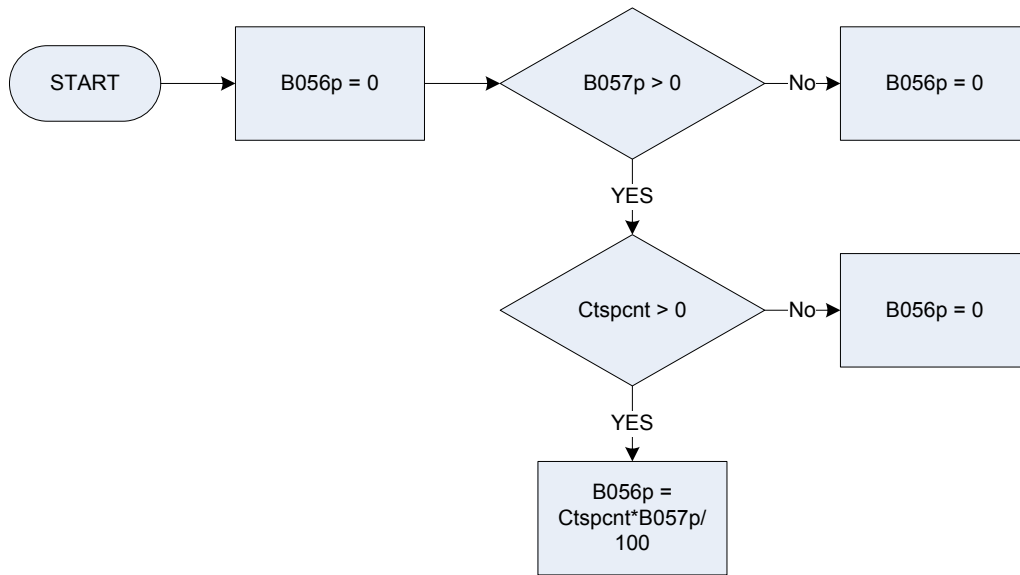
B055u – Council tax – amount of discount for disabled



KEY

CtAmt	How much council tax did the respondent actually pay last time, after deducting any discounts or benefits? Band A - England, Wales and Scotland only
Ctband	Which Council Tax band the accommodation is in?
BandA	<i>Band A</i>
BandB	<i>Band B</i>
BandC	<i>Band C</i>
BandD	<i>Band D</i>
BandE	<i>Band E</i>
BandF	<i>Band F</i>
BandG	<i>Band G</i>
BandH	<i>Band H</i>
BandI	<i>Band I</i>
NotApp	<i>Household accommodation not valued separately</i>
CtdisaB	Was the respondent's council tax bill reduced to a lower band because there is a disabled person in your household?
Ctlvchk	Is this the band: after this lower valuation; or before it?

B056p – Council sewerage tax – weekly amount paid

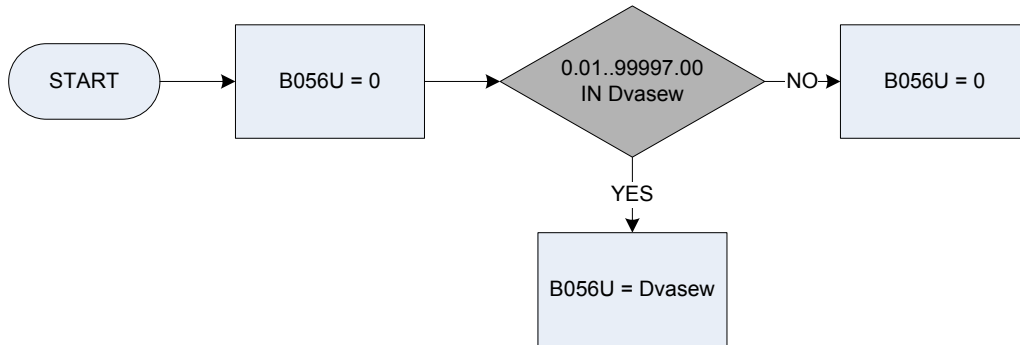


KEY

B057p
Ctspcnt

Council sewerage charge after status discount
Council sewerage charge: amount as percentage of amount due

B056u – Council sewerage tax – weekly amount paid

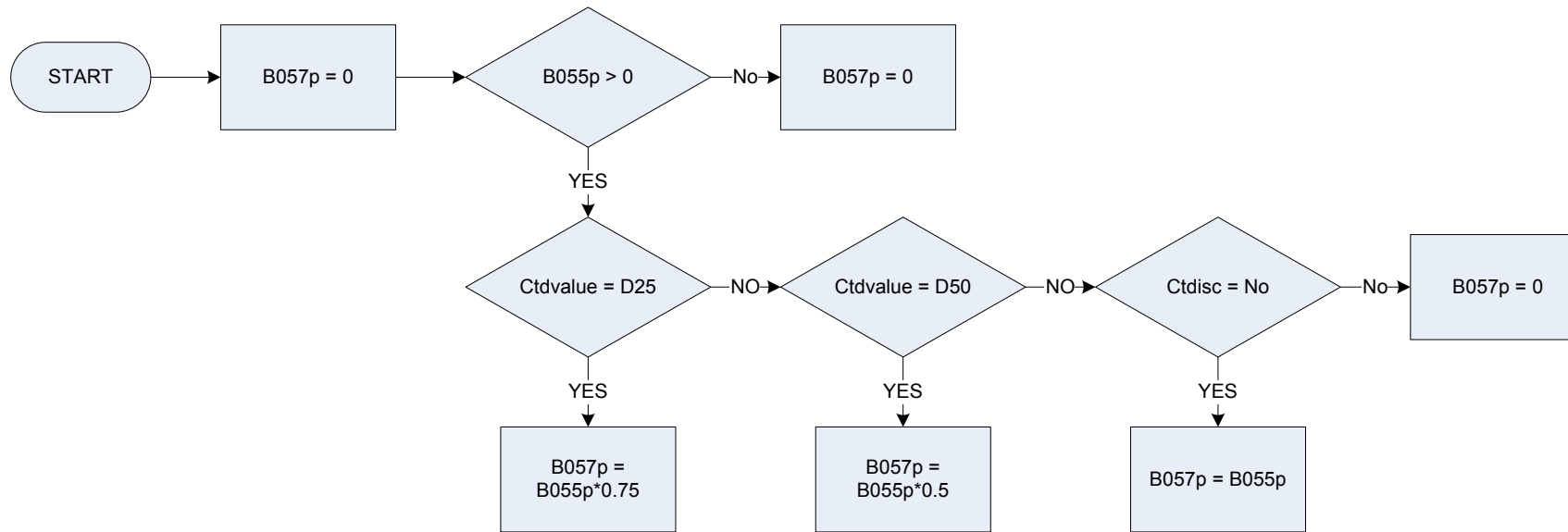


KEY

Dvasew

Derived from CTSeW to give a weekly amount – (CTSeW – Council Tax: How much was included in the last council tax payment for council Sewerage charge?)

B057p – Council sewerage charge after status discount



KEY

B055p
Ctdisc

Council sewerage tax – basic weekly amount
Was the respondent allowed a status discount of 25% or 50% for any of the reasons shown on this card?

1 Yes

2 No

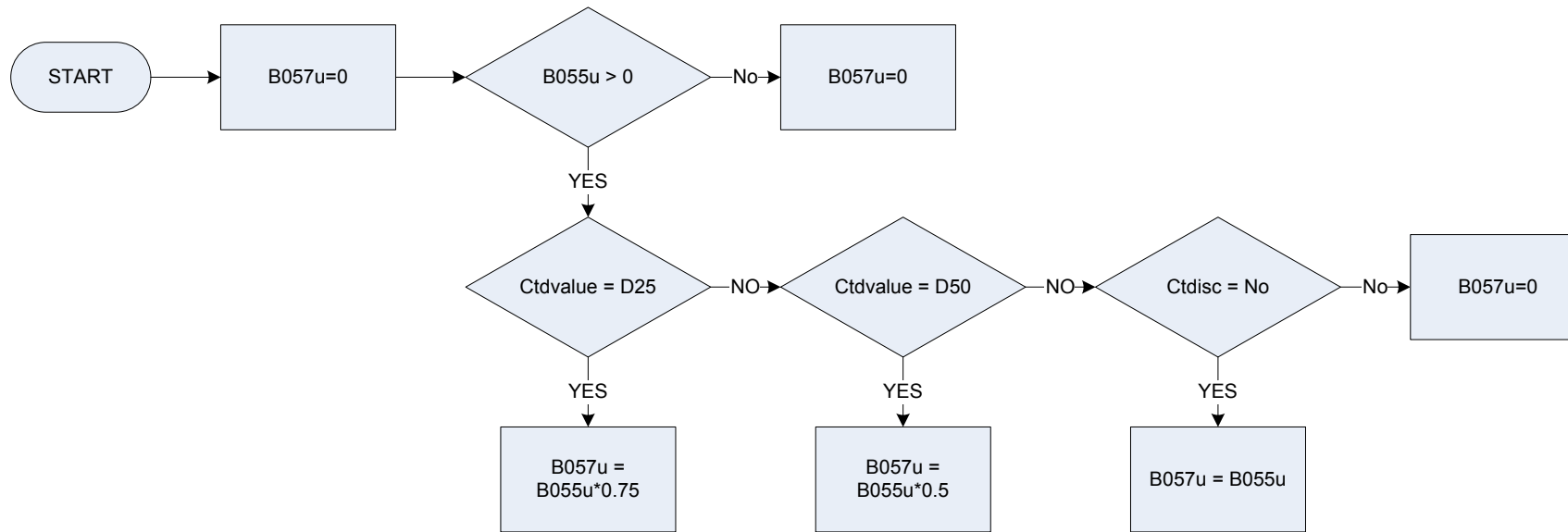
Ctdvalue

Was the respondent allowed a 25% discount or a 50% discount?

D25 a 25% discount

D50 or a 50% discount?

B057u – Council sewerage charge after status discount



KEY

B055u
Ctdisc

Council sewerage tax – basic weekly amount
Was the respondent allowed a status discount of 25% or 50% for any of the reasons shown on this card?
Some other adults are disregarded when working out the personal component of the tax. These are:

a severely mentally impaired person
a person aged 18 or over who is still at school
a student
Student nurses
Apprentices
YT trainees
Care workers

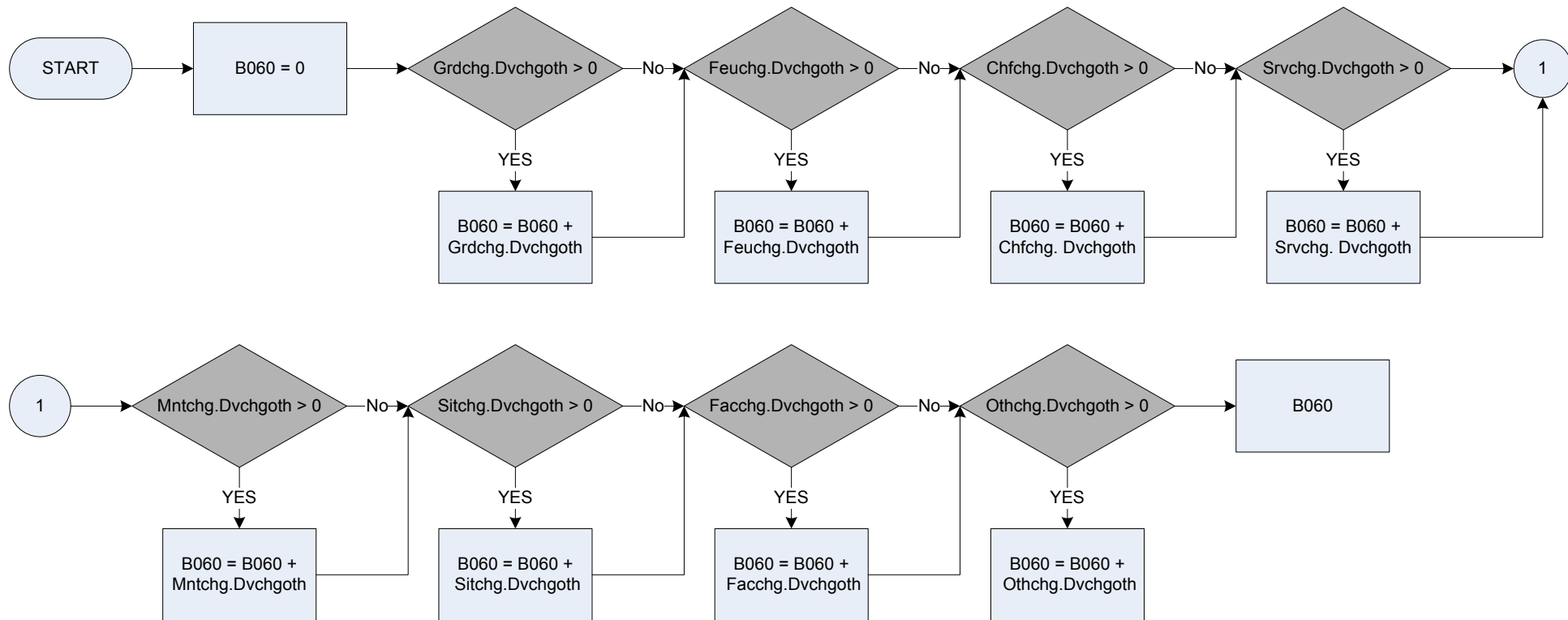
CtdValue

If the household includes one or more such adults and one other adult who is not in these groups, a 25% discount will apply. If the household is comprised exclusively such adults, a 50% discount will apply. This will be rare.

Was the respondent allowed: a 25% discount; or a 50% discount?

D25 a 25% discount
D50 or a 50% discount?

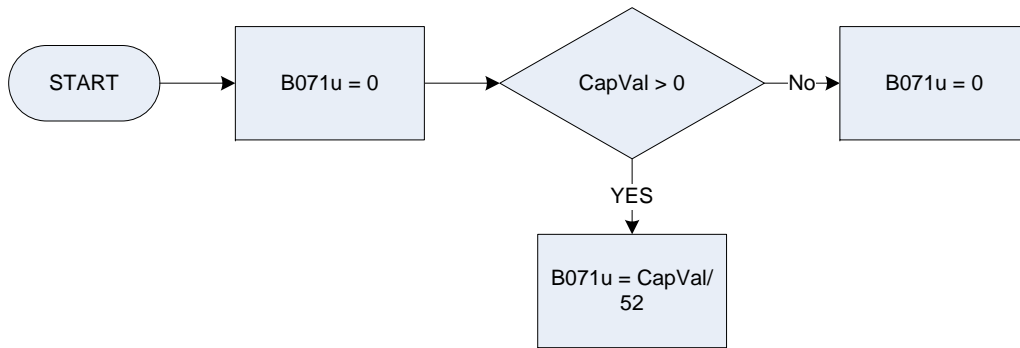
B060 – Other regular housing payments



KEY

Chfchg	Chief Rent
Dvchgoth	Derived from OthPyAm to give a weekly amount – (OthPyAm – Accommodation: How much did you pay last time?)
Facchg	Factoring (Scotland)
Feuchg	Feu duty (Scotland)
Grdchg	Ground Rent
Mntchg	Compulsory or regular maintenance charges
Othchg	Any other regular payments
Sitchg	Site rent (caravans)
Srvchg	Service charge

B071u – Capital value of property (Northern Ireland only)

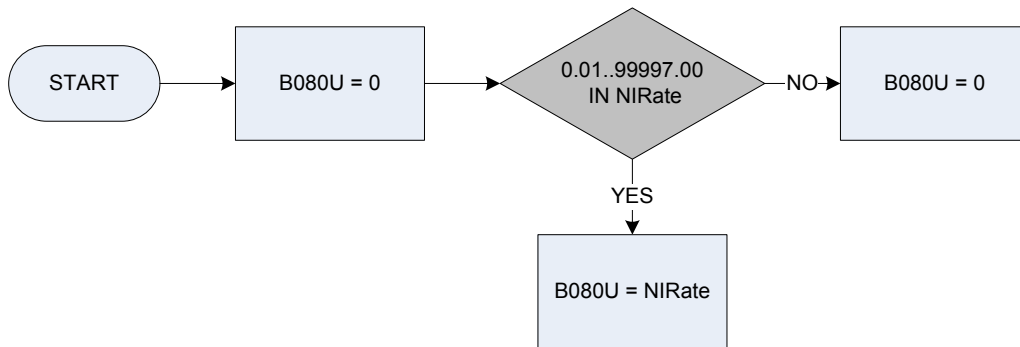


KEY

CapVal

The capital value of the household

B080u – Domestic rates - poundage

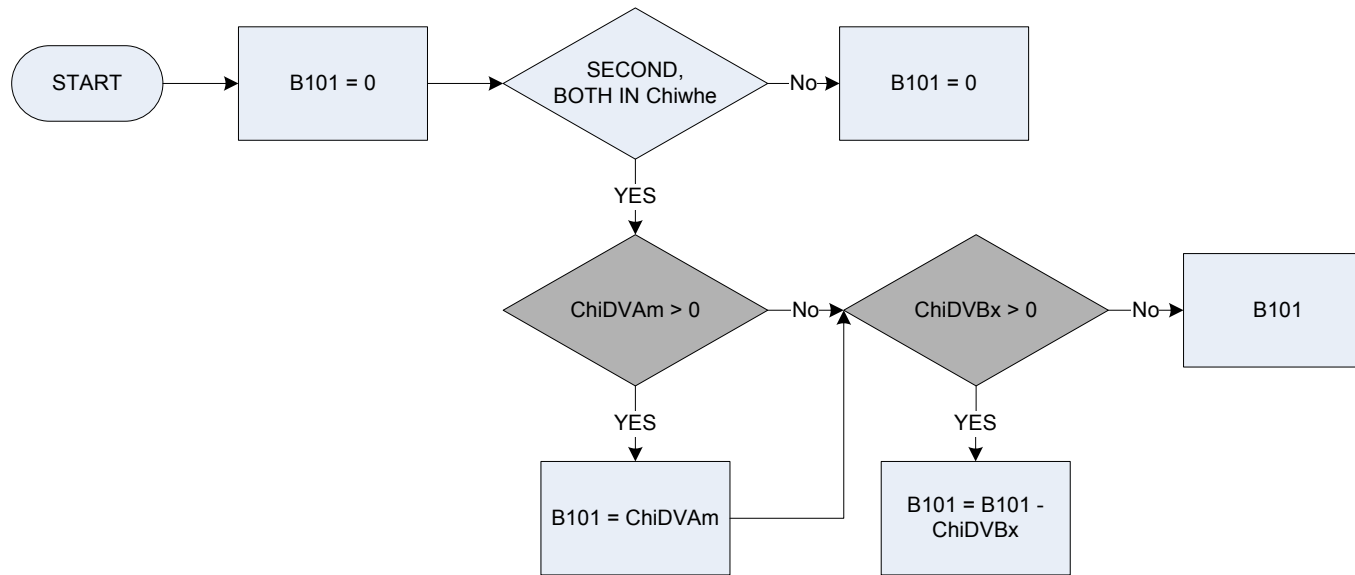


KEY

NIRate

Domestic rates poundage - Northern Ireland only

B101 – Central heating installed – second dwelling



KEY

ChiDVAm
ChiDVBx
Chiwhe

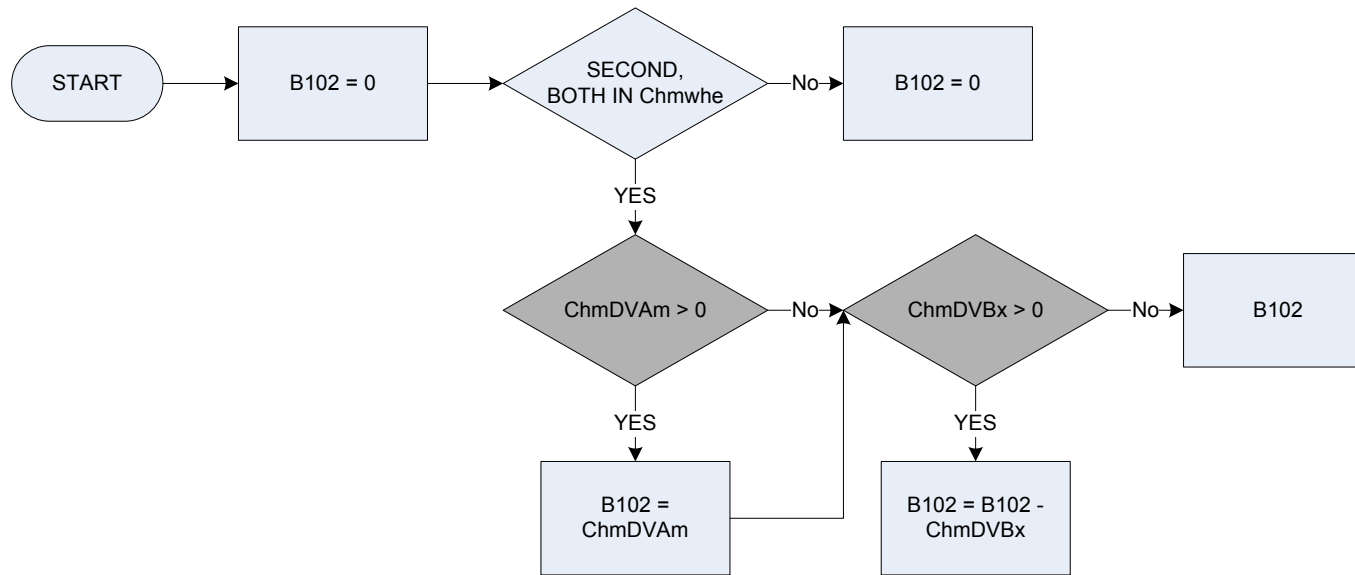
Derived from CHIAmt to give a weekly amount – (CHIAmt – Central Heating: In the last 12 months, how much in total did the respondent pay, excluding any interest paid on loans?)

Derived from CHIBAm to give a weekly amount – (CHIBAm – Central Heating: How much was/will be reclaimed?)

Was this work carried out at respondent's:

Main *main dwelling*
Second *second dwelling*
both *or both?*

B102 – Central heating repairs – second dwelling



KEY

ChmDVAm
ChmDVBx
Chmwhe

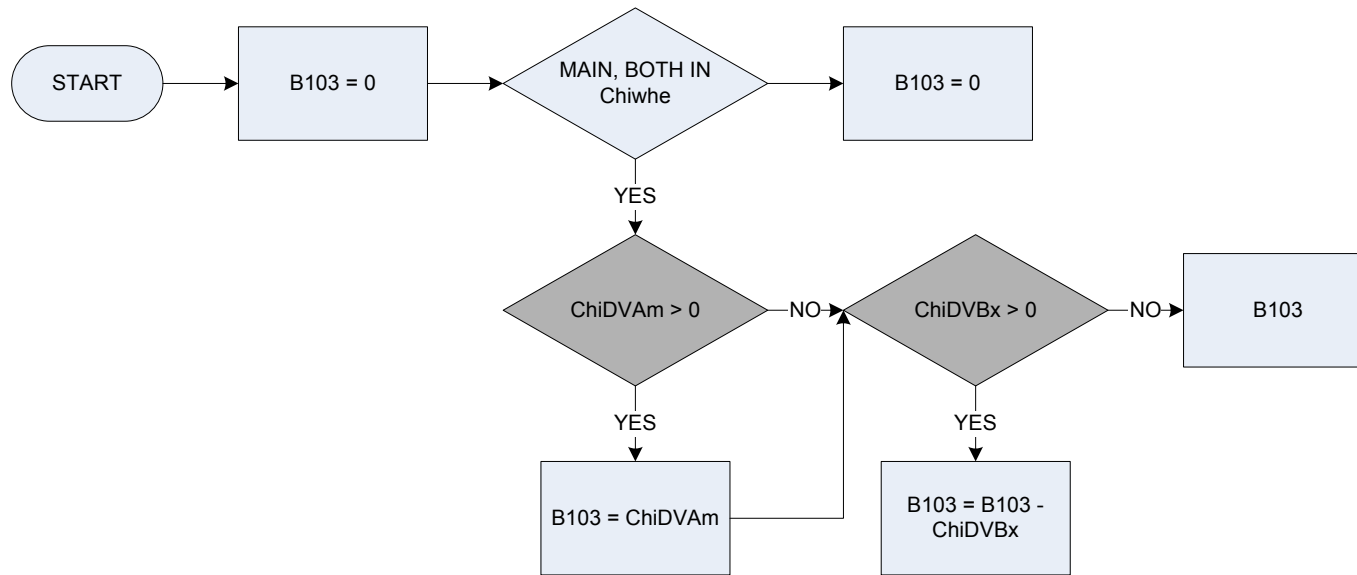
Derived from ChmAmt to give a weekly amount – (*ChmAmt* – Central Heating: In the last 12 months, how much in total did the respondent pay, excluding any interest paid on loans?)

Derived from ChmBAmt to give a weekly amount – (*ChmBAmt* – Central Heating: How much was/will be reclaimed?)

Was this work carried out at respondent's:

Main *main dwelling*
Second *second dwelling*
both *or both?*

B103 – Central heating installed – main dwelling



KEY

ChiDVAm
ChiDVBx
Chmwhe

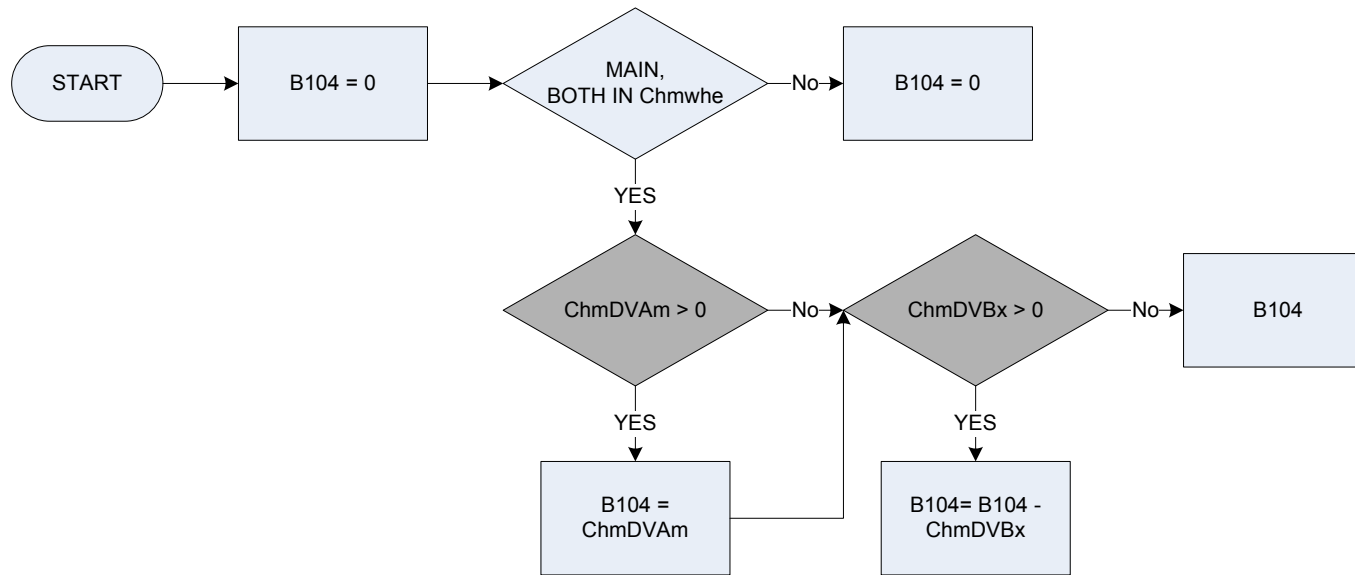
Derived from ChiAmt to give a weekly amount – (*ChiAmt – Central Heating: In the last 12 months, how much in total did the respondent pay, excluding any interest paid on loans?*)

Derived from ChiBAmt to give a weekly amount – (*ChiBAmt – Central Heating: How much was/will be reclaimed?*)

Was this work carried out at respondent's:

Main *main dwelling*
Second *second dwelling*
both *or both?*

B104 – Central heating repairs – main dwelling



KEY

Chmwhe

Was this work carried out at respondent's:

Main *main dwelling*
Second *second dwelling*
both *or both?*

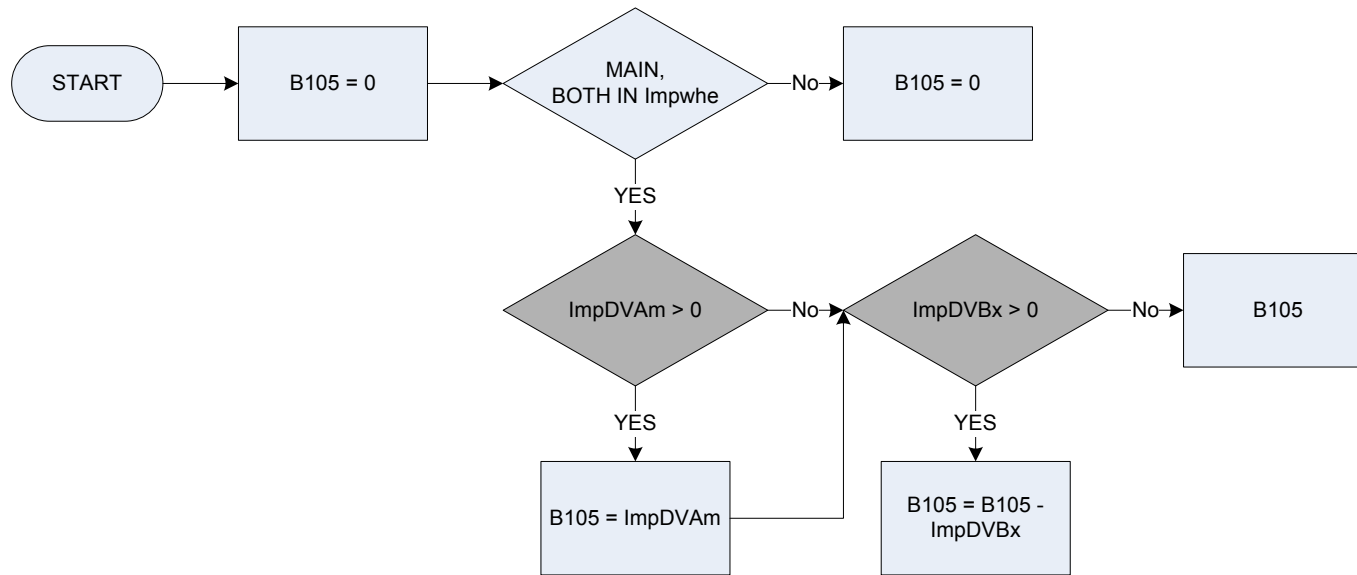
ChmDVAm

Derived from ChmAmt to give a weekly amount – (*ChmAmt – Central Heating: In the last 12 months, how much in total did the respondent pay, excluding any interest paid on loans?*)

ChmDVBx

Derived from ChmBAmt to give a weekly amount – (*ChmBAmt – Central Heating: How much was/will be reclaimed?*)

B105 – House extensions etc – main dwelling



KEY

ImpDVAm
ImpDVBx
Impwhe

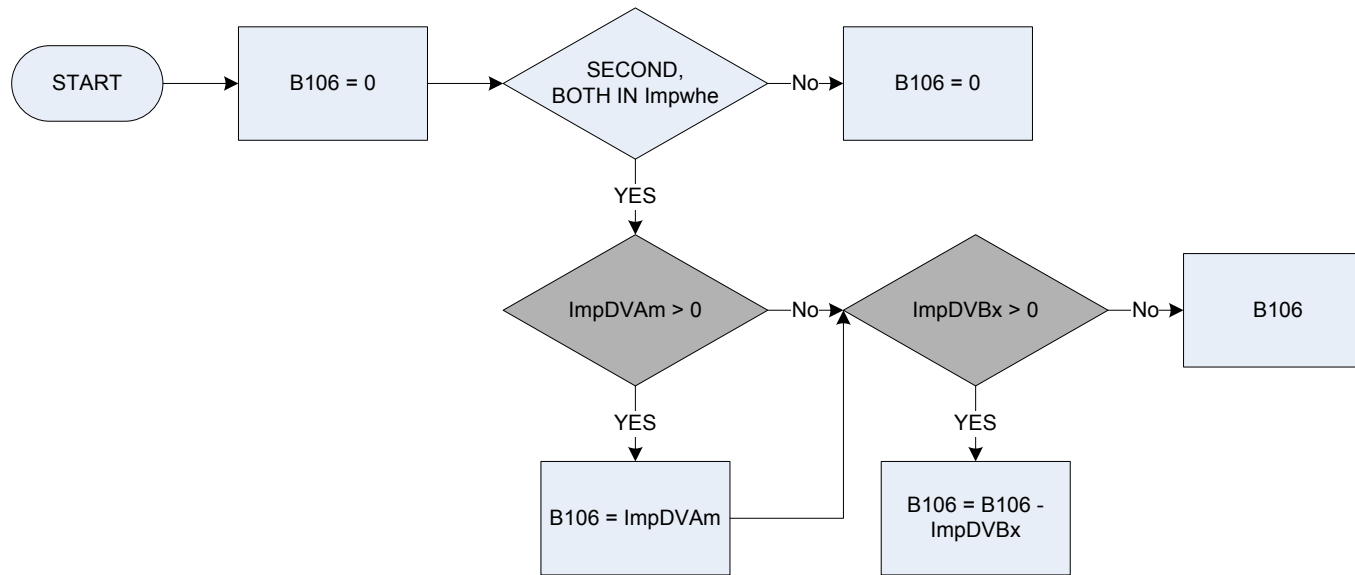
Derived from ImpPAmt to give a weekly amount – (*ImpPAmt – Home Improvements: In the last 12 months, how much in total did the respondent pay, excluding any interest paid on loans?*)

Derived from ImpPBAmt to give a weekly amount – (*ImpPBAmt – Home Improvements: How much was/will be reclaimed?*)

Was this work carried out at respondent's:

Main *main dwelling*
Second *second dwelling*
both *both?*

B106 – House extensions etc – second dwelling



KEY

ImpDVAm
ImpDVBx
Impwhe

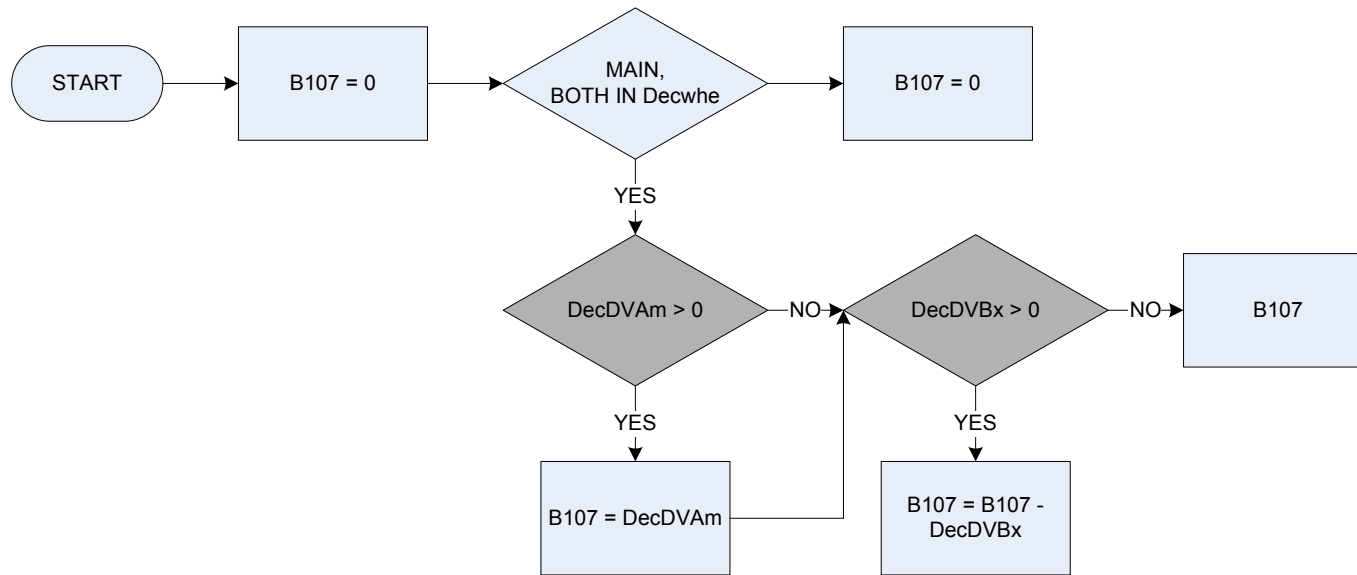
Derived from ImpPAmt to give a weekly amount – (*ImpPAmt – Home Improvements: In the last 12 months, how much in total did the respondent pay, excluding any interest paid on loans?*)

Derived from ImpPBAmt to give a weekly amount – (*ImpPBAmt – Home Improvements: How much was/will be reclaimed?*)

Was this work carried out at respondent's:

Main *main dwelling*
Second *second dwelling*
both *or both?*

B107 – House maintenance etc – main dwelling



KEY

DecDVAM
DecDVBx
Decwhe

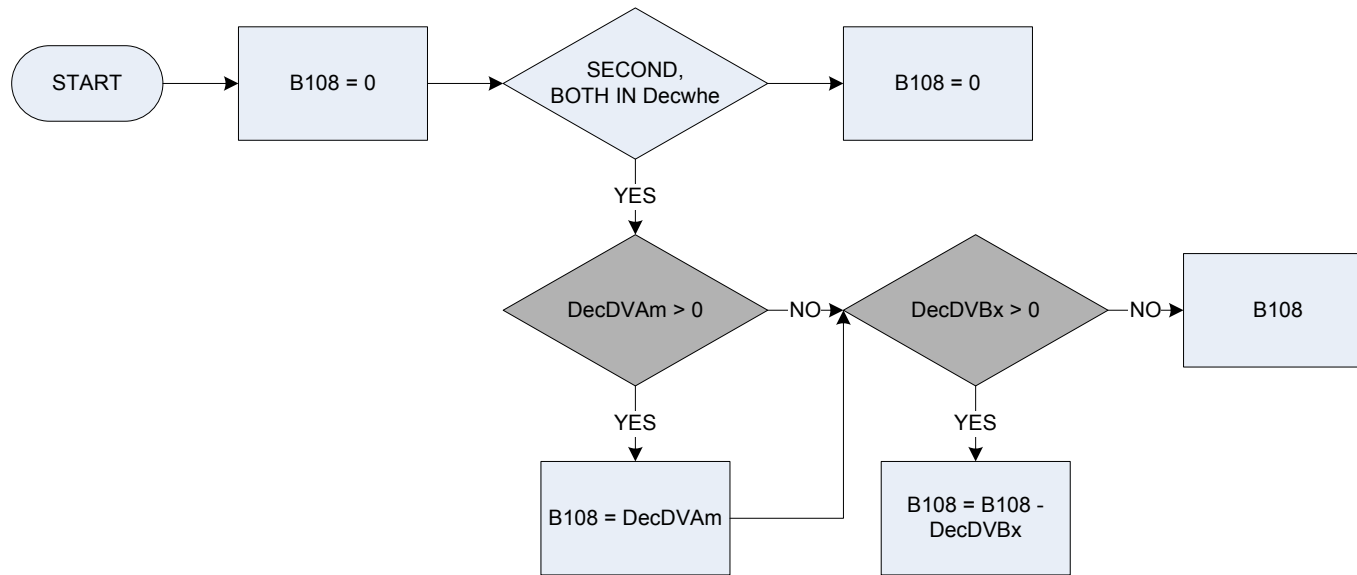
Derived from DecAmt to give a weekly amount – (*DecAmt – Home Improvements: In the last 12 months, how much in total did the respondent pay, excluding any interest paid on loans?*)

Derived from DecBAmt to give a weekly amount – (*DecBAmt – Home Improvements :How much was/will be reclaimed?*)

Was this work carried out at respondent's:

Main *main dwelling*
Second *second dwelling*
both *or both?*

B108 – House maintenance etc – second dwelling



KEY

DecDVAM
DecDVBx
Decwhe

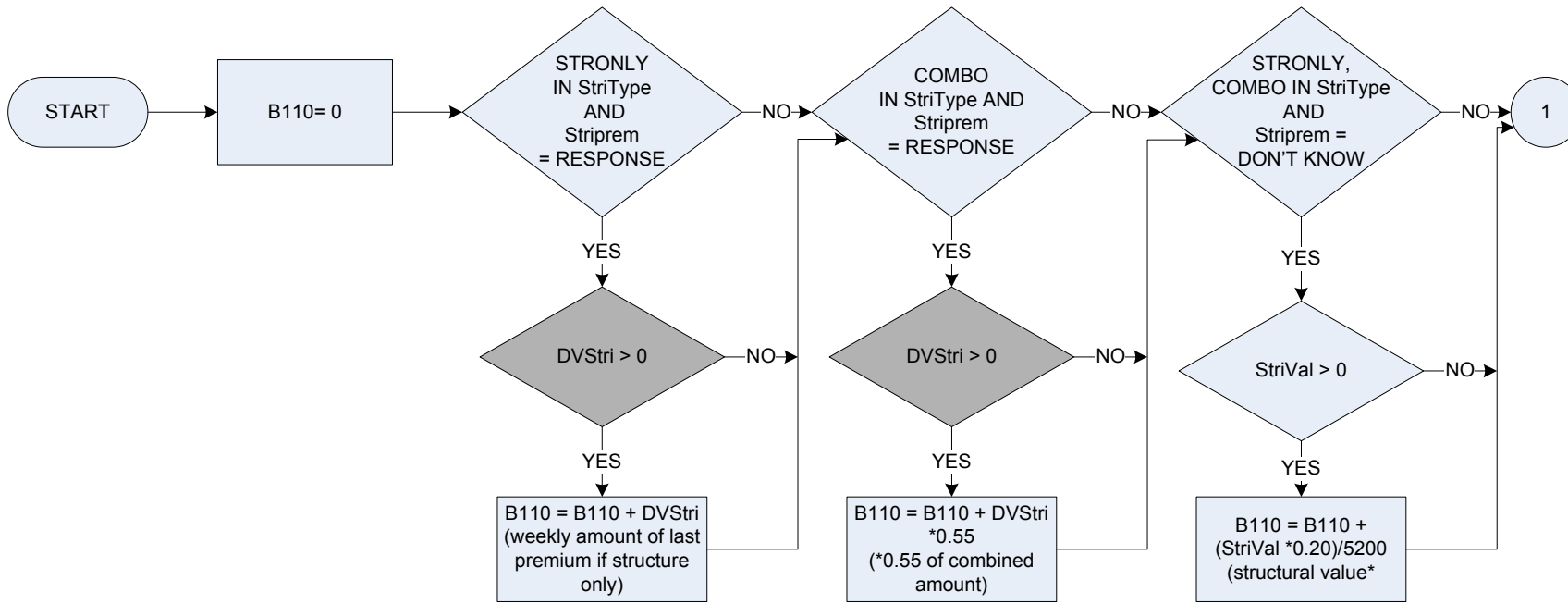
Derived from DecAmt to give a weekly amount – (*DecDVAM – Home Improvements: In the last 12 months, how much in total did the respondent pay, excluding any interest paid on loans?*)

Derived from DecAmt to give a weekly amount – (*DecBAMt – Home Improvements: How much was/will be reclaimed?*)

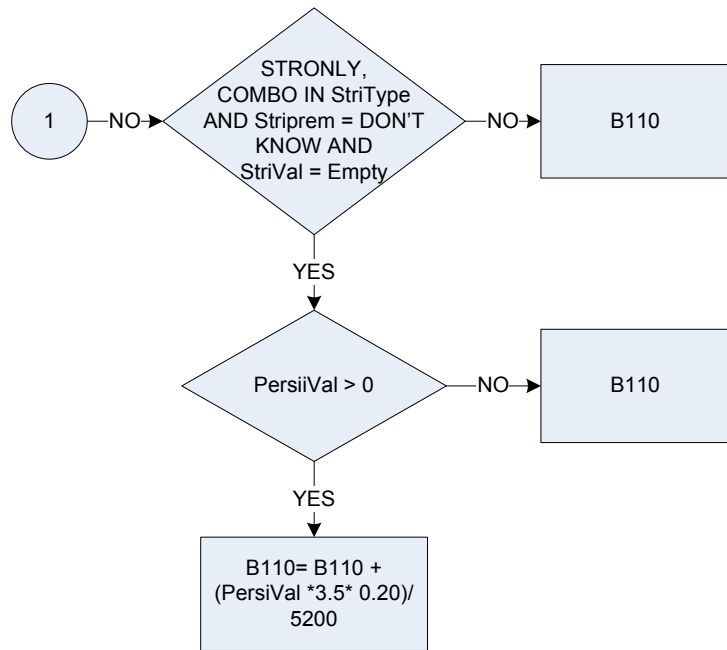
Was this work carried out at respondent's:

Main *main dwelling*
Second *second dwelling*
both *or both?*

B110 – Structural Insurance - last payment



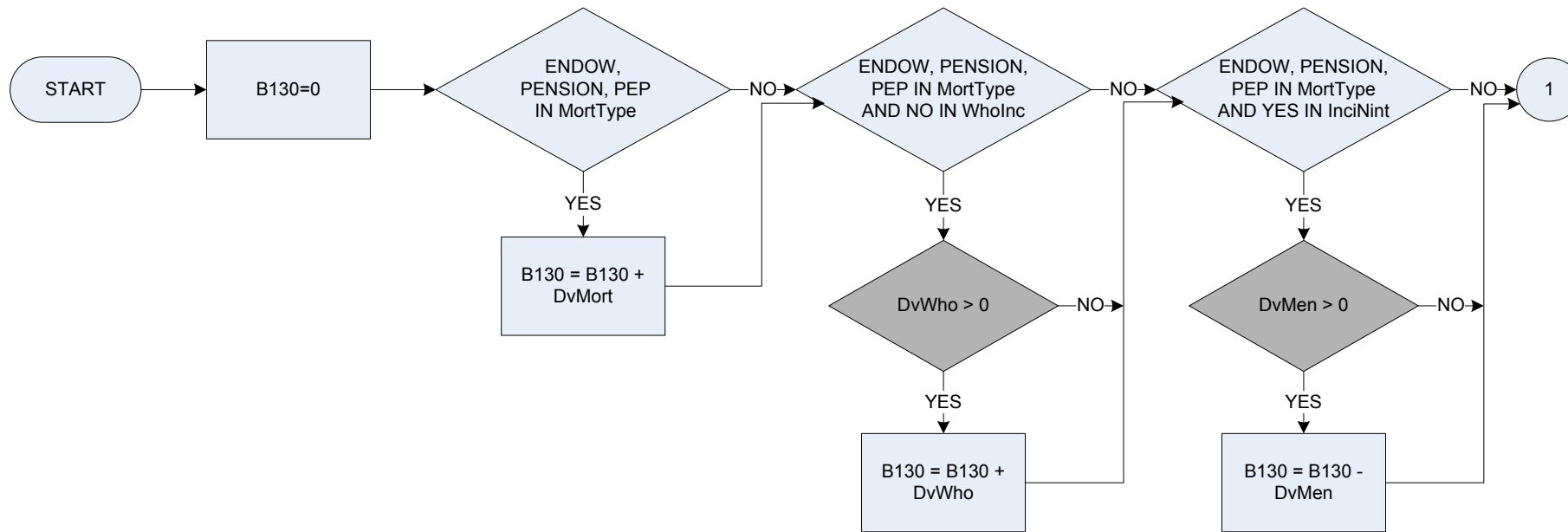
B110 – Structural Insurance - last payment



KEY

DVStri	Derived from StriPrem to give a weekly amount – (<i>StriPrem</i> – Structural Insurance: How much was the last premium?)
Persival	What is the insured value of the furniture and contents and/or personal possessions?
Striprem	How much was the last premium?
StriType	Are the payments for: StrOnly structure only Combo structure combined with furniture and contents and/or personal possessions PerOnly or furniture and contents and/or personal possessions?
StriVal	What is the insured value of the structure?

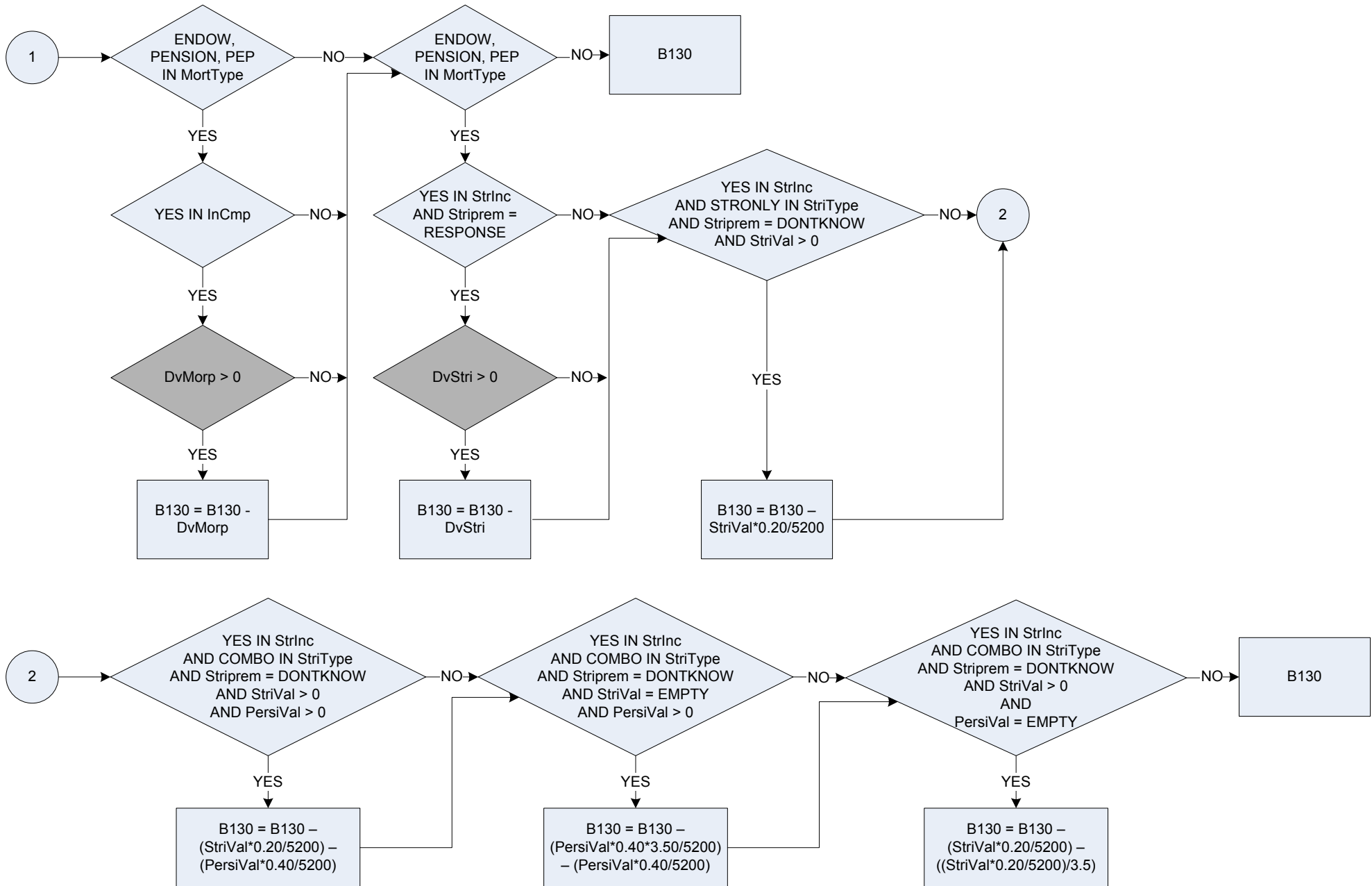
B130 – Mortgage interest only – last payment



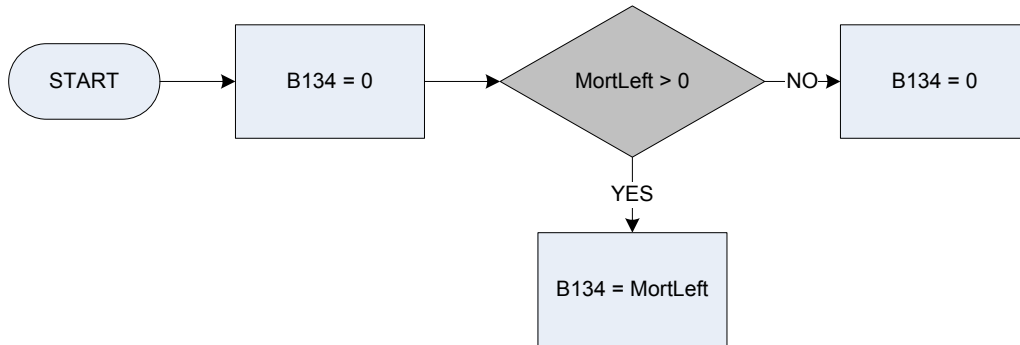
KEY

DvMen	Derived from Menpolam to give a weekly amount – (<i>Menpolam – Mortgage: How much was the respondent's last payment on the endowment policy/pension plan/PEP/ISA/unit trust?</i>)
DvMorp	Derived from MortProt to give a weekly amount – (<i>MortProt – Mortgage: (Apart from any endowment policies they have mentioned). Does the respondent have a mortgage protection policy to repay this mortgage in the event of sickness/accident, redundancy or death?</i>)
DvMort	Derived from MortPay to give a weekly amount – (<i>MortPay – Mortgage: How much was the respondent's last payment on this mortgage or loan?</i>)
DvStri	Derived from StriPrem to give a weekly amount – (<i>StriPrem – Structural Insurance: How much was the last premium?</i>)
DvWho	Derived from WhoAmt to give a weekly amount – (<i>WhoAmt – Mortgage: How much did the respondent pay last time?</i>)
InCmp	Mortgage: Is this payment included in the amount the respondent mentioned earlier?
InciNint	Mortgage: Is this payment included in the amount the respondent mentioned earlier?
MortType	What type of mortgage is this? Endow an endowment mortgage where your mortgage payments cover interest only Repay a repayment mortgage where your mortgage payments cover interest and part of the original loan Pension a pension mortgage where your mortgage payments cover interest only PEP a PEP, ISA or Unit Trust mortgage COMBO BOTH an endowment (or pension) mortgage AND a repayment mortgage
Persival	What is the insured value of the furniture and contents and/or personal possessions?
StrInc	Was this insurance premium included in the respondent's last mortgage payment?
Striprem	How much was the last premium?
StriType	Are the payments for: StrOnly structure only Combo structure combined with furniture and contents and/or personal possessions PerOnly furniture and contents and/or personal possessions
Strival	What is the insured value of the structure?
WhoInc	Was this amount included in the mortgage repayment the respondent mentioned earlier?

B130 – Mortgage interest only – last payment



B134 – Mortgage amount outstanding

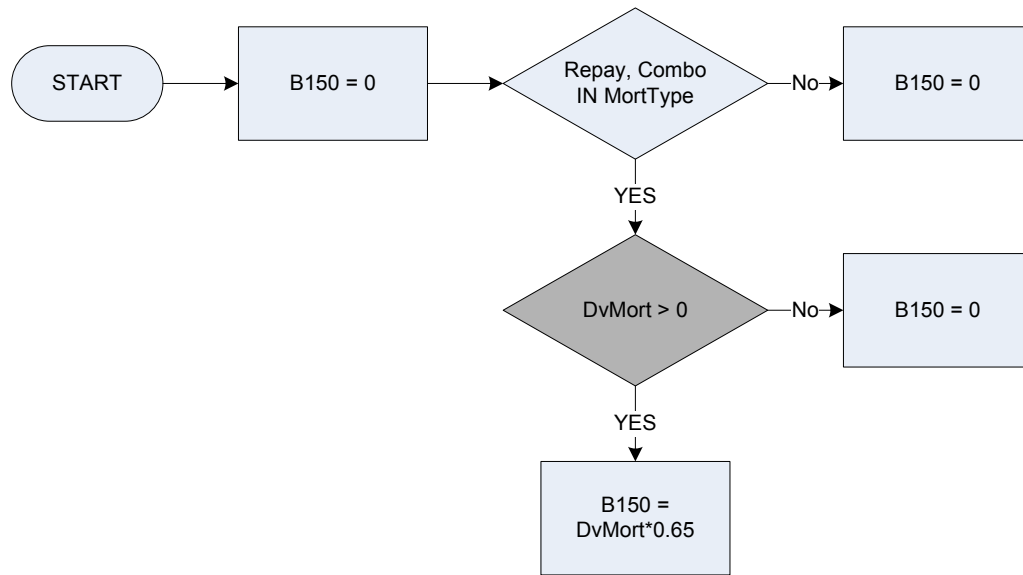


KEY

MortLeft

How much is left to pay on the respondent's current mortgage?

B150 – Mortgage interest/principal – interest paid



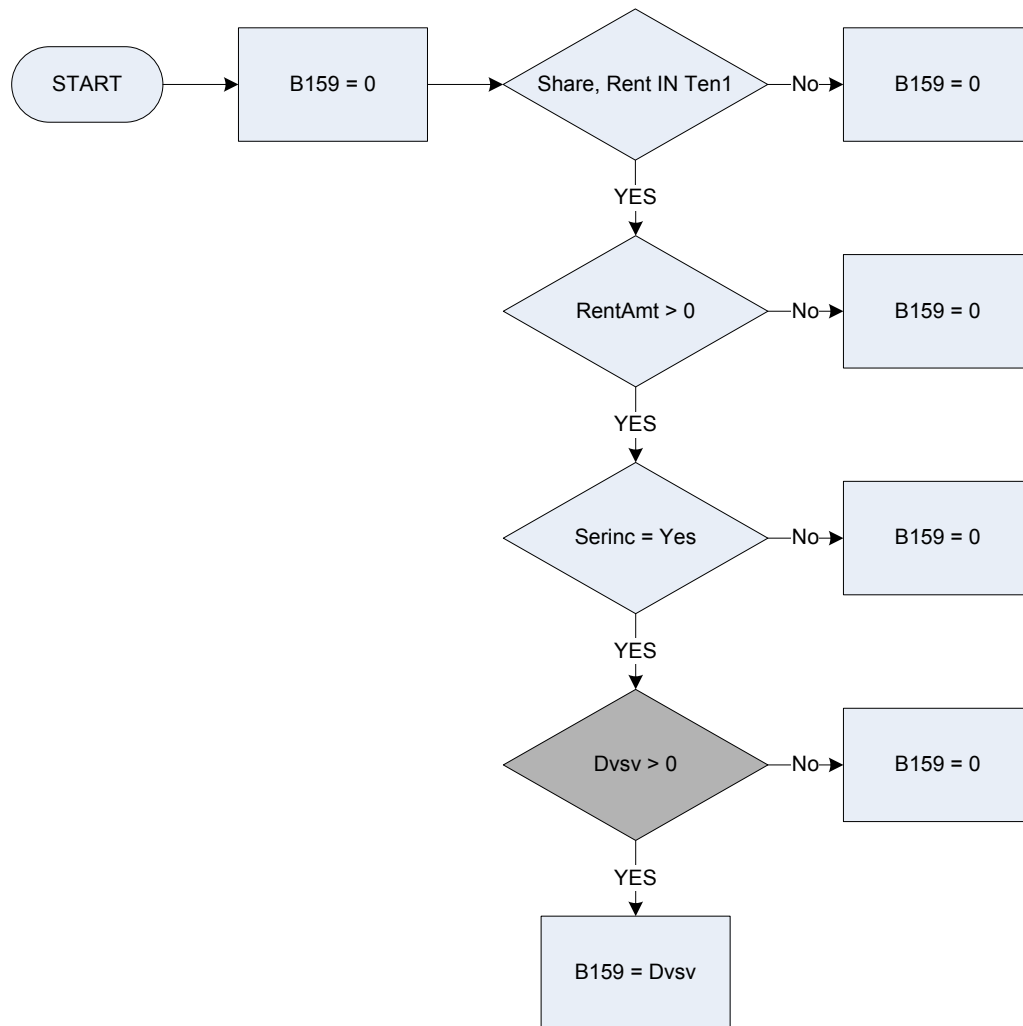
KEY

DvMort MortType

Derived from MortPay to give a weekly amount – (*MortPay – Mortgage: How much was the respondent's last payment on this mortgage or loan?*)
What type of mortgage is this?

- Endow** *an endowment mortgage where your mortgage payments cover interest only?*
- Repay** *or a repayment mortgage where your mortgage payments cover interest and part of the original loan?*
- Pension** *or a pension mortgage where your mortgage payments cover interest only?*
- PEP** *or a PEP, ISA or Unit Trust mortgage?*
- COMBO** *or BOTH an endowment (or pension) mortgage AND a repayment mortgage?*

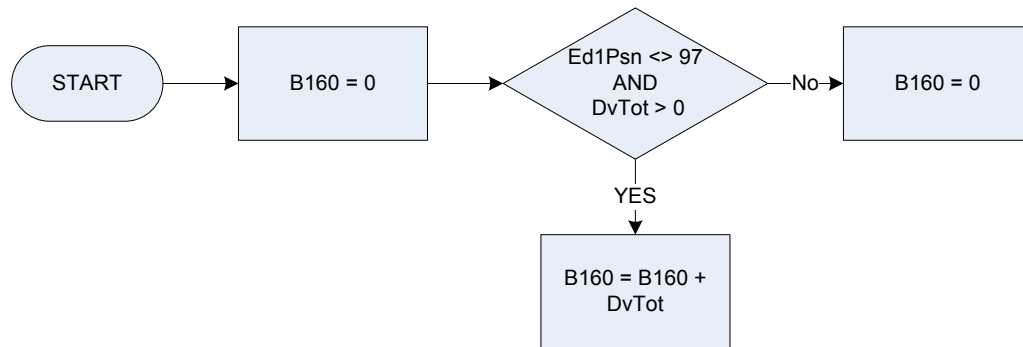
B159 – Service charge included in rent - amount



KEY

- Dvsv** Derived from ServAmt to give a weekly amount – (*ServAmt – Rent: How much, in total, was included for the services in the rent which the respondent mentioned?*)
- RentAmt** How much rent did the respondent's household actually pay last time it was due, after deducting any Housing Benefit (rent rebate)? To the nearest £1 (after housing benefit including council tax, council water charge, water rates if paid as part of rent)
- Serinc** Does the rent which the respondent mentioned include any services such as the ones shown on card C1?
1 Yes
2 No
- Ten1** In which of these ways does the respondent occupy this property
Own Own it outright
Morg Buying it with the help of a mortgage or loan
Share Pay part rent and part mortgage (shared ownership)
Rent Rent it
RentF Live here rent-free (including rent-free in relative's/ friend's property; excluding squatting)
Squat Squatting

B160 – Education – total amount paid last quarter

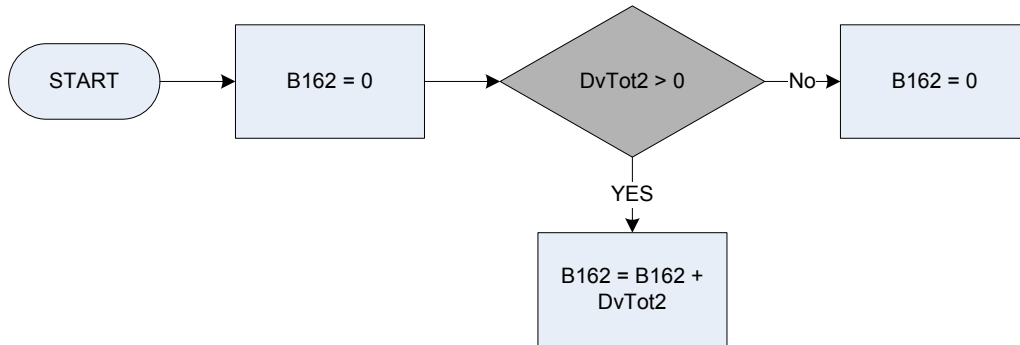


KEY

DvTot
Ed1Psn

Derived from Ed1Amt to give a weekly amount – (*Ed1Amt – Education: What is the total amount paid in the last 3 months?*)
Education: Who is/was attending the course? (Code 97 for someone outside of the household attending the course)

B162 – Leisure class fees paid - amount

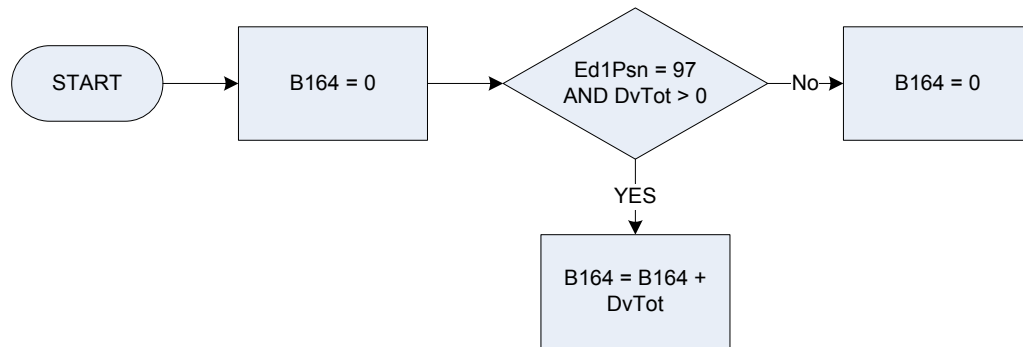


KEY

DvTot2

Derived from TotPaid to give a weekly amount – (*TotPaid – Leisure Classes: What is the total amount paid in the last 3 months?*)

B164 – Members outside household – total educ fees for last quarter

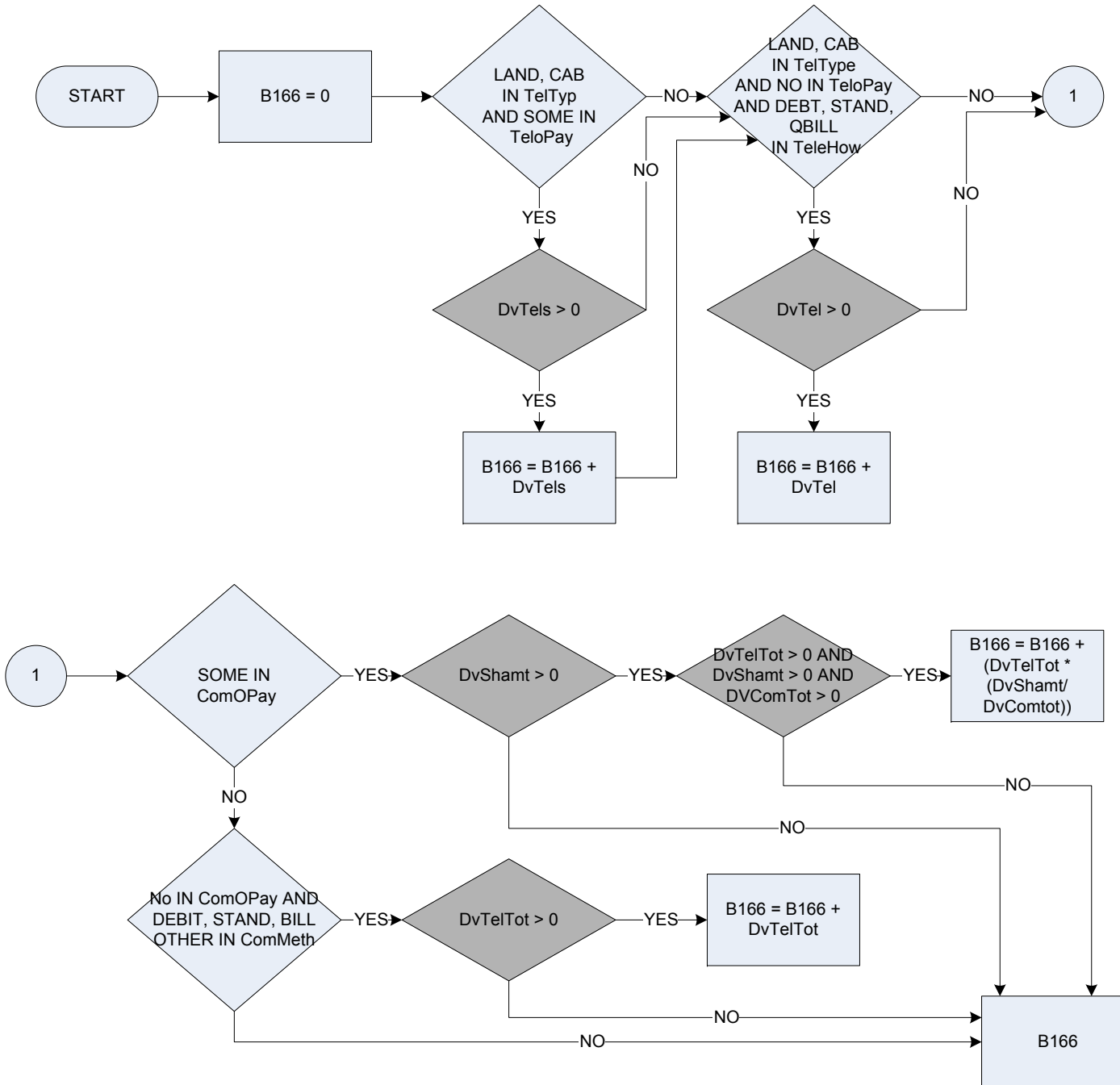


KEY

DvTot
Ed1Psn

Derived from Ed1Amt to give a weekly amount – (*Ed1Amt – Education: What is the total amount paid in the last 3 months?*)
Education: Who is/was attending the course? (Code 97 for someone outside of the household attending the course)

B166 – Telephone, household share of account (excl mobiles)



KEY

DvTel

Derived from TelAcAmt to give a weekly amount – (TelAcAmt – Telephone: How much did the respondent pay last time?)

DvTels

Derived from TelShAmt to give a weekly amount – (TelShamt – Telephone: How much was the respondents share?)

TeleHow

By which method does the respondent pay?

Acct account

Budget budgeting scheme

Other or by some other method?

TeloPay

Did anyone outside the household, other than the respondents employer, give money for?

All all

Some or some of the account?

No Spontaneous - No to both

TelType

What is the type of phone service?

Merc BT/Mercury landline

Mob Mobile phone

Cab Cable phone

ComoPay

Did anyone outside the household, other than employer, give you the money for?

All all

Some or some of the account?

No Spontaneous - No to both

ComMeth

Which of these methods does the respondent use to pay?

Debit Direct debit

Stand Standing order

Bill Monthly/Quarterly bill

Other Other (please specify)

DvShamt

Derived from ComShAmt to give a weekly amount – (ComShAmt – How much was the respondent's share?)

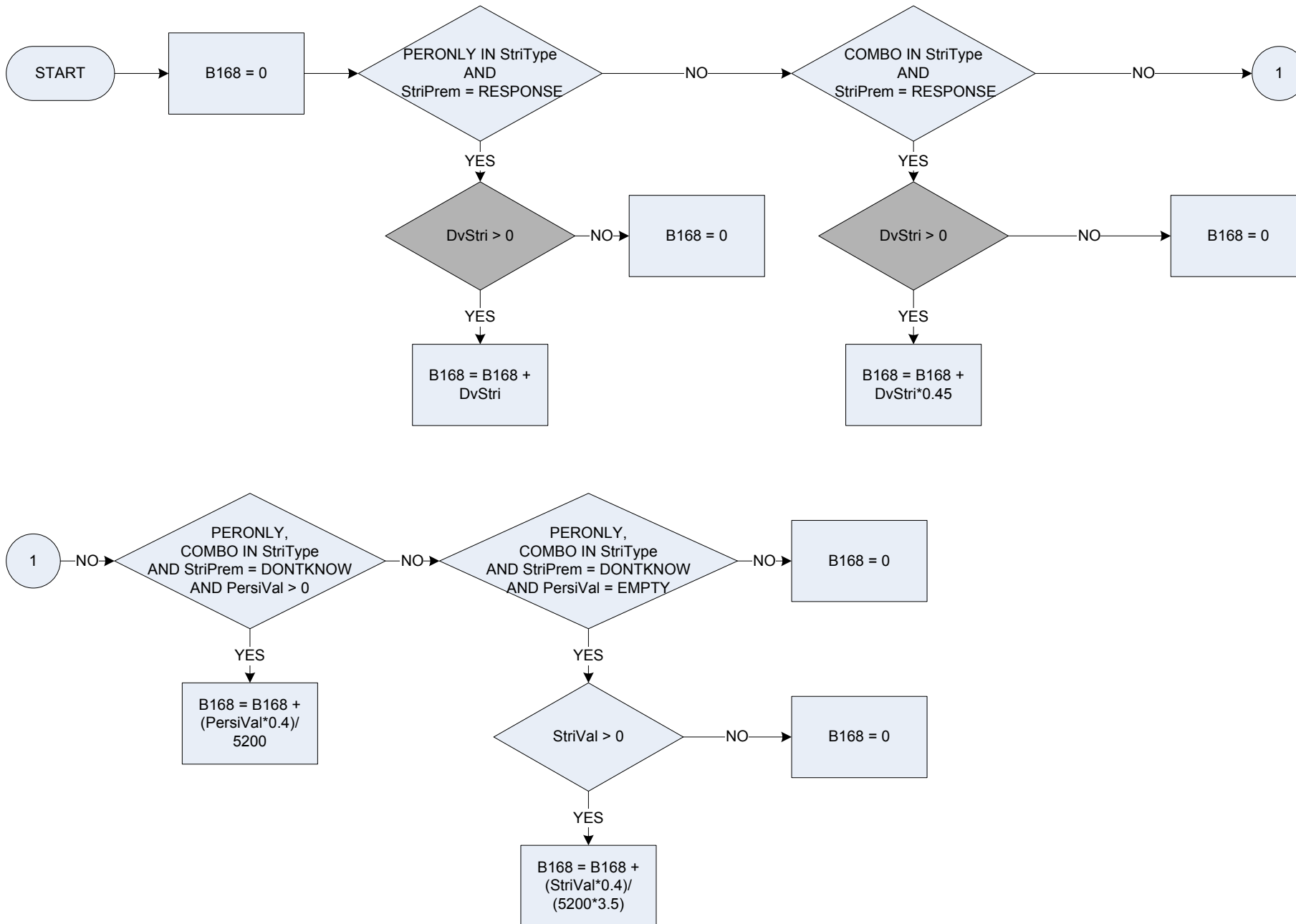
DvTelTot

Derived from TelTot to give a weekly amount – (TelTot – How much of the total was for telephone services?)

DvComTot

Derived from ComAcAmt to give a weekly amount – (ComAcAmt – How much was the respondent's share?)

B168 – Contents insurance – amount of last premium

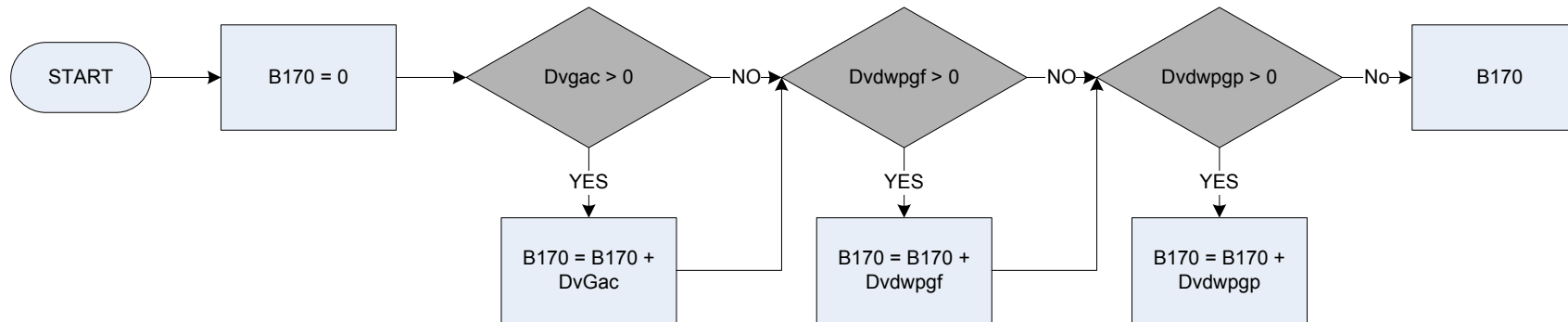


B168 – Contents insurance – amount of last premium

KEY

DvStri	Derived from StripRem – How much was the last premium? - to give a weekly amount
PersiVal	What is the insured value of the furniture and contents and/or personal possessions?
StriPrem	Structural Insurance: How much was the last premium?
StriType	Are the payments for: StrOnly <i>structure only</i> Combo <i>structure combined with furniture and contents and/or personal possessions</i> PerOnly <i>or furniture and contents and/or personal possessions?</i>
StriVal	What is the insured value of the structure?

B170 – Gas – amount paid in last account



KEY

Dvgac

Derived from GAcAmt to give a weekly amount – (GAcAmt – Gas: How much did the respondent pay last time, excluding rental of appliances, hire purchase, loans or regular maintenance charges?)

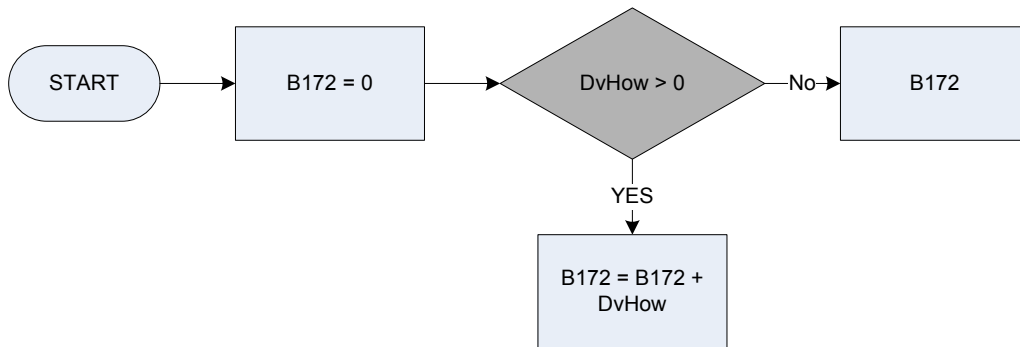
Dvdwpgf

Derived from DWPGasF to give a weekly amount – (DWPGasF – Gas: How much did DWP contribute to the last payment?)

Dvdwpgp

Derived from DWPGasP to give a weekly amount – (DWPGasP – Gas: How much did the respondent contribute towards the last payment?)

B172 – Vehicle sold – net amount received

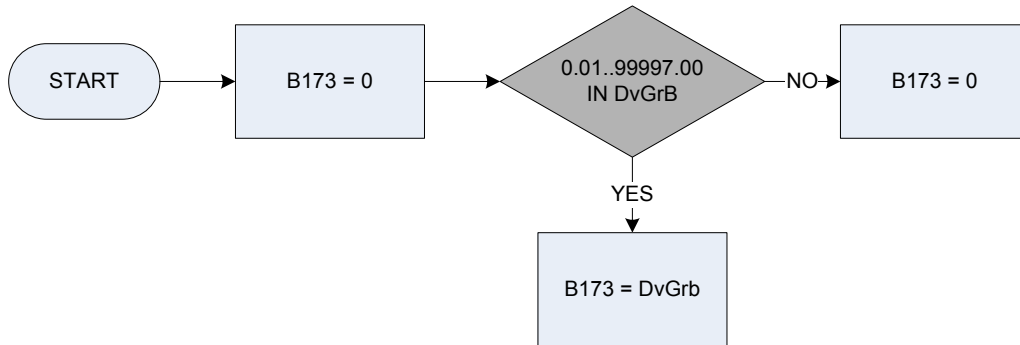


KEY

DvHow

Derived from VhSAmt to give a weekly amount – (*VhSAmt – Vehicles: How much did the respondent receive for the sold vehicle?*)

B173 – Gas (separate) amount of rebate

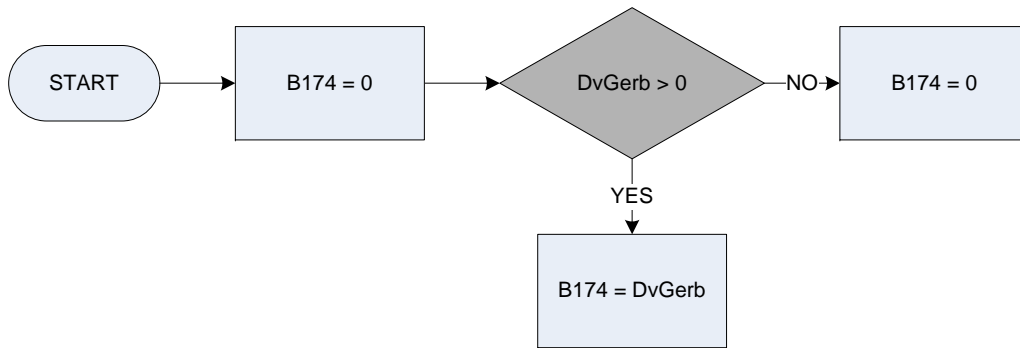


KEY

DvGrB

Derived from GRbtAmt to give a weekly amount – (*GRbtAmt – Gas: How much was the last rebate before any deductions for hire purchase or credit sale?*)

B174 – Rebate for combined gas and electricity

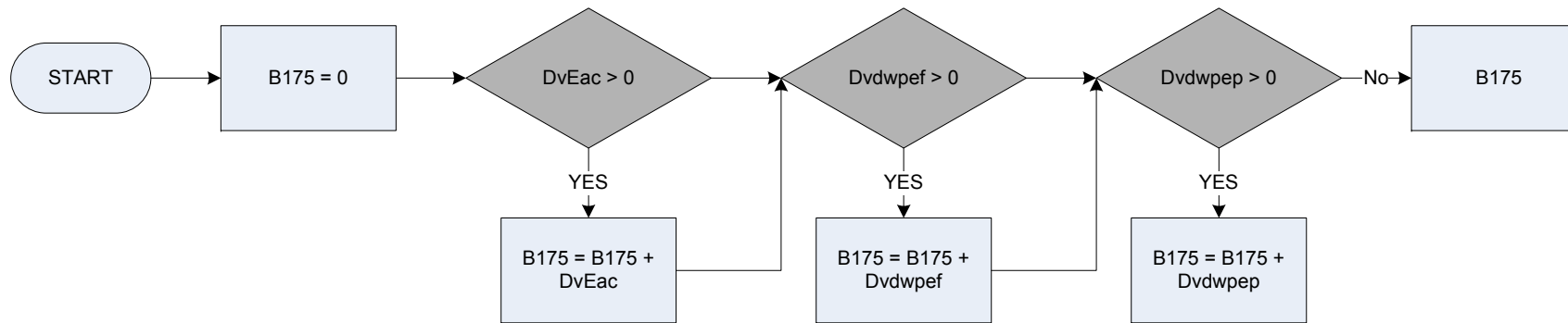


KEY

DvGerb

Derived from GerbtAmt to give a weekly amount – (*GerbtAmt – Gas/electricity: How much was the last rebate?*)

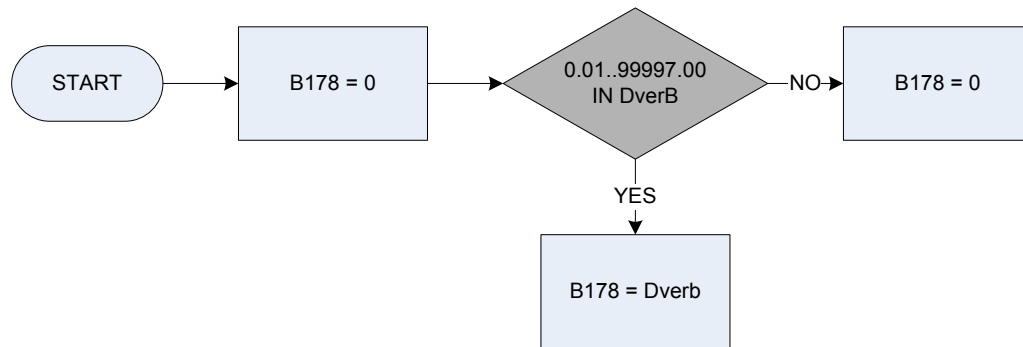
B175 – Electricity – amount paid in last account



KEY

- DvEac** Derived from EAcAmt to give a weekly amount (*EAcAmt - Electricity: How much did the respondent pay last time, excluding rental of appliances, hire purchase, loans or regular maintenance charges?*)
- Dvdwpef** Derived from DWPElecF to give a weekly amount (*DWPElecF - How much did the respondent contribute to the last payment?*)
- Dvdwpep** Derived from DWPElecP to give a weekly amount (*DWPElecP - How much did you contribute towards your last payment?*)

B178 – Electricity (separate) amount of rebate

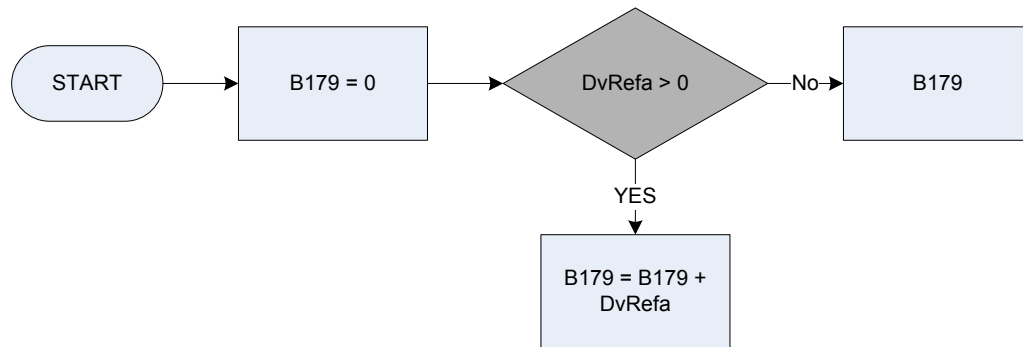


KEY

Dverb

Derived from ERbtAmt to give a weekly amount – (ERbtAmt – Electricity: How much was the last rebate before any deductions for hire purchase or credit sale?)

B179 – Vehicle road tax – amount refunded last year

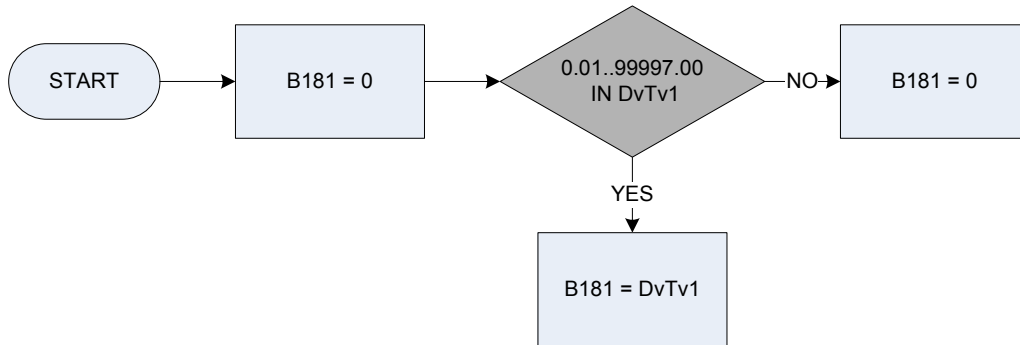


KEY

DvRefa

Derived from Refam to give a weekly amount – (*Refam - Road tax: What was the amount refunded last year?*)

B181 – TV licence – amount paid last year

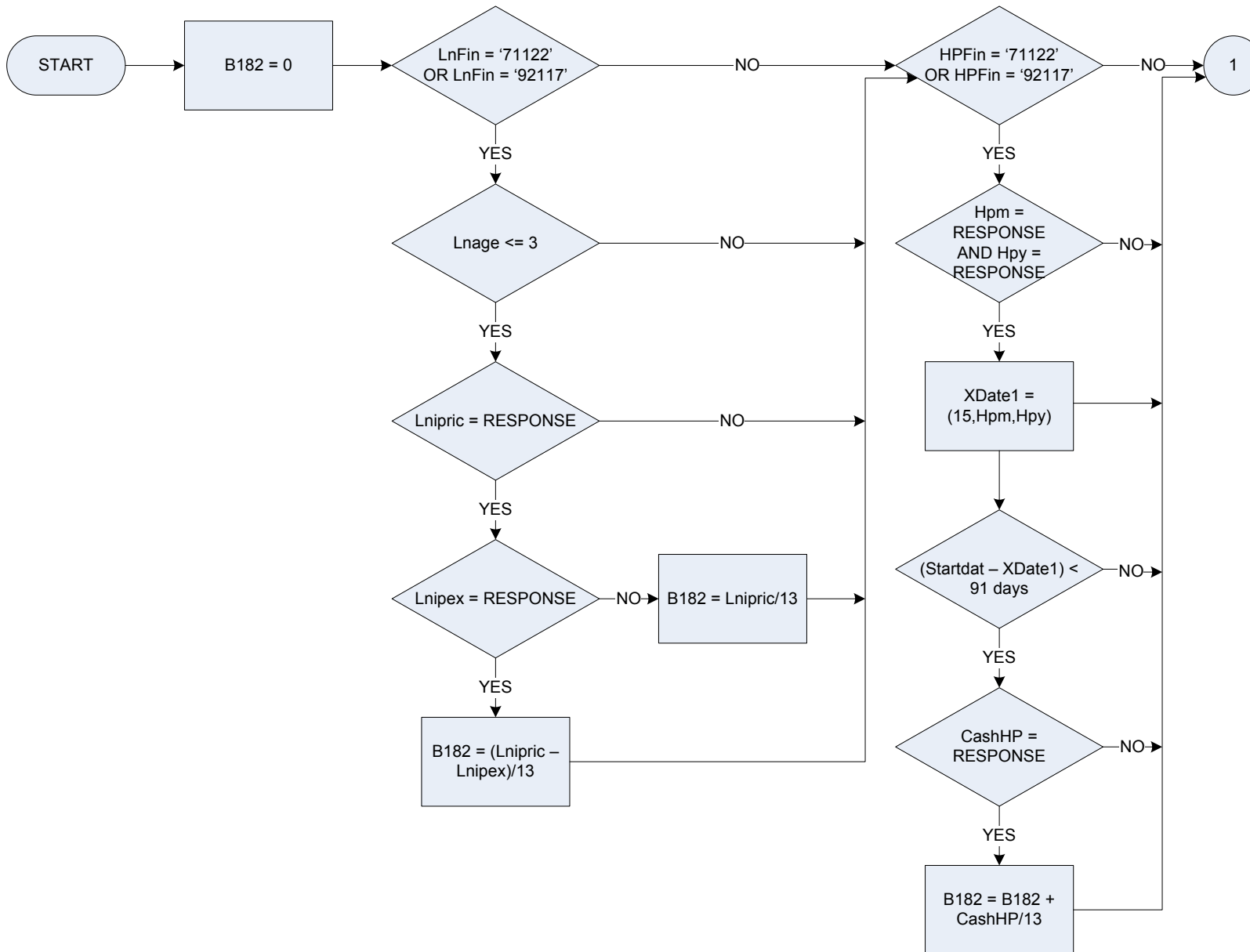


KEY

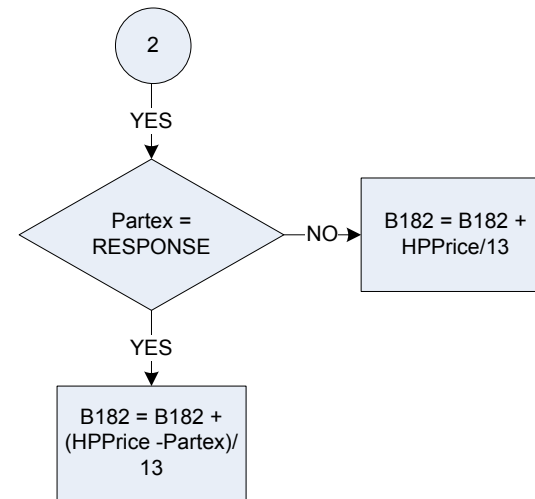
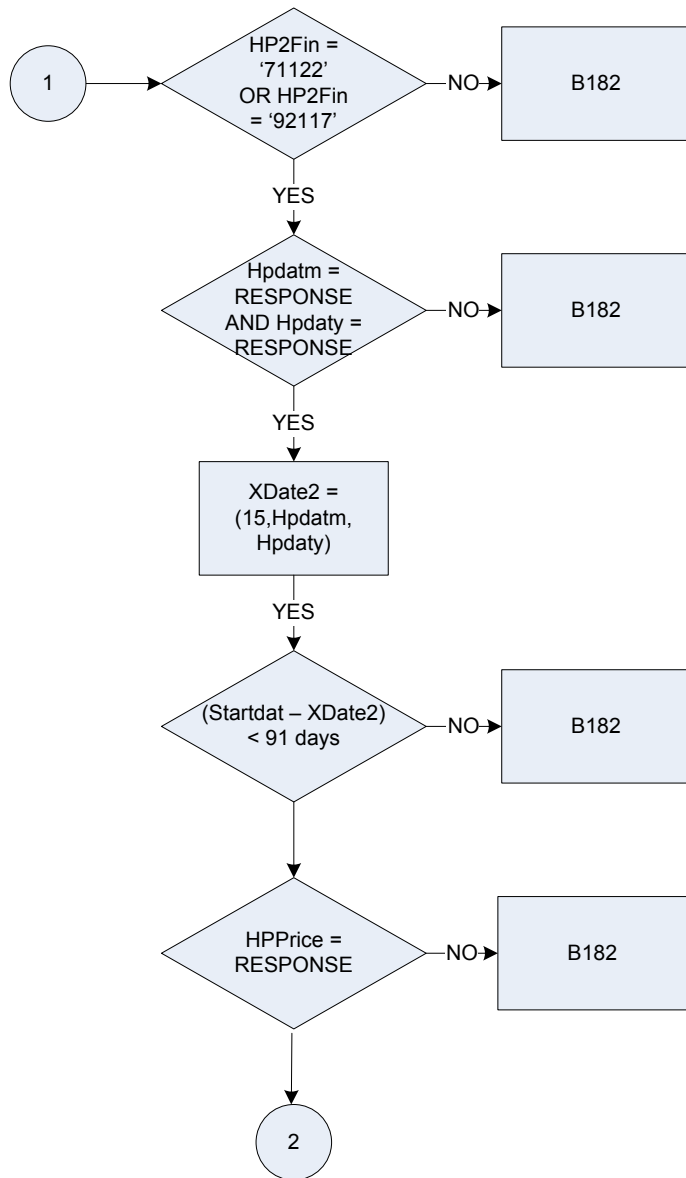
DvTv1

Derived from TVPayAmt to give a weekly amount – *(TVPayAmt – Rental/Subscription: How much did the respondent pay last time?)*

B182 – Credit purchase – net cost second hand vehicles



B182 – Credit purchase – net cost second hand vehicles



KEY

CashHP
HP2Fin

Weekly equivalent value of the cash price
71122 Second hand car/van: Loan or HP

Hpdatm
Hpdaty
HPFin

92115 Purchase of second hand motor caravan – outright
In which month did the respondent obtain the item or service?
In which year did the respondent obtain the item or service?

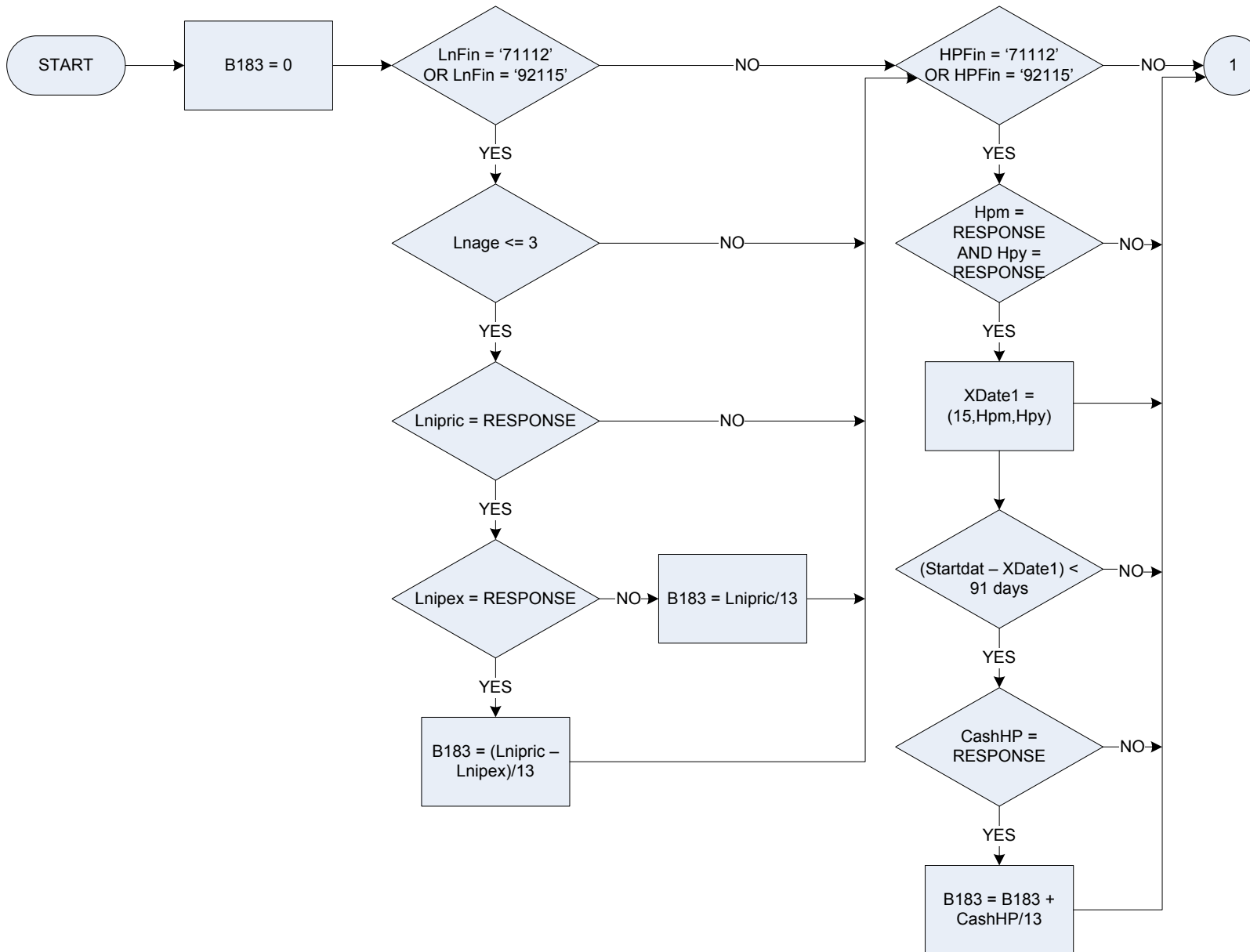
Hpm
HPPrice
Hpy
LnAge
LnFin

71122 Second hand car/van: loan or HP
92115 Purchase of second hand motor caravan – outright
In which month did the respondent obtain the item or service?

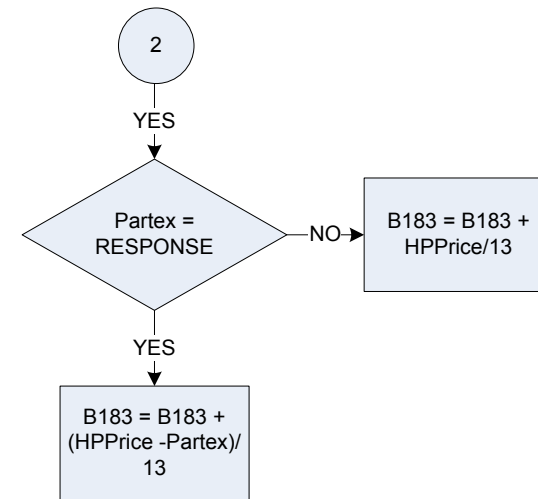
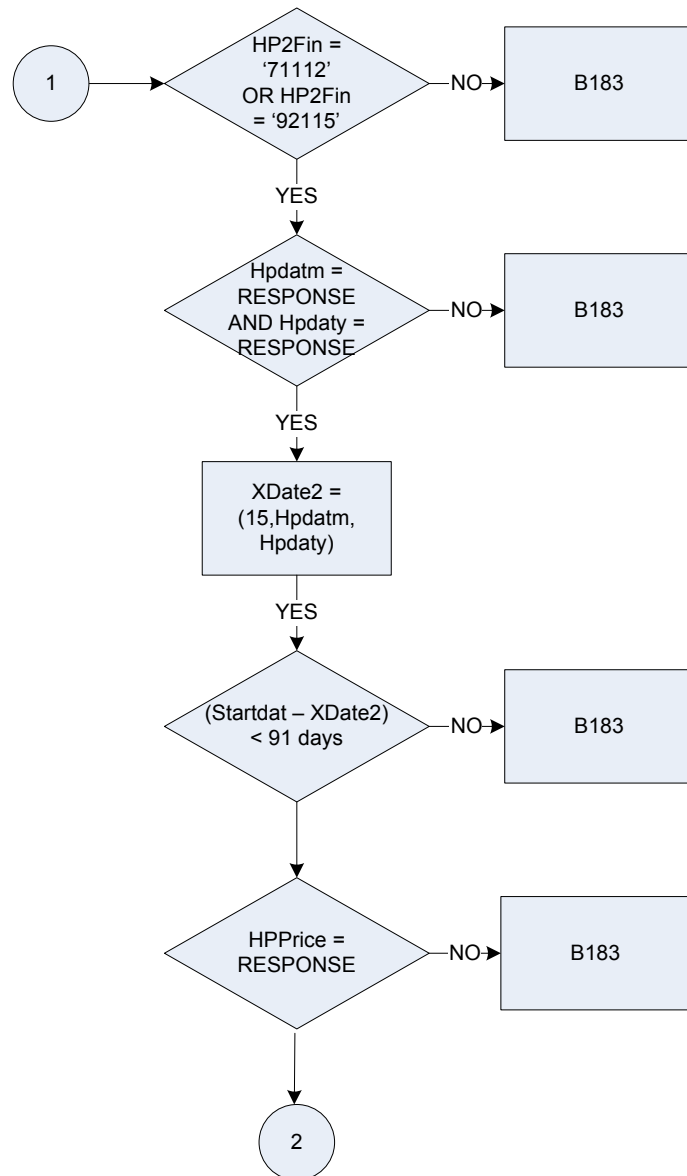
Lnipex
Lnipric
Partex
Startdat

What was the cash price?
In which year did the respondent obtain the item or service?
Age of loan in months
71112 Second hand car/van: Loan or HP
92117 Purchase of second hand motor caravan – outright
How much was allowed in part exchange?
Total cash price
How much was allowed in part exchange?
Date of interview

B183 – Credit purchase – net cost new vehicles



B183 – Credit purchase – net cost new vehicles



KEY

CashHP
HP2Fin

Weekly equivalent value of the cash price
71112 New car/van: Loan or HP

Hpdatm
Hpdaty
HPFin

92115 Purchase of new motor caravan – outright
In which month did the respondent obtain the item or service?
In which year did the respondent obtain the item or service?

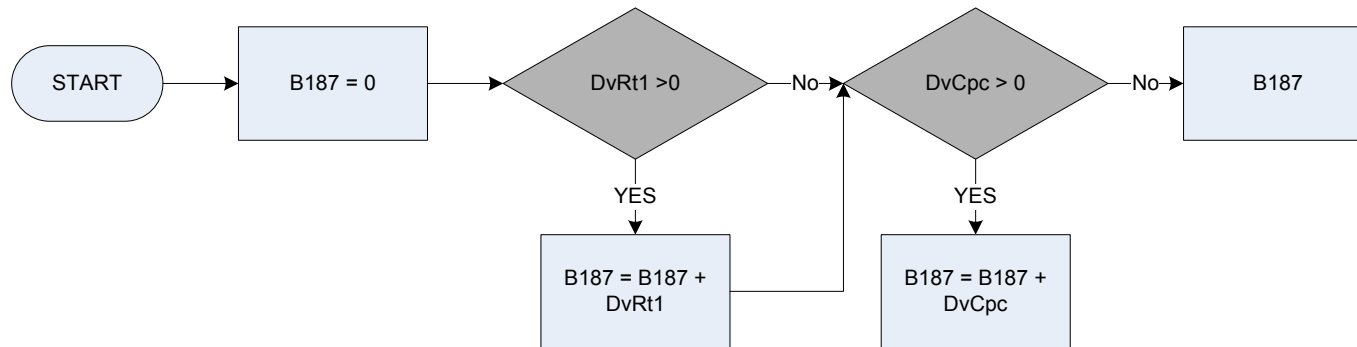
Hpm
HPPrice
Hpy
LnAge
LnFin

71112 New car/van: Loan or HP
92115 Purchase of new motor caravan – outright
In which month did the respondent obtain the item or service?
What was the cash price?
In which year did the respondent obtain the item or service?
Age of loan in months

Lnipex
Lnipric
Partex
Startdat

71117 Purchase of second hand motor caravan – outright
How much was allowed in part exchange?
Total cash price
How much was allowed in part exchange?
Date of interview

B187 – Vehicle road tax – amount paid last year



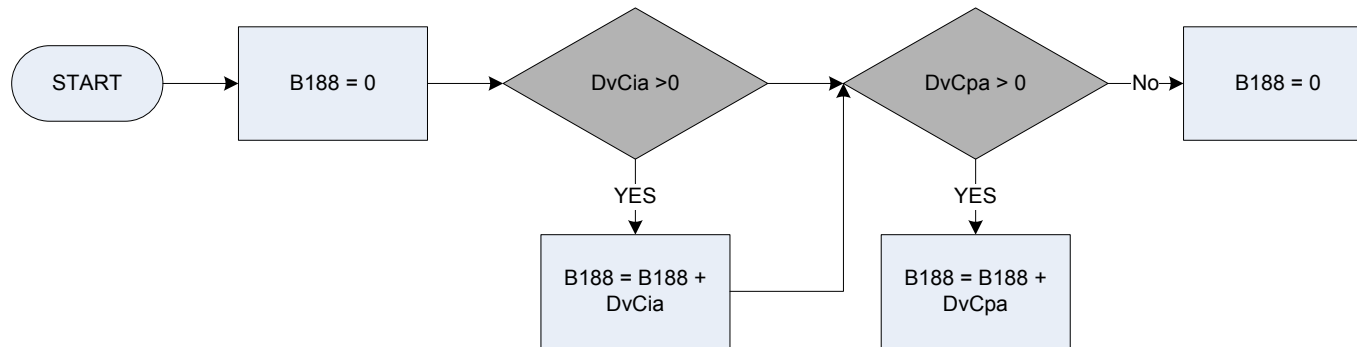
KEY

DvRt1
DvCpc

Derived from RtAmt to give a weekly amount – (*RtAmt – Vehicles: How much has the respondent paid for road tax?*)

Derived from CpcTaxAm to give a weekly amount – (*CpcTaxAm - Vehicles: How much was included for road tax in the cash price of the vehicle?*)

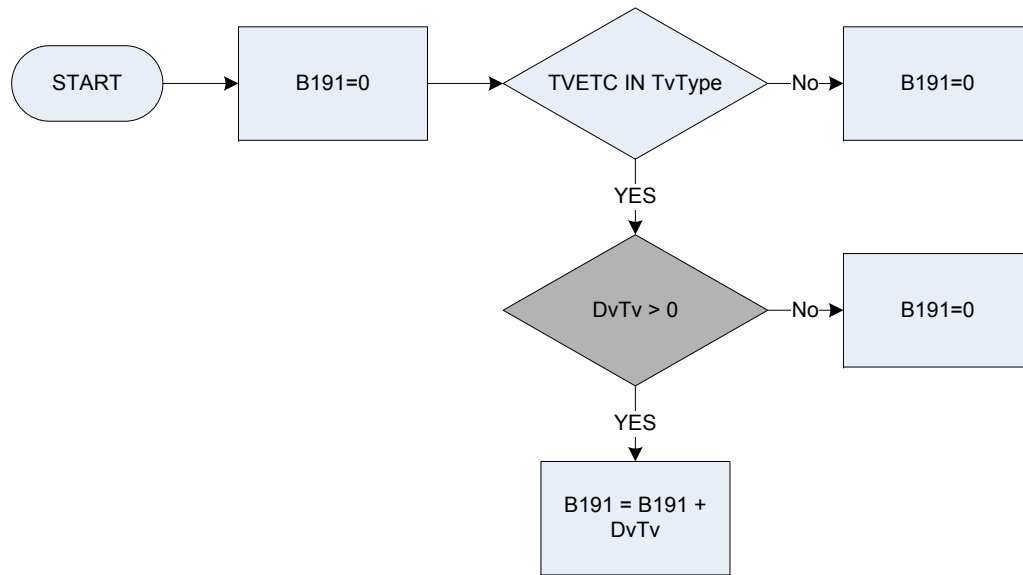
B188 – Vehicle insurance – amount paid last year



KEY

DvCia Derived from CIAmt to give a weekly amount – (CIAmt – Vehicles: How much was the respondent's last payment?)
Dvcpa Derived from CPInsAmt to give a weekly amount – (CPInsAmt – Vehicles: How much was included for vehicle insurance?)

B191 – Rent for TV | Satellite | VCR – weekly amount



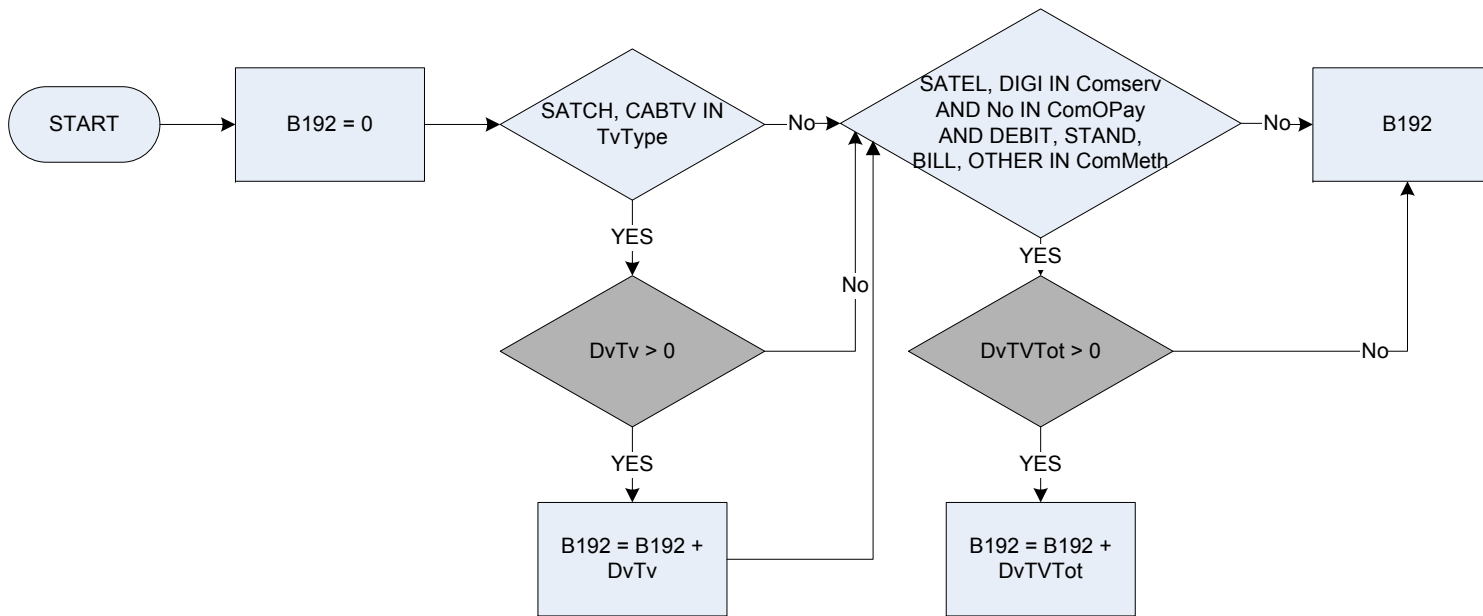
KEY

DvTv
TvType

Derived from TVPayAmt to give a weekly amount – (TVPayAmt – Rental/Subscription: How much did the respondent pay last time?)
What does your payment cover?

- TVETC** Hire or rental of a TV/DVD player/Blu Ray player/Digital recorder
- Satch** Satellite channels subscription
- Cable** Cable TV subscription
- CabTV** Digital TV Subscription (e.g. BT Vision)

B192 – Satellite subscription – weekly amount



KEY

ComMeth

Which of these methods does the respondent use to pay?

- Debit** Direct debit
- Stand** Standing order
- Bill** Monthly/Quarterly bill
- Other** Other (please specify)

ComoPay

Did anyone outside the household, other than employer, give you the money for?

- All** all
- Some** or some of the account?
- No** Spontaneous - No to both

Comserv

Which of the services on this card are included in the combined package?

- Land** Landline phone
- CableP** Cable phone
- Mobil** Mobile phone/mobile phone internet
- Satel** Subscription to satellite channels
- Cable** Subscription to cable TV channels
- Digi** Subscription to digital TV channels
- Dial** Dial-up internet through a landline cable phone line
- Broad** Broadband internet through a landline/cable phone line
- Wirel** Mobile internet (excluding internet used on a mobile phone)
- Other** Other (please specify)

DvTv

Derived from TvPayAmt to give a weekly amount – (TvPayAmt – Rental/Subscription: How much did the respondent pay last time?)

DvTVTot

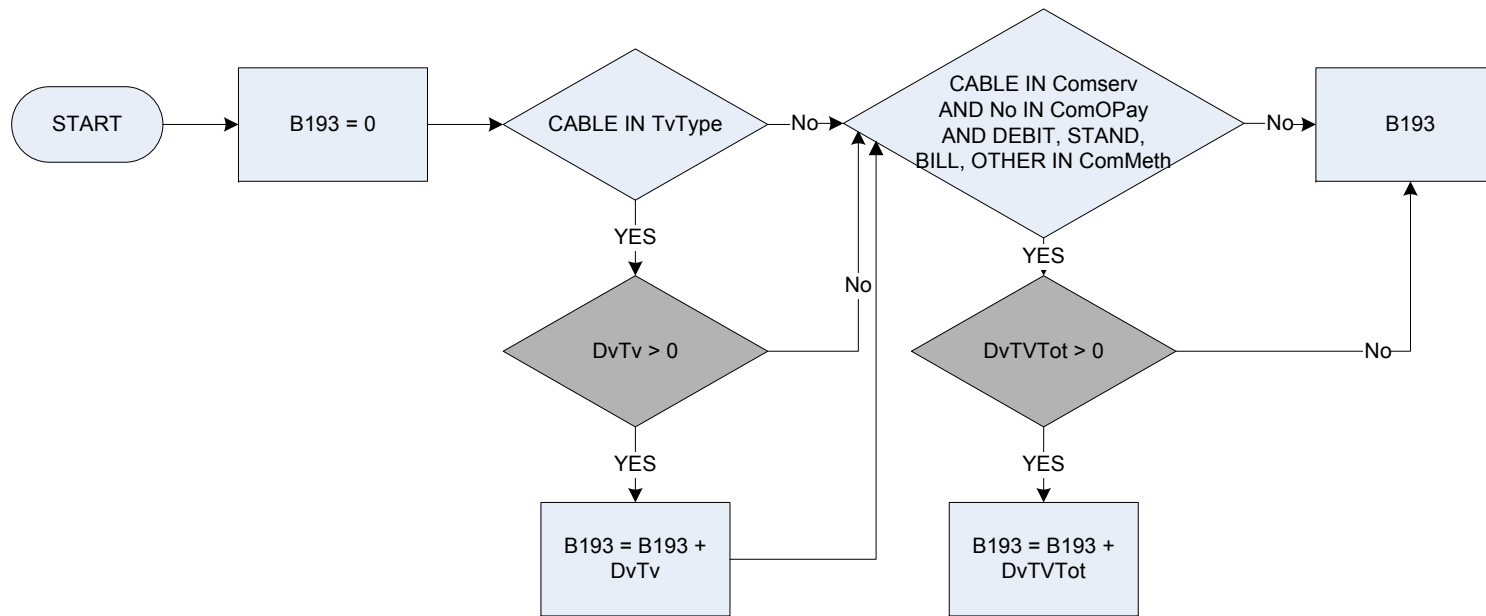
Derived from ComTVTot to give a weekly amount – (ComTvTot – Combined packages: How much of total was for television services?)

TvType

What does your payment cover?

- TVETC** Hire or rental of a TV/DVD player/Blu Ray player/Digital recorder
- Satch** Satellite channels subscription
- Cable** Cable TV subscription
- CabTV** Digital TV Subscription (e.g. BT Vision)

B193 – Cable subscription – weekly amount



KEY

ComMeth

Which of these methods does the respondent use to pay?

- Debit** Direct debit
- Stand** Standing order
- Bill** Monthly/Quarterly bill
- Other** Other (please specify)

ComoPay

Did anyone outside the household, other than employer, give you the money for?

- All** all
- Some** or some of the account?
- No** Spontaneous - No to both

Comserv

Which of the services on this card are included in the combined package?

- Land** Landline phone
- CableP** Cable phone
- Mobil** Mobile phone/mobile phone internet
- Satel** Subscription to satellite channels
- Cable** Subscription to cable TV channels
- Digi** Subscription to digital TV channels
- Dial** Dial-up internet through a landline cable phone line
- Broad** Broadband internet through a landline/cable phone line
- Wirel** Mobile internet (excluding internet used on a mobile phone)
- Other** Other (please specify)

DvTv

Derived from TvPayAmt to give a weekly amount – (TvPayAmt – Rental/Subscription: How much did the respondent pay last time?)

DvTVTot

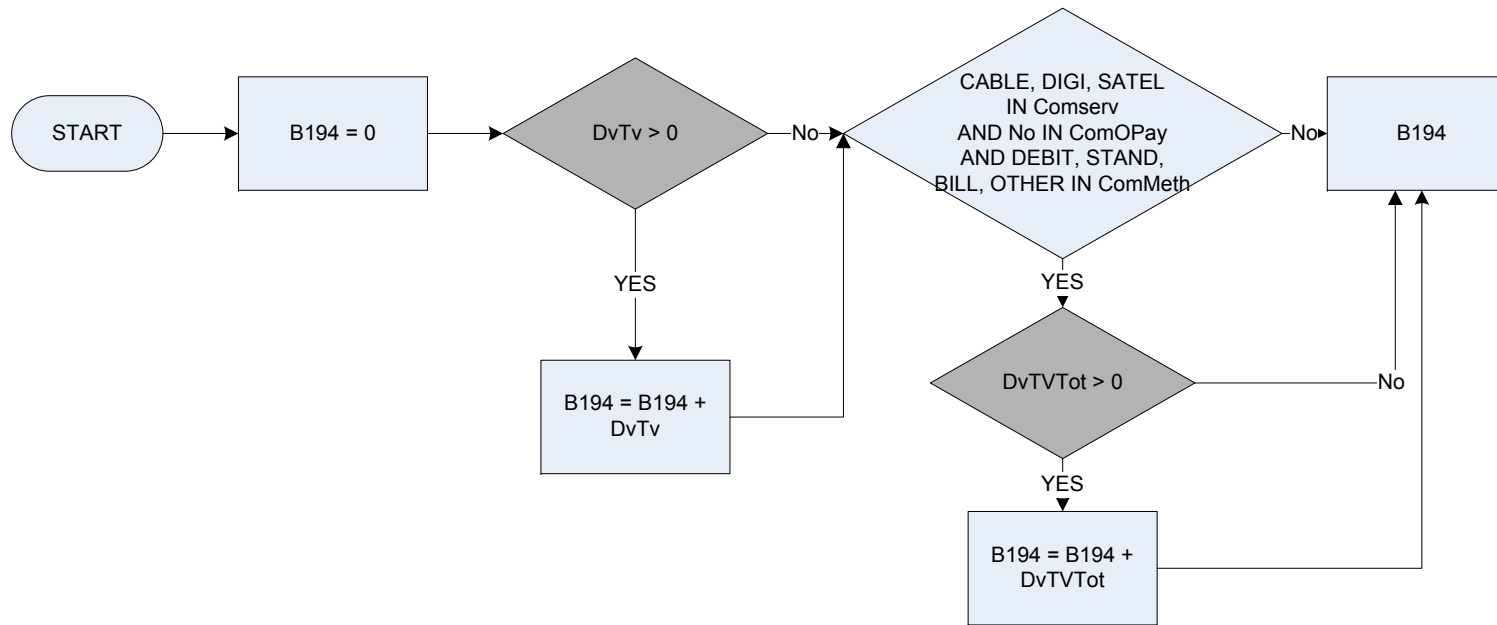
Derived from ComTVTot to give a weekly amount – (ComTvTot – Combined packages: How much of total was for television services?)

TvType

What does your payment cover?

- TVETC** Hire or rental of a TV/DVD player/Blu Ray player/Digital recorder
- Satch** Satellite channels subscription
- Cable** Cable TV subscription
- CabTV** Digital TV Subscription (e.g. BT Vision)

B194 – Rent/subscription for TV | cable | satellite | VCR – weekly amount



KEY

ComMeth

Which of these methods does the respondent use to pay?

Debit Direct debit

Stand Standing order

Bill Monthly/Quarterly bill

Other Other (please specify)

ComoPay

Did anyone outside the household, other than employer, give you the money for?

All all

Some or some of the account?

No Spontaneous - No to both

Comserv

Which of the services on this card are included in the combined package?

Land Landline phone

CableP Cable phone

Mobil Mobile phone/mobile phone internet

Satel Subscription to satellite channels

Cable Subscription to cable TV channels

Digi Subscription to digital TV channels

Dial Dial-up internet through a landline/cable phone line

Broad Broadband internet through a landline/cable phone line

Wirel Mobile internet (excluding internet used on a mobile phone)

Other Other (please specify)

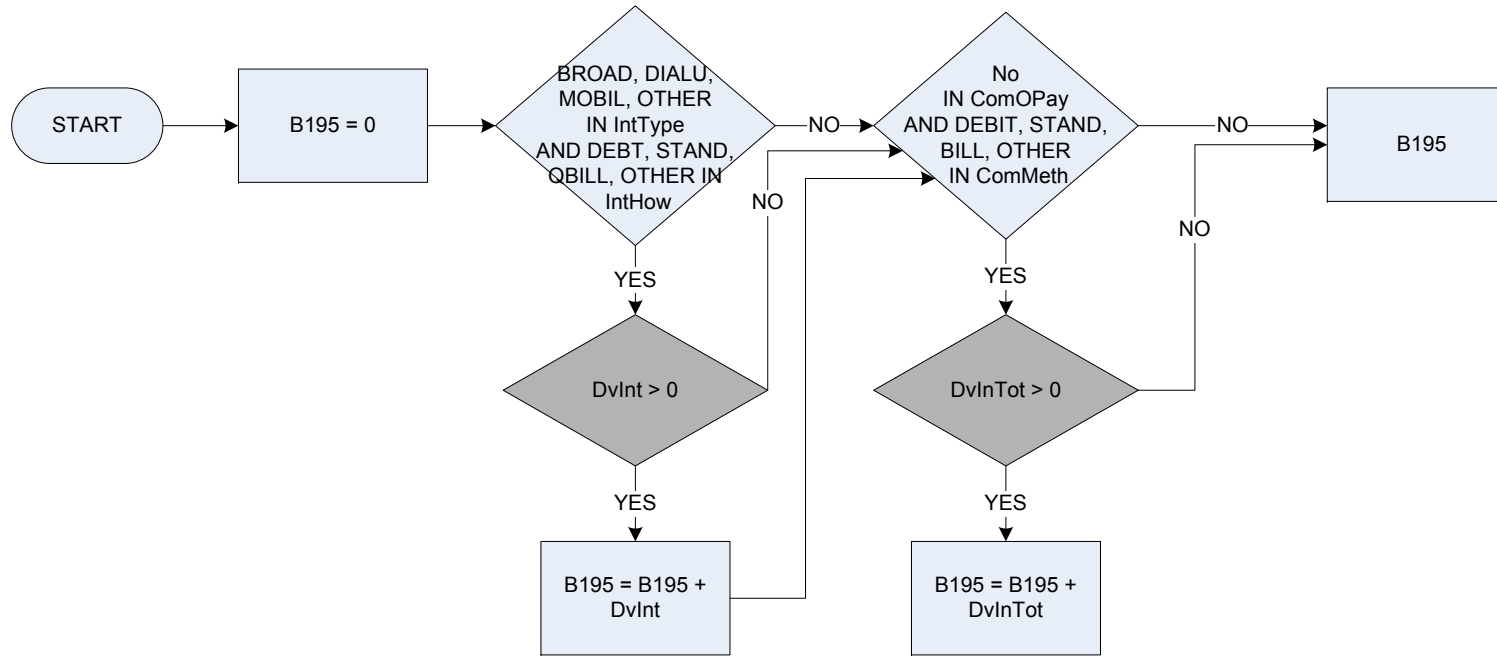
DvTv

Derived from TvPayAmt to give a weekly amount – (TvPayAmt – Rental/Subscription: How much did the respondent pay last time?)

DvTVTot

Derived from ComTVTot to give a weekly amount – (ComTVTot – Combined packages: How much of total was for television services?)

B195 – Internet – weekly amount



KEY

ComMeth

Which of these methods does the respondent use to pay?

Debit Direct debit

Stand Standing order

Bill Monthly/Quarterly bill

Other Other (please specify)

ComoPay

Did anyone outside the household, other than employer, give you the money for?

All all

Some or some of the account?

No Spontaneous - No to both

DvInt

Derived from IntAmt to give a weekly amount – (IntAmt – Internet: How much did the respondent pay last time?)

DvInTot

Derived from IntTot to give a weekly amount – (IntTot – How much of the total was for internet services?)

IntHow

Which of these methods does the respondent use to pay?

Debit Direct debit

Stand Standing order

Bill Monthly/Quarterly bill

Other Other (please specify)

IntType

What is the type of internet service?

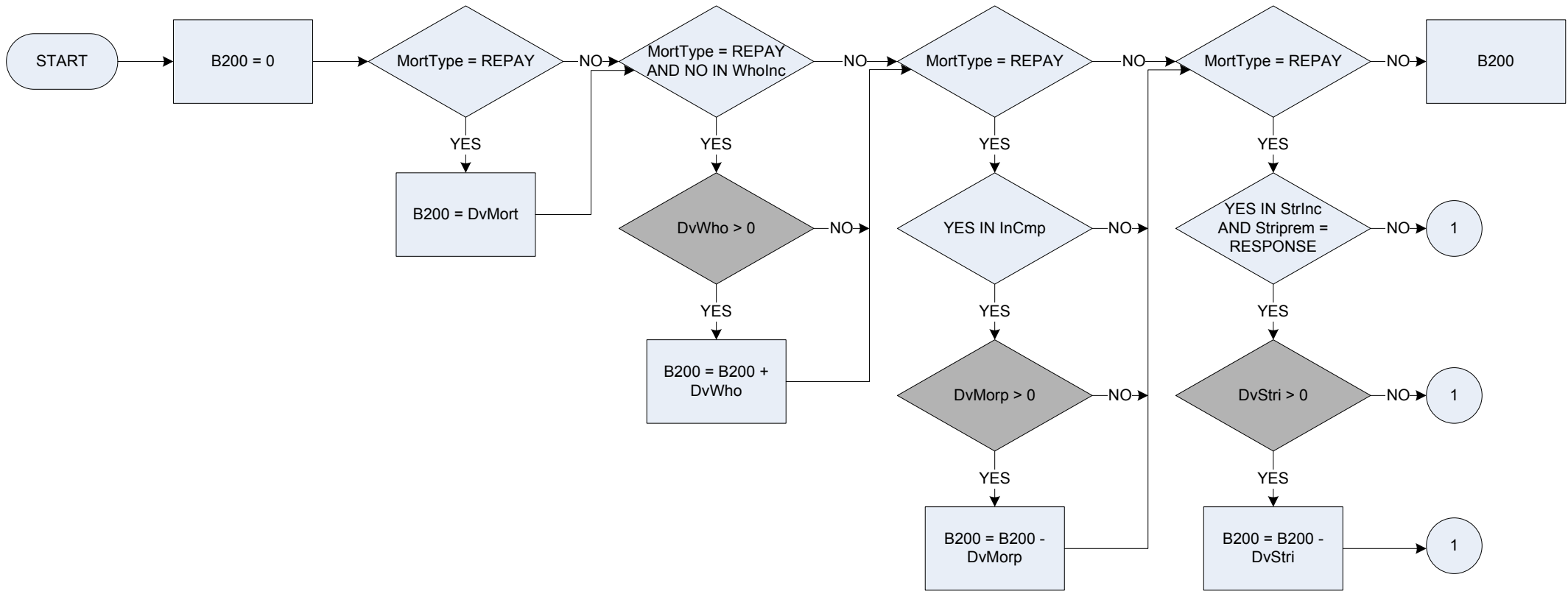
Broad Broadband through a landline/cable phone

Dialu Dial-up through a landline/cable phone

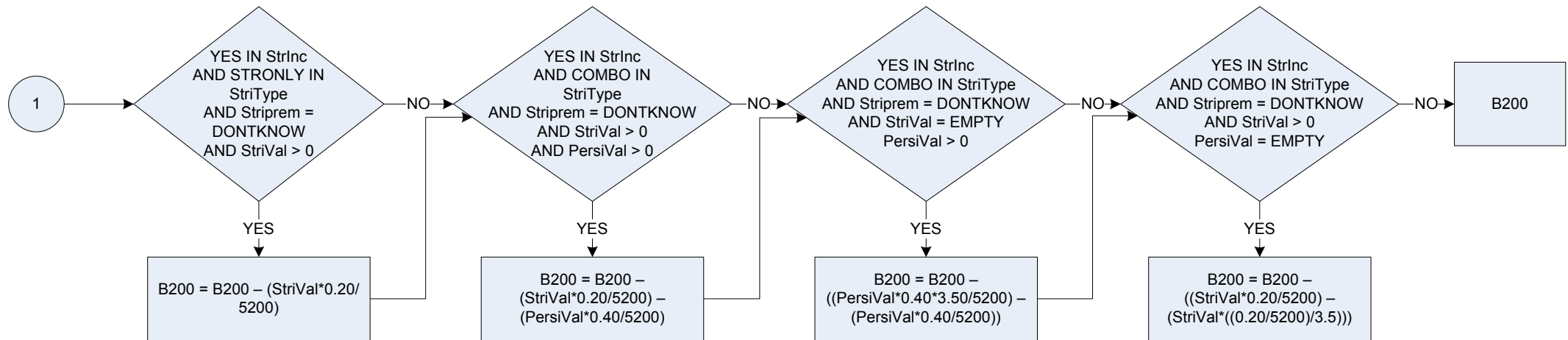
Mobil Mobile internet

Other Another type of internet connection

B200 – Mortgage interest/principal – last payment



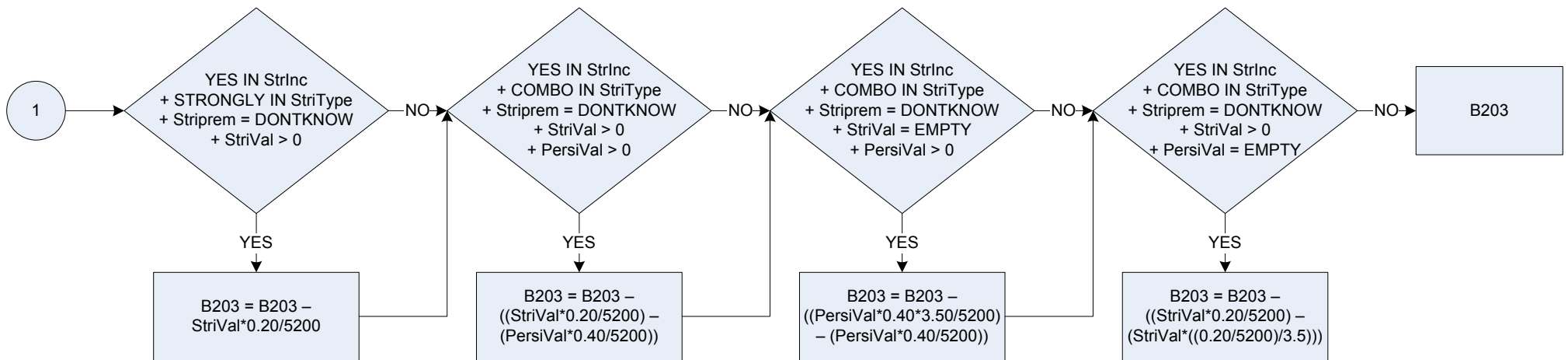
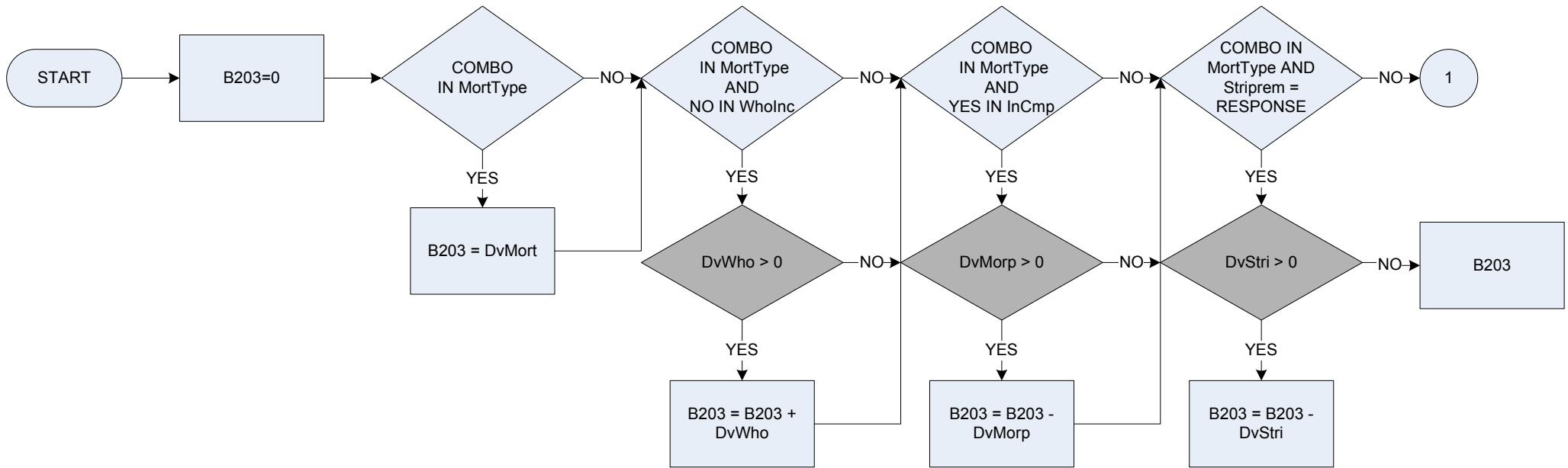
B200 – Mortgage interest/principal – last payment



KEY

DvMorp	Derived from MortProt to give a weekly amount – (<i>MortProt – Mortgage: (Apart from any endowment policies the respondent had mentioned). Do they have a mortgage protection policy to repay this mortgage in the event of sickness/accident, redundancy or death?</i>)
DvMort	Derived from MortPay to give a weekly amount – (<i>MortPay – Mortgage: How much was the respondent's last payment on this mortgage or loan?</i>)
DvStri	Derived from StriPrem to give a weekly amount – (<i>StriPrem – Structural Insurance: How much was the last premium?</i>)
DvWho	Derived from WhoAmt to give a weekly amount – (<i>WhoAmt – Mortgage: How much did the respondent pay last time?</i>)
InCmp	Is this payment included in the amount of [£amount] the respondent mentioned earlier?
MortType	What type of mortgage does the respondent have? Endow an endowment mortgage where your mortgage payments cover interest only? Repay or a repayment mortgage where your mortgage payments cover interest and part of the original loan? Pension or a pension mortgage where your mortgage payments cover interest only? PEP or a PEP, ISA or Unit Trust mortgage? COMBO or BOTH an endowment (or pension) mortgage AND a repayment mortgage?
PersiVal	What is the insured value of the furniture and contents and/or personal possessions?
Strinc	Was this insurance premium included in the respondent's last mortgage payment?
Striprem	How much was the last premium?
StriType	Are the payments for: StrOnly structure only Combo structure combined with furniture and contents and/or personal possessions PerOnly or furniture and contents and/or personal possessions?
StriVal	What is the insured value of the structure?
WhoInc	Was this amount included in the mortgage repayment the respondent mentioned earlier?

B203 – Mixed mortgage – last payment

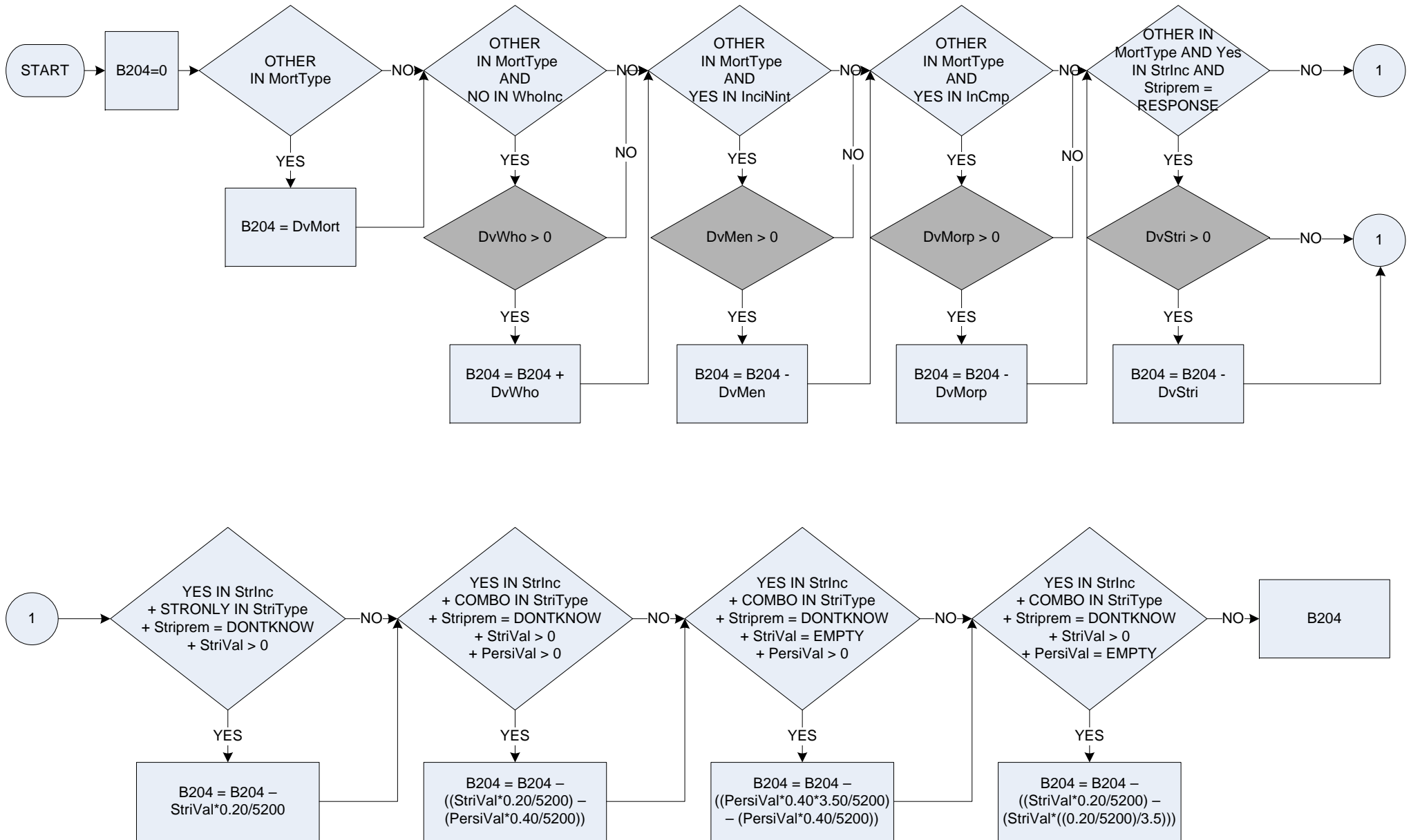


B203 – Mixed mortgage – last payment

KEY

DvMorp	Derived from MortProt to give a weekly amount – (<i>DvMorp – Mortgage: (Apart from any endowment policies they have mentioned). Does the respondent have a mortgage protection policy to repay this mortgage in the event of sickness/accident, redundancy or death?</i>)
DvMort	Derived from MortPay to give a weekly amount – (<i>MortPay – Mortgage: How much was the respondent's last payment on this mortgage or loan?</i>)
DvStri	Derived from StriPrem to give a weekly amount – (<i>StriPrem – Structural Insurance: How much was the last premium?</i>)
DvWho	Derived from WhoAmt to give a weekly amount – (<i>WhoAmt – Mortgage: How much did the respondent pay last time?</i>)
InCmp	Is this payment included in the amount the respondent mentioned earlier?
MortType	What type of mortgage does the respondent have? Endow an endowment mortgage where your mortgage payments cover interest only? Repay a repayment mortgage where your mortgage payments cover interest and part of the original loan? Pension a pension mortgage where your mortgage payments cover interest only? PEP a PEP, ISA or Unit Trust mortgage? COMBO BOTH an endowment (or pension) mortgage AND a repayment mortgage?
Persival	What is the insured value of the furniture and contents and/or personal possessions?
StrInc	Was this insurance premium included in the respondent's last mortgage payment?
Stritype	Are the payments for: StrOnly structure only Combo structure combined with furniture and contents and/or personal possessions PerOnly or furniture and contents and/or personal possessions
Strival	What is the insured value of the structure?
Wholnc	Was this amount included in the mortgage repayment the respondent mentioned earlier?

B204 – Other mortgage – last payment

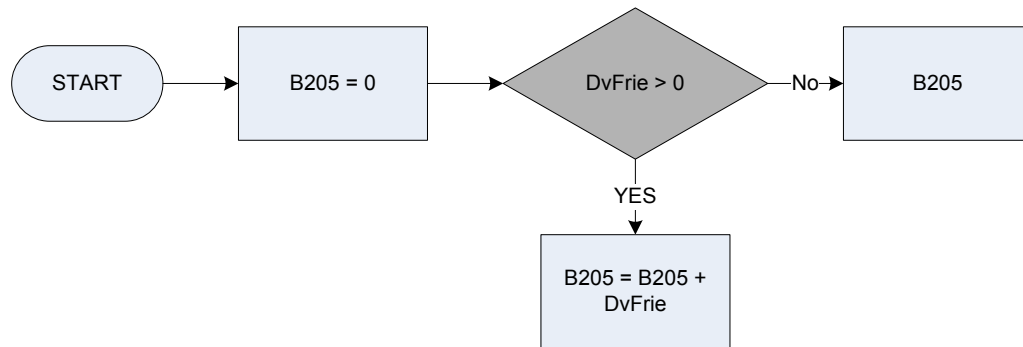


B204 – Other mortgage – last payment

KEY

DvMen	Derived from MenPolAm to give a weekly amount – (<i>DvMen – Mortgage with linked or other endowment policy covering repayment of mortgage: How much was your last payment on the endowment policy/ pension plan/ unit trust/ ISA/ other policy?</i>)
DvMorp	Derived from MortProt to give a weekly amount – (<i>DvMorp – Mortgage: (Apart from any endowment policies they have mentioned). Does the respondent have a mortgage protection policy to repay this mortgage in the event of sickness/accident, redundancy or death?</i>)
DvMort	Derived from MortPay to give a weekly amount – (<i>MortPay – Mortgage: How much was the respondents last payment on this mortgage or loan?</i>)
DvStri	Derived from StriPrem to give a weekly amount – (<i>StriPrem – Structural Insurance: How much was the last premium?</i>)
DvWho	Derived from WhoAmt to give a weekly amount – (<i>WhoAmt – Mortgage: How much did the respondent pay last time?</i>)
InCmp	Is this payment included in the amount the respondent mentioned earlier?
InciNint	Mortgage with linked or other endowment policy covering repayment of mortgage: Is this payment included in the amount you mentioned earlier?
MortType	What type of mortgage does the respondent have? Endow an endowment mortgage where your mortgage payments cover interest only? Repay a repayment mortgage where your mortgage payments cover interest and part of the original loan? Pension a pension mortgage where your mortgage payments cover interest only? PEP a PEP, ISA or Unit Trust mortgage? COMBO BOTH an endowment (or pension) mortgage AND a repayment mortgage?
Persival	What is the insured value of the furniture and contents and/or personal possessions?
StrInc	Was this insurance premium included in the respondent's last mortgage payment?
Stritype	Are the payments for: structure only; structure combined with furniture and contents and/or personal possessions; or furniture and contents and/or personal possessions?
Strival	What is the insured value of the structure?
WholInc	Was this amount included in the mortgage repayment the respondent mentioned earlier?

B205 – Friendly societies – deductions from main pay

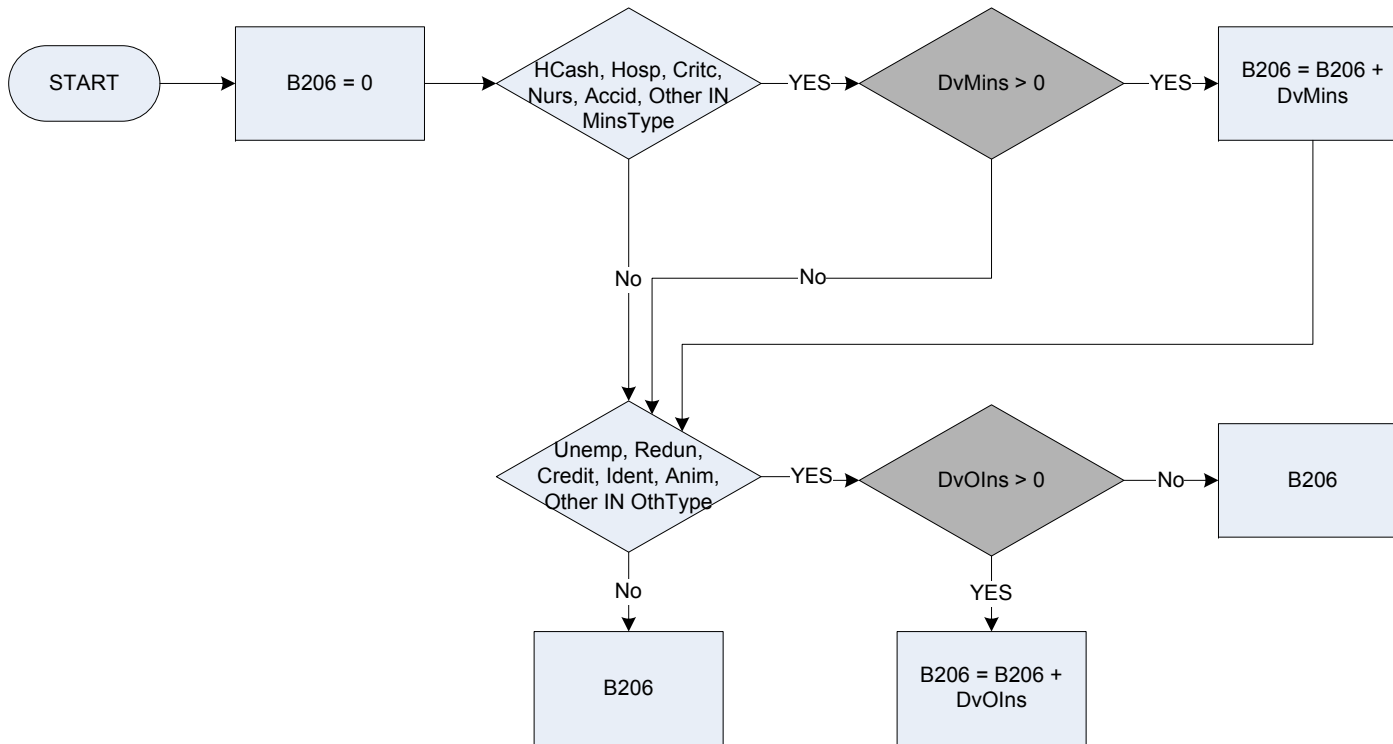


KEY

DvFrie

Derived from FrieAt to give a weekly amount – (*FrieAt – Pay: How much was deducted for Friendly Societies?*)

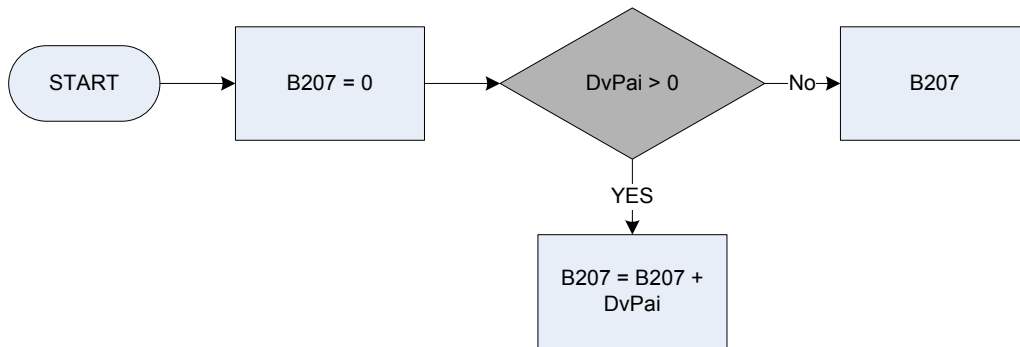
B206 – Other insurance – total amount premium



KEY

DvMins	Derived from MinsAmt to give a weekly amount – (MinsAmt – Other Insurance: How much was the last payment?)
MinsType	What type of policy insurance is this?
Hcash	Health cash plan
Critc	Critical illness cover
Nurs	Nursing home/long-term care
Accid	Personal accident
Other	Other (please specify)
OthType	What type of insurance policy is this?
Unemp	Unemployment insurance
Redun	Redundancy insurance
Credit	Credit card protection insurance
Ident	Identity fraud
Anim	Animal/pet insurance
Other	Other (please specify)

B207 – Education grant – total amount received in cash

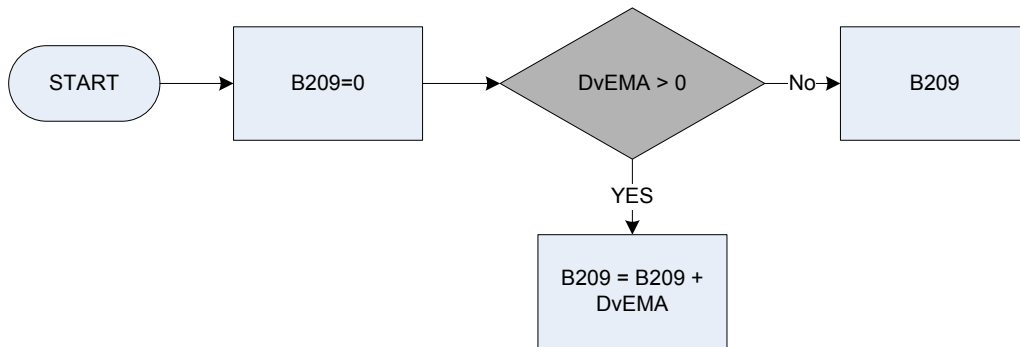


KEY

Dvpai

Derived from PaidDir to give a weekly amount – (*PaidDir – Education: How much of the grant is paid direct to 'Names'?*)

B209 – Educational maintenance allowance – total amount received

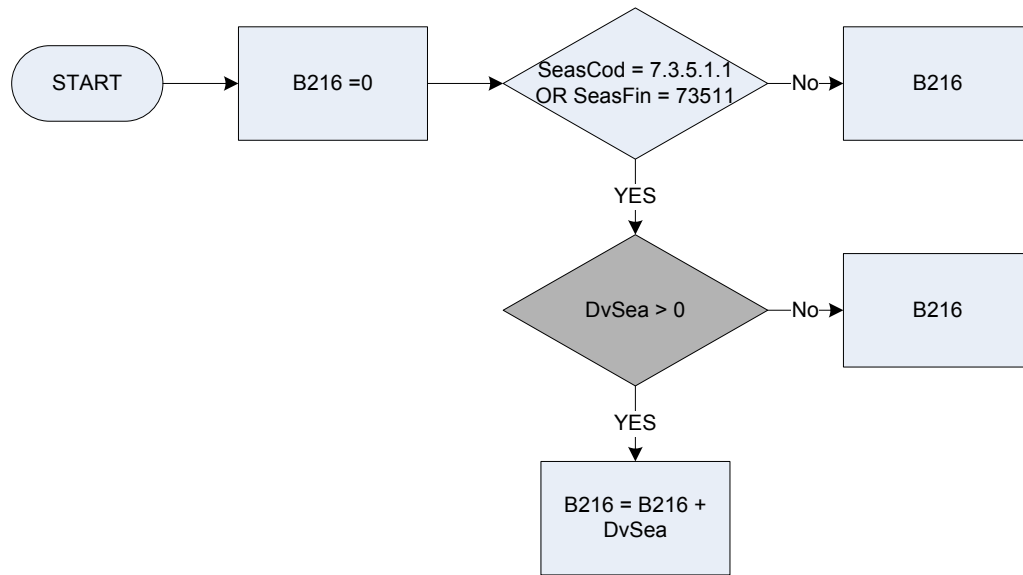


KEY

DvEMA

Derived from EMA to give a weekly amount – (EMA - Educational Maintenance Allowance: How much was received last time?)

B216 – Bus + tube and/or rail season

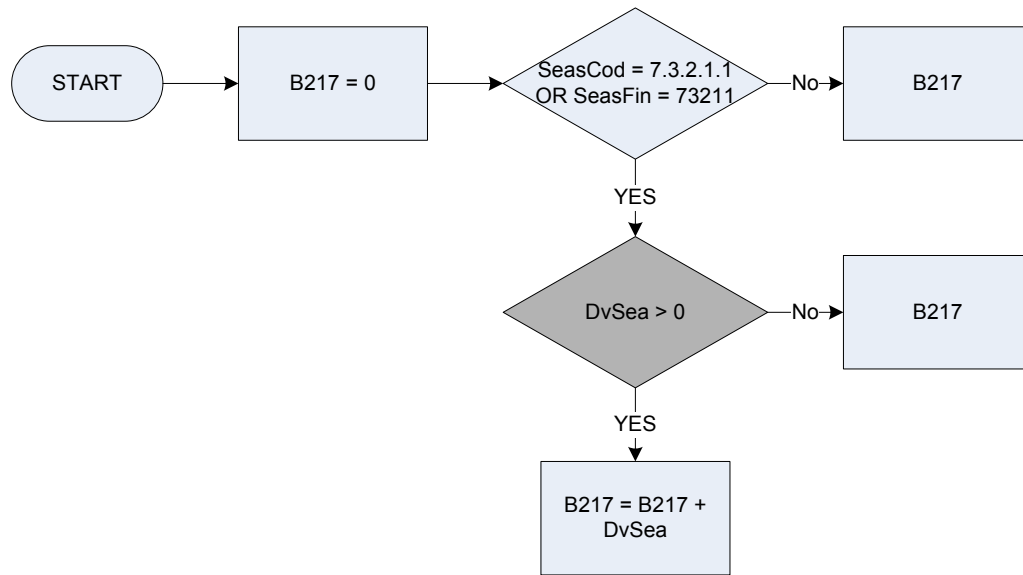


KEY

DvSea
SeasCod
SeasFin

Derived from SeasVal to give a weekly amount – (SeasVal – Season Tickets: How much did the respondent pay for their season ticket?)
Expenditure Code: Season tickets
Expenditure Code: Season tickets
73511 Combined fare season tickets

B217 – Season ticket – bus/coach – total net amount

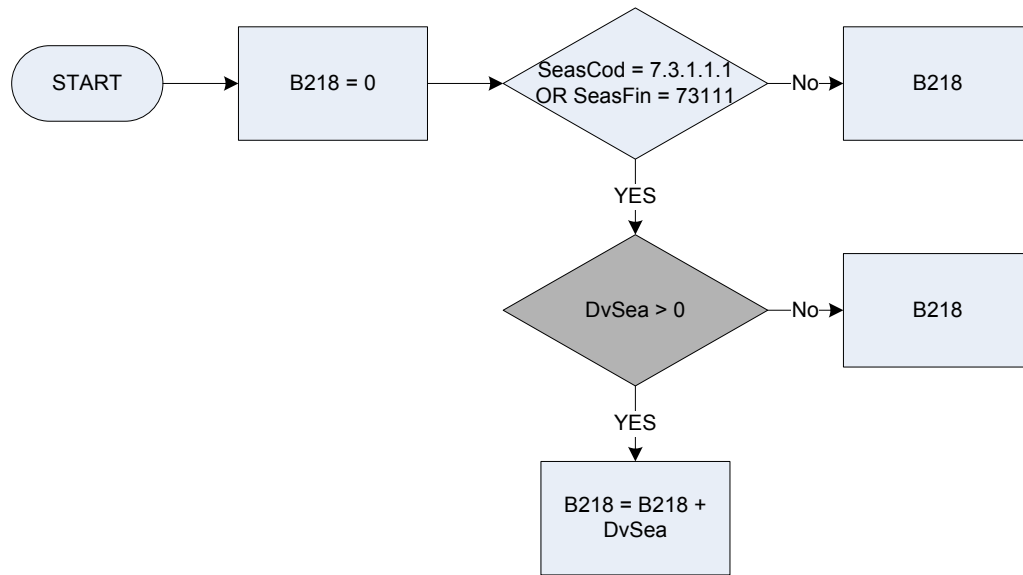


KEY

DvSea
SeasCod
SeasFin

Derived from SeasVal to give a weekly amount – (SeasVal – Season Tickets: How much did the respondent pay for their season ticket?)
Expenditure Code: Season tickets
Expenditure Code: Season tickets
73211 Bus and coach season tickets

B218 – Season ticket – rail/tube – total net amount

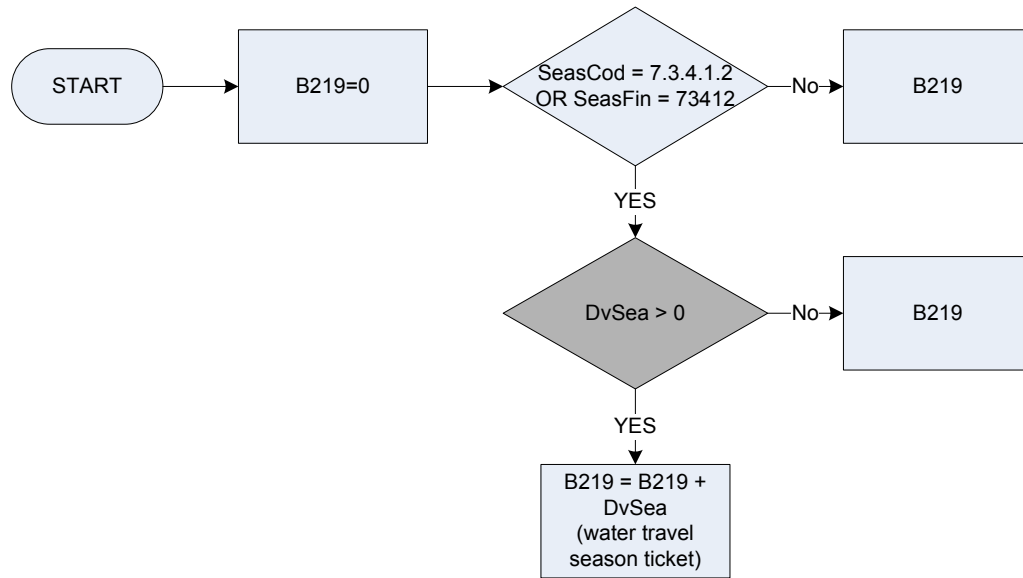


KEY

DvSea
SeasCod
SeasFin

Derived from SeasVal to give a weekly amount – (*SeasVal – Season Tickets: How much did the respondent pay for their season ticket?*)
Expenditure Code: Season tickets
Expenditure Code: Season tickets
73111 *Railway and tube season tickets*

B219 - Water travel season ticket

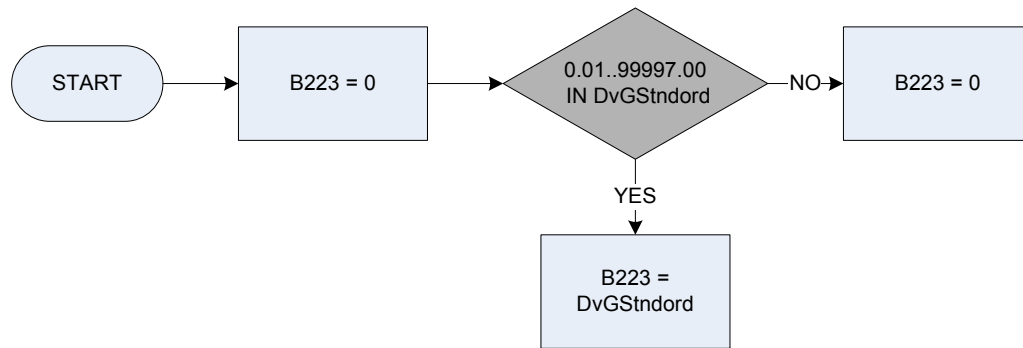


KEY

DvSea
SeasCod
SeasFin

Derived from SeasVal to give a weekly amount – (SeasVal – Season Tickets: How much did the respondent pay for their season ticket?)
Expenditure Code: Season tickets
Expenditure Code: Season tickets
73412 Water travel season tickets

B223 – Gas – amount of payment (standing order)

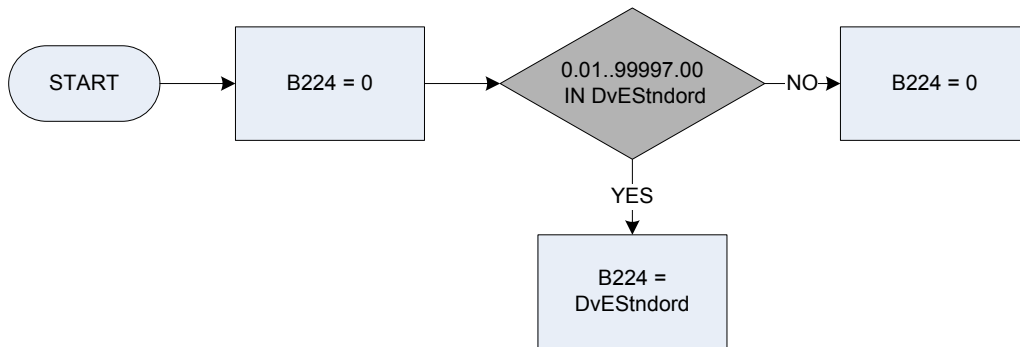


KEY

DvGStndord

Derived from GStndordAmt to give a weekly amount – (*GStndordAmt - Gas: How much was the respondent's last standing order payment?*)

B224 – Electricity – amount of payment (standing order)

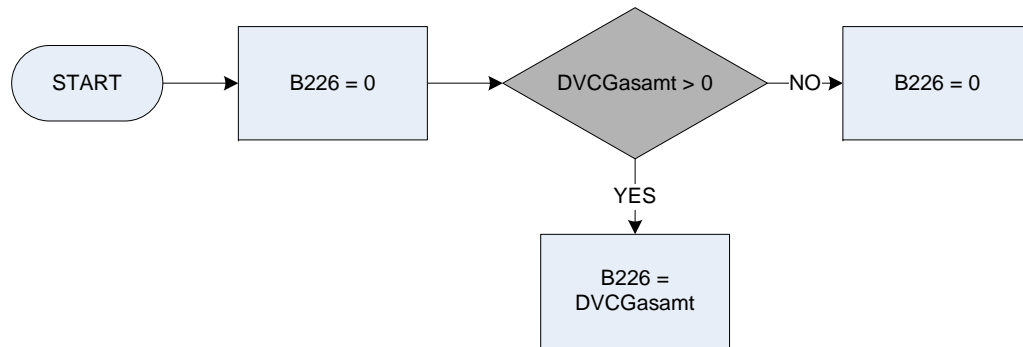


KEY

DvEStndord

Derived from EStndordAmt to give a weekly amount – (*EStndordAmt - Electricity: How much was the respondent's last standing order payment?*)

B226 – Gas – combined account – amount

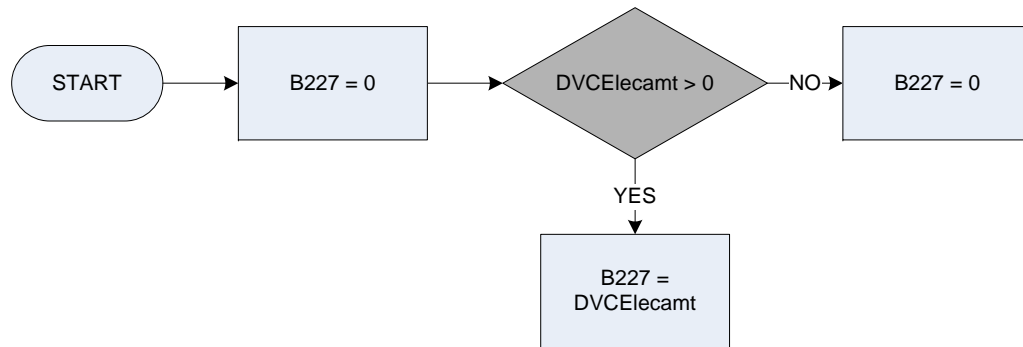


KEY

DVCGasamt

Derived from CGasamt to give a weekly amount – (CGasAmt – Gas/electricity: How much of the total combined amount did you pay for gas?)

B227 – Electricity – combined account - amount

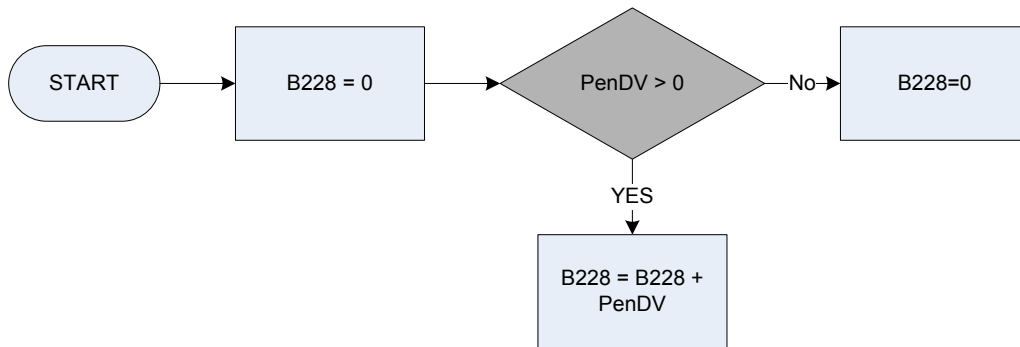


KEY

DVCElecamt

Derived from CElecamt to give a weekly amount – (*CElecamt – Gas/electricity: How much of the total combined amount did you pay for electricity?*)

B228 – Personal pensions

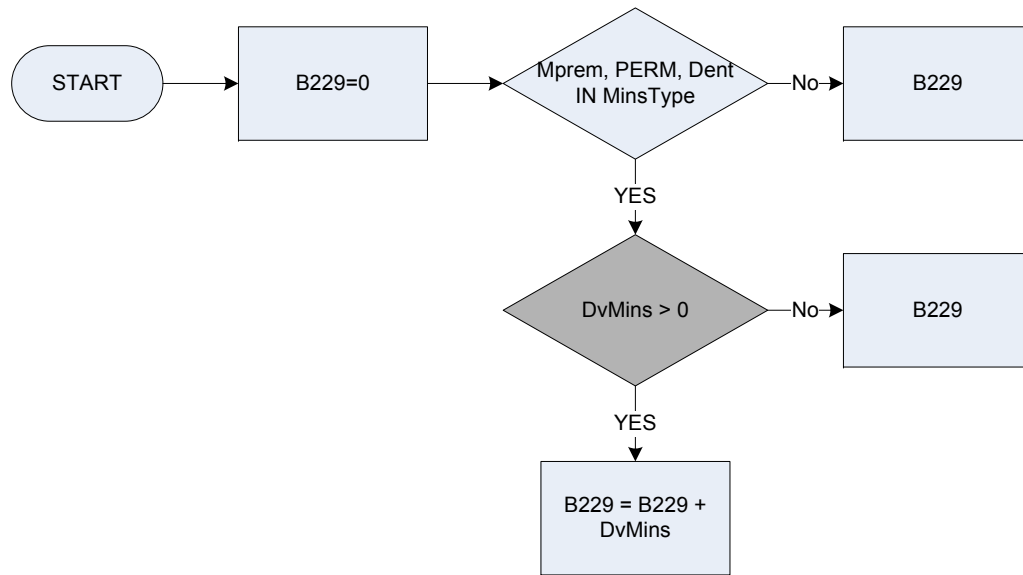


KEY

PenDv

Derived from PensAmt to give a weekly amount – (*PensAmt – Private Pension: How much was the respondent's last pension contribution?*)

B229 – Medical insurance – total amount premium



KEY

DvMins
MinsType

Derived from MinsAmt to give a weekly amount – (MinsAmt – Other Insurance: How much was the last payment?)

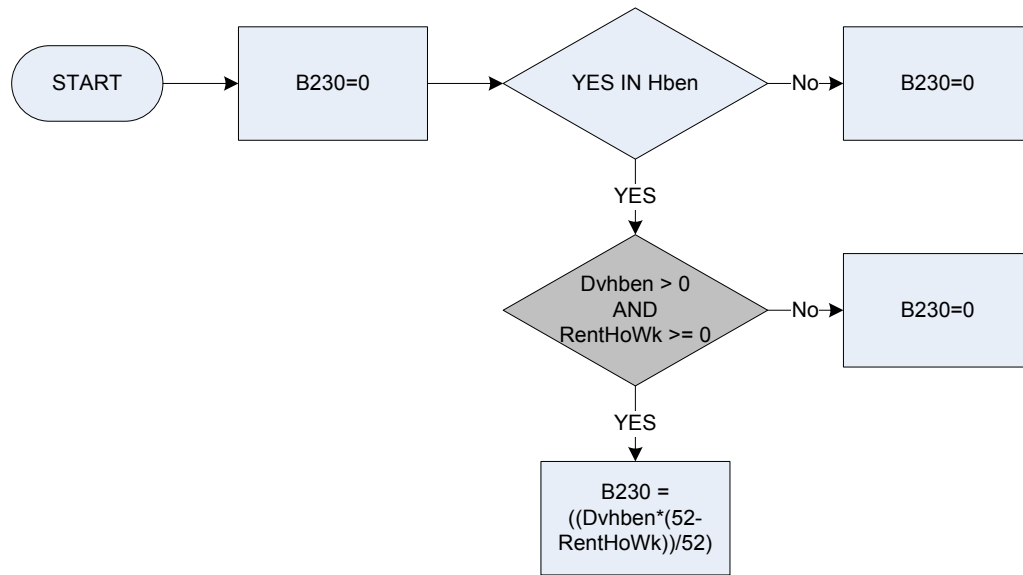
What type of policy insurance is this?

Dent *Dental insurance*

MPrem *Private medical insurance schemes (eg BUPA, HCS, PPA, PPP, WPA)*

Perm *Permanent health insurance (PHI)*

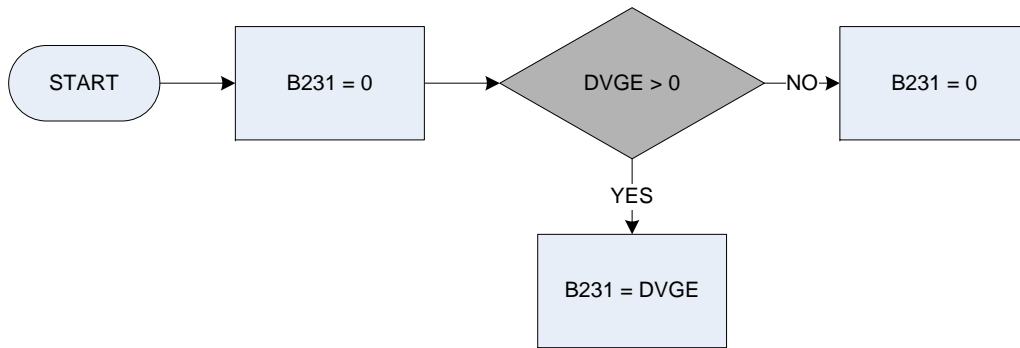
B230 – Rent rebate – amount recieved inc non-sep rate rebate



KEY

Dvhben	Derived from Hben to give a weekly amount – (<i>Hben – Benefits: For how many weeks a year does the respondent have a rent holiday?</i>)
Hben	Does the respondent or anyone else in the household receive Housing Benefit either directly or by having it paid to their landlord on their behalf?
1	Yes
2	No
RentHoWk	For how many weeks a year do you have a rent holiday?

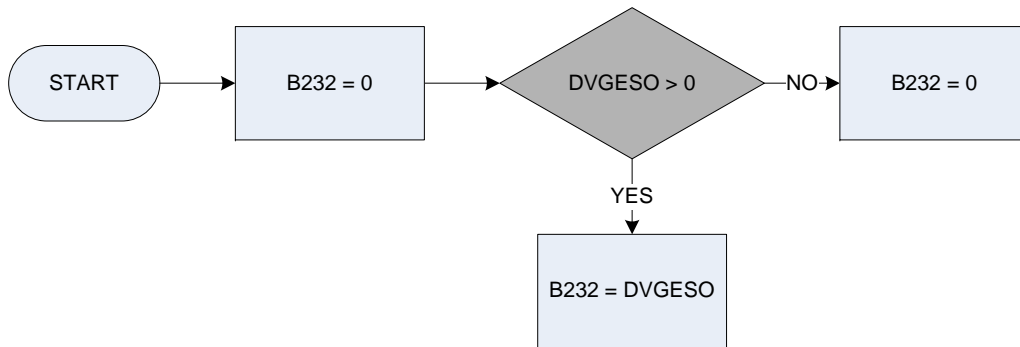
B231 – Gas and electricity – combined account – total amount



KEY

DVGE Derived from GEAmt to give a weekly amount – (GEAmt – Gas/electricity: How much did you pay in total last time for electricity and gas?)

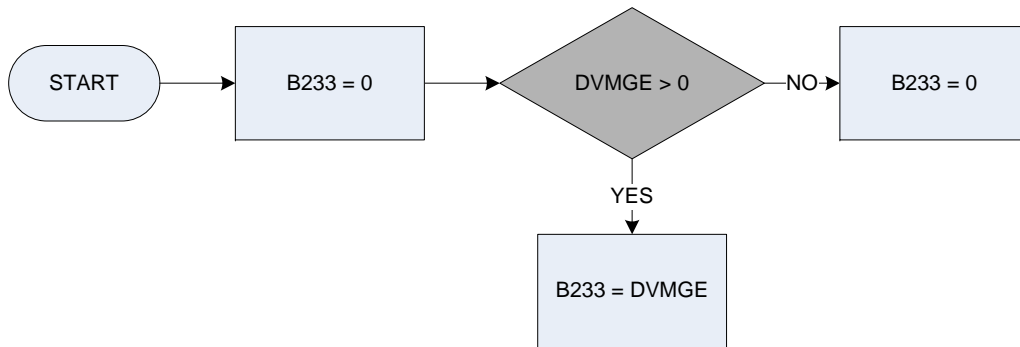
B232 – Gas and electricity – standing order – total amount



KEY

DVGESO Derived from GESOAmt to give a weekly amount – (*GESOAmt – Gas/electricity: How much did you pay in total last time for electricity and gas?*)

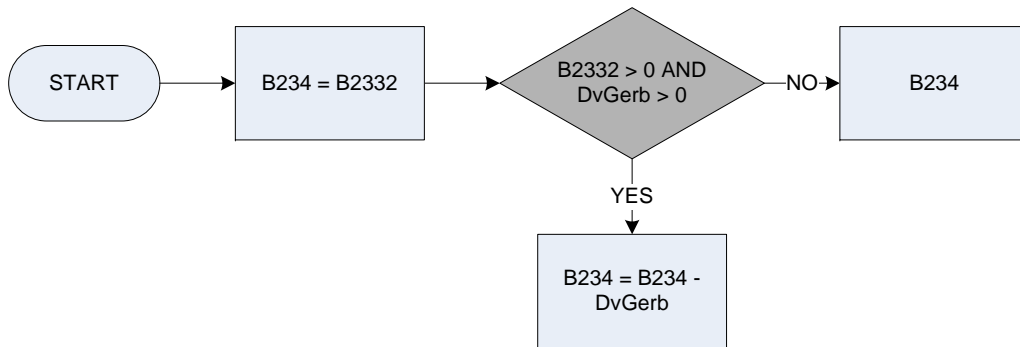
B233 – Gas and electricity – pre-payment meter – total amount



KEY

DVMGE Derived from GEMeter to give a weekly amount – (*GEMeter – Gas/electricity: How much money did you last put on your key/meter?*)

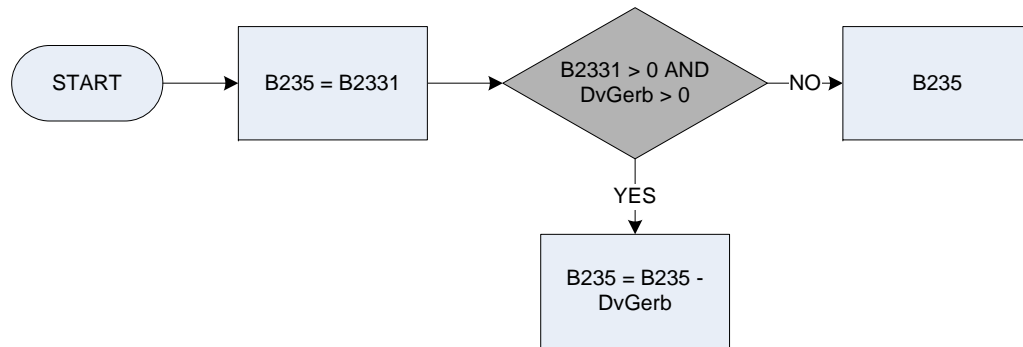
B234 – Electricity pre-payment meter (combined account) less rebate



KEY

B2332 Electricity (combined account) pre-payment - amount
DvGerb Derived from GerbtAmt to give a weekly amount – (*GerbtAmt – Gas/electricity: How much was the last rebate?*)

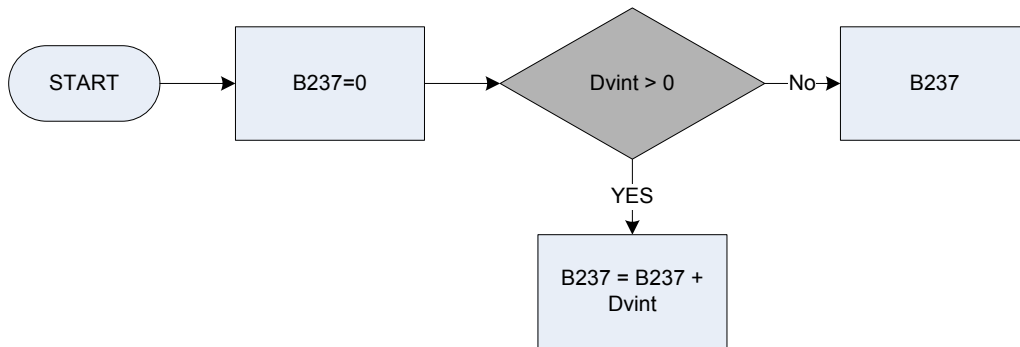
B235 – Gas pre-payment meter (combined account) less rebate



KEY

B2331 Gas (combined account) pre-payment - amount
DvGerb Derived from GerbtAmt to give a weekly amount – (*GerbtAmt – Gas/electricity: How much was the last rebate?*)

B237 – Credit card interest payments

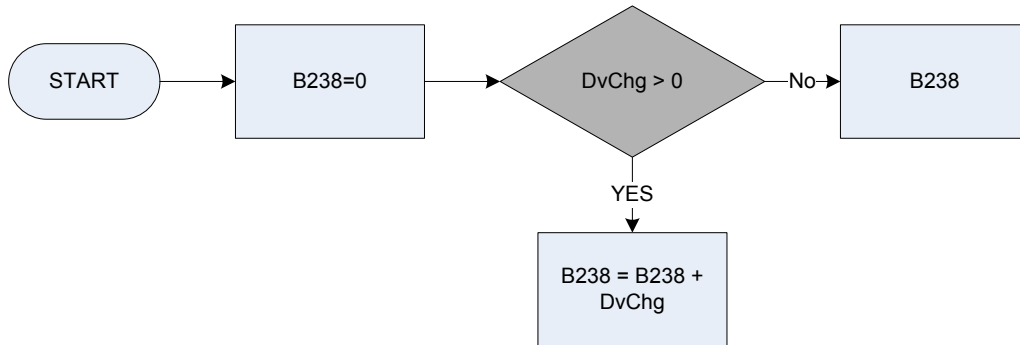


KEY

Dvint

Derived from IntAmt to give a weekly amount – (*IntAmt – Credit Cards: How much interest was shown?*)

B238 – Annual standing charge for credit cards weekly amount

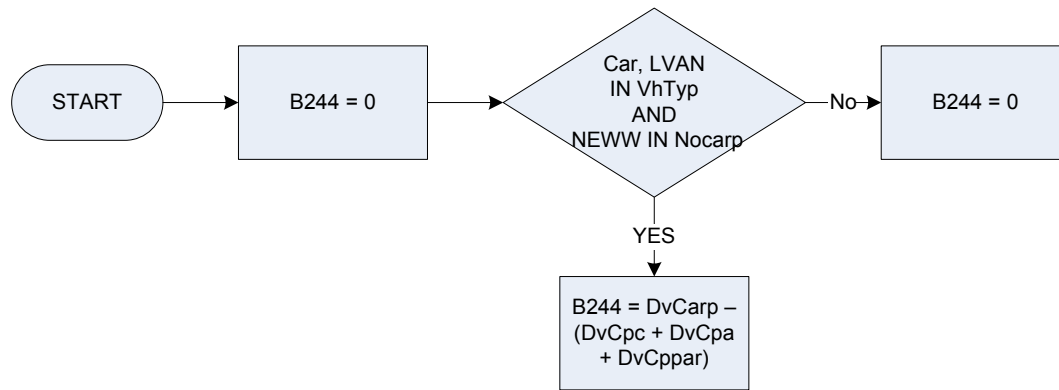


KEY

DvChg

Derived from ChgAmt to give a weekly amount – (ChgAmt – Credit Cards: How much has the respondent paid in total in the last 12 months?)

B244 – Vehicle – cost of new car | van outright



KEY

DvCarp	Derived from Carpamt to give a weekly amount – (<i>Carpamt – Vehicles: How much was the cash price of this vehicle, BEFORE taking off any part exchange or trade-in?</i>)
DvCpc	Derived from Cpparamt to give a weekly amount – (<i>Cpparamt – Vehicles: How much was allowed for road tax?</i>)
DVCpa	Derived from Cpinsamt to give a weekly amount – (<i>Cpinsamt – Vehicles: How much was included for vehicle insurance?</i>)
DvCppar	Derived from Cpparamt to give a weekly amount – (<i>Cpparamt – Vehicles: How much was allowed for part exchange/trade-in?</i>)

Nocarp

Was the vehicle new or second-hand?

NEWW New

SEC Second hand

VhTyp

Is the vehicle:

Car a car

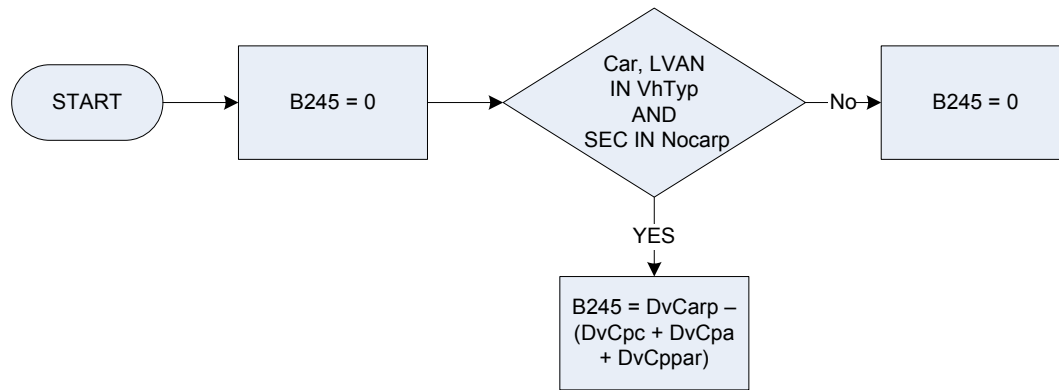
Ivan a light van

mcycle a motor cycle

mcvan a motor caravan

other or some other motor vehicle ⁵²⁵

B245 – Vehicle – cost of second hand car | van outright



KEY

DvCarp	Derived from Carpamt to give a weekly amount – (<i>Carpamt – Vehicles: How much was the cash price of this vehicle, BEFORE taking off any part exchange or trade-in?</i>)
DvCpc	Derived from Cpparamt to give a weekly amount – (<i>Cpparamt – Vehicles: How much was allowed for road tax?</i>)
DVCpa	Derived from Cpinsamt to give a weekly amount – (<i>Cpinsamt – Vehicles: How much was included for vehicle insurance?</i>)
DvCppar	Derived from Cpparamt to give a weekly amount – (<i>Cpparamt – Vehicles: How much was allowed for part exchange/trade-in?</i>)

Nocarp

Was the vehicle new or second-hand?

NEWW New

SEC Second hand

VhTyp

Is the vehicle:

Car a car

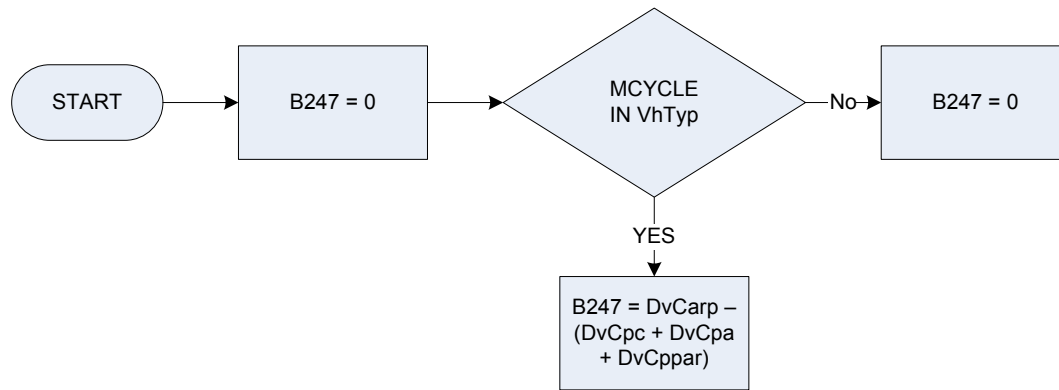
Ivan a light van

mcycle a motor cycle

mcvan a motor caravan

other or some other motor vehicle ⁵²⁶

B247 – Vehicle – cost of motorcycles outright



KEY

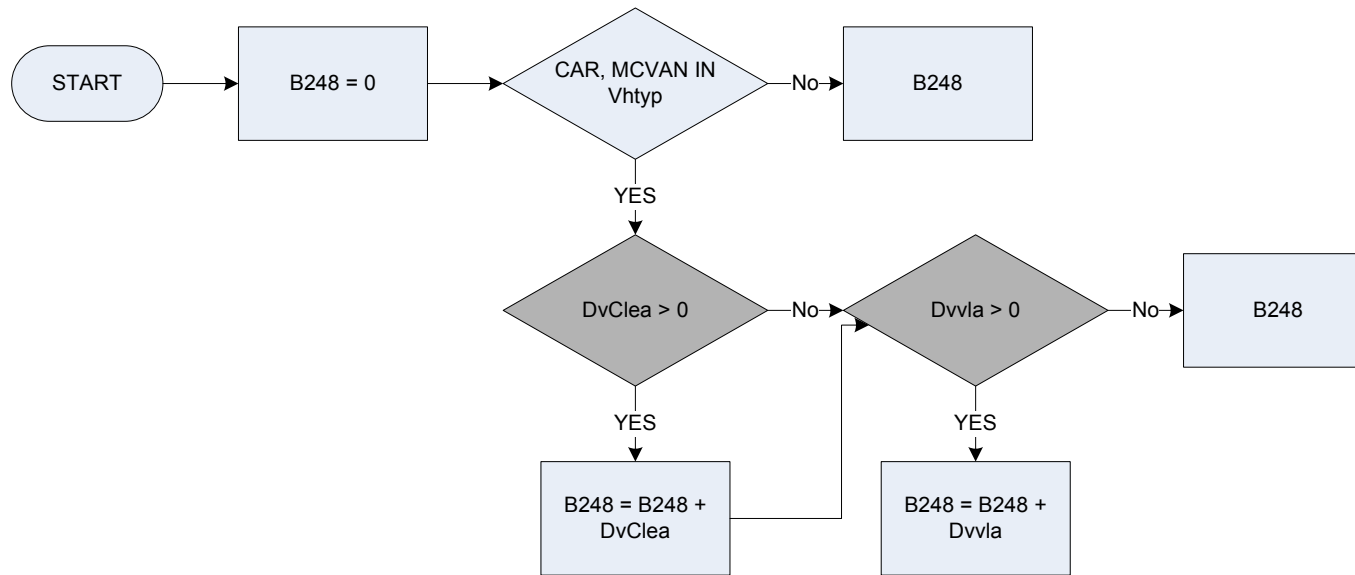
DvCarp	Derived from Carpamt to give a weekly amount – (<i>Carpamt – Vehicles: How much was the cash price of this vehicle, BEFORE taking off any part exchange or trade-in?</i>)
DvCpc	Derived from Cpparamt to give a weekly amount – (<i>Cpparamt – Vehicles: How much was allowed for road tax?</i>)
DVCpa	Derived from Cpinsamt to give a weekly amount – (<i>Cpinsamt – Vehicles: How much was included for vehicle insurance?</i>)
DvCppar	Derived from Cpparamt to give a weekly amount – (<i>Cpparamt – Vehicles: How much was allowed for part exchange/trade-in?</i>)

VhTyp

Is the vehicle:

Car	a car
Ivan	a light van
mcycle	a motor cycle
mcvan	a motor caravan
other	or some other motor vehicle

B248 – Car leasing – expenditure



KEY

DvClea
Dvvla
VhTyp

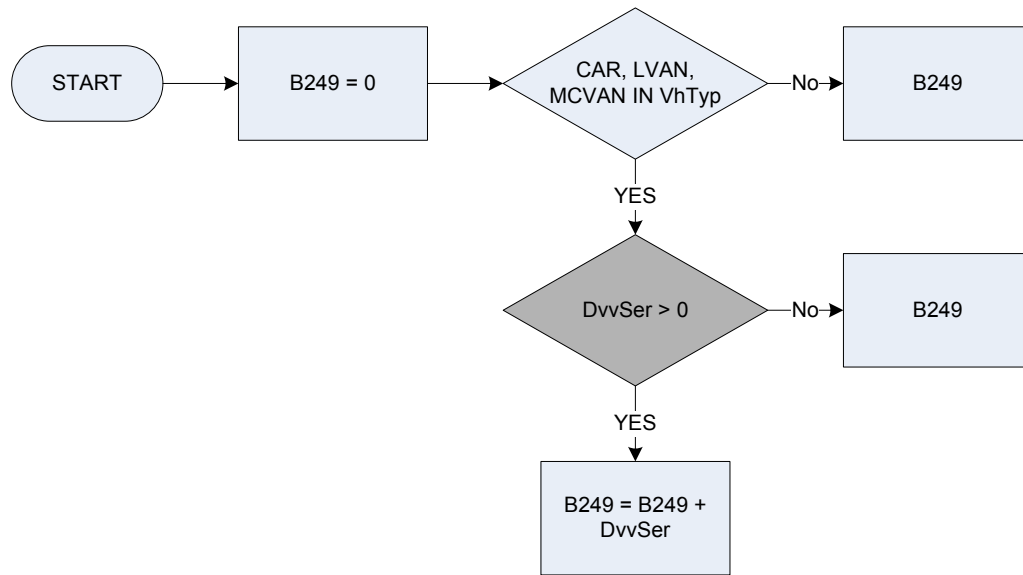
Derived from CLeaAmt to give a weekly amount – (CleaAmt – Vehicles: How much was your last leasing/hire payment?)

Derived from Lamt to give a weekly amount – (Lamt – Vehicles: How much was your last leasing payment?)

Is the respondent's vehicle:

car	a car
lvan	a light van
mcycle	a motor cycle
mcvan	a motor caravan
other	or some other motor vehicle

B249 – Car or van – servicing: amount paid



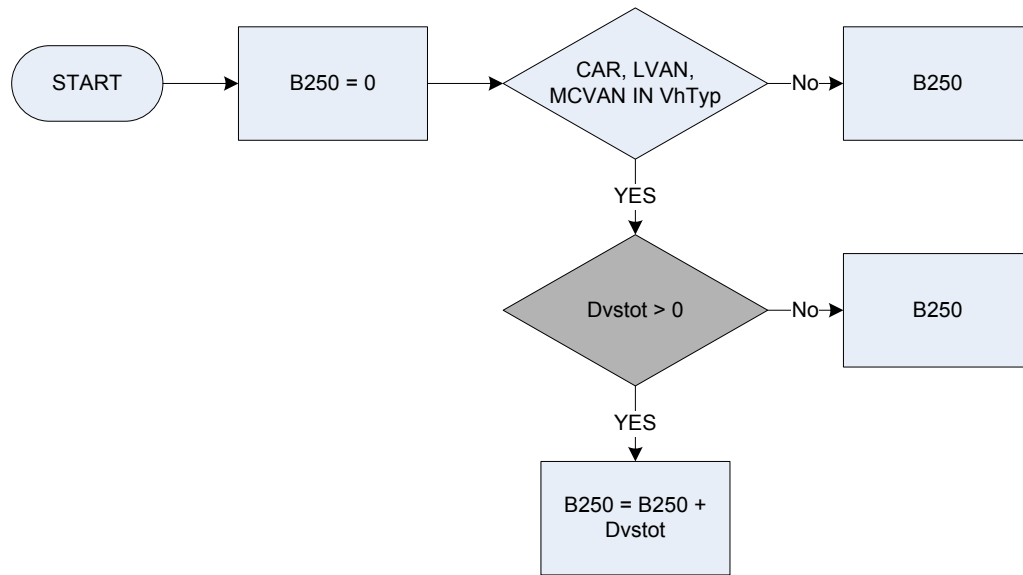
KEY

DvvSer
VhTyp

Derived from ServPy to give a weekly amount – (*ServPy – Vehicles: How much did the service cost, including any spare parts?*)
Is the respondent's vehicle:

car a car
lvan a light van
mcycle a motor cycle
mcvan a motor caravan
other or some other motor vehicle?

B250 – Car or van – other works, repairs: amount paid



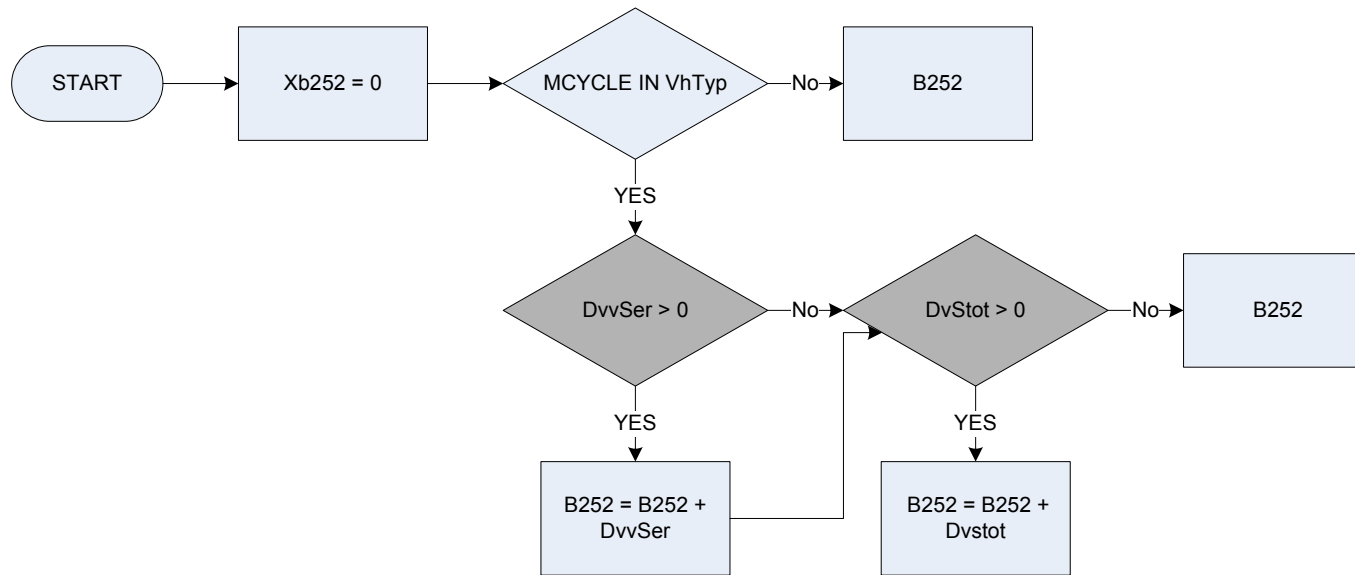
KEY

Dvstot
VhTyp

Derived from WKTot to give a weekly amount – (WKTot – Vehicles: How much has the respondent paid for this other work in the last 3 months?)
Is the respondent's vehicle:

- car** a car
- lvan** a light van
- mcycle** a motor cycle
- mcvan** a motor caravan
- other** or some other motor vehicle?

B252 – Motor cycle – services, repairs: amount paid



KEY

Dvstot
DvvSer
VhTyp

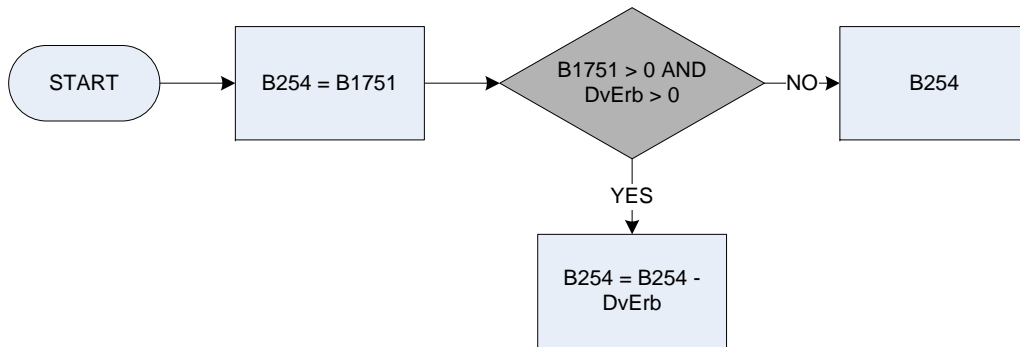
Derived from WkTot to give a weekly amount – (*Dvstot* – Vehicle: How much have you paid for this other work in the last 3 months?)

Derived from Servpy to give a weekly amount – (*Servpy* – Vehicle: How much did the service cost, including any spare parts?)

Is the vehicle:

car a car
lvan a light van
mcycle a motor cycle
mcvan a motor caravan
other or some other motor vehicle?

B254 – Electricity (separate account) pre-payment meter less rebate

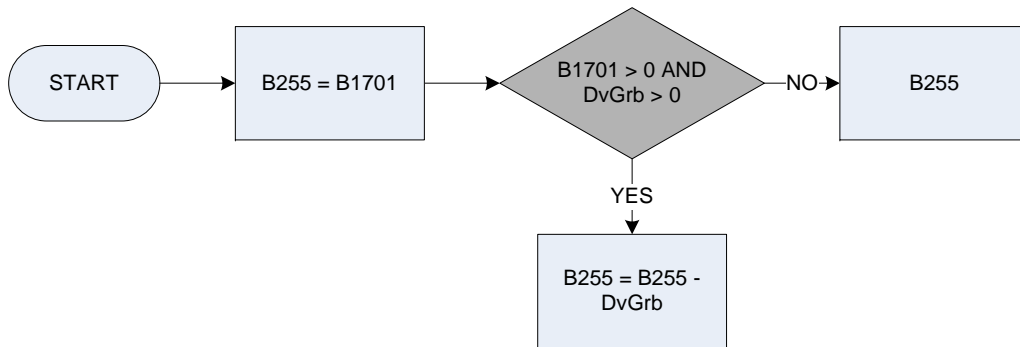


KEY

B1751
DvErb

Electricity (separate account) pre-payment - amount
Derived from ERbtAmt to give a weekly amount – (ERbtAmt – Electricity: How much was the last rebate?)

B255 – Gas pre-payment meter (separate account) less rebate

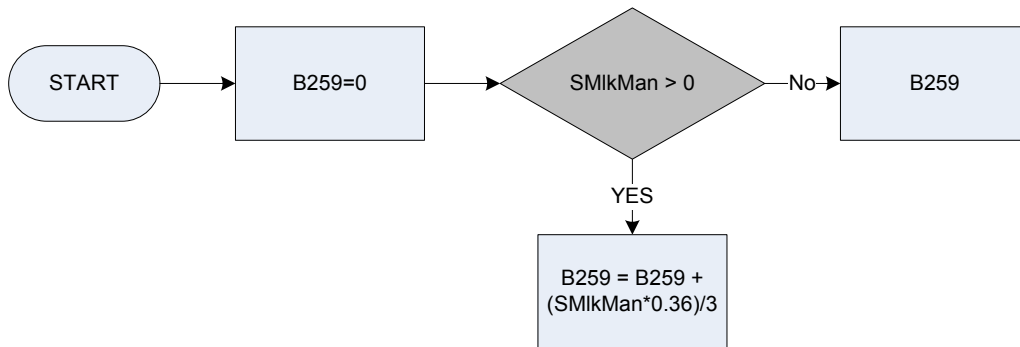


KEY

B1701
DvGrb

Gas (separate account) pre-payment - amount
Derived from GrbtAmt to give a weekly amount – (*GrbtAmt – Gas: How much was the last rebate?*)

B259 – School milk – imputed value last week

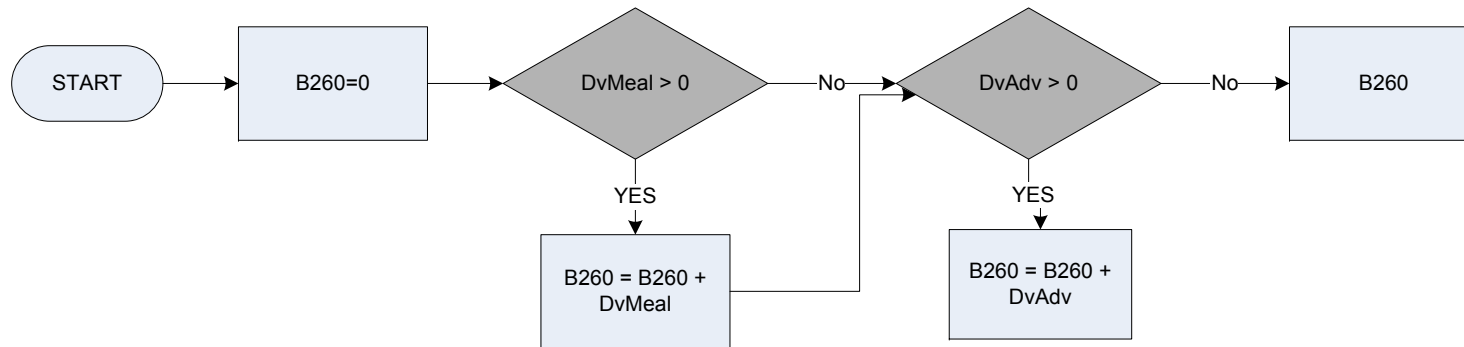


KEY

SMikMan

How many cartons or bottles were received in the 7 days ending yesterday?

B260 – School meals – total amount



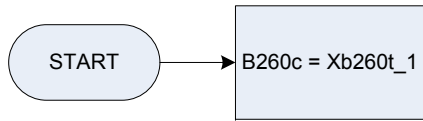
KEY

DvAdv
DvMeal

Derived from AdvAmt to give a weekly amount – (Advamt – Last amount paid to school for meals)

Derived from MealAmt to give a weekly amount – (MealAmt – School Meals: How much did the respondent pay for meals during the 7 days ending yesterday?)

B260c – School meals – total amount paid last week

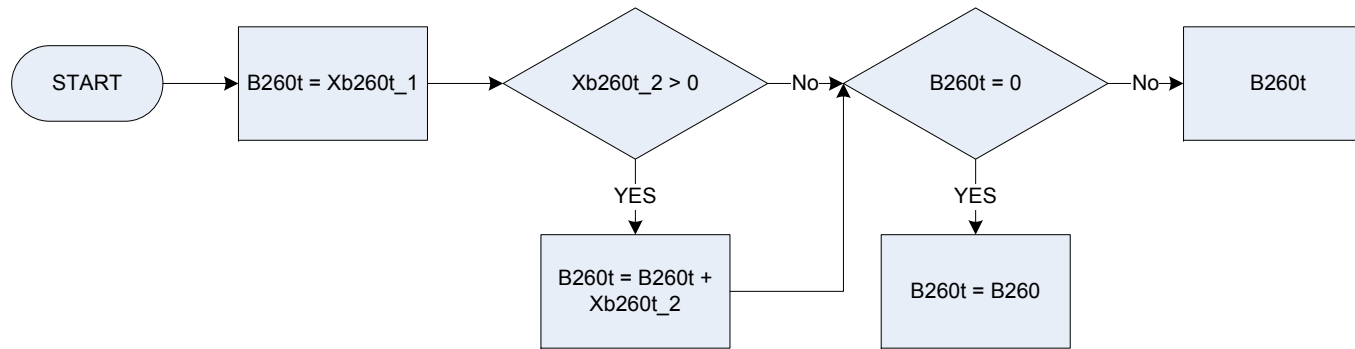


KEY

Xb260t_1

School meals - total amount paid last week

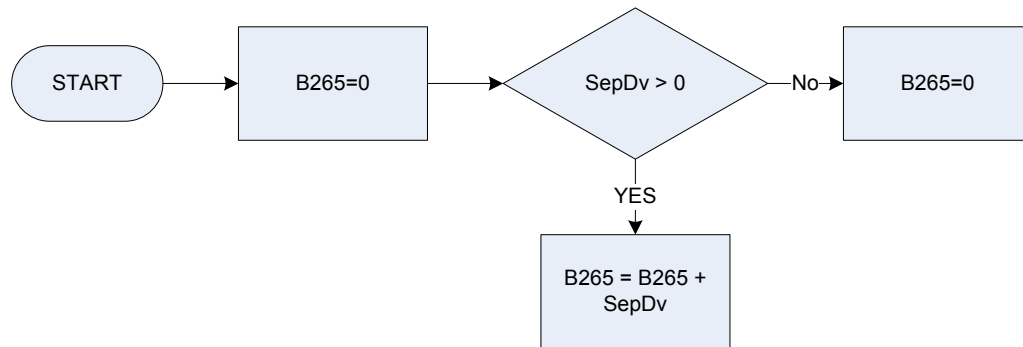
B260t – School meals – total amount paid last week



KEY

B260t School meals – total amount
Xb260t_1 Temporary variable used in calculations - Expenditure Code CB1212c: School dinner
Xb260t_2 Temporary variable used in calculations – Expenditure Code

B265 – Maintenance allowance expenditure

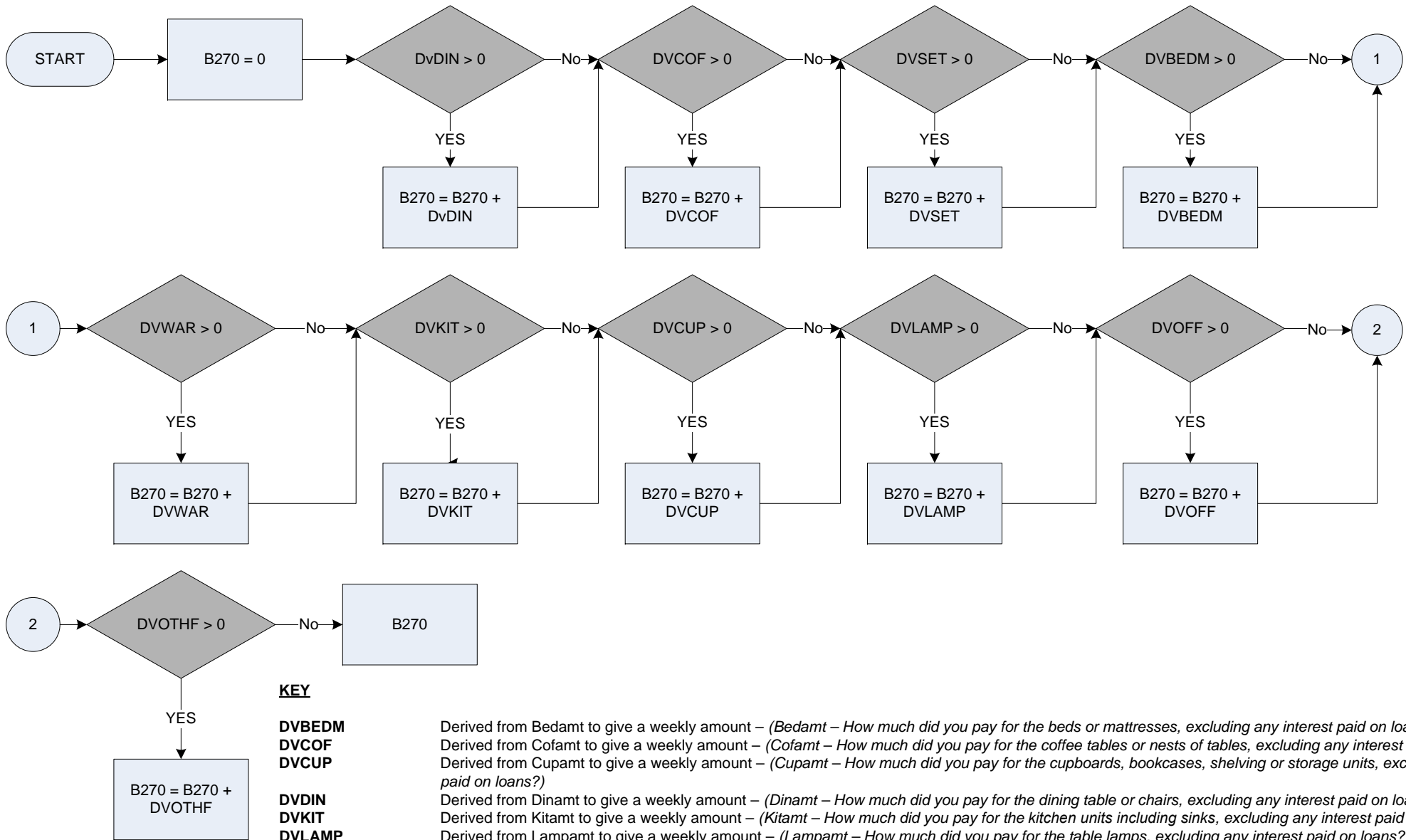


KEY

SepDv

Derived from AllwAmt to give a weekly amount – *(AllwAmt – Separation/Maintenance Allowance: How much was the last payment?)*

B270 – Furniture



KEY

DVBEDM
DVCOF
DVCUP

DVDIN
DVKIT
DVLAMP
DVOFF
DVOTHF
DVSET
DVWAR

Derived from Bedamt to give a weekly amount – (Bedamt – How much did you pay for the beds or mattresses, excluding any interest paid on loans?)

Derived from Cofamt to give a weekly amount – (Cofamt – How much did you pay for the coffee tables or nests of tables, excluding any interest paid on loans?)

Derived from Cupamt to give a weekly amount – (Cupamt – How much did you pay for the cupboards, bookcases, shelving or storage units, excluding any interest paid on loans?)

Derived from Dinamt to give a weekly amount – (Dinamt – How much did you pay for the dining table or chairs, excluding any interest paid on loans?)

Derived from Kitamt to give a weekly amount – (Kitamt – How much did you pay for the kitchen units including sinks, excluding any interest paid on loans?)

Derived from Lampamt to give a weekly amount – (Lampamt – How much did you pay for the table lamps, excluding any interest paid on loans?)

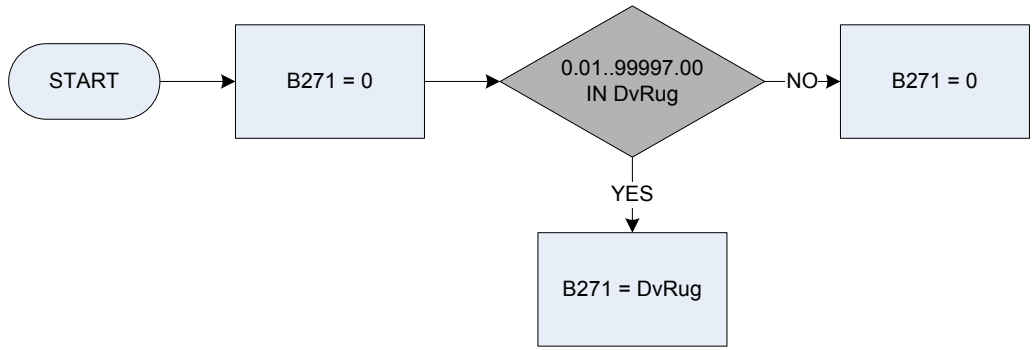
Derived from Offamt to give a weekly amount – (Offamt – How much did you pay for the home office furniture, excluding any interest paid on loans?)

Derived from Othfamt to give a weekly amount – (Othfamt – How much did you pay for the other furniture, excluding any interest paid on loans?)

Derived from Setamt to give a weekly amount – (Setamt – How much did you pay for the settees, armchairs or sofa beds, excluding any interest paid on loans?)

Derived from Waramt to give a weekly amount – (Waramt – How much did you pay for the wardrobes, dressing tables or other bedroom furniture, excluding any interest paid on loans?)

B271 – Soft floor coverings

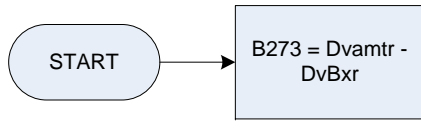


KEY

DvRug

Derived from RugAmt to give a weekly amount – (RugAmt – Carpets: In the last 3 months, what is the total the respondent paid for the item(s) excluding any interest paid on loans?) 540

B273 – Furniture removal/storage

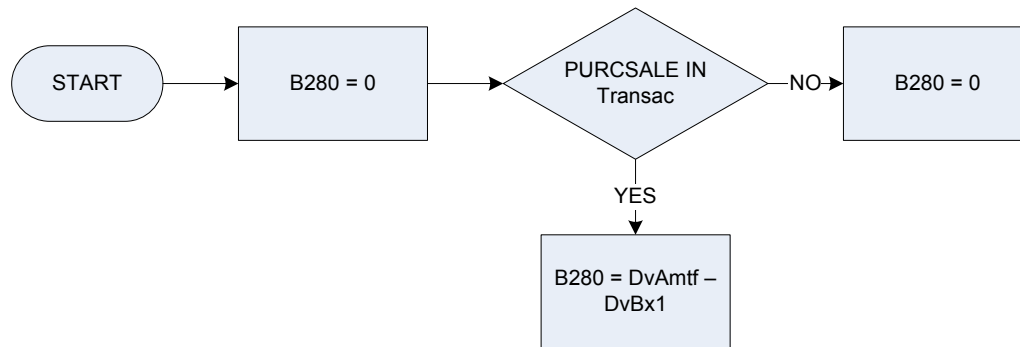


KEY

Dvamtr
DvBxr

Derived from He3Amt to give a weekly amount – (*He3Amt – Removal or storage of furniture: In the last 12 months, how much in total did the respondent pay, excluding any interest paid on loans?*)
Derived from He3Bam to give a weekly amount – (*He3Bam – Removal or storage of furniture: How much was/will be reclaimed as a business expense?*)

B280 – Property transaction – purchase and sale



KEY

DvAmtf

Derived from He2Amt to give a weekly amount – (*He2Amt – Moving House: In the last 12 months, how much in total did the respondent pay, excluding stamp duty, land registry fees, local authority search fees and any interest paid on loans?*)

DvBx1

Derived from He2Bam to give a weekly amount – (*He2Bam – Moving House: How much was/will be reclaimed?*)

Transac

For which of the property transactions on this card did the respondent pay?

PurcSale

Successfully completed purchase and sale

SaleOnly

Successfully completed sale only

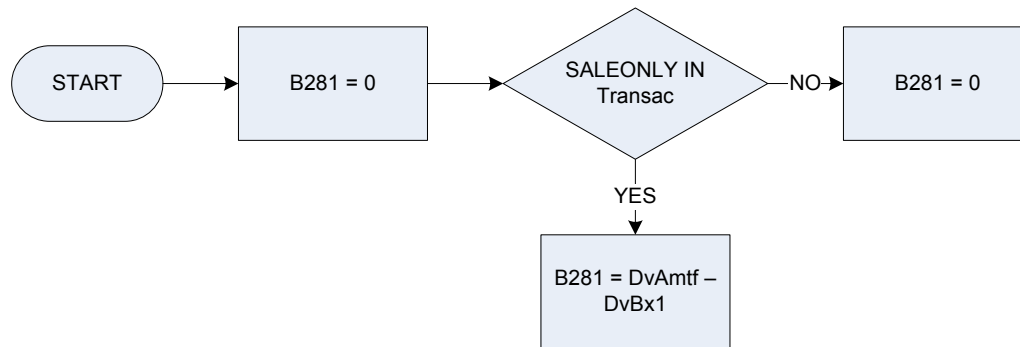
PurcOnly

Successfully completed purchase only

Other

Any other purpose such as re-mortgage, second mortgage, or an unsuccessful attempt to purchase or sell

B281 – Property transaction – sale only



KEY

DvAmtf

Derived from He2Amt to give a weekly amount – *(He2Amt – Moving House: In the last 12 months, how much in total did the respondent pay, excluding stamp duty, land registry fees, local authority search fees and any interest paid on loans?)*

DvBx1

Derived from He2Bam to give a weekly amount – *(He2Bam: How much was/will be reclaimed?)*

Transac

For which of the property transactions on this card did the respondent pay?

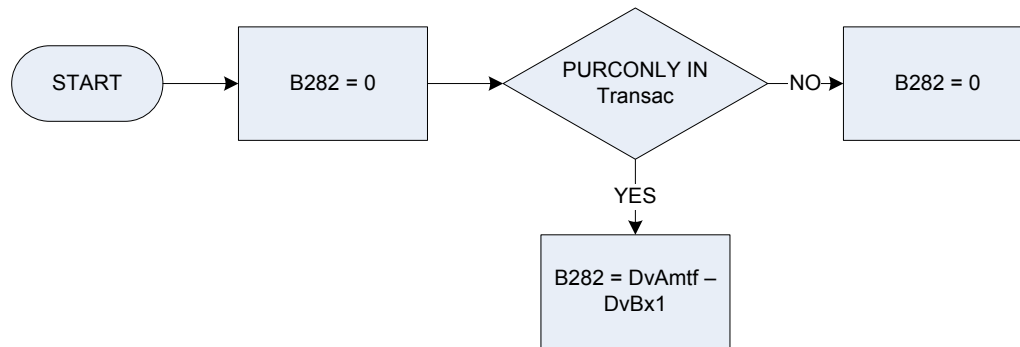
PurcSale Successfully completed purchase and sale

SaleOnly Successfully completed sale only

PurcOnly Successfully completed purchase only

Other Any other purpose such as re-mortgage, second mortgage, or an unsuccessful attempt to purchase or sell

B282 – Property transaction – purchase only



KEY

DvAmtf

Derived from He2Amt to give a weekly amount – *(He2Amt – Moving House: In the last 12 months, how much in total did the respondent pay, excluding stamp duty, land registry fees, local authority search fees and any interest paid on loans?)*

DvBx1

Derived from He2Bam to give a weekly amount – *(He2Bam: How much was/will be reclaimed?)*

Transac

For which of the property transactions on this card did the respondent pay?

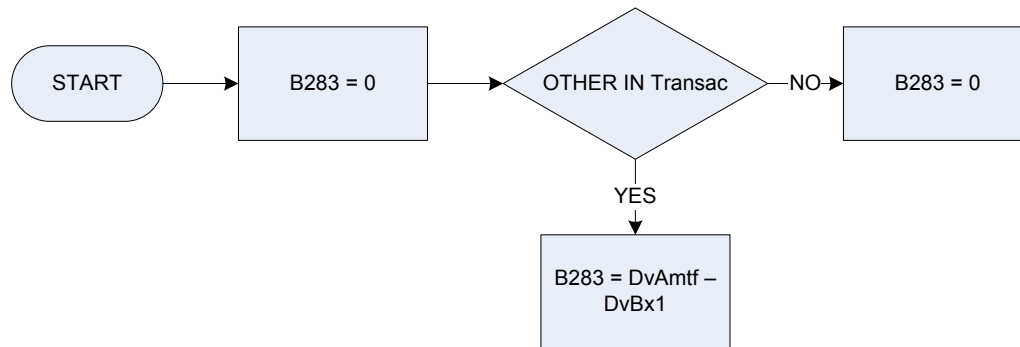
PurcSale Successfully completed purchase and sale

SaleOnly Successfully completed sale only

PurcOnly Successfully completed purchase only

Other Any other purpose such as re-mortgage, second mortgage, or an unsuccessful attempt to purchase or sell

B283 – Property transaction – other payments



KEY

DvAmtf

Derived from He2Amt to give a weekly amount – (He2Amt – Moving House: In the last 12 months, how much in total did the respondent pay, excluding stamp duty, land registry fees, local authority search fees and any interest paid on loans?)

DvBx1

Derived from He2Bam to give a weekly amount – (He2Bam: How much was/will be reclaimed?)

Transac

For which of the property transactions on this card did the respondent pay?

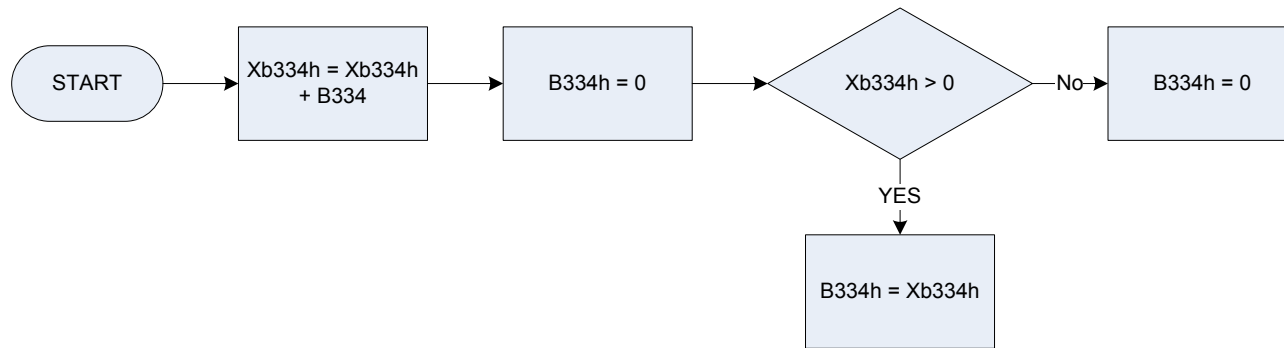
PurcSale Successfully completed purchase and sale

SaleOnly Successfully completed sale only

PurcOnly Successfully completed purchase only

Other Any other purpose such as re-mortgage, second mortgage, or an unsuccessful attempt to purchase or sell

B334h - Money sent abroad - household

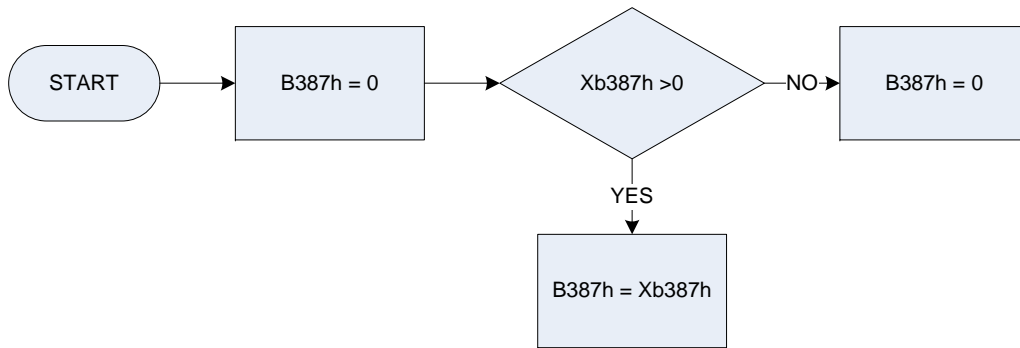


KEY

B334
Xb334h

Money sent abroad - amount (person level)
Temporary variable used in calculations – The sum of all money sent abroad by household members (B334)

B387h - Income tax paid direct - household

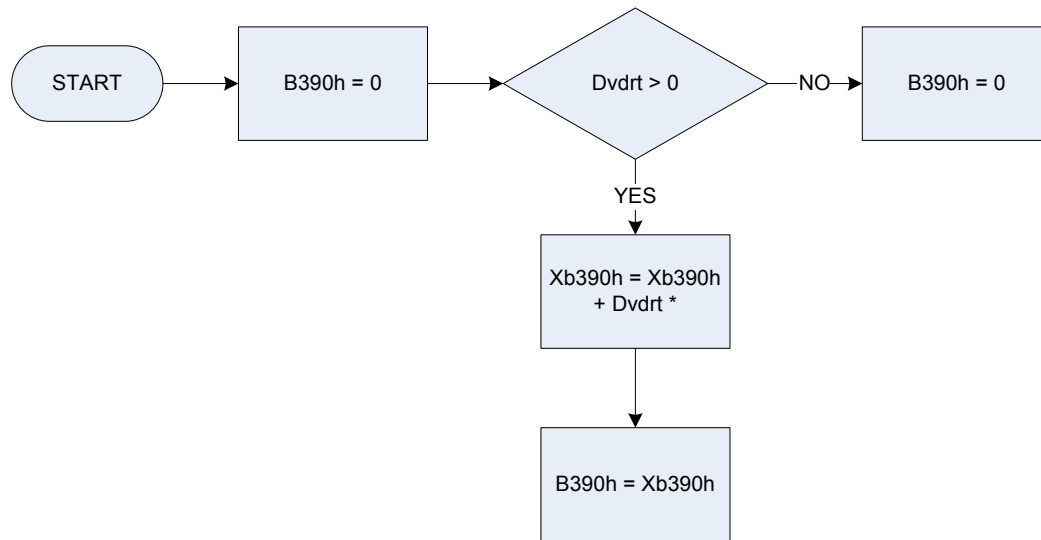


KEY

Xb387h

Temporary variable – The sum of all Income tax paid direct by household members (B387)

B390h - Income tax refund received - household

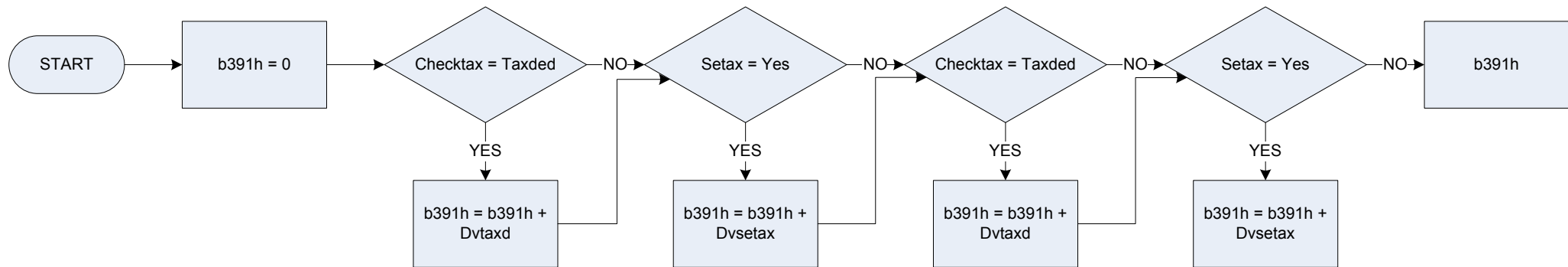


KEY

* If more than one respondent in the household received an Income tax refund then this will also be included in the total for Xb390h.

Dvdrtd Derived from DIRTXRAM to give a weekly average (DIRTXRAM- How much was refunded?)
Xb390h Temporary variable used in calculations -The sum of all income tax refunds received by household members (Dvdrtd)

b391h – Self-employed – tax paid last 12 months - household



KEY

Checktax

Check - was either income tax, or the respondent's regular National Insurance contribution deducted at source?

- 1 Income tax deducted
- 2 Regular NI deducted
- 3 No, neither deducted

Dvsetax

Derived from SeTaxAmt to give a weekly amount – (SeTaxAmt – Self Employment: How much did the respondent pay altogether in the last 12 months?)

Dvtaxd

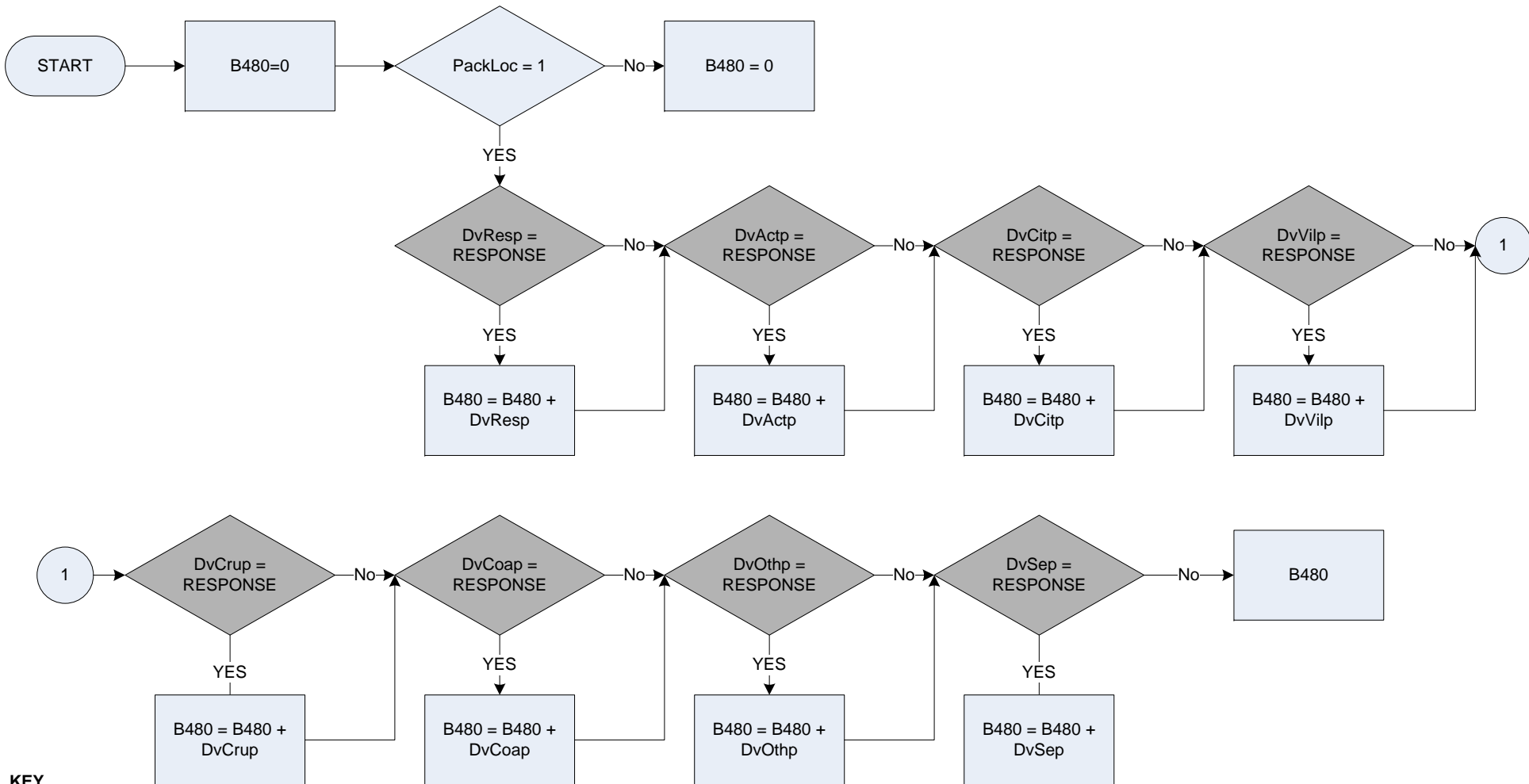
Derived from TaxDAmt to give a weekly amount – (TaxDAmt – Self Employment: How much income tax was deducted last time?)

Setax

(Apart from tax deducted at source) Has the respondent made any (other) income tax payments relating to this job/business in the last 12 months?

- 1 Yes
- 2 No

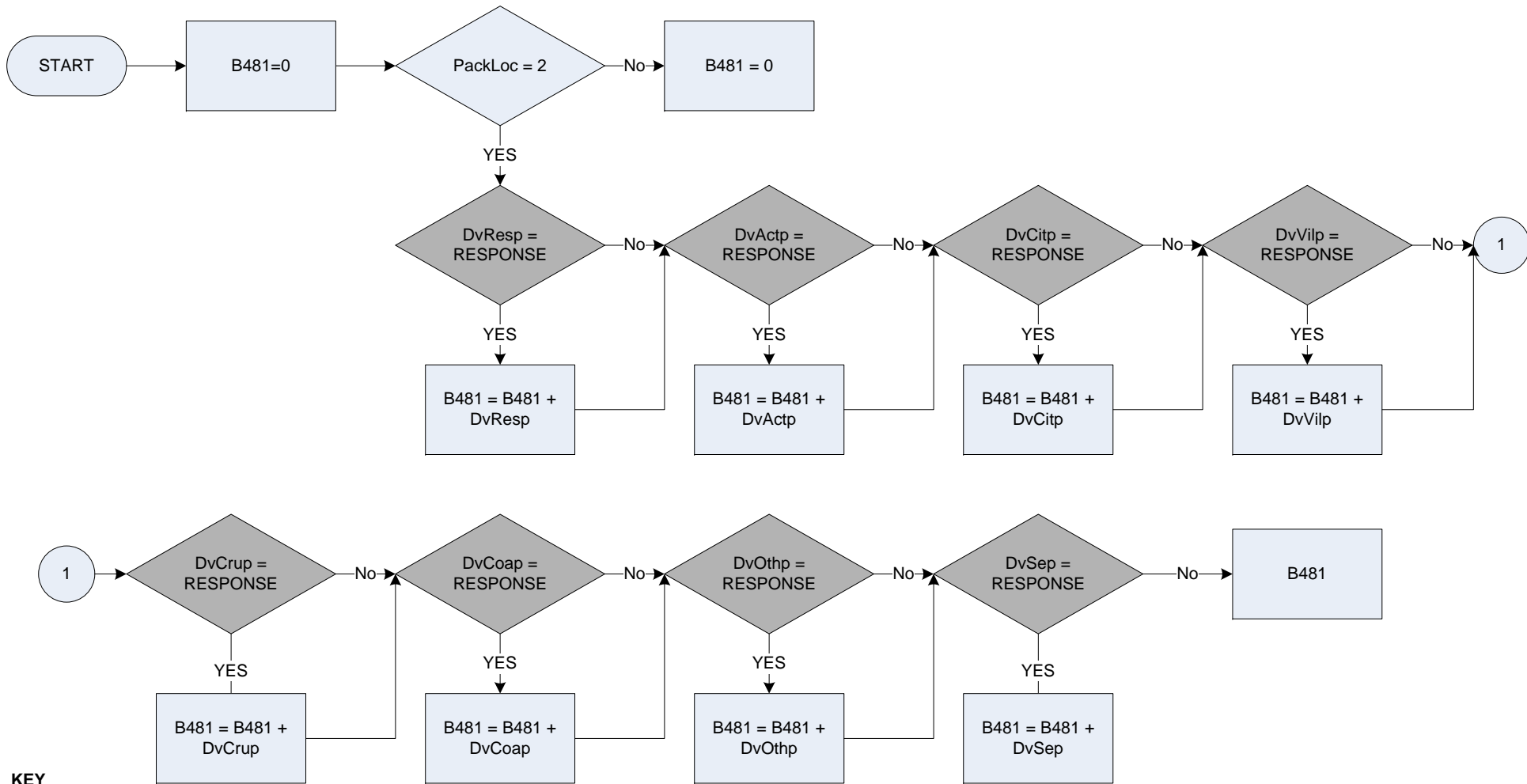
B480 – Holiday package within United Kingdom



KEY

- DvActp** Derived from PackAmt to give a weekly amount – (PackAmt – Activity package: In the last 3 months, how much did the respondent spend on the package only?)
- DvCitp** Derived from PackAmt to give a weekly amount – (PackAmt – City package: In the last 3 months, how much did the respondent spend on the package only?)
- DvCoap** Derived from PackAmt to give a weekly amount – (PackAmt – Coach package: In the last 3 months, how much did the respondent spend on the package only?)
- DvCrup** Derived from PackAmt to give a weekly amount – (PackAmt – Cruise package: In the last 3 months, how much did the respondent spend on the package only?)
- DvResp** Derived from PackAmt to give a weekly amount – (PackAmt – Resort package: In the last 3 months, how much did the respondent spend on the package only?)
- DvOthp** Derived from PackAmt to give a weekly amount – (PackAmt – Other package: In the last 3 months, how much did the respondent spend on the package only?)
- DvSep** Derived from SepInAm to give a weekly amount – (SepInAm – Separate holiday insurance premiums: How much did the respondent pay?)
- DvVilp** Derived from PackAmt to give a weekly amount – (PackAmt – Villa package: In the last 3 months, how much did the respondent spend on the package only?)
- PackLoc** In which country was (will) the holiday be taken?
 1 UK
 2 Other

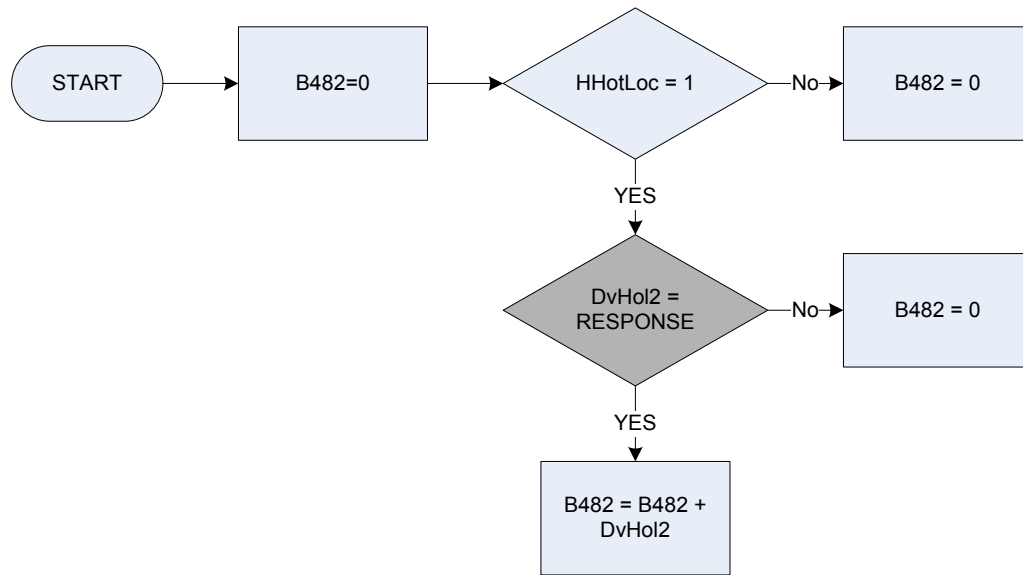
B481 – Holiday package outside United Kingdom



KEY

- DvActp** Derived from PackAmt to give a weekly amount – (PackAmt – Activity package: In the last 3 months, how much did the respondent spend on the package only?)
- DvCitp** Derived from PackAmt to give a weekly amount – (PackAmt – City package: In the last 3 months, how much did the respondent spend on the package only?)
- DvCoap** Derived from PackAmt to give a weekly amount – (PackAmt – Coach package: In the last 3 months, how much did the respondent spend on the package only?)
- DvCrup** Derived from PackAmt to give a weekly amount – (PackAmt – Cruise package: In the last 3 months, how much did the respondent spend on the package only?)
- DvResp** Derived from PackAmt to give a weekly amount – (PackAmt – Resort package: In the last 3 months, how much did the respondent spend on the package only?)
- DvOthp** Derived from PackAmt to give a weekly amount – (PackAmt – Other package: In the last 3 months, how much did the respondent spend on the package only?)
- DvSep** Derived from SepInAm to give a weekly amount – (SepInAm – Separate holiday insurance premiums: How much did the respondent pay?)
- DvVilp** Derived from PackAmt to give a weekly amount – (PackAmt – Villa package: In the last 3 months, how much did the respondent spend on the package only?)
- PackLoc** In which country was (will) the holiday be taken?
 1 UK
 2 Other

B482 – Holiday hotel within United Kingdom



KEY

HHotLoc

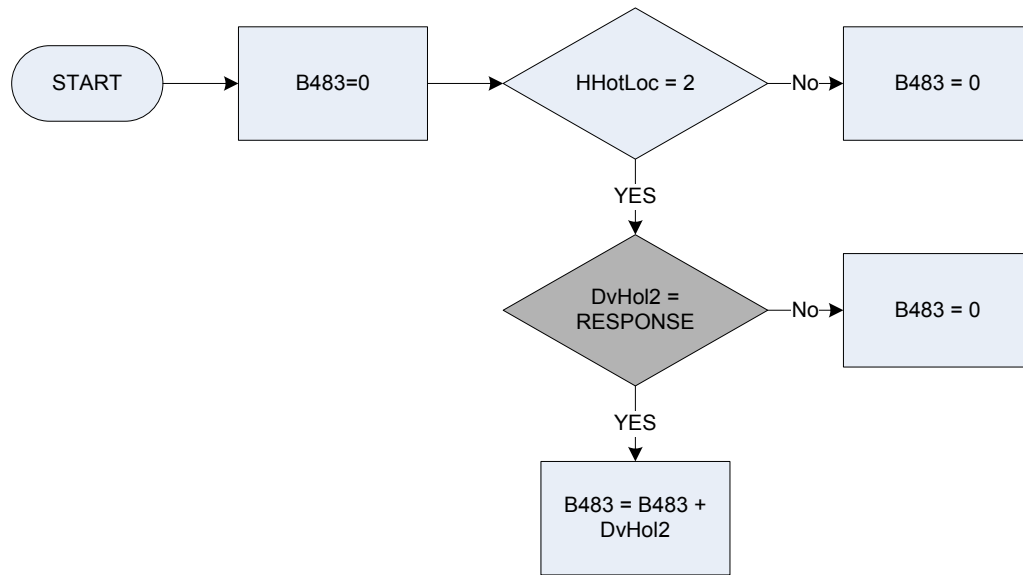
In which country was the holiday/will the holiday be taken?

- 1 UK
- 2 Other

DvHol2

Derived from HHotAmt to give a weekly amount – (HHotAmt – Hotel Holiday: In the last 3 months, how much in total did the respondent spend on accommodation only?)

B483 – Holiday hotel outside United Kingdom



KEY

HHotLoc

In which country was the holiday/will the holiday be taken?

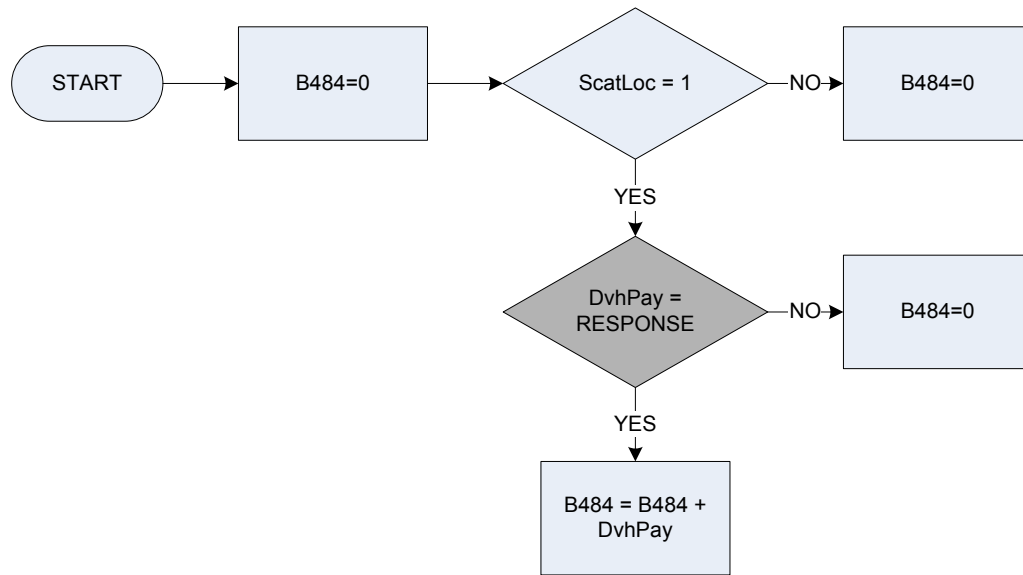
1 UK

2 Other

DvHol2

Derived from HHotAmt to give a weekly amount – (HHotAmt – Hotel Holiday: In the last 3 months, how much in total did the respondent spend on accommodation only?)

B484 – Holiday self-catering within United Kingdom



KEY

DvhPay

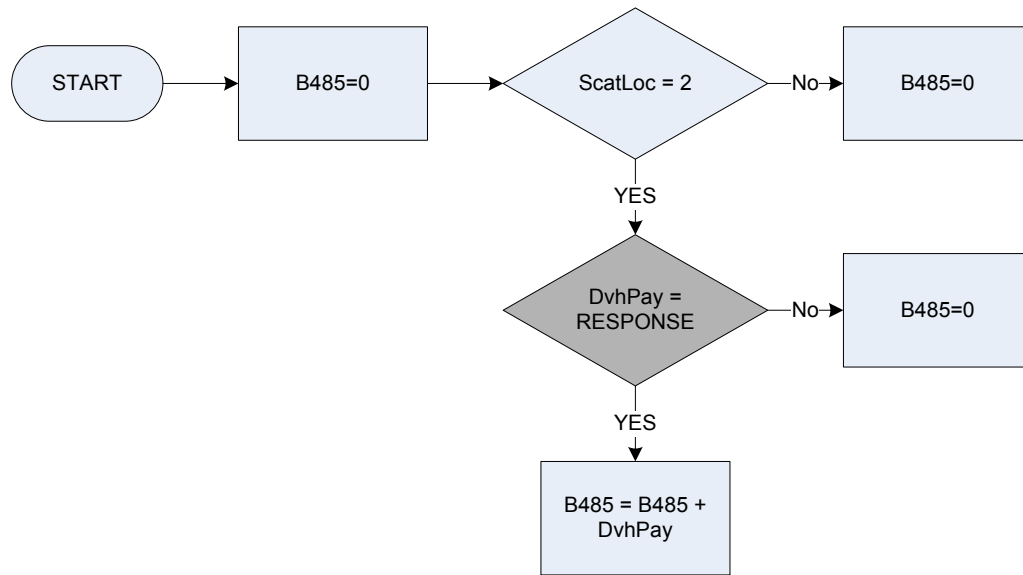
Derived from SCatAmt to give a weekly amount – (SCatAmt – Self Catering Holiday: In the last 3 months, how much did in total the respondent spend on accommodation only, including campsite fees and fees and hostel charges?)

ScatLoc

In which country was the holiday/will the holiday be taken?

- 1 UK
- 2 Other

B485 – Holiday self-catering outside United Kingdom



KEY

DvhPay

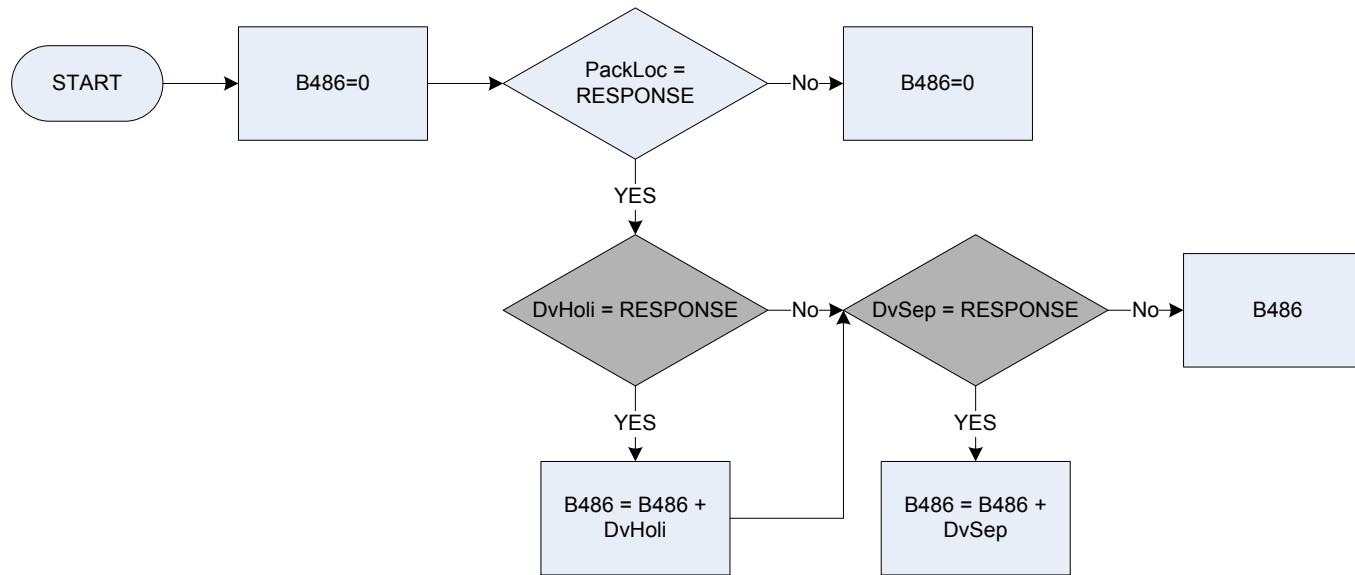
Derived from SCatAmt to give a weekly amount – (SCatAmt – Self Catering Holiday: In the last 3 months, how much in total did the respondent spend on ACCOMMODATION ONLY, including campsite fees and fees and hostel charges?)

ScatLoc

In which country was the holiday/will the holiday be taken?

- 1 UK
- 2 Other

B486 – Holiday insurance – expenditure

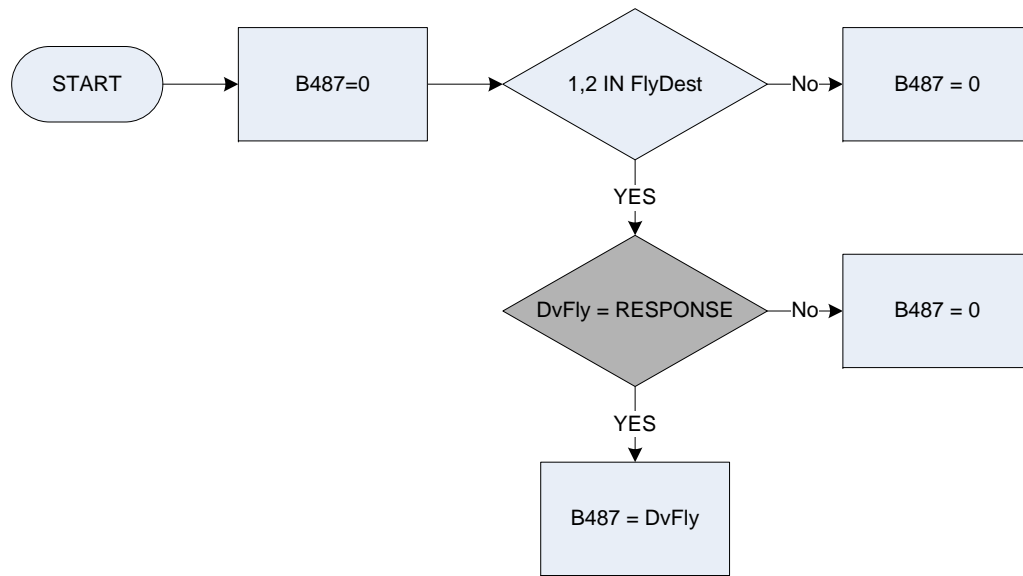


KEY

DvHoli
DvSep
PackLoc

Derived from HoliAmt to give a weekly amount – (HoliAmt – Package Holiday: How much did the respondent pay for their package holiday?)
 Derived from SepInAm to give a weekly amount – (SepInAm – Package Holiday: How much did the respondent pay for their separate holiday insurance in the last 3 months?)
 In which country was (will) the holiday be taken?

B487 – Domestic flight expenditure



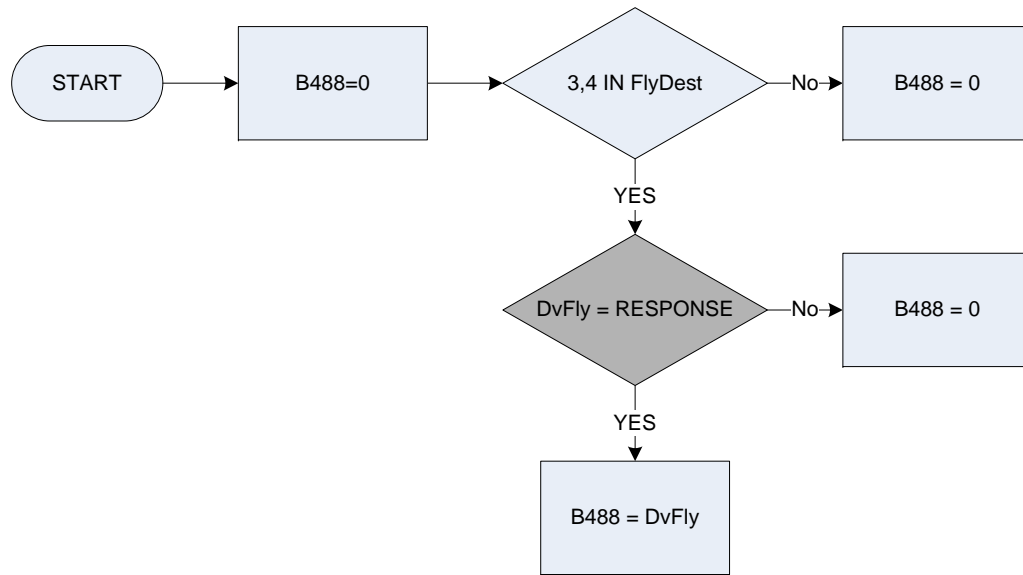
KEY

DvFly
FlyDest

Derived from FlyCost to give a weekly amount – (Flycost – Excluding discount from any air miles used, how much did the flights cost?)
Was this flight...

- 1 A domestic UK one way
- 2 A domestic UK return
- 3 A single/return from the UK to a country outside the UK
- 4 Any other flight?

B488 – International flight expenditure



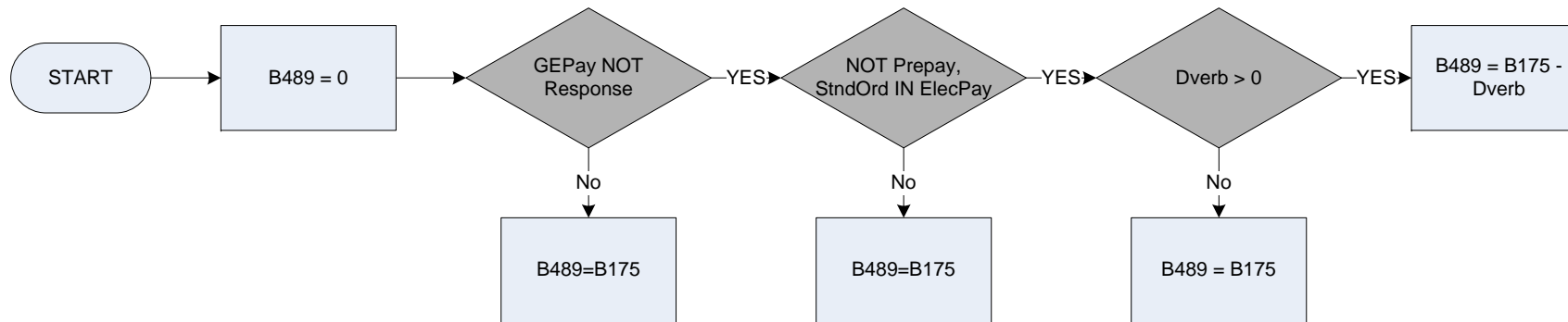
KEY

DvFly
FlyDest

Derived from FlyCost to give a weekly amount – (*Flycost – Excluding discount from any air miles used, how much did the flights cost?*)
Was this flight...

- 1 A domestic UK one way
- 2 A domestic UK return
- 3 A single/return from the UK to a country outside the UK
- 4 Any other flight?

B489 – Electricity – amount paid in last account, less rebates



KEY

B175

Electricity, amount paid in last account

Dverb

Derived from ERbtAmt to give a weekly amount (*ERbtAmt – Electricity: How much was the last rebate before any deductions for hire purchase or credit sale?*)

Elecpay

By which of these methods does the respondent pay for their electricity at this house/flat...

Ddbt Direct debit

Stndord Standing order

Qtrbill Monthly/quarterly bill

Prepay Pre-payment (keycard or token) meters

Inrent Included in rent

Freqpay Frequent cash payment method (i.e. more frequent than once a month)

Fueldir Fuel direct/direct from benefits

FxAnBil Fixed Annual Bill (however much gas/electricity is used) e.g. StayWarm

Othmeth Other (Please specify)

GEPay

By which of these methods does the respondent pay for their gas and electricity at this house/flat...

Ddbt Direct debit

Stndord Standing order

Qtrbill Monthly/quarterly bill

Prepay Pre-payment (keycard or token) meters

Inrent Included in rent

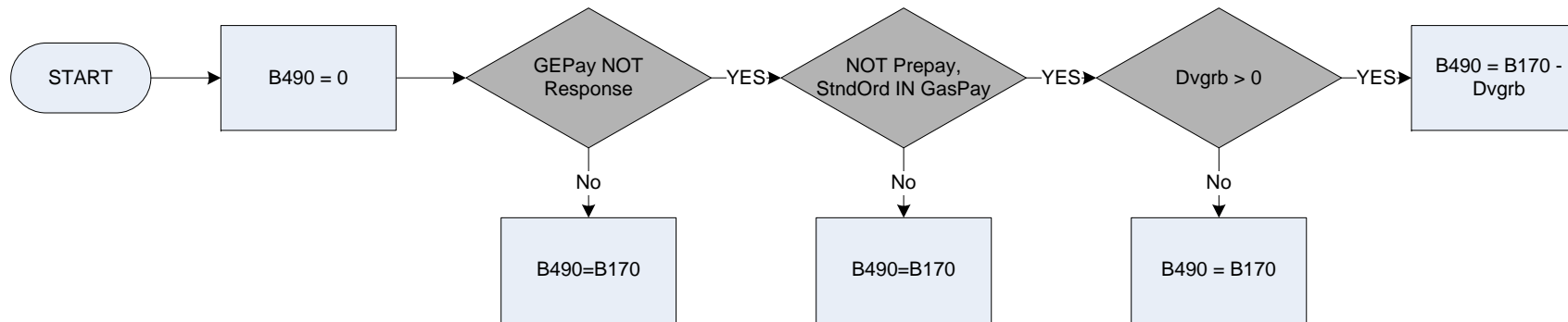
Freqpay Frequent cash payment method (i.e. more frequent than once a month)

Fueldir Fuel direct/direct from benefits

FxAnBil Fixed Annual Bill (however much gas/electricity is used) e.g. StayWarm

Othmeth Other (Please specify)

B490 – Gas – amount paid in last account, less rebates



KEY

B170

Gas, amount paid in last account

Dvgrb

Derived from GRbtAmt to give a weekly amount (*GRbtAmt – Gas: How much was the last rebate before any deductions for hire purchase or credit sale?*)

Gaspay

By which of these methods does the respondent pay for their gas at this house/flat...

Ddbt Direct debit

Stndord Standing order

Qtrbill Monthly/quarterly bill

Prepay Pre-payment (keycard or token) meters

Inrent Included in rent

Freqpay Frequent cash payment method (i.e. more frequent than once a month)

Fueldir Fuel direct/direct from benefits

FxAnBil Fixed Annual Bill (however much gas/electricity is used) e.g. StayWarm

Othmeth Other (Please specify)

GEPay

By which of these methods does the respondent pay for their gas and electricity at this house/flat...

Ddbt Direct debit

Stndord Standing order

Qtrbill Monthly/quarterly bill

Prepay Pre-payment (keycard or token) meters

Inrent Included in rent

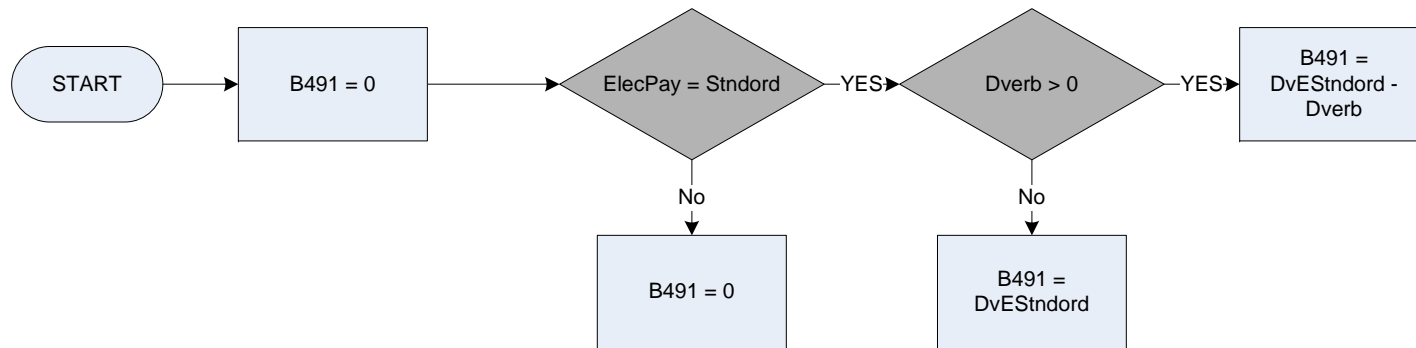
Freqpay Frequent cash payment method (i.e. more frequent than once a month)

Fueldir Fuel direct/direct from benefits

FxAnBil Fixed Annual Bill (however much gas/electricity is used) e.g. StayWarm

Othmeth Other (Please specify)

B491 – Electricity – amount paid by standing order, less rebates



KEY

Dverb
DvEStndord
ElecPay

Derived from ERbtAmt to give a weekly amount (*ERbtAmt – Electricity: How much was the last rebate before any deductions for hire purchase or credit sale?*)

Derived from EStndordAmt to give a weekly amount – (*EStndordAmt - Electricity: How much was the respondent's last standing order payment?*)

By which of these methods does the respondent pay for their electricity at this house/flat...

Ddbt Direct debit

Stndord Standing order

Qtrbill Monthly/quarterly bill

Prepay Pre-payment (keycard or token) meters

Inrent Included in rent

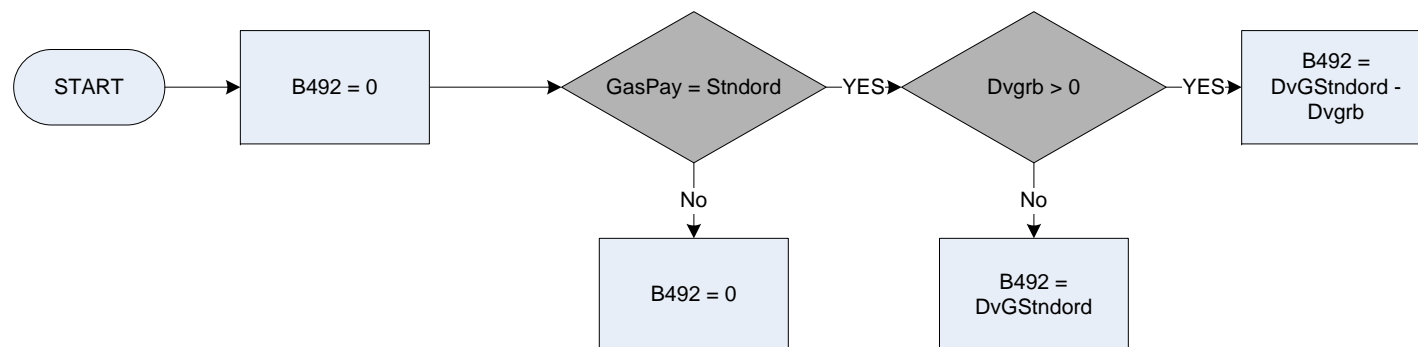
Freqpay Frequent cash payment method (i.e. more frequent than once a month)

Fueldir Fuel direct/direct from benefits

FxAnBil Fixed Annual Bill (however much gas/electricity is used) e.g. StayWarm

Othmeth Other (Please specify)

B492 – Gas – amount paid by standing order, less rebates



KEY

Dvgrb

DvGStndord

GasPay

Derived from GRbtAmt to give a weekly amount (*GRbtAmt – Gas: How much was the last rebate before any deductions for hire purchase or credit sale?*)

Derived from GStndordAmt to give a weekly amount – (*GStndordAmt - Gas: How much was the respondent's last standing order payment?*)

By which of these methods does the respondent pay for their gas at this house/flat...

Ddbt Direct debit

Stndord Standing order

Qtrbill Monthly/quarterly bill

Prepay Pre-payment (keycard or token) meters

Inrent Included in rent

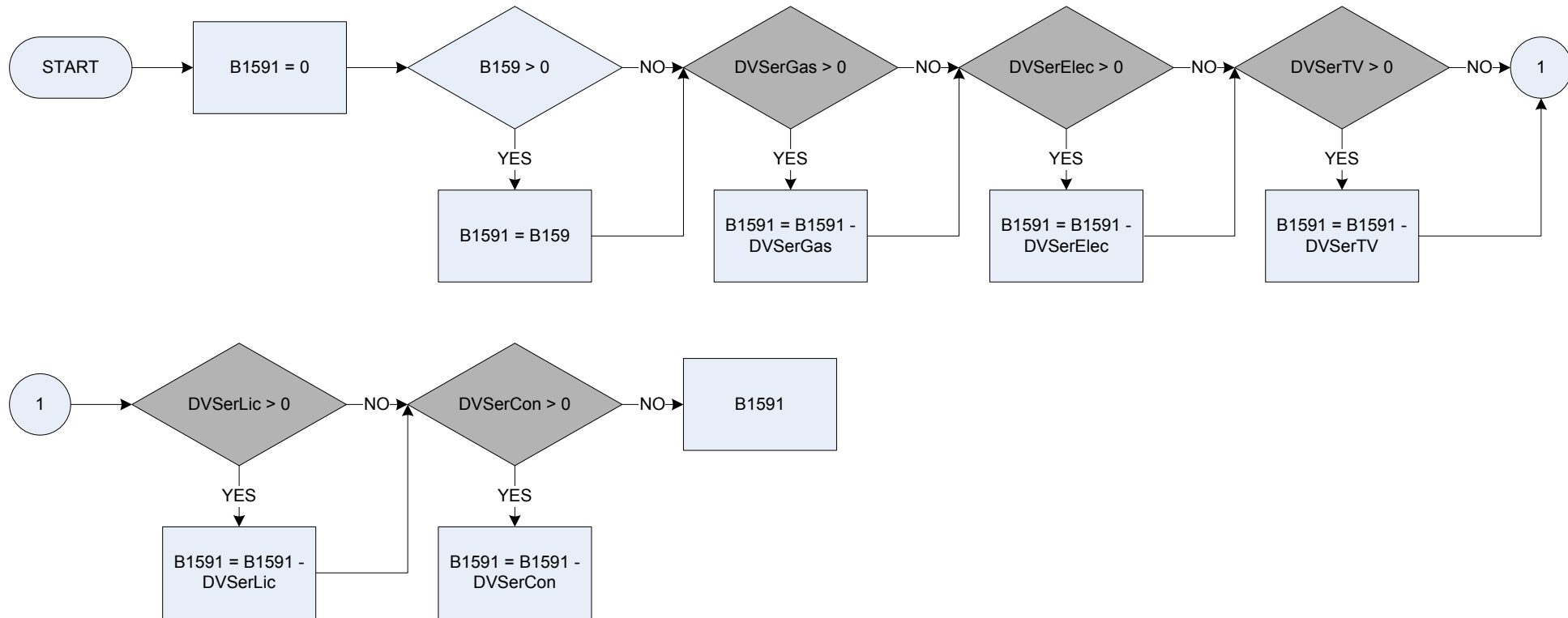
Freqpay Frequent cash payment method (i.e. more frequent than once a month)

Fueldir Fuel direct/direct from benefits

FxAnBil Fixed Annual Bill (however much gas/electricity is used) e.g. StayWarm

Othmeth Other (Please specify)

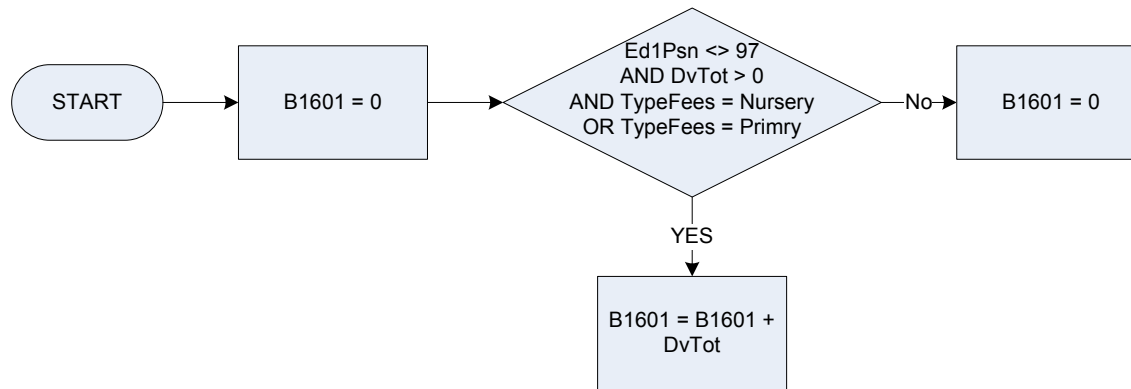
B1591 – Services in rent excluding gas, electricity, etc - amount



KEY

B159	Service charge included in rent – amount
DVSerCon	Derived from SerCon to give a weekly amount – (SerCon – Rent: estimate of amount for contents insurance)
DVSerElec	Derived from SerElec to give a weekly amount – (SerElec – Rent: estimate of amount for electric heating, cooking and lighting)
DVSerGas	Derived from SerGas to give a weekly amount – (SerGas – Rent: estimate of amount for gas heating and cooking)
DVSerLic	Derived from SerLic to give a weekly amount – (SerLic – Rent: estimate of amount for TV licence)
DVSerTV	Derived from SerTV to give a weekly amount - (SerTV – Rent: estimate of amount for TV/Video rental)

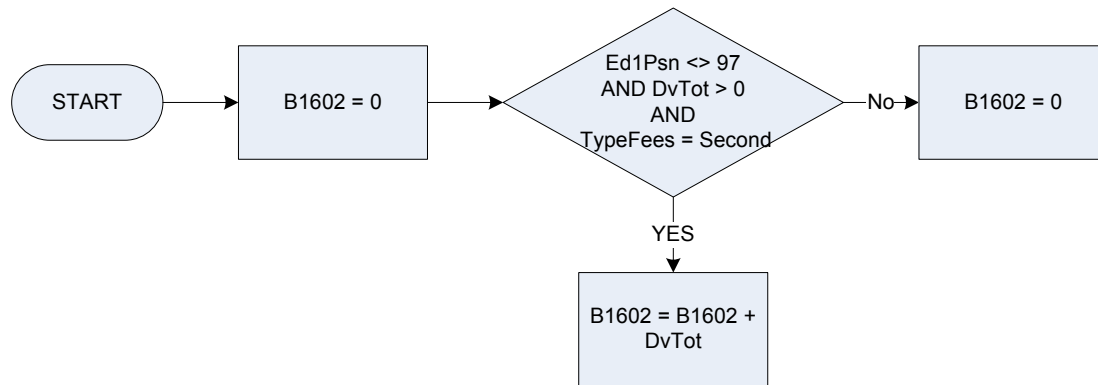
B1601 – Amount paid for nursery and primary education last quarter



KEY

DvTot	Derived from Ed1Amt to give a weekly amount – (<i>Ed1Amt – Education: What is the total amount paid in the last 3 months?</i>)
Ed1Psn	Education: Who is/was attending the course? (Code 97 for someone outside the household attending the course)
TypeFees	Were the fees/ maintenance etc for school, college, university or something else?
Nursery	<i>Nursery school attached to primary school</i>
Primry	<i>Primary school, incl reception class</i>
Second	<i>Secondary school</i>
College	<i>Sixth Form College/ College</i>
Uni	<i>University</i>
Other	<i>Other</i>

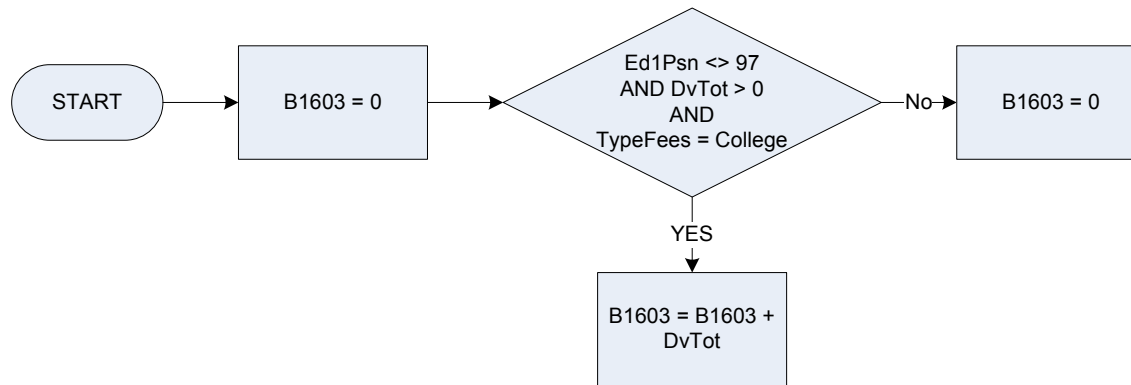
B1602 – Amount paid for secondary education last quarter



KEY

DvTot	Derived from Ed1Amt to give a weekly amount – (<i>Ed1Amt – Education: What is the total amount paid in the last 3 months?</i>)
Ed1Psn	Education: Who is/was attending the course? (Code 97 for someone outside the household attending the course)
TypeFees	Were the fees/ maintenance etc for school, college, university or something else?
Nursery	<i>Nursery school attached to primary school</i>
Primry	<i>Primary school, incl reception class</i>
Second	<i>Secondary school</i>
College	<i>Sixth Form College/ College</i>
Uni	<i>University</i>
Other	<i>Other</i>

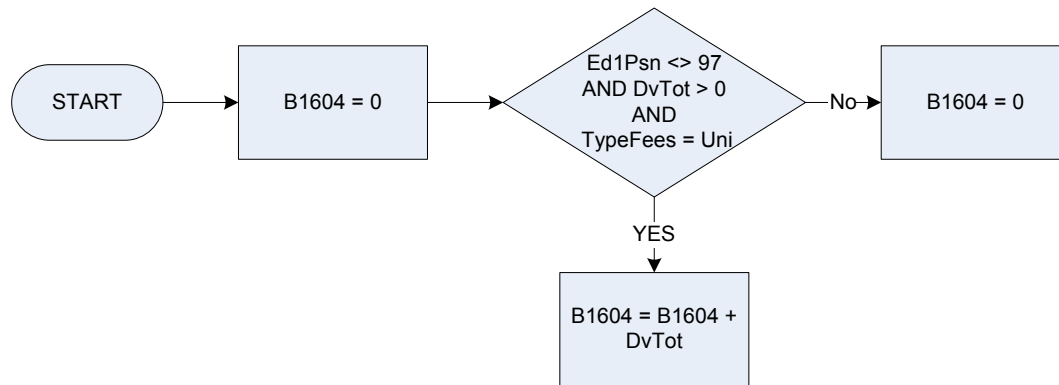
B1603 – Amount paid for sixth form college/coll education last quarter



KEY

DvTot	Derived from Ed1Amt to give a weekly amount – (Ed1Amt – Education: What is the total amount paid in the last 3 months?)
Ed1Psn	Education: Who is/was attending the course? (Code 97 for someone outside the household attending the course)
TypeFees	Were the fees/ maintenance etc for school, college, university or something else?
Nursery	<i>Nursery school attached to primary school</i>
Primry	<i>Primary school, incl reception class</i>
Second	<i>Secondary school</i>
College	<i>Sixth Form College/ College</i>
Uni	<i>University</i>
Other	<i>Other</i>

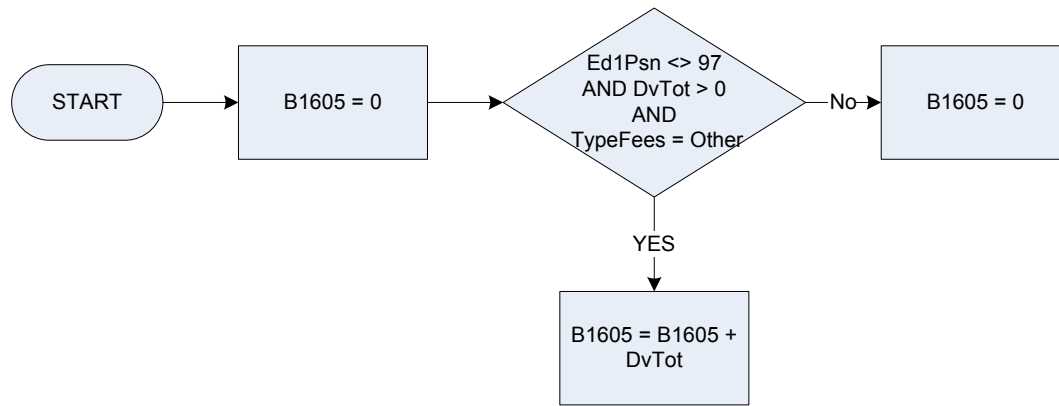
B1604 – Amount paid for university education last quarter



KEY

DvTot	Derived from Ed1Amt to give a weekly amount – (<i>Ed1Amt – Education: What is the total amount paid in the last 3 months?</i>)
Ed1Psn	Education: Who is/was attending the course? (Code 97 for someone outside the household attending the course)
TypeFees	Were the fees/ maintenance etc for school, college, university or something else?
Nursery	<i>Nursery school attached to primary school</i>
Primry	<i>Primary school, incl reception class</i>
Second	<i>Secondary school</i>
College	<i>Sixth Form College/ College</i>
Uni	<i>University</i>
Other	<i>Other</i>

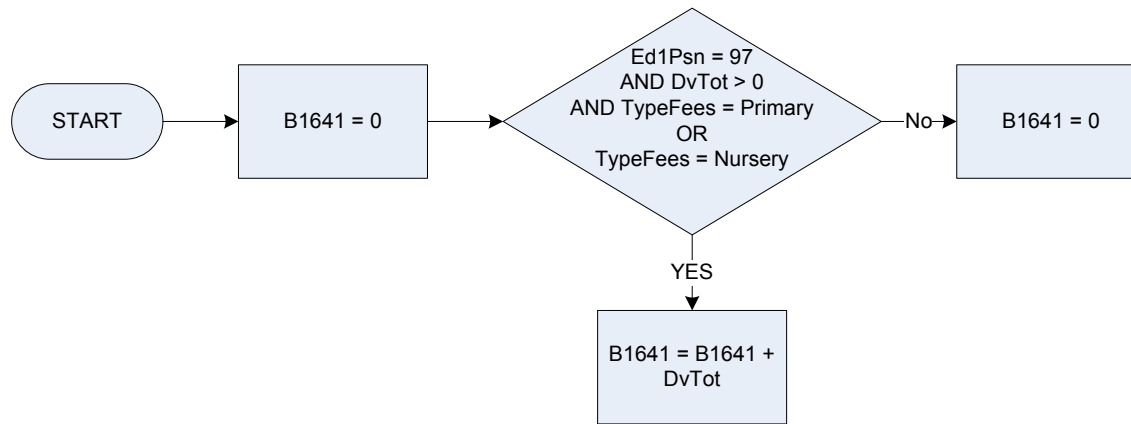
B1605 – Amount paid for other education last quarter



KEY

DvTot	Derived from Ed1Amt to give a weekly amount – (<i>Ed1Amt – Education: What is the total amount paid in the last 3 months?</i>)
Ed1Psn	Education: Who is/was attending the course? (Code 97 for someone outside the household attending the course)
TypeFees	Were the fees/ maintenance etc for school, college, university or something else?
Nursery	<i>Nursery school attached to primary school</i>
Primry	<i>Primary school, incl reception class</i>
Second	<i>Secondary school</i>
College	<i>Sixth Form College/ College</i>
Uni	<i>University</i>
Other	<i>Other</i>

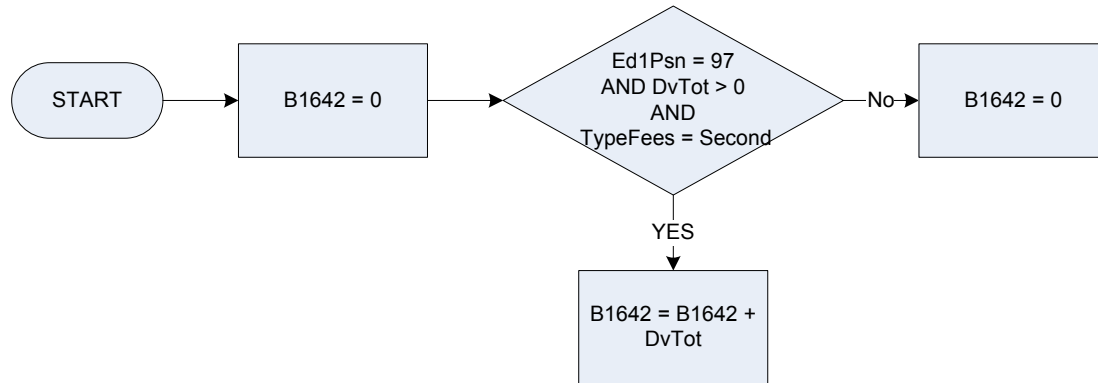
B1641 – Members outside household – educ fees on nursery & primary last quarter



KEY

DvTot	Derived from Ed1Amt to give a weekly amount – (Ed1Amt – Education: What is the total amount paid in the last 3 months?)
Ed1Psn	Education: Who is/was attending the course? (Code 97 for someone outside the household attending the course)
TypeFees	Were the fees/ maintenance etc for school, college, university or something else?
Nursery	<i>Nursery school attached to primary school</i>
Primry	<i>Primary school, incl reception class</i>
Second	<i>Secondary school</i>
College	<i>Sixth Form College/ College</i>
Uni	<i>University</i>
Other	<i>Other</i>

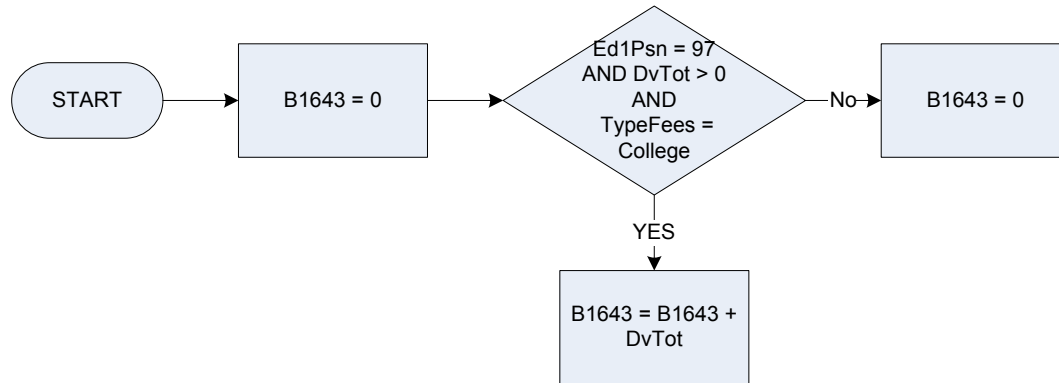
B1642 – Members outside household – educ fees on secondary last quarter



KEY

DvTot	Derived from Ed1Amt to give a weekly amount – (<i>Ed1Amt – Education: What is the total amount paid in the last 3 months?</i>)
Ed1Psn	Education: Who is/was attending the course? (Code 97 for someone outside the household attending the course)
TypeFees	Were the fees/ maintenance etc for school, college, university or something else?
Nursery	<i>Nursery school attached to primary school"</i>
Primry	<i>Primary school, incl reception class</i>
Second	<i>Secondary school</i>
College	<i>Sixth Form College/ College</i>
Uni	<i>University</i>
Other	<i>Other</i>

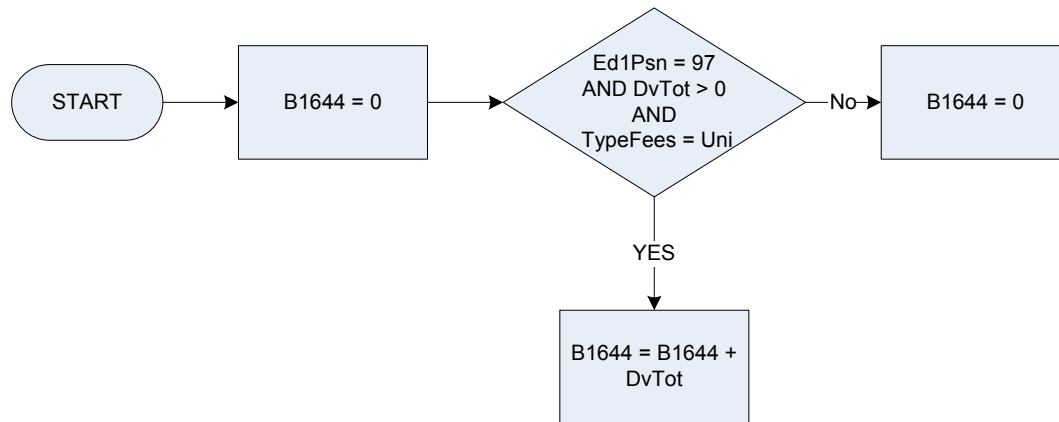
B1643 – Members outside household – educ fees on 6th form college/college last quarter



KEY

- DvTot** Derived from Ed1Amt to give a weekly amount – (*Ed1Amt – Education: What is the total amount paid in the last 3 months?*)
- Ed1Psn** Education: Who is/was attending the course? (Code 97 for someone outside the household attending the course)
- TypeFees** Were the fees/ maintenance etc for school, college, university or something else?
- Nursery** Nursery school attached to primary school
- Primry** Primary school, incl reception class
- Second** Secondary school
- College** Sixth Form College/ College
- Uni** University
- Other** Other

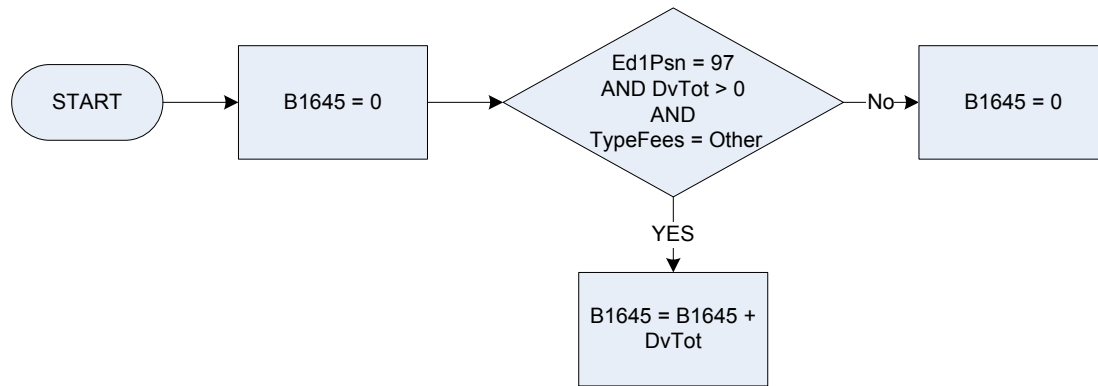
B1644 – Members outside household – educ fees on university last quarter



KEY

DvTot	Derived from Ed1Amt to give a weekly amount – (<i>Ed1Amt – Education: What is the total amount paid in the last 3 months?</i>)
Ed1Psn	Education: Who is/was attending the course? (Code 97 for someone outside the household attending the course)
TypeFees	Were the fees/ maintenance etc for school, college, university or something else?
Nursery	<i>Nursery school attached to primary school</i>
Primry	<i>Primary school, incl reception class</i>
Second	<i>Secondary school</i>
College	<i>Sixth Form College/ College</i>
Uni	<i>University</i>
Other	<i>Other</i>

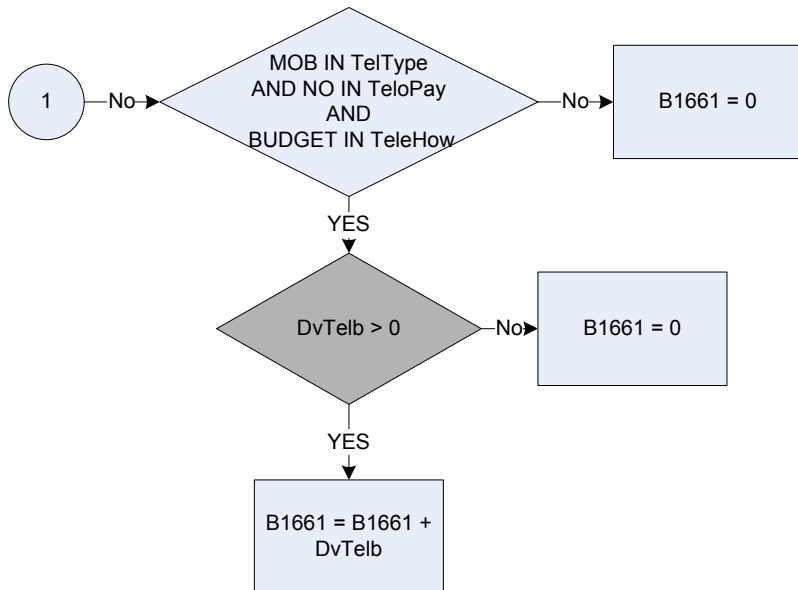
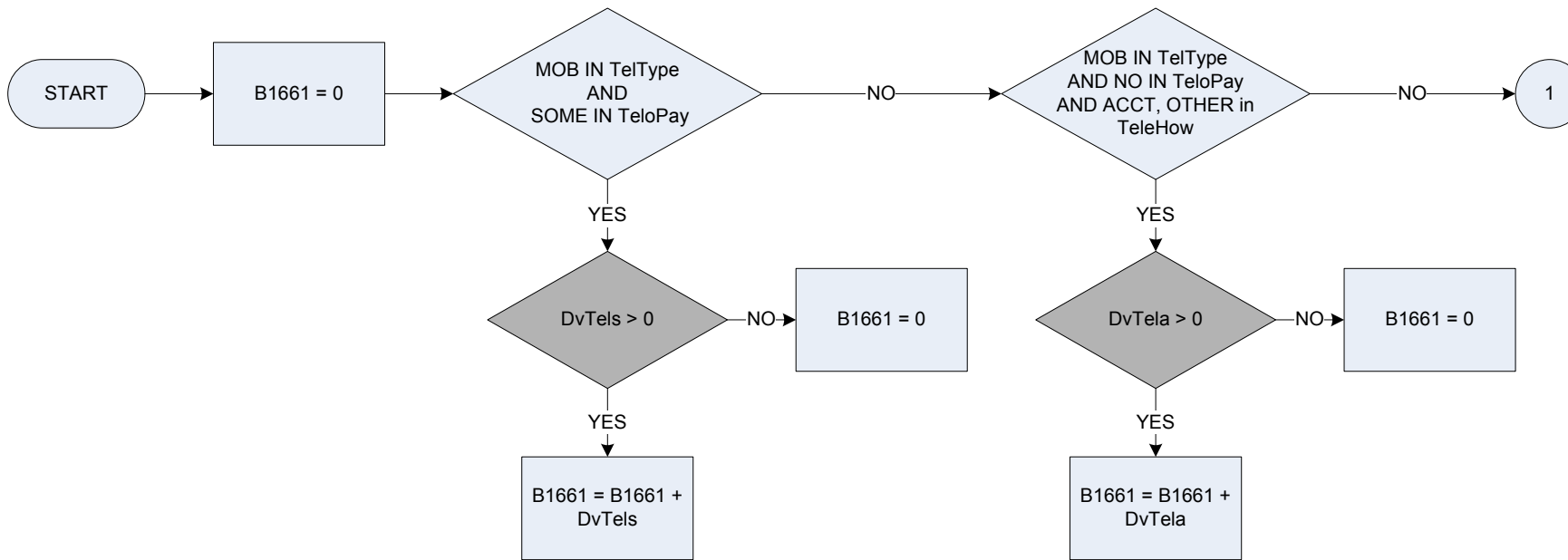
B1645 – Members outside household – education fees on other education last quarter



KEY

- DvTot** Derived from Ed1Amt to give a weekly amount – (*Ed1Amt – Education: What is the total amount paid in the last 3 months?*)
- Ed1Psn** Education: Who is/was attending the course? (Code 97 for someone outside the household attending the course)
- TypeFees** Were the fees/ maintenance etc for school, college, university or something else?
- Nursery** *Nursery school attached to primary school*
 - Primry** *Primary school, incl reception class*
 - Second** *Secondary school*
 - College** *Sixth Form College/ College*
 - Uni** *University*
 - Other** *Other*

B1661 – Mobile telephone account



KEY

DvTela

Derived from TelAcAmt to give a weekly amount – (TelAcAmt – Telephone: How much did the respondent pay last time?)

DvTelb

Derived from TelBgAmt to give a weekly amount – (TelBgAmt – Telephone: How much did the respondent pay last time?)

DvTels

Derived from TelShAmt to give a weekly amount – (TelShAmt – Telephone: How much was the respondent's share of the bill?)

TeleHow

By which method does the respondent pay?

Acct account

Budget budgeting scheme

Other some other method?

TeloPay

Did anyone outside the household, other than their employer, give the respondent money for?

All all

Some some of the account

No Spontaneous - No to both

TelType

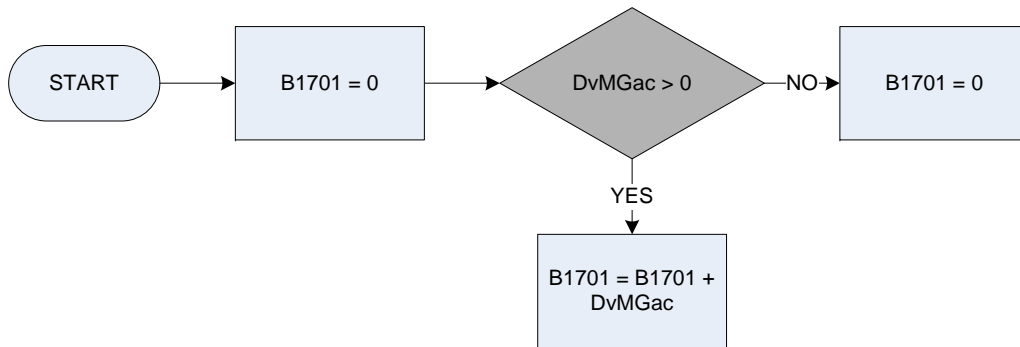
What is the type of phone service?

Merc BT/Mercury landline

Mob Mobile phone

Cab Cable phone

B1701 – Gas (separate) meter payment

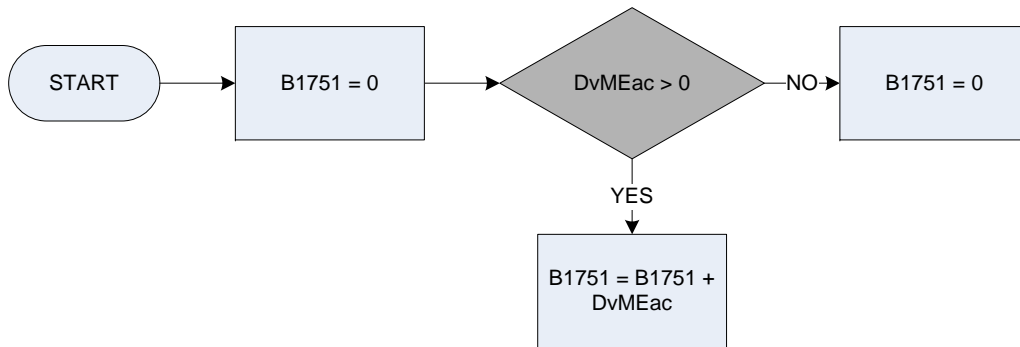


KEY

DvMGac

Derived from GasMeter to give a weekly amount – (*GasMeter – Gas: How much money did you last put on your key/meter?*)

B1751 – Electricity (separate) meter payment

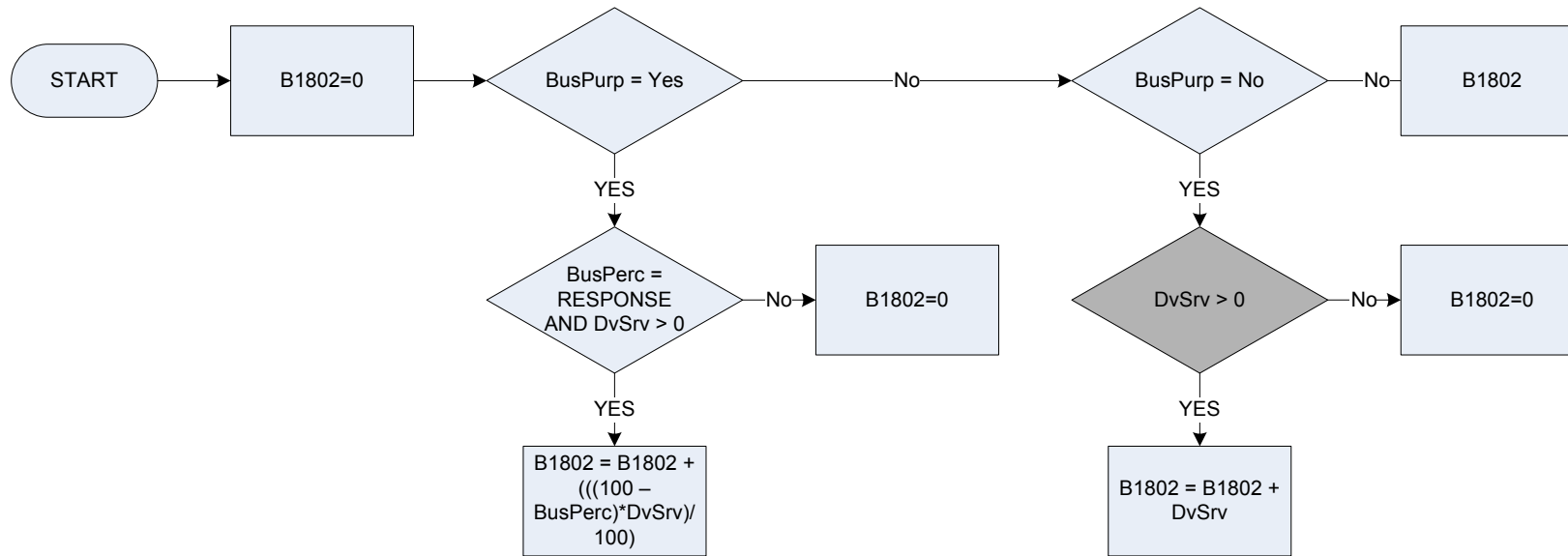


KEY

DvMEac

Derived from ElecMeter to give a weekly amount – (*ElecMeter – Electricity: How much money did you last put on your key/meter?*)

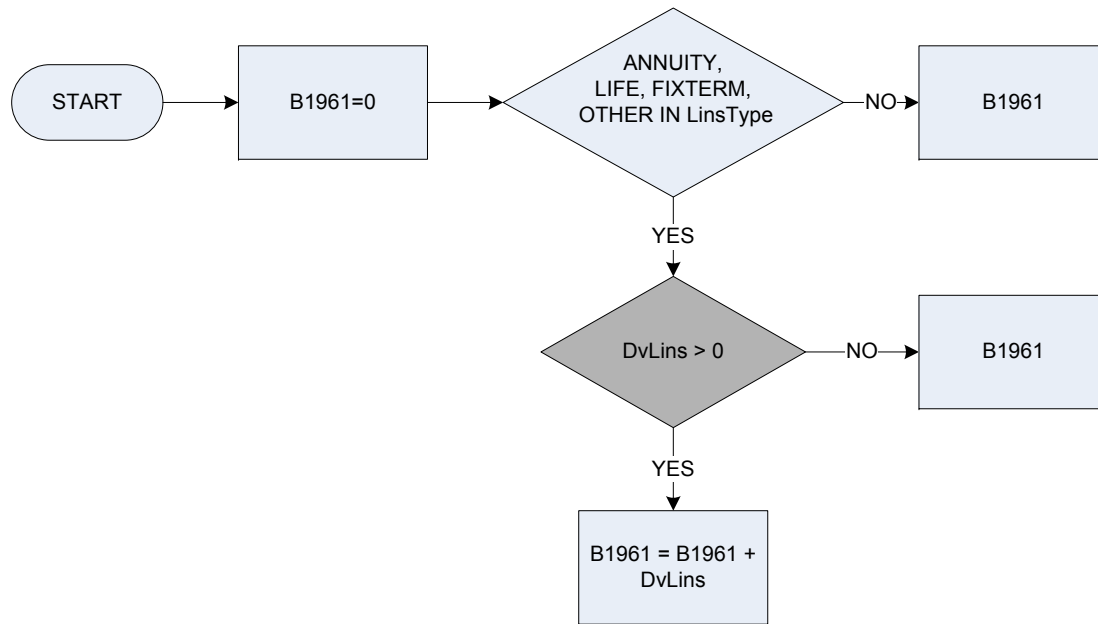
B1802 – Bank & Building societies charges – net amount last 3 mnths



KEY

BusPerc How much was for business?
BusPurp Was any of this amount for business purposes?
DvSrv Derived from SrvChgAm to give a weekly amount – (SrvChgAm – Bank: How much did the respondent pay excluding interest, in the last 3 months?)

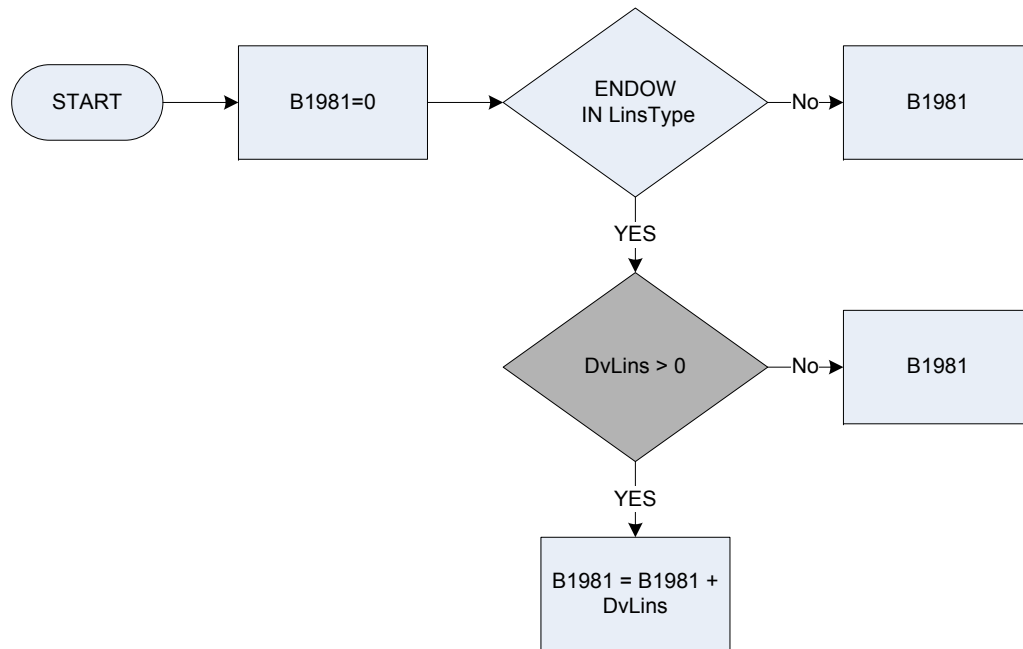
B1961 – Life insurance – amount premium



KEY

DvLins	Derived from LinsAmt to give a weekly amount – (<i>LinsAmt – Life Insurance: How much was the last payment?</i>)
LinsType	What type of policy is this?
Annuity	<i>Annuity</i>
Endow	<i>Endowment (including endowment savings plan)</i>
Life	<i>Life (excluding fixed term) or death</i>
Fixterm	<i>Fixed term life (including retirement policy, capital accumulation plan)</i>
Other	<i>Other</i>

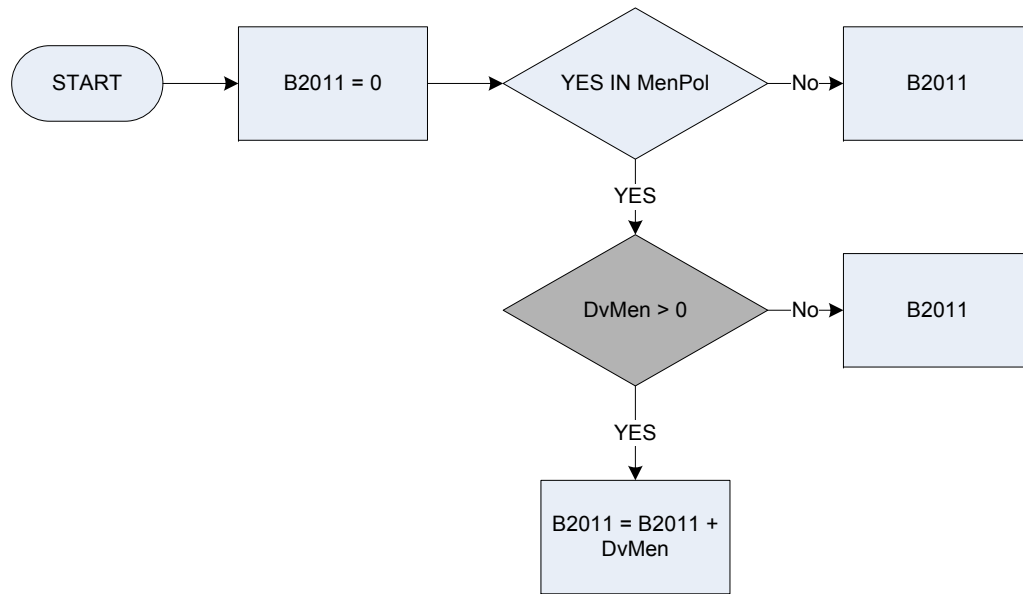
B1981 – Endowment policies – amount premium



KEY

DvLins	Derived from LinsAmt to give a weekly amount – (<i>LinsAmt – Life Insurance: How much was the last payment?</i>)
LinsType	What type of policy is this?
Annuity	<i>Annuity</i>
Endow	<i>Endowment (including endowment savings plan)</i>
Life	<i>Life (excluding fixed term) or death</i>
Fixterm	<i>Fixed term life (including retirement policy, capital accumulation plan)</i>
Other	<i>Other</i>

B2011 – Mortgage endowment policy – amount premium



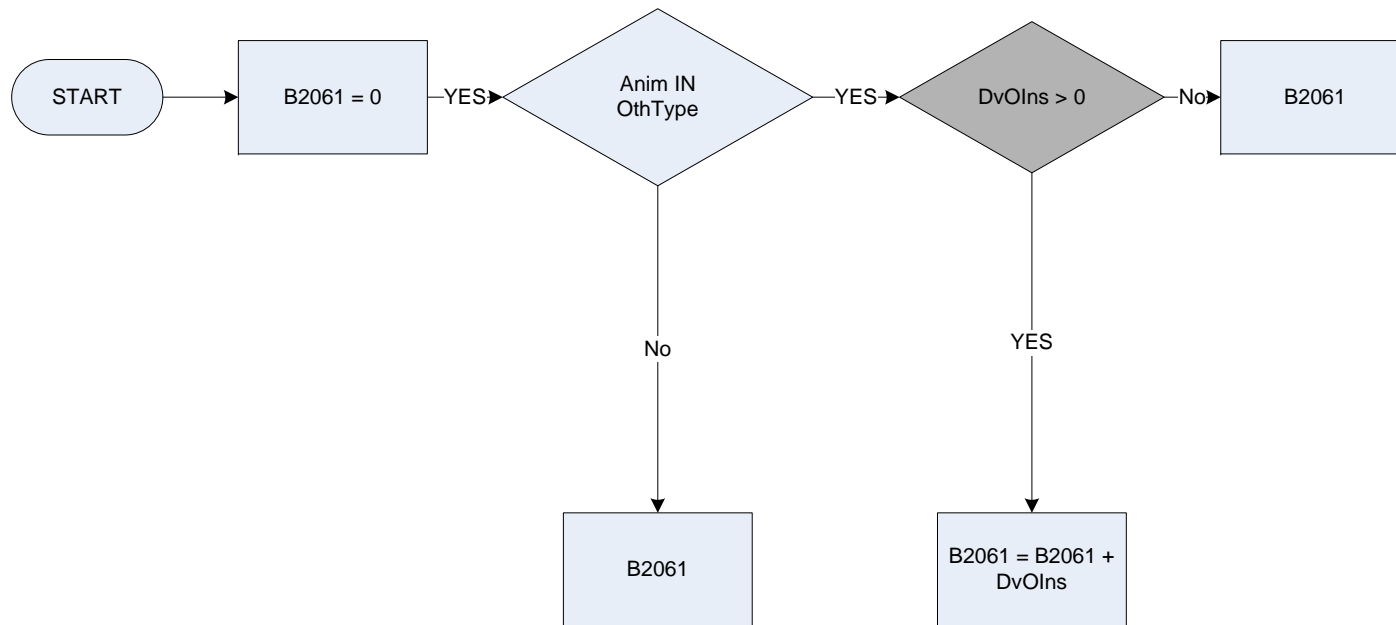
KEY

DvMen
MenPol

Derived from Menpolam to give a weekly amount – (*Menpolam – Mortgage: How much was the respondent's last payment on the endowment policies/pension plan/PEP/unit trust/ISA?*)
Are there any endowment policies/pension plan/PEP/unit trust/ISA covering the repayment of this mortgage or loan?

1 Yes
2 No

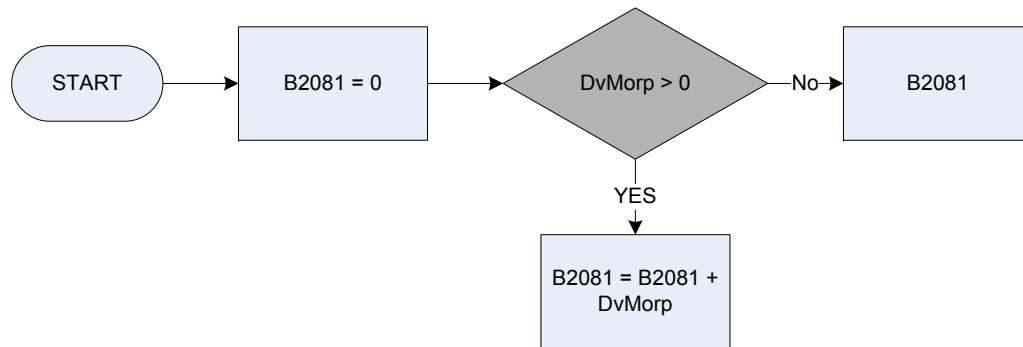
B2061 – Pet insurance – total amount premium



KEY

- DvOIns** Derived from OthAmt to give a weekly amount – (OthAmt – Other Insurance: How much was the last payment?)
OthType What type of insurance policy is this?
- Unemp** Unemployment insurance
 - Redun** Redundancy insurance
 - Credit** Credit card protection insurance
 - Ident** Identity fraud
 - Anim** Animal/pet insurance
 - Home** Home emergency insurance
 - Other** Other (please specify)

B2081 – Mortgage protection – amount premium

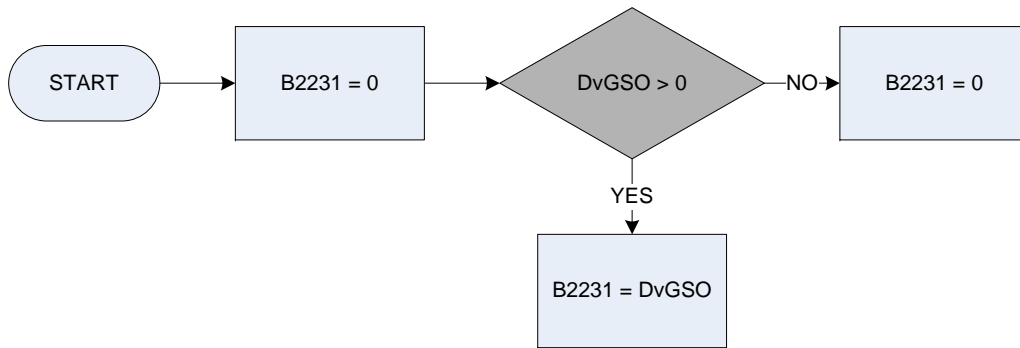


KEY

DvMorp Derived from MortProt to give a weekly amount – (*MortProt – Mortgage: Does the respondent have a mortgage protection policy to repay this mortgage in the event of sickness/accident, redundancy or death?*)

- 1 Yes
- 2 No

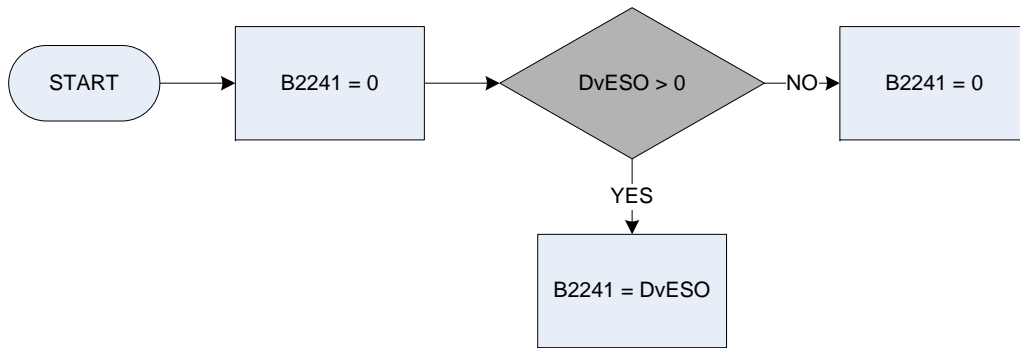
B2231 – Gas – standing order (combined account) - amount



KEY

DvGSO Derived from CgasSOAmt to give a weekly amount – (CGasSOAmt – Gas/electricity: How much of the total combined amount did you pay for gas?)

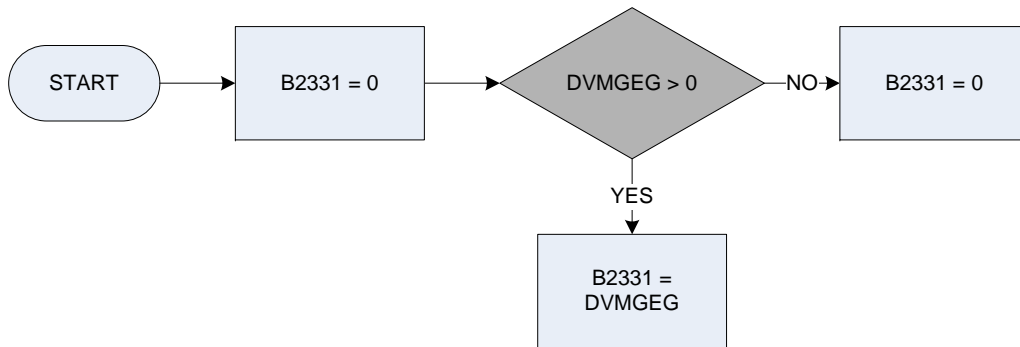
B2241 – Electricity – standing order (combined account) - amount



KEY

DvESO Derived from CEIcSOAmt to give a weekly amount – *(CEIcSOAmt – Gas/electricity: How much of the total combined amount did you pay for electricity?)*

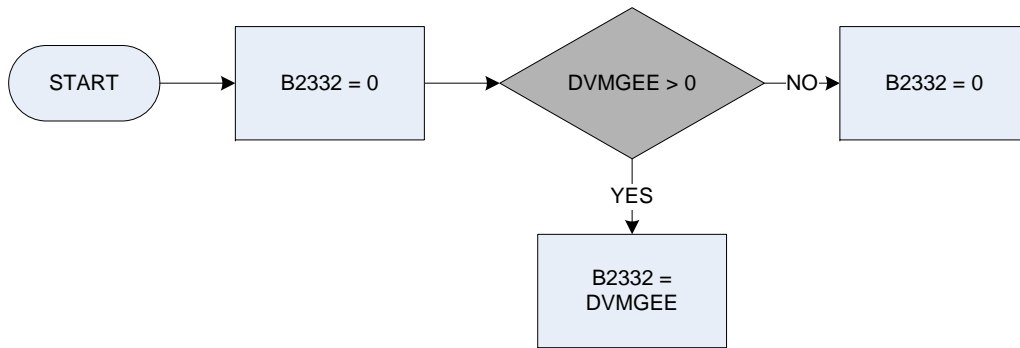
B2331 – Gas (combined account) pre-payment meter – amount



KEY

DVMGEG Derived from GEMeter to give a weekly amount for gas component – (*GEMeter – Gas/electricity: How much money did you last put on your key/meter?*)

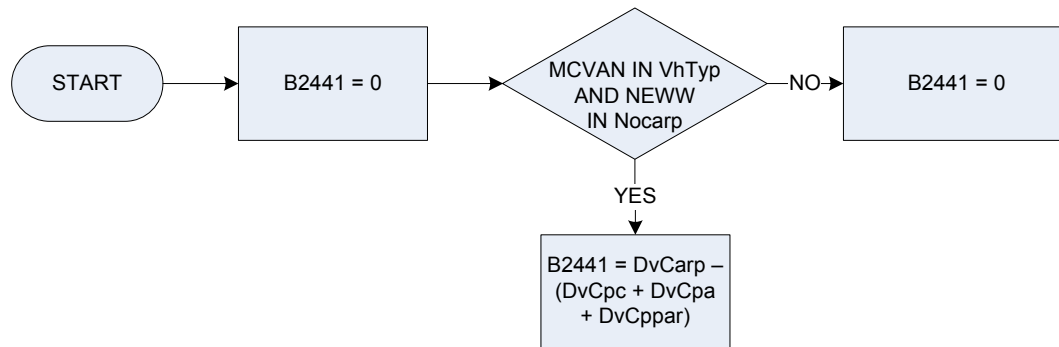
B2332 – Electricity (combined account) pre-payment meter – amount



KEY

DVMGEE Derived from GEMeter to give a weekly amount for electricity component – (*GEMeter – Gas/electricity: How much money did you last put on your key/meter?*)

B2441 – Vehicle cost of new motor caravan outright



KEY

DvCarp	Derived from Carpamt to give a weekly amount – (<i>Carpamt – Vehicles: How much was the cash price of this vehicle, BEFORE taking off any part exchange or trade-in?</i>)
DVCpa	Derived from Cpinsamt to give a weekly amount – (<i>Cpinsamt – Vehicles: How much was included for vehicle insurance? </i>)
DvCpc	Derived from Cpparamt to give a weekly amount – (<i>Cpparamt – Vehicles: How much was allowed for road tax?</i>)
DvCppar	Derived from Cpparamt to give a weekly amount– (<i>Cpparamt – Vehicles: How much was allowed for part exchange/trade-in?</i>)

VhTyp

Is the vehicle:

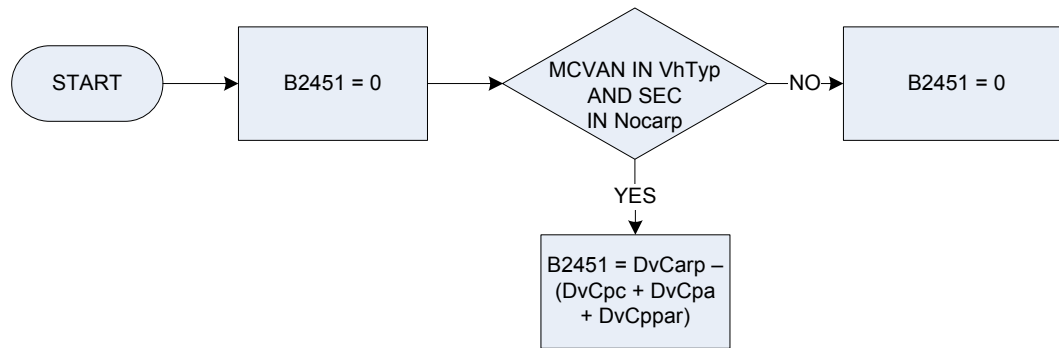
Car	a car,
Ivan	a light van,
mcycle	a motor cycle,
mcvan	a motor caravan,
other	or some other motor vehicle?

Nocarp

Was the vehicle new or second-hand?

NEWW	New
SEC	Second-hand

B2451 – Vehicle cost of second hand motor caravan outright



KEY

DvCarp	Derived from Carpamt to give a weekly amount – (Carpamt – Vehicles: How much was the cash price of this vehicle, BEFORE taking off any part exchange or trade-in?)
DVCpa	Derived from Cpinsamt to give a weekly amount – (Cpinsamt – Vehicles: How much was included for vehicle insurance?)
DvCpc	Derived from Cpparamt to give a weekly amount – (Cpparamt – Vehicles: How much was allowed for road tax?)
DvCppar	Derived from Cpparamt to give a weekly amount– (Cpparamt – Vehicles: How much was allowed for part exchange/trade-in?)

VhTyp

Is the vehicle:

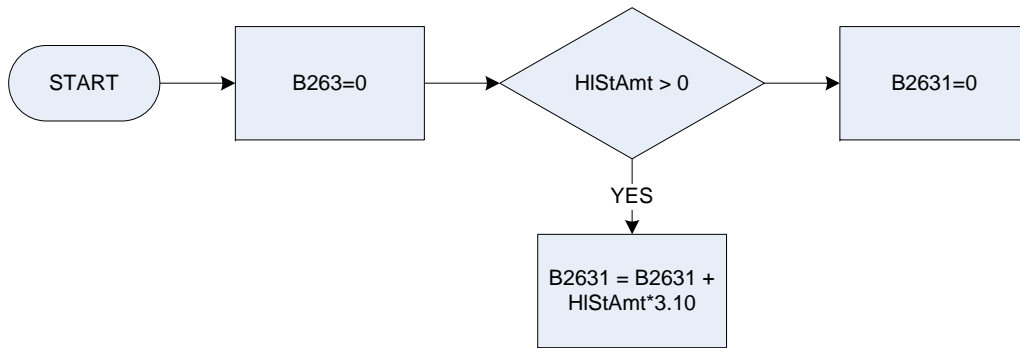
Car	a car,
Ivan	a light van,
mcycle	a motor cycle,
mcvan	a motor caravan,
other	or some other motor vehicle?

Nocarp

Was the vehicle new or second-hand?

NEWW	New
SEC	Second-hand

B2631 – Healthy start vouchers – imputed value last week

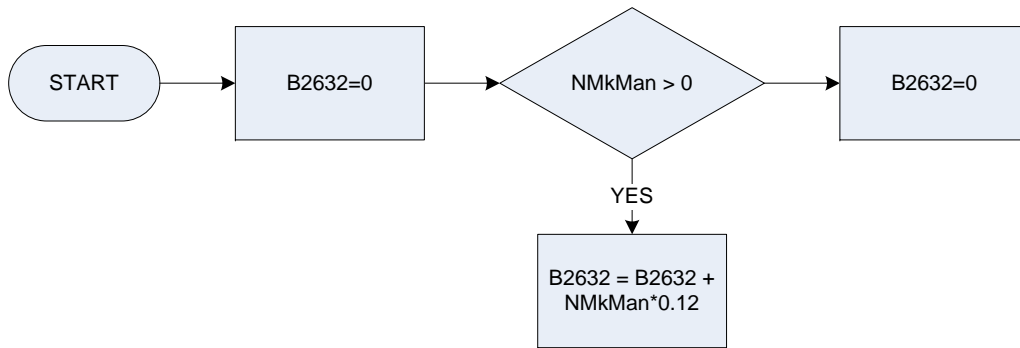


KEY

HStAmt

How many vouchers did the household member receive?

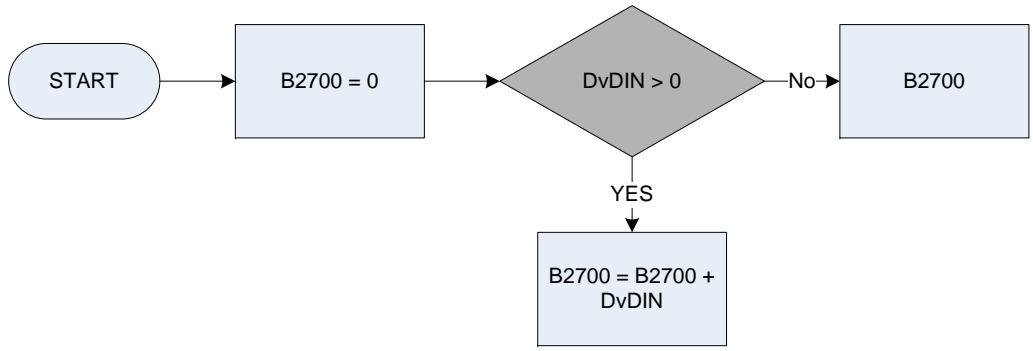
B2632 – Nursery milk – imputed value last week



KEY

NMkMan On how many of the past 7 days ending yesterday did the household member receive free milk?

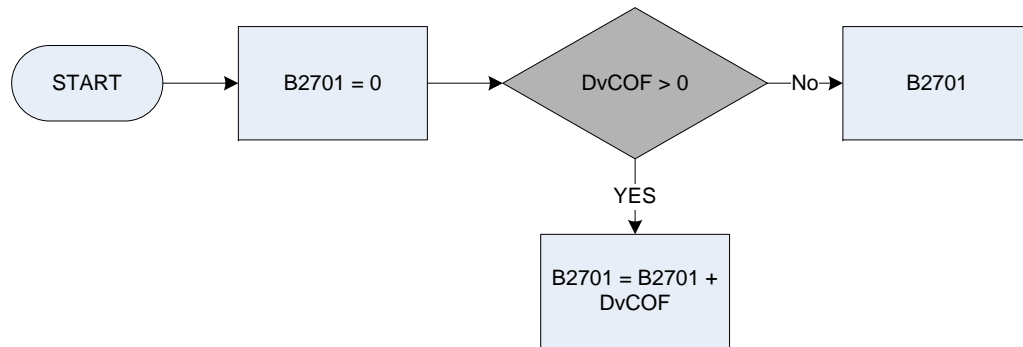
B2700 – Dining furniture



KEY

DVDIN Derived from Dinamt to give a weekly amount – (*Dinamt – How much did you pay for the dining table or chairs, excluding any interest paid on loans?*)

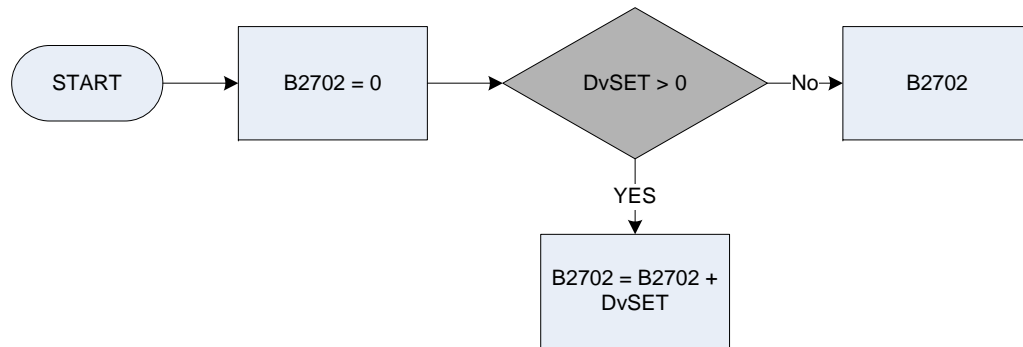
B2701 – Furniture – tables



KEY

DVCOF Derived from Cofamt to give a weekly amount – *(Cofamt – How much did you pay for the coffee tables or nests of tables, excluding any interest paid on loans?)*

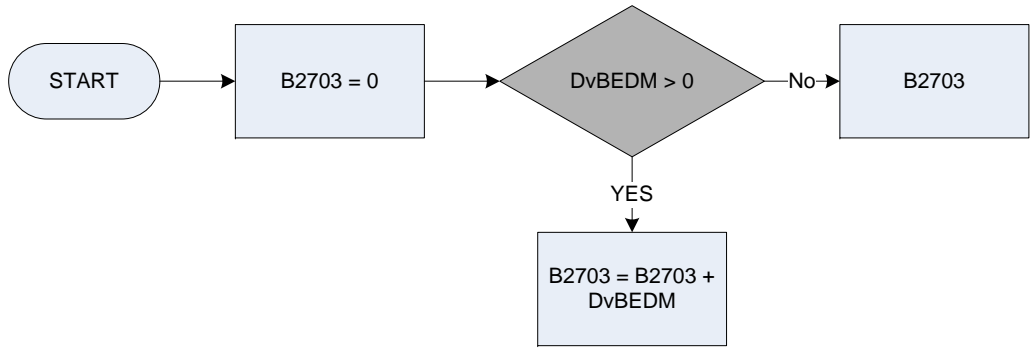
B2702 – Furniture – settees



KEY

DVSET Derived from Setamt to give a weekly amount – (*Setamt – How much did you pay for the settees, armchairs or sofa beds, excluding any interest paid on loans?*)

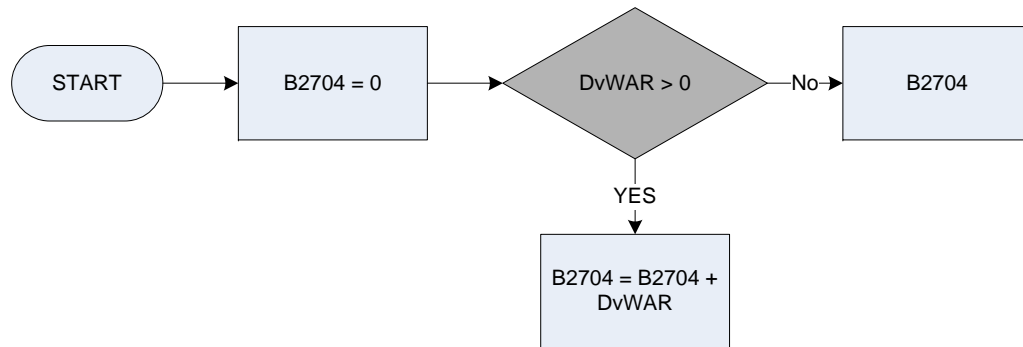
B2703 – Furniture – beds



KEY

DVBEDM Derived from Bedamt to give a weekly amount – *(Bedamt – How much did you pay for the beds or mattresses, excluding any interest paid on loans?)*

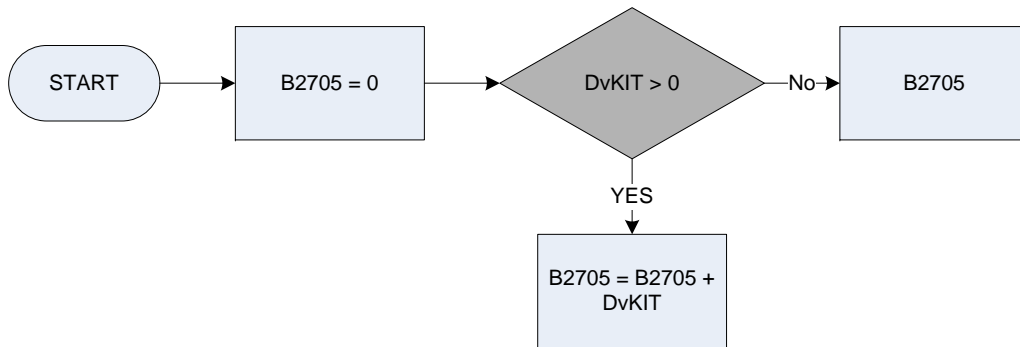
B2704 – Furniture – wardrobes



KEY

DVWAR Derived from Waramt to give a weekly amount – (*Waramt – How much did you pay for the wardrobes, dressing tables or other bedroom furniture, excluding any interest paid on loans?*)

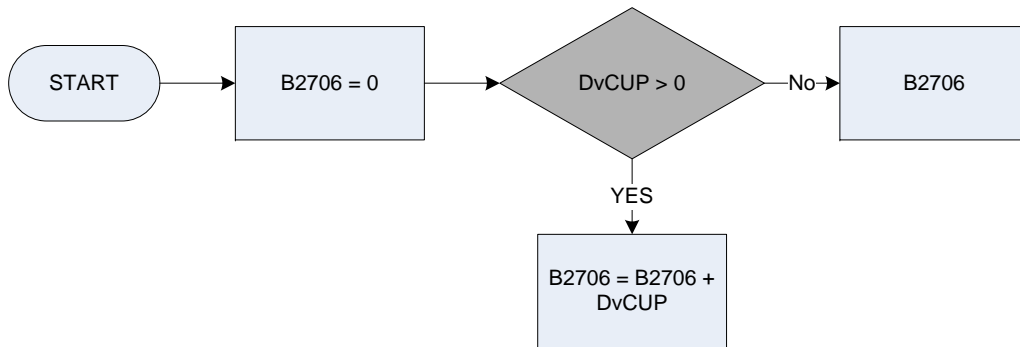
B2705 – Furniture – kitchen units



KEY

DVKIT Derived from Kitamt to give a weekly amount – (*Kitamt – How much did you pay for the kitchen units including sinks, excluding any interest paid on loans?*)

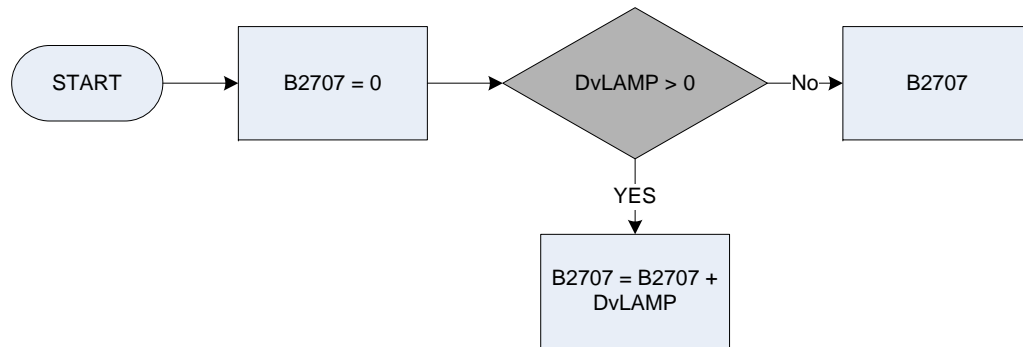
B2706 – Furniture – cupboards



KEY

DVCUP Derived from Cupamt to give a weekly amount – (*Cupamt* – How much did you pay for the cupboards, bookcases, shelving or storage units, excluding any interest paid on loans?)

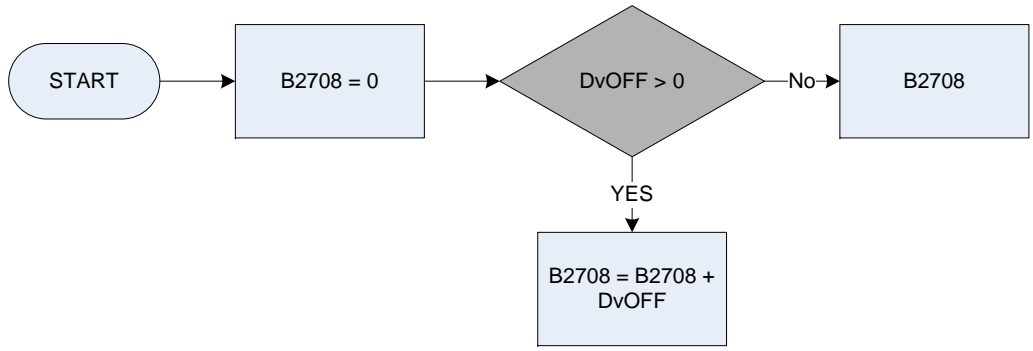
B2707 – Furniture – lamps



KEY

DVLAMP Derived from Lampamt to give a weekly amount – (*Lampamt – How much did you pay for the table lamps, excluding any interest paid on loans?*)

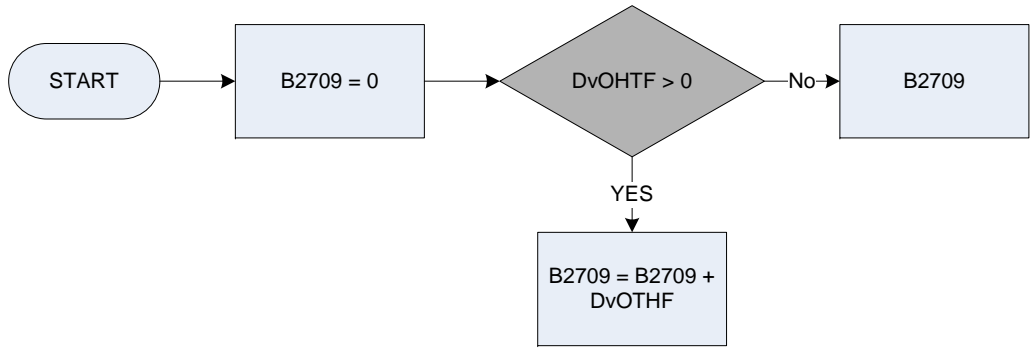
B2708 – Office furniture



KEY

DVOFF Derived from Offamt to give a weekly amount – (*Offamt – How much did you pay for the home office furniture, excluding any interest paid on loans?*)

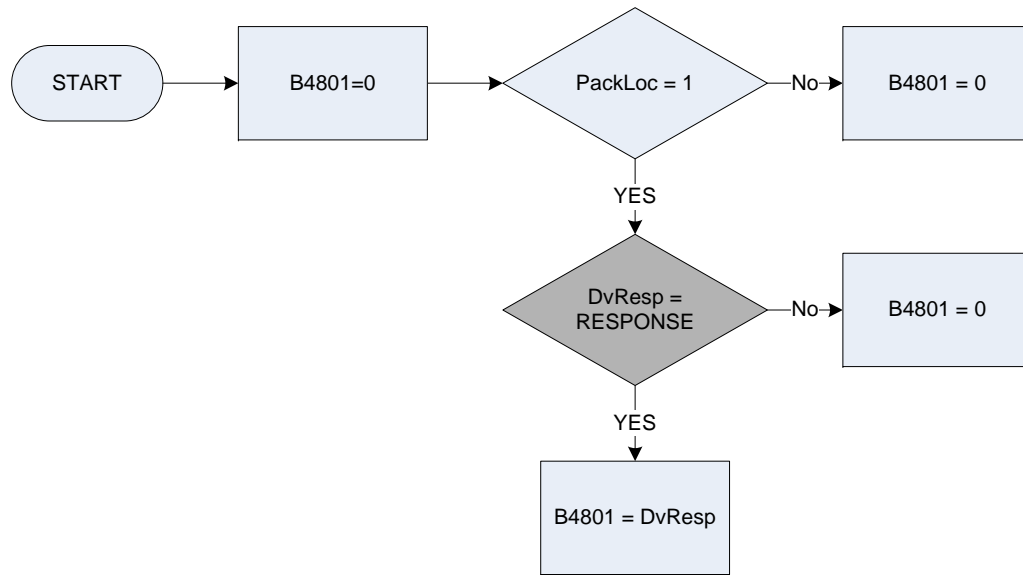
B2709 – Other furniture



KEY

DVOTHF Derived from Othfamt to give a weekly amount – (*Othfamt – How much did you pay for the other furniture, excluding any interest paid on loans?*)

B4801 – Resort holiday package within United Kingdom



KEY

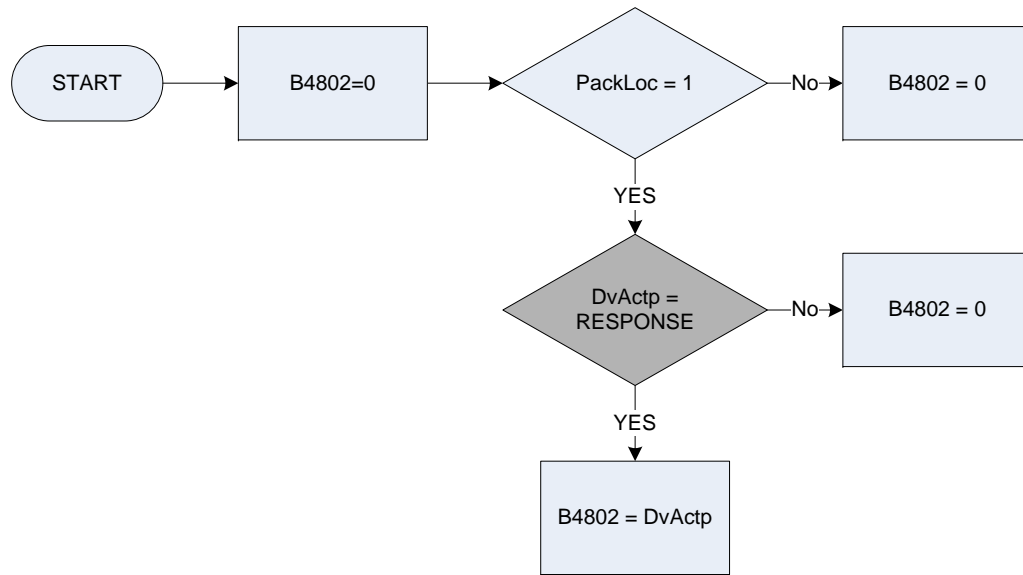
DvResp
PackLoc

Derived from PackAmt to give a weekly amount – *(PackAmt – Resort package: In the last 3 months, how much did the respondent spend on the package only?)*

In which country was (will) the holiday be taken?

- 1 UK
- 2 Other

B4802 – Activity holiday package within United Kingdom



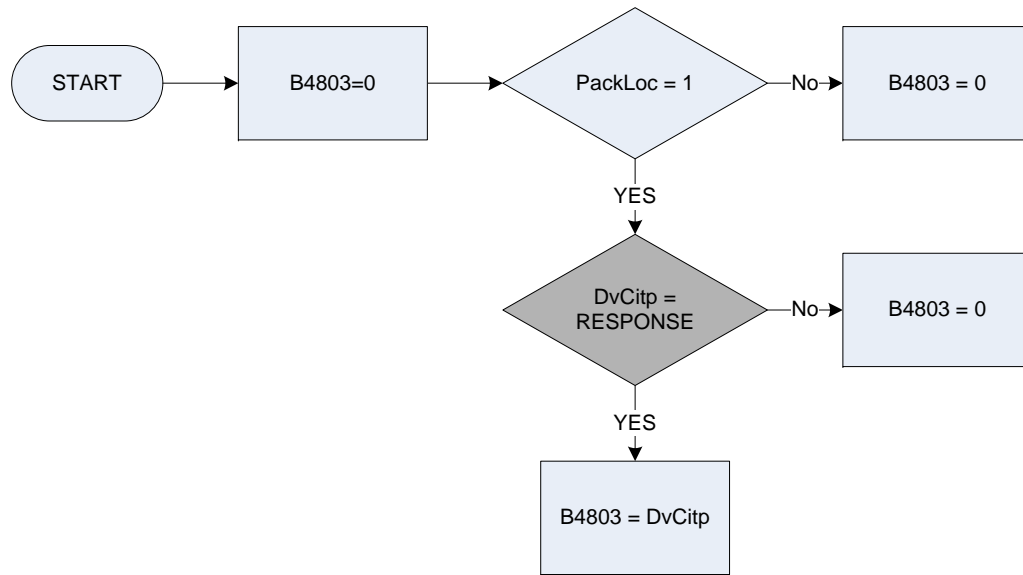
KEY

DvActp
PackLoc

Derived from PackAmt to give a weekly amount – (*PackAmt – Activity package: In the last 3 months, how much did the respondent spend on the package only?*)
In which country was (will) the holiday be taken?

- 1 UK
- 2 Other

B4803 – City holiday package within United Kingdom



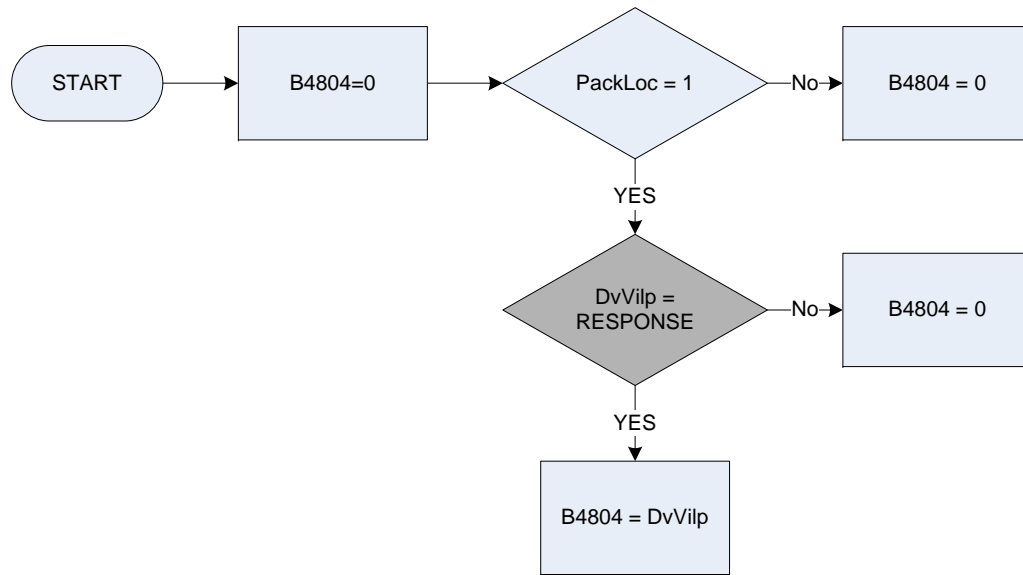
KEY

DvCitp
PackLoc

Derived from PackAmt to give a weekly amount – (*PackAmt – City package: In the last 3 months, how much did the respondent spend on the package only?*)
In which country was (will) the holiday be taken?

- 1 UK
- 2 Other

B4804 – Villa/chalet holiday package within United Kingdom



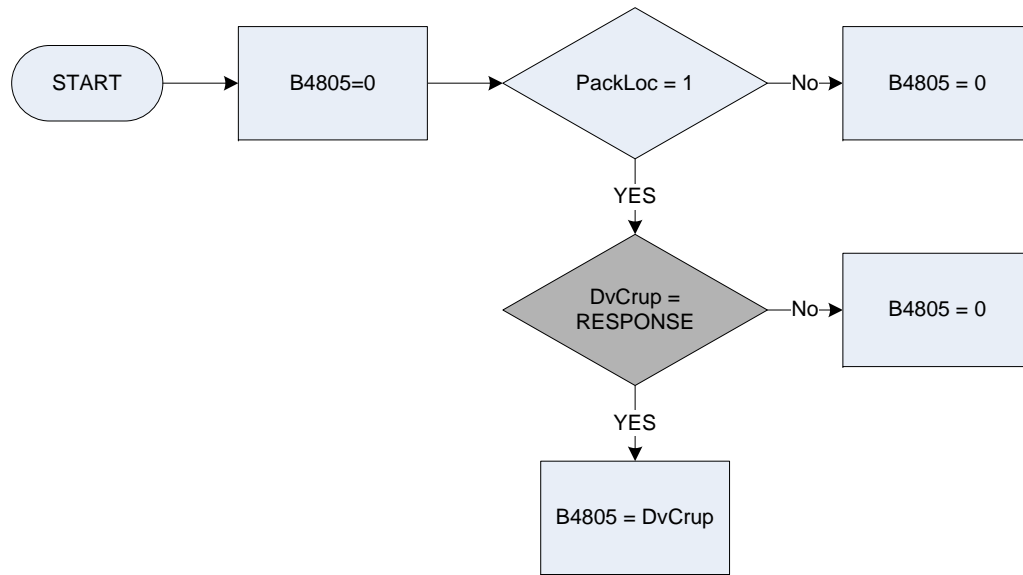
KEY

DvVilp
PackLoc

Derived from PackAmt to give a weekly amount – (*PackAmt – Villa/chalet package: In the last 3 months, how much did the respondent spend on the package only?*)
In which country was (will) the holiday be taken?

- 1 UK
- 2 Other

B4805 – Cruise holiday package within United Kingdom



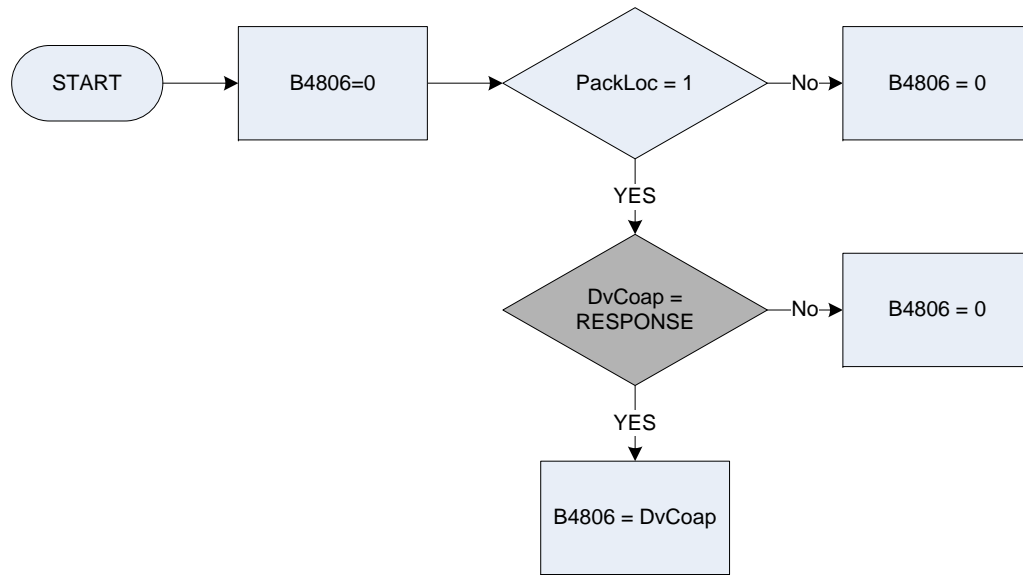
KEY

DvCrup
PackLoc

Derived from PackAmt to give a weekly amount – (*PackAmt – Cruise package: In the last 3 months, how much did the respondent spend on the package only?*)
In which country was (will) the holiday be taken?

- 1 UK
- 2 Other

B4806 – Coach holiday package within United Kingdom



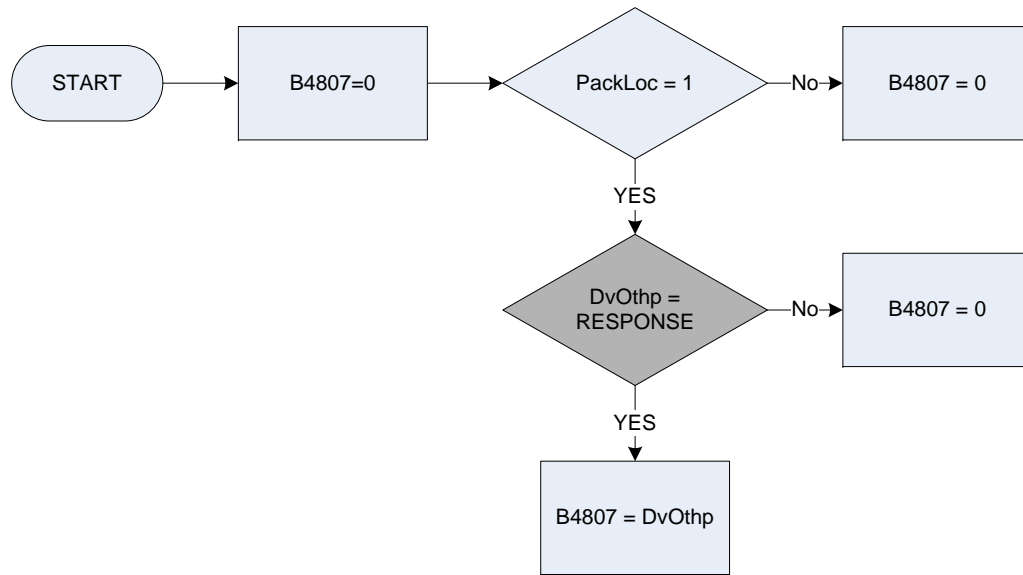
KEY

DvCoap
PackLoc

Derived from PackAmt to give a weekly amount – *(PackAmt – Coach package: In the last 3 months, how much did the respondent spend on the package only?)*
In which country was (will) the holiday be taken?

- 1 UK
- 2 Other

B4807 – Other holiday package within United Kingdom



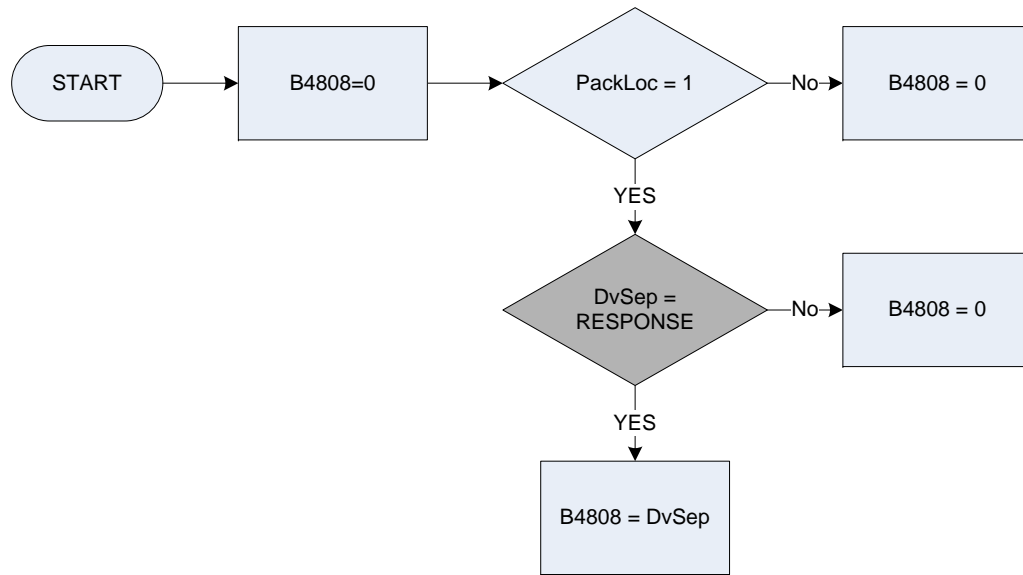
KEY

DvOthp
PackLoc

Derived from PackAmt to give a weekly amount – (*PackAmt – Other package: In the last 3 months, how much did the respondent spend on the package only?*)
In which country was (will) the holiday be taken?

- 1 UK
- 2 Other

B4808 – Separate holiday insurance in UK



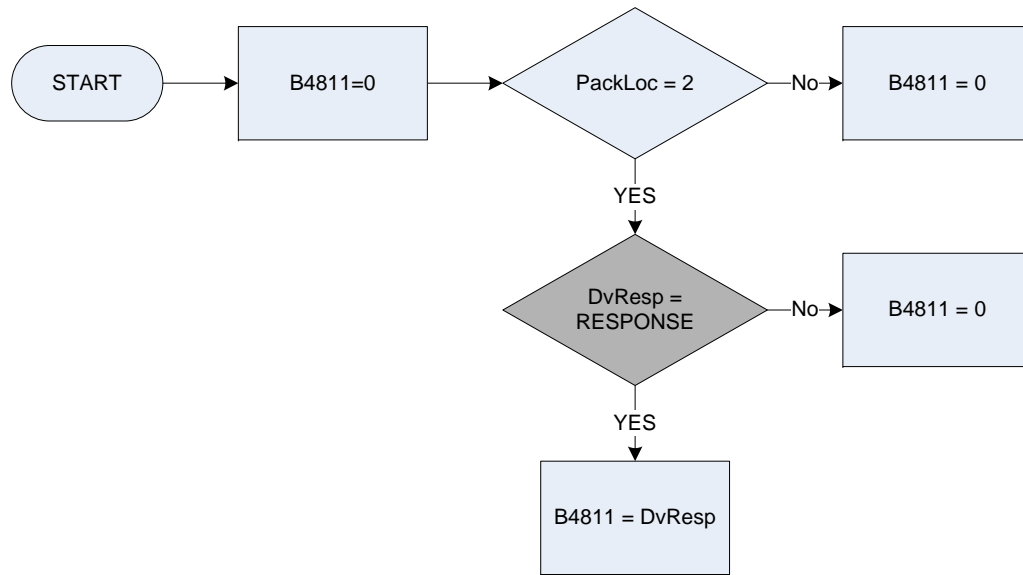
KEY

DvSep
PackLoc

Derived from SepInAm to give a weekly amount – (SepInAm – Separate holiday insurance premium covering package holiday: In the last 3 months, how much did the respondent pay?)
In which country was (will) the holiday be taken?

- 1 UK
- 2 Other

B4811 – Resort holiday package outside United Kingdom



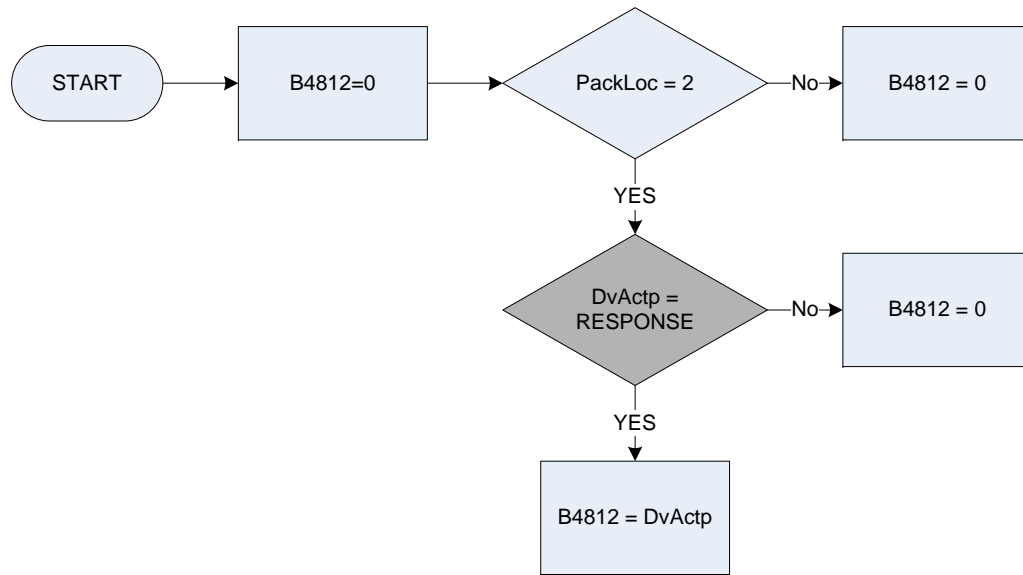
KEY

DvResp
PackLoc

Derived from PackAmt to give a weekly amount – (*PackAmt – Resort package: In the last 3 months, how much did the respondent spend on the package only?*)
In which country was (will) the holiday be taken?

- 1 UK
- 2 Other

B4812 – Activity holiday package outside United Kingdom



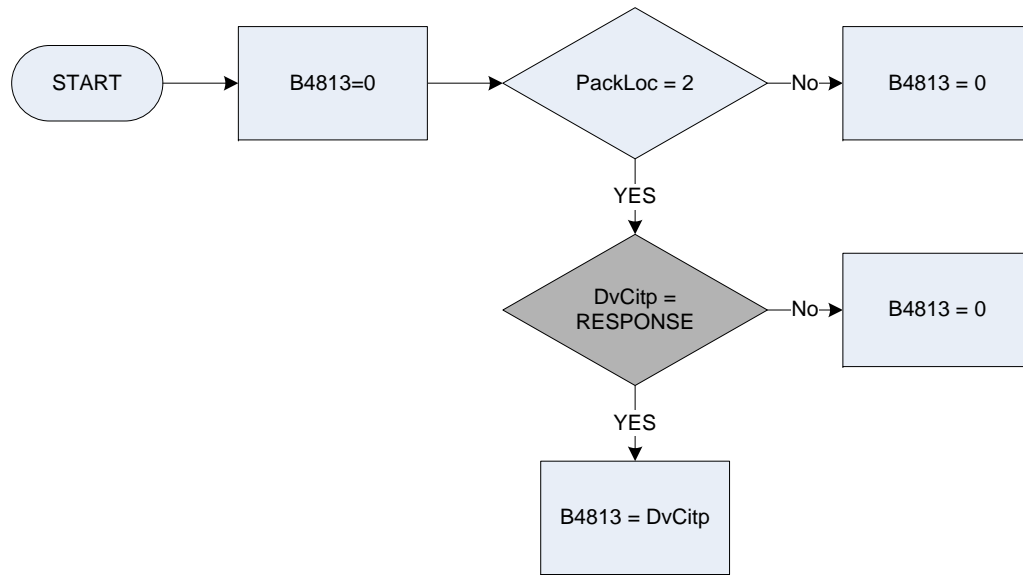
KEY

DvActp
PackLoc

Derived from PackAmt to give a weekly amount – (*PackAmt – Activity package: In the last 3 months, how much did the respondent spend on the package only?*)
In which country was (will) the holiday be taken?

- 1 UK
- 2 Other

B4813 – City holiday package outside United Kingdom



KEY

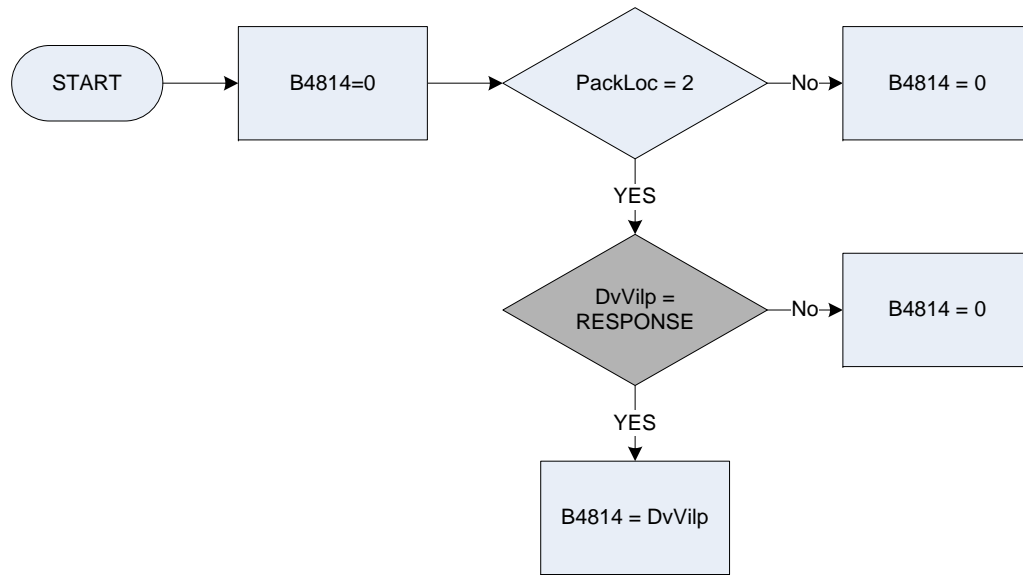
DvCitp
PackLoc

Derived from PackAmt to give a weekly amount – *(PackAmt – City package: In the last 3 months, how much did the respondent spend on the package only?)*

In which country was (will) the holiday be taken?

- 1 UK
- 2 Other

B4814 – Villa/chalet holiday package outside United Kingdom



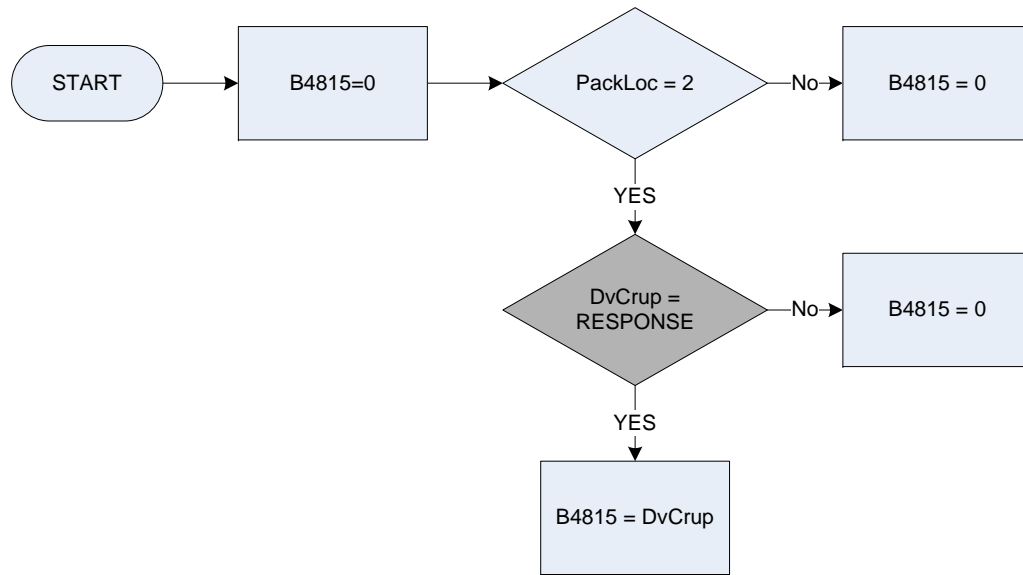
KEY

DvVilp
PackLoc

Derived from PackAmt to give a weekly amount – (*PackAmt – Villa/chalet package: In the last 3 months, how much did the respondent spend on the package only?*)
In which country was (will) the holiday be taken?

- 1 UK
- 2 Other

B4815 – Cruise holiday package outside United Kingdom



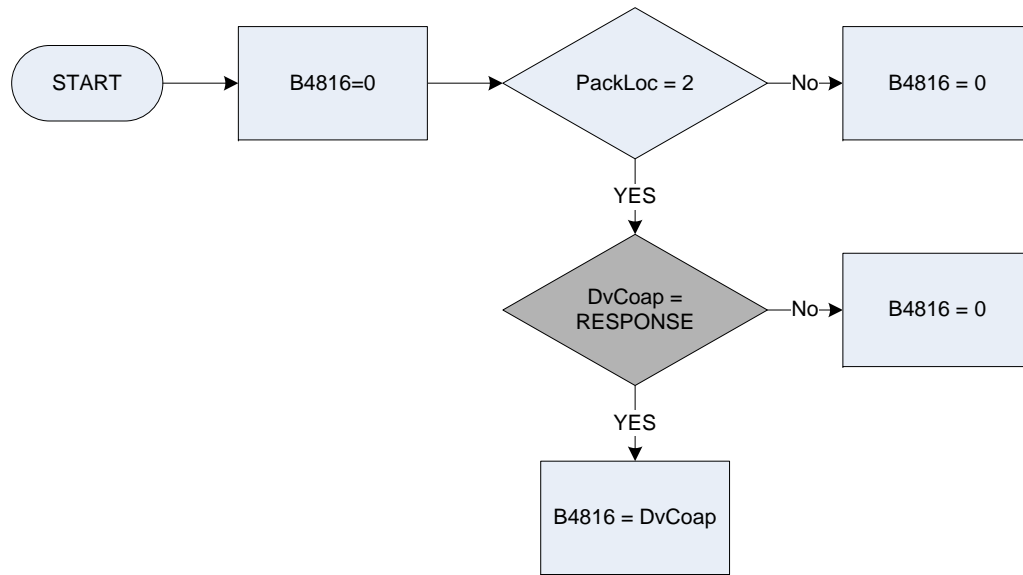
KEY

DvCrup
PackLoc

Derived from PackAmt to give a weekly amount – (*PackAmt – Cruise package: In the last 3 months, how much did the respondent spend on the package only?*)
In which country was (will) the holiday be taken?

- 1 UK
- 2 Other

B4816 – Coach holiday package outside United Kingdom



KEY

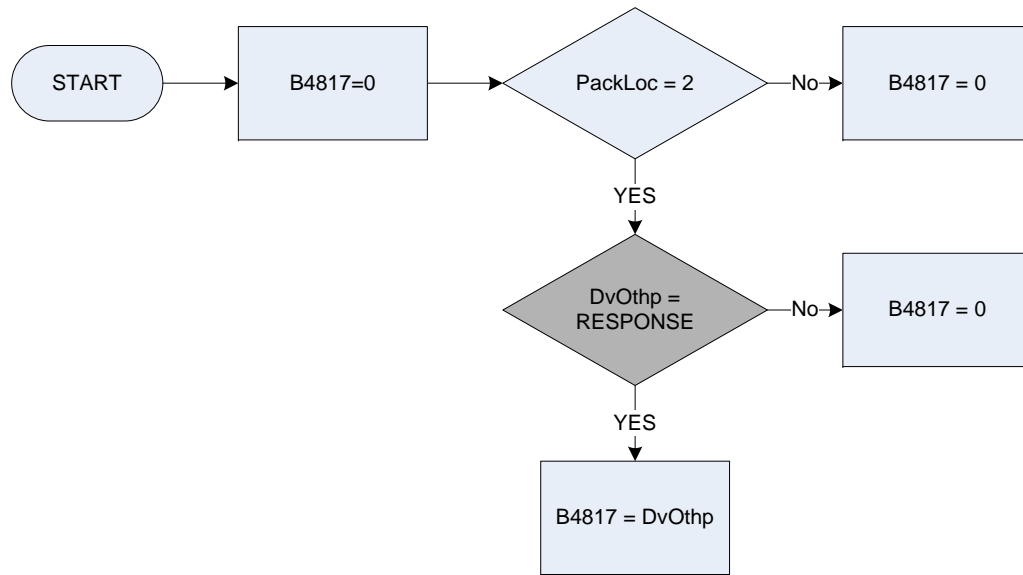
DvCoap
PackLoc

Derived from PackAmt to give a weekly amount – (*PackAmt – Coach package: In the last 3 months, how much did the respondent spend on the package only?*)

In which country was (will) the holiday be taken?

- 1 UK
- 2 Other

B4817 – Other holiday package outside United Kingdom



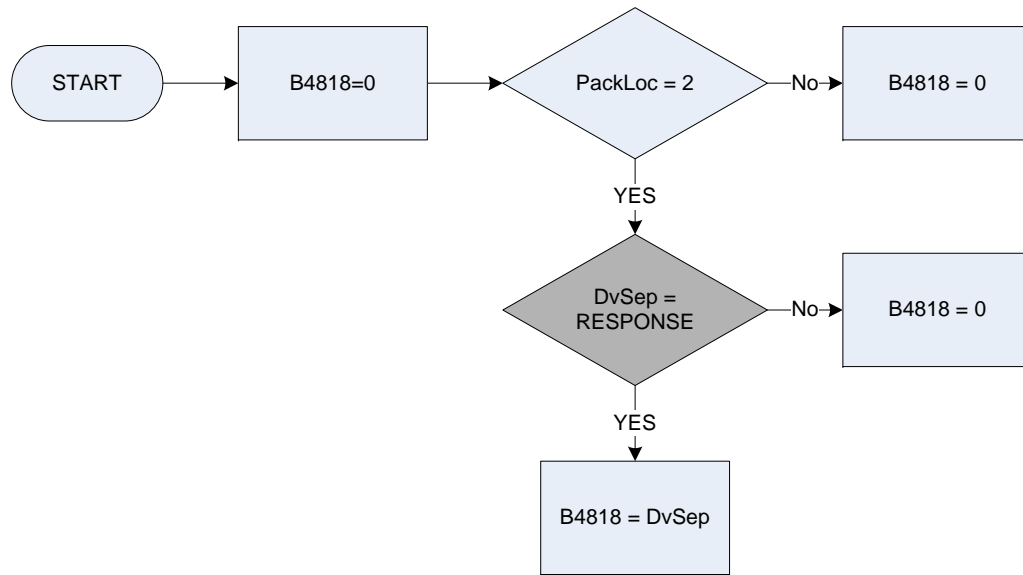
KEY

DvOthp
PackLoc

Derived from PackAmt to give a weekly amount – (*PackAmt – Other package: In the last 3 months, how much did the respondent spend on the package only?*)
In which country was (will) the holiday be taken?

- 1 UK
- 2 Other

B4818 – Separate holiday insurance outside UK



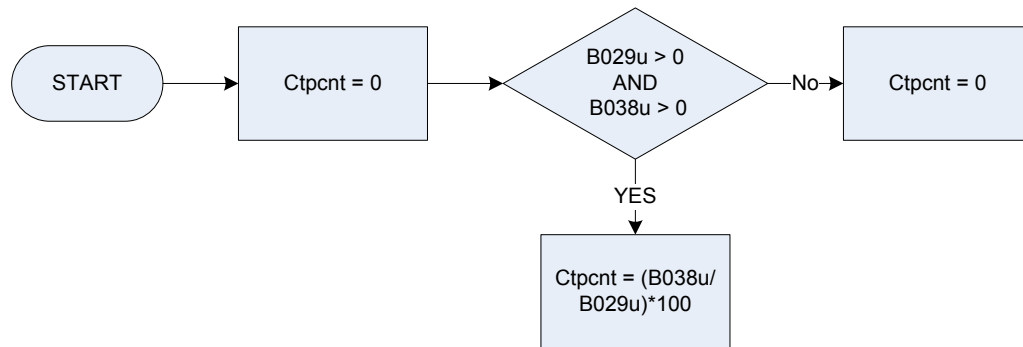
KEY

DvSep
PackLoc

Derived from SepInAm to give a weekly amount – (SepInAm – Separate holiday insurance premium covering package holiday: In the last 3 months, how much did the respondent pay?)
In which country was (will) the holiday be taken?

- 1 UK
- 2 Other

CTPCNT – Council Tax: amount paid as % of amount due

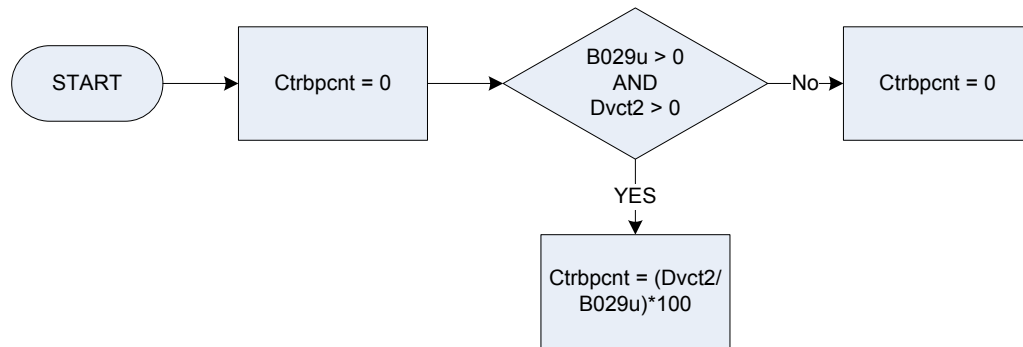


KEY

B029u
B038u

Council tax payable after status discount
Council tax – last payment weekly amount

CTRBPCNT – Council Tax: rebate received as % of amount due

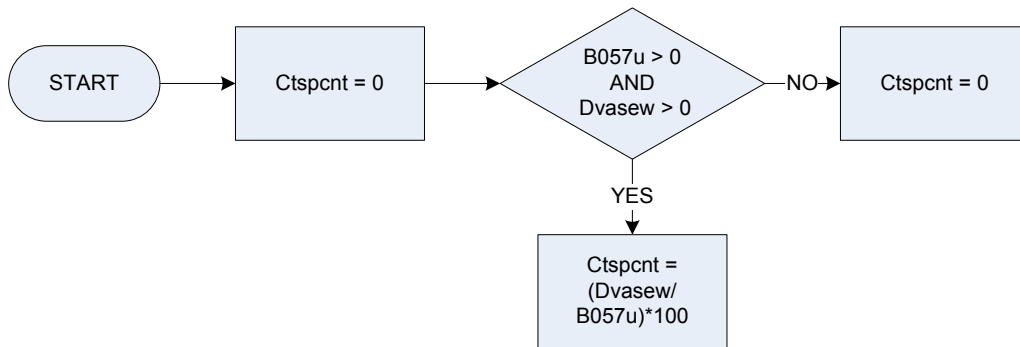


KEY

B029u
DVct2

Council tax payable after status discount
Derived from CTRRebAmt to give a weekly amount – (CTRRebAmt – Council Tax: How much was allowed?)

CTSPCNT – Council sewerage charge: amount as % of amount due

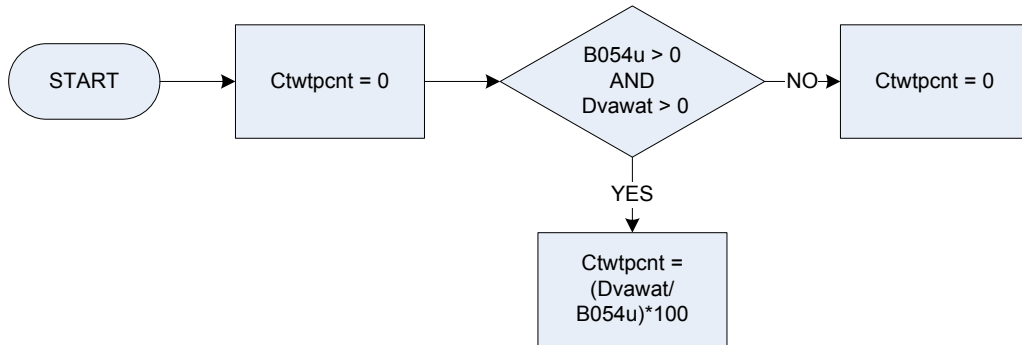


KEY

B057u
Dvasew

Council sewerage charge after status discount
Derived from CTSeW to give a weekly amount – (CTSeW – Council Tax: How much was included in the last council tax payment for council Sewerage charge?)

CTWTPCNT – Council water charge: amnt paid as % of amount due



KEY

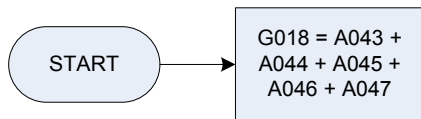
B054u

Council water charge after status discount

Dvawat

Derived from CTWat to give a weekly amount - (CTWat – Council Tax: How much was included in the last council tax payment for council watercharge?)

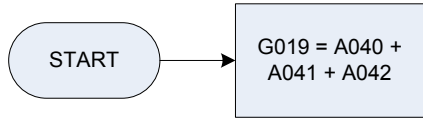
G018 – Number of adults



KEY

A043	No of adults – age 18 and under 45
A044	No of adults – age 45 and under 60
A045	No of adults – age 60 and under 65
A046	No of adults – age 65 and under 70
A047	No of adults – age 70 and over

G019 – Number of children

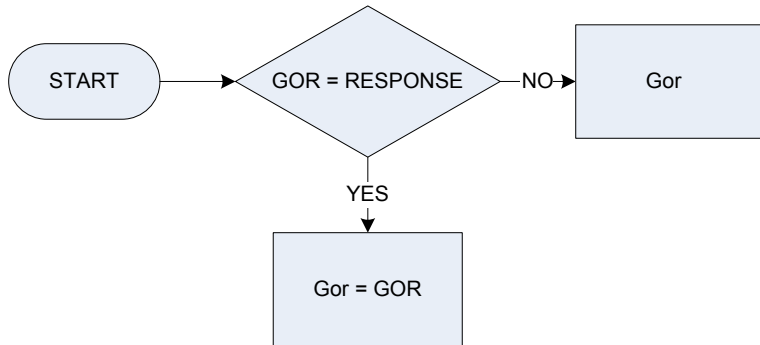


KEY

A040
A041
A042

Number of children age under 2
Number of children age 2 and under 5
Number of children age 5 and under 18

Gor – Government Office Region



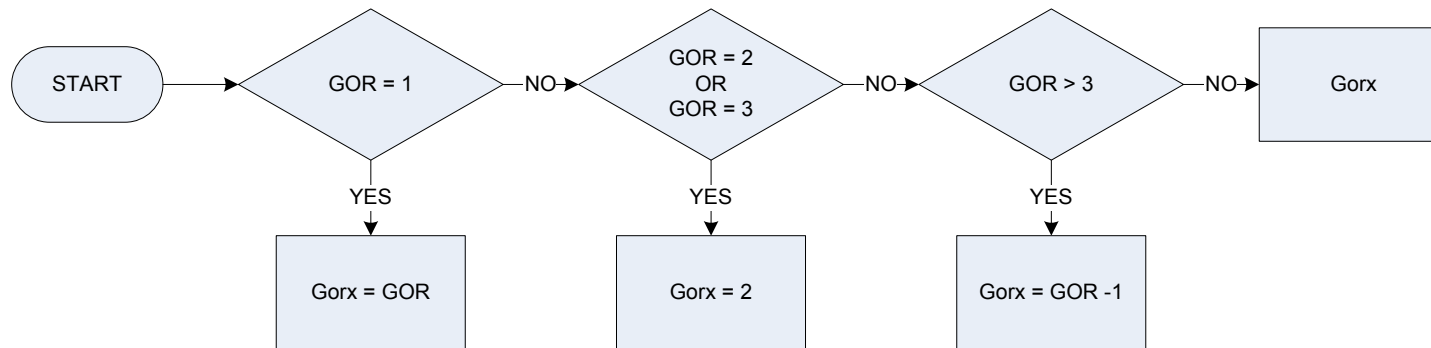
KEY

GOR

Government office region

- | | |
|----|--------------------------|
| 1 | North East |
| 2 | North West |
| 3 | Merseyside |
| 4 | Yorkshire and the Humber |
| 5 | East Midlands |
| 6 | West Midlands |
| 7 | Eastern |
| 8 | London |
| 9 | South East |
| 10 | South West |
| 11 | Wales |
| 12 | Scotland |
| 13 | Northern Ireland |

Gorx – Government Office Region modified



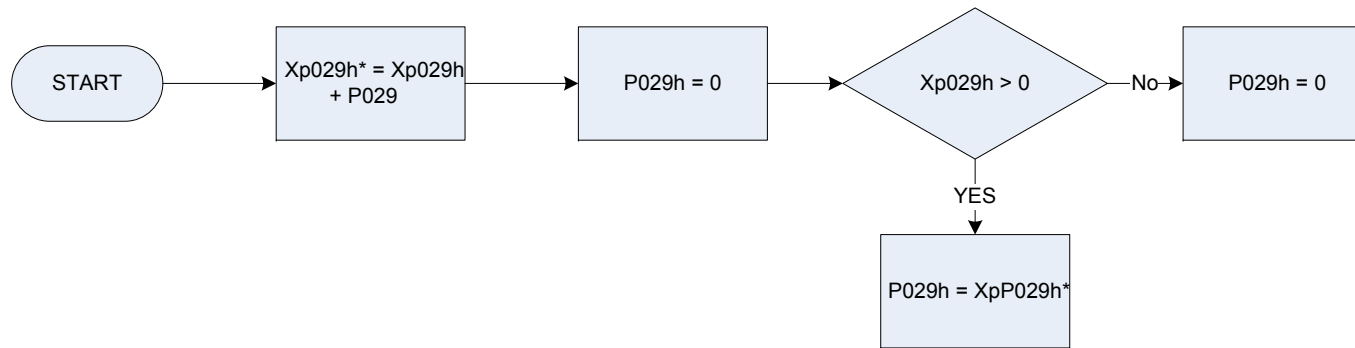
KEY

GORX

Government office region modified

- 1 North East
- 2 North West & Merseyside
- 3 Yorkshire and the Humber
- 4 East Midlands
- 5 West Midlands
- 6 Eastern
- 7 London
- 8 South East
- 9 South West
- 10 Wales
- 11 Scotland
- 12 Northern Ireland

P029h – NI contributions paid by non-employees - household

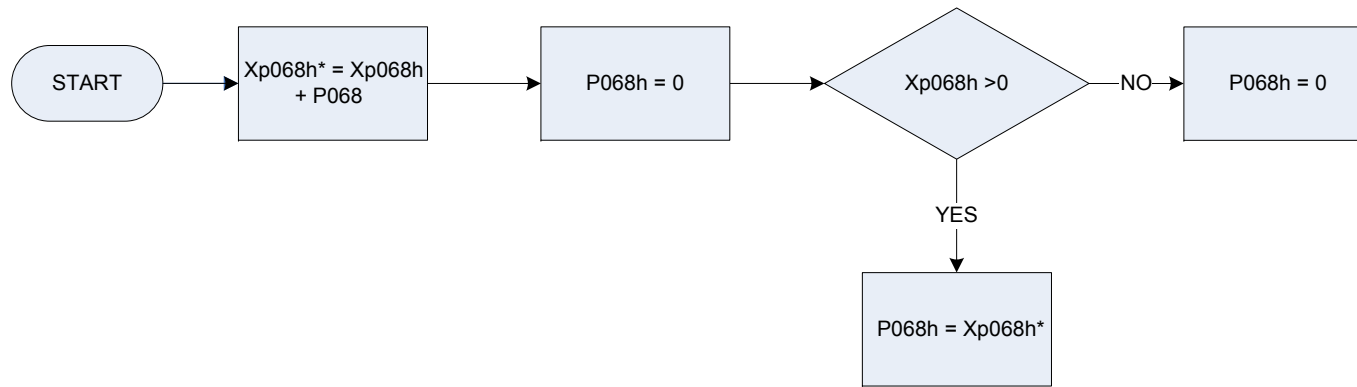


KEY

P029 NI contributions paid by non – employees (person level)
Xp029h* Temporary variable used in calculations - The sum of all NI contributions paid by non-employees made by household members (P029)

*If more than one respondent makes NI contributions then these are included in the total for Xp029h

P068h - Tax deducted from pensions, investments, annuities - household

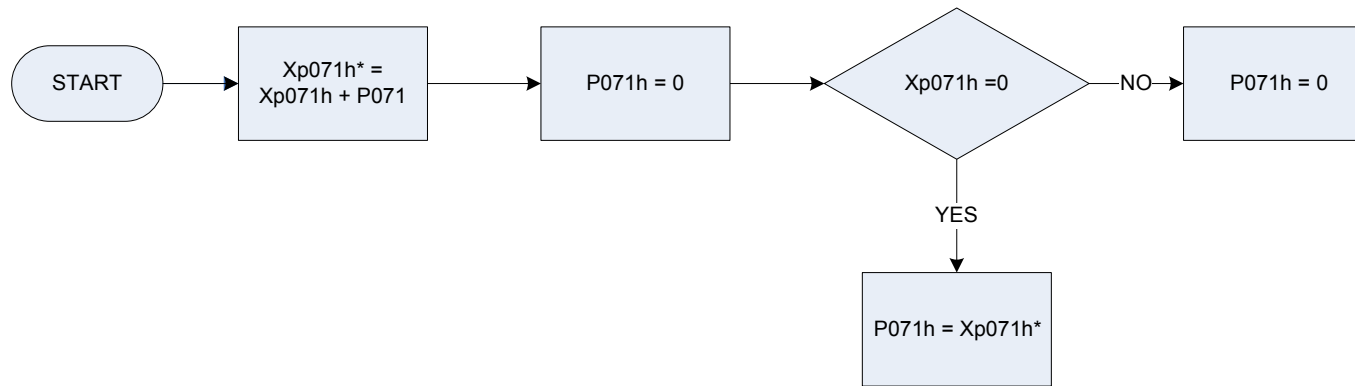


KEY

P068 Tax deducted from pensions, investments, annuities (person level)
Xp068h * Temporary variable used in calculations - The sum of all tax deductions from pensions, investments, annuities for household members (P068)

*If more than one respondent has tax deducted from pensions, investments, annuities then these are both included in the total amount for Xp068h

P071h - Pension & superannuation contributions - household

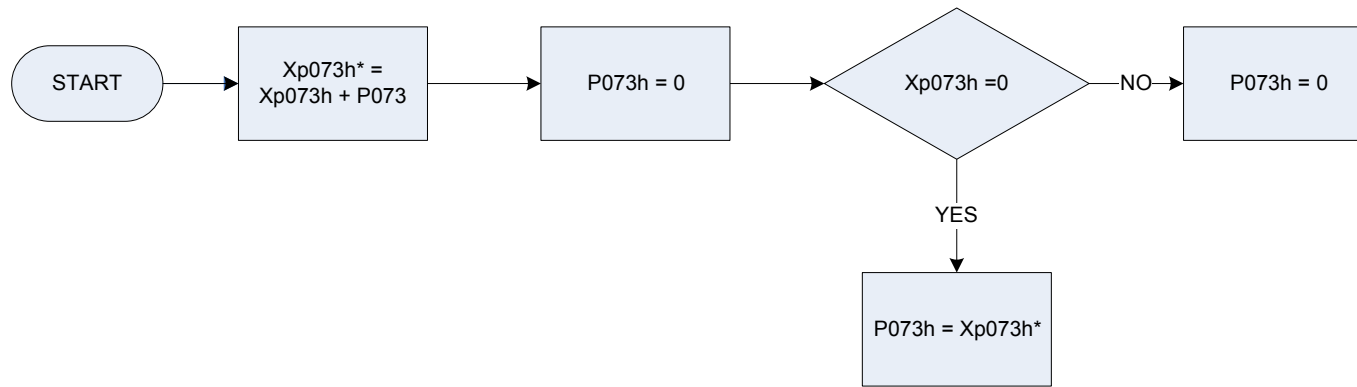


KEY

P071 Pension & superannuation contributions (person level)
Xp071h * Temporary variable used in calculations - The sum of all pension and superannuation contributions made by household members (P071)

*If more than one respondent makes pensions & superannuation contributions then these are all included in the total amount for Xp071h

P073h - Tax paid on bonuses - household

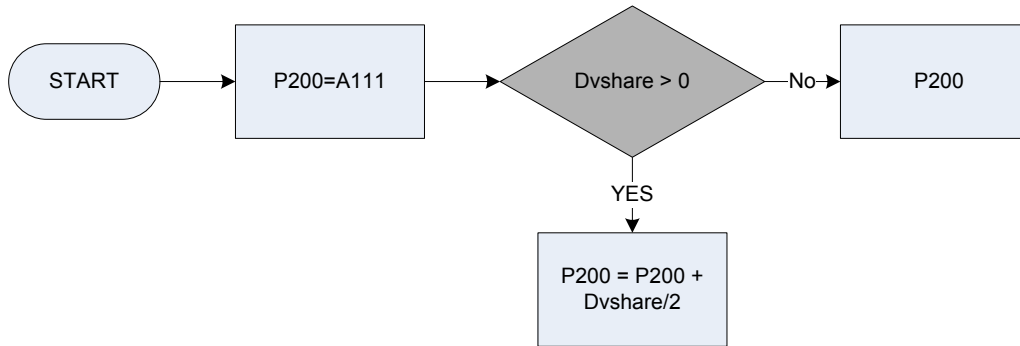


KEY

P073 Tax paid on bonuses (person level)
Xp073h * Temporary variable used in calculations - The sum of all tax paid on bonuses by household members (P073)

*If more than one respondent has paid tax on bonuses then these are both included in the total amount for Xp073h

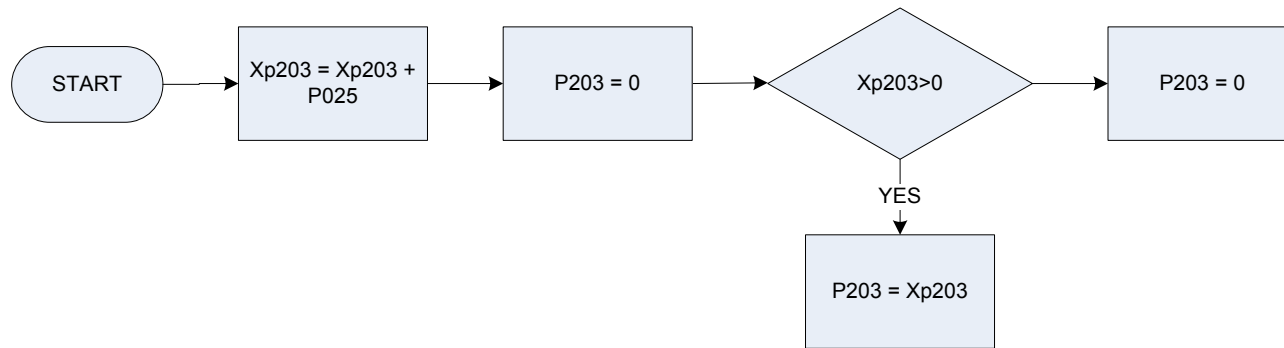
P200 – Number of rooms occupied (DE basis)



KEY

A111 Rooms used solely by household
DvShare Derived Variable for total number of shared rooms, excluding small kitchens and bathrooms

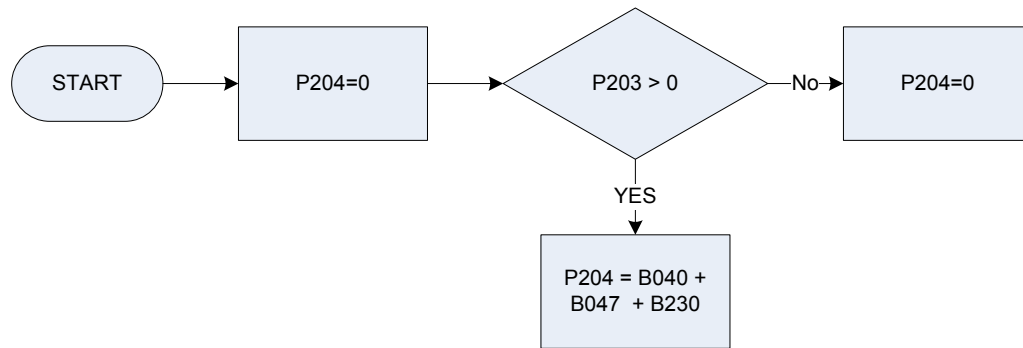
P203 – Income support currently received - household



KEY

P025 Income support amount received (person level)
Xp203 Temporary variable used in calculations – The sum of all income support received by household members (P025)

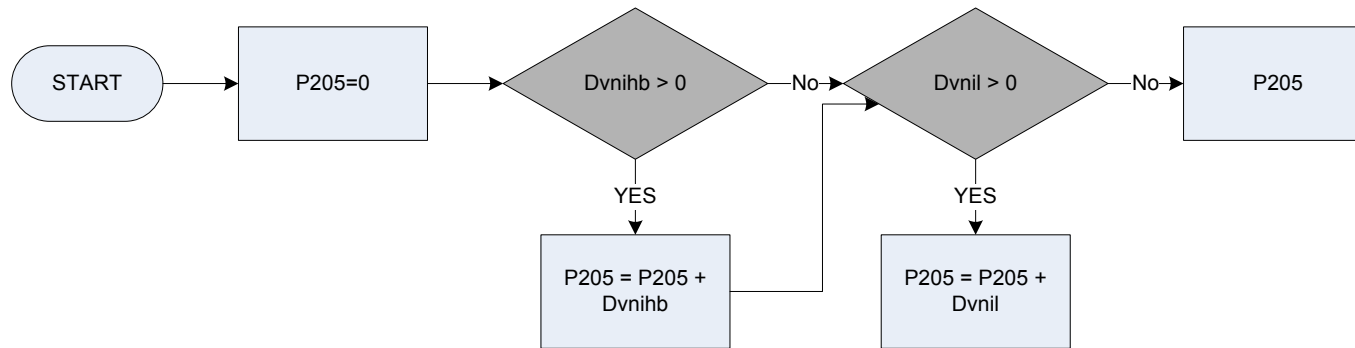
P204 – Housing benefit for certified claimant



KEY

B040	Rates rebate deducted from last rates/rent – amount
B047	Rates rebate - lump sum refunds last year
B230	Rent rebate -amount received inc non -sep rate rebate
P203	Income support currently received - household

P205 – Rates rebates



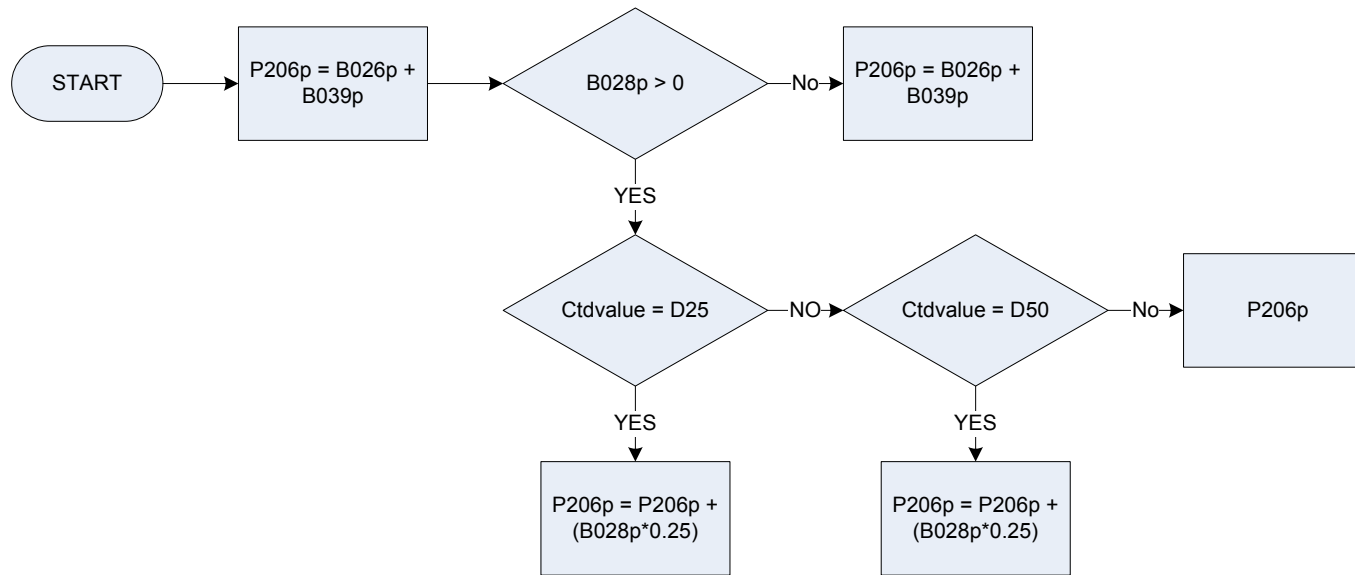
KEY

DvNihb
DvNil

Derived from RateDed to give a weekly amount – (RateDed - Northern Ireland rates: How much was deducted?)

Derived from HblAMT to give a weekly amount – (HblAMT – Northern Ireland rates: How much has the respondent received in lump sum rates rebates in the last 12 months?)

P206p – Council tax rebate - anonymised



KEY

B026p

Council tax – amount of discount for disabled

B039p

Council tax – amount of benefit/rebate weekly amount

B028p

Council tax – gross weekly amount payable

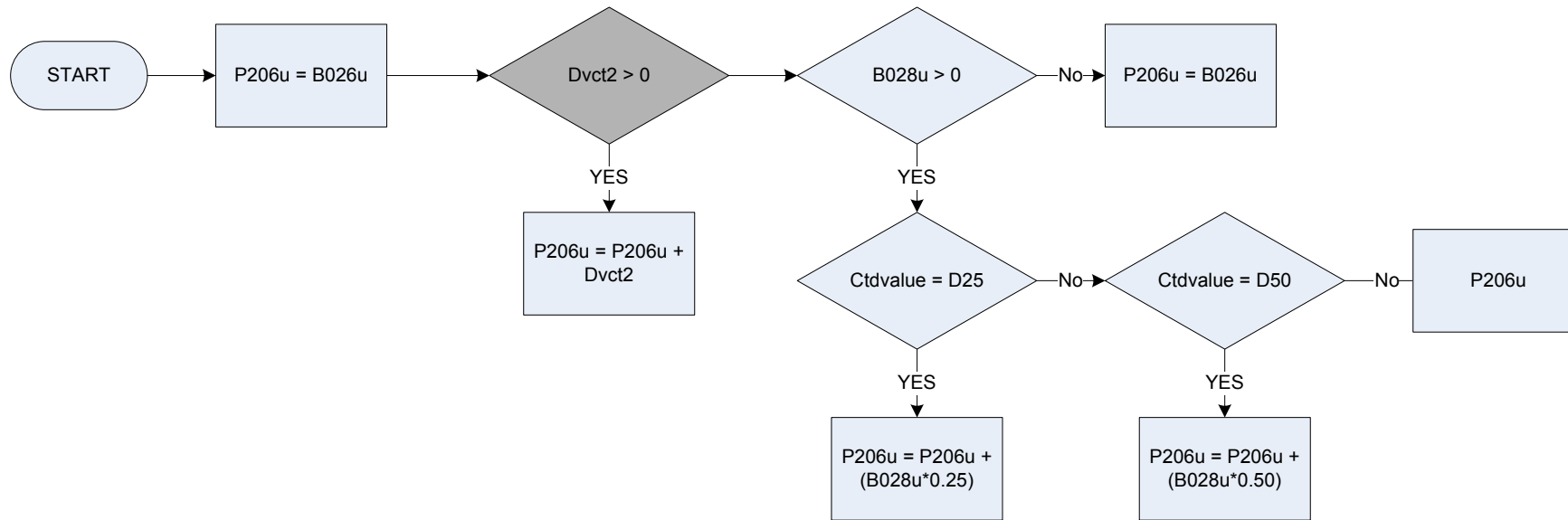
CtdValue

Was the respondent allowed: a 25% discount; or a 50% discount?

D25 25% discount

D50 or a 50% discount?

P206u – Council tax rebate



KEY

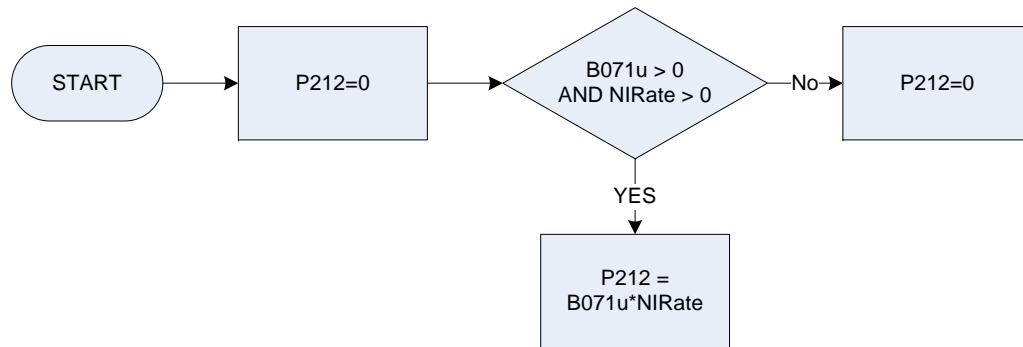
B028u Council tax – gross weekly amount payable

B026u Council tax - amount of discount for disabled

Dvct2 Derived from CTRebAmt - How much was allowed?

Ctdvalue Was respondent allowed: a 25% discount; or a 50% discount?
 D25 a 25% discount
 D50 or a 50% discount?

P212 – Calculated domestic rates

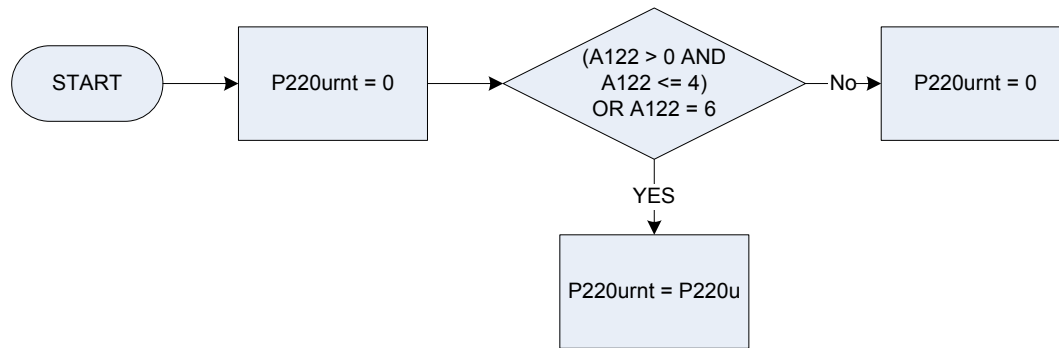


KEY

B071u
NIRate

Rateable value for part of dwelling occupied
Domestic rates poundage - Northern Ireland only

P220urnt – Rent | rate | council tax rebate or allowance – renters only



KEY

A122

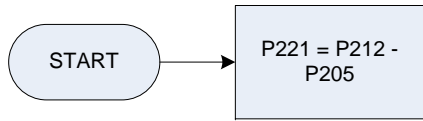
Tenure type – harmonised

- 0** Not recorded
- 1** Local Authority (Furnished/Unfurnished)
- 2** Housing Association (Furnished/Unfurnished)
- 3** Private Rented Unfurnished
- 4** Private Rented Furnished
- 5** Owned with Mortgage (i.e. in process of purchase)
- 6** Owned by Rental Purchase
- 7** Owned Outright
- 8** Rent Free

P220u

Rent | rate | council tax rebate or allowance

P221 – Calculated rates less rebates

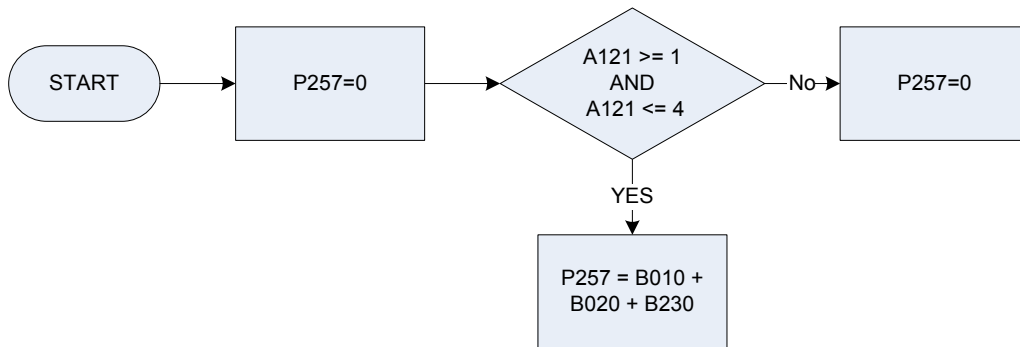


KEY

P205
P212

Rates rebate
Calculated domestic rates

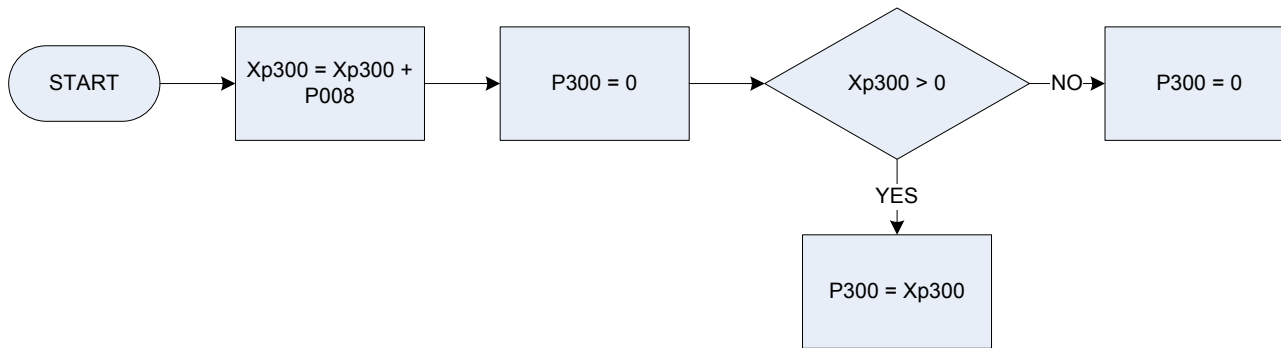
P257 – Rent – gross (including rates if not paid separately)



KEY

A121	Tenure type
0	<i>Not recorded</i>
1	<i>Local Authority (Furnished/Unfurnished)</i>
2	<i>Housing Association</i>
3	<i>Other Rented Unfurnished</i>
4	<i>Rented Furnished</i>
5	<i>Owned with Mortgage (i.e. in process of purchase)</i>
6	<i>Owned by Rental Purchase</i>
7	<i>Owned Outright</i>
8	<i>Rent Free</i>
B010	Rents/rates – last net payment
B020	Net rent – service charge deducted
B230	Rent rebate – amount received including non – sep rate rebate

P300 - Normal gross wage / salary (main), household - 13 week rule



KEY

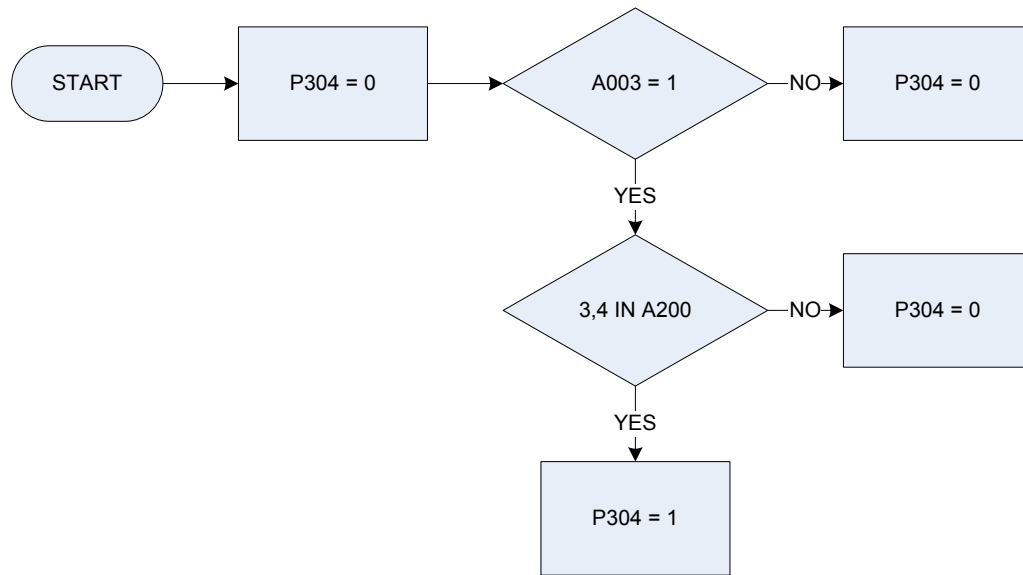
P008

Normal gross wage, salary (13 week rule) (person level)

Xp300

Temporary variable used in calculations - The sum of all normal gross wages/salaries (13 week rule) received by household members (P008)

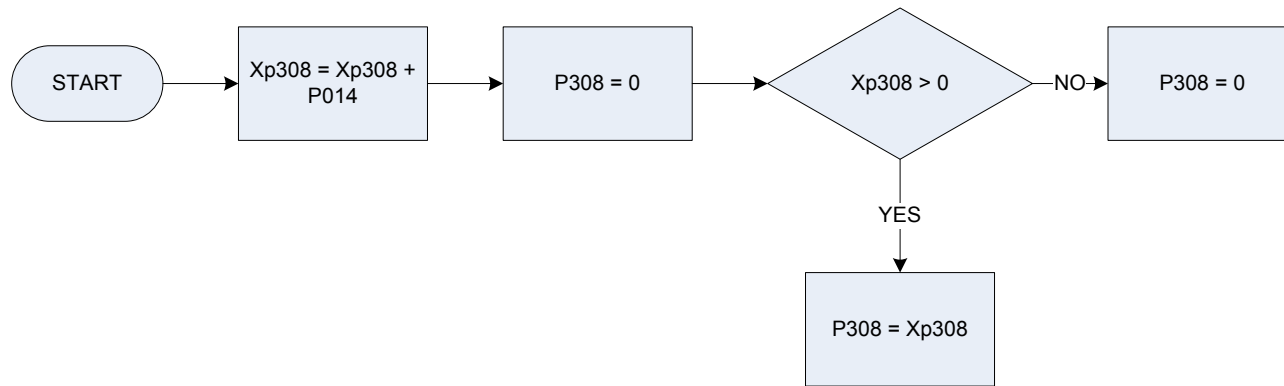
P304 - Household Reference Person unemployed



KEY

A003	Household Reference Person (HRP)
1	HRP
2	Not HRP
A200	Employment status
0	Not recorded
1	Employee
2	Self-employed or employer
3	Out of employment, seeking work within last 4 weeks & available to start a job
4	Out of employment, waiting to start a job already obtained
5	Sick or injured
6	Retired including Job Release Scheme
7	Unoccupied
P304	Household Reference Person unemployed
0	Not recorded
1	Unemployed

P308 - Gross wage / salary last week / month(subsd) - household



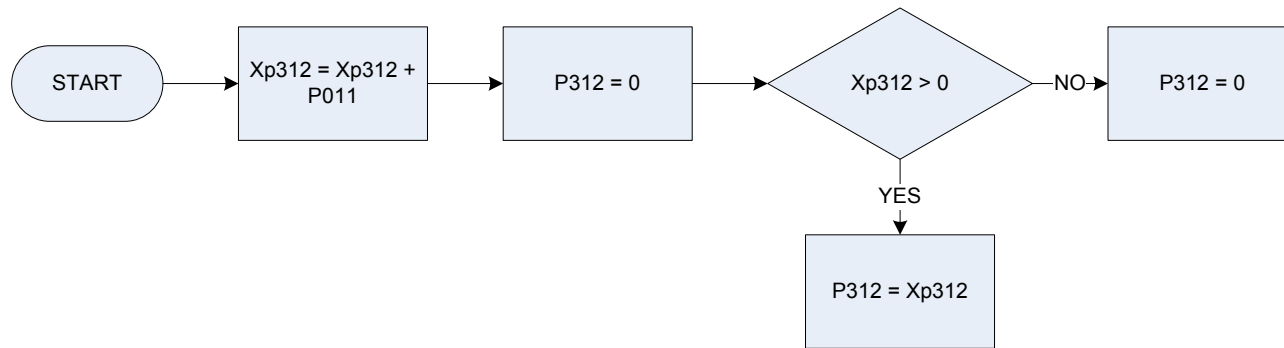
KEY

P014
Xp308

Gross wage, salary last week, month (subsidiary) (person level)

Temporary variable used in calculations - The sum of all gross wages / salaries from subsidiary jobs received last week / month by household members (P014)

P312 - Gross wage / salary last time paid (subsidiary) - household



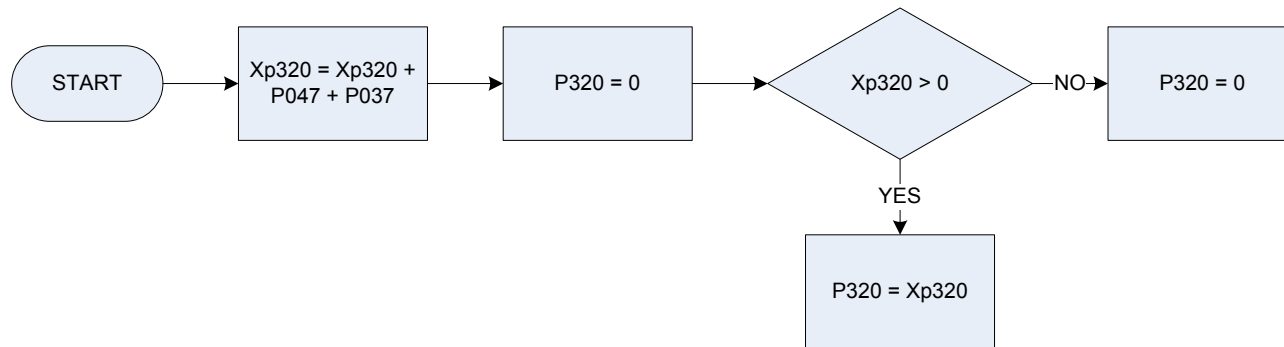
KEY

P011
Xp312

Gross wage - last time paid - (13 week rule subsidiary) (person level)

Temporary variable used in calculations - The sum of all gross wages / salaries from subsidiary jobs received by household members the last time they were paid (P011)

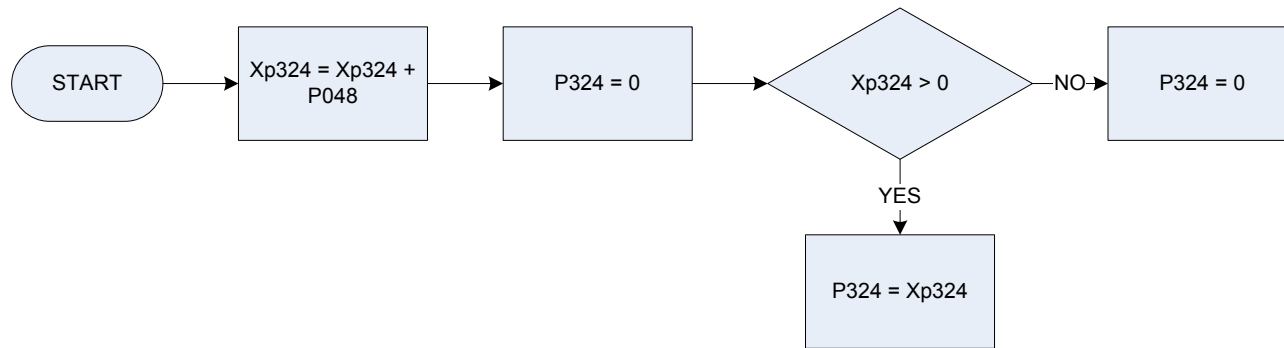
P320 - Income from self-employment - household



KEY

P037	Income from subsidiary self-employment (person level)
P047	Income from self-employment (main) (person level)
Xp320	Temporary variable used in calculations - The sum of all Income from self-employment received by household members (P037, P047)

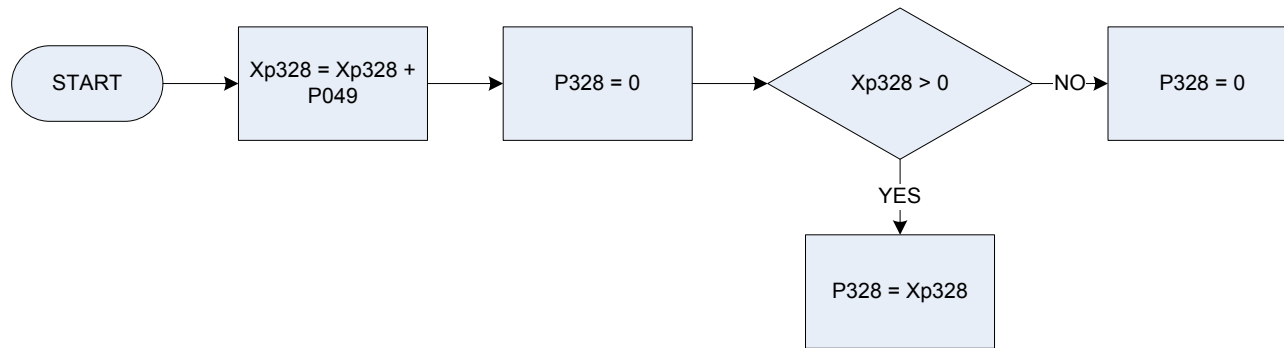
P324 - Income from investments - household



KEY

P048 Income from investments (person level)
Xp324 Temporary variable used in calculations - The sum of all income from investments received by household members (P048)

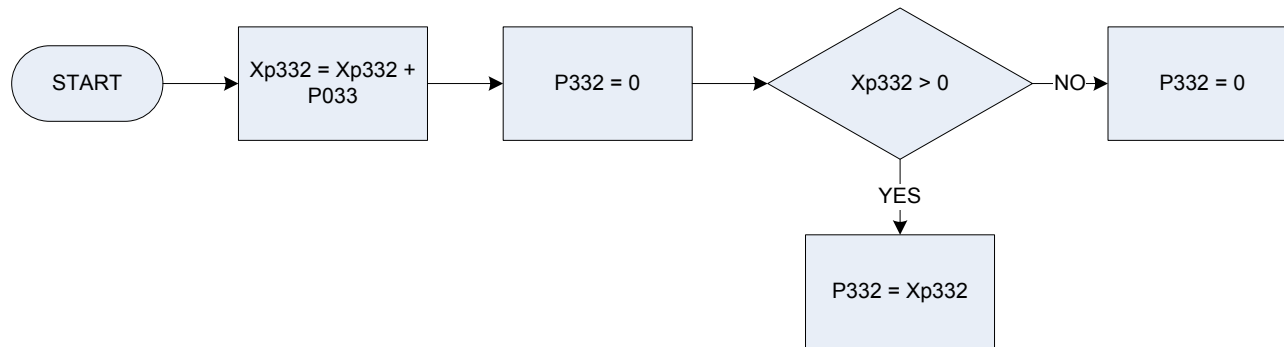
P328 - Income from annuities, pensions - household



KEY

P049 Income from pensions, annuities (person level)
Xp328 Temporary variable used in calculations - The sum of all income from annuities, pensions received by household members (P049)

P332 – Social security retirement / old age / widows pension - household



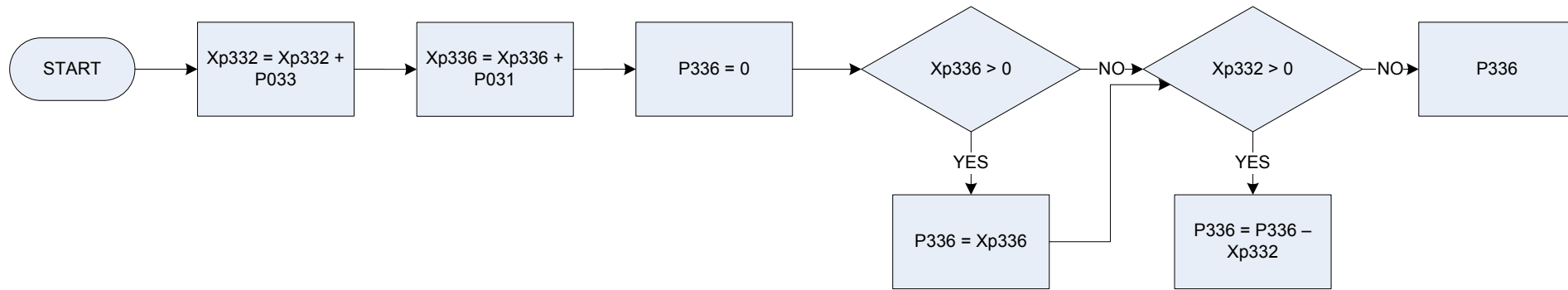
KEY

P033
Xp332

Social security retirement, old age, widows pensions (person level)

Temporary variable used in calculations - The sum of all income from social security retirement/ old age/ widows pensions received by household members (P033)

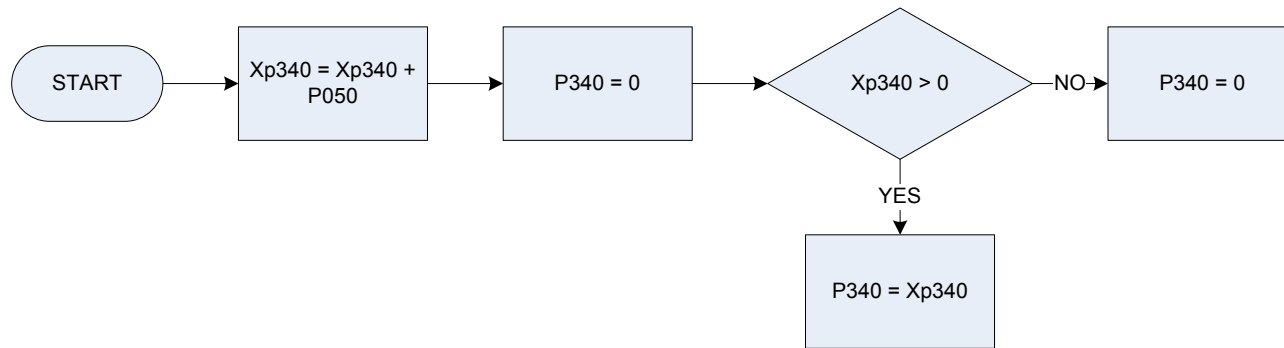
P336 - Other social security benefits - household



KEY

Xp336	Temporary variable used in calculations - The sum of all social security benefits included in income calculations received by household members (P031)
Xp332	Temporary variable used in calculations - The sum of all social security retirement / old age / widow pensions received by household members (P033)
P031	Social security benefits included in income calculations (person level)
P033	Social security retirement, old age, widows pensions (person level)

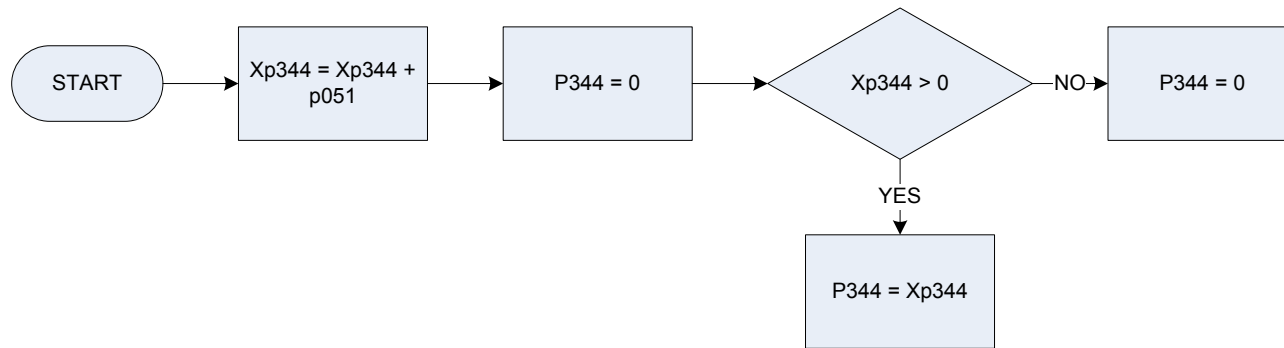
P340 - Income from other sources - household



KEY

P050 Income from other sources (person level)
Xp340 Temporary variable used in calculations -The sum of all income from other sources received by household members (P050)

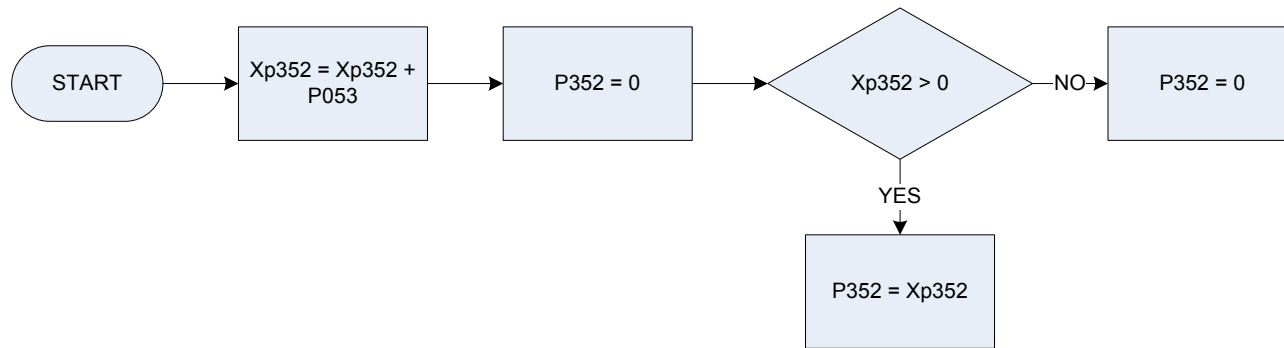
P344 - Gross normal weekly household income



KEY

P051 Total personal gross income (normal) (person level)
Xp344 Temporary variable used in calculations - The sum of all total personal gross incomes (normal) for household members (P051)

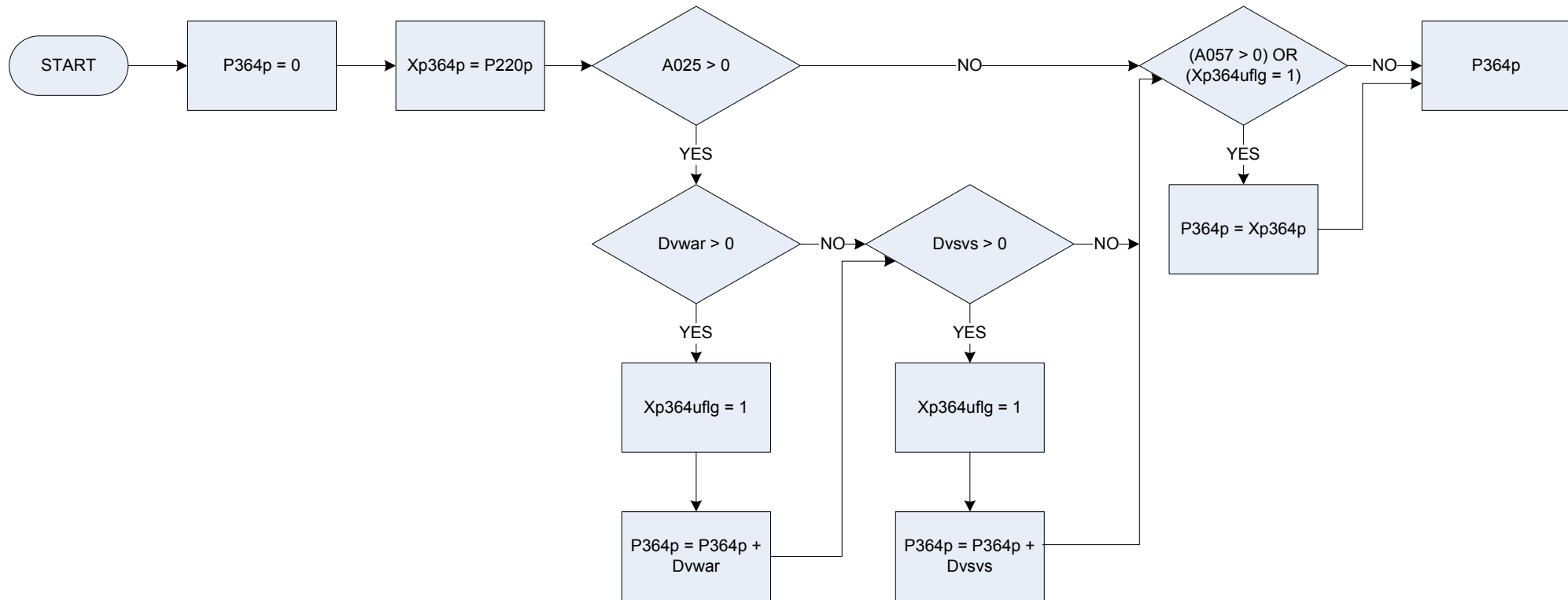
P352 - Gross current income of household



KEY

P053 Total personal gross income (current) (person level)
Xp352 Temporary variable used in calculations - The sum of all personal gross incomes (current) received by household members (P053)

P364p - Pensioner income (DE definition) – anonymised *

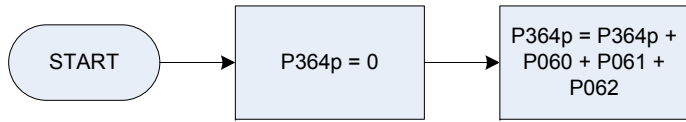


KEY

- A025** No of male adults – age 60 but under 65
- A057** Men 65+ women 60+ economically active
- DvWar** Derived from AMTBENX to give a weekly average for war disablement pension (AMTBENX- What was the amount of benefit last received?)
- Dvsvs** Derived from AMTBENX to give a weekly average for severe disablement benefit (AMTBENX- What was the amount of benefit last received?)p
- P220p** Rent/rate/council tax rebate or allowance - anonymised
- Xp364uflg** Temporary variable used in calculations - Receiving income dvwar/dvsvs?
- XP364p** Temporary variable used in calculations - Rent | rate | council tax rebate or allowance

*See also P364p - Pensioner income (DE definition) – anonymised - for partial cases

P364p - Pensioner income (DE definition) – anonymised – for partial cases*

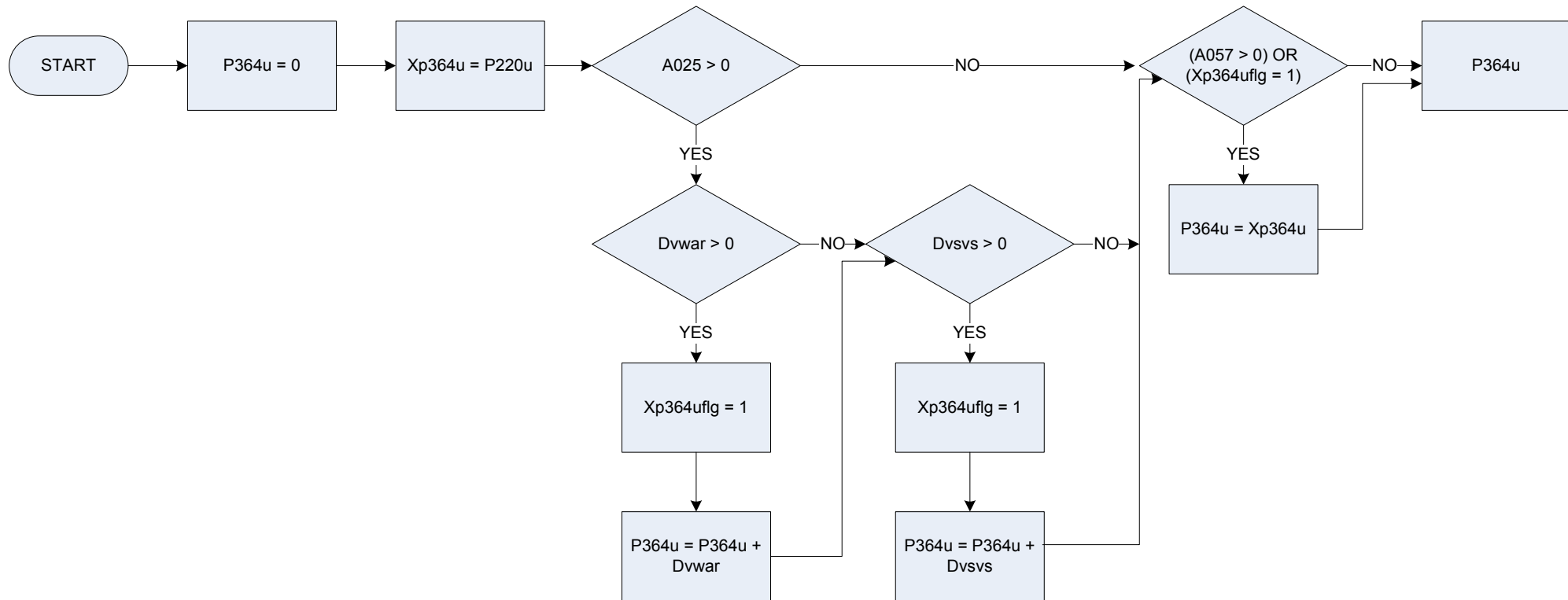


KEY

- P060** Pensioner income - male, age 60 – 64
- P061** Pensioner income-disregarding 13 week rule
- P062** Pensioner income male - applying 13 week rule

*See also P364p - Pensioner income (DE definition) – anonymised

P364u - Pensioner income (DE definition) – unanonymised *

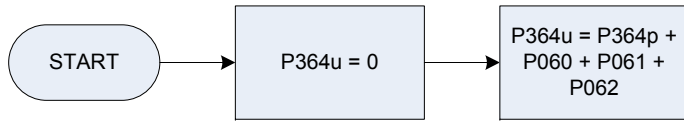


KEY

A025	No of male adults – age 60 but under 65
A057	Men 65+ women 60+ economically active
DvWar	Derived from AMTBENX to give a weekly average for war disablement pension (AMTBENX- What was the amount of benefit last received?)
Dvsvs	Derived from AMTBENX to give a weekly average for severe disablement benefit (AMTBENX- What was the amount of benefit last received?)
P220u	Rent/rate/council tax rebate or allowance - unanonymised
Xp364uflg	Temporary variable - Receiving income dvwar/dvsvs?
XP364u	Temporary variable (P220u) - Rent rate council tax rebate or allowance

*See also P364u - Pensioner income (DE definition) – unanonymised - for partial cases

P364u - Pensioner income (DE definition) – unanonymised – for partial cases*

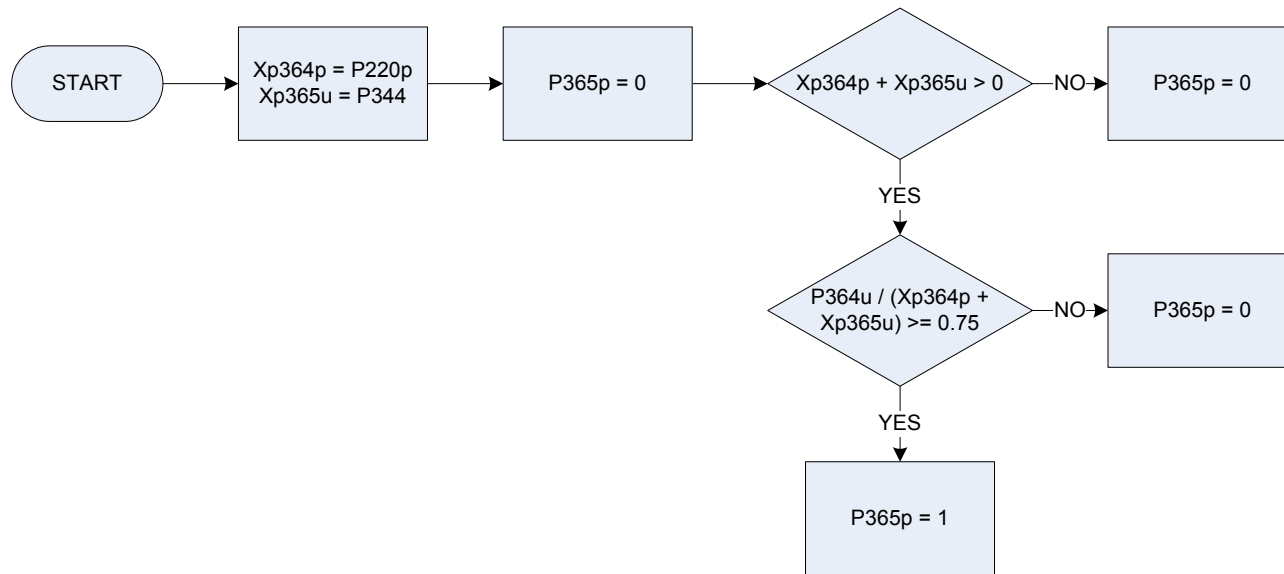


KEY

P060	Pensioner income - male, age 60 – 64
P061	Pensioner income-disregarding 13 week rule
P062	Pensioner income male - applying 13 week rule

*See also P364u - Pensioner income (DE definition) – unanonymised

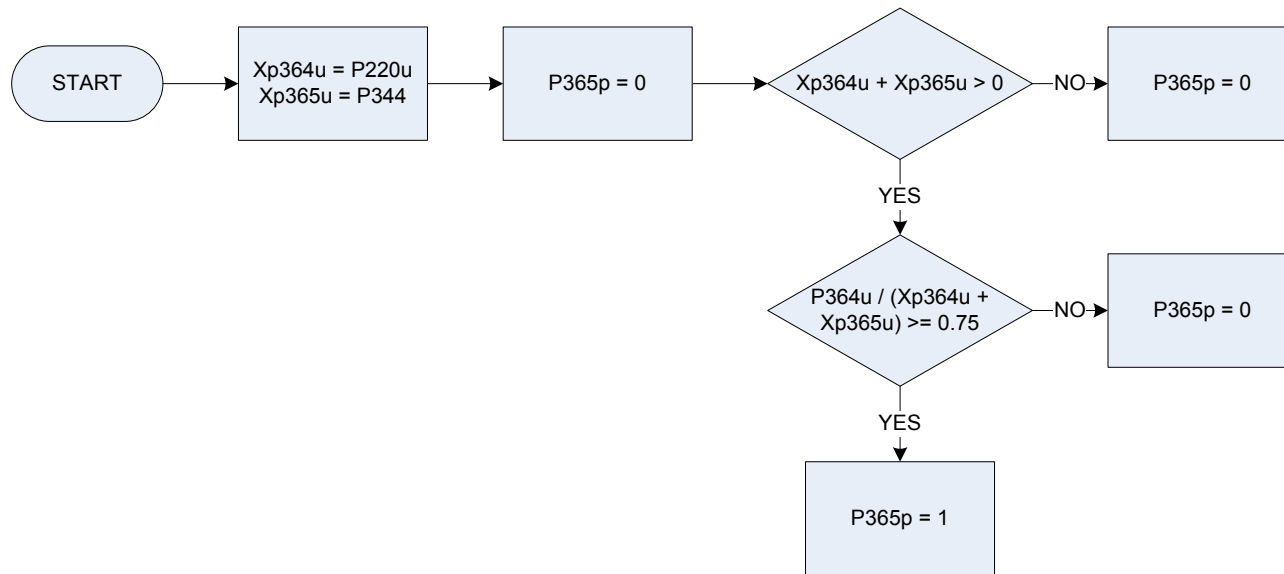
P365p - Pensioner or non-pensioner household – anonymised



KEY

P365p	Pensioner or non-pensioner household
0	No
1	Yes
P364p	Pensioner income (DE definition)
P220p	Rent rate council tax rebate or allowance
P344	Gross normal weekly household income
Xp364p	Temporary variable used in calculations - Pensioner income (DE definition) – anonymised
Xp365u	Temporary variable used in calculations - Pensioner or non-pensioner household - unanonymised

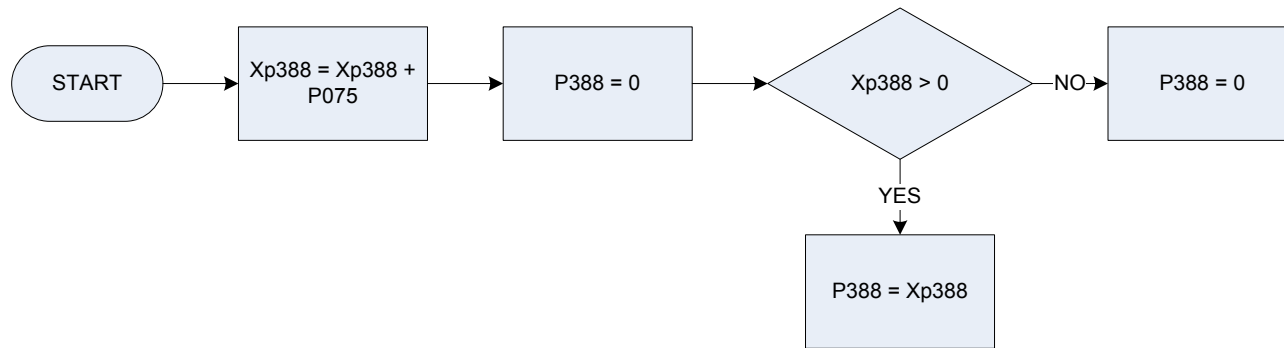
P365u - Pensioner or non-pensioner household - unanonymised



KEY

P365u	Pensioner or non-pensioner household
0	No
1	Yes
P364u	Pensioner income (DE definition)
P220u	Rent rate council tax rebate or allowance
P344	Gross normal weekly household income
Xp364u	Temporary variable used in calculations -Pensioner income (DE definition) – unanonymised
Xp365u	Temporary variable used in calculations -Pensioner or non-pensioner household - unanonymised

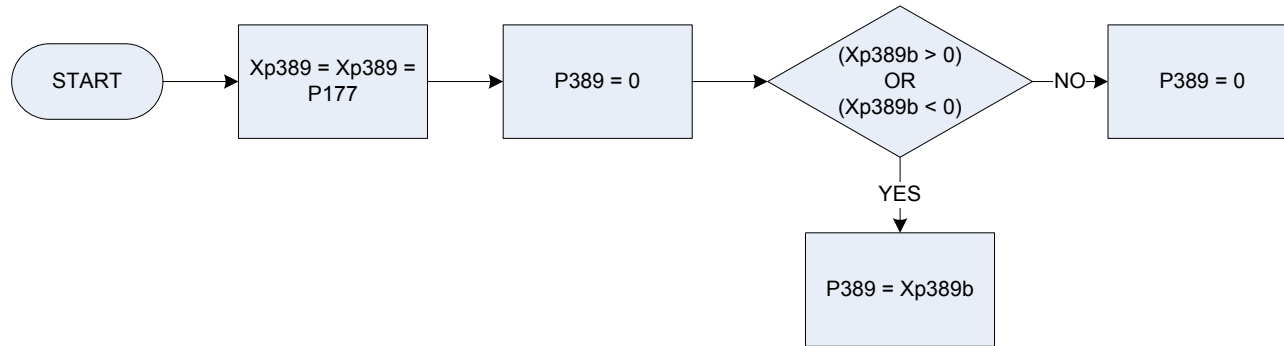
P388 - NI employees contribution - current



KEY

P075 NI employees contribution (current) (person level)
Xp388 Temporary variable used in calculations - The sum of all NI employees contributions (current) made by household members (P075)

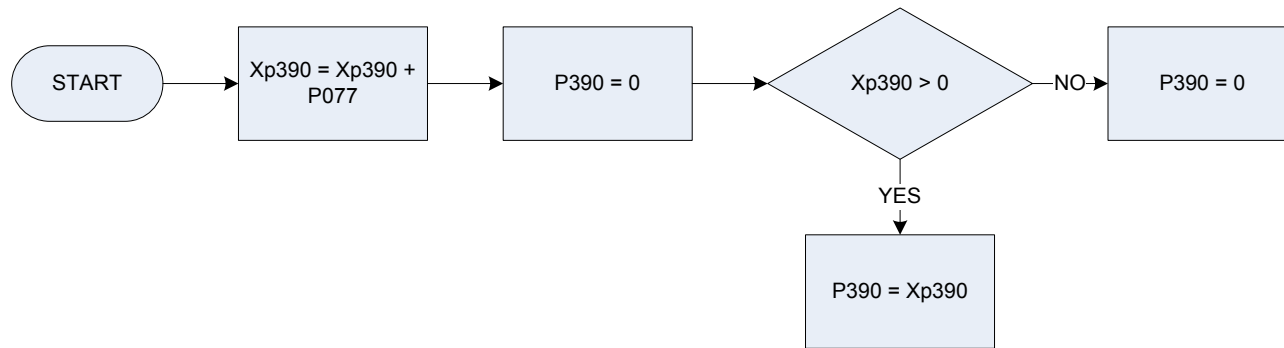
P389 - Normal weekly disposable household income



KEY

P177 Personal gross income, less tax & National Insurance (person level)
Xp389b Temporary variable used in calculations -The sum of all personal gross incomes, less tax and NI, received by household members (P177)

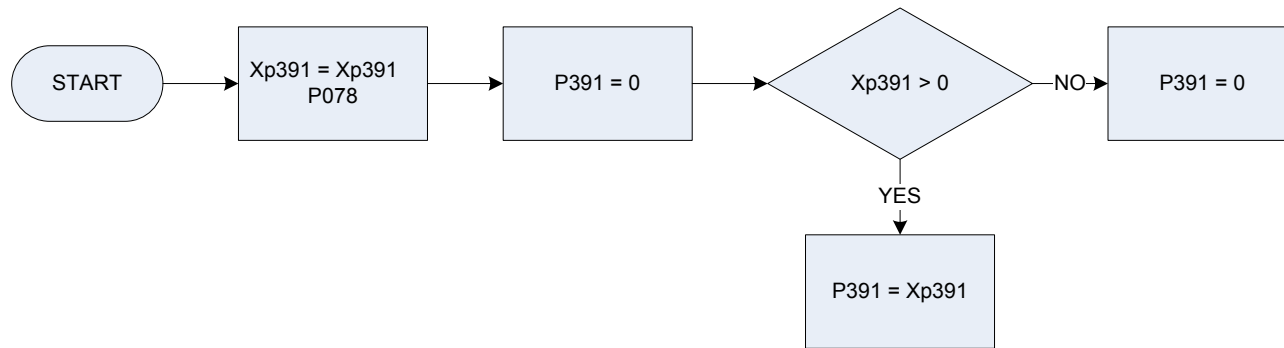
P390 - Income tax paid by employees under PAYE



KEY

P077 Paye tax deduction - current (person level)
Xp390 Temporary variable used in calculations - The sum of all paye tax deductions made for household members (P077)

P391 - Income tax refunds under PAYE

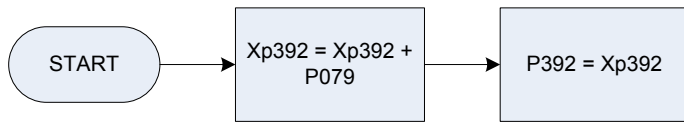


KEY

P078
Xp391

Paye tax refund - current (person level)
Temporary variable used in calculations - The sum of all Paye tax refunds made to household members (P078)

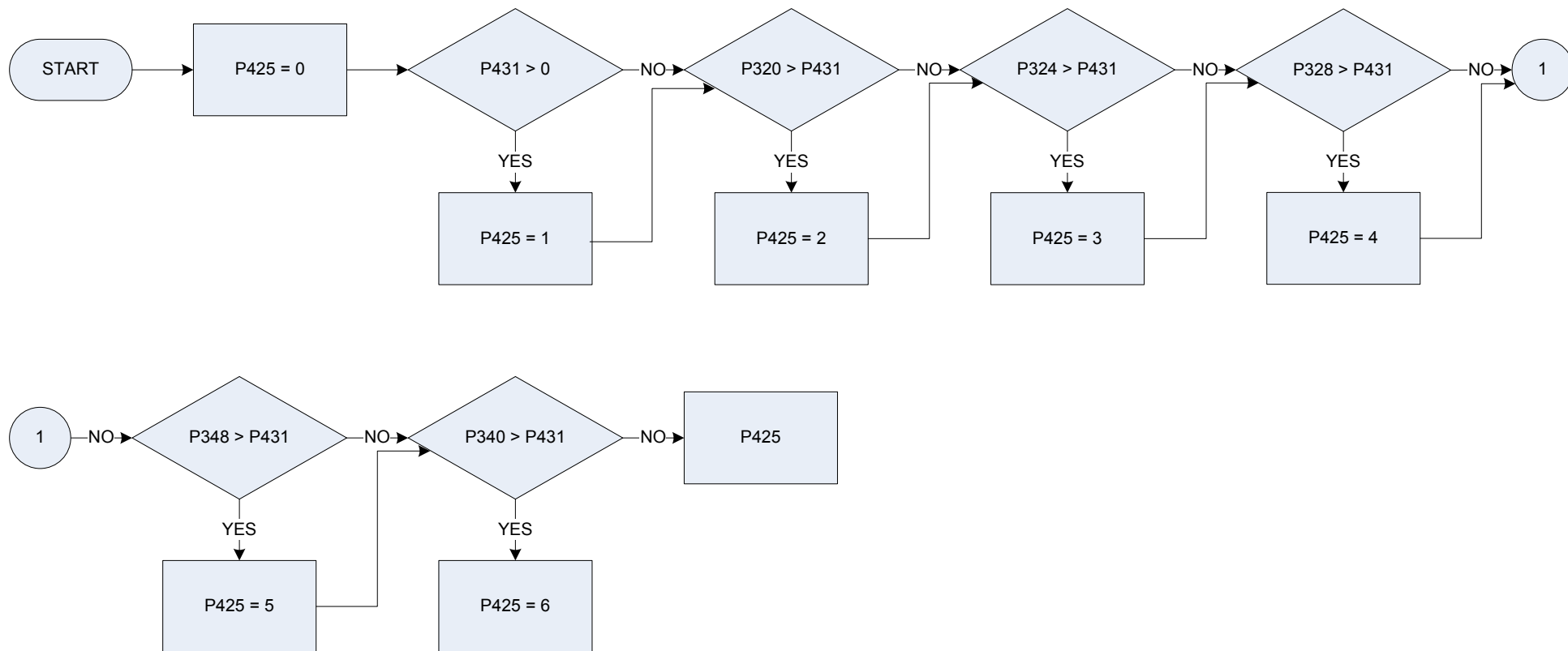
P392 - Income tax, payments less refunds



KEY

P079 Income tax payments less refunds (person level)
Xp392 Temporary variable used in calculations - The sum of all income tax payments less refunds made by household members (P079)

P425 - Main source of household income – code



KEY

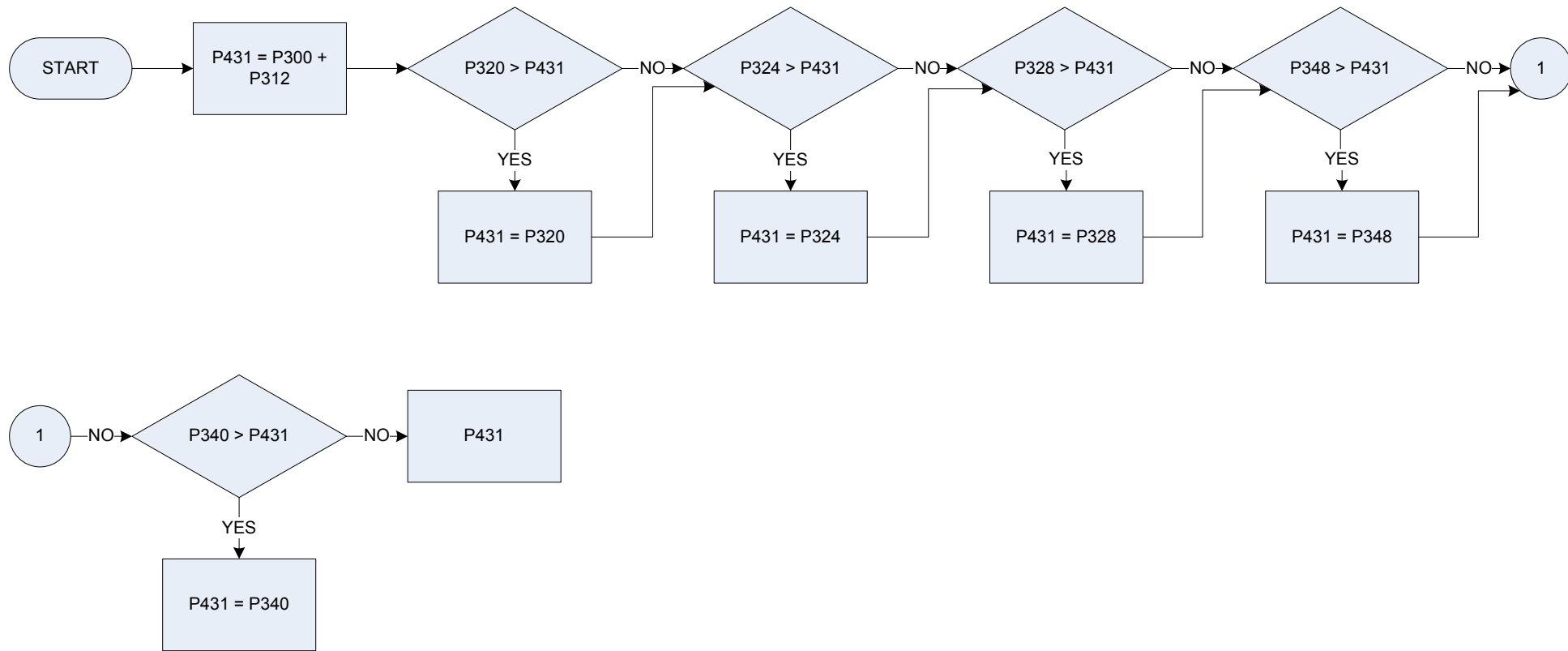
P312	Gross wage / salary last time paid (subsidiary) – household
P320	Income from self-employment – household
P324	Income from investments – household
P328	Income from annuities, pensions – household
P348	Social security benefits – household
P340	Income from other sources – household
P431	Main source of household income - value

P425

Main source of household income – code

0	Not recorded
1	Wages salaries
2	Self-employment inc.
3	Investment income
4	Annuities pensions
5	Social sec. benefits
6	Income-other sources

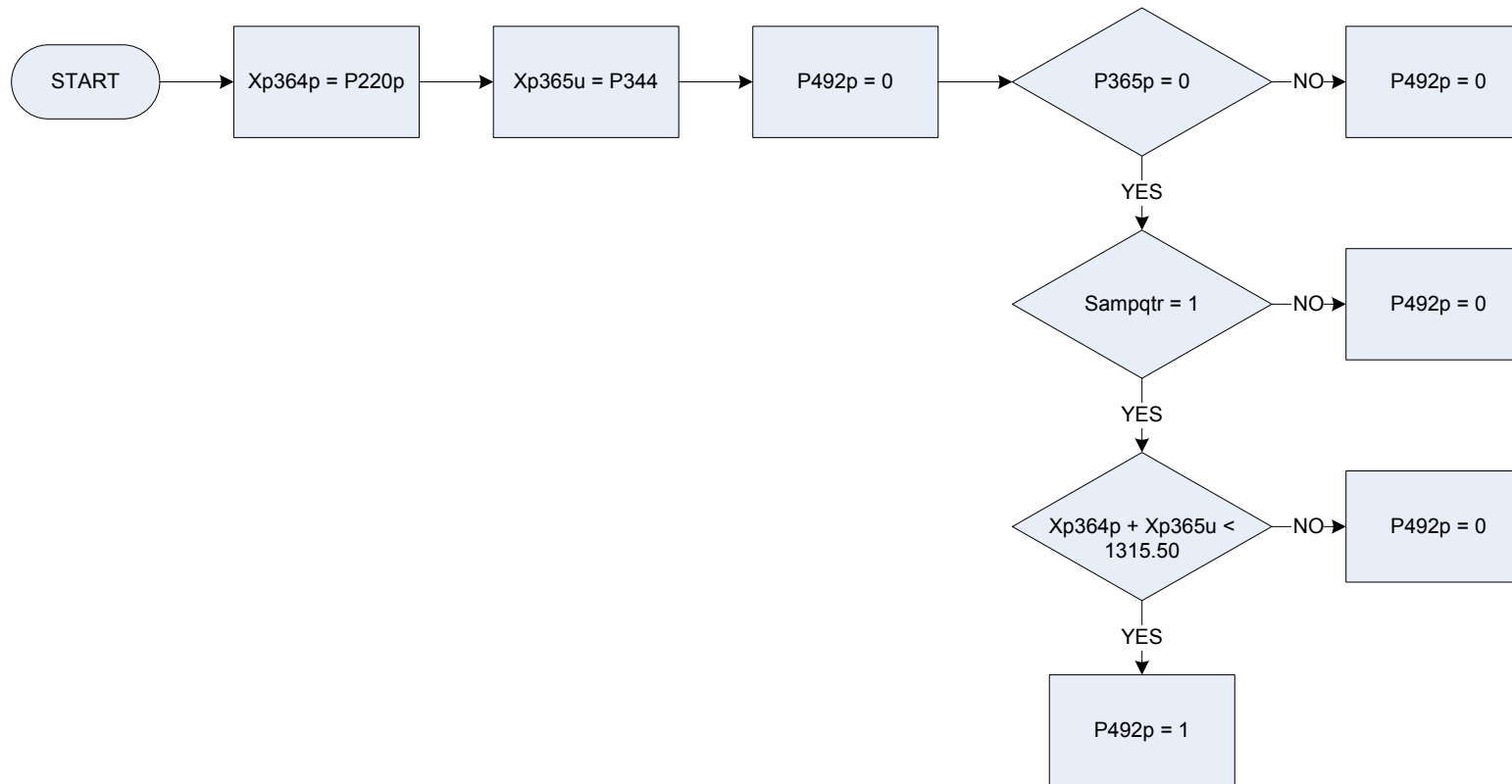
P431 - Main source of household income - value



KEY

P300	Normal gross wage / salary (main), household – 13 week rule
P312	Gross wage / salary last time paid (subsidiary) – household
P320	Income from self-employment – household
P324	Income from investments – household
P328	Income from annuities, pensions – household
P348	Social security benefits – household
P340	Income from other sources - household

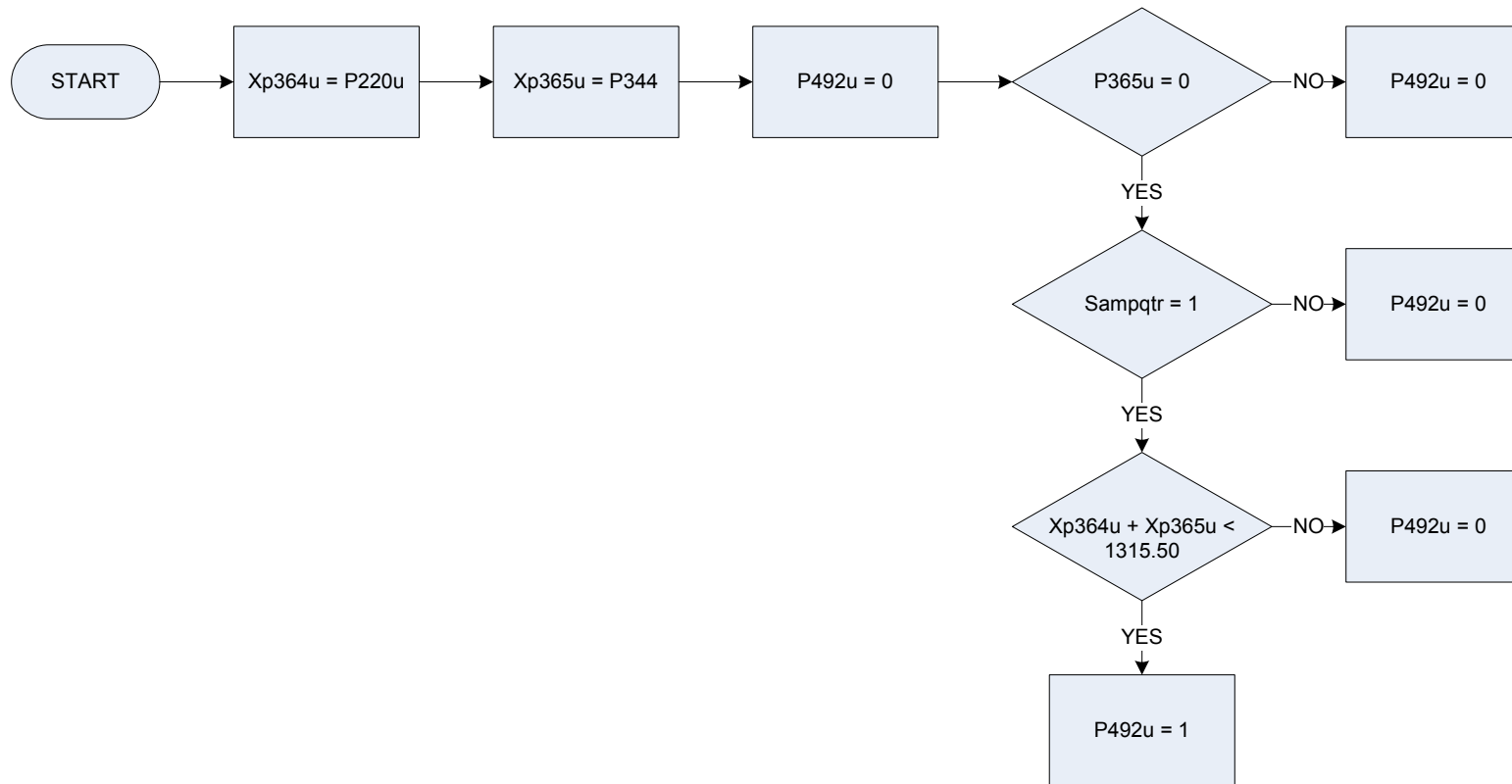
P492p - Index household – anonymised



KEY

P220p	Rent rate council tax rebate or allowance
P344	Gross normal weekly household income
P365p	Pensioner or non-pensioner household
Xp364p	Temporary variable used in calculations - Pensioner income (DE definition)
Xp365u	Temporary variable used in calculations - Pensioner or non-pensioner household
Sampqtr	Sample quarter

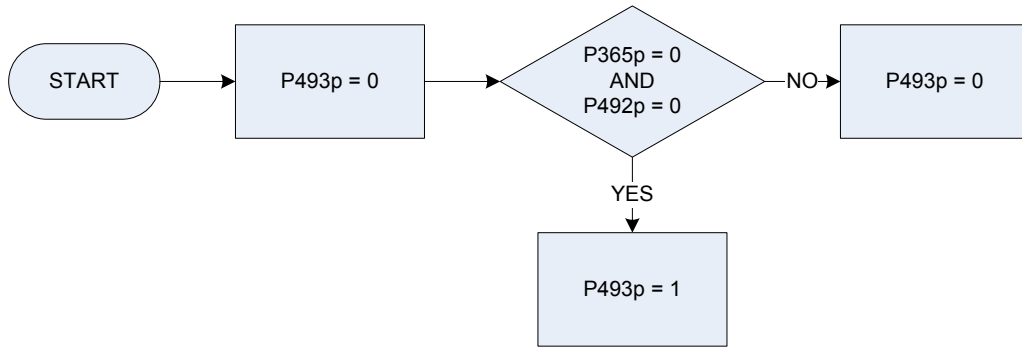
P492u - Index household – unanonymised



KEY

P364u	Pensioner income (DE definition)
P220u	Rent rate council tax rebate or allowance
P365u	Pensioner or non-pensioner household
Xp364u	Temporary variable used in calculations - Pensioner income (DE definition)
Xp365u	Temporary variable used in calculations - Pensioner or non-pensioner household
Sampqtr	Sample quarter

P493p - Wealthy household – anonymised

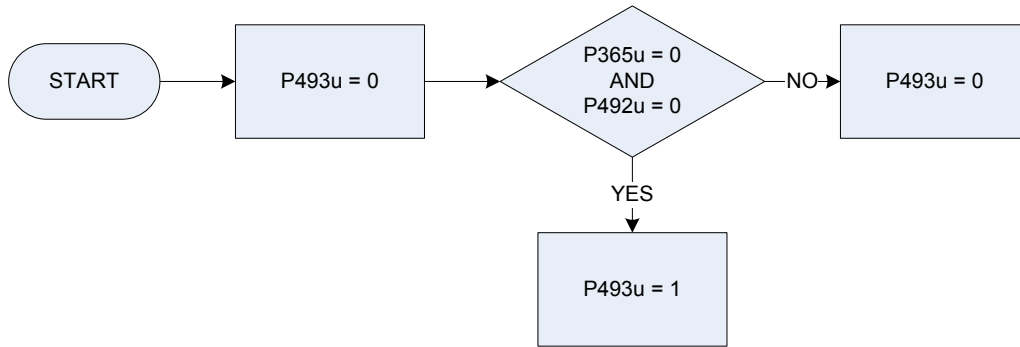


KEY

P365p
P492p

Pensioner or non-pensioner household - anonymised
Index household – anonymised

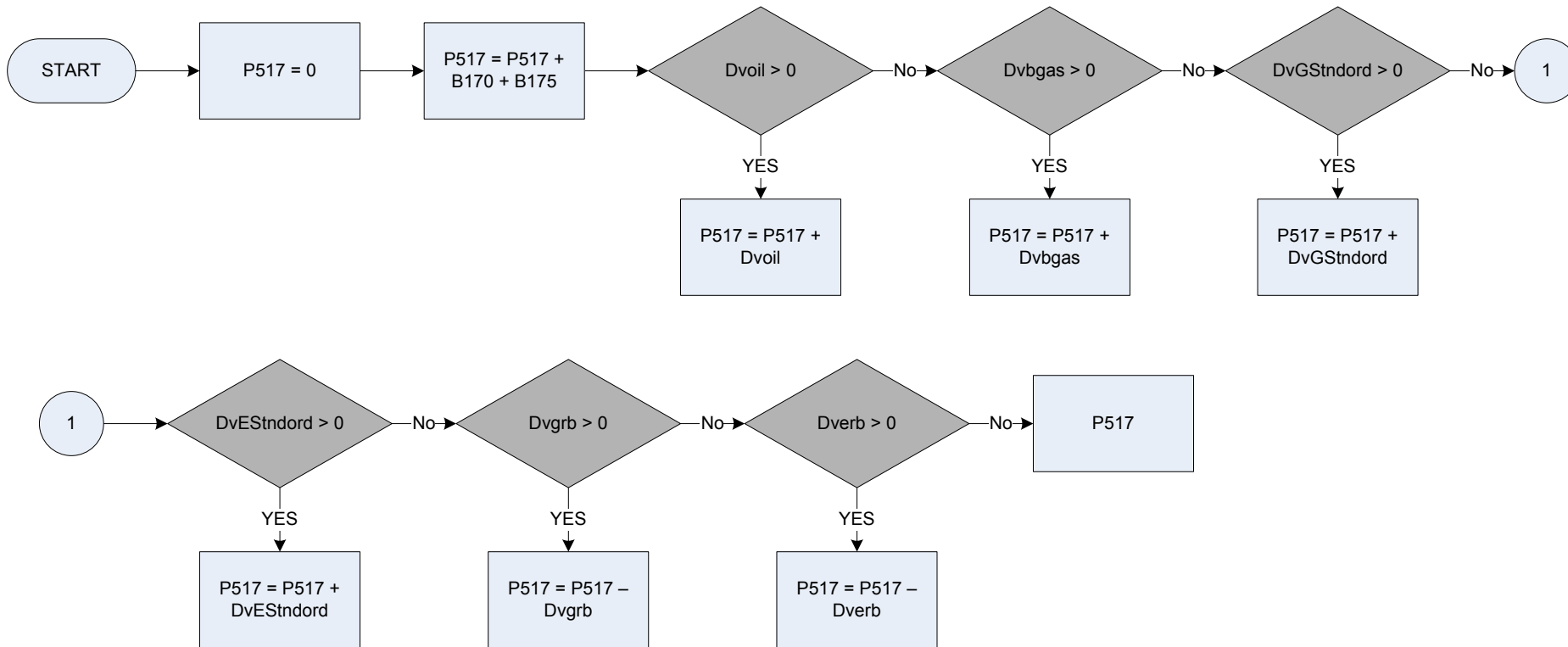
P493u - Wealthy household – unanonymised



KEY

P365u Pensioner or non-pensioner household - unanonymised
P492u Index household – unanonymised

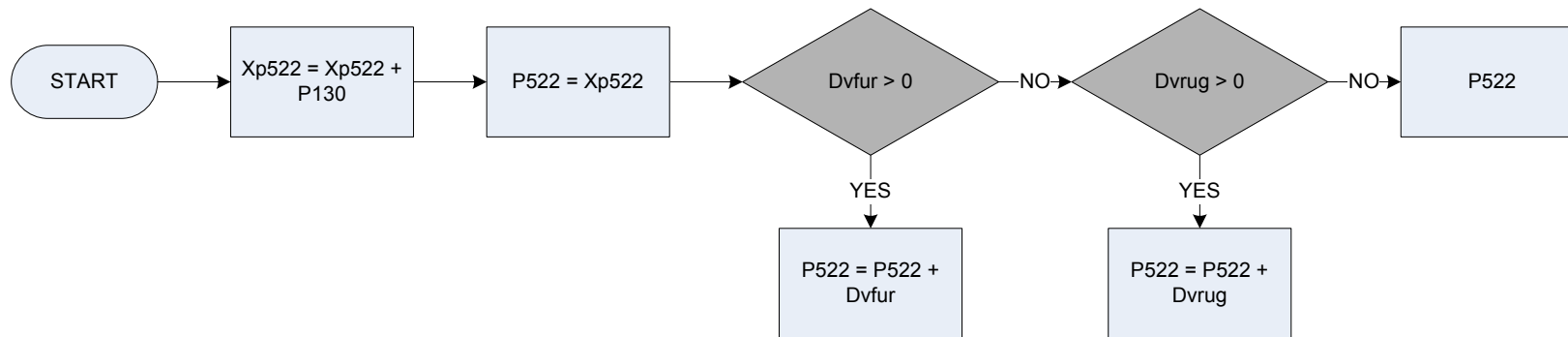
P517 – Fuel, light & power



KEY

Dvoil	Derived from OilAmt to give a weekly amount – (OilAmt - What was the total expenditure on oil in the last 3 months?)
Dvbgas	Derived from BGasAmt to give a weekly amount – (BGasAmt - What was the total expenditure on bottled gas in the last 3 months?)
DvGStndord	Derived from GStndordAmt to give a weekly amount – (GStndordAmt - Gas: How much was the respondent's last standing order payment?)
DvEStndord	Derived from EStndordAmt to give a weekly amount – (EStndordAmt - Electricity: How much was the respondent's last standing order payment?)
Dvgrb	Derived from GRbtAmt to give a weekly amount – (GRbtAmt - Gas: How much was the last rebate before any deductions for hire purchase or credit sale?)
Dverb	Derived from ERbtAmt to give a weekly amount – (ERbtAmt - Electricity: How much was the last rebate before any deductions for hire purchase or credit sale?)

P522 – Household goods



KEY

DvFur
DvRug
P130
Xp522

Derived from FurnAmt to give a weekly amount – (*FurnAmt* - In the last 3 months, what is the total the respondent paid for furniture, excluding any interest paid on loans?)
Derived from RugAmt to give a weekly amount – (*FurnAmt* - In the last 3 months, what is the total the respondent paid for carpets excluding any interest paid on loans?)
Household goods (RPI) - personal expenditure (Person level)
Temporary variable used in calculations – The sum of all personal expenditure on household goods by household members (P130)

Section Four:

Flowcharts – Loan transactions

Set 86 - Loan Transactions

loanno - Loan Number

Itemnum - Item number

A100 - Instalment credit / loan - type

b239L - Instalment credit / loan - cash price

b241L - Loan - part exchange (last 3 mnths only)

b242L - Loan - wev deposit (last 3 mnths only)

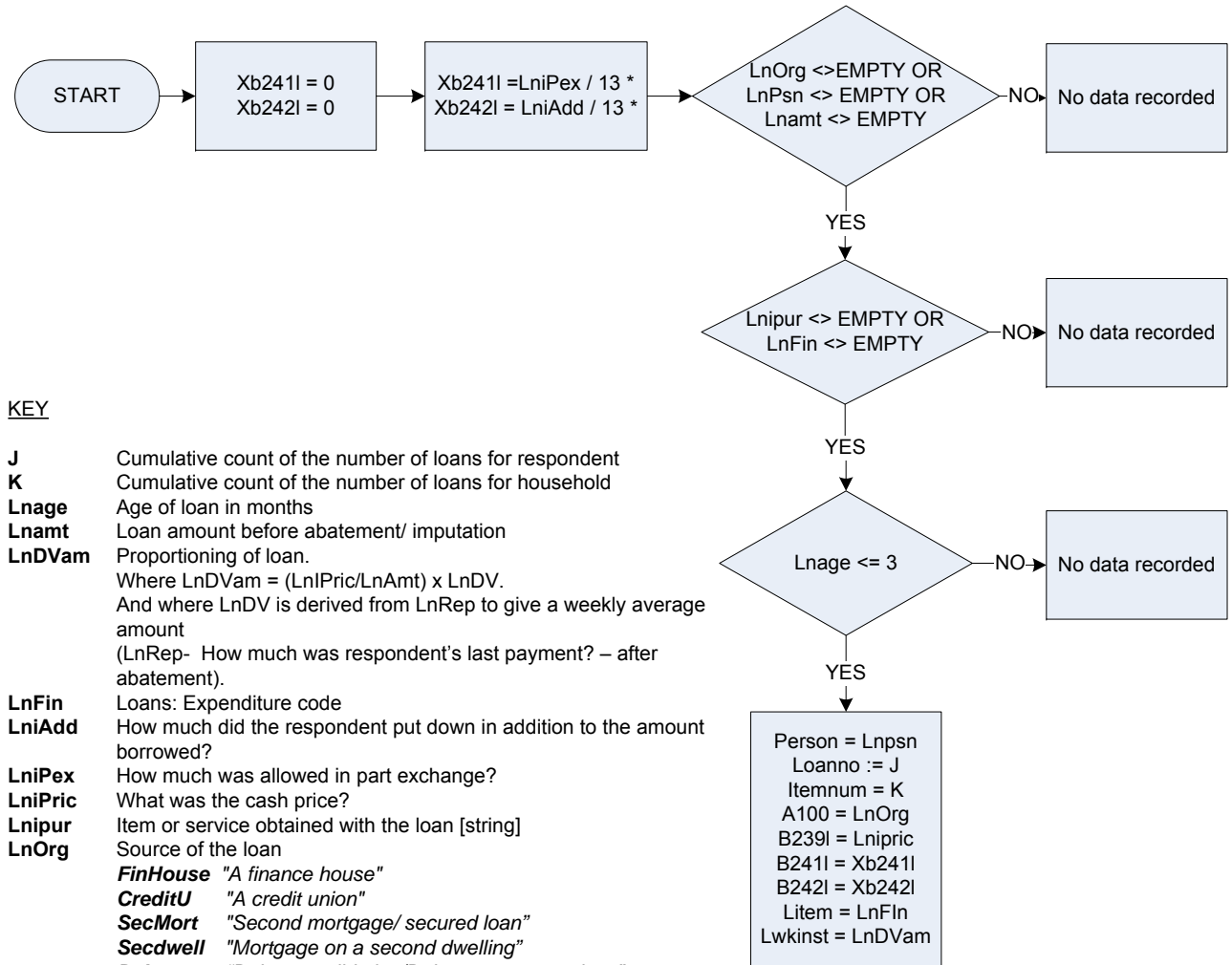
Litem - Expenditure Code for item acquired

Lwkinst - Instalment credit / loan - type

Further notes on Set 86

Set 86 is an item level DV dataset, one line of data is created for each loan. Therefore:

- If more than one member of the household has indicated they have a loan, then separate records are made for the each person.
- If a member of the household has indicated they have more than one loan, then separate records are made for each loan.
- If no loans are currently held by any members of the household then no records are made.



KEY

J Cumulative count of the number of loans for respondent
K Cumulative count of the number of loans for household
Lnage Age of loan in months
Lnamt Loan amount before abatement/ imputation
LnDVam Proportioning of loan.
 Where $LnDVam = (LnIPric / LnAmt) \times LnDV$.
 And where LnDV is derived from LnRep to give a weekly average amount
 (LnRep - How much was respondent's last payment? – after abatement).
LnFin Loans: Expenditure code
LniAdd How much did the respondent put down in addition to the amount borrowed?
LniPex How much was allowed in part exchange?
LnIPric What was the cash price?
Lnipur Item or service obtained with the loan [string]
LnOrg Source of the loan

FinHouse "A finance house"
CreditU "A credit union"
SecMort "Second mortgage/ secured loan"
Secdwell "Mortgage on a second dwelling"
Debtcon "Debt consolidation/Debt management loan"
PersBank "A bank for a personal loan"
PersBuild "A building society for a personal loan"
Super "Supermarket/High street for a personal loan"
Inter "Internet provider for a personal loan"
Employer "Employer as repayment of a loan"
DWP "Social Fund"
Student "Repayment of a student loan"

Lnpsn Who makes the payments?
Person Person Number
Xb241l Temporary variable used in calculations - How much was allowed in part exchange? *
Xb242l Temporary variable used in calculations - How much did the respondent put down in addition to the amount borrowed? *

* Figures are divided by 13 because there are 13 weeks in a 3 month period

Section Five:

Flowcharts - Hire purchase transactions

Set 88 – Hire purchase (HP) transactions

hpagqual - HP agree before/after first instalment paid

hpagrno - HP - item number *

b239h - HP - cash price

b241h - HP - part exchange (last 3 months only)

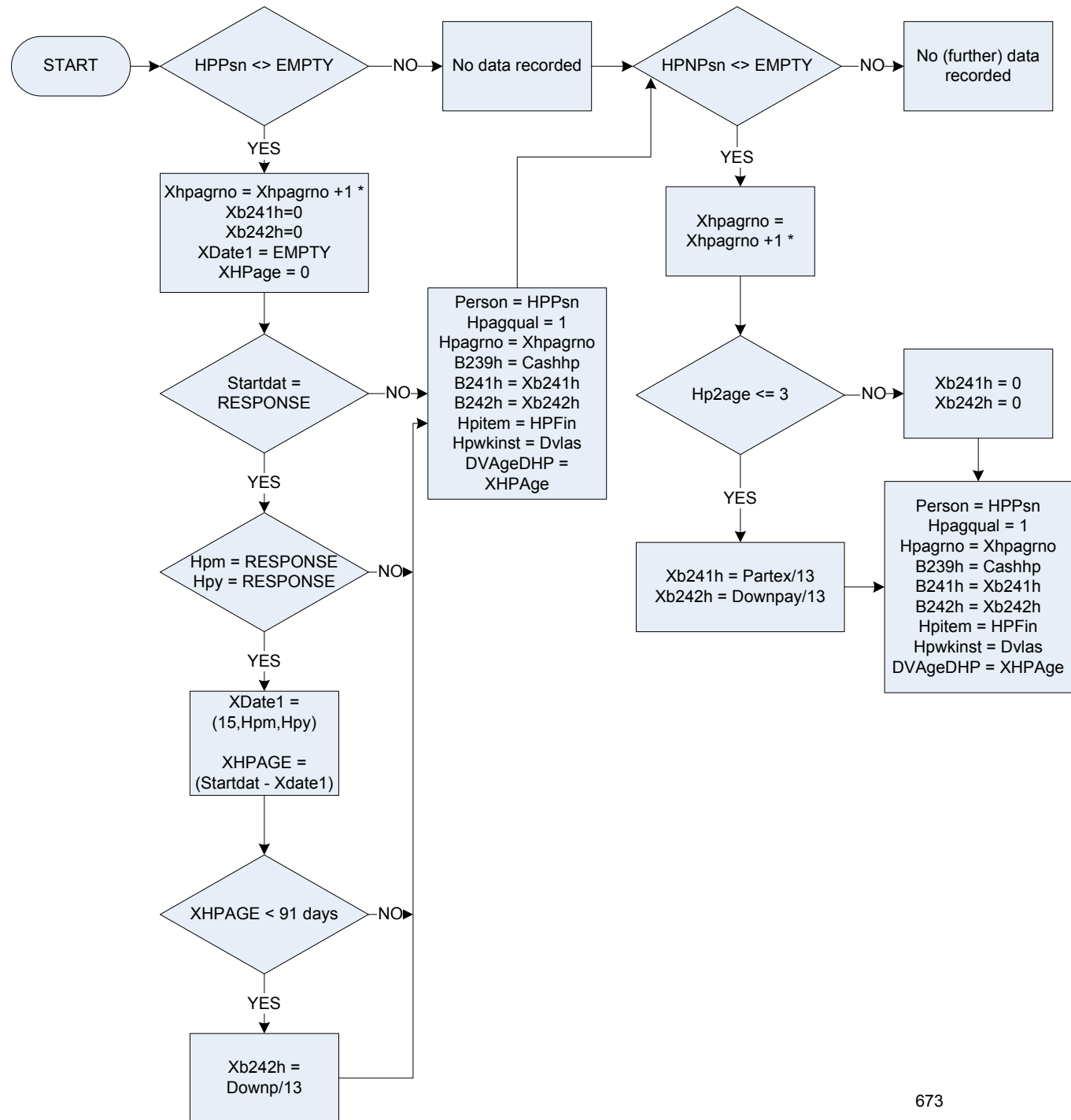
b241h - HP - part exchange (last 3 months only)

b242h - HP - wev deposit paid (last 3 mths only)

*If more than one member of the household has a HP agreement then these are added to the total for hpagrno.

KEY

Cashhp	What was the cash price?
Downpay	How much was the down payment?
Dvlas	Derived from Lpay to give a weekly average (Lpay- How much was the last instalment?)
Hp2age	How long ago the item was obtained (in months)
HP2Fin	Expenditure code for item obtained
HPFin	Expenditure code for item obtained
Hpm	When did you obtain the item or service? (month) <i>1-12 January-December</i>
HPPPrice	What was the cash price?
HpPsn	Who entered this agreement?
Hpy	When did you obtain the item or service? (year)
Partex	How much was allowed in part exchange?
Startdat	Date interview with this household was started
Xb241h	Temporary variable used in calculations - HP part exchange (last 3 months only)
Xb242h	Temporary variable used in calculations - wev deposit paid (last 3 months only)
Xdate1	Temporary variable used in calculations – date that loan was taken out
XHPAGE	Temporary variable used in calculations – Number of days since loan was taken out (Startdat - XHPAGE)
Xhpagrno	Temporary variable – HP agree before after first instalment paid



Section Six:

Product codes - Person level

Variable	Label		
P116	Housing - personal expenditure.	E55212; E51112; E55211; E43111; E43112; E56125; EK1315.	Door, electrical and other fittings eg hook, socket; Purchase of materials for capital improvements eg bricks, slates, etc.
P116c	Housing - personal expenditure	E55212; E55211; E43111; E43112; E56125; EK1315; E43212.	Door, electrical and other fittings eg hook, socket; Small tools eg hammer, spanner, saw; Paint, wallpaper, timber, plaster; Equipment hire, small materials incl putty, sandpaper, sealant; Nails, nuts, bolts, washers, masking tape, glue etc; Purchase of materials for capital improvements eg bricks, slates, etc; Other services eg decorating, plumbing, roof repair.
P117	Fuel etc - personal expenditure.	E45214; E45114; E45411; E45222; E45312; E45112; E45412; E45212; E45511.	Gas slot meter payment; Wood and Peat incl firewood, logs; Second dwelling gas account payments; Hot water, steam and ice.
P117c	Fuel etc - personal expenditure.	E45214; E45114; E45411; E45222; E45312; E45412; E45511.	Gas slot meter payment; Electricity slot meter payment; Coal and coke incl barbecue fuel, briquettes; Other bottled gas (eg propane, calor, camping); Paraffin and other liquid fuels; Wood and Peat incl firewood, logs; Hot water, steam and ice.
P118	Food - personal expenditure		Due to the large number of codes P118 contains, it has been documented separately and can be found at the end of this Section Six.
P118c	Food - personal expenditure		Due to the large number of codes P118c contains, it has been documented separately and can be found at the end of this Section Six.

P119	Alcoholic drink - personal expenditure.	E14111; E14112; E14113; E14211; E14213; E14214; E14215; E14212; E14311; E14312; EP3111; EP3112; EP3113; EP3114; EP3211; EP3213; EP3214; EP3215; EP3216; EP3212; EP3311; EP3312; EP3313; EP3314; EP3411.	Spirits eg gin, vodka, whiskey; Alcopops, alcoholic soft drinks eg Bacardi Breezer, Smirnoff Ice, Hooch; Champagne & sparkling wines; wine with mixer eg Bucks Fizz; Beers incl pale ale, stout, Guinness; Lagers & continental beers; Spirits ; Liqueur ; Cocktail ; Spirits/ liqueurs with mixer eg gin & tonic bacardi & coke ; Wines not sparkling incl wine not specified ; Fortified wine eg sherry port vermouth ; Cider or Perry half pint/ bottle ; Cider pint/ can/ size not specified ; Alcoholic soft drinks alcopop and ready-mixed bottled drinks ; Sparkling wines eg Champagne; Wine with mixer eg Bucks Fizz ; Bitter - half pint/ bottle ; Bitter - pint/ can / size not specified ; Lager/ other beers/ 'beer' nor specified - half pint/ bottle ; Lager/ other beers/ 'beer' nor specified - pint/ can/ size not specified ; Round of drinks alcohol not specified.
P119c	Alcoholic drink - personal expenditure.	E14111; E14112; E14113; E14211; E14213; E14214; E14215; E14212; E14311; E14312; EP3111; EP3112; EP3113; EP3114; EP3211; EP3213; EP3214; EP3215; EP3216; EP3212; EP3311; EP3312; EP3313; EP3314; EP3411.	Spirits eg gin, vodka, whiskey; Liqueurs & cocktails eg Baileys, Daiquiri; Spirits with mixer eg ready-to-drink gin & tonic; Table wine incl wine not specified; Fortified wine - port, sherry, vermouth, Cinzano, Martini; Ciders and Perry incl Babycham; Alcopops, alcoholic soft drinks eg Bacardi Breezer, Smirnoff Ice, Hooch; Champagne & sparkling wines; wine with mixer eg Bucks Fizz; Beers incl pale ale, stout, Guinness; Lagers & continental beers; Spirits ; Liqueur ; Cocktail ; Spirits/ liqueurs with mixer eg gin & tonic bacardi & coke ; Wines not sparkling incl wine not specified ; Fortified wine eg sherry port vermouth ; Cider or Perry half pint/ bottle ; Cider pint/ can/ size not specified ; Alcoholic soft drinks alcopop and ready-mixed bottled drinks ; Sparkling wines eg Champagne; Wine with mixer eg Bucks Fizz ; Bitter - half pint/ bottle ; Bitter - pint/ can / size not specified ; Lager/ other beers/ 'beer' nor specified - half pint/ bottle ; Lager/ other beers/ 'beer' nor specified - pint/ can/ size not specified ; Round of drinks alcohol not specified.
P120	Tobacco - personal expenditure.	E21111; E21121; E21131; E22111.	Cigarettes & cigarette papers.
P120c	Tobacco - personal expenditure.	E21111; E21121; E21131; E22111.	Cigarettes & cigarette papers; Cigars & snuff; Other tobacco eg pipe tobacco, hand-rolled, chewing; Narcotics & drugs.

P121	Clothing, footwear - personal expenditure.	E31211; E31221; E31231; E31232; E31233; E31212; E31222; E31234; E31311; E31312; E31313; E32111; E32121; E32131; E31314; E56124; E31111; E31411.	Mens outerwear eg coat, shirt, trousers, jumper; Womens underwear incl socks, tights, pyjamas, lingerie; Childrens underwear (15 yrs or under) eg sleep suit; Mens accessories eg tie, gloves, belt; Womens accessories eg gloves, scarf; Childrens (15yrs or under) accessories eg bib, gloves, hat; Footwear for men incl trainers, slippers, insoles; Footwear for women incl trainers, slippers, insoles; Footwear for children incl baby boots, wellingtons; Haberdashery eg buttons, thread, wool; Haberdashery eg pins, needles, tape measure; Clothing materials; Clothing hire eg hire of dinner jacket, fancy dress.
P121c	Clothing, footwear - personal expenditure.	E31211; E31221; E31231; E31232; E31233; E31212; E31222; E31234; E31311; E31312; E31313; E32111; E32121; E32131; E31314; E56124; E31111; E31411.	Mens outerwear eg coat, shirt, trousers, jumper; Womens outerwear eg coat, blouse, skirt, leggings; Boys outerwear (aged 5-15 yrs) eg coat, shirt etc; Girls outerwear (aged 5-15 yrs) eg dress, jumper, etc; Infants outerwear (aged 4 yrs or under) eg romper; Mens underwear incl pyjamas, socks, vest; Womens underwear incl socks, tights, pyjamas, lingerie; Childrens underwear (15 yrs or under) eg sleep suit; Mens accessories eg tie, gloves, belt; Womens accessories eg gloves, scarf; Childrens (15yrs or under) accessories eg bib, gloves, hat; Footwear for men incl trainers, slippers, insoles; Footwear for women incl trainers, slippers, insoles; Footwear for children incl baby boots, wellingtons; Haberdashery eg buttons, thread, wool; Haberdashery eg pins, needles, tape measure; Clothing materials; Clothing hire eg hire of dinner jacket, fancy dress.
P126	Miscellaneous - personal expenditure.	EC3221; EK5212; EK5213; EK5214; EK5215; EK5216.	Personal goods not otherwise specified eg pipe, sunglasses, umbrella; Money to children for a specific purpose - pocket money; Money to children for a specific purpose - school dinner and other school food (eg snack at school, juice money, school milk); Money to children for a specific purpose - school travel eg bus fare, train fare; Money to children for a specific purpose - other eg for school club, bus fare (not to school); Cash gifts to children (ie no specific purpose).
P126c	Miscellaneous - personal expenditure.	EC3221; EK5315; EK5511.	Personal goods not otherwise specified eg pipe, sunglasses, umbrella; Club instalment payment; Household items and bills, overdrafts.

P127	Purchase of dwelling & capital improvement.	EK1211; EK1313; EK1314; EK1315; EK1316; EK1411.	Outright purchase of deposit on main dwelling; Central heating installation (DIY); Double glazing, kitchen units, sheds etc; Purchase of materials for capital improvements eg bricks, slates, etc; Bathroom fittings eg bath, taps, toilet seat; Purchase of second dwelling.
P128	Other payments - personal expenditure.	E92112; EK1211; EK1313; EK1314; EK1411; EK2111; EK5111; EK5113; EK5115; EK5116; EK1315; EK1316; EK5316.	Purchase of caravans, mobile homes (incl decorations); Savings, investments (excl AVCs); Additional Voluntary Contributions; Superannuation deduct subsidiary employee job; Widows/Dependents/Orphans Fund; Purchase of materials for capital improvements eg bricks, slates, etc; Bathroom fittings eg bath, taps, toilet seat; Pay off loan to clear other debt.
P128c	Other payments - personal expenditure.	EK5111; EK2111; P029; P071; P075; P079.	Savings, investments (excl AVCs); Food stamps, tea & coffee kitty, Christmas meal fund; NI contributions paid by non - employees; Pension & superannuation contributions - current; NI employees contribution - current; Income tax payments less refunds.
P129	Second dwelling - personal expenditure.	EK1411; E41211; EK1412; E45112; E45212; E83115; E94232; E44112.	Purchase of second dwelling; Second dwelling rent; Council tax, mortgage, structural & contents insurance; Second dwelling electricity account payments; Second dwelling gas account payments; Second dwelling telephone account payments; Second dwelling TV licences; Water supply rates & charges - second dwelling.
P129c	Second dwelling - personal expenditure.	E83115; E94232.	Second dwelling telephone account payments; Second dwelling TV licences.

P130	Household goods (RPI) - personal expenditure.	<p>E51212; E52111; E53211; E52112; E53132; E53121; E53111; E53122; E53133; E53141; E53151; E55112; E55111; E53161; E55214; EC1211; E53311; E53312; EC5213; E53313; E53314; E54131; E54132; E54121; E56123; E56121; E54111; E51113; E93114; E93313; E56122; E53171; E56111; E56112; EC1311; E93411; E93412; E93511; E93212; E93312; E55213; E51114; E53131; E56122; E95411; E95311.</p>	<p>Hard floor coverings eg linoleum, vinyl floor covering; Electric refrigerators and freezers; Dishwasher; Microwave ovens; Heaters, air conditioners, humidifiers, fires & fans; Cleaning equipment eg Hoover, steam carpet cleaner; Lawn mowers; Electrical tools eg saw, drill, hedge cutter; Sewing and knitting machines; Electrical consumables eg batteries, bulb, fuse; Electrical items for personal care eg hair drier, shaver; Gas and electric appliance spare parts; Repairs and insurance for electrical appliances; Insurance for household appliances and extended warranties eg freezer, cooker, camcorder; Repairs and insurance for gas appliances; Rental/hire of household appliances; Kitchen utensils ONLY eg pan, scales, oven dish, tupperware; Other durable household articles incl storage, eg laundry basket, ironing board; Cutlery, flatware and silverware eg knife, fork; Kitchen gloves, cloths, scourers etc; Kitchen disposables eg bin liners, kitchen towel; Glassware, china, pottery eg cup, plate, glass; Fancy & decorative goods inc mirrors, vases; Chrstmas crackers, tinsel and other fancy items; Artificial flowers, pot pourri;</p> <p>Other household items eg brush, dustpan, scissors, duster; Fire extinguisher, water softener, safes, etc; Detergents, washing-up liquid, washing powder; Disinfectants, polishes, other cleaning materials; Toilet paper; Pet food; Pet purchase and accessories; Veterinary and other service for pets; Barbecue equipment and garden swings; Garden decorative eg gnomes, stone garden rabbit; Garden tools and accessories eg barbecues, wheel barrows, trowel, hose; Garden furniture eg deck chair, garden table; Gas cooker; Other household items eg brush, dustpan, scissors, duster; Stationery and drawing materials; Miscellaneous printed matter.</p>
------	---	--	--

P130c	Household goods (RPI) - personal expenditure.	<p>E51111; E51211; E51212; E52111; E53211; E52112; E53132; E53121; E53111; E53122; E53133; E53141; E53151; E55112; E55111; E53211; E53161; E55214; EC1211; E53311; E53312; EC5213; E53313; E53314; E54131; E54132; E54121; E56123; E56121; E54111; E51113; E93114; E93313; E56122; E53171; E56111; E56112; EC1311; E93411; E93412; E93511; E53131; E93212; E93312; E55213; E51114; E95411; E95311; E56122.</p>	<p>Household furniture/ furnishings eg chair, table, light, cupboard; Carpets and rugs; Hard floor coverings eg linoleum, vinyl floor covering; Bedroom textiles eg duvet, pillowcase; Small electric hsehold appliances eg kettle, toaster, iron; Other household textiles eg curtains, towel, cushion; Electric cooker and combined electric/gas; Electric washing machines, spin and tumble dryers; Electric refrigerators and freezers; Dishwasher; Microwave ovens; Heaters, air conditioners, humidifiers, fires & fans; Cleaning equipment eg hoover, steam carpet cleaner; Lawn mowers; Electrical tools eg saw, drill, hedge cutter; Small electric hsehold appliances eg kettle, toaster, iron; Sewing and knitting machines; Electrical consumables eg batteries, bulb, fuse; Electrical items for personal care eg hair drier, shaver; Gas and electric appliance spare parts; Repairs and insurance for electrical appliances; Insurance for household appliances and extended warranties eg freezer, cooker, camcorder; Repairs and insurance for gas appliances; Rental/hire of household appliances; Kitchen utensils ONLY eg pan, scales, oven dish, tupperware; Other durable household articles incl storage, eg laundry basket, ironing board; Cutlery, flatware and silverware eg knife, fork; Kitchen gloves, cloths, scourers etc; Kitchen disposables eg bin liners, kitchen towel; Glassware, china, pottery eg cup, plate, glass; Fancy & decorative goods inc mirrors, vases; Chrstmas crackers, tinsel and other fancy items; Artificial flowers, pot pourri; Other household items eg brush, dustpan, scissors, duster; Fire extinguisher, water softener, safes, etc; Detergents, washing-up liquid, washing powder; Disinfectants, polishes, other cleaning materials; Toilet paper; Pet food; Pet purchase and accessories; Veterinary and other service for pets; Gas cooker; Barbecue equipment and garden swings; Garden decorative eg gnomes, stone garden rabbit; Garden tools and accessories eg barbecues, wheel barrows, trowel, hose; Garden furniture eg deck chair, garden table; Stationery and drawing materials; Miscellaneous printed matter; Other household items eg brush, dustpan, scissors, duster.</p>
-------	---	--	---

P131	Household services (RPI)- personal expenditure.	E56211; E56222; E56223; EC4112; EC4122; EC4121; E31412; E56221; E31413; E32211; EC3112; E51311; E81111; E83112; E83114; EC7116; E94243; E94244; EC6212; EK3111; EC7111; EC7112; EC7115; EC7114; E54141; EB2114; EC7113; E44211; E41211; EK1412; E83115;E44112.	Domestic services, incl cleaners, gardeners, au pairs; Dry cleaners & dyeing; Cleaning of carpets, curtains and household linen; Laundry, laundrettes; Footwear repair & hire; Repairs to personal goods eg watch, jewellery, bag; Furniture recovering and repairs; Postage and poundage eg stamps, registered mail; Payphone and telephone card; Mobile phone - top up cards & other payments; Trade Union and professional organisations; Subscriptions: leisure activities; Other subscriptions; Bank & Post Office counter charges; Stamp duty, licences, fines (excl motoring fines); Legal fees paid to banks; Legal fees paid to solicitors; Other professional fees inc court fines; Funeral expenses; Repair of glassware, tableware, utensils; Room hire eg function room, band room; Other services eg photocopying, newspaper advert; Refuse collection, incl skip hire; Second dwelling rent; Council tax, mortgage, structural & contents insurance; Second dwelling telephone account payments; Water supply rates & charges - second dwelling.
P131c	Household services (RPI)- personal expenditure.	E56211; E56222; E56223; EC4112; EC4122; EC4121; E31412; E56221; E31413; E32211; EC3112; E51311; E81111; E83112; E83114; EC7116; E94243; E94244; EC6212; EK3111; EC7111; EC7112; EC7115; EC7114; E54141; EB2114; EC7113; E44211; E83115.	Domestic services, incl cleaners, gardeners, au pairs; Other household services eg ironing service, window cleaner; Hire of household furniture and furnishings; Home help, home care assistant; Child care payments; Nursery, creche and playschool; Dry cleaners & dyeing; Cleaning of carpets, curtains and household linen; Laundry, laundrettes; Footwear repair & hire; Repairs to personal goods eg watch, jewellery, bag; Furniture recovering and repairs; Postage and poundage eg stamps, registered mail; Payphone and telephone card; Mobile phone - top up cards & other payments; Trade Union and professional organisations; Subscriptions: leisure activities; Other subscriptions; Bank & Post Office counter charges; Stamp duty, licences, fines (excl motoring fines); Legal fees paid to banks; Legal fees paid to solicitors; Other professional fees inc court fines; Funeral expenses; Repair of glassware, tableware, utensils; Room hire eg function room, band room; Other services eg photocopying, newspaper advert; Refuse collection, incl skip hire; Second dwelling telephone account payments.

P132	Personal goods & services (RPI) - personal expenditure.	EC1313; EC1312; EC1314; EC1315; EC1316; EC3111; EC2111; EC3211; EC1317; EC3222; EC3223; E61111; E61112; E61211; E61313; E62111; E62113; E62211; E62321; E62112; E62114; E62212; E62322; E61311; E61312; EC3224; EC1111; E62311; E62331; E63111.	Toilet Soap, liquid soap, shower gel etc; Prostitution; Leather and travel goods eg handbag, wallet; Baby toiletries and accessories inc nappies, bubble bath; Baby equipment eg carrycot, car seat, potty; Prams, pram accessories and pushchairs; NHS prescription charges; Medicines eg aspirin, antiseptic (not NHS); Other medical products eg plasters, bandages; Non-optical items eg hearing aid batteries, wheelchair; NHS medical services; NHS optical services eg NHS optician, NHS eye test; NHS dental services; Services of NHS medical auxiliaries; Private medical services eg physiotherapist; Private optical services eg optician, private eye test; Private dental services; Services of private medical auxiliaries eg osteopath, chiropodist; Purchase: specs, lenses, prescription sunglasses; Accessories and repairs to specs and lenses; Sunglasses (non-prescription); Hairdressing, salons, personal grooming, sunbed; Services of medical analysis labs, X ray centres; Other non-hospital services eg non-hospital ambulance; Hospital services.
P132c	Personal goods & services (RPI) - personal expenditure.	EC1313; EC1312; EC1314; EC1315; EC1316; EC3111; EC2111; EC3211; EC1317; EC3222; EC3223; E61111; E61112; E61211; E61313; E62111; E62113; E62211; E62321; E62112; E62114; E62212; E62322; E61311; E61312; E62311; E62331; E63111; EC3224; EC1111.	Toilet Soap, liquid soap, shower gel etc; Toiletries (disposable) eg toothpaste, cotton buds, tissue; Toilet requisities (durable) eg toothbrush, comb, razor; Hair Products eg shampoo, hairspray; Cosmetics and related accessories eg bath oil, after shave; Jewellery, clocks and watches eg earrings, bracelet; Prostitution; Leather and travel goods eg handbag, wallet; Baby toiletries and accessories inc nappies, bubble bath; Baby equipment eg carrycot, car seat, potty; Prams, pram accessories and pushchairs; NHS prescription charges; Medicines eg aspirin, antiseptic (not NHS); Other medical products eg plasters, bandages; Non-optical items eg hearing aid batteries, wheelchair; NHS medical services; NHS optical services eg NHS optician, NHS eye test; NHS dental services; Services of NHS medical auxiliaries; Private medical services eg physiotherapist; Private optical services eg optician, private eye test; Private dental services; Services of private medical auxiliaries eg osteopath, chiropodist; Purchase: specs, lenses, prescription sunglasses; Accessories and repairs to specs and lenses; Services of medical analysis labs, X ray centres; Other non-hospital services eg non-hospital ambulance; Hospital services; Sunglasses (non-prescription); Hairdressing, salons, personal grooming, sunbed.

P133	Motoring expenditure (RPI) - personal expenditure.	E71112; E92114; E71122; E92116; E71212; E72112; E72111; E91112; E72113; E31315; E72211; E72212; E72213; E72313; E72413; E72114; E72411; E72412; E72314; EK3112.	New car/van: loan or HP; Car accessories, fittings eg tools, car jack; Audio equipment, in car eg car radio, car speakers; Motor cycle accessories, spare parts; Protective headgear eg crash helmets; Petrol; Diesel; Other motor oils eg Castrol; AA, RAC or other motoring org subscription; Driving lessons; Anti-freeze, battery water, cleaning materials; Parking fees, tolls and permits (not motoring fines); Garage rent, MOT fee, other costs (not motoring fines); Car washing & breakdown services eg screen wash, car tow, etc; Motoring fines eg speeding fine, parking fine.
P133c	Motoring expenditure (RPI) - personal expenditure.	E71111; E92113; E71121; E92115; E71211; E72211; E72212; E72213; E72313; E72413; E72114; E72411; E72412; E72111; E72314; EK3112; E72311; E72113; E91112; E72312; E72113; E31315; EC5411.	Outright purchase of new cars or vans; Purchase of new motor caravan - outright; Outright purchase of second hand car; Purchase of second hand motor caravan - outright; New/second hand cycle purchase; Petrol; Diesel; Other motor oils eg Castrol; AA, RAC or other motoring org subscription; Driving lessons; Anti-freeze, battery water, cleaning materials; Parking fees, tolls and permits (not motoring fines); Garage rent, MOT fee, other costs (not motoring fines); Car accessories, fittings eg tools, car jack; Car washing & breakdown services eg screen wash, car tow, etc; Motoring fines eg speeding fine, parking fine; Car or van repairs and servicing; Motor cycle accessories, spare parts; Audio equipment, in car eg car radio, car speakers; Motor cycle repairs and services; Motor cycle accessories, spare parts; Protective headgear eg crash helmets; Vehicle insurance, car insurance.
P134	Fares etc (RPI) - personal expenditure.	E92111; E92117; E92311; EC5412; E71311; E71411; E72115; E73112; E73212; E73512; E73311; E73312; E73411; E73513; E73213; E72414; E73214; E73611.	Purchase of boats, trailers and horses; Bicycle accessories, repairs, other costs; Rail and tube fares other than season tickets; Bus and coach fares other than season tickets; Combined fares other than season tickets; Air travel within UK; International air travel; Water Travel; School travel eg school bus (but NOT when adult gives money to child for school bus); Taxis and hired cars with drivers; Hire of self-drive cars, vans, bicycles; Other personal travel; Delivery charges (eg for groceries, takeaways) and other transport services.

P134c	Fares etc (RPI) - personal expenditure.	E92111; E92117; E92311; EC5412; E71311; E72115; E71411; E73112; E73212; E73512; E73311; E73312; E73411; E73513; E73213; E72414; E73214; E73611.	Purchase of boats, trailers and horses; Accessories for boats, horses, caravans & motor caravans; Repair and maintenance of other major durables for recreation; Boat insurance (NOT if boat is used as home); Bicycles purchase; Bicycle accessories, repairs, other costs; Animal drawn vehicles; Rail and tube fares other than season tickets; Bus and coach fares other than season tickets; Combined fares other than season tickets; Air travel within UK; International air travel; Water Travel; School travel eg school bus (but NOT when adult gives money to child for school bus); Taxis and hired cars with drivers; Hire of self-drive cars, vans, bicycles; Other personal travel; Delivery charges (eg for groceries, takeaways) and other transport services.
P135	Leisure goods (RPI) - personal expenditure.	E91121; E91122; E91123; E91124; E91111; E91311; E92211; E91411; E94239; E91113; E91412; E94238; E91511; E92221; E93112; E93113; E91126; E91125; E93211; E95211; E95212; E95111; E93111; E94246; E91211; E91413; E82111; E82112; E82113; E93311; E91414.	Television sets; Musical instruments (purchase & hire); Audio - records, CDs, cassettes, discs - hire and purchase; Audio cassette hire, CD hire eg from library; Accessories for audio equipment eg headphones; Video - blank and pre-recorded videos incl rentals; Video cassette rental, DVD rental; Repairs, insurance of TV, video, audio, computers; Major durables for indoor recreation eg snooker tables; Computer games cartridges and software; Consoles for computer games eg Sega, Nintendo; Spare parts for TV, video, audio, computers, aerial splitter, microphone adaptor, video cable; Purchase of digital TV decoder; Equipment for sport, camping and open air recreation; Newspapers; Magazines and periodicals; Books; Games, toys and hobbies eg dolls, toy cars; Photographic/optical eg photo develop; Photographic and cinematographic equipment; Camera films, camcorder tape; Telephone purchase; Car phone/mobile phone purchase; Answering and fax machine purchase; Plants, flowers, seeds, fertilisers, insecticides; DVDs - blank and pre-recorded DVDs, Excl rentals.

P135c	Leisure goods (RPI) - personal expenditure.	E91121; E91122; E91123; E91124; E91111; E91311; E92211; E91411; E94239; E91113; E91412; E94238; E91511; E92221; E93112; E93113; E91126; E91125; E93211; E95211; E95212; E95111; E93111; E94246; E91211; E91413; E82111; E82112; E82113; E93311; E91414.	Television sets; Satellite dish purchase; Satellite dish installation; Video recorders; Audio equipment, stereos, CD players; Computers, printers, ink cartridge, calculators, mouse mat; Musical instruments (purchase & hire); Audio records, CDs, cassettes, discs - hire and purchase; Audio cassette hire, CD hire eg from library; Accessories for audio equipment eg headphones; Video - blank and pre-recorded videos incl rentals; Video cassette rental, DVD rental; Repairs, insurance of TV, video, audio, computers; Major durables for indoor recreation eg snooker tables; Computer games cartridges and software; Consoles for computer games eg Sega, Nintendo; Spare parts for TV, video, audio, computers, aerial splitter, microphone adaptor, video cable; Purchase of digital TV decoder; Equipment for sport, camping and open air recreation; Newspapers; Magazines and periodicals; Books; Games, toys and hobbies eg dolls, toy cars; Photographic/optical eg photo develop; Photographic and cinematographic equipment; Camera films, camcorder tape; Telephone purchase; Car phone/mobile phone purchase; Answering and fax machine purchase; Plants, flowers, seeds, fertilisers, insecticides; DVDs - blank and pre-recorded DVDs, Excl rentals.
P136	Leisure services (RPI) - personal expenditure.	E94211; E94212; E94241; E94221; E94242; E94112; E94111; E94311; E94312; E94313; E94314; E94315; E94316; E94319; E94232; E94113; E94115; E94236; E91127; EA1113; EA2113; EA3113; EA4113; EA5113; EK4111; EK4112; EC5511; EC5413; EC6214; EK5221; EK5222; EK5223; EC4111; E94245.	Cinemas; Spectator sports - admission charges; Football pools stakes; Bingo stakes, excl admission; Lottery (not National/Irish); Bookmaker, tote, other betting stakes; Irish Lottery stakes; National Lottery instants; National Lottery stakes - Midweek or Saturday draw; Second dwelling TV licences; Subscriptions to sports and social clubs; Hire of equipment, accessories or services for sport or open-air recreation; TV slot meter/ Cable TV connection; Cable TV installation; Other ad hoc nursery/primary school expenditure eg school trips; Other ad hoc secondary school expenditure eg baking ingredients, school trips; Other ad hoc college expenditure; Other ad hoc college/Univ expenditure; Other ad hoc expenditure; Money spent abroad; Duty free bought in UK; Other insurance; Travel/ holiday insurance - NOT insurance for package holidays; Commission on travellers cheques and currency; Money given to those outside the household; Present - not specified; Charitable donations & subscriptions; Residential home fees for elderly, sick, blind; Internet subscription fees.

P136c	Leisure services (RPI) - personal expenditure.	E94211; E94212; E94241; E94221; E94242; E94112; E94111; E94311; E94312; E94313; E94314; E94315; E94316; E94319; E94113; E94236; E91127; EC5511; EA1113; EA2113; EA3113; EA4113; EA5113; EK4111; EK4112; EB2111; EB2112; EC5413.	Cinemas; Live entertainment, theatre, concerts, shows; Admissions to clubs, dances, bingo; Museums, zoological gardens; Admission to social events and gatherings; Participant sports exc subscriptions; Spectator sports - admission charges; Football pools stakes; Bingo stakes, excl admission; Lottery (not National/Irish); Bookmaker, tote, other betting stakes; Irish Lottery stakes; National Lottery instants; National Lottery stakes - Midweek or Saturday draw; Subscriptions to sports and social clubs; TV slot meter/ Cable TV connection; Cable TV installation; Other insurance; Other ad hoc nursery/primary school expenditure eg school trips; Other ad hoc secondary school expenditure eg baking ingredients, school trips; Other ad hoc college expenditure; Other ad hoc college/Univ expenditure; Other ad hoc expenditure; Money spent abroad; Duty free bought in UK; Holidays in UK (accommodation); Holidays abroad (accommodation); Travel/ holiday insurance - NOT insurance for package holidays.
P153	Total personal expenditure;	P116c; P117c; P118c; P119c; P120c; P121c; P126c; P130c; P131c; P132c; P133c; P134c; P135c; P136c	Housing - personal expenditure; Fuel etc - personal expenditure; Food - personal expenditure; Alcoholic drink - personal expenditure; Tobacco - personal expenditure; Clothing, footwear - personal expenditure; Miscellaneous - personal expenditure; Household goods (RPI) - personal expenditure; Household services (RPI)- personal expenditure; Personal goods & services (RPI) - personal expenditure; Motoring expenditure (RPI) - personal expenditure; Fares etc (RPI) - personal expenditure; Leisure goods (RPI) - personal expenditure; Leisure services (RPI) - personal expenditure.
P153c	Total personal expenditure;	P116c; P117c; P118c; P119c; P120c; P121c; P126c; P130c; P131c; P132c; P133c; P134c; P135c; P136c	Housing - personal expenditure; Fuel etc - personal expenditure; Food - personal expenditure; Alcoholic drink - personal expenditure; Tobacco - personal expenditure; Clothing, footwear - personal expenditure; Miscellaneous - personal expenditure; Household goods (RPI) - personal expenditure; Household services (RPI)- personal expenditure; Personal goods & services (RPI) - personal expenditure; Motoring expenditure (RPI) - personal expenditure; Fares etc (RPI) - personal expenditure; Leisure goods (RPI) - personal expenditure; Leisure services (RPI) - personal expenditure.

P118(c) – Food – Personal Expenditure

<p>E11181; E11182; E11111; E11112; E11113; E11114; E11121; E11122; E11131; E11132; E11133; E11134; E11135; E11136; E11141; E11142; E11143; E11144; E11145; E11171; E11172; E11161; E11162; E11164; E11173; E11174; E11151; E11152; E11153; E11154; E11155; E11166; E11175; E11183; E11184; E11862; E11932; E11211; E11212; E11213; E11214; E11215; E11216; E11221; E11222; E11223; E11224; E11241; E11242; E11243; E11244; E11251; E11252; E11253; E11281; E11282; E11283; E11231; E11232; E11261; E11262; E11263; E11264; E11265; E11291; E11292; E11284; E112A1; E112A2; E112B1; E112B2; E112B3; E112B4; E112C1; E112C2; E112C3; E11271; E112D1; E112D2; E11311; E11312; E11321; E11322; E11323; E11324; E11331; E11332; E11341; E11342; E11351; E11352; E11361; E11411; E11412; E11413; E11414; E11415; E11421; E11422; E11431; E11432; E11433; E11434; E11441; E11451; E11452; E11453; E11454; E11455; E11456; E11165; E11435; E11442; E11461; E11463; E11464; E11465; E11471; E11511; E11462; E11521; E11522; E11523; E11524; E11673; E11531; E11541; E11551; E11552; E11611; E11612; E11621; E11631; E11632; E11633; E11641; E11642; E11651; E11652; E11661; E11671; E11672; E11681; E11682; E11711; E11712; E11713; E11714; E11923; E11721; E11722; E11723; E11731; E11732; E11733; E11734; E11735; E11761; E11762; E11751; E11752; E11753; E11754; E11755; E11756; E11763; E11771; E11772; E11781; E11782; E11783; E11784; E11786; E11787; E117A1; E11911; E11941; E11741; E11742; E11743; E11744; E11785; E11791; E11792; E11793; E11861; E11811; E11812; E11821; E11822; E11823; E11824; E11841; E11842; E11851; E11852; E11853; E11854; E11871; E11872; E11873; E11831; E11832; E11912; E11913; E11914; E11921; E11922; E11163; E11931; E11933; E11951; E11952; E11961; E11962; E11971; E11972; E12111; E12112; E12113; E12121; E12122; E12131; E12132; E12211; E12221; E12222; E12231; E12232; E12241; E12251; E13187; E13191; EP1113; EP1123; EP1133; EP1143; EP1114; EP1124; EP1134; EP1144; EP1145; EP2111; EP2121; EP2131; EP2151; EP2152; EP1146; EP1115; EP1125; EP1135; EP1147; EP1148; E13111; E13112; E13113; E13114; E13121; E13122; E13123; E13124; E13131; E13132; E13133; E13134; E13141; E13142; E13151; E13161; E13184; E13185; E13125; E13171; E13181; E13182; E13183; E13186; EP2141; EP1112; EP1122; EP1132; EP1142; EB112B</p> <p>Dried rice; Cooked rice; White - standard - unsliced; White - standard - sliced; White - premium - sliced & unsliced; White - soft grain - sliced & unsliced; Brown bread, incl granary brown - sliced & unsliced; Wholemeal, incl granary wholemeal & 'granary' not spec - sliced & unsliced; Rolls - white, brown, wholemeal; Malt bread & fruit loaves; Vienna & french bread eg baguette; Starch reduced bread & rolls, eg Nimble, Slimcea; Sandwiches - retail not takeaway; Other bread eg pitta, naan, garlic, rye, sunflower, ciabatta; Buns, scones & teacakes; Crispbread, eg Rivita, breadsticks, pretzels; Chocolate biscuits/ wafers incl Penguin, Club, Kit Kat; Sweet biscuits & cereal bars eg digestives, jam-filled, shortcake; Cream crackers & unsweetened biscuits incl water biscuits; Canned pasta eg spaghetti hoops, ravioli; Dried & fresh pasta, inc pasta salad, pasta & sauce; Cakes & pastries - NOT FROZEN eg fruit cakes & pies, choc cakes; Cakes & pastries - FROZEN eg choc gateaux, apple pies; Other puddings eg fruit pudding, sponge, Christmas pudding; Pizza - frozen or non frozen; Quiches & flans - frozen or non frozen; Oatmeal & oat products eg porridge oats, oatmeal, oatcakes; Muesli (incl crunchy-oat cereal); High fibre breakfast cereals eg Allbran, Weetabix; Sweetened breakfast cereals eg Sugar Puffs, Coco Pops; Other breakfast cereals eg Cornflakes, Rice Krispies; All canned milk puddings eg rice, macaroni, sago, tapioca; Other convenience cereal foods eg pot noodles, pastry mix, sauce mix, casserole mix; Flour; Other cereals eg barley; Cereal snacks eg Doritos, Wotsits, Tortilla chips, Bombay Mix; Infant cereal foods eg Ovaltine Rusks, Farlene, Robinsons Instant baby foods, baby rice; Beef joints inc on the bone; Beef joints - boned eg topside, silverside, sirloin, brisket; Beef steak - less expensive eg stewing or braising steak; Beef steak - more expensive eg sirloin, rump, fillet, topside; Minced Beef/ Mince, type not specified; All other beef and veal eg veal escalopes; Pork joints, inc sides; Pork chops; Pork fillets and steaks; All other pork - uncooked; Mutton; Lamb joints - incl sides, shoulder, leg; Lamb chops - incl cutlets, fillets; All other lamb eg minced, breast (NOT LAMB OFFAL eg NOT kidneys, liver, heart); Chicken - whole or parts eg leg, breast, wing, quarter; Turkey - whole or parts eg mince, breast, steak, diced; Poultry - other than chicken or turkey eg duck, pheasant, goose; Sausages (uncooked) - pork; pork or beef not specified; Sausages (uncooked) - beef inc pork & beef, turkey sausages; Delicatessen type sausages (cooked or uncooked) eg liver sausage, salami, frankfurter, polony, saveloy, garlic sausage; Bacon & ham joints, uncooked incl gammon steaks; Bacon & ham rashers incl back bacon, middle, streaky; Ox liver; Lambs liver; Pigs liver; All other liver eg calf liver, chicken liver; All offal other than liver eg kidney, heart, tripe, brain, sweetbread, tongue, oxtail, trotters; Pate; Meat pastes and spreads; Burgers - frozen & non-frozen - not takeaway; Corned beef - canned or sliced; Other canned meat & canned meat products eg ham, ham & pork, chopped pork, steak, luncheon meat, Irish stew, sausage & beans; Cooked chicken/ turkey eg chicken slices, turkey slices; Cooked ham & bacon eg sliced ham, honey roast ham, cooked bacon joint; Other cooked meat eg luncheon meat, tongue, roast pork, pressed beef; #N/A; Sausage rolls - FRESH NOT FROZEN; Meat pies, FRESH NOT FROZEN; Meat pies, pasties & puddings - FRESH AND FROZEN; Other fresh/chilled/frozen meat - eg rabbit, venison; Complete ready meals - FRESH AND FROZEN; Other convenience meat products FROZEN OR NOT FROZEN; White fish - fresh or chilled; White fish - frozen eg cod, haddock, hake, plaice, lemon sole; Salmon - fresh or chilled; Salmon - frozen; Herrings & other blue fish - fresh or chilled; Herrings & other blue fish - frozen; Shellfish - fresh or chilled IGNORE WHETHER COOKED OR UNCOOKED; Shellfish - frozen IGNORE WHETHER COOKED OR UNCOOKED; White fish eg cod, haddock, etc incl crabsticks, dried shrimp; Blue fish eg smoked salmon, smoked mackerel, kippers, pickled herring; Tinned salmon; Other tinned or bottled fish/seafood eg sardines, tuna, caviar; All fish ready meals & other fish products eg fish pie, fish fingers, fish cakes, fish paste, jellied eels, prawn curry, prawn biryani, tuna & pasta bake, seafood pasta; Pasteurised & homogenised (whole milk only); Sterilised (whole milk only); UHT milk (whole milk only); School milk; Welfare milk; Fully-skimmed milk - incl UHT & sterilised fully skimmed; Semi-skimmed milk - incl UHT & sterilised semi-skimmed; Condensed & evaporated milk; Infant & baby milk - READY TO DRINK (sold by volume; Infant & baby milk - DRIED (sold by weight); Instant dried milk eg Marvel; All yoghurt (incl twinpots, yoghurt drinks) except FROZEN YOGHURT; Hard cheese - cheddar type; Hard cheese - other UK or foreign equivalent eg Cheshire, Caerphilly; Hard Cheese - Edam or other foreign eg Gouda, Babybel; Cottage cheese incl flavoured; Soft natural cheese eg Brie, Camembert, Philadelphia; Processed cheese, cheese spreads & cheese products eg Kraft Dairylea, Primula, Kraft slices; Canned or fresh carton custard; Dried milk products eg Complan, Build Up, powdered milkshake mixes; All Fromage Frais; Cream incl single, double, whipping, clotted; Dairy desserts - not frozen eg mousse, trifle, cheesecake; Milk drinks & other READY TO DRINK milks eg buttermilk, flavoured milk, goats milk, Yakult, milkshakes; Non-dairy milk substitutes; Eggs; Butter - all types</p>

(except low fat varieties), from all countries; Imitation cream & other fats eg Coffee Mate, Complementary, Dream Topping, aerosol cream; Soft margarine eg Blue Band, Stork SB; Other margarine eg Echo, Stork Hard; Reduced fat spreads eg Flora, Clover/ Spread - DK type; Low fat spreads eg Outline, Flora Extra Light; Peanut butter; Olive Oil; Other vegetable and salad oils eg corn, soya, sunflower etc oil; Lard, cooking fat eg Cookeen, Spry, Trex; Suet & dripping; Fresh Oranges; Other fresh citrus fruits eg lemons, grapefruit, tangerines, clementines, etc; Fresh Bananas; Fresh Apples; Fresh Pears; Fresh Stone fruit eg apricot, plum, peach, cherry, avocado, nectarine, olives; Fresh Grapes; Other fresh soft fruit eg strawberries, blackberries, blackcurrants, cranberries; Fresh Melon; Other fresh fruit eg pineapple, pomegranate, figs, kiwi fruit, rhubarb, 'fruit' - type not spec; Frozen fruits eg strawberries, apple slices, peach halves; Dried fruit eg sultanas, raisins, currants, dates, apricots; Nuts, edible seeds & nut products eg peanuts, coconut, sunflower seeds, chestnut puree; Tinned peaches, pears & pineapples only; Other tinned or bottled fruit eg apricots, cherries, mandarin oranges, olives; Lettuce incl watercress (NOT prepared salads); Other fresh green vegetables eg spinach, turnip tops, sprouting broccoli; Stem vegetables eg celery, artichokes, asparagus, bean sprouts; Prepared lettuce salads, eg in bags mixed salad (NEW CODE); Fresh herbs eg basil, peppers, clove of garlic; Cabbages, fresh; Brussel sprouts, fresh; Cauliflower, fresh incl headed broccoli eg Calabrese; Cucumbers, fresh; Marrow, courgettes, aubergine, pumpkin, plantain etc; Peas, fresh incl mangetout, sugar snap peas; Beans, fresh incl runner, broad, french; Tomatoes, fresh; Peas, frozen; Beans, frozen; Carrots, fresh; Turnips & swede, fresh; Onions, leeks, shallots etc, fresh; Other root veg, fresh eg beetroot, parsnips, jerusalem artichokes, parsnips, yams, radishes; Mushrooms - fresh; Stir-fry pack, pack of mixed veg, stewpack, fresh veg - type not specified; All other frozen veg eg mixed veg, sweetcorn, courgettes, carrots; Air-dried vegetables eg Surprise peas, Swel onions & mixed veg, sun dried tomatoes; Dried pulses eg peas, chick peas, beans, lentils; Tomatoes, canned or bottled; Peas, canned; Baked beans in sauce; Other canned beans & pulses eg butter beans, broad beans, kidney beans; Other canned or bottled veg eg carrots, runner beans, sweetcorn, mushrooms; Tomato puree and vegetable purees; Veg ready meal/other veg product - eg veg curry, veg lasagne, pasta filled with veg, veg pastie, pease pudding, coleslaw) ,; Pickles eg onion, beetroot, cucumber, gherkin; Soya & novel protein foods eg soya mince, Tofu, Quorn; All other potatoes - not new or baking - bought at any time of year; New Potatoes - bought any time of year; Code not used;

Baking Potatoes; Canned potatoes; Instant potato eg Smash, Yeoman; Chips - frozen/not frozen eg oven chips; Other potato products - frozen/not frozen eg potato cakes, potato scones, potato salad, hash browns, croquettes; Crisps & potato snacks eg Quavers, Hula Hoops; Sugar incl glucose; Artificial sweeteners eg Sweetex, Canderel, Hermesetas; Jams & fruit curds eg lemon curd; Marmalade incl jelly marmalade; Jelly squares or crystals; Honey incl honey spreads; Chocolate bars - SOLID eg Fruit n Nut, Dairy Milk, Galaxy, Aero, Yorkie, Wispa, 'chocolate bar' - type not spec; Chocolate bars/ choc sweets - COATED & FILLED eg Mars, Snickers, Bounty, Minstrels, Rolos, Smarties, Milk Tray, Black Magic; Chewing gum; Mints eg Polo, Extra Strong Mints; Boiled sweets & jellies eg fruit gums, Liquorish Allsorts, pick & mix, 'sweets' type not specified; Fudges, toffees, caramels eg Choc Eclairs, Toffos; Ice cream tub or block; Ice cream products eg cornets, choc-ices, lollies with ice-cream, Magnums, Feasts; Other frozen dairy foods & ices eg ice lollies, ice cubes, sorbet, frozen mousse, frozen yoghurt) ,; Syrup, treacle; Other spreads & dressings eg choc spread, choc sauce, rum butter, instant icing, hundreds & thousands; Sauces eg apple sauce, bolognese sauce, Cook-In sauces, mint sauce, tomato ketchup; Salad dressings eg 1000 island, salad cream, mayonnaise, dips; Vinegar; Salt; Spices & dried herbs eg curry powder, mustard, pepper, dried garlic; Cake, pudding & dessert mixes eg Angel Delight, custard powder; Baby foods eg Heinz or Gerber strained foods; Invalid, slimming & sports foods eg slimming bars, slimming drinks (powdered or ready-to-drink Bengers, Power Malt; Canned & carton soups; Dehydrated & powdered soup incl cup-a-soup; Bisto, gravy granules, baking powder, yeast, flavourings, colourings; Stock cubes (all meat & yeast extracts eg Oxo cubes, chicken stick cubes, Bovril, Marmite; Wine & beer making kits; Payment for food, items not specified; Coffee beans, ground coffee; Instant coffee; Coffee essences; Tea; Fruit tea, green tea, instant tea granules, herbal tea, rosehip tea; Cocoa & chocolate drink powders/ mixes eg Cadburys Drinking Chocolate (NOT liquid ready-to-drink); Malt drinks (eg Ovaltine) & chocolate versions of malt drinks; Mineral or spring water; Soft drinks - not conc, NOT low cal (incl fizzy & still); Soft drinks - not conc, LOW CAL (incl fizzy & still); Soft drinks - conc, NOT low cal; Soft drinks - conc, LOW CAL; Pure fruit juices; Vegetable juices eg tomato juice, carrot juice; Other takeaway food brought home; Meals on wheels - not specified/ no detail given; Adults EO Spend - Confectionery - Catering - On; Adults EO Spend - Ice Cream - Catering - On; Adults EO Spend - Soft Drinks - Catering - On; Adults EO Spend - All other food - Catering - On; Adults EO Spend - Confectionery - Catering - Off; Adults EO Spend - Ice Cream - Catering - Off; Adults EO Spend - Soft Drinks - Catering - Off; Adults EO Spend - All other food - Catering - Off - Hot; Adults EO Spend - All other food - Catering - Off - Cold; Childrens EO Spend - Confectionery; Childrens EO Spend - Ice cream; Childrens EO Spend - Soft drinks; Childrens EO Spend - All other food - Hot; Childrens EO Spend - All other food - Cold; Adults EO Spend - All other food - Shops - On; Adults EO Spend - Confectionery - Shops; Adults EO Spend - Ice Cream - Shops; Adults EO Spend - Soft Drinks - Shops; Adults EO Spend - All other food - Shops - Off - Hot; Adults EO Spend - All other food - Shops - Off - Cold; Chicken eg chicken pieces, chicken nuggets, chicken from chip shop or KFC; Meat pies & pasties; Fish eg from fish n chip shop; Fish products eg fish cakes, scampi, fish burgers; Chips eg from chip shop; Cooked rice eg boiled rice, fried rice, pilau rice; Pasta & noodles; Breads eg garlic bread, nan, chapati, rolls; Burger & bun eg hamburger, cheeseburger, chicken burger; Kebabs eg doner kebab, shish kebab, chicken kebab; Sausages & saveloys; Miscellaneous meats eg faggots, haggis, pepperami; Meat-based meals incl Indian & Chinese takeaways eg Beef curry, chicken curry, chicken tikka, chow mein; Fish-based meals incl Indian & Chinese takeaways eg prawn curry; All veg takeaway products eg veg curry, onion bhajis, spring rolls, veg samosas, salad, coleslaw, peas; Pizza - takeaway and home delivery; Sauces, mayonnaise eg curry sauce; Soups; Cakes, pastries, buns, biscuits etc incl cake, sponge pudding, doughnut, custard, rice pud; Takeaway sandwiches; Confectionery (sweets and chocolate); Crisps, savoury snacks, popcorn, popadums, prawn crackers; Ice cream, ice cream products, milkshakes, jellies etc; Tea/ coffee - hot drink; Childrens EO Spend - School Dinner; Adults EO Spend - Confectionery - Work; Adults EO Spend - Ice Cream - Work; Adults EO Spend - Soft Drinks - Work; Adults EO Spend - All other food - Work; Catering services eg for wedding, funeral, party, etc

Section Seven:

Product Codes - Household level

Variable	Label		
P087	Other insurance - including deductions from wages	B206; B205.	Other insurance - total amount premium; Friendly Societies - deductions from main pay.
P116t	Housing (FES) - personal expenditure.	P116; P116c.	Housing - personal expenditure; Housing - personal expenditure.
P117t	Fuel etc (FES)- personal expenditure.	P117; P117c.	Fuel etc - personal expenditure; Fuel etc - personal expenditure.
P118t	Food (FES) - personal expenditure.	P118; P118c.	Food - personal expenditure; Food - personal expenditure.
P119t	Alcoholic drink (FES) - personal expenditure.	P119; P119c.	Alcoholic drink - personal expenditure; Alcoholic drink - personal expenditure.
P120t	Tobacco (FES) - personal expenditure.	P120; P120c.	Tobacco - personal expenditure; Tobacco - personal expenditure.
P121t	Clothing, footwear (FES) - personal expenditure.	P121; P121c.	Clothing, footwear - personal expenditure; Clothing, footwear - personal expenditure.
P126t	Miscellaneous (FES) - personal expenditure.	P126; P126c.	Miscellaneous - personal expenditure; Miscellaneous - personal expenditure.
P128t	Other payments (FES) - personal expenditure.	P128; P128c.	Other payments - personal expenditure; Other payments - personal expenditure.

P129t	Second dwelling (FES) - personal expenditure.	P129; P129c.	Second dwelling - personal expenditure.; Second dwelling - personal expenditure..
P130t	Household goods (FES) - personal expenditure.	P130; P130c.	Household goods (FES) - personal expenditure; Household goods (FES) - personal expenditure.
P131t	Household services (FES) - personal expenditure.	P131; P131c.	Household services (FES)- personal expenditure; Household services (FES)- personal expenditure.
P132t	Personal goods & services (FES) - personal expenditure.	P132; P132c.	Personal goods & services (FES) - personal expenditure; Personal goods & services (FES) - personal expenditure.
P133t	Motoring expenditure (FES) - personal expenditure.	P133; P133c.	Motoring expenditure (FES) - personal expenditure; Motoring expenditure (FES) - personal expenditure.
P134t	Fares etc (FES) - personal expenditure.	P134; P134c.	Fares etc (FES) - personal expenditure; Fares etc (FES) - personal expenditure.
P135t	Leisure goods (FES) - personal expenditure.	P135; P135c.	Leisure goods (FES) - personal expenditure; Leisure goods (FES) - personal expenditure.
P136t	Leisure services (FES) - personal expenditure.	P136; P136c.	Leisure services (FES) - personal expenditure; Leisure services (FES) - personal expenditure.

P153t	Total personal expenditure (FES).	P116t; P117t; P118t; P119t; P120t; P121t; P126t; P130t; P131t; P132t; P133t; P134t; P135t; P136t.	Housing (FES) - personal expenditure; Fuel etc (FES) - personal expenditure; Food (FES) - personal expenditure; Alcoholic drink (FES) - personal expenditure; Tobacco (FES) - personal expenditure; Clothing, footwear (FES) - personal expenditure; Miscellaneous (FES) - personal expenditure; Household goods (FES) - personal expenditure; Household services (FES) - personal expenditure; Personal goods & services (FES) - personal expenditure; Motoring expenditure (FES) - personal expenditure; Fares etc (FES) - personal expenditure; Leisure goods (FES) - personal expenditure; Leisure services (FES) - personal expenditure.
P220p	Rent rate council tax rebate or allowance.	P205; P206p; B230.	Rates rebate; Council tax rebate - anonymised; Rent rebate - amount recvd inc non - sep rate rebate.
P220u	Rent rate council tax rebate or allowance .	P205; P206u; B230.	Rates rebate; Council tax rebate; Rent rebate - amount recvd inc non - sep rate rebate.
P281p	Net rent, rates, council tax, water, other housing.	B010; B020; B030; B038p; B050; B053p; B056p; B060; B110; B130; B150.	Rent/rates - last net payment; Net rent - service charge deducted; Domestic rates - last net payment; Council tax - last payment weekly amount; Water charges - last net payment; Council water tax - weekly amount paid; Council sewerage tax - weekly amount paid; Other regular housing payments; Structure insurance - last payment.
P281u	Net rent, rates, council tax, water, other housing.	B010; B020; B030; B038u; B050; B060; B110; B130; B150.	Rent/rates - last net payment; Net rent - service charge deducted; Domestic rates - last net payment; Council tax - last payment weekly amount; Water charges - last net payment; Other regular housing payments; Structure insurance - last payment; Mortgage interest only - last payment; Mortgage interest / principle - interest paid.
P348	Social Security benefits - household	P332; P336.	Social security retired / old age / widow pension - household; Other social security benefits - household.
P356	Normal gross wage/salary (all), household - 13 week rule	P300; P312.	Normal gross wage / salary (main), household -13week rule; Gross wage / salary last time paid (subsidiary) -household.

p389u	Normal weekly disposable household income	P177	Personal gross income, less tax & ni.
P530	Permanent second dwelling.	B101; B102; B106; B108; P129.	Central heating installed - second dwelling; Central heating repairs - second dwelling; House extensions etc - second dwelling; House maintenance etc - second dwelling; Second dwelling - personal expenditure..
P530c	Permanent second dwelling.	P129c.	Second dwelling - personal expenditure..
P530T	Permanent second dwelling.	P530; P530C.	Permanent second dwelling; Permanent second dwelling.
P531	Other payments (neg acceptable).	B101; B103; B105; B106; B1961; B1981; B200; B2011; B203; B228; B229; P087; B150; P128.	Central heating installed - second dwelling; Central heating installed - main dwelling; House extensions etc - main dwelling; House extensions etc - second dwelling; Life insurance - amount premium; Endowment policies - amount premium; Mortgage interest / principle - last payment; Mortgage endowment policy - amount premium; Mixed mortgage - last payment; Personal pensions; Medical insurance - total amount premium; Other insurance - including deductions from wages; Mortgage interest / principle - interest paid; Other payments - personal expenditure.
P531c	Other payments (neg acceptable).	P128c.	Other payments - personal expenditure.
P531T	Other payments (neg acceptable).	P531; P531C.	Other payments (neg acceptable); Other payments (neg acceptable).
P532	Purchase of dwelling improvements & mort pay.	B101; B103; B105; B106; B130; B200; B203; P127.	Central heating installed - second dwelling; Central heating installed - main dwelling; House extensions etc - main dwelling; House extensions etc - second dwelling; Mortgage interest only - last payment; Mortgage interest / principle - last payment; Mixed mortgage - last payment; Purchase of dwelling & capital improvement.

P535CP	FES housing (gross).	P515CP.	Housing (net).
P535CU	FES housing (gross).	P515CU.	Housing (net).
P535p	FES housing (gross).	P220p; P515p.	Rent rate council tax rebate or allowance; Housing (net).
P535Tp	FES housing (gross).	P535P; P535Cp.	FES housing (gross); FES housing (gross).
P535Tu	FES housing (gross).	P535u; P535Cu.	FES housing (gross); FES housing (gross).
P535u	FES housing (gross).	P220u; P515u.	Rent rate council tax rebate or allowance Housing (net).
P536CP	FES housing (net).	P116c.	Housing - personal expenditure.
P536CU	FES housing (net).	P116c.	Housing - personal expenditure.
P536p	FES housing (net).	P116; P281p; B102; B104; B107; B108.	Housing - personal expenditure; Net rent, rates, council tax, water, other housing; Central heating repairs - second dwelling; Central heating repairs - main dwelling; House maintenance etc - main dwelling; House maintenance etc - second dwelling.
P536tp	FES housing (net).	P536p; P536cp.	FES housing (net); FES housing (net).
P536tu	FES housing (net).	P536u; P536cu.	FES housing (net); FES housing (net).
P536u	FES housing (net).	P116; P281u; B102; B104; B107; B108.	Housing - personal expenditure; Net rent, rates, council tax, water, other housing; Central heating repairs - second dwelling; Central heating repairs - main dwelling; House maintenance etc - main dwelling; House maintenance etc - second dwelling.
P537	FES fuel, light and power.	B017; B018; B170; B175; B223; B224; B178; B173; P117.	Oil for central heating cost last quarter; Bottled gas for central heating - amount; Gas - amount paid in last account; Electricity - amount paid in last account; MISSING; MISSING; Electricity - amount last rebate; Gas - amount last rebate; Fuel etc - personal expenditure.

P537c	FES fuel, light and power.	P117c.	Fuel etc - personal expenditure.
P537t	FES fuel, light and power.	P537; P537c.	FES fuel, light and power; FES fuel, light and power.
P538	FES food.	B260; P118.	School meals - total amount paid last week; Food - personal expenditure.
P538c	FES food.	P118c.	Food - personal expenditure.
P538t	FES food.	P518t.	Food.
P539	FES alcoholic drink.	P119.	Alcoholic drink - personal expenditure.
P539c	FES alcoholic drink.	P119c.	Alcoholic drink - personal expenditure.
P539t	FES alcoholic drink.	P539; P539c.	FES alcoholic drink; FES alcoholic drink.
P540	FES tobacco.	P120.	Tobacco - personal expenditure.
P540c	FES tobacco.	P120c.	Tobacco - personal expenditure.
P540t	FES tobacco.	P540; P540c.	FES tobacco; FES tobacco.
P541	FES clothing and footwear.	P121.	Clothing, footwear - personal expenditure.
P541c	FES clothing and footwear.	P121c.	Clothing, footwear - personal expenditure.
P541t	FES clothing and footwear.	P541; P541c.	FES clothing and footwear; FES clothing and footwear.
P542	FES household goods.	B270; B271; P130.	Furniture; Soft floor coverings; Household goods (RPI) - personal expenditure.
P542c	FES household goods.	P130c.	Household goods (RPI) - personal expenditure.
P542t	FES household goods.	P542; P542c.	FES household goods; FES household goods.
P543	FES household services.	P523.	Household services.

P543c	FES household services.	P523c.	Household services.
P543t	FES household services.	P543; P543c.	FES household services; FES household services.
P544	FES personal goods and services.	P132.	Personal goods & services (RPI) - personal expenditure.
P544c	FES personal goods and services.	P132c.	Personal goods & services (RPI) - personal expenditure.
P544t	FES personal goods and services.	P544; P544c.	FES personal goods and services; FES personal goods and services.
P545	FES motoring expenditure (negs possible).	B187; B188; B244; B2441; B245; B2451; B247; B249; B250; B252; B179; P133.	Vehicle road tax - amount paid last year; Vehicle insurance - amount paid last year; Vehicle - cost of new car van outright; Vehicle cost of new motor caravan outright; Vehicle - cost of second hand car van outright; Vehicle cost of 2nd hand motor caravan outright; Vehicle - cost of motorcycles outright; Car or van - servicing: amount paid; Car or van - other works, repairs: amount paid; Motor cycle - services, repairs: amount paid; Vehicle road tax - amount refunded last year; Motoring expenditure (RPI) - personal expenditure.
P545c	FES motoring expenditure (negs possible).	P133c.	Motoring expenditure (RPI) - personal expenditure.
P545t	FES motoring expenditure (negs possible).	P545; P545c.	FES motoring expenditure (negs possible); FES motoring expenditure (negs possible).
P546	FES fares and other travel costs.	B216; B217; B218; B219; B248; P134.	Bus + tube and/or rail season; Season ticket - bus / coach - total net amount; Season ticket - rail / tube - total net amount; Water travel season ticket; Car leasing - expenditure on; Fares etc (RPI) - personal expenditure.

P546c	FES fares and other travel costs.	P134c.	Fares etc (RPI) - personal expenditure.
P546t	FES fares and other travel costs.	B216; B217; B218; B219; B248; P134t.	Bus + tube and/or rail season; Season ticket - bus / coach - total net amount; Season ticket - rail / tube - total net amount; Water travel season ticket; Car leasing - expenditure on; Fares etc (RPI) - personal expenditure.
P547	FES leisure goods.	P135.	Leisure goods (RPI) - personal expenditure.
P547c	FES leisure goods.	P135c.	Leisure goods (RPI) - personal expenditure.
P547t	FES leisure goods.	P547; P547c.	FES leisure goods; FES leisure goods.
P548	FES leisure services.	P528.	Leisure services.
P548c	FES leisure services.	P136c.	Leisure services (RPI) - personal expenditure.
P548t	FES leisure services.	P548; P548c.	FES leisure services; FES leisure services.
P549	FES Miscellaneous.	B237; B238; P126.	Credit card interest payments; Annual standing charge for credit cards weekly amnt; Miscellaneous - personal expenditure.
P549c	FES Miscellaneous.	P126c.	Miscellaneous - personal expenditure.

P549t	FES Miscellaneous.	B237; B238; P126t.	Credit card interest payments; Annual standing charge for credit cards weekly amnt; Miscellaneous - personal expenditure.
P550cp	FES Total expenditure.	P515cp; P537C; P538C; P539C; P540C; P541C; P542C; P543C; P544C; P545C; P546C; P547C; P548C; P549C.	Housing (net); FES fuel, light and power; FES food; FES alcoholic drink; FES tobacco; FES clothing and footwear; FES household goods; FES household services; FES personal goods and services; FES motoring expenditure (negs possible); FES fares and other travel costs; FES leisure goods; FES leisure services; Miscellaneous.
p550cu	FES Total expenditure.	P515cu; P537C; P538C; P539C; P540C; P541C; P542C; P543C; P544C; P545C; P546C; P547C; P548C; P549C.	Housing (net); FES fuel, light and power; FES food; FES alcoholic drink; FES tobacco; FES clothing and footwear; FES household goods; FES household services; FES personal goods and services; FES motoring expenditure (negs possible); FES fares and other travel costs; FES leisure goods; FES leisure services; Miscellaneous.
P550p	FES Total expenditure.	P536p; P537; P538; P539; P540; P541; P542; P543; P544; P545; P546; P547; P548; P549.	FES housing (net); FES fuel, light and power; FES food; FES alcoholic drink; FES tobacco; FES clothing and footwear; FES household goods; FES household services; FES personal goods and services; FES motoring expenditure (negs possible); FES fares and other travel costs; FES leisure goods; FES leisure services; Miscellaneous.
P550tp	FES Total expenditure.	P536tp; P537T; P538T; P539T; P540T; P541T; P542T; P543T; P544T; P545T; P546T; P547T; P548T; P549T.	FES housing (net); FES fuel, light and power; FES food; FES alcoholic drink; FES tobacco; FES clothing and footwear; FES household goods; FES household services; FES personal goods and services; FES motoring expenditure (negs possible); FES fares and other travel costs; FES leisure goods; FES leisure services; Miscellaneous.
P550tu	FES Total expenditure.	P536tu; P537T; P538T; P539T; P540T; P541T; P542T; P543T; P544T; P545T; P546T; P547T; P548T; P549T.	FES housing (net); FES fuel, light and power; FES food; FES alcoholic drink; FES tobacco; FES clothing and footwear; FES household goods; FES household services; FES personal goods and services; FES motoring expenditure (negs possible); FES fares and other travel costs; FES leisure goods; FES leisure services; Miscellaneous.
P550u	FES Total expenditure.	P536u; P537; P538; P539; P540; P541; P542; P543; P544; P545; P546; P547; P548; P549.	FES housing (net); FES fuel, light and power; FES food; FES alcoholic drink; FES tobacco; FES clothing and footwear; FES household goods; FES household services; FES personal goods and services; FES motoring expenditure (negs possible); FES fares and other travel costs; FES leisure goods; FES leisure services; Miscellaneous.
P551cp	Total expenditure.	P550cp.	Total expenditure.
P551cu	Total expenditure.	P550cu.	Total expenditure.

P551p	Total expenditure plus imputed values.	P550p; B259; B2631; B2632.	FES Total expenditure; School milk - imputed value last week; Healthy start vouchers – imputed value last week; Nursery milk - imputed value last week.
P551tp	Total expenditure plus imputed values.	P550tp; B259; B2631; B2632.	FES Total expenditure; School milk - imputed value last week; Healthy start vouchers – imputed value last week; Nursery milk - imputed value last week.
P551tu	Total expenditure plus imputed values.	P550tu; B259; B2631; B2632.	FES Total expenditure; School milk - imputed value last week; Healthy start vouchers – imputed value last week; Nursery milk - imputed value last week.
P551u	Total expenditure plus imputed values.	P550u; B259; B2631; B2632.	FES Total expenditure; School milk - imputed value last week; Healthy start vouchers – imputed value last week; Nursery milk - imputed value last week.
P600	COICOP: Total consumption expenditure.	P601; P602; P603; P604; P605; P606; P607; P608; P609; P610; P611; P612.	COICOP: Total Food and non-alcoholic beverage; COICOP: Total Alcoholic Beverages, Tobacco; COICOP: Total Clothing and Footwear; COICOP: Total Housing, Water, Electricity; COICOP: Total Furnishings, HH Equipment, Carpets; COICOP: Total Health Expenditure; COICOP: Total Transport costs; COICOP: Total Communication; COICOP: Total Recreation - adult; COICOP: Total Education; COICOP: Total Restaurants and Hotels; COICOP: Total Miscellaneous Goods and Services.
P600c	COICOP: Total consumption expenditure.	P601c; P602c; P603c; P604c; P605c; P606c; P607c; P608c; P609c; P610c; P611c; P612c.	COICOP: Total Food and non-alcoholic beverage; COICOP: Total Alcoholic Beverages, Tobacco; COICOP: Total Clothing and Footwear; COICOP: Total Housing, Water, Electricity; COICOP: Total Furnishings, HH Equipment, Carpets; COICOP: Total Health Expenditure; COICOP: Total Transport costs; COICOP: Total Communication; COICOP: Total Recreation - child; COICOP: Total Education; COICOP: Total Restaurants and Hotels; COICOP: Total Miscellaneous Goods and Services.

P600t	COICOP: Total consumption expenditure.	P601t; P602t; P603t; P604t; P605t; P606t; P607t; P608t; P609t; P610t; P611t; P612t.	COICOP: Total Food and non-alcoholic beverage; COICOP: Total Alcoholic Beverages, Tobacco; COICOP: Total Clothing and Footwear; COICOP: Total Housing, Water, Electricity; COICOP: Total Furnishings, HH Equipment, Carpets; COICOP: Total Health Expenditure; COICOP: Total Transport costs; COICOP: Total Communication; COICOP: Total Recreation-total; COICOP: Total Education; COICOP: Total Restaurants and Hotels; COICOP: Total Miscellaneous Goods and Services.
P601	COICOP: Total Food and non-alcoholic beverage.	C11111t; C11121t; C11122t; C11131t; C11141t; C11142t; C11151t; C11211t; C11221t; C11231t; C11241t; C11251t; C11252t; C11253t; C11261t; C11271t; C11311t; C11321t; C11331t; C11341t; C11411t; C11421t; C11431t; C11441t; C11451t; C11461t; C11471t; C11511t; C11521t; C11522t; C11531t; C11541t; C11551t; C11611t; C11621t; C11631t; C11641t; C11651t; C11661t; C11671t; C11681t; C11691t; C11711t; C11721t; C11731t; C11741t; C11751t; C11761t; C11771t; C11781t; C11811t; C11821t; C11831t; C11841t; C11851t; C11861t; C11911t; C11921t; C11931t; C11941t; C12111t; C12121t; C12131t; C12211t; C12221t; C12231t; C12241t.	Rice; Bread; Buns, crispbread and biscuits; Pasta products; Cakes and puddings; Pastry (savoury); Other breads and cereals; Beef (fresh, chilled or frozen); Pork (fresh, chilled or frozen); Lamb (fresh, chilled or frozen); Poultry (fresh, chilled or frozen); Sausages; Bacon and ham; Offal, pâté etc; Other preserved or processed meat and meat preparations; Other fresh, chilled or frozen edible meat; Fish (fresh, chilled or frozen); Seafood (fresh, chilled or frozen); Dried, smoked or salted fish and seafood; Other preserved or processed fish & seafood and preparations; Whole milk; Low fat milk; Preserved milk; Yoghurt; Cheese and curd; Other milk products; Eggs; Butter; Margarine and other vegetable fats; Peanut butter; Olive oil; Edible oils; Other edible animal fats; Citrus fruits (fresh); Bananas (fresh); Apples (fresh); Pears (fresh); Stone fruits (fresh); Berries (fresh); Other fresh, chilled or frozen fruits; Dried fruit and nuts; Preserved fruit and fruit-based products; Leaf and stem vegetables (fresh or chilled); Cabbages (fresh or chilled); Vegetables grown for their fruit (fresh, chilled or frozen); Root crops, non-starchy bulbs & mushrooms (fresh or frozen); Dried vegetables; Other preserved or processed vegetables; Potatoes; Other tubers and products of tuber vegetables; Sugar; Jams, marmalades; Chocolate; Confectionery products; Edible ices and ice-cream; Other sugar products; Sauces, condiments; Salt, spices and culinary herbs; Baker's yeast, dessert preparations, soups; Other food products; Coffee; Tea; Cocoa and powdered chocolate; Mineral or spring waters; Soft drinks (Fizzy drinks and juice drink); Fruit juices (Pure fruit juice and squash); Vegetable juices.

P601c	COICOP: Total Food and non-alcoholic beverage.	C11111t; C11121t; C11122t; C11131t; C11141t; C11142t; C11151t; C11211t; C11221t; C11231t; C11241t; C11251t; C11252t; C11253t; C11261t; C11271t; C11311t; C11321t; C11331t; C11341t; C11411t; C11421t; C11431t; C11441t; C11451t; C11461t; C11471t; C11511t; C11521t; C11522t; C11531t; C11541t; C11551t; C11611t; C11621t; C11631t; C11641t; C11651t; C11661t; C11671t; C11681t; C11691t; C11711t; C11721t; C11731t; C11741t; C11751t; C11761t; C11771t; C11781t; C11811t; C11821t; C11831t; C11841t; C11851t; C11861t; C11911t; C11921t; C11931t; C11941t; C12111t; C12121t; C12131t; C12211t; C12221t; C12231t; C12241t.	Rice; Bread; Buns, crispbread and biscuits; Pasta products; Cakes and puddings; Pastry (savoury); Other breads and cereals; Beef (fresh, chilled or frozen); Pork (fresh, chilled or frozen); Lamb (fresh, chilled or frozen); Poultry (fresh, chilled or frozen); Sausages; Bacon and ham; Offal, pâté etc; Other preserved or processed meat and meat preparations; Other fresh, chilled or frozen edible meat; Fish (fresh, chilled or frozen); Seafood (fresh, chilled or frozen); Dried, smoked or salted fish and seafood; Other preserved or processed fish & seafood and preparations; Whole milk; Low fat milk; Preserved milk; Yoghurt; Cheese and curd; Other milk products; Eggs; Butter; Margarine and other vegetable fats; Peanut butter; Olive oil; Edible oils; Other edible animal fats; Citrus fruits (fresh); Bananas (fresh); Apples (fresh); Pears (fresh); Stone fruits (fresh); Berries (fresh); Other fresh, chilled or frozen fruits; Dried fruit and nuts; Preserved fruit and fruit-based products; Leaf and stem vegetables (fresh or chilled); Cabbages (fresh or chilled); Vegetables grown for their fruit (fresh, chilled or frozen); Root crops, non-starchy bulbs & mushrooms (fresh or frozen); Dried vegetables; Other preserved or processed vegetables; Potatoes; Other tubers and products of tuber vegetables; Sugar; Jams, marmalades; Chocolate; Confectionery products; Edible ices and ice-cream; Other sugar products; Sauces, condiments; Salt, spices and culinary herbs; Baker's yeast, dessert preparations, soups; Other food products; Coffee; Tea; Cocoa and powdered chocolate; Mineral or spring waters; Soft drinks (Fizzy drinks and juice drink); Fruit juices (Pure fruit juice and squash); Vegetable juices.
-------	--	--	---

P601t	COICOP: Total Food and non-alcoholic beverage.	C11111t; C11121t; C11122t; C11131t; C11141t; C11142t; C11151t; C11211t; C11221t; C11231t; C11241t; C11251t; C11252t; C11253t; C11261t; C11271t; C11311t; C11321t; C11331t; C11341t; C11411t; C11421t; C11431t; C11441t; C11451t; C11461t; C11471t; C11511t; C11521t; C11522t; C11531t; C11541t; C11551t; C11611t; C11621t; C11631t; C11641t; C11651t; C11661t; C11671t; C11681t; C11691t; C11711t; C11721t; C11731t; C11741t; C11751t; C11761t; C11771t; C11781t; C11811t; C11821t; C11831t; C11841t; C11851t; C11861t; C11911t; C11921t; C11931t; C11941t; C12111t; C12121t; C12131t; C12211t; C12221t; C12231t; C12241t.	Rice; Bread; Buns, crispbread and biscuits; Pasta products; Cakes and puddings; Pastry (savoury); Other breads and cereals; Beef (fresh, chilled or frozen); Pork (fresh, chilled or frozen); Lamb (fresh, chilled or frozen); Poultry (fresh, chilled or frozen); Sausages; Bacon and ham; Offal, pâté etc; Other preserved or processed meat and meat preparations; Other fresh, chilled or frozen edible meat; Fish (fresh, chilled or frozen); Seafood (fresh, chilled or frozen); Dried, smoked or salted fish and seafood; Other preserved or processed fish & seafood and preparations; Whole milk; Low fat milk; Preserved milk; Yoghurt; Cheese and curd; Other milk products; Eggs; Butter; Margarine and other vegetable fats; Peanut butter; Olive oil; Edible oils; Other edible animal fats; Citrus fruits (fresh); Bananas (fresh); Apples (fresh); Pears (fresh); Stone fruits (fresh); Berries (fresh); Other fresh, chilled or frozen fruits; Dried fruit and nuts; Preserved fruit and fruit-based products; Leaf and stem vegetables (fresh or chilled); Cabbages (fresh or chilled); Vegetables grown for their fruit (fresh, chilled or frozen); Root crops, non-starchy bulbs & mushrooms (fresh or frozen); Dried vegetables; Other preserved or processed vegetables; Potatoes; Other tubers and products of tuber vegetables; Sugar; Jams, marmalades; Chocolate; Confectionery products; Edible ices and ice-cream; Other sugar products; Sauces, condiments; Salt, spices and culinary herbs; Baker's yeast, dessert preparations, soups; Other food products; Coffee; Tea; Cocoa and powdered chocolate; Mineral or spring waters; Soft drinks (Fizzy drinks and juice drink); Fruit juices (Pure fruit juice and squash); Vegetable juices.
P602	COICOP: Total Alcoholic Beverages, Tobacco.	C21111; C21211; C21212; C21213; C21214; C21221; C21311; C22111; C22121; C22131; C23111.	Spirits and liqueurs (brought home); Wine from grape or other fruit (brought home); Fortified wine (brought home); Ciders and Perry (brought home); Alcopops (brought home); Champagne and sparkling wines (brought home); Beer and lager (brought home); Cigarettes; Cigars; Other tobacco; Narcotics.
P602c	COICOP: Total Alcoholic Beverages, Tobacco.	C21111c; C21211c; C21212c; C21213c; C21214c; C21221c; C21311c; C22111c; C22121c; C22131c; C23111c.	Spirits and liqueurs (brought home); Wine from grape or other fruit (brought home); Fortified wine (brought home); Ciders and Perry (brought home); Alcopops (brought home); Champagne and sparkling wines (brought home); Beer and lager (brought home); Cigarettes; Cigars; Other tobacco; Narcotics.
P602t	COICOP: Total Alcoholic Beverages, Tobacco.	C21111t; C21211t; C21212t; C21213t; C21214t; C21221t; C21311t; C22111t; C22121t; C22131t; C23111t.	Spirits and liqueurs (brought home); Wine from grape or other fruit (brought home); Fortified wine (brought home); Ciders and Perry (brought home); Alcopops (brought home); Champagne and sparkling wines (brought home); Beer and lager (brought home); Cigarettes; Cigars; Other tobacco; Narcotics.

P603	COICOP: Total Clothing and Footwear.	C31111; C31211; C31212; C31221; C31222; C31231; C31232; C31233; C31234; C31311; C31312; C31313; C31314; C31315; C31411; C31412; C31413; C32111; C32121; C32131; C32211.	Clothing materials; Men's outer garments; Men's under garments; Women's outer garments; Women's under garments; Boy's outer garments (5-15); Girls' outer garments (5-15); Infant's outer garments (under 5); Children's under garments (under 16); Men's accessories; Women's accessories; Members's accessories; Haberdashery; Protective head gear (crash helmets); Clothing hire; Dry cleaners and dyeing; Laundry, laundrettes; Footwear for men; Footwear for women; Footwear for members (5-15) and infants (under 5); Repair and hire of footwear.
P603c	COICOP: Total Clothing and Footwear.	C31111c; C31211c; C31212c; C31221c; C31222c; C31231c; C31232c; C31233c; C31234c; C31311c; C31312c; C31313c; C31314c; C31315c; C31411c; C31412c; C31413c; C32111c; C32121c; C32131c; C32211c.	Clothing materials; Men's outer garments; Men's under garments; Women's outer garments; Women's under garments; Boy's outer garments (5-15); Girls' outer garments (5-15); Infant's outer garments (under 5); Children's under garments (under 16); Men's accessories; Women's accessories; Members's accessories; Haberdashery; Protective head gear (crash helmets); Clothing hire; Dry cleaners and dyeing; Laundry, laundrettes; Footwear for men; Footwear for women; Footwear for members and infants; Repair and hire of footwear.
P603t	COICOP: Total Clothing and Footwear.	C31111t; C31211t; C31212t; C31221t; C31222t; C31231t; C31232t; C31233t; C31234t; C31311t; C31312t; C31313t; C31314t; C31315t; C31411t; C31412t; C31413t; C32111t; C32121t; C32131t; C32211t.	Clothing materials; Men's outer garments; Men's under garments; Women's outer garments; Women's under garments; Boy's outer garments (5-15); Girls' outer garments (5-15); Infant's outer garments (under 5); Children's under garments (under 16); Men's accessories; Women's accessories; Members's accessories; Haberdashery; Protective head gear (crash helmets); Clothing hire; Dry cleaners and dyeing; Laundry, laundrettes; Footwear for men; Footwear for women; Footwear for members and infants; Repair and hire of footwear.
P604	COICOP: Total Housing, Water, Electricity.	B010; B020; B102; B104; B107; B108; B050; B060; B159; B175; B224; B170; B223; B018; B017; B053u; B056u; C41211; C43111; C43112; C44211; C45112; C45114; C45212; C45214; C45222; C45312; C45411; C45412; C45511; C44112u;(-B173); (-B178).	Rent/rates - last net payment; Net rent - service charge deducted; Central heating repairs - second dwelling; Central heating repairs - main dwelling; House maintenance etc - main dwelling; House maintenance etc - second dwelling; Water charges - last net payment; Other regular housing payments; Service charge included in rent - amount; Electricity - amount paid in last account; Electricity - amount of payment; Gas - amount paid in last account; Gas - amount of payment; Bottled gas for central heating - amount; Oil for central heating cost last quarter; Council water tax - weekly amount paid; Council sewerage tax - weekly amount paid; Second dwelling - rent; Paint, wallpaper, timber; Equipment hire, small materials; Refuse collection, including skip hire; Second dwelling: electricity account payment; Electricity slot meter payment; Second dwelling: gas account payment; Gas slot meter payment; Bottled gas - other; Paraffin; Coal and coke; Wood and peat; Hot water, steam and ice; Water supply – second dwelling; [Minus Gas - amount last rebate]; [minus electricity - amount last rebate].

P604c	COICOP: Total Housing, Water, Electricity.	C43111c; C43112c; C43212c; C44211c; C45114c; C45214c; C45222c; C45312c; C45411c; C45412c; C45511c.	Paint, wallpaper, timber; Equipment hire, small materials; Other services for the maintenance and repair of the dwelling; Refuse collection, including skip hire; Electricity slot meter payment; Gas slot meter payment; Bottled gas - other; Paraffin; Coal and coke; Wood and peat; Hot water, steam and ice.
P604t	COICOP: Total Housing, Water, Electricity.	B010; B020; B102; B104; B107; B108; B050; B060; B159; B175; B224; B170; B223; B018; B017; B053u; B056u; C41211t; C43111t; C43112t; C43212c; C44211t; C45112t; C45114t; C45212t; C45214t; C45222t; C45312t; C45411t; C45412t; C45511t; C44112u; (-B173); (-B178).	Rent/rates - last net payment; Net rent - service charge deducted; Central heating repairs - second dwelling; Central heating repairs - main dwelling; House maintenance etc - main dwelling; House maintenance etc - second dwelling; Water charges - last net payment; Other regular housing payments; Service charge included in rent - amount; Electricity - amount paid in last account; Electricity - amount of payment; Gas - amount paid in last account; Gas - amount of payment; Bottled gas for central heating - amount; Oil for central heating cost last quarter; Council water tax - weekly amount paid; Council sewerage tax - weekly amount paid; Second dwelling - rent; Paint, wallpaper, timber; Equipment hire, small materials; Other services for the maintenance and repair of the dwelling; Refuse collection, including skip hire; Second dwelling: electricity account payment; Electricity slot meter payment; Second dwelling: gas account payment; Gas slot meter payment; Bottled gas - other; Paraffin; Coal and coke; Wood and peat; Hot water, steam and ice; Water supply – second dwelling; [Minus Gas - amount last rebate]; [minus electricity - amount last rebate].
P605	COICOP: Total Furnishings, HH Equipment, Carpets.	B270; B271; C51212; C51113; C51114; C51311; C52111; C52112; C53111; C53121; C53122; C53131; C53132; C53133; C53141; C53151; C53161; C53171; C53211; C53311; C53312; C53313; C53314; C54111; C54121; C54131; C54141; C55111; C55112; C55211; C55212; C55213; C55214; C56111; C56112; C56121; C56122; C56123; C56124; C56125; C56211; C56221; C56222; C56223.	Furniture; Soft floor coverings; Hard floor coverings; Fancy decorative goods; Garden furniture; Repair of furniture, furnishings and floor coverings; Bedroom textiles, including duvets and pillows; Other household textiles, including cushions, towels, curtains; Refrigerators, freezers and fridge-freezers; Clothes washing machines and clothes drying machines; Dish washing machines; Gas cookers; Electric cookers, combined gas / electric cookers; Microwave ovens; Heaters, air conditioners, shower units; Vacuum cleaners and steam cleaners; Sewing and knitting machines; Fire extinguisher, water softener, safes etc; Small electric household appliances, excluding hairdryers; Spare parts: gas and electric appliances; Electrical appliance repairs; Gas appliance repairs; Rental/hire of major hhold appliances; Glassware, china, pottery; Cutlery and silverware; Kitchen utensils; Repair of glassware, tableware and household utensils; Electrical tools; Lawn mowers and related accessories; Small tools; Door, electrical and other fittings; Garden tools and equipment; Electrical consumables; Detergents, washing-up liquid, washing powder; Disinfectants, polishes, other cleaning mats, pest control prdcts; Kitchen disposables; Household hardware and appliances, matches; Kitchen gloves, cloths etc; Pins, needles and tape measures; Nails, nuts, bolts, washers, tape and glue; Domestic services, including cleaners, gardeners, au pairs; Cleaning of carpets, curtains and household linen; Other household services; Hire of hhold furniture & furnishings.

P605c	COICOP: Total Furnishings, HH Equipment, Carpets.	C51111c; C51211c; C51212c.	Household furniture and furnishings; Carpets and rugs; Hard floor coverings.
P605t	COICOP: Total Furnishings, HH Equipment, Carpets.	B270; B271; C51111c; C51211c; C51212t; C51113t; C51114t; C51311t; C52111t; C52112t; C53111t; C53121t; C53122t; C53131t; C53132t; C53133t; C53141t; C53151t; C53161t; C53171t; C53211t; C53311t; C53312t; C53313t; C53314t; C54111t; C54121t; C54131t; C54132t; C54141t; C55111t; C55112t; C55211t; C55212t; C55213t; C55214t; C56111t; C56112t; C56121t; C56122t; C56123t; C56124t; C56125t; C56211t; C56221t; C56222t; C56223t.	Furniture; Soft floor coverings; Household furniture and furnishings; Carpets and rugs; Hard floor coverings; Fancy decorative goods; Garden furniture; Repair of furniture, furnishings and floor coverings; Bedroom textiles, including duvets and pillows; Other household textiles, including cushions, towels, curtains; Refrigerators, freezers and fridge-freezers; Clothes washing machines and clothes drying machines; Dish washing machines; Gas cookers; Electric cookers, combined gas / electric cookers; Microwave ovens; Heaters, air conditioners, shower units; Vacuum cleaners and steam cleaners; Sewing and knitting machines; Fire extinguisher, water softener, safes etc; Small electric household appliances, excluding hairdryers; Spare parts: gas and electric appliances; Electrical appliance repairs; Gas appliance repairs; Rental/hire of major household appliances; Glassware, china, pottery; Cutlery and silverware; Kitchen utensils; Storage and other durable household articles; Repair of glassware, tableware and household utensils; Electrical tools; Lawn mowers and related accessories; Small tools; Door, electrical and other fittings; Garden tools and equipment; Electrical consumables; Detergents, washing-up liquid, washing powder; Disinfectants, polishes, other cleaning mats, pest control products; Kitchen disposables; Household hardware and appliances, matches; Kitchen gloves, cloths etc; Pins, needles and tape measures; Nails, nuts, bolts, washers, tape and glue; Domestic services, including cleaners, gardeners, au pairs; Cleaning of carpets, curtains and household linen; Other household services; Hire of household furniture & furnishings.
P606	COICOP: Total Health Expenditure.	C61111; C61112; C61211; C61311; C61312; C61313; C62111; C62112; C62113; C62114; C62211; C62212; C62311; C62321; C62322; C62331; C63111.	NHS prescription charges and payments; Medicines and medical goods (not NHS); Other medical products (eg plasters, condoms, tubigrip etc); Purchase of spectacles, lenses, prescription sunglasses; Accessories/repairs to spectacles/lenses; Non-optical appliances and equipment (eg wheelchairs etc); NHS medical services; Private medical services; NHS optical services; Private optical services; NHS dental services; Private dental services; Services of medical analysis laboratories and x-ray centres; Services of NHS medical auxiliaries; Services of private medical auxiliaries; Non-hospital ambulance services; Hospital services.

P606c	COICOP: Total Health Expenditure.	C61111c; C61112c; C61211c; C61311c; C61312c; C61313c; C62111c; C62112c; C62113c; C62114c; C62211c; C62212c; C62311c; C62321c; C62322c; C62331c; C63111c.	NHS prescription charges and payments; Medicines and medical goods (not NHS); Other medical products (eg plasters, condoms, tubigrip etc); Purchase of spectacles, lenses, prescription sunglasses; Accessories/repairs to spectacles/lenses; Non-optical appliances and equipment (eg wheelchairs etc); NHS medical services; Private medical services; NHS optical services; Private optical services; NHS dental services; Private dental services; Services of medical analysis laboratories and x-ray centres; Services of NHS medical auxiliaries; Services of private medical auxiliaries; Non-hospital ambulance services; Hospital services.
P606t	COICOP: Total Health Expenditure.	C61111t; C61112t; C61211t; C61311t; C61312t; C61313t; C62111t; C62112t; C62113t; C62114t; C62211t; C62212t; C62311t; C62321t; C62322t; C62331t; C63111t.	NHS prescription charges and payments; Medicines and medical goods (not NHS); Other medical products (eg plasters, condoms, tubigrip etc); Purchase of spectacles, lenses, prescription sunglasses; Accessories/repairs to spectacles/lenses; Non-optical appliances and equipment (eg wheelchairs etc); NHS medical services; Private medical services; NHS optical services; Private optical services; NHS dental services; Private dental services; Services of medical analysis laboratories and x-ray centres; Services of NHS medical auxiliaries; Services of private medical auxiliaries; Non-hospital ambulance services; Hospital services.
P607	COICOP: Total Transport costs.	B244; B245; B247; B249; B250; B252; B248; B218; B217; B219; B216; C71112; C71122; C71212; C71311; C71411; C72111; C72112; C72113; C72114; C72115; C72211; C72212; C72213; C72313; C72314; C72411; C72412; C72413; C72414; C73112; C73212; C73213; C73214; C73311; C73312; C73411; C73512; C73513; C73611.	Vehicle - cost of new car van outright; Vehicle - cost of second hand car van outright; Vehicle - cost of motorcycles outright; Car or van - servicing: amount paid; Car or van - other works, repairs: amount paid; Motor cycle - services, repairs: amount paid; Car leasing - expenditure on; Season ticket - rail / tube - total net amount; Season ticket - bus / coach - total net amount; Water travel season ticket; Bus + tube and/or rail season; Loan / HP purchase of new car/van; Loan / HP purchase of second-hand car/van; Loan / HP purchase of new or second-hand motorcycle; Purchase of bicycle; Animal drawn vehicles; Car / van accessories and fittings; Car / van spare parts; Motorcycle accessories and spare parts; Anti-freeze, battery water, cleaning materials; Bicycle accessories, repairs and other costs; Petrol; Diesel oil; Other motor oils; Motoring organisation subscription (eg AA and RAC); Car washing and breakdown services; Parking fees, tolls, and permits (excluding motoring fines); Garage rent, MOT etc; Driving lessons; Hire of self-drive cars, vans, bicycles; Railway and tube fares other than season tickets; Bus and coach fares other than season tickets; Taxis and hired cars with drivers; Other personal travel; Air fares (within UK); Air fares (international); Water travel; Combined fares other than season tickets; School travel; Delivery charges and other transport services.

P607c	COICOP: Total Transport costs.	C71111c; C71121c; C71211c; C71311c; C71411c; C72111c; C72112c; C72113c; C72114c; C72115c; C72211c; C72212c; C72213c; C72311c; C72312c; C72313c; C72314c; C72411c; C72412c; C72413c; C72414c; C73112c; C73212c; C73213c; C73214c; C73311c; C73312c; C73411c; C73512c; C73513c; C73611c.	Outright purchase of new car/van; Outright purchase of second-hand car/van; Outright purchase of new or second-hand motorcycle; Purchase of bicycle; Animal drawn vehicles; Car / van accessories and fittings; Car / van spare parts; Motorcycle accessories and spare parts; Anti-freeze, battery water, cleaning materials; Bicycle accessories, repairs and other costs; Petrol; Diesel oil; Other motor oils; Car or van repairs and servicing; Motor cycle repairs, service; Motoring organisation subscription (eg AA and RAC); Car washing and breakdown services; Parking fees, tolls, and permits (excluding motoring fines); Garage rent, MOT etc; Driving lessons; Hire of self-drive cars, vans, bicycles; Railway and tube fares other than season tickets; Bus and coach fares other than season tickets; Taxis and hired cars with drivers; Other personal travel; Air fares (within UK); Air fares (international); Water travel; Combined fares other than season tickets; School travel; Delivery charges and other transport services.
P607t	COICOP: Total Transport costs.	B244; B245; B247; B249; B250; B252; B248; B218; B217; B219; B216; C71111c; C71112t; C71121c; C71122t; C71211c; C71212t; C71311t; C71411t; C72111t; C72112t; C72113t; C72114t; C72115t; C72211t; C72212t; C72213t; C72311c; C72312c; C72313t; C72314t; C72411t; C72412t; C72413t; C72414t; C73112t; C73212t; C73213t; C73214t; C73311t; C73312t; C73411t; C73512t; C73513t; C73611t.	Vehicle - cost of new car van outright; Vehicle - cost of second hand car van outright; Vehicle - cost of motorcycles outright; Car or van - servicing: amount paid; Car or van - other works, repairs: amount paid; Motor cycle - services, repairs: amount paid; Car leasing - expenditure on; Season ticket - rail / tube - total net amount; Season ticket - bus / coach - total net amount; Water travel season ticket; Bus + tube and/or rail season; Outright purchase of new car/van; Loan / HP purchase of new car/van; Outright purchase of second-hand car/van; Loan / HP purchase of second-hand car/van; Outright purchase of new or second-hand motorcycle; Loan / HP purchase of new or second-hand motorcycle; Purchase of bicycle; Animal drawn vehicles; Car / van accessories and fittings; Car / van spare parts; Motorcycle accessories and spare parts; Anti-freeze, battery water, cleaning materials; Bicycle accessories, repairs and other costs; Petrol; Diesel oil; Other motor oils; Car or van repairs and servicing; Motor cycle repairs, service; Motoring organisation subscription (eg AA and RAC); Car washing and breakdown services; Parking fees, tolls, and permits (excluding motoring fines); Garage rent, MOT etc; Driving lessons; Hire of self-drive cars, vans, bicycles; Railway and tube fares other than season tickets; Bus and coach fares other than season tickets; Taxis and hired cars with drivers; Other personal travel; Air fares (within UK); Air fares (international); Water travel; Combined fares other than season tickets; School travel; Delivery charges and other transport services.
P608	COICOP: Total Communication.	B166; B1661; B195; C81111; C82111; C82112; C82113; C83112; C83114; C83115.	Telephone, household share of account (excl mobiles); Mobile telephone account; Internet – weekly amount; Postage and poundage; Telephone purchase; Mobile phone purchase; Answering machines, fax machines, modem purchase; Telephone coin and other payments; Mobile phone - other payments; Second dwelling: telephone account payments.

P608c	COICOP: Total Communication.	C81111c; C82111c; C82112c; C82113c; C83111c; C83112c; C83113c; C83114c; C83115c.	Postage and poundage; Telephone purchase; Mobile phone purchase; Answering machines, fax machines, modem purchase; Telephone account payments; Telephone coin and other payments; Mobile phone account payments; Mobile phone - other payments; Second dwelling: telephone account payments.
P608t	COICOP: Total Communication.	B166; B1661; B195; C81111t; C82111t; C82112t; C82113t; C83111c; C83112t; C83113c; C83114t; C83115t.	Telephone, household share of account (excl mobiles); Mobile telephone account; Internet – weekly amount; Postage and poundage; Telephone purchase; Mobile phone purchase; Answering machines, fax machines, modem purchase; Telephone account payments; Telephone coin and other payments; Mobile phone account payments; Mobile phone - other payments; Second dwelling: telephone account payments.

P609	COICOP: Total Recreation - adult.	<p>B162; B181; B191; B192; B193; B480; B481; B2441; B2451; C91111; C91112; C91113; C91121; C91122; C91123; C91124; C91125; C91126; C91127; C91128; C91211; C91221; C91311; C91411; C91412; C91413; C91414; C91511; C92111; C92112; C92117; C92211; C92221; C92311; C93111; C93112; C93113; C93114; C93211; C93212; C93311; C93312; C93313; C93411; C93412; C93511; C94111; C94112; C94113; C94115; C94211; C94212; C94221; C94232; C94236; C94238; C94239; C94241; C94242; C94243; C94244; C94245; C94246; C94311; C94312; C94313; C94314; C94315; C94316; C94319; C95111; C95211; C95212; C95311; C95411; C92114; C92116.</p>	<p>Leisure class fees paid - amount; TV licence - amount paid last year; Rent for TV Satellite VCR - weekly amount; Satellite subscription - weekly amount; Cable subscription - weekly amount; Holiday package within United Kingdom; Holiday package outside United Kingdom; Vehicle cost of new motor caravan outright; Vehicle cost of 2nd hand motor caravan outright; Audio equipment, CD players; Audio equipment - in car; Accessories for audio equipment - headphones etc; Television set purchase; Satellite dish purchase; Satellite dish installation; Video recorder purchase; Purchase of digital TV decoder; Spare parts for TV, video, audio; Cable TV connection; DVD purchase – adult; Photographic and cinematographic equipment; Optical instruments, binoculars, telescopes, microscopes; Personal computers, printers and calculators; Records, CDs, audio cassettes; Blank and pre-recorded video cassettes; Camera films; Blank and pre-recorded DVDs; Repair of audio-visual, photographic & infrmatn prsng eqpmnt; Purchase of boats, trailers and horses; Purchase of caravans, mobile homes (including decoration); Accessories for boats, horses, caravans and motor caravans; Musical instruments (purchase and hire); Major durables for indoor recreation (eg snooker table etc); Maintenance & repair of other durables for recreation & culture; Games, toys and hobbies (excluding artists materials); Computer software and game cartridges; Console computer games; Games toys etc (misc. fancy, decorative); Equipment for sport, camping and open-air recreation; BBQ and swings; Plants, flowers, seeds, fertilisers, insecticides; Garden decorative; Artificial flowers, pot pourri; Pet food; Pet purchase and accessories; Veterinary and other services for pets identified separately; Spectator sports: admission charges; Participant sports (excluding subscriptions); Subscriptions to sports and social clubs; Hire of equipment & accessories for sport & open-air recreation ; Cinemas; Live entertainment: theatre, concerts, shows; Museums, zoological gardens, theme parks; TV licence payments (Second dwelling); TV slot meter payments; Video cassette rental; Cassette hire (library), CD hire (library); Admissions to clubs, dances, discos, bingo; Social events and gatherings; Subscriptions for leisure activities; Other subscriptions; Internet subscription fees; Development of film, film development, & other photos; Football pools stakes; Bingo stakes excluding admission; Lottery (not National Irish Lottery) stakes; Bookmaker, tote, other betting stakes; Irish Lottery Stakes; National Lottery instants - Scratchcards; National Lottery stakes ; Books; Newspapers; Magazines and periodicals; Cards, calendars, posters and other printed matter; Stationery, diaries, address books, art materials; Purchase of motor caravan (new) - loan/HP; Purchase of motor caravan (second-hand) - loan/HP.</p>
------	-----------------------------------	--	---

P609c	COICOP: Total Recreation - child.	<p>C91111c; C91112c; C91113c; C91121c; C91122c; C91123c; C91124c; C91125c; C91126c; C91127c; C91128c; C91211c; C91221c; C91311c; C91411c; C91412c; C91413c; C91414c; C91511c; C92111c; C92117c; C92211c; C92221c; C92311c; C93111c; C93112c; C93113c; C93114c; C93211c; C93212c; C93311c; C93312c; C93313c; C93411c; C93412c; C93511c; C94111c; C94112c; C94113c; C94114c; C94115c; C94211c; C94212c; C94221c; C94231c; C94233c; C94235c; C94236c; C94237c; C94238c; C94239c; C94241c; C94242c; C94243c; C94244c; C94245c; C94246c; C94311c; C94312c; C94313c; C94314c; C94315c; C94316c; C94319c; C95111c; C95211c; C95212c; C95311c; C95411c; C96111c; C96112c; C92113c; C92115c</p>	<p>Audio equipment, CD players; Audio equipment - in car; Accessories for audio equipment - headphones etc; Television set purchase; Satellite dish purchase; Satellite dish installation; Video recorder purchase; Purchase of digital TV decoder; Spare parts for TV, video, audio; Cable TV connection; DVD purchase -child ; Photographic and cinematographic equipment; Optical instruments, binoculars, telescopes, microscopes; Personal computers, printers and calculators; Records, CDs, audio cassettes; Blank and pre-recorded video cassettes; Camera films; Blank and pre-recorded DVDs; ; Repair of audio-visual, photographic & infrmatn prsng eqpmnt; Purchase of boats, trailers and horses; Purchase of caravans, mobile homes (including decoration); Accessories for boats, horses, caravans and motor caravans; Musical instruments (purchase and hire); Major durables for indoor recreation (eg snooker table etc); Maintenance & repair of other durables for recreation & culture; Games, toys and hobbies (excluding artists materials); Computer software and game cartridges; Console computer games; Games toys etc (misc. fancy, decorative); Equipment for sport, camping and open-air recreation; BBQ and swings; Plants, flowers, seeds, fertilisers, insecticides; Garden decorative; Artificial flowers, pot pourri; Pet food; Pet purchase and accessories; Veterinary and other services for pets identified separately; Spectator sports: admission charges; Participant sports (excluding subscriptions); Subscriptions to sports and social clubs; Hire of equipment & accessories for sport & open-air recreation ; Cinemas; Live entertainment: theatre, concerts, shows; Museums, zoological gardens, theme parks; TV licence payments (Second dwelling); TV slot meter payments; Video cassette rental; Cassette hire (library), CD hire (library); Admissions to clubs, dances, discos, bingo; Social events and gatherings; Subscriptions for leisure activities; Other subscriptions; Internet subscription fees; Development of film, film development, & other photos; Football pools stakes; Bingo stakes excluding admission; Lottery (not National Irish Lottery) stakes; Bookmaker, tote, other betting stakes; Irish Lottery Stakes; National Lottery instants - Scratchcards; National Lottery stakes ; Books; Newspapers; Magazines and periodicals; Cards, calendars, posters and other printed matter; Stationery, diaries, address books, art materials; Purchase of motor caravan (new) - loan/HP; Purchase of motor caravan (second-hand) - loan/HP.</p>
-------	-----------------------------------	--	--

P609t	COICOP: Total Recreation-total.	<p>B162; B181; B191; B192; B193; B480; B481; B2441; B2451; C91111t; C91112t; C91113t; C91121t; C91122t; C91123t; C91124t; C91125t; C91126t; C91127t; C91128t; C91211t; C91221t; C91311t; C91411t; C91412t; C91413t; C91414t; C91511t; C92111t; C92112t; C92117t; C92211t; C92221t; C92311t; C93111t; C93112t; C93113t; C93114t; C93211t; C93212t; C93311t; C93312t; C93313t; C93411t; C93412t; C93511t; C94111t; C94112t; C94113t; C94114c; C94115t; C94211t; C94212t; C94221t; C94231c; C94232t; C94233c; C94235c; C94236t; C94237c; C94238t; C94239t; C94241t; C94242t; C94243t; C94244t; C94245t; C94246t; C94311t; C94312t; C94313t; C94314t; C94315t; C94316t; C94319t; C95111t; C95211t; C95212t; C95311t; C95411t; C96111c; C96112c; C92113c; C92114t; C92115c; C92116t</p>	<p>Leisure class fees paid - amount; TV licence - amount paid last year; Rent for TV Satellite VCR - weekly amount; Satellite subscription - weekly amount; Cable subscription - weekly amount; Holiday package within United Kingdom; Holiday package outside United Kingdom; Vehicle cost of new motor caravan outright; Vehicle cost of 2nd hand motor caravan outright; Audio equipment, CD players; Audio equipment - in car; Accessories for audio equipment - headphones etc; Television set purchase; Satellite dish purchase; Satellite dish installation; Video recorder purchase; Purchase of digital TV decoder; Spare parts for TV, video, audio; Cable TV connection; DVD purchase - total ; Photographic and cinematographic equipment; Optical instruments, binoculars, telescopes, microscopes; Personal computers, printers and calculators; Records, CDs, audio cassettes; Blank and pre-recorded video cassettes; Camera films; Blank and pre-recorded DVDs; ; Repair of audio-visual, photographic & infrmatn prsng eqpmnt; Purchase of boats, trailers and horses; Purchase of caravans, mobile homes (including decoration); Accessories for boats, horses, caravans and motor caravans; Musical instruments (purchase and hire); Major durables for indoor recreation (eg snooker table etc); Maintenance & repair of other durables for recreation & culture; Games, toys and hobbies (excluding artists materials); Computer software and game cartridges; Console computer games; Games toys etc (misc. fancy, decorative); Equipment for sport, camping and open-air recreation; BBQ and swings; Plants, flowers, seeds, fertilisers, insecticides; Garden decorative; Artificial flowers, pot pourri; Pet food; Pet purchase and accessories; Veterinary and other services for pets identified separately; Spectator sports: admission charges; Participant sports (excluding subscriptions); Subscriptions to sports and social clubs; Hire of equipment & accessories for sport & open-air recreation ; Cinemas; Live entertainment: theatre, concerts, shows; Museums, zoological gardens, theme parks; TV licence payments (Second dwelling); TV slot meter payments; Video cassette rental; Cassette hire (library), CD hire (library); Admissions to clubs, dances, discos, bingo; Social events and gatherings; Subscriptions for leisure activities; Other subscriptions; Internet subscription fees; Development of film, film development, & other photos; Football pools stakes; Bingo stakes excluding admission; Lottery (not National Irish Lottery) stakes; Bookmaker, tote, other betting stakes; Irish Lottery Stakes; National Lottery instants - Scratchcards; National Lottery stakes ; Books; Newspapers; Magazines and periodicals; Cards, calendars, posters and other printed matter; Stationery, diaries, address books, art materials; Purchase of motor caravan (new) - loan/HP; Purchase of motor caravan (second-hand) - loan/HP.</p>
-------	---------------------------------	--	--

P610	COICOP: Total Education.	B160; B164; CA1113; CA2113; CA3113; CA4113; CA5113.	Education – total amount paid last quarter; Members outside household – total educ fees for last quarter; Pre-primary and primary education: (pymnts fr school trips etc); Secondary education: (payments for school trips, etc); Further education: (payments for school trips, other ad hoc exp); Higher education: (payments for school trips, other ad hoc exp); Education undefined: (payments for school trips, etc).
P610c	COICOP: Total Education.	CA1111c; CA1112c; CA1113c; CA2111c; CA2112c; CA2113c; CA3111c; CA3112c; CA3113c; CA4111c; CA4112c; CA4113c; CA5111c; CA5112c; CA5113c.	Pre-primary & primary education: (Fees etc for education); Pre-primary & primary education: (Fees for non hhld member); Pre-primary and primary education: (pymnts fr school trips etc); Secondary education: (Fees/maintenance for educctl courses); Secondary education: (Fees/maintenance fr non-hhold member); Secondary education: (payments for school trips, etc); Further education: (Fees/maintenance for educational courses); Further education: (Fees/maintenance for non-hhold member); Further education: (payments for school trips, other ad hoc exp); Higher education: (Fees/maintenance for educational courses); Higher education: (Fees/maintenance for non-hhold member); Higher education: (payments for school trips, other ad hoc exp); Education not definable by level: (Fees etc educational courses); Education undefined: (Fees etc for non-household member); Education undefined: (payments for school trips, etc).
P610t	COICOP: Total Education.	B160; B164; CA1111c; CA1112c; CA1113t; CA2111c; CA2112c; CA2113t; CA3111c; CA3112c; CA3113t; CA4111c; CA4112c; CA4113t; CA5111c; CA5112c; CA5113t.	Education – total amount paid last quarter; Members outside household – total educ fees for last quarter; Pre-primary & primary education: (Fees etc for education); Pre-primary & primary education: (Fees for non hhld member); Pre-primary and primary education: (pymnts fr school trips etc); Secondary education: (Fees/maintenance for educctl courses); Secondary education: (Fees/maintenance fr non-hhold member); Secondary education: (payments for school trips, etc); Further education: (Fees/maintenance for educational courses); Further education: (payments for school trips, other ad hoc exp); Higher education: (Fees/maintenance for educational courses); Higher education: (Fees/maintenance for non-hhold member); Higher education: (payments for school trips, other ad hoc exp); Education not definable by level: (Fees etc educational courses); Education undefined: (Fees etc for non-household member); Education undefined: (payments for school trips, etc).

P611	COICOP: Total Restaurants and Hotels.	B260; B482; B483; B484; CB1111; CB1112; CB1113; CB1114; CB1115; CB1116; CB111C; CB111D; CB111E; CB111F; CB111G; CB111H; CB111I; CB111J; CB1121; CB1122; CB1123; CB1124; CB1125; CB1126; CB1127; CB1128; CB112B; CB1213; CB2114.	School meals - total amount paid last week; Holiday hotel within United Kingdom; Holiday hotel outside United Kingdom; Holiday self-catering within United Kingdom; Catered food non-alcoholic drink eaten / drunk on premises; Confectionery eaten off premises; Ice cream eaten off premises; Soft drinks drunk off premises (Fizzy drinks and juice drinks); Hot food eaten off premises; Cold food eaten off premises; Spirits and liqueurs (away from home); Wine from grape or other fruit (away from home); Fortified wines (away from home); Ciders and Perry (away from home); Alcopops (away from home); Champagne and sparkling wines (away from home); Beer and lager (away from home); Round of drinks (away from home); Food non-alcoholic drinks eaten drunk on premises; Confectionery; Ice cream; Soft drinks (Fizzy drinks and juice drinks); Hot food; Cold food; Hot take-away meal eaten at home; Cold take-away meal eaten at home; Contract catering (food); Meals bought and eaten at the workplace; Room hire.
P611c	COICOP: Total Restaurants and Hotels.	CB1117c; CB1118c; CB1119c; CB111Ac; CB111Bc; CB111Cc; CB111Dc; CB111Ec; CB111Fc; CB111Gc; CB111Hc; CB111Ic; CB111Jc; CB1127c; CB1128c; CB112Bc; CB2111c; CB2112c; CB2114c.	Confectionery (child); Ice cream (child); Soft drinks (child) (Fizzy drinks and juice drinks); Hot food (child); Cold food (child); Spirits and liqueurs (away from home); Wine from grape or other fruit (away from home); Fortified wines (away from home); Ciders and Perry (away from home); Alcopops (away from home); Champagne and sparkling wines (away from home); Beer and lager (away from home); Round of drinks (away from home); Hot take away meal eaten at home; Cold take away meal eaten at home; Contract catering (food); Holidays in UK (accommodation), excluding timeshares; Holidays abroad (accommodation), excluding timeshares; Room hire.
P611t	COICOP: Total Restaurants and Hotels.	B260t; B482; B483; B484; CB1111t; CB1112t; CB1113t; CB1114t; CB1115t; CB1116t; CB1117c; CB1118c; CB1119c; CB111Ac; CB111Bc; CB111Ct; CB111Dt; CB111Et; CB111Ft; CB111Gt; CB111Ht; CB111It; CB111Jt; CB1121t; CB1122t; CB1123t; CB1124t; CB1125t; CB1126t; CB1127t; CB1128t; CB112Bt; CB1213t; CB2111c; CB2112c; CB2114t.	School meals - total amount paid last week; Holiday hotel within United Kingdom; Holiday hotel outside United Kingdom; Holiday self-catering within United Kingdom; Catered food non-alcoholic drink eaten / drunk on premises; Confectionery eaten off premises; Ice cream eaten off premises; Soft drinks drunk off premises (Fizzy drinks and juice drinks); Hot food eaten off premises; Cold food eaten off premises; Confectionery (child); Ice cream (child); Soft drinks (child) (Fizzy drinks and juice drinks); Hot food (child); Cold food (child); Spirits and liqueurs (away from home); Wine from grape or other fruit (away from home); Fortified wines (away from home); Ciders and Perry (away from home); Alcopops (away from home); Champagne and sparkling wines (away from home); Beer and lager (away from home); Round of drinks (away from home); Food non-alcoholic drinks eaten drunk on premises; Confectionery; Ice cream; Soft drinks (Fizzy drinks and juice drinks); Hot food; Cold food; Hot take away meal eaten at home; Cold take away meal eaten at home; Contract catering (food); Meals bought and eaten at the workplace; Holidays in UK (accommodation), excluding timeshares; Holidays abroad (accommodation), excluding timeshares; Room hire.

P612	COICOP: Total Miscellaneous Goods and Services.	B110; B168; B188; B1802; B238; B273; B280; B281; B282; B283; B229; CC1111; CC1211; CC1311; CC1312; CC1313; CC1314; CC1315; CC1316; CC1317; CC2111; CC3111; CC3112; CC3211; CC3221; CC3222; CC3223; CC3224; CC4111; CC4112; CC4121; CC4122; CC5213; CC5411c; CC5412; CC5413; CC6212; CC6214; CC7111; CC7112; CC7113; CC7114; CC7115; CC7116.	Structure insurance - last payment; Contents insurance - amount of last premium; Vehicle insurance - amount paid last year; Bank & Building societies charges - net amount last 3 mths; Annual standing charge for credit cards weekly amnt; Moving house; Property transaction - purchase and sale; Property transaction - sale only; Property transaction - purchase only; Property transaction - other payments; Medical insurance - total amount premium; Hairdressing salons and personal grooming establishments; Electrical appliances for personal care, incl hairdryers etc; Toilet paper; Toiletries (disposables - tampons, lip balm, toothpaste etc); Bar of soap, liquid soap, shower gel etc; Toilet requisites (durables - razors, hairbrushes, etc); Hair products; Cosmetics and related accessories; Baby toiletries and accessories (disposable); Prostitution; Jewellery, clocks and watches; Repairs to personal goods; Leather and travel goods (excluding baby items); Other personal effects n.e.c.; Baby equipment (excluding prams and pushchairs); Prams, pram accessories and pushchairs; Sunglasses (non-prescription); Residential homes; Home help; Nursery, creche, playschools; Child care payments; Insurance for household appliances; Vehicle insurance; Boat insurance (not home); Non-package holiday, other travel insurance; Bank and Post Office counter charges; Commission travellers cheques and currency; Legal fees paid to banks; Legal fees paid to solicitors; Other payments for services eg photocopying; Funeral expenses; Other professional fees incl court fines; TU and professional organisations.
P612c	COICOP: Total Miscellaneous Goods and Services.	CC1111c; CC1211c; CC1311c; CC1312c; CC1313c; CC1314c; CC1315c; CC1316c; CC1317c; CC2111c; CC3111c; CC3112c; CC3211c; CC3221c; CC3222c; CC3223c; CC3224c; CC4111c; CC4112c; CC4121c; CC4122c; CC5213c; CC5411c; CC5412c; CC5413c; CC6211c; CC6212c; CC6214c; CC7111c; CC7112c; CC7113c; CC7114c; CC7115c; CC7116c; CC5311c.	Hairdressing salons and personal grooming establishments; Electrical appliances for personal care, incl hairdryers etc; Toilet paper; Toiletries (disposables - tampons, lip balm, toothpaste etc); Bar of soap, liquid soap, shower gel etc; Toilet requisites (durables - razors, hairbrushes, etc); Hair products; Cosmetics and related accessories; Baby toiletries and accessories (disposable); Prostitution; Jewellery, clocks and watches; Repairs to personal goods; Leather and travel goods (excluding baby items); Other personal effects n.e.c.; Baby equipment (excluding prams and pushchairs); Prams, pram accessories and pushchairs; Sunglasses (non-prescription); Residential homes; Home help; Nursery, creche, playschools; Child care payments; Insurance for household appliances; Vehicle insurance; Boat insurance (not home); Non-package holiday, other travel insurance; Bank service charges; Bank and Post Office counter charges; Commission travellers cheques and currency; Legal fees paid to banks; Legal fees paid to solicitors; Other payments for services eg photocopying; Funeral expenses; Other professional fees incl court fines; TU and professional organisations; Private medical insurance.

P612t	COICOP: Total Miscellaneous Goods and Services.	B110; B168; B188; B1802; B238; B273; B280; B281; B282; B283; B229; CC1111t; CC1211t; CC1311t; CC1312t; CC1313t; CC1314t; CC1315t; CC1316t; CC1317t; CC2111t; CC3111t; CC3112t; CC3211t; CC3221t; CC3222t; CC3223t; CC3224t; CC4111t; CC4112t; CC4121t; CC4122t; CC5213t; CC5411c; CC5412t; CC5413t; CC6211c; CC6212t; CC6214t; CC7111t; CC7112t; CC7113t; CC7114t; CC7115t; CC7116t; CC5311c.	Structure insurance - last payment; Contents insurance - amount of last premium; Vehicle insurance - amount paid last year; Bank & Building societies charges - net amount last 3 mths; Annual standing charge for credit cards weekly amnt; Moving house; Property transaction - purchase and sale; Property transaction - sale only; Property transaction - purchase only; Property transaction - other payments; Medical insurance - total amount premium; Hairdressing salons and personal grooming establishments; Electrical appliances for personal care, incl hairdryers etc; Toilet paper; Toiletries (disposables - tampons, lip balm, toothpaste etc); Bar of soap, liquid soap, shower gel etc; Toilet requisites (durables - razors, hairbrushes, etc); Hair products; Cosmetics and related accessories; Baby toiletries and accessories (disposable); Prostitution; Jewellery, clocks and watches; Repairs to personal goods; Leather and travel goods (excluding baby items); Other personal effects n.e.c.; Baby equipment (excluding prams and pushchairs); Prams, pram accessories and pushchairs; Sunglasses (non-prescription); Residential homes; Home help; Nursery, creche, playschools; Child care payments; Insurance for household appliances; Vehicle insurance; Boat insurance (not home); Non-package holiday, other travel insurance; Bank service charges; Bank and Post Office counter charges; Commission travellers cheques and currency; Legal fees paid to banks; Legal fees paid to solicitors; Other payments for services eg photocopying; Funeral expenses; Other professional fees incl court fines; TU and professional organisations; Private medical insurance.
P620cp	Total Non Consumption Expenditure (anonymised).	CK1315c; CK1316c; CK2111c; CK3111c; CK3112c; CK4111c; CK4112c; CK5221c; CK5222c; CK5223c; CK5224c; CK5315c; CK5111c; CC5111c; CC5312c; CC5511c.	Purchase of materials for Capital Improvements; Bathroom fittings; Food stamps, other food related expenditure; Stamp duty, licences and fines (excluding motoring fines); Motoring Fines; Money spent abroad; Duty free goods bought in UK; Money given to those outside the household; Present - not specified; Charitable donations and subscriptions; Money sent abroad; Club instalment payment; Savings, investments (excluding AVCs); Life, death, non-house endowment; Accident, sickness, redundancy, animal insurance, etc; Other insurance.
P620cu	Total Non Consumption Expenditure.	CK1315c; CK1316c; CK2111c; CK3111c; CK3112c; CK4111c; CK4112c; CK5221c; CK5222c; CK5223c; CK5224c; CK5315c; CK5111c; CC5111c; CC5312c; CC5511c.	Purchase of materials for Capital Improvements; Bathroom fittings; Food stamps, other food related expenditure; Stamp duty, licences and fines (excluding motoring fines); Motoring Fines; Money spent abroad; Duty free goods bought in UK; Money given to those outside the household; Present - not specified; Charitable donations and subscriptions; Money sent abroad; Club instalment payment; Savings, investments (excluding AVCs); Life, death, non-house endowment; Accident, sickness, redundancy, animal insurance, etc; Other insurance.

P620p	Total Non Consumption Expenditure (anonymised).	B130; B150; B2081; B038p; B030; B187; B334h; B265; B237; B228; B1961; B1981; B2011; B205; B206; CK1315; CK1316; CK1412; CK2111; CK3111; CK3112; CK4111; CK4112; CK5221; CK5222; CK5223; CK5212; CK5213; CK5214; CK5215; CK5216; CK5111; CK5113; CK1313; CK1314; (-B179).	Mortgage interest only - last payment; Mortgage interest / principle - interest paid; Mortgage protection - amount premium; Council tax - last payment weekly amount; Domestic rates - last net payment; Vehicle road tax - amount paid last year; Money sent abroad - household; Maintenance allowance expenditure; Credit card interest payments; Personal pensions; Life insurance - amount premium; Endowment policies - amount premium; Mortgage endowment policy - amount premium; Friendly socs - deductions from main pay; Other insurance - total amount premium; Purchase of materials for Capital Improvements; Bathroom fittings; Council tax, mortgage, insurance (second dwelling); Food stamps, other food related expenditure; Stamp duty, licences and fines (excluding motoring fines); Motoring Fines; Money spent abroad; Duty free goods bought in UK; Money given to those outside the household; Present - not specified; Charitable donations and subscriptions; Money given to members for specific purps: pocket money; Money given to members for specific purps: school dinner; Money given to members for specific purps: school travel; Money given to members for specific purposes.; Cash gifts to members (no specific purpose); Savings, investments (excluding AVCs); Additional Voluntary Contributions; Central heating installation (DIY); Double Glazing, Kitchen Units, Sheds etc; [minus vehicle road tax - amount refunded last year].
-------	---	--	--

P620tp	Total Non Consumption Expenditure (anonymised).	B130; B150; B2081; B038p; B030; B187; B334h; B265; B237; B228; B1961; B1981; B2011; B205; B206; CK1315t; CK1316t; CK1412t; CK2111t; CK3111t; CK3112t; CK4111t; CK4112t; CK5221t; CK5222t; CK5223t; CK5224c;CK5212t; CK5213t; CK5214t; CK5215t; CK5216t; CK5315c; CK5111t; CK5113t; CK1313t; CK1314t; CC5111c; CC5312c; CC5511c; (-B179).	Mortgage interest only - last payment; Mortgage interest / principle - interest paid; Mortgage protection - amount premium; Council tax - last payment weekly amount; Domestic rates - last net payment; Vehicle road tax - amount paid last year; Money sent abroad - household; Maintenance allowance expenditure; Credit card interest payments; Personal pensions; Life insurance - amount premium; Endowment policies - amount premium; Mortgage endowment policy - amount premium; Friendly socs - deductions from main pay; Other insurance - total amount premium; Purchase of materials for Capital Improvements; Bathroom fittings; council tax, mortgage, insurance (second dwelling); Food stamps, other food related expenditure; Stamp duty, licences and fines (excluding motoring fines); Motoring Fines; Money spent abroad; Duty free goods bought in UK; Money given to those outside the household; Present - not specified; Charitable donations and subscriptions; Money sent abroad; Money given to members for specific purps: pocket money; Money given to members for specific purps: school dinner; Money given to members for specific purps: school travel; Money given to members for specific purposes.; Cash gifts to members (no specific purpose); Club instalment payment; Savings, investments (excluding AVCs); Additional Voluntary Contributions; Central heating installation (DIY); Double Glazing, Kitchen Units, Sheds etc; Life, death, non-house endowment; Accident, sickness, redundancy, animal insurance, etc; Other insurance; [minus vehicle road tax - amount refunded last year].
--------	---	--	--

P620tu	Total Non Consumption Expenditure.	B130; B150; B2081; B038u; B030; B187; B334h; B265; B237; B228; B1961; B1981; B2011; B205; B206; CK1315t; CK1316t; CK1412t; CK2111t; CK3111t; CK3112t; CK4111t; CK4112t; CK5221t; CK5222t; CK5223t; CK5224c;CK5212t; CK5213t; CK5214t; CK5215t; CK5216t; CK5315c; CK5111t; CK5113t; CK1313t; CK1314t; CC5111c; CC5312c; CC5511c; (-B179).	Mortgage interest only - last payment; Mortgage interest / principle - interest paid; Mortgage protection - amount premium; Council tax - last payment weekly amount; Domestic rates - last net payment; Vehicle road tax - amount paid last year; Money sent abroad - household; Maintenance allowance expenditure; Credit card interest payments; Personal pensions; Life insurance - amount premium; Endowment policies - amount premium; Mortgage endowment policy - amount premium; Friendly socs - deductions from main pay; Other insurance - total amount premium; Purchase of materials for Capital Improvements; Bathroom fittings; Council tax, mortgage, insurance (second dwelling); Food stamps, other food related expenditure; Stamp duty, licences and fines (excluding motoring fines); Motoring Fines; Money spent abroad; Duty free goods bought in UK; Money given to those outside the household; Present - not specified; Charitable donations and subscriptions; Money sent abroad; Money given to members for specific purps: pocket money; Money given to members for specific purps: school dinner; Money given to members for specific purps: school travel; Money given to members for specific purposes.; Cash gifts to members (no specific purpose); Club instalment payment; Savings, investments (excluding AVCs); Additional Voluntary Contributions; Central heating installation (DIY); Double Glazing, Kitchen Units, Sheds etc; Life, death, non-house endowment; Accident, sickness, redundancy, animal insurance, etc; Other insurance; [minus vehicle road tax - amount refunded last year].
--------	------------------------------------	--	--

P620u	Total Non Consumption Expenditure.	B130; B150; B2081; B038u; B030; B187; B334h; B265; B237; B228; B1961; B1981; B2011; B205; B206; CK1315; CK1316; CK1412; CK2111; CK3111; CK3112; CK4111; CK4112; CK5221; CK5222; CK5223; CK5212; CK5213; CK5214; CK5215; CK5216; CK5111; CK5113; CK1313; CK1314; (-B179).	Mortgage interest only - last payment; Mortgage interest / principle - interest paid; Mortgage protection - amount premium; Council tax - last payment weekly amount; Domestic rates - last net payment; Vehicle road tax - amount paid last year; Money sent abroad - household; Maintenance allowance expenditure; Credit card interest payments; Personal pensions; Life insurance - amount premium; Endowment policies - amount premium; Mortgage endowment policy - amount premium; Friendly socs - deductions from main pay; Other insurance - total amount premium; Purchase of materials for Capital Improvements; Bathroom fittings; Council tax, mortgage, insurance (second dwelling); Food stamps, other food related expenditure; Stamp duty, licences and fines (excluding motoring fines); Motoring Fines; Money spent abroad; Duty free goods bought in UK; Money given to those outside the household; Present - not specified; Charitable donations and subscriptions; Money given to members for specific purps: pocket money; Money given to members for specific purps: school dinner; Money given to members for specific purps: school travel; Money given to members for specific purposes.; Cash gifts to members (no specific purpose); Savings, investments (excluding AVCs); Additional Voluntary Contributions; Central heating installation (DIY); Double Glazing, Kitchen Units, Sheds etc; [minus vehicle road tax - amount refunded last year].
P630cp	Fam Spend: Total Expenditure (anonymised).	P600c; P620cp.	COICOP: Total consumption expenditure; Total Non Consumption Expenditure (anonymised).
P630cu	Fam Spend: Total Expenditure.	P600c; P620cu.	COICOP: Total consumption expenditure; Total Non Consumption Expenditure.

P630p	Fam Spend: Total Expenditure (anonymised).	P600; P620p.	COICOP: Total consumption expenditure; Total Non Consumption Expenditure (anonymised).
P630tp	Fam Spend: Total Expenditure (anonymised).	P600t; P620tp.	COICOP: Total consumption expenditure; Total Non Consumption Expenditure (anonymised).
P630tu	Fam Spend: Total Expenditure.	P600t; P620tu.	COICOP: Total consumption expenditure; Total Non Consumption Expenditure.
P630u	Fam Spend: Total Expenditure.	P600; P620u.	COICOP: Total consumption expenditure; Total Non Consumption Expenditure.