



# Living Costs and Food Survey

## Volume G: Derived Variable Flowcharts

January – December 2013

Great Britain and Northern Ireland

ONS Social Surveys

Office for National Statistics

December 2014

## Changes to benefits variables from July 2013

Variables in the person-level Living Costs and Food Survey dataset (dvper) relating to benefits were updated in July 2013 to reflect changes to benefits payments.

For respondents interviewed between January and June 2013, a single variable records the number of weeks in the last 12 months in which the respondent received a benefit.

From July onwards, two variables capture information. The first records the time a benefit has been received, in five bands: Up to two years; 2-3 years; 3-4 years; 4-5 years; 5 or more years. If the response is 'Up to two years', a second variable records the number of weeks in which the benefit has been received.

The derivation of the variable that flags whether the respondent is receiving a benefit was also updated.

This volume includes flowcharts for all the variables used in 2013. Where appropriate, the title of each flowchart indicates that the variable was used in cases between January and June 2013, or from July 2013 onwards.

# Contents

---

<b>Section</b>	<b>Page</b>
<b>Section One: Glossary</b>	<b>4</b>
<b>Section Two: Flowcharts – Person Level</b>	<b>6</b>
<b>Section Three: Flowcharts – Household Level</b>	<b>365</b>
<b>Section Four: Flowcharts – Loan transactions</b>	<b>660</b>
<b>Section Five: Flowcharts – Hire Purchase transactions</b>	<b>662</b>
<b>Section Six: Product codes – Person level</b>	<b>664</b>
<b>Section Seven: Product codes – Household level</b>	<b>679</b>

Please note as this user guide is still under development the derivations of some variables may not be included and some derivations may be out of date, consult the Volume H user guide for details of variable changes. Please contact the LCF team on [lcf\\_enquiries@ons.gov.uk](mailto:lcf_enquiries@ons.gov.uk), for queries on specific variables and any feedback regarding this user guide.

---

# Section One:

## Glossary

---

# Glossary

---

## *Variable names*

<b>'A...'</b>	Variables beginning with 'A' are classification variables
<b>'B...'</b>	Variables beginning with 'B' are variables that relate to expenditure amounts
<b>'C...'</b>	Variables beginning with 'C' are Expenditure Codes; these represent the amount spent on a certain type of item
<b>'Dv...'</b>	Variables beginning with 'Dv' are derived variables from the questionnaire, most often used to convert an amount to a weekly average
<b>'P...'</b>	Variables beginning with 'P' are Product Codes; these aggregate different expenditure codes together
<b>'X...'</b>	Variables beginning with 'X' are temporary variables used in calculations. Each temporary variable and its use is explained individually throughout the flowcharts
<b>'...h'</b>	Variables ending in 'h' are at household level
<b>'...p'</b>	Variables ending in 'p' are anonymised; certain variables are anonymised if they could lead to the disclosure of the identity of the household
<b>'...u'</b>	Variables ending in 'u' are the unanonymised

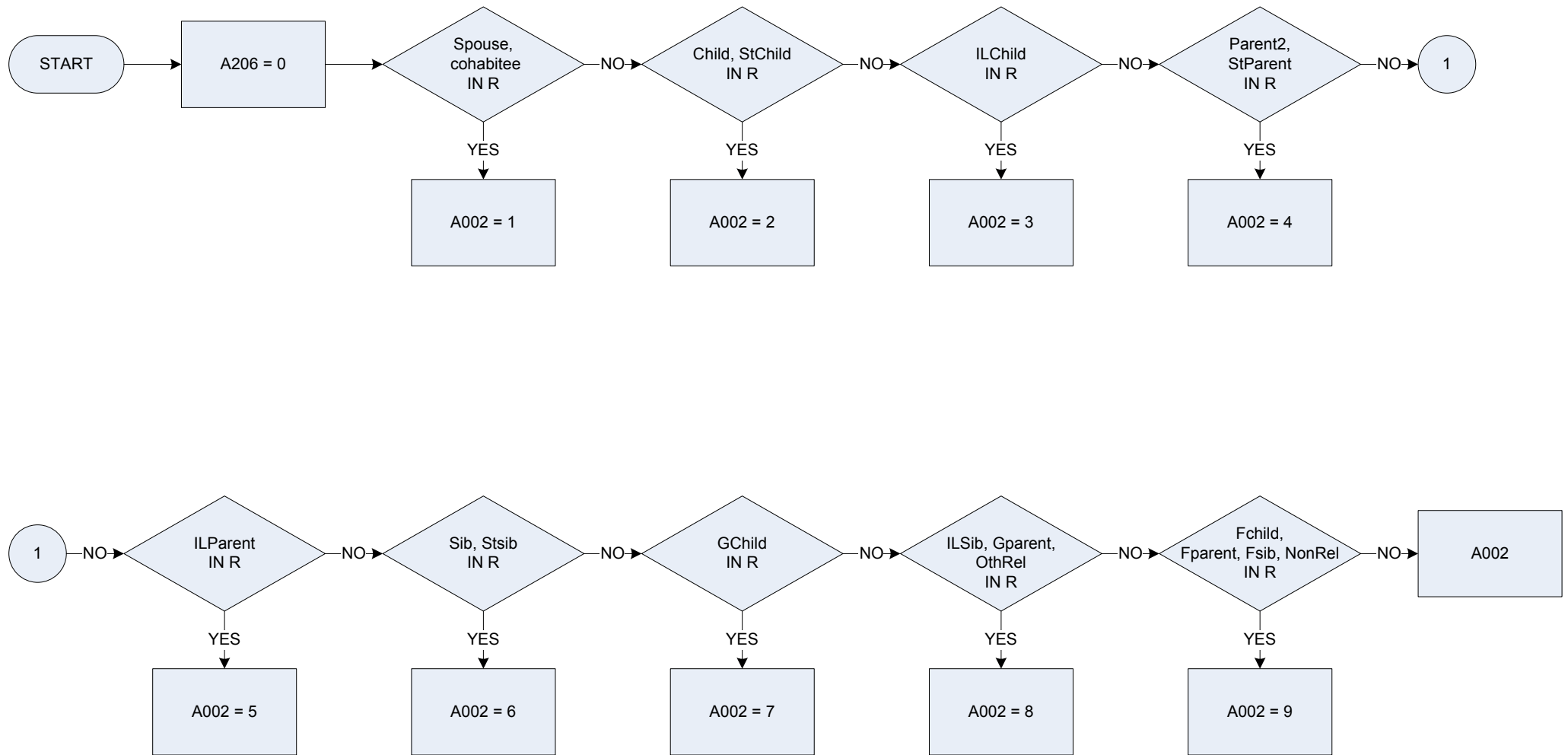
---

# Section Two:

## Flowcharts - Person level

---

## A002 – Relationship to Household Reference Person



**KEY****A002** Relationship to Household Reference Person (HRP)

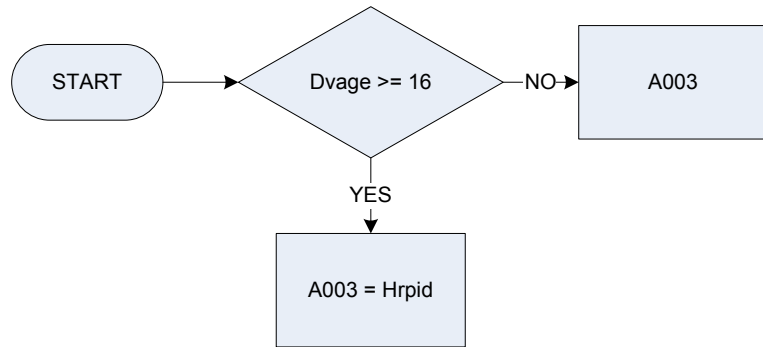
<b>0</b>	<i>HRP</i>
<b>1</b>	<i>Spouse cohabitee civil partner</i>
<b>2</b>	<i>Son or daughter</i>
<b>3</b>	<i>Son-in-law daughter-in-law</i>
<b>4</b>	<i>Father or mother or guardian</i>
<b>5</b>	<i>Father-in-law mther-in-law</i>
<b>6</b>	<i>Brother or sister</i>
<b>7</b>	<i>Grandson grndaughter</i>
<b>8</b>	<i>Other relative</i>
<b>9</b>	<i>Non-relative</i>

**R** Relationship between HRP and each individual in the household

<b>Spouse</b>	<i>Spouse</i>
<b>Cohabitee</b>	<i>Cohabiting partner</i>
<b>Child</b>	<i>Son/daughter (incl. adopted)</i>
<b>StChild</b>	<i>Step-son/daughter</i>
<b>FChild</b>	<i>Foster child</i>
<b>ILChild</b>	<i>Son-in-law/daughter-in-law</i>
<b>Parent2</b>	<i>Parent / Guardian</i>
<b>StParent</b>	<i>Step-parent</i>
<b>FParent</b>	<i>Foster parent</i>
<b>ILParent</b>	<i>Parent-in-law</i>
<b>Sib</b>	<i>Brother/sister (including adopted)</i>
<b>StSib</b>	<i>Step-brother/sister</i>
<b>FSib</b>	<i>Foster brother/sister</i>
<b>ILSib</b>	<i>Brother/sister-in-law</i>
<b>GChild</b>	<i>Grand-child</i>
<b>GParent</b>	<i>Grand-parent</i>
<b>OthRel</b>	<i>Other relative</i>
<b>NonRel</b>	<i>Other non-relative</i>



## A003- Household Reference Person



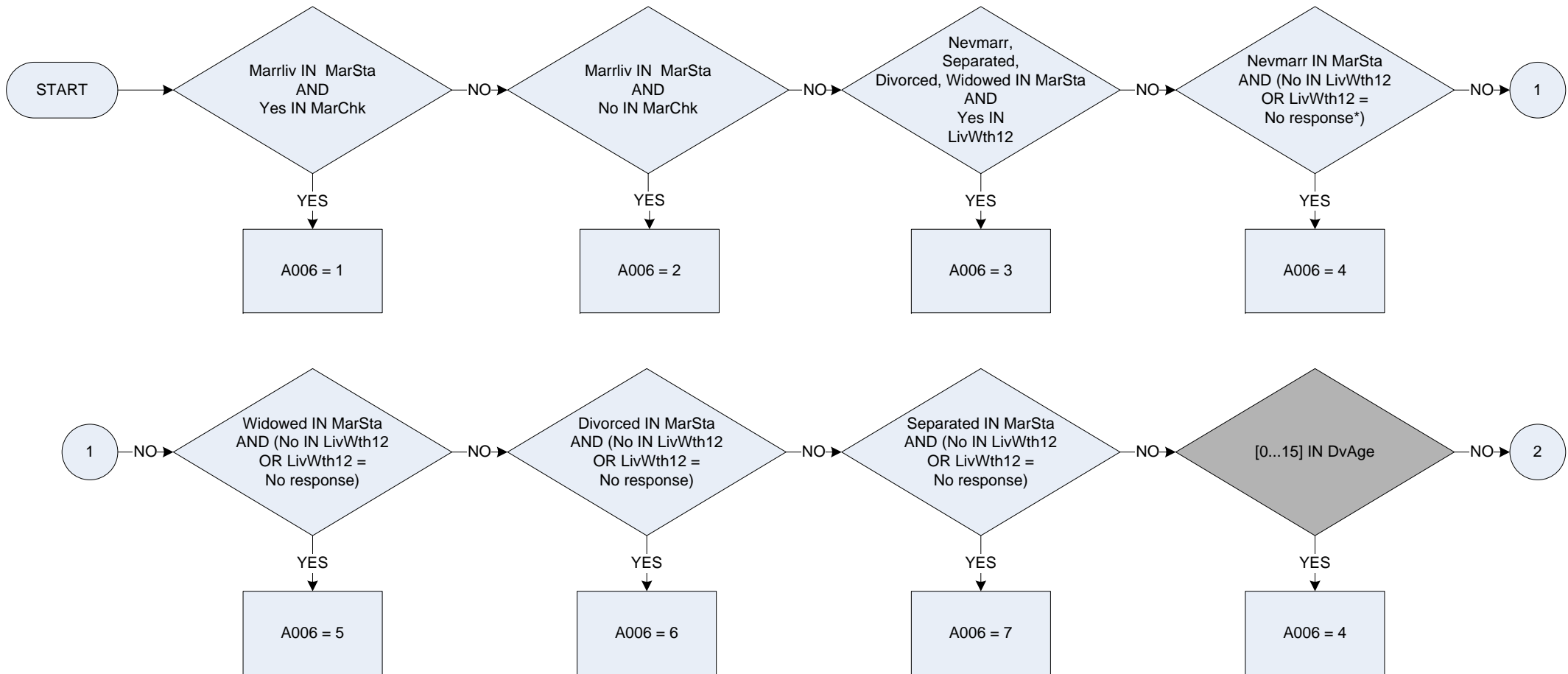
### KEY

**A003** Household Reference Person (HRP)  
1 HRP  
2 Not HRP

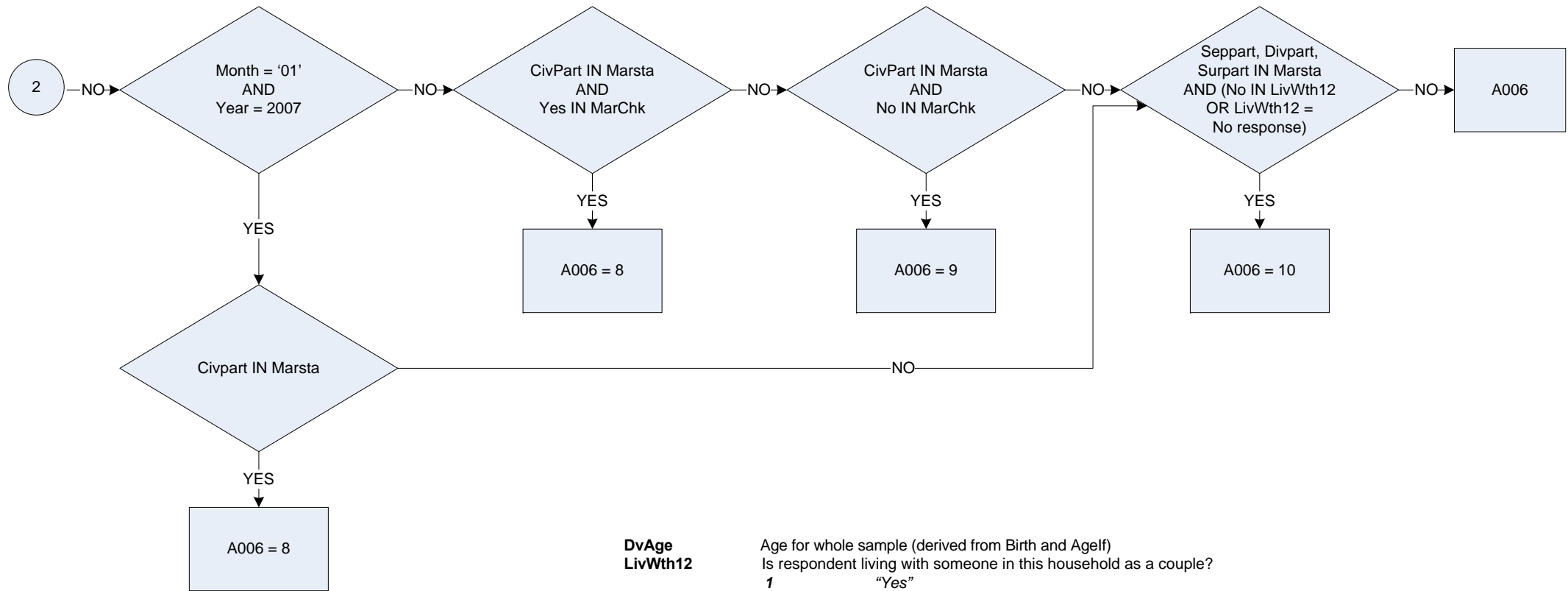
**DvAge** Derived from Birth and Agelf - Age for whole sample

**HrpId** Household Reference Person (HRP) - Is the accommodation owned/rented in the person's name?  
1 "Yes"  
2 "No"

## A006 - Marital status



## A006 - Marital status



### KEY

\* 'No response' indicates that the respondent was not routed to the question or the respondent did not answer

A006	Marital Status
1	"Spouse in household"
2	"Spouse not in household"
3	"Cohabitee"
4	"Single"
5	"Widowed"
6	"Divorced"
7	"Separated"
8	"Civil Partner in HH"
9	"Civil Partner not in HH"
10	"Former Civil Partner"

**DvAge**  
**LivWth12**

Age for whole sample (derived from Birth and Agelf)  
Is respondent living with someone in this household as a couple?  
1 "Yes"  
2 "No"

**MarChk**

Is spouse/partner member of household?  
1 "Yes"  
2 "No"

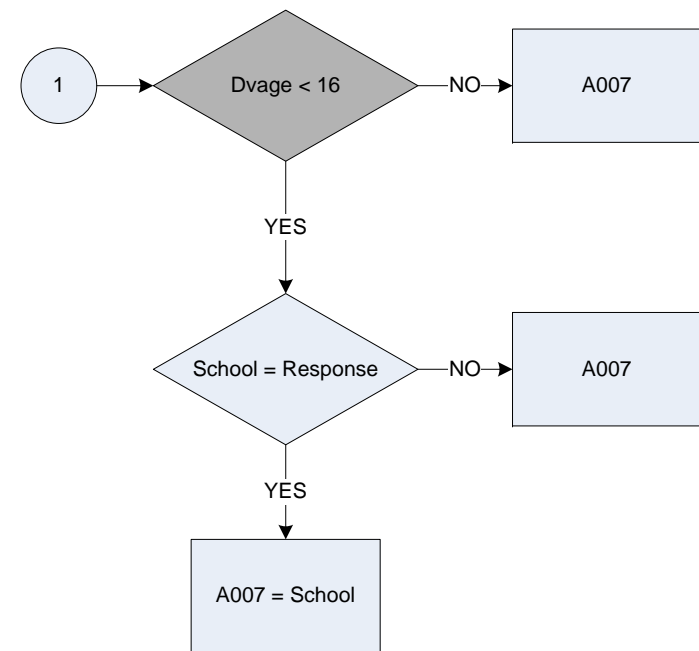
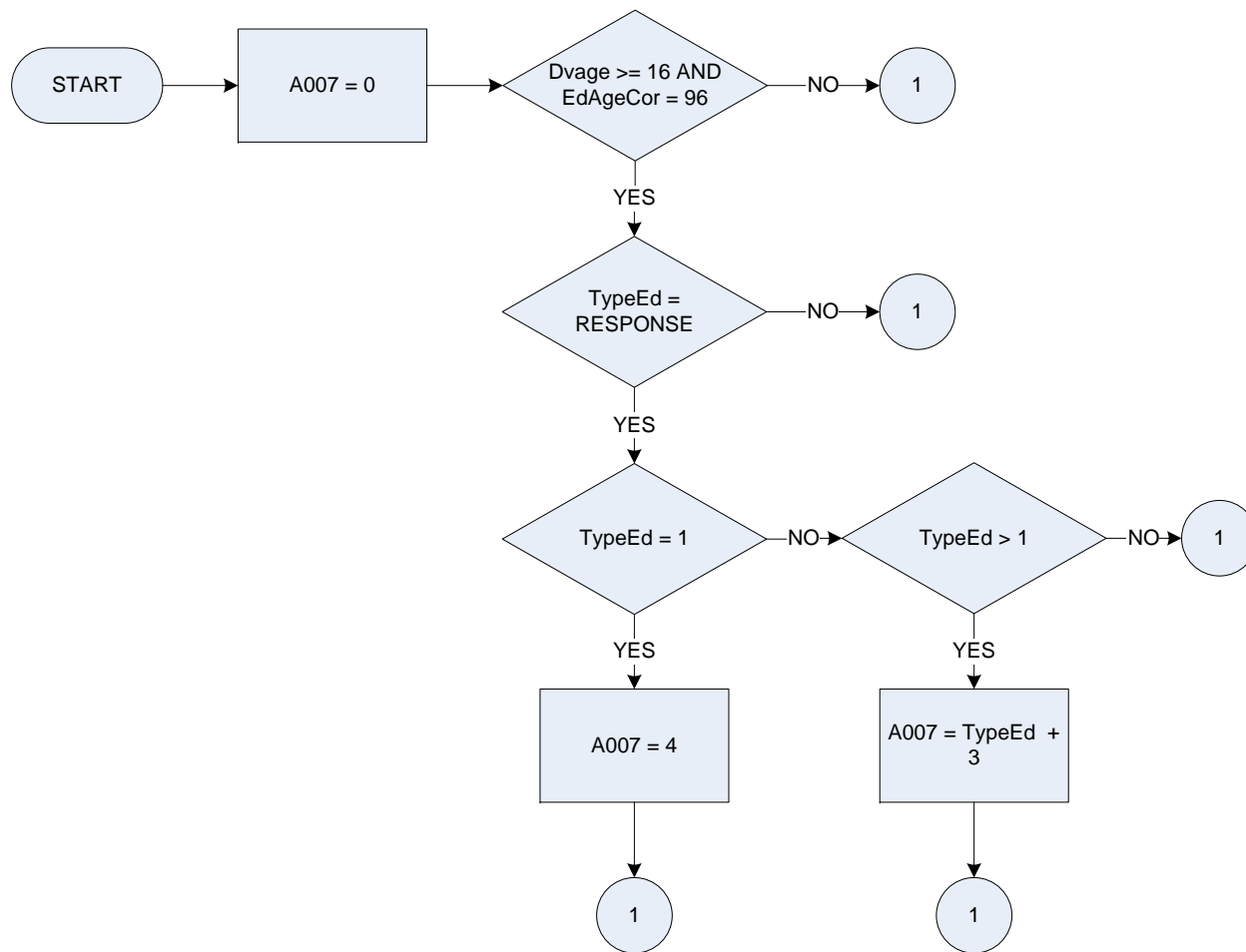
**MarSta**

What is the legal marital status of the respondent?  
**NevMarr** "Single, that is never married"  
**MarrLiv** "Married and living with your husband/wife"  
**CivPart** "A civil partner in a legally-recognised Civil Partnership"  
**Separated** "Married and separated from your husband/wife"  
**Divorced** "Divorced"  
**Widowed** "Widowed"  
**SepPart** Spontaneous only – "In a legally-recognised Civil Partnership and separated his/her civil partner"  
**DivPart** Spontaneous only – "Formerly a civil partner, the Civil Partnership now legally dissolved"  
**SurPart** Spontaneous only – "A surviving civil partner: his/her partner having since died"

**Month**  
**Year**

Sample month  
Sample year

## A007- Current full-time education



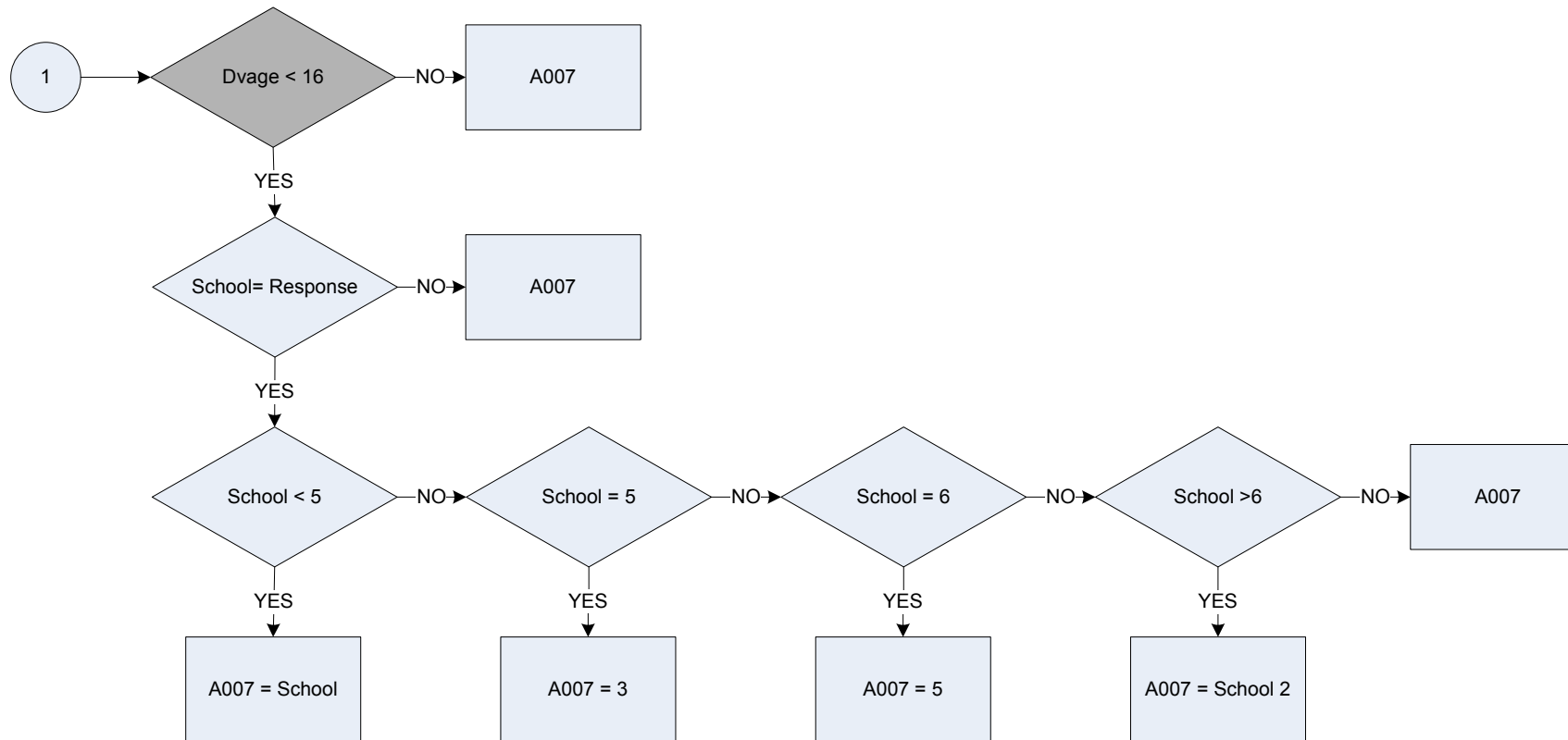
### KEY

A007	Current full time education
0	Not recorded
1	Not yet at school
2	State nursery school
3	State primary school
4	State special school
5	State secondary school
6	Non-advanced further education
7	Private; independent
8	University etc.
9	Home Schooling

Dvage	Derived from Birth and AgeI to give a weekly amount - Age for whole sample
EdAgeCor	Age when respondent left full time education (coded as 96 if respondent is still in full time education)
TypeEd	What type of school or college does the respondent attend?
1	State run special
2	Secondary/grammar school
3	Non-advanced further education
4	Any private Independent school
5	University/any other higher education

School	What type of school does the respondent attend?
1	Not yet attending education
2	Nursery school nursery class playgroup
3	State-run maintained primary
4	State-run special
5	Secondary/grammar school
6	Non-advanced further education
7	Any private Independent school
8	University/any other higher education
9	Home Schooling

## A007- Current full-time education



### KEY

#### A007

Current full time education

0	Not recorded
1	Not yet at school
2	State nursery school
3	State primary school
4	State special school
5	State secondary school
6	Non-advanced further education
7	Private; independent
8	University polytechnic etc.
9	Home Schooling

#### Dvage

Derived from Birth and Age1f

- Age for whole sample

#### EdAgeCor

Age when respondent left full time education (coded as 96 if respondent is still in full time education)

#### TypeEd

What type of school or college does the respondent attend?

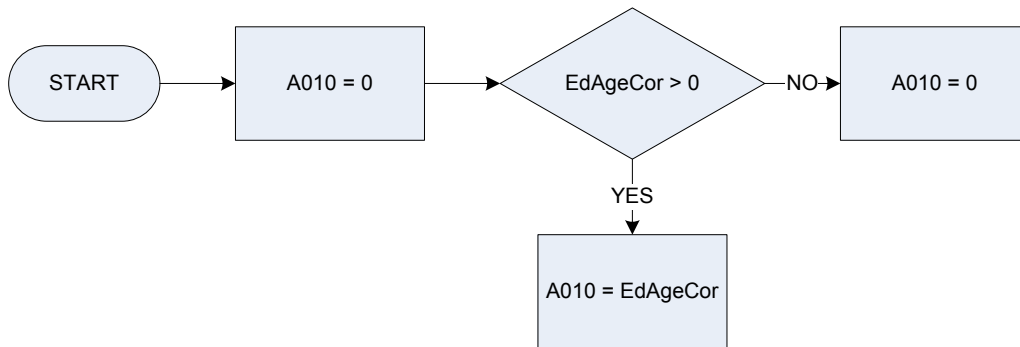
4	State run special
7	Secondary grammar school
8	Non-advanced further education
9	Any private Independent school
10	University polytechnic any other higher

#### School

What type of school does the respondent attend?

1	Not yet attending education
2	Nursery school nursery class playgroup
3	State-run maintained primary
4	State-run special
5	Mid Primary
6	Mid Secondary
7	Secondary grammar school
8	Non-advanced further education
9	Any private Independent school
10	University polytechnic any other higher
11	Home Schooling

## A010 – Age completed continuous full time education

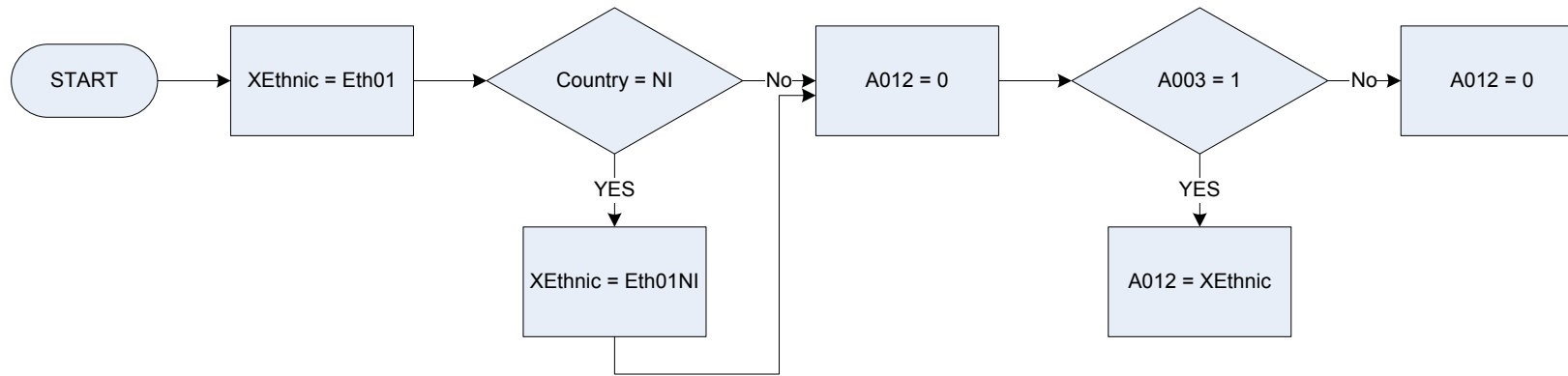


### KEY

**EdAgeCor**

Age when respondent left full time education (coded as 96 if respondent is still in full time education)

## A012 – Ethnic origin of Household Reference Person



### KEY

**A003** Household Reference Person (HRP)

- 1 HRP
- 2 Not HRP

**A012** Ethnic origin of Household Reference Person

- 0 "Not applicable"
- 1 "White"
- 2 "Mixed"
- 3 "Asian or Asian British"
- 4 "Black or Black British"
- 5 "Chinese"
- 6 "Other ethnic group"

**Eth01** Ethnic Group: Ethnicity

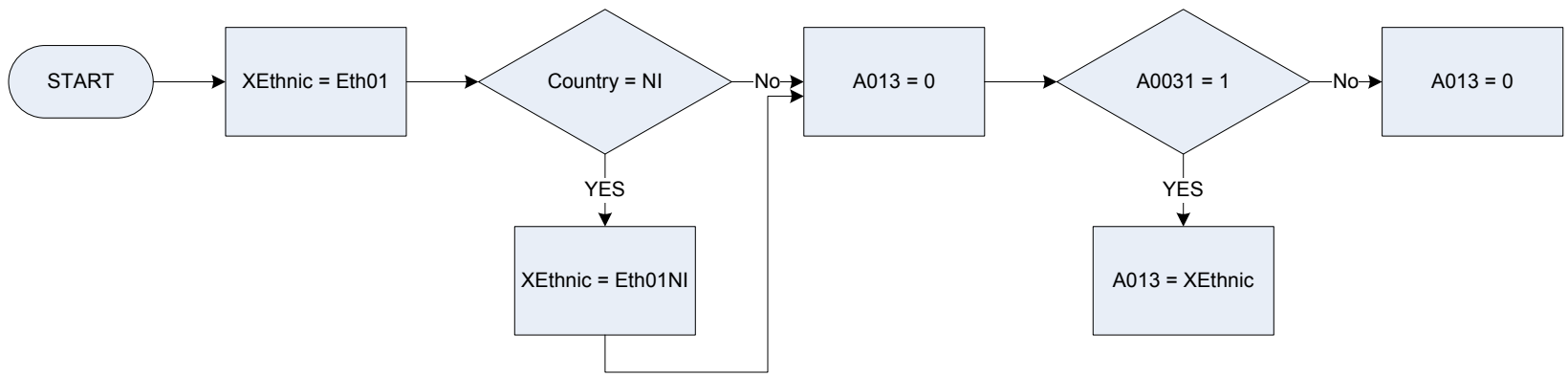
- 1 "White"
- 2 "Mixed"
- 3 "Asian or Asian British"
- 4 "Black or Black British"
- 5 "Chinese"
- 6 "Other ethnic group"

**Eth01NI** Ethnic Group: Ethnicity – Northern Ireland

- 1 "White"
- 2 "Mixed"
- 3 "Asian"
- 4 "Black"
- 5 "Chinese"
- 6 "Other ethnic group"

**XEthnic** Temporary variable used in calculations: Ethnic origin of Household Reference Person

## A013 – Ethnic origin of Partner of Household Reference Person



**KEY**

**A013** Ethnic origin of partner of Household Reference Person (HRP)  
 0 Not applicable  
 1 White  
 2 Mixed  
 3 Asian or Asian British  
 4 Black or Black British  
 5 Chinese  
 6 Other ethnic group

**A0031** Partner of Household Reference Person  
 1 "Yes"  
 2 "No"

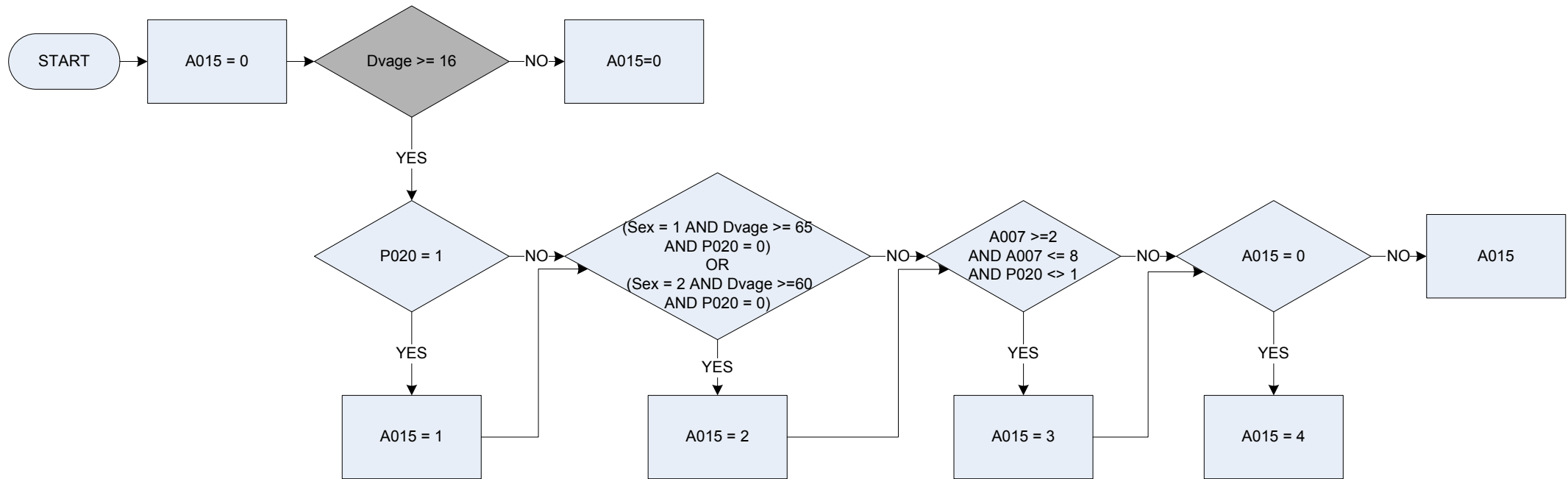
**Eth01** Ethnic Group: Ethnicity  
 1 "White"  
 2 "Mixed"  
 3 "Asian or Asian British"  
 4 "Black or Black British"  
 5 "Chinese"  
 6 "Other ethnic group"

**Eth01NI** Ethnic Group: Ethnicity – Northern Ireland  
 1 "White"  
 2 "Mixed"  
 3 "Asian"  
 4 "Black"  
 5 "Chinese"  
 6 "Other ethnic group"

**XEthnic** Temporary variable used in calculations: Ethnic origin of Household Reference Person



## A015 – Employment position

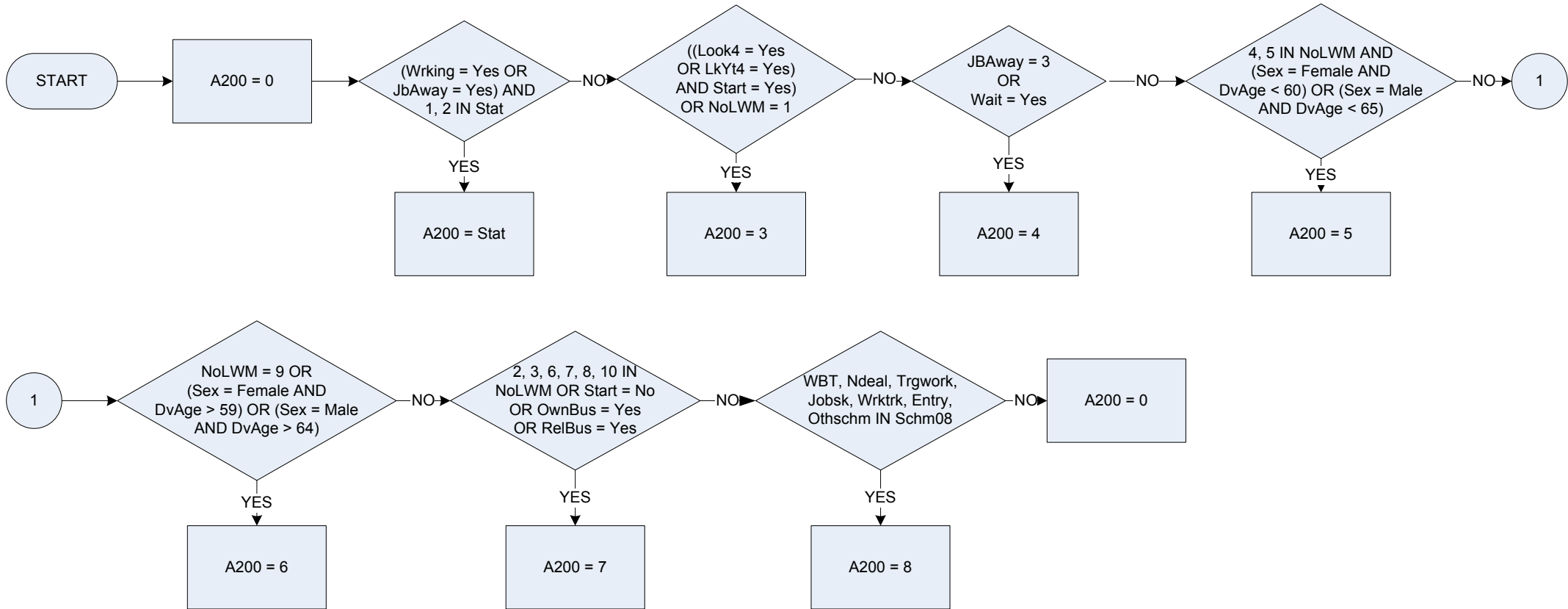


### KEY

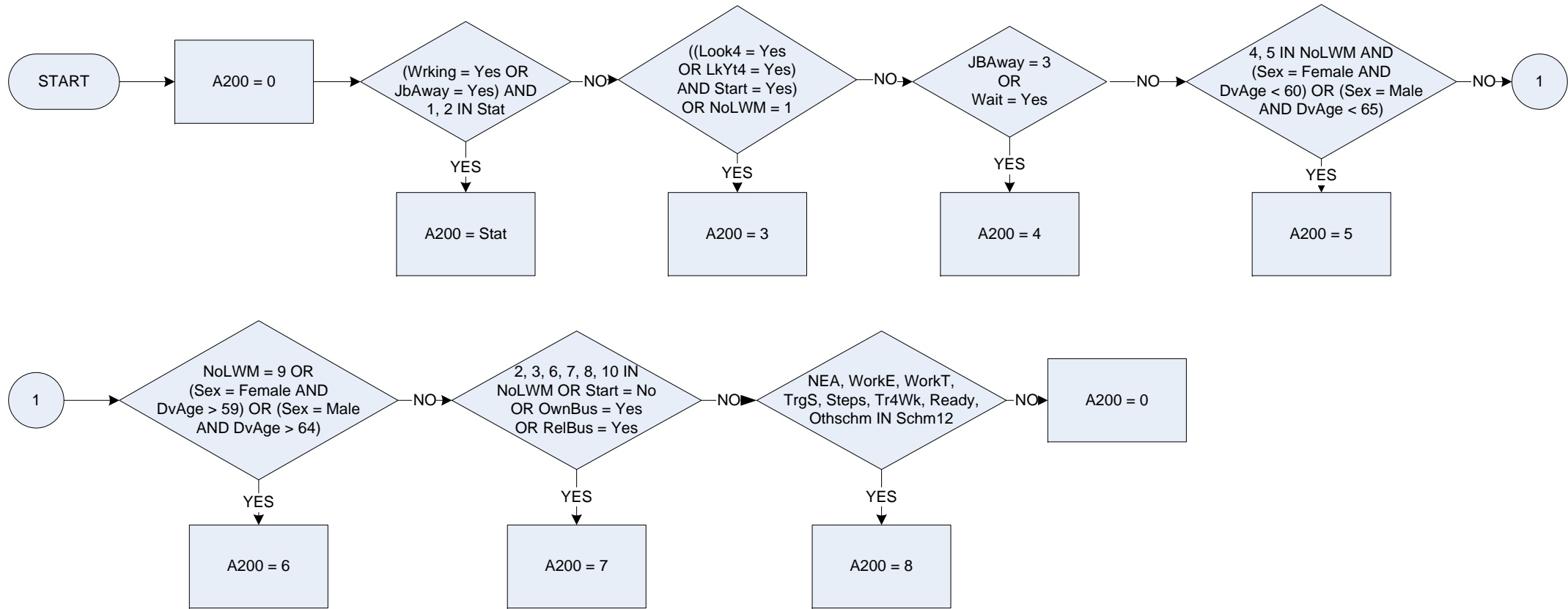
<b>A007</b>	Current full time education
0	"Not recorded"
1	"Not yet attending education"
2	"Nursery school/nursery class/playgroup/pre-school"
3	"State-run/maintained primary school (including reception classes) or middle deemed primary (State run or assisted)"
4	"State run special school (e.g. for children with disabilities and special educational needs)"
5	"Middle deemed secondary, secondary/grammar school (State run or assisted)"
6	"Non-advanced further education/sixth form/tertiary/further education college"
7	"Any private/independent school (prep, primary, secondary, City Technology Colleges)"
8	"University/polytechnic, any other higher education college"
9	"Home Schooling"

<b>A015</b>	Employment position
0	Not recorded
1	Working
2	Retired/unoccupied & minimum NI age
3	Full-time education
4	Other
<b>Dvage</b>	Derived from Birth and Agef - Age for whole sample
<b>P020</b>	Person working
<b>Sex</b>	1 Male 2 Female

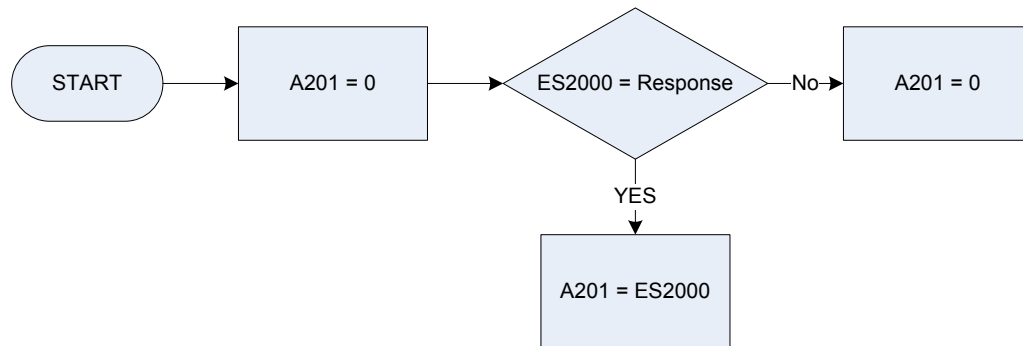
## A200 – Employment status



## A200 – Employment status



## A201 – Employment status - harmonised (ES2000)

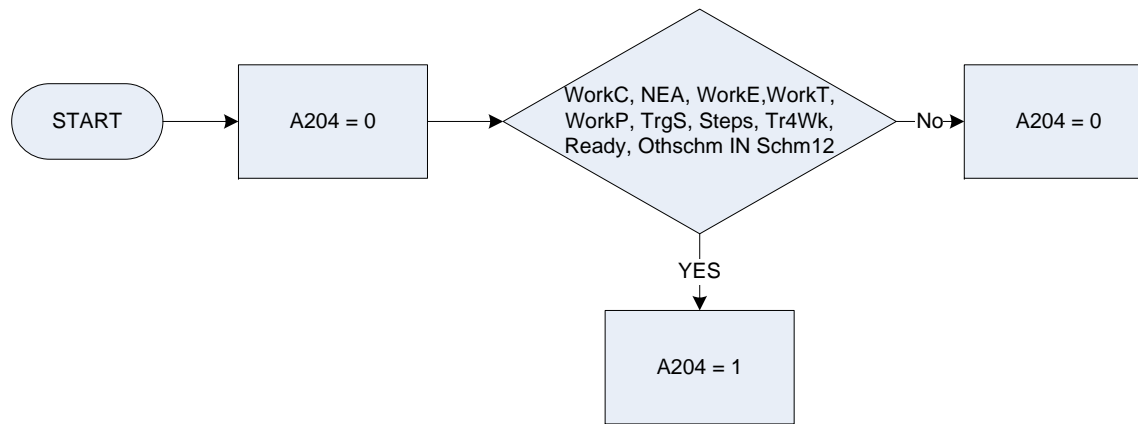


### KEY

<b>A201</b>	Employment Status - Harmonised(ES2000)
<b>0</b>	<i>Not recorded</i>
<b>1</b>	<i>Self-employed : large establishment (25+ employees)</i>
<b>2</b>	<i>Self-employed : small establishment (1-24 employees)</i>
<b>3</b>	<i>Self-employed : no employees</i>
<b>4</b>	<i>Manager : large establishment (25+ employees)</i>
<b>5</b>	<i>Manager : small establishment (1-24 employees)</i>
<b>6</b>	<i>Foreman or supervisor</i>
<b>7</b>	<i>Employee (not elsewhere classified)</i>
<b>8</b>	<i>No employment status info given</i>

**ES2000** Derived in Industry Coding section of the questionnaire

## A204 - Government training programme



### KEY

#### A204

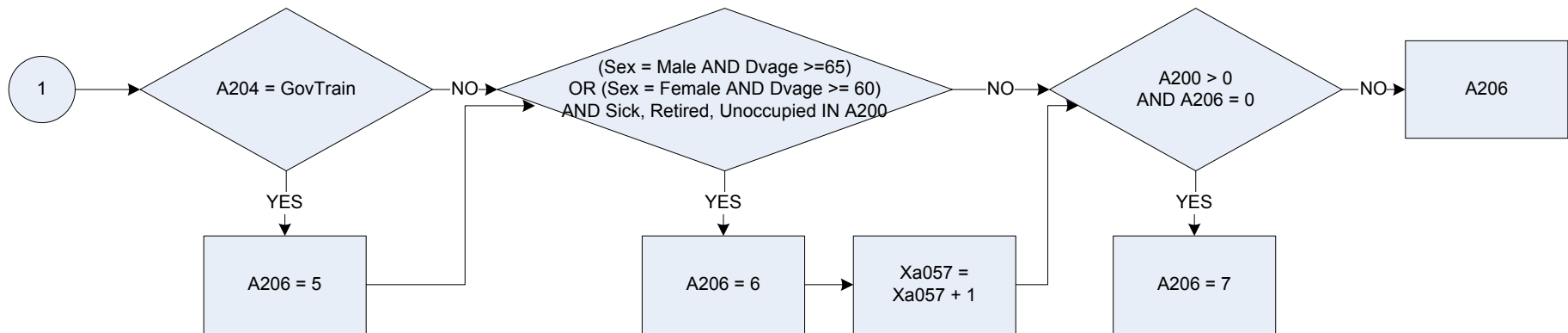
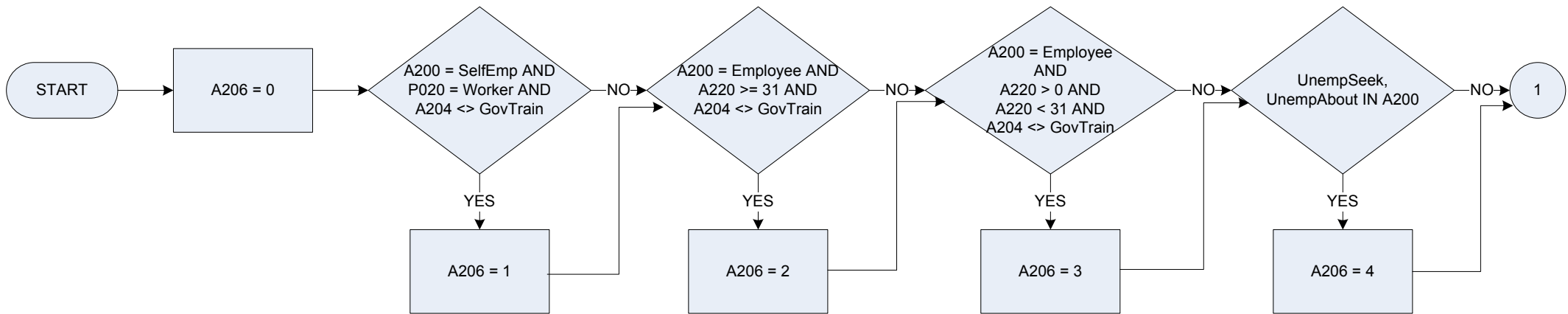
Government training programme  
**0** No government training programme  
**1** Government training programme

#### Schm12

In the last seven days, was the respondent on any of the following schemes?

**WorkC** Work club or Enterprise club  
**NEA** New Enterprise Allowance  
**WorkE** Work Experience  
**WorkT** Work Trial  
**WorkP** Work programmes  
**TrgS** Training for success  
**Steps** Steps to work  
**Tr4Wk** Training for work  
**Ready** Get ready for work  
**OthSchm** Any other training scheme,  
**None** or none of these?

## A206 – Economic position



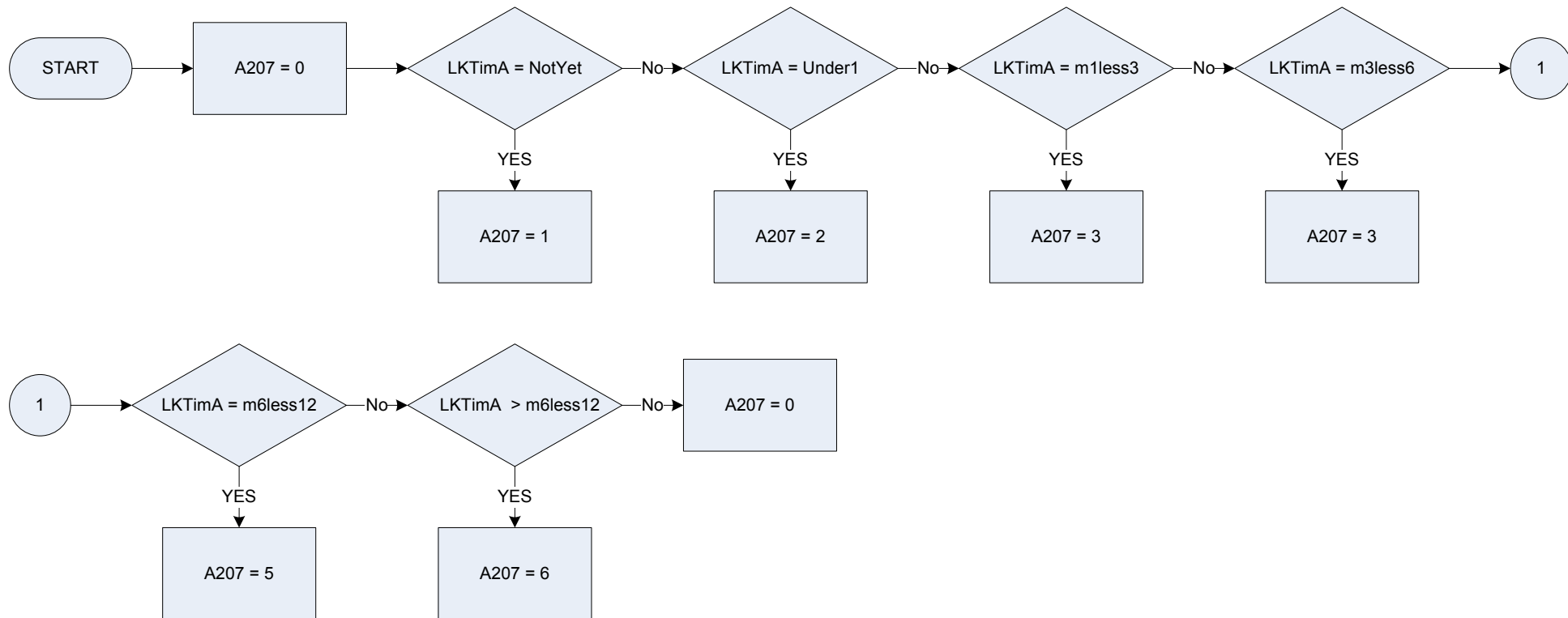
### KEY

<b>A200</b>	Employment status
0	"Not recorded"
1	"Employee"
2	"Self-employed or employer"
3	"Out of employment, seeking work within last 4 weeks & available to start a job"
4	"Out of employment, waiting to start a job already obtained"
5	"Sick or injured"
6	"Retired including Job Release Scheme"
7	"Unoccupied"
<b>A204</b>	Government training programme
0	"No government training programme"
1	"Government training programme"

<b>A206</b>	Economic position
0	Not recorded
1	Self-employed
2	Full-time employee
3	Part-time employee
4	Unemployed
5	Work related govt train prog
6	Ret unoc over min ni age
7	Unoc - under min ni age
<b>A220</b>	Usual weekly hours (excluding breaks & overtime)
<b>Dvage</b>	Derived from Birth and Agelf - Age for whole sample

<b>P020</b>	Person working
0	Not working
1	Worker (1990 defn)
<b>Sex</b>	Sex
1	Male
2	Female
<b>Xa057</b>	Temporary variable used in calculations: Men 65+ Women 60+ economically active

## A207 – Time spent looking for a paid work or a place on a government scheme



### KEY

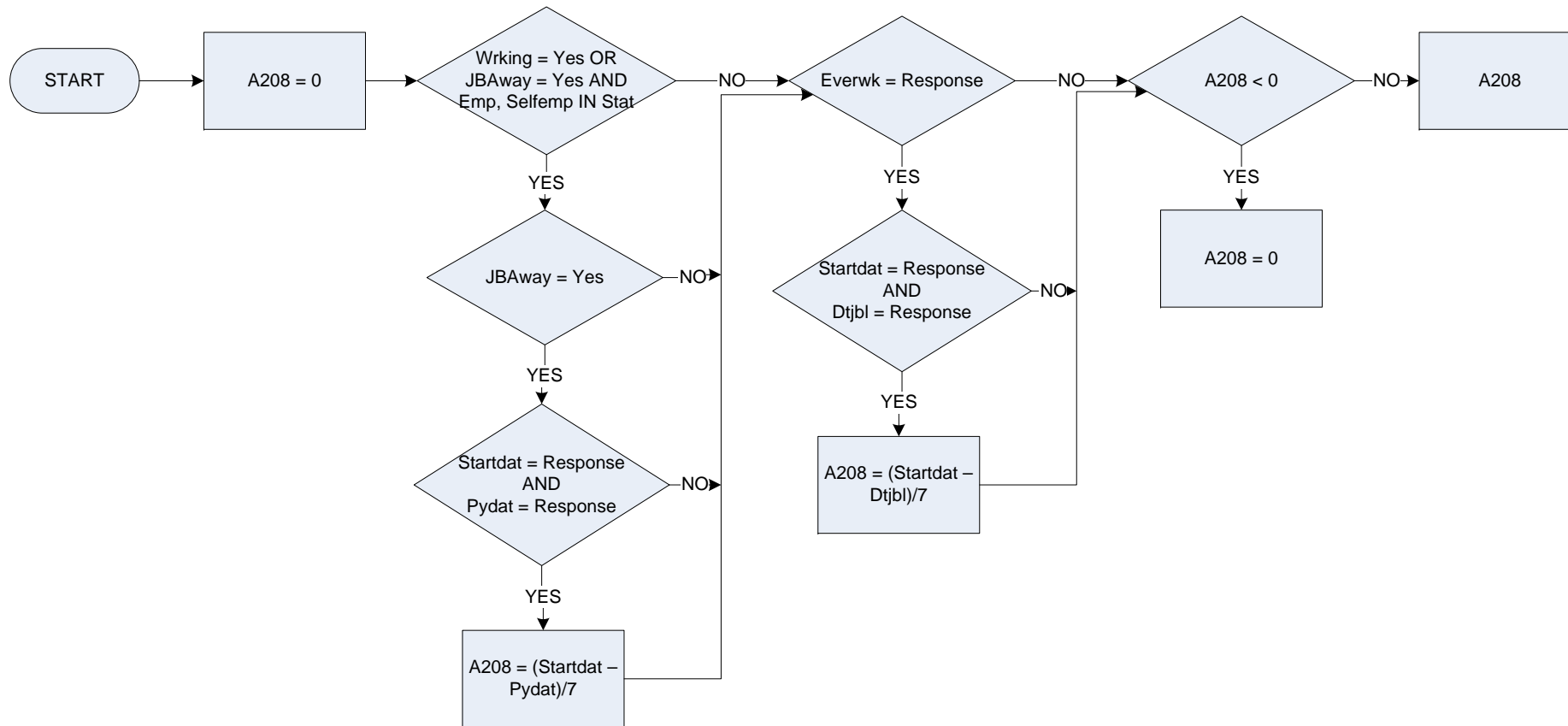
A207	Time spent looking for paid work place
0	Not going to look at all
1	Not yet started to look
2	Less than 1 month
3	1 month but less than 3 months
4	3 months but less than 6 months
5	6 months but less than 12 months
6	12 months or more

### LKTImA

How long has the respondent been looking for paid work/a place on a government scheme/an additional or replacement job?

<b>NotYet</b>	Not yet started
<b>Under1</b>	Less than 1 month
<b>m1less3</b>	1 month but less than 3 months
<b>m3less6</b>	3 months but less than 6 months
<b>m6less12</b>	6 months but less than 12 months
<b>m12les18</b>	12 months but less than 18 months
<b>m18les2y</b>	18 months but less than 2 years
<b>y2less3</b>	2 years but less than 3 years
<b>y3less4</b>	3 years but less than 4 years
<b>y4less5</b>	4 years but less than 5 years
<b>y5Plus</b>	5 years or more

## A208 – Number of weeks away from work



### KEY

<b>Dtjbl</b>	When did respondent leave their last PAID job?	<b>Wrking</b>	Did the respondent do any paid work in the last seven days, either as an employee or as self employed?
<b>Everwk</b>	Has the respondent ever had a paid job, apart from casual or holiday work?		
	<b>Yes</b> Yes		<b>Yes</b> Yes
	<b>No</b> No		<b>No</b> No
<b>JBAway</b>	Did the respondent have a job or business that they were away from?		
	<b>Yes</b> Yes		
	<b>No</b> No		
	<b>Waiting</b> <i>Waiting to take up a new job/business already obtained</i>		
<b>Pydat</b>	On what date was the respondent last paid a wage or salary? (On what date do they expect to be paid a wage or salary?)		
<b>Startdat</b>	Date when interview with this household was started		
<b>Stat</b>	Was the respondent working as an employee or self-employed? (or record if on government scheme or doing unpaid work)		
	<b>Emp</b> <i>Employee</i>		
	<b>Selfemp</b> <i>Self-employed</i>		
	<b>GovSchem</b> <i>Government scheme</i>		
	<b>UnpaidFW</b> <i>Unpaid family worker</i>		



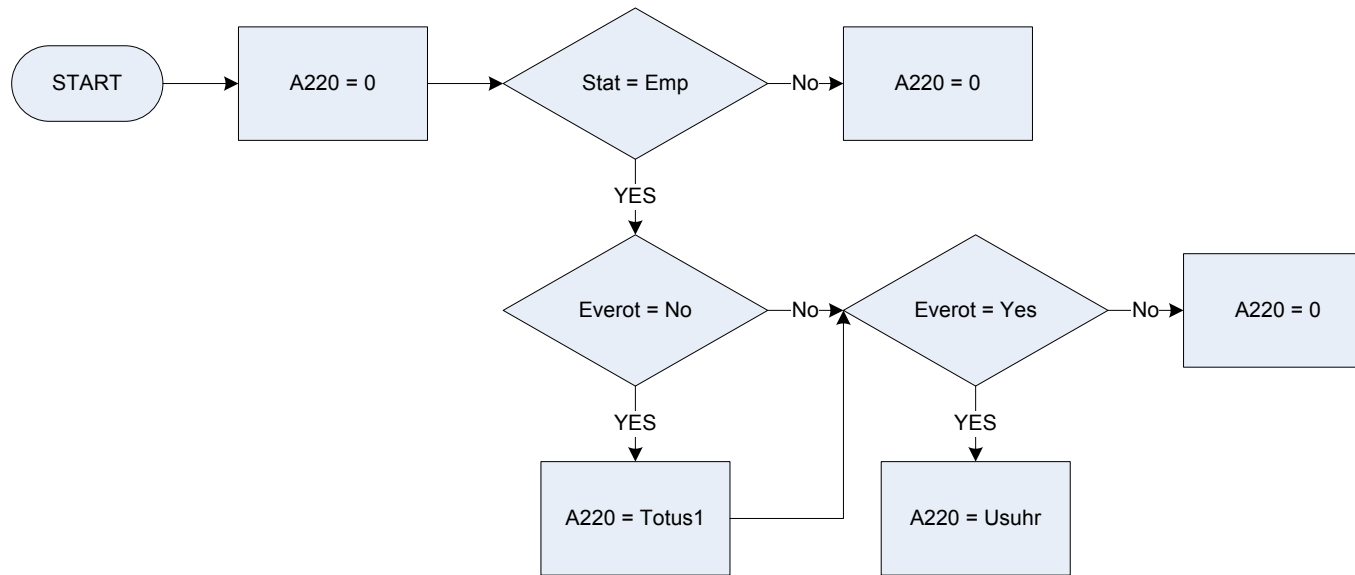
## A216 – NS Socio-economic classification - full

A216 is categorised according to the NS-SEC method of classification, as detailed below.

### A216 NS Socio-economic classification – full

<b>SEC0</b>	<i>Not recorded</i>
<b>SEC1</b>	<i>Employers in large organisations</i>
<b>SEC2</b>	<i>Higher managerial</i>
<b>SEC3</b>	<i>Higher professional (traditional ) – employees</i>
<b>SEC4</b>	<i>Higher professional (new ) – employees</i>
<b>SEC5</b>	<i>Higher professional (traditional ) - self-employed</i>
<b>SEC6</b>	<i>Higher professional (new ) - self-employed</i>
<b>SEC7</b>	<i>Lower professional &amp; higher technical (traditional) – employees</i>
<b>SEC8</b>	<i>Lower professional &amp; higher technical (new) – employees</i>
<b>SEC9</b>	<i>Lower professional &amp; higher technical (traditional) - self-employed</i>
<b>SEC10</b>	<i>Lower professional &amp; higher technical (new) - self-employed</i>
<b>SEC11</b>	<i>Lower managerial</i>
<b>SEC12</b>	<i>Higher supervisory</i>
<b>SEC13</b>	<i>Intermediate clerical and administrative</i>
<b>SEC14</b>	<i>Intermediate sales and service</i>
<b>SEC15</b>	<i>Intermediate technical and auxiliary</i>
<b>SEC16</b>	<i>Intermediate engineering</i>
<b>SEC17</b>	<i>Employers (small organisations, non-professional)</i>
<b>SEC18</b>	<i>Employers (small - agricultural)</i>
<b>SEC19</b>	<i>Own account workers (non-professional)</i>
<b>SEC20</b>	<i>Own account workers (agriculture)</i>
<b>SEC21</b>	<i>Lower supervisory</i>
<b>SEC22</b>	<i>Lower technical craft</i>
<b>SEC23</b>	<i>Lower technical process operative</i>
<b>SEC24</b>	<i>Semi-routine sales</i>
<b>SEC25</b>	<i>Semi-routine service</i>
<b>SEC26</b>	<i>Semi-routine technical</i>
<b>SEC27</b>	<i>Semi-routine operative</i>
<b>SEC28</b>	<i>Semi-routine agricultural</i>
<b>SEC29</b>	<i>Semi-routine clerical</i>
<b>SEC30</b>	<i>Semi-routine childcare</i>
<b>SEC31</b>	<i>Routine sales and service</i>
<b>SEC32</b>	<i>Routine production</i>
<b>SEC33</b>	<i>Routine technical</i>
<b>SEC34</b>	<i>Routine operative</i>
<b>SEC35</b>	<i>Routine agricultural</i>
<b>SEC36</b>	<i>Never worked</i>
<b>SEC37</b>	<i>Long-term unemployed</i>
<b>SEC38</b>	<i>Full-time students</i>
<b>SEC39</b>	<i>Occupations not stated</i>
<b>SEC40</b>	<i>Not classifiable for other reason</i>

## A220 – Usual weekly hours (excluding breaks & overtime)



### KEY

#### Stat

Was respondent working as an employee or were they self-employed?

- 1 *Employed*
- 2 *Self-employed*

#### Everot

Did respondent ever do any work which would be regarded as paid or unpaid overtime?

- 1 *Yes*
- 2 *No*

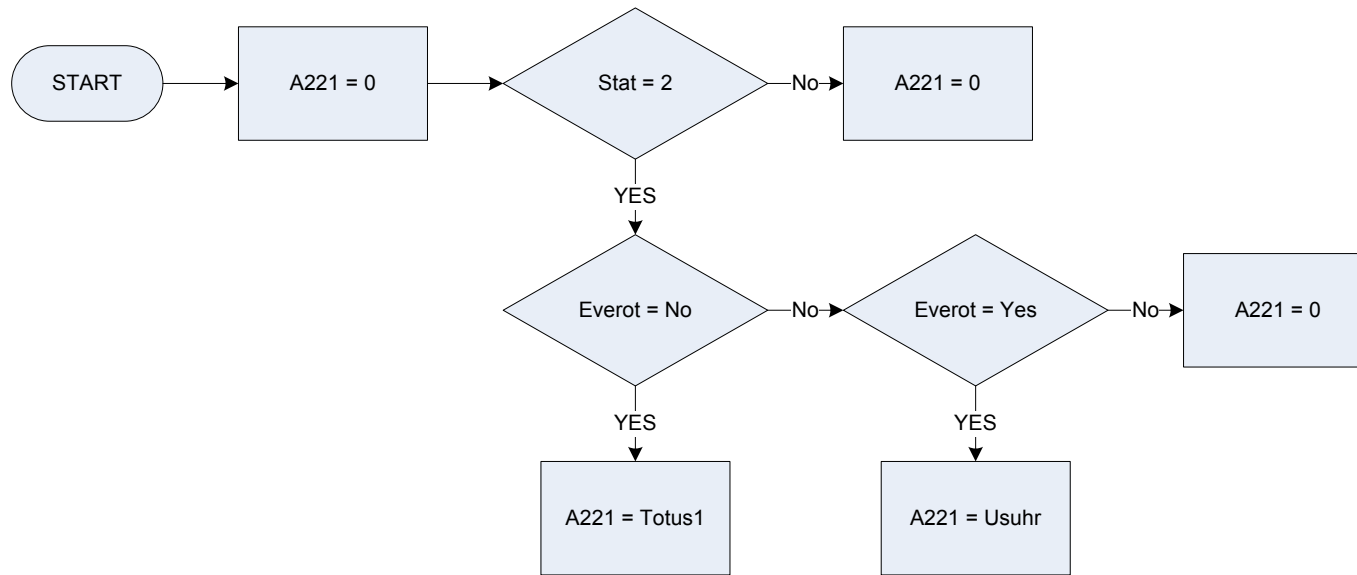
#### Totus1

How many hours per week does the respondent usually work in their (main) job/business - excluding meal breaks?

#### Usuhr

How many hours per week does the respondent usually work - excluding meal breaks and overtime?

## A221 – Self employed: usual weekly hours worked



### KEY

#### Stat

Was respondent working as an employee or were they self-employed?

- 1 *Employed*
- 2 *Self-employed*

#### Everot

Did respondent ever do any work which would be regarded as paid or unpaid overtime?

- 1 *Yes*
- 2 *No*

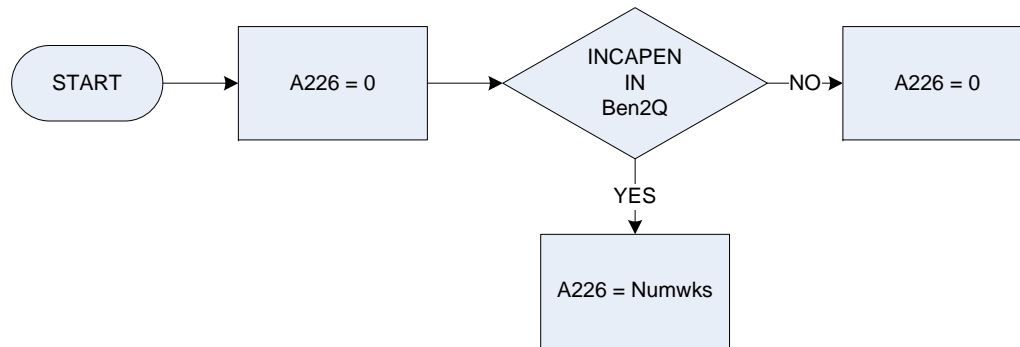
#### Totus1

How many hours per week does the respondent usually work in their (main) job/business - excluding meal breaks?

#### Usuhr

How many hours per week does the respondent usually work - excluding meal breaks and overtime?

## A226 – Incapacity benefit - number of weeks received (for cases January - June 2013)

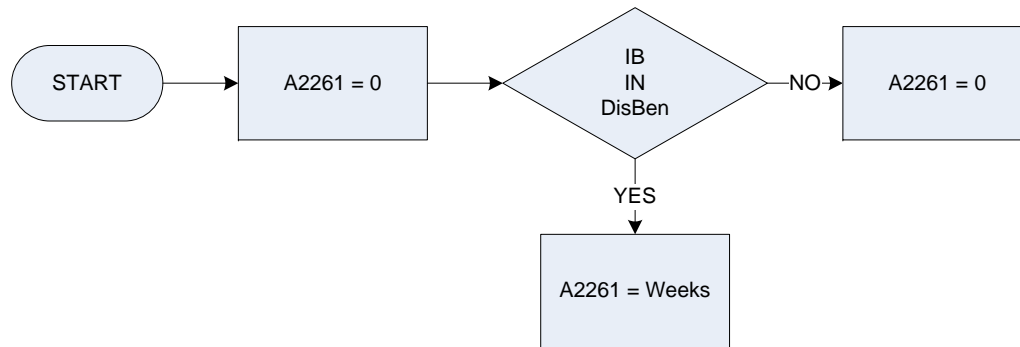


### KEY

<b>Ben2Q</b>	Is the respondent, at present receiving any of these benefits in their own right - that is, where they are the named recipient?
<b>JSA</b>	<i>Jobseeker's Allowance(JSA)</i>
<b>PC</b>	<i>Pension Credit</i>
<b>IncSupp</b>	<i>Income Support</i>
<b>IncapBen</b>	<i>Incapacity Benefit</i>
<b>ESA</b>	<i>Employment and Support Allowance {LF added 04/08/08}</i>
<b>MatAllw</b>	<i>Maternity Allowance</i>
<b>IndDisab</b>	<i>Industrial Injury Disablement Benefit</i>
<b>None</b>	<i>None of these</i>

**Numwks** Number of weeks in the last 12 months received this benefit

## A2261 – Incapacity benefit – time received (for cases from July 2013)



### KEY

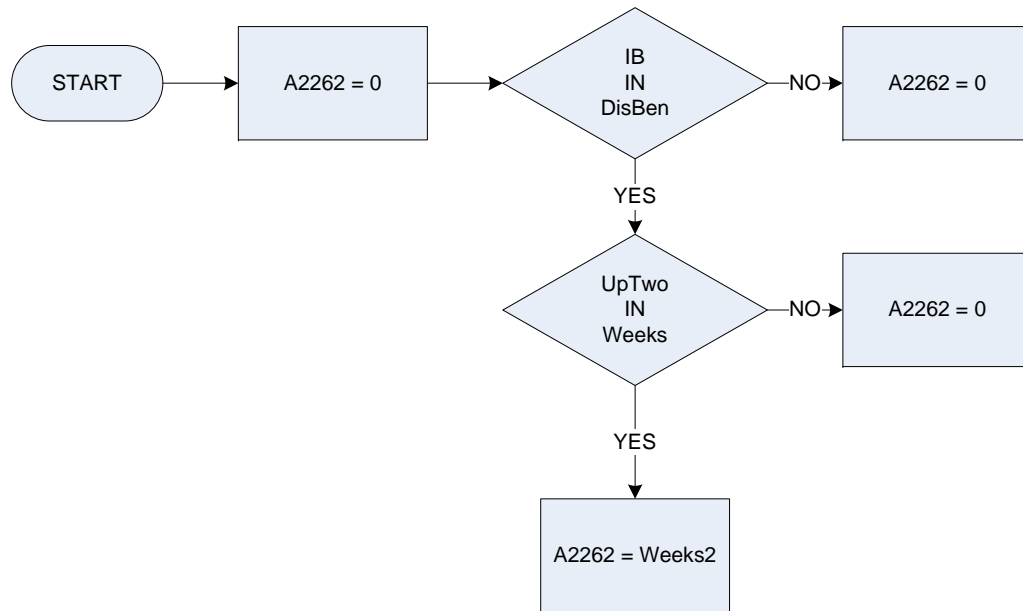
**DisBen** Is the respondent at present receiving any of these benefits in their own right, or on behalf of another person?

- PIP** *Personal Independence Payment (including the car allowance known as Motability)*
- DLA** *Disability Living Allowance (including the car allowance known as Motability)*
- AtAll** *Attendance Allowance*
- SDA** *Severe Disablement Allowance*
- IB** *Incapacity Benefit*
- IIDB** *Industrial Injury Disablement Benefit*
- None** *None of these*

**Weeks** For how long has the respondent been on this benefit?

- UpTwo** *Up to 2 years*
- LesThre** *2 years but less than 3*
- LesFour** *3 years but less than 4*
- LesFiv** *4 years but less than 5*
- MoreFiv** *5 or more years*

**A2262 – Incapacity benefit - number of weeks received (up to 2 years) (for cases from July 2013)**



**KEY**

**DisBen** Is the respondent at present receiving any of these state benefits in their own right, or on behalf of another person?

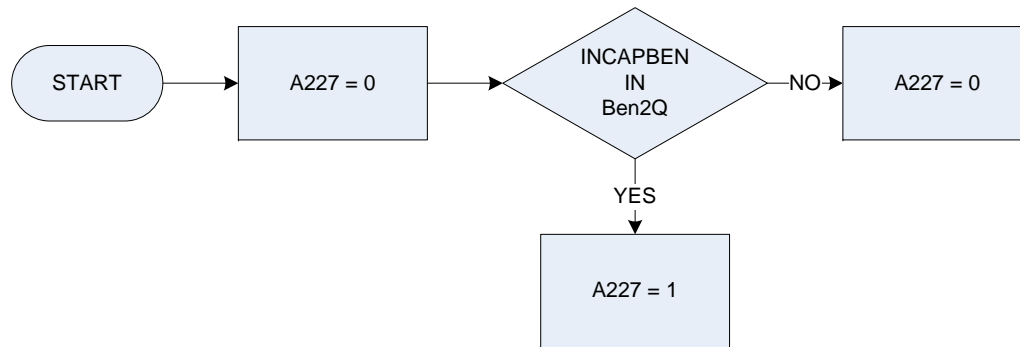
- PIP** Personal Independence Payment (including the car allowance known as Motability)
- DLA** Disability Living Allowance (including the car allowance known as Motability)
- AtAll** Attendance Allowance
- SDA** Severe Disablement Allowance
- IB** Incapacity Benefit
- IIDB** Industrial Injury Disablement Benefit
- None** None of these

**Weeks** For how long has the respondent been on this benefit?

- UpTwo** Up to 2 years
- LesThre** 2 years but less than 3
- LesFour** 3 years but less than 4
- LesFiv** 4 years but less than 5
- MoreFiv** 5 or more years

**Weeks2** For how many weeks has the respondent been on this benefit?

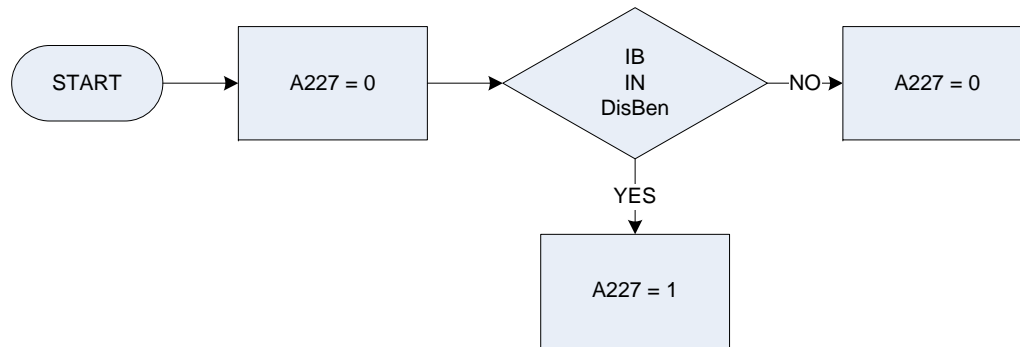
**A227 – Incapacity benefit – receiving at present (for cases January - June 2013)**



**KEY**

<b>A227</b>	Incapacity benefit - receiving at present
<b>0</b>	<i>Not applicable</i>
<b>1</b>	<i>Receiving at present</i>
<b>Ben2Q</b>	Is the respondent, at present receiving any of these benefits in their own right - that is, where they are the named recipient?
<b>JSA</b>	<i>Jobseeker's Allowance(JSA)</i>
<b>PC</b>	<i>Pension Credit</i>
<b>IncSupp</b>	<i>Income Support</i>
<b>IncapBen</b>	<i>Incapacity Benefit</i>
<b>ESA</b>	<i>Employment and Support Allowance {LF added 04/08/08}</i>
<b>MatAllw</b>	<i>Maternity Allowance</i>
<b>IndDisab</b>	<i>Industrial Injury Disablement Benefit</i>
<b>None</b>	<i>None of these</i>

**A227 – Incapacity benefit – receiving at present (for cases from July 2013)**



**KEY**

**A227**

Incapacity benefit - receiving at present

- 0** *Not applicable*
- 1** *Receiving at present*

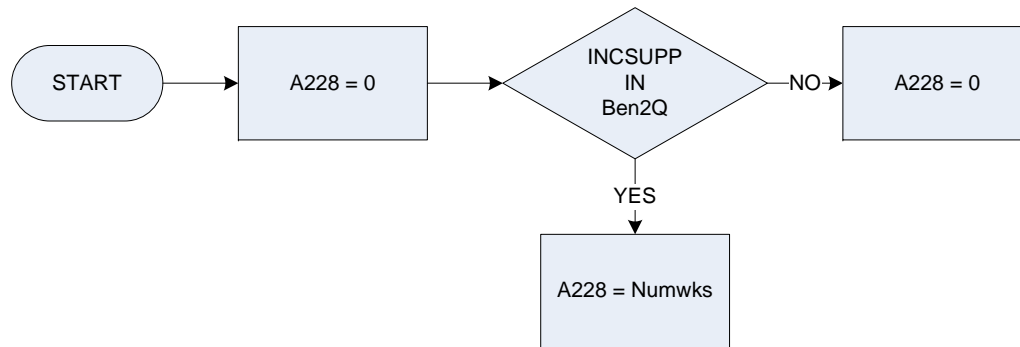
**DisBen**

Is the respondent at present receiving any of these state benefits in their own right, or on behalf of another person?

- PIP** *Personal Independence Payment (including the car allowance known as Motability)*
- DLA** *Disability Living Allowance (including the car allowance known as Motability)*
- AtAII** *Attendance Allowance*
- SDA** *Severe Disablement Allowance*
- IB** *Incapacity Benefit*
- IIDB** *Industrial Injury Disablement Benefit*
- None** *None of these*



**A228 – Income support – number of weeks received (for cases January - June 2013)**

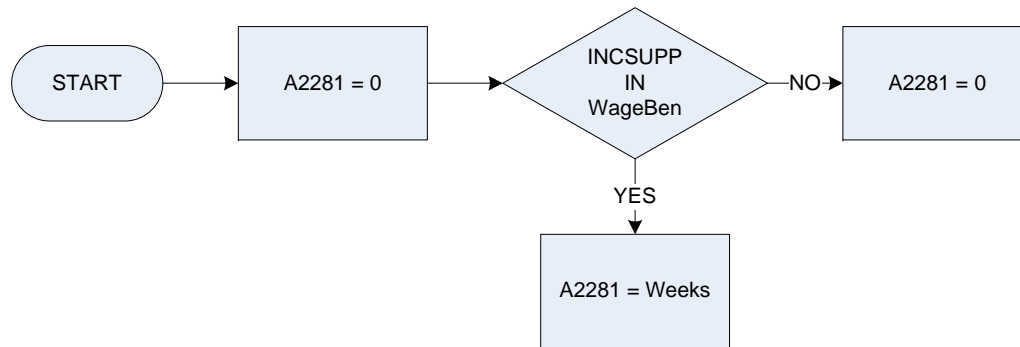


**KEY**

- Ben2Q** Is the respondent, at present receiving any of these benefits in their own right - that is, where they are the named recipient?
- JSA** *Jobseeker's Allowance(JSA)*
  - PC** *Pension Credit*
  - IncSupp** *Income Support*
  - IncapBen** *Incapacity Benefit*
  - ESA** *Employment and Support Allowance {LF added 04/08/08}*
  - MatAllw** *Maternity Allowance*
  - IndDisab** *Industrial Injury Disablement Benefit*
  - None** *None of these*

**Numwks** Number of weeks in the last 12 months received this benefit

## A2281 – Income support – Time received (for cases from July 2013)



### KEY

#### **WageBen**

Is the respondent at present receiving any of these state benefits in their own right, that is where they are the named recipient?

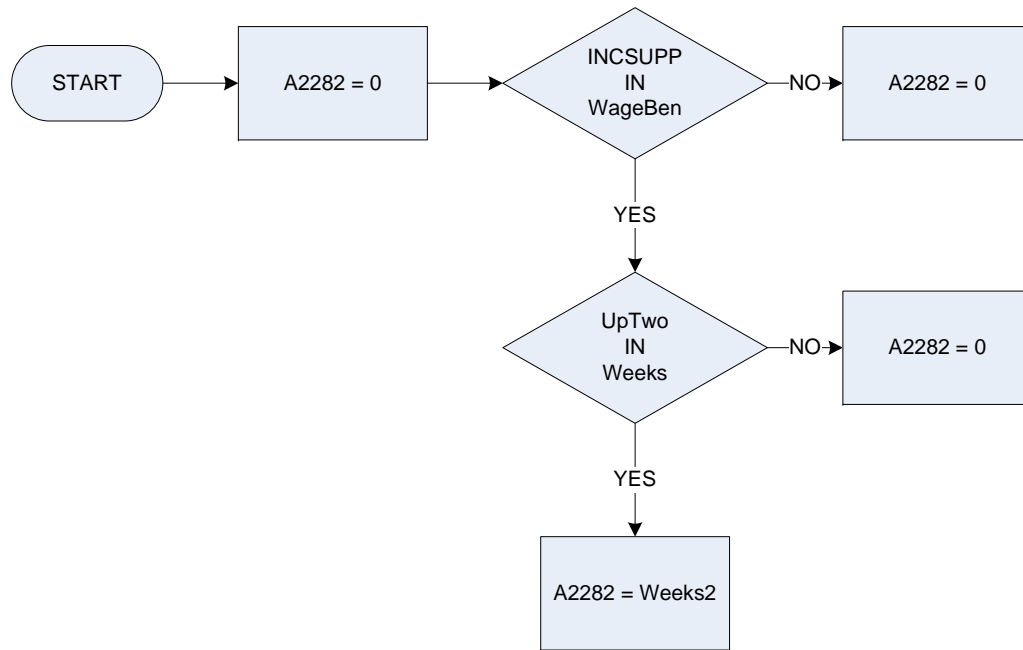
- UniCred** *Universal Credit*
- HousBen** *Housing Benefit*
- WTC** *Working Tax Credit (excluding any childcare element of Working Tax Credit)*
- CTC** *Child Tax Credit (including any childcare element of Working Tax Credit)*
- IncSupp** *Income Support*
- JSA** *Jobseeker's Allowance*
- ESA** *Employment and Support Allowance*
- CareAll** *Carer's Allowance*
- None** *None of these*

#### **Weeks**

For how long has the respondent been on this benefit?

- UpTwo** *Up to 2 years*
- LesThre** *2 years but less than 3*
- LesFour** *3 years but less than 4*
- LesFiv** *4 years but less than 5*
- MoreFiv** *5 or more years*

**A2282 – Income support - number of weeks received (up to 2 years) (for cases from July 2013)**



**KEY**

**WageBen** Is the respondent at present receiving any of these state benefits in their own right, that is where they are the named recipient?

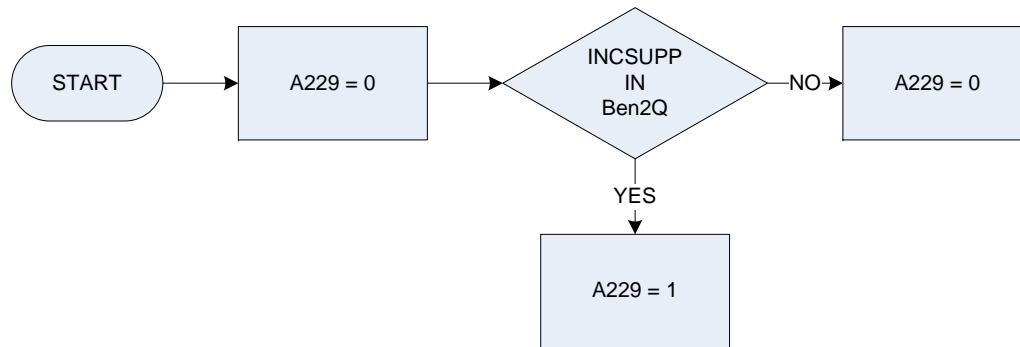
- UniCred** Universal Credit
- HousBen** Housing Benefit
- WTC** Working Tax Credit (excluding any childcare element of Working Tax Credit)
- CTC** Child Tax Credit (including any childcare element of Working Tax Credit)
- IncSupp** Income Support
- JSA** Jobseeker's Allowance
- ESA** Employment and Support Allowance
- CareAll** Carer's Allowance
- None** None of these

**Weeks** For how long has the respondent been on this benefit?

- UpTwo** Up to 2 years
- LesThre** 2 years but less than 3
- LesFour** 3 years but less than 4
- LesFiv** 4 years but less than 5
- MoreFiv** 5 or more years

**Weeks2** For how many weeks has the respondent been on this benefit?

**A229 – Income support – receiving at present (for cases January - June 2013)**



**KEY**

**A229**

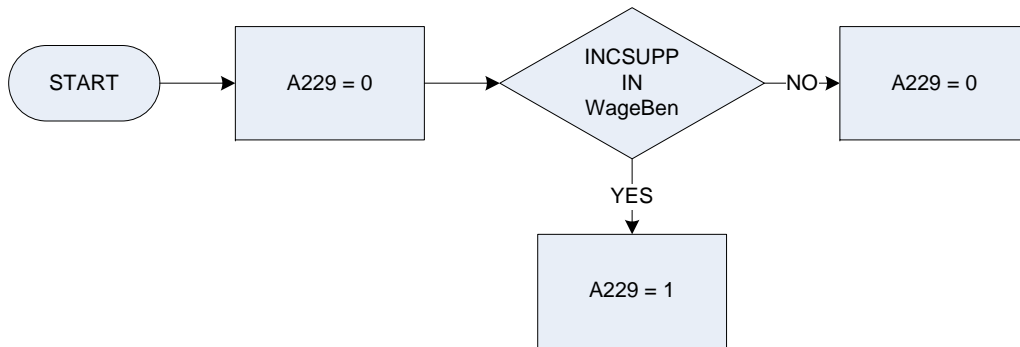
Income support - receiving at present  
**0** *Not applicable*  
**1** *Receiving at present*

**Ben2Q**

Is the respondent, at present receiving any of these benefits in their own right - that is, where they are the named recipient?

**JSA** *Jobseeker's Allowance(JSA)*  
**PC** *Pension Credit*  
**IncSupp** *Income Support*  
**IncapBen** *Incapacity Benefit*  
**ESA** *Employment and Support Allowance {LF added 04/08/08}*  
**MatAllw** *Maternity Allowance*  
**IndDisab** *Industrial Injury Disablement Benefit*  
**None** *None of these*

**A229 – Income support – receiving at present (for cases from July 2013)**



**KEY**

**A229**

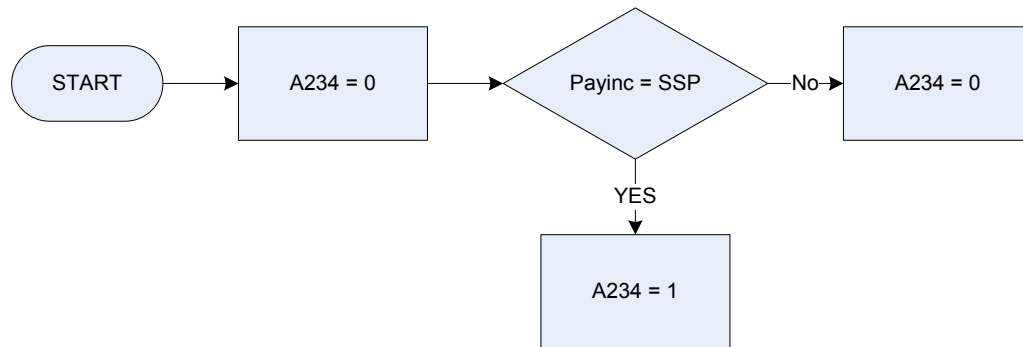
Income support - receiving at present  
 0 Not applicable  
 1 Receiving at present

**WageBen**

Is the respondent at present receiving any of these state benefits in their own right, that is where they are the named recipient?

- UniCred** Universal Credit
- HousBen** Housing Benefit
- WTC** Working Tax Credit (excluding any childcare element of Working Tax Credit)
- CTC** Child Tax Credit (including any childcare element of Working Tax Credit)
- IncSupp** Income Support
- JSA** Jobseeker's Allowance
- ESA** Employment and Support Allowance
- CareAll** Carer's Allowance
- None** None of these

## A234 – Statutory sick pay - receiving at present



### KEY

#### A234

Statutory sick pay - receiving at present

**0** Not recorded

**1** Included

#### Payinc

Did the respondent's take home pay include any of the items shown below?

**SSP** Statutory Sick Pay

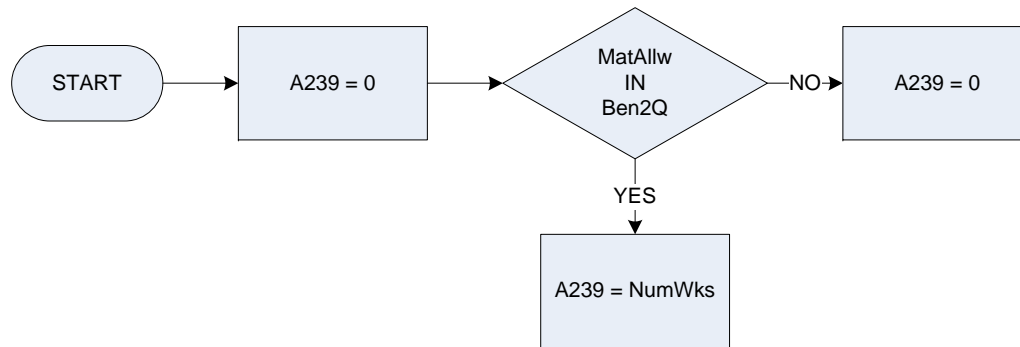
**SMP** Statutory Maternity Pay

**SPP** Statutory Paternity Pay

**SAP** Statutory Adoption Pay

**NoInc** None of these

## A239 – Maternity allowance number of weeks received (for cases January - June 2013)

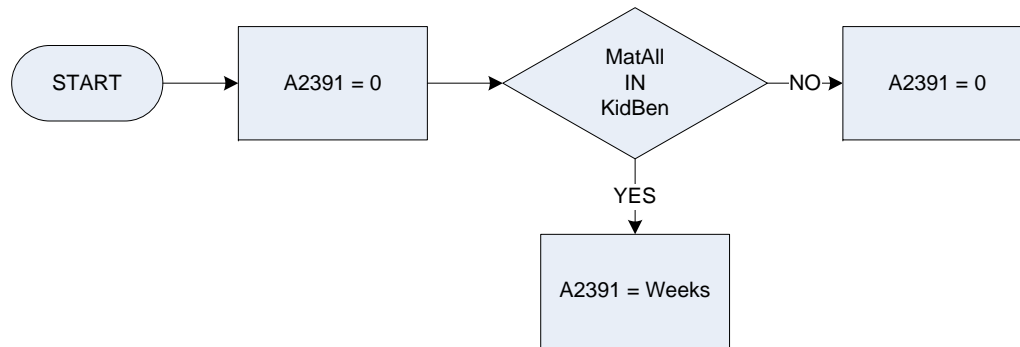


### KEY

<b>Ben2Q</b>	Is the respondent, at present receiving any of these benefits in their own right - that is, where they are the named recipient?
<b>JSA</b>	<i>Jobseeker's Allowance(JSA)</i>
<b>PC</b>	<i>Pension Credit</i>
<b>IncSupp</b>	<i>Income Support</i>
<b>IncapBen</b>	<i>Incapacity Benefit</i>
<b>ESA</b>	<i>Employment and Support Allowance {LF added 04/08/08}</i>
<b>MatAllw</b>	<i>Maternity Allowance</i>
<b>IndDisab</b>	<i>Industrial Injury Disablement Benefit</i>
<b>None</b>	<i>None of these</i>

**NumWks** Number of weeks in last 12 months received

## A2391 – Maternity allowance – time received (for cases from July 2013)



### KEY

**KidBen** Is the respondent at present receiving any of these state benefits in their own right - that is, where they are the named recipient?

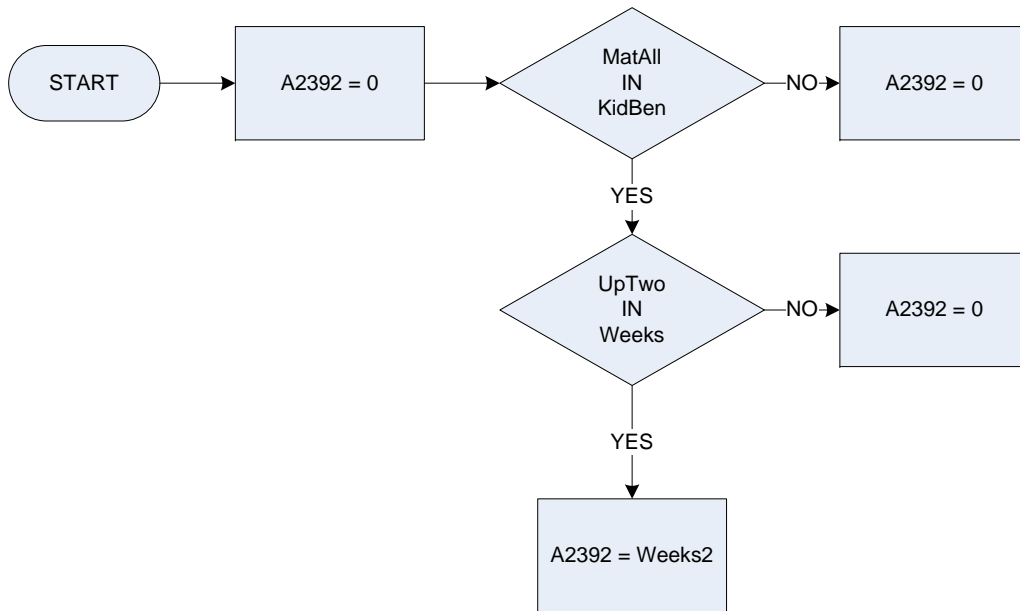
**ChildBen** *Child Benefit*  
**GuardAll** *Guardian's Allowance*  
**MatAll** *Maternity Allowance*  
**None** *None of these*

**Weeks** For how long has the respondent been on this benefit?

**UpTwo** *Up to 2 years*  
**LesThre** *2 years but less than 3*  
**LesFour** *3 years but less than 4*  
**LesFiv** *4 years but less than 5*  
**MoreFiv** *5 or more years*



**A2392 – Maternity allowance – time received (up to two years) (for cases from July 2013)**



**KEY**

**KidBen** Is the respondent at present receiving any of these state benefits in their own right - that is, where they are the named recipient?

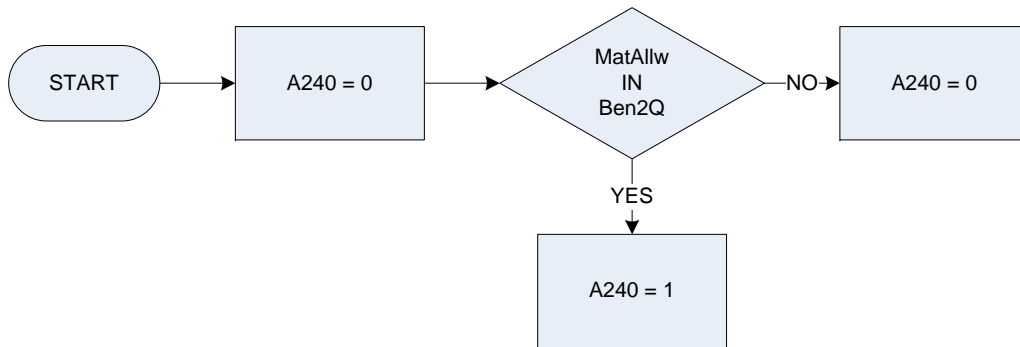
- ChildBen** *Child Benefit*
- GuardAll** *Guardian's Allowance*
- MatAll** *Maternity Allowance*
- None** *None of these*

**Weeks** For how long has the respondent been on this benefit?

- UpTwo** *Up to 2 years*
- LesThre** *2 years but less than 3*
- LesFour** *3 years but less than 4*
- LesFiv** *4 years but less than 5*
- MoreFiv** *5 or more years*

**Weeks2** For how many weeks has the respondent been on this benefit?

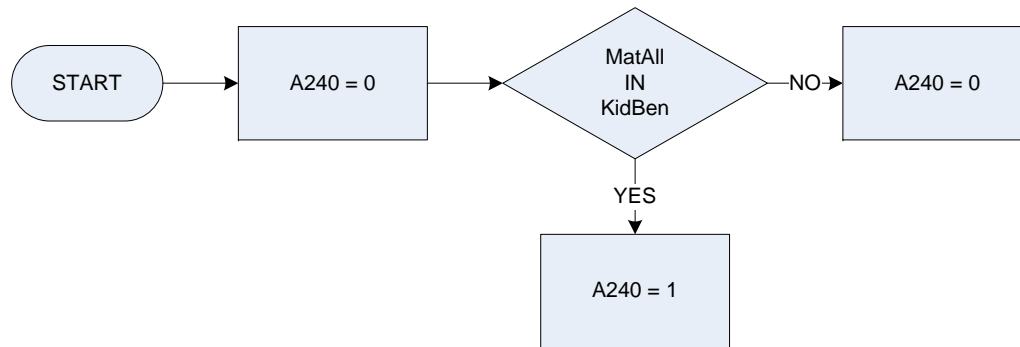
**A240 – Maternity allowance receiving at present (for cases January - June 2013)**



**KEY**

- A240**      Maternity allowance - receiving at present  
**0**            *Not applicable*  
**1**            *Receiving at present*
- Ben2Q**      Is the respondent, at present receiving any of these benefits in their own right - that is, where they are the named recipient?  
**JSA**            *Jobseeker's Allowance(JSA)*  
**PC**             *Pension Credit*  
**IncSupp**       *Income Support*  
**IncapBen**      *Incapacity Benefit*  
**ESA**            *Employment and Support Allowance {LF added 04/08/08}*  
**MatAllw**       *Maternity Allowance*  
**IndDisab**      *Industrial Injury Disablement Benefit*  
**None**           *None of these*

## A240 – Maternity allowance receiving at present (for cases from July 2013)



### KEY

#### A240

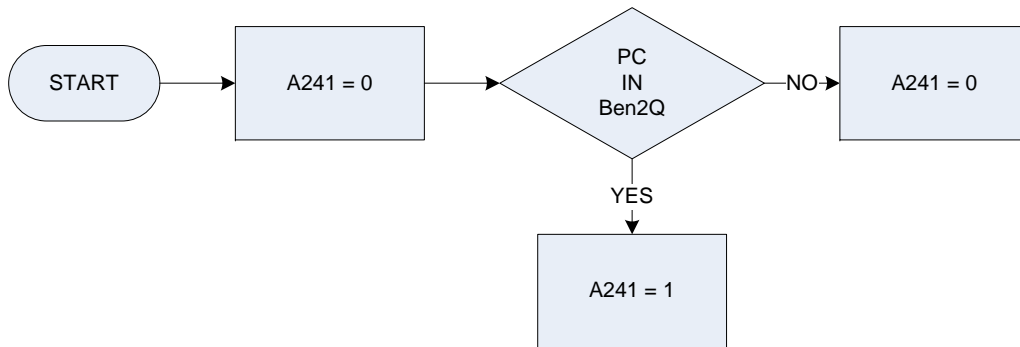
Maternity allowance - receiving at present  
**0** *Not applicable*  
**1** *Receiving at present*

#### KidBen

Is the respondent at present receiving any of these state benefits in their own right - that is, where they are the named recipient?

**ChildBen** *Child Benefit*  
**GuardAll** *Guardian's Allowance*  
**MatAll** *Maternity Allowance*  
**None** *None of these*

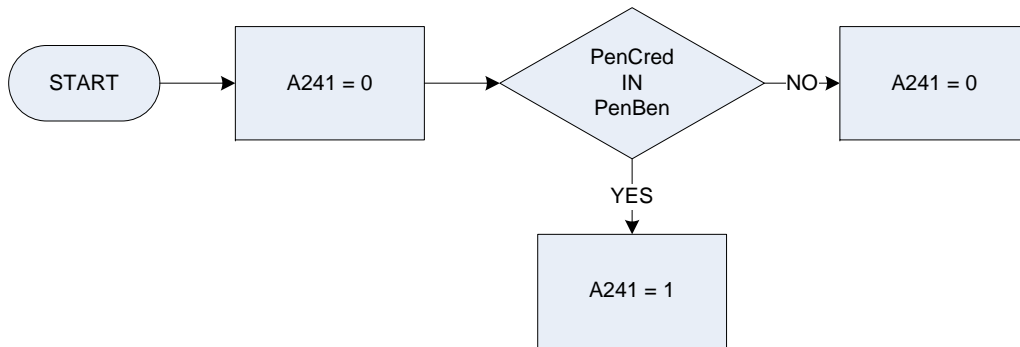
**A241 – Pension Credit – receiving at present (for cases January - June 2013)**



**KEY**

<b>A241</b>	Pension Credit - receiving at present
	<i>0 Not applicable</i>
	<i>1 PC currently received</i>
<b>Ben2Q</b>	Is the respondent, at present receiving any of these benefits in their own right - that is, where they are the named recipient?
	<b>JSA</b> <i>Jobseeker's Allowance(JSA)</i>
	<b>PC</b> <i>Pension Credit</i>
	<b>IncSupp</b> <i>Income Support</i>
	<b>IncapBen</b> <i>Incapacity Benefit</i>
	<b>ESA</b> <i>Employment and Support Allowance {LF added 04/08/08}</i>
	<b>MatAllw</b> <i>Maternity Allowance</i>
	<b>IndDisab</b> <i>Industrial Injury Disablement Benefit</i>
	<b>None</b> <i>None of these</i>

**A241 – Pension Credit – receiving at present (for cases from July 2013)**



**KEY**

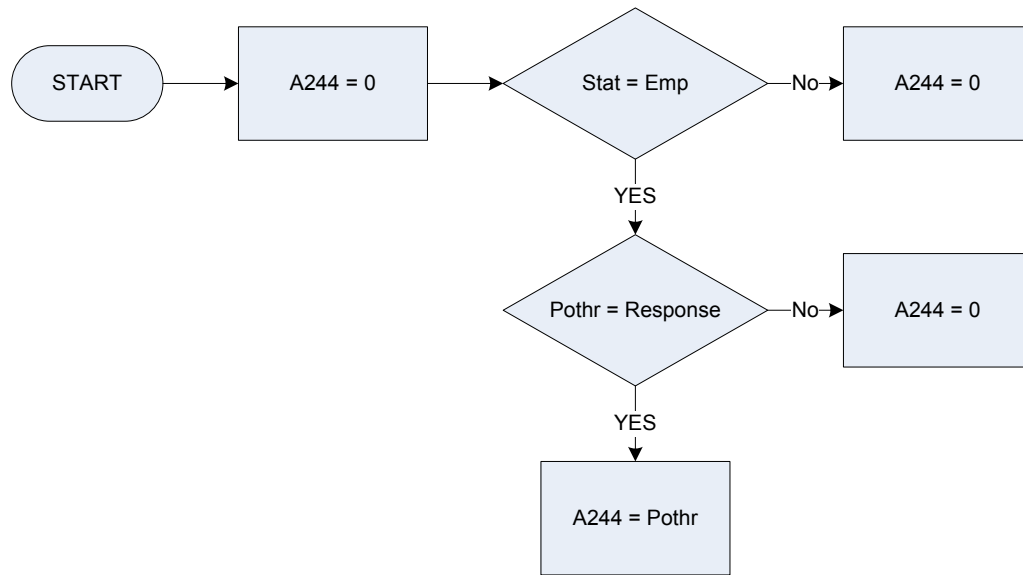
**A241**

Pension Credit - receiving at present  
**0** Not applicable  
**1** PC currently received

**PenBen**

Is the respondent, at present receiving any of these state benefits in their own right - that is, where they are the named recipient?  
**PenCred** Pension Credit  
**SRP** State Retirement Pension  
**WidBen** Widow's Pension, Bereavement Allowance, Widowed Parent's Allowance (formerly Widowed Mother's Allowance)  
**AFCS** Armed Forces Compensation Scheme (formerly War Disablement Pension), including Guaranteed Income Payments  
**WarWid** War Widow's/Widower's Pension (and any related allowances)  
**None** None of these

## A244 – Hours paid overtime usually worked



### KEY

#### Stat

Was the respondent working as an employee or were they self-employed?

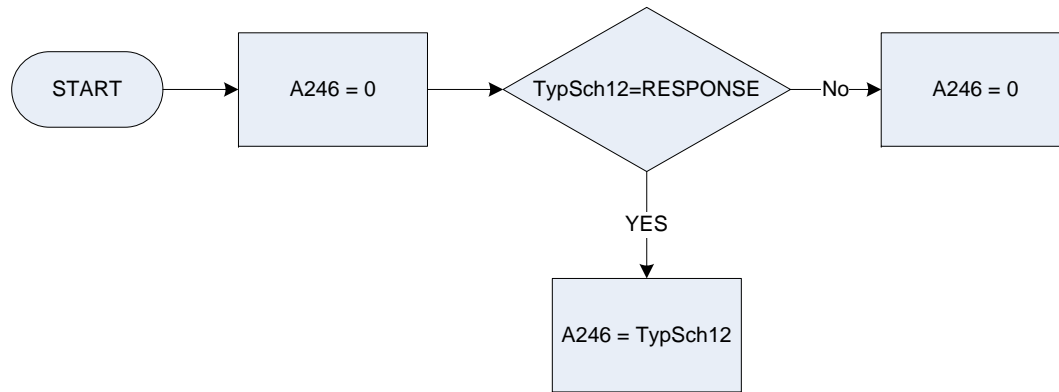
1 Employee

2 Self-employed

#### Pothr

How many hours paid overtime does the respondent usually work per week?

## A246 – Type of government training scheme attended



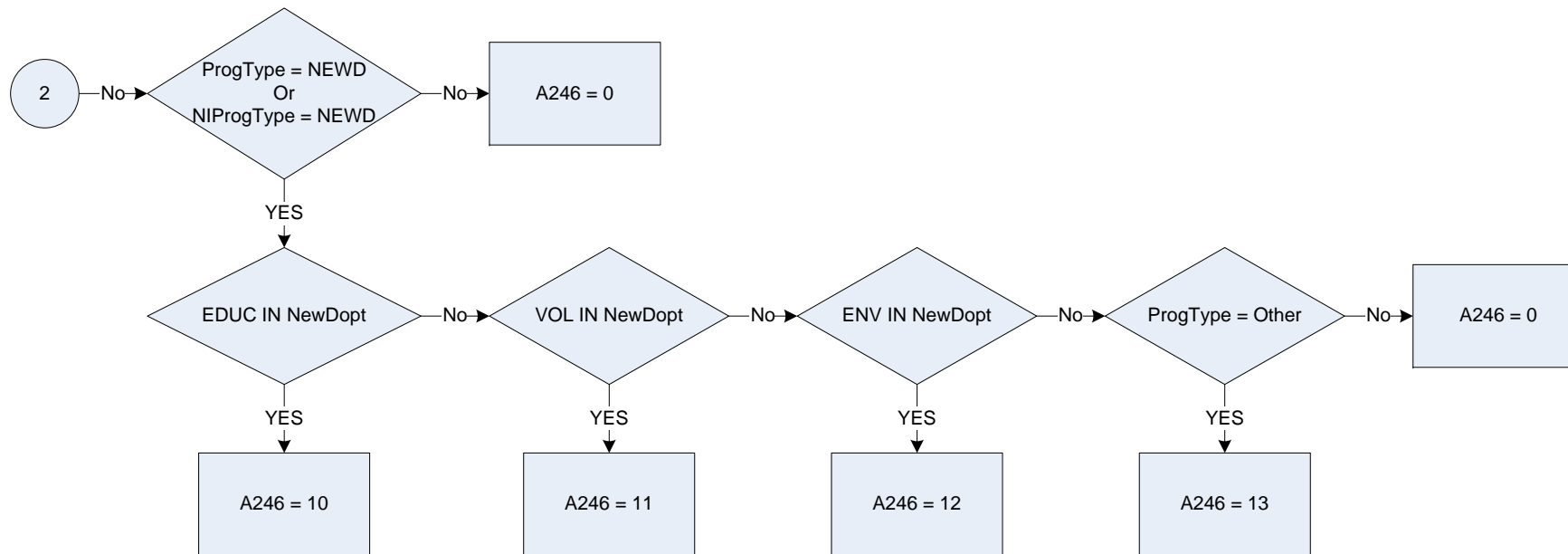
### KEY

TypSch12

**Last Week, on that government scheme, were you mainly...**

- 1 working for an employer
- 2 temporarily away from an employer
- 3 working for a voluntary organisation/charity
- 4 undertaking some other form of voluntary or community work
- 5 working for an environmental or task force
- 6 in full-time or part-time study
- 7 temporarily away from full-time or part-time study
- 8 receiving help setting up as self-employed
- 9 on a project providing work experience or practical training
- 10 undertaking some other form of employment training
- 11 or some other situation not listed?

## A246 – Type of government training scheme attended



### NIProgType

(Northern Ireland): Which scheme?

**JobSki**    *Jobskills*  
**Bridge**    *Bridge to employment*  
**EntUls**    *Enterprise Ulster*  
**WrkTrk**    *Worktrack*  
**GradTP**    *Graduate Training Programme*  
**NewD**      *New Deal for 18-24 year olds*  
**Other**      *Other government scheme*

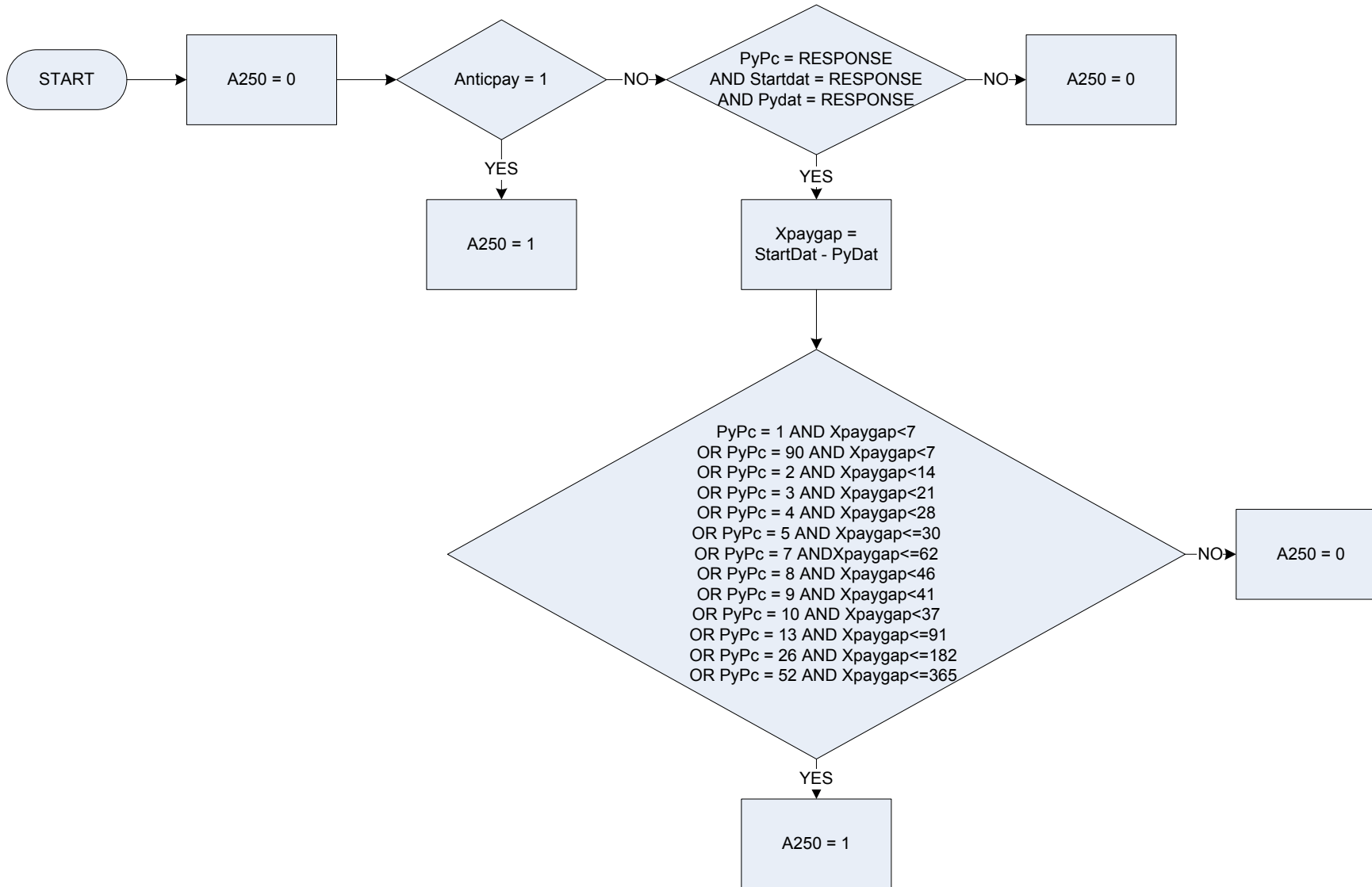
### NewDopt

Which New Deal option Was respondent most recently on?

**Gate**      *The Gateway*  
**Emp**      *Employment Option*  
**Educ**      *Full-time education or training*  
**Vol**        *Voluntary sector*  
**Env**        *Environmental task force*



**A250 – Main job – last pay was received in specified time period**

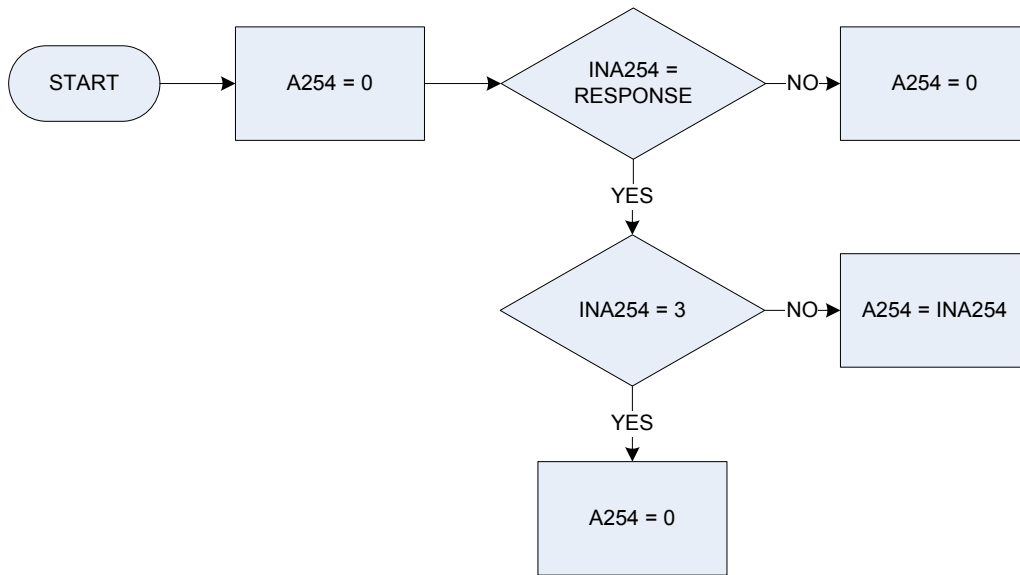


## A250 – Main job – last pay was received in specified time period

### KEY

<b>A250</b>	Main job – last pay was received in specified time period
<b>0</b>	<i>Not recorded</i>
<b>1</b>	<i>Received</i>
<b>Anticpay</b>	If in new job & not yet paid anticipated pay given
<b>1</b>	<i>Anticipated pay to be given</i>
<b>2</b>	<i>Others</i>
<b>PyPc</b>	How long did LAST take home pay cover?
<b>1</b>	<i>Less than a week</i>
<b>90</b>	<i>Less than a week</i>
<b>2</b>	<i>2 weeks</i>
<b>3</b>	<i>3 weeks</i>
<b>4</b>	<i>4 weeks</i>
<b>5</b>	<i>Calendar month</i>
<b>7</b>	<i>2 calendar months</i>
<b>8</b>	<i>8 times a year</i>
<b>9</b>	<i>9 times a year</i>
<b>10</b>	<i>10 times a year</i>
<b>13</b>	<i>3 months/13 week</i>
<b>26</b>	<i>6 months/26 weeks</i>
<b>52</b>	<i>1 year, 12 months, 52 weeks</i>
<b>Pydat</b>	Date last paid (or expect to be paid) a wage or salary
<b>Startdat</b>	Date when interview with this household was started
<b>Xpaygap</b>	Temporary variable used in calculations - Number of days between last pay date and interview with household

## A254 – Last take home pay – normal/not normal amount



### KEY

**A254** Last take home pay – is this the amount usually received by respondent?

**0** Not recorded

**1** Normal

**2** Not normal

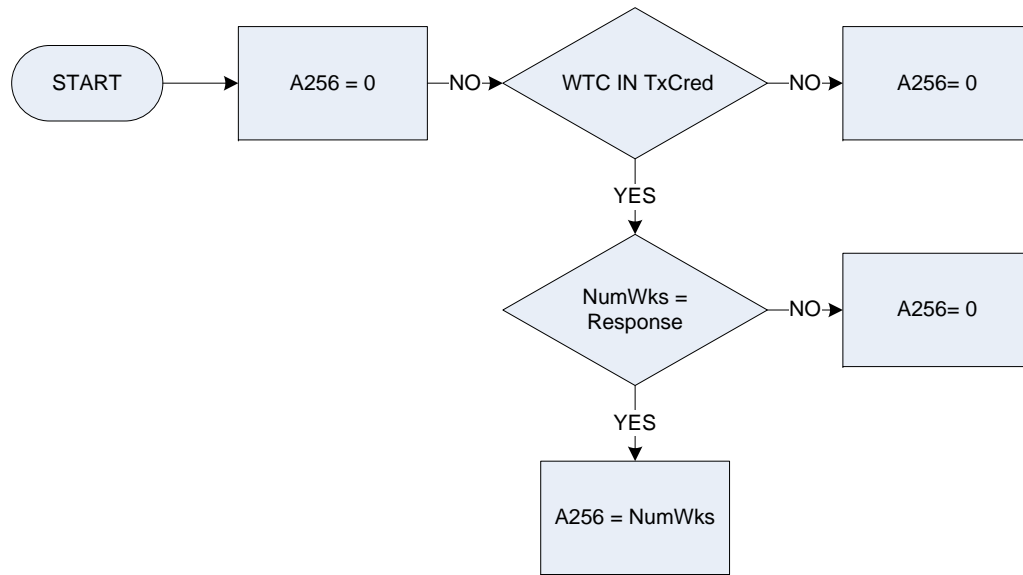
**INA254** Was the last take home pay the amount the respondent usually receives?

**1** Yes

**2** No

**3** No usual amount

**A256 – Working Tax Credits – number of weeks received (for cases January - June 2013)**

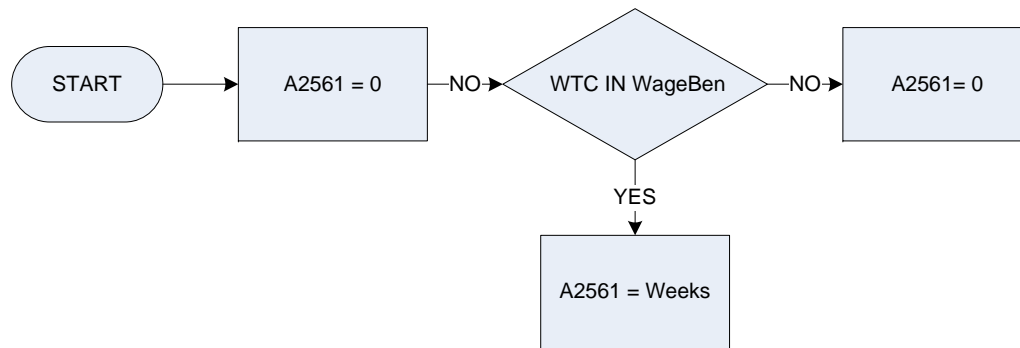


**KEY**

**TxCred** Is the respondent, at present receiving any of these Tax Credit payments, in their own right: include any lump sum payments received in the last six months?  
**WTC** Working Tax Credit (excluding any childcare tax credit)  
**CTC** Child Tax Credit (including any childcare tax credit)  
**None** None of these

**NumWks** Number of weeks in last 12 months respondent received WTC

## A2561 – Working Tax Credits – time received (for cases from July 2013)



### KEY

#### WageBen

Is the respondent at present receiving any of these state benefits in their own right, that is where they are the named recipient?

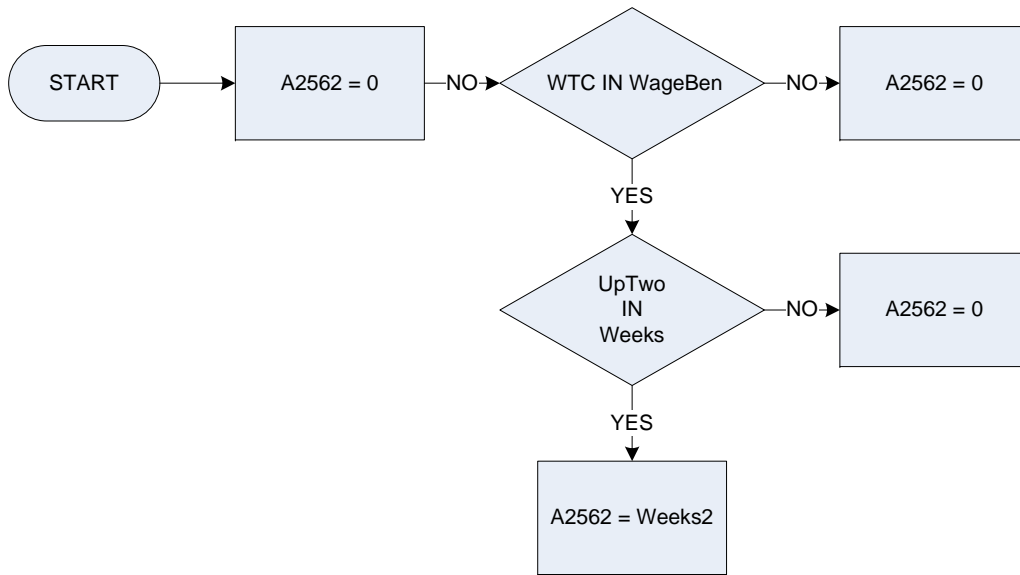
- UniCred** *Universal Credit*
- HousBen** *Housing Benefit*
- WTC** *Working Tax Credit (excluding any childcare element of Working Tax Credit)*
- CTC** *Child Tax Credit (including any childcare element of Working Tax Credit)*
- IncSupp** *Income Support*
- JSA** *Jobseeker's Allowance*
- ESA** *Employment and Support Allowance*
- CareAll** *Carer's Allowance*
- None** *None of these*

#### Weeks

For how long has the respondent been on this benefit?

- UpTwo** *Up to 2 years*
- LesThre** *2 years but less than 3*
- LesFour** *3 years but less than 4*
- LesFiv** *4 years but less than 5*
- MoreFiv** *5 or more years*

## A2562 – Working Tax Credits – number of weeks received (up to two years) (for cases from July 2013)



### KEY

**WageBen** Is the respondent at present receiving any of these state benefits in their own right, that is where they are the named recipient?

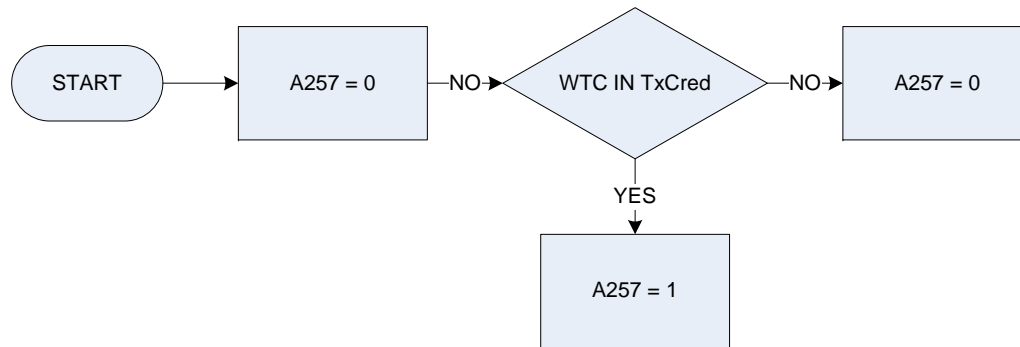
- UniCred** Universal Credit
- HousBen** Housing Benefit
- WTC** Working Tax Credit (excluding any childcare element of Working Tax Credit)
- CTC** Child Tax Credit (including any childcare element of Working Tax Credit)
- IncSupp** Income Support
- JSA** Jobseeker's Allowance
- ESA** Employment and Support Allowance
- CareAll** Carer's Allowance
- None** None of these

**Weeks** For how long has the respondent been on this benefit?

- UpTwo** Up to 2 years
- LesThre** 2 years but less than 3
- LesFour** 3 years but less than 4
- LesFiv** 4 years but less than 5
- MoreFiv** 5 or more years

**Weeks2** For how many weeks has the respondent been on this benefit?

**A257 – Working Tax Credits – receiving at present (for cases January - June 2013)**

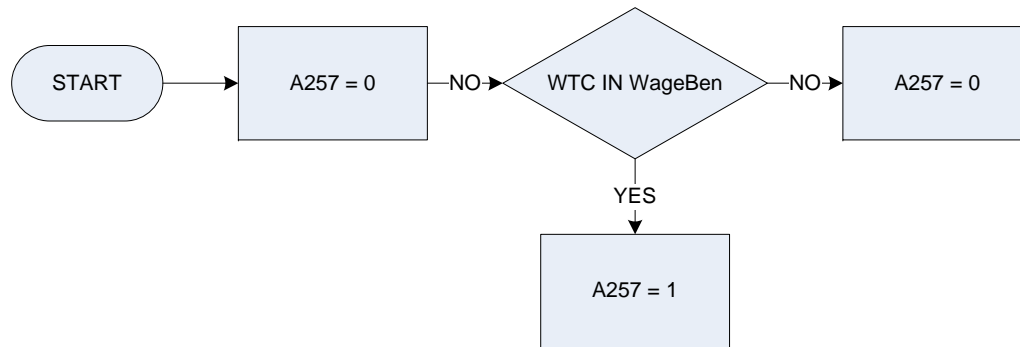


**KEY**

**A257** Working Family Tax Credit / Working Tax Credit - receiving at present  
**0** Not applicable  
**1** Receiving at present

**TxCred** Is the respondent, at present receiving any of these Tax Credit payments, in their own right: include any lump sum payments received in the last six months?  
**WTC** Working Tax Credit (excluding any childcare tax credit)  
**CTC** Child Tax Credit (including any childcare tax credit)  
**None** None of these

## A257 – Working Tax Credits – receiving at present (for cases from July 2013)



### KEY

#### **A257**

Working Family Tax Credit / Working Tax Credit - receiving at present

**0** Not applicable

**1** Receiving at present

#### **WageBen**

Is the respondent at present receiving any of these state benefits in their own right, that is where they are the named recipient?

**UniCred** Universal Credit

**HousBen** Housing Benefit

**WTC** Working Tax Credit (excluding any childcare element of Working Tax Credit)

**CTC** Child Tax Credit (including any childcare element of Working Tax Credit)

**IncSupp** Income Support

**JSA** Jobseeker's Allowance

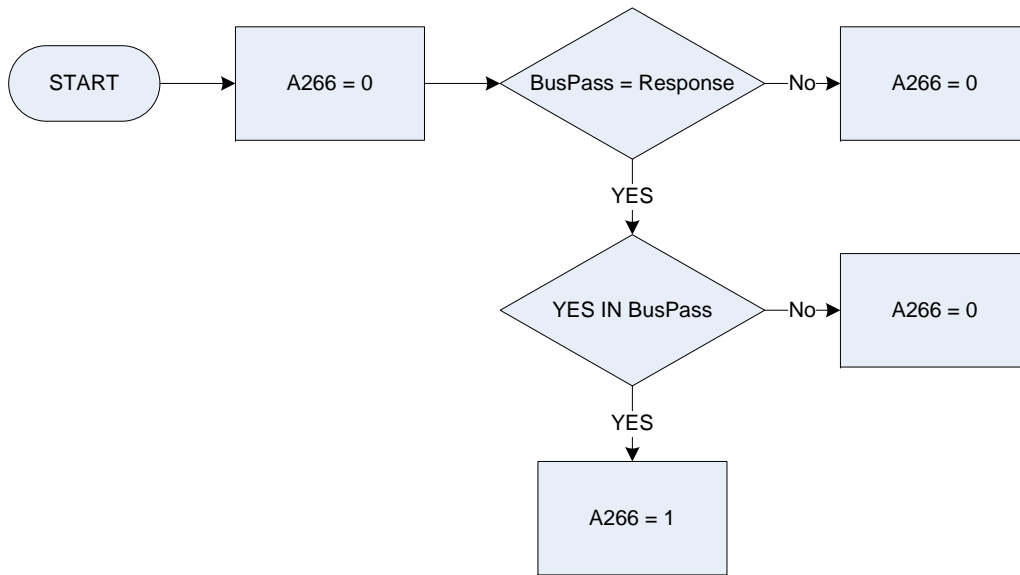
**ESA** Employment and Support Allowance

**CareAll** Carer's Allowance

**None** None of these



## A266 – OAP concessionary bus pass



### KEY

#### **A266**

OAP concessionary bus pass

**0** Not owned

**1** Owned

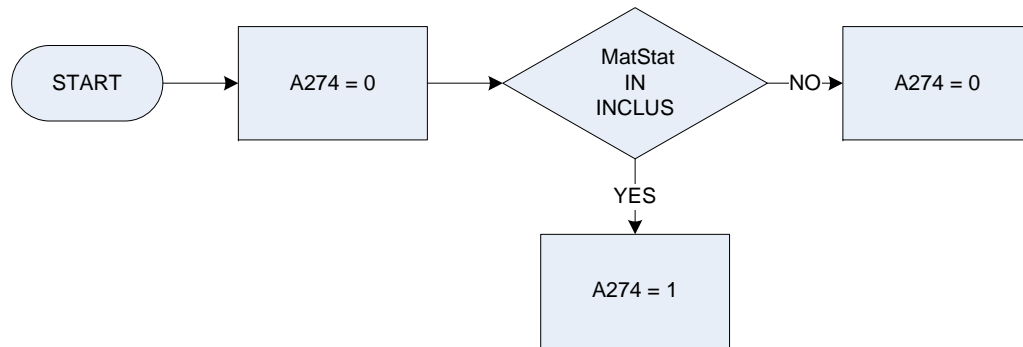
#### **BusPass**

At present do you have an older person's concessionary bus pass?

**Yes** Yes

**No** No

## A274 – Statutory maternity pay – received at present



### KEY

#### A274

Statutory maternity pay received at present

**0** *Not applicable*

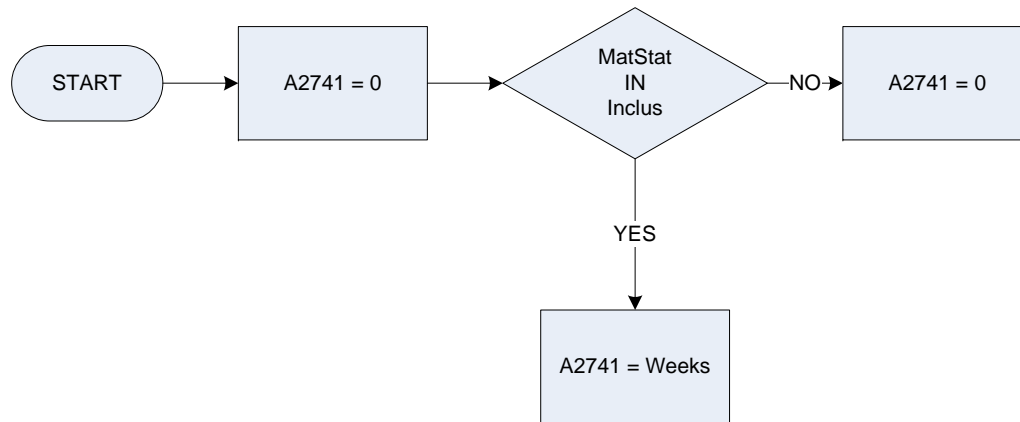
**1** *Receiving at present*

#### INCLUS

Did the respondents last wage/salary include any of these items?

StatSick	Statutory Sick Pay
MatStat	Statutory Maternity Pay
PatStat	Statutory Paternity Pay
AdopStat	Statutory Adoption Pay
TaxRefnd	Income Tax Refund
MileAllw	Mileage Allowance or fixed allowance for motoring
MotExpen	Motoring Expenses Refund
None	None of these

## A2741 – Statutory maternity pay – time received (for cases from July 2013)



### KEY

#### Includ

Did the respondent's last wage/salary include any of these items?

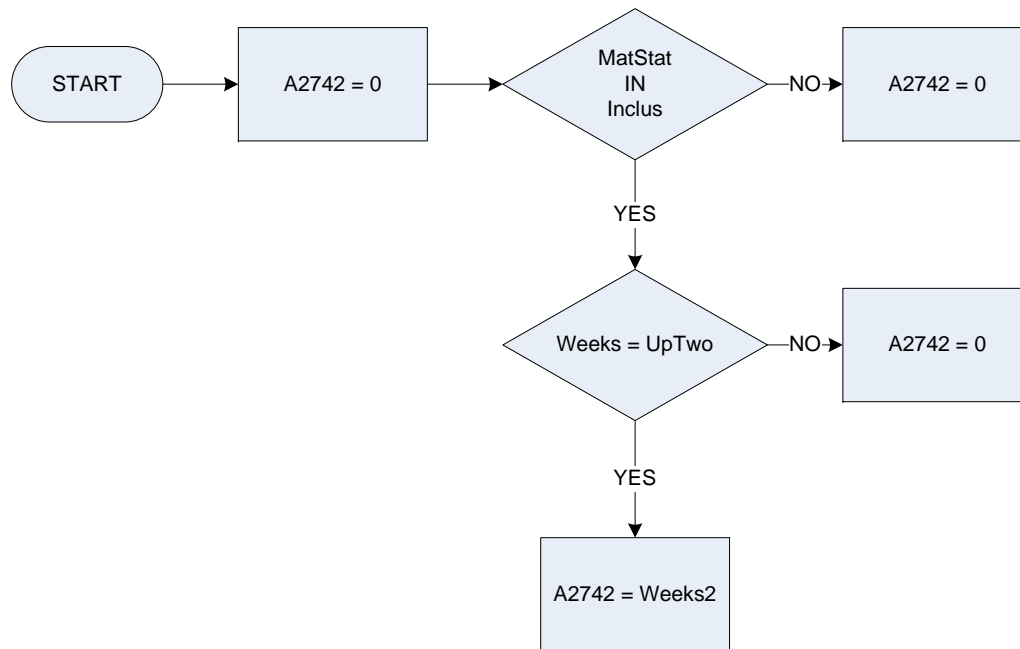
- StatSick** Statutory Sick Pay
- MatStat** Statutory Maternity Pay
- PatStat** Statutory Paternity Pay
- AdopStat** Statutory Adoption Pay
- TaxRefnd** Income Tax Refund
- MileAllw** Mileage Allowance or fixed allowance for motoring
- MotExpen** Motoring Expenses Refund
- None** None of these

#### Weeks

For how long has the respondent been on this benefit?

- 1** Up to 2 years
- 2** 2 years but less than 3
- 3** 3 years but less than 4
- 4** 4 years but less than 5
- 5** 5 or more years

## A2742 – Statutory maternity pay - number of weeks received (up to 2 years) (for cases from July 2013)



### KEY

#### Inclus

Did the respondent's last wage/salary include any of these items?

- StatSick** Statutory Sick Pay
- MatStat** Statutory Maternity Pay
- PatStat** Statutory Paternity Pay
- AdopStat** Statutory Adoption Pay
- TaxRefnd** Income Tax Refund
- MileAllw** Mileage Allowance or fixed allowance for motoring
- MotExpen** Motoring Expenses Refund
- None** None of these

#### Weeks

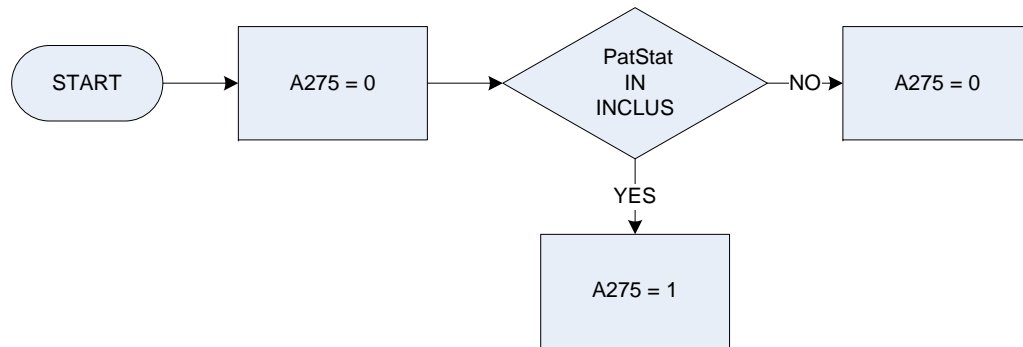
For how long has the respondent been on this benefit?

- UpTwo** Up to 2 years
- LesThre** 2 years but less than 3
- LesFour** 3 years but less than 4
- LesFiv** 4 years but less than 5
- MoreFiv** 5 or more years

#### Weeks2

For how many weeks has the respondent been on this benefit?

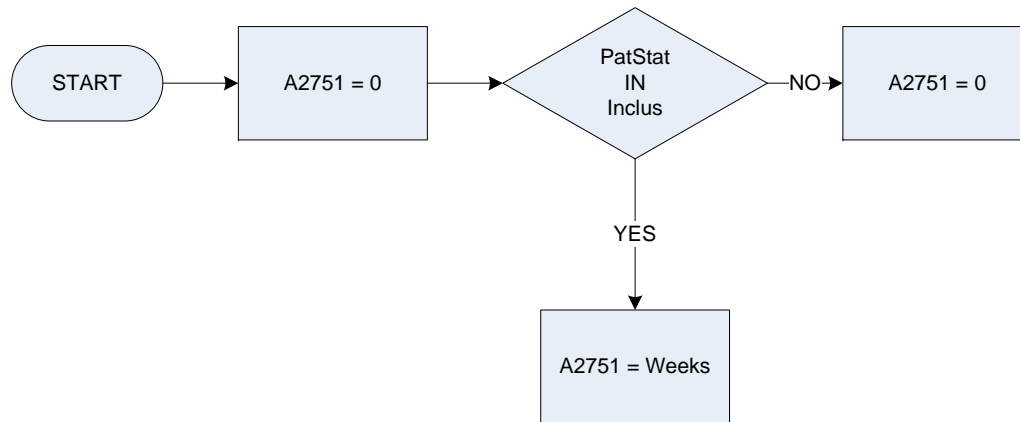
**A275 – Statutory paternity pay – received at present (for cases from July 2013)**



**KEY**

<b>A275</b>	Statutory paternity pay received at present
<b>0</b>	<i>Not applicable</i>
<b>1</b>	<i>Receiving at present</i>
<b>INCLUS</b>	Did the respondents last wage/salary include any of these items?
StatSick	Statutory Sick Pay
MatStat	Statutory Maternity Pay
PatStat	Statutory Paternity Pay
AdopStat	Statutory Adoption Pay
TaxRefnd	Income Tax Refund
MileAllw	Mileage Allowance or fixed allowance for motoring
MotExpen	Motoring Expenses Refund
None	None of these

## A2751 – Statutory paternity pay – time received (for cases from July 2013)



### KEY

#### Includ

Did the respondent's last wage/salary include any of these items?

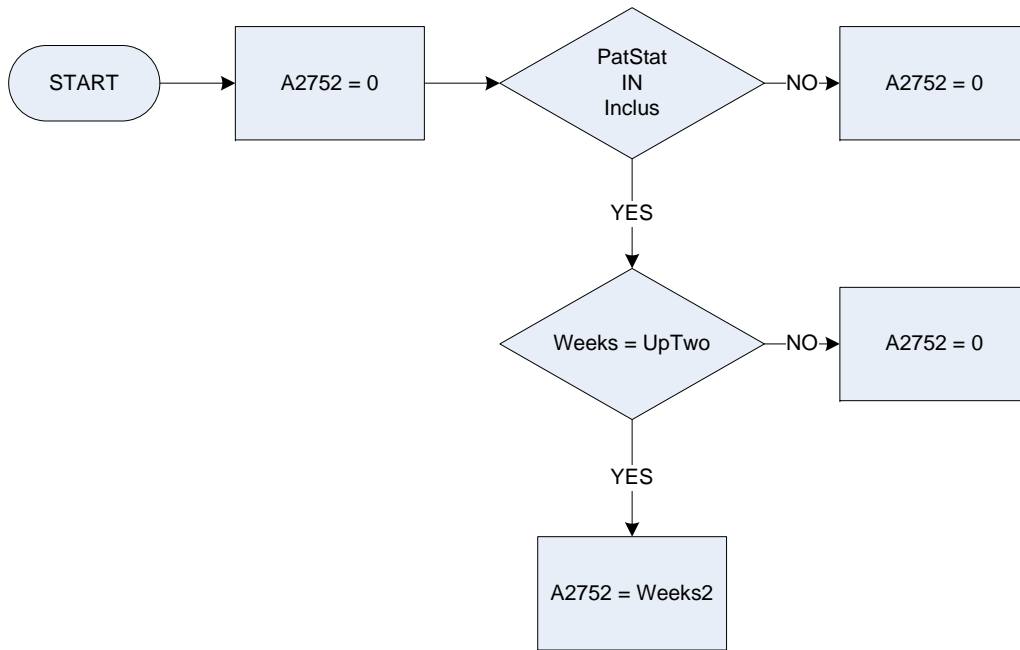
- StatSick** Statutory Sick Pay
- MatStat** Statutory Maternity Pay
- PatStat** Statutory Paternity Pay
- AdopStat** Statutory Adoption Pay
- TaxRefnd** Income Tax Refund
- MileAllw** Mileage Allowance or fixed allowance for motoring
- MotExpen** Motoring Expenses Refund
- None** None of these

#### Weeks

For how long has the respondent been on this benefit?

- 1** Up to 2 years
- 2** 2 years but less than 3
- 3** 3 years but less than 4
- 4** 4 years but less than 5
- 5** 5 or more years

**A2752 – Statutory paternity pay - number of weeks received (up to 2 years) (for cases from July 2013)**



**KEY**

**Includ**

Did the respondent's last wage/salary include any of these items?

- StatSick** Statutory Sick Pay
- MatStat** Statutory Maternity Pay
- PatStat** Statutory Paternity Pay
- AdopStat** Statutory Adoption Pay
- TaxRefnd** Income Tax Refund
- MileAllw** Mileage Allowance or fixed allowance for motoring
- MotExpen** Motoring Expenses Refund
- None** None of these

**Weeks**

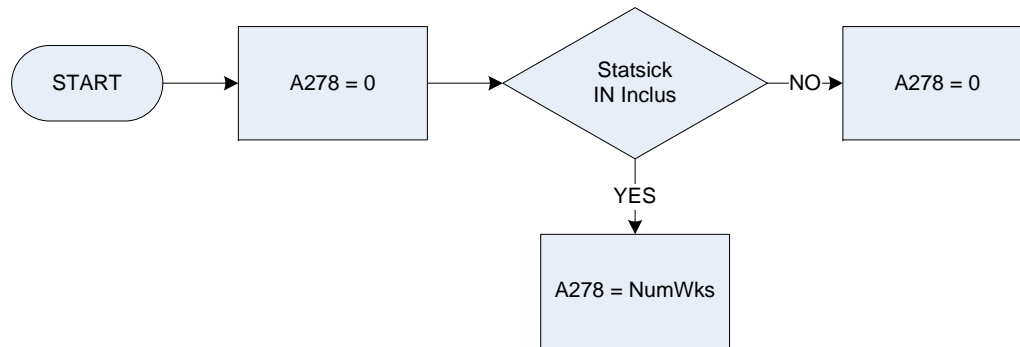
For how long has the respondent been on this benefit?

- UpTwo** Up to 2 years
- LesThre** 2 years but less than 3
- LesFour** 3 years but less than 4
- LesFiv** 4 years but less than 5
- MoreFiv** 5 or more years

**Weeks2**

For how many weeks has the respondent been on this benefit?

**A278 – Statutory sick pay – number of weeks received (for cases January - June 2013)**



**KEY**

**INCLUS**

Did the respondents last wage/salary include any of these items?

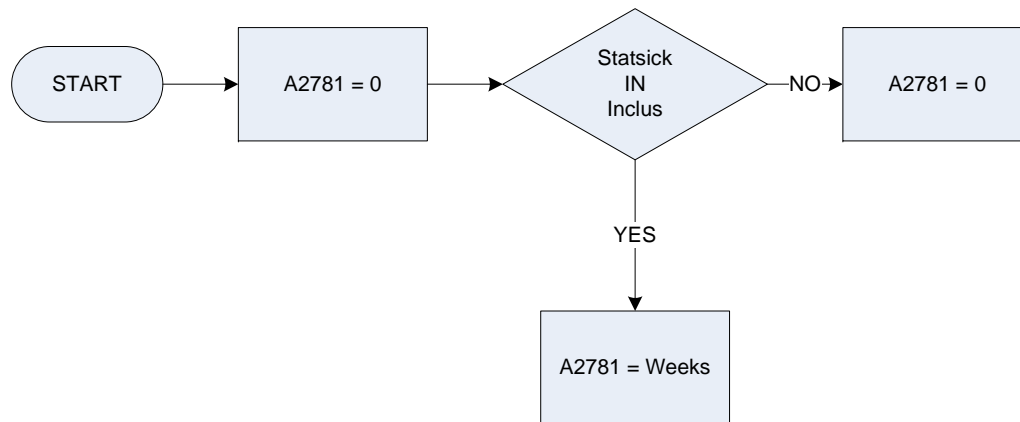
- StatSick**            *Statutory Sick Pay*
- MatStat**            *Statutory Maternity Pay*
- PatStat**            *Statutory Paternity Pay*
- AdopStat**          *Statutory Adoption Pay*
- TaxRefnd**          *Income Tax Refund*
- MileAllw**          *Mileage Allowance or fixed allowance for motoring*
- MotExpen**          *Motoring Expenses Refund*
- None**                *None of these*

**NumWks**

Number of weeks in last 12 months received benefit



## A2781 – Statutory sick pay – time received (for cases from July 2013)



### KEY

#### Includ

Did the respondent's last wage/salary include any of these items?

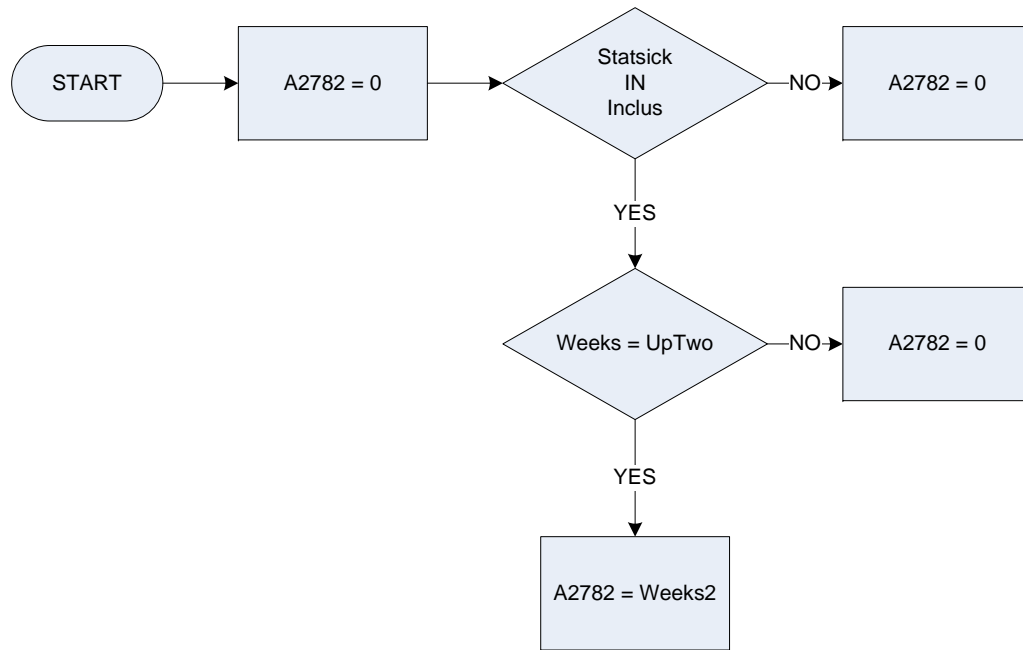
- StatSick** Statutory Sick Pay
- MatStat** Statutory Maternity Pay
- PatStat** Statutory Paternity Pay
- AdopStat** Statutory Adoption Pay
- TaxRefnd** Income Tax Refund
- MileAllw** Mileage Allowance or fixed allowance for motoring
- MotExpen** Motoring Expenses Refund
- None** None of these

#### Weeks

For how long has the respondent been on this benefit?

- 1** Up to 2 years
- 2** 2 years but less than 3
- 3** 3 years but less than 4
- 4** 4 years but less than 5
- 5** 5 or more years

## A2782 – Statutory sick pay - number of weeks received (up to 2 years) (for cases from July 2013)



### KEY

#### Inclus

Did the respondent's last wage/salary include any of these items?

- StatSick** Statutory Sick Pay
- MatStat** Statutory Maternity Pay
- PatStat** Statutory Paternity Pay
- AdopStat** Statutory Adoption Pay
- TaxRefnd** Income Tax Refund
- MileAllw** Mileage Allowance or fixed allowance for motoring
- MotExpen** Motoring Expenses Refund
- None** None of these

#### Weeks

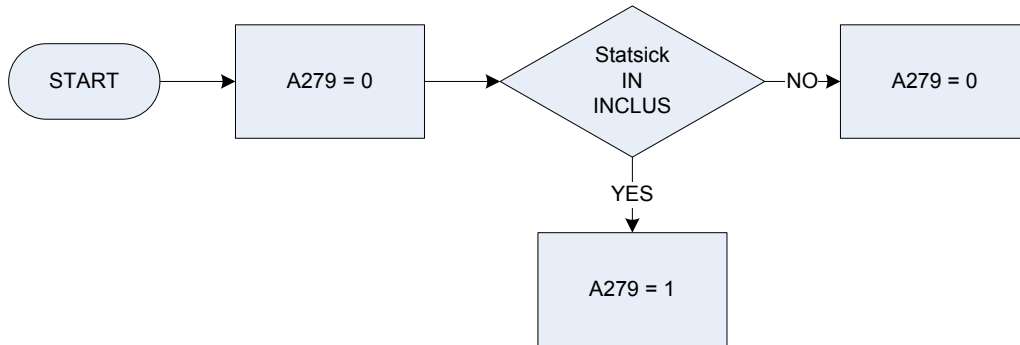
For how long has the respondent been on this benefit?

- UpTwo** Up to 2 years
- LesThre** 2 years but less than 3
- LesFour** 3 years but less than 4
- LesFiv** 4 years but less than 5
- MoreFiv** 5 or more years

#### Weeks2

For how many weeks has the respondent been on this benefit?

## A279 – Statutory sick pay – receiving at present



### KEY

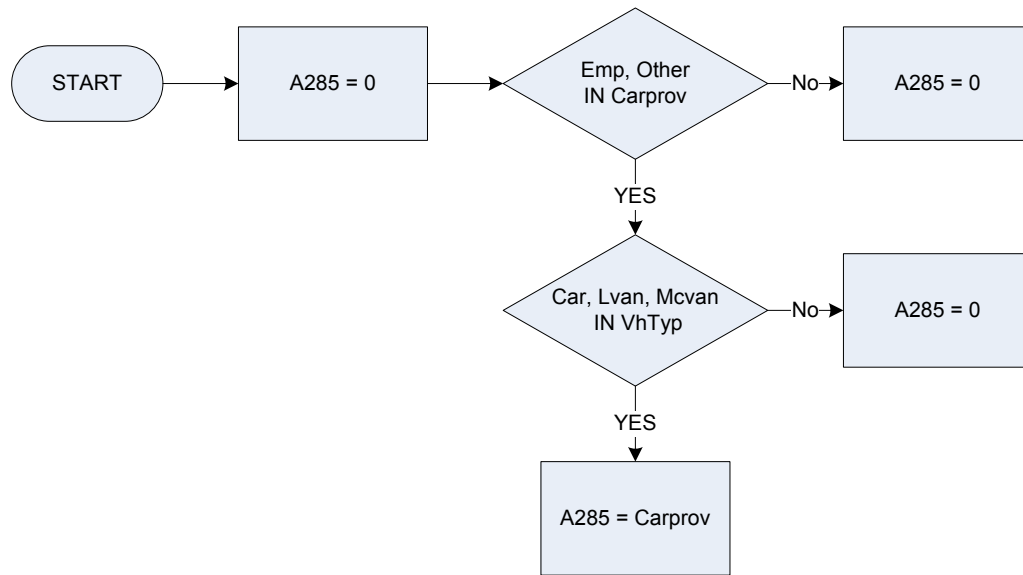
#### A279

Statutory sick pay - receiving at present  
**0** Not applicable  
**1** Receiving at present

#### INCLUS

Did the respondent's last wage/salary include any of these items?  
**StatSick** Statutory Sick Pay  
**MatStat** Statutory Maternity Pay  
**PatStat** Statutory Paternity Pay  
**AdopStat** Statutory Adoption Pay  
**TaxRefnd** Income Tax Refund  
**MileAllw** Mileage Allowance or fixed allowance for motoring  
**MotExpen** Motoring Expenses Refund  
**None** None of these

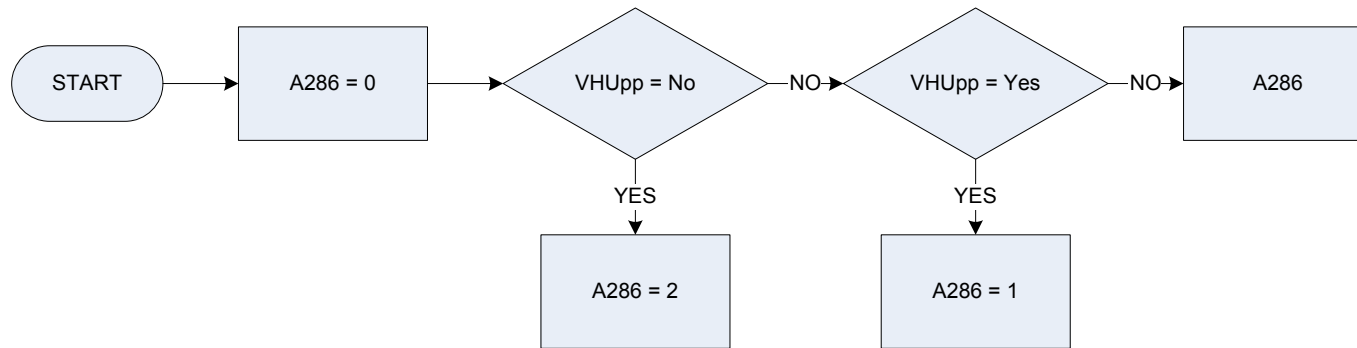
## A285 – Company car/van provided by employer



### KEY

<b>A285</b>	Company car van provided by employer <b>0</b> Not recorded <b>1</b> Employer sp.employer <b>2</b> Other
<b>Carprov</b>	Is this vehicle provided for the respondent's continuous use by: their employer or spouse's employer; or someone else? <b>Emp</b> their employer or spouse's employer; <b>Other</b> someone else
<b>VhTyp</b>	Was the respondent's vehicle <b>car</b> a car <b>lvan</b> a light van <b>mcycle</b> a motor cycle <b>mcvan</b> a motor caravan <b>other</b> or some other motor vehicle?
<b>Person</b>	Who sold/owns/uses this vehicle?

## A286 – Company provided petrol for private use



### KEY

#### A286

Company provided petrol for private use

**0** Not recorded

**1** Petrol provided

**2** Petrol not provided

#### Person

#### VHUp

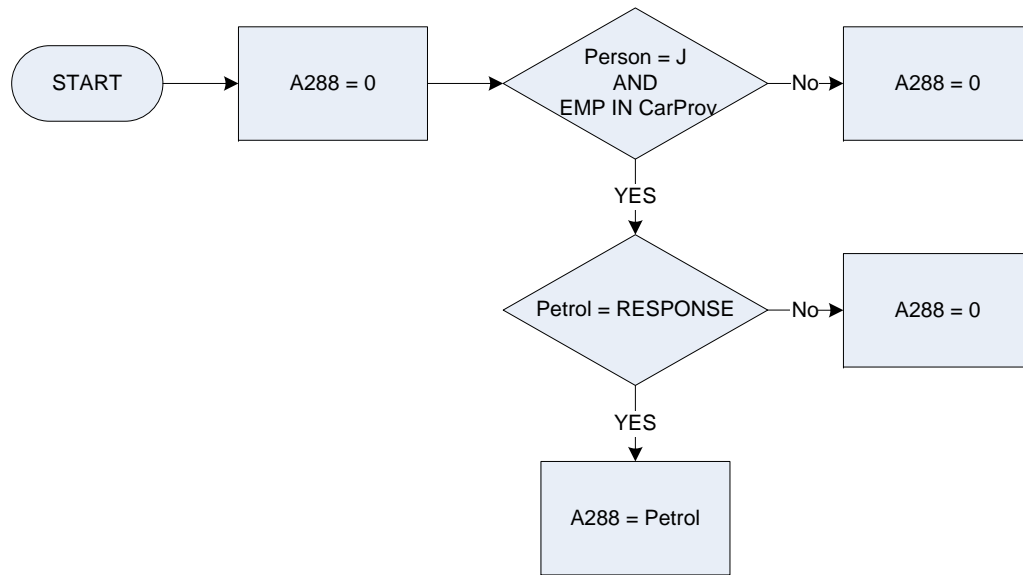
Who sold/owns/uses this vehicle?

Does an employer pay for any of the fuel for your private motoring in this vehicle?

**1** Yes

**2** No

## A288 – Type of fuel for company owned vehicles



### KEY

#### A288

Type of fuel for company owned vehicles

- 0 Not recorded
- 1 Petrol-company car
- 2 Diesel-company car
- 3 Liquefied petroleum gas (LPG)
- 4 Biofuel e.g. E85 fuel
- 5 Hybrid (use a combination of petrol and electricity)
- 6 Electricity
- 7 or something else

#### Person CarProv

Who sold/owns/uses this vehicle?

Is this vehicle provided for the respondent's continuous use by: their employer or spouse's employer; or someone else?

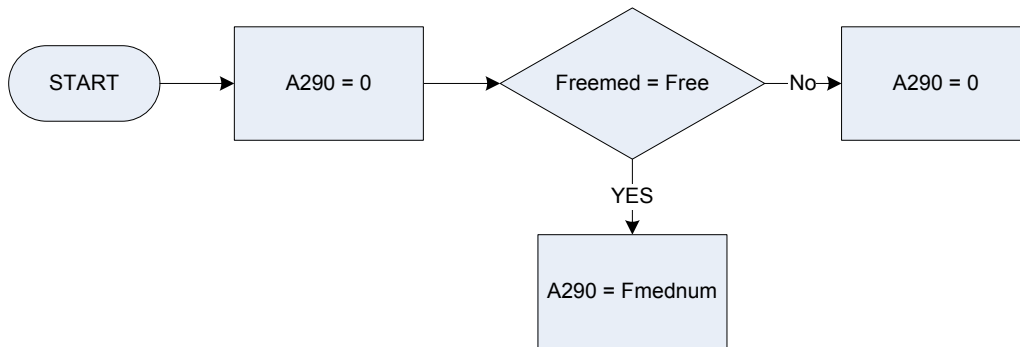
- Emp** their employer or spouse's employer
- Other** or someone else?

#### Petrol

Does the vehicle run on:

- 1 Petrol
- 2 Diesel
- 3 Liquefied petroleum gas (LPG)
- 4 Biofuel e.g. E85 fuel
- 5 Hybrid (use a combination of petrol and electricity)
- 6 Electricity
- 7 Or something else?

## A290 – Number of persons receiving free medical insurance

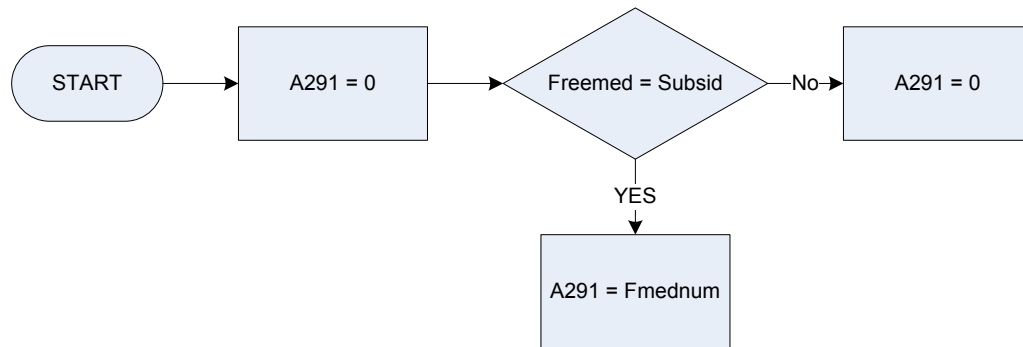


### KEY

**Freemed** Does the respondent's employer provide or pay for any free or subsidised medical insurance?  
*Free* Free Medical insurance  
*Subsid* Subsidised medical insurance  
*Neither* Neither

**Fmednum** How many people (adults and children) in the household does it cover?

## A291 – Number of persons receiving subsidised medical insurance

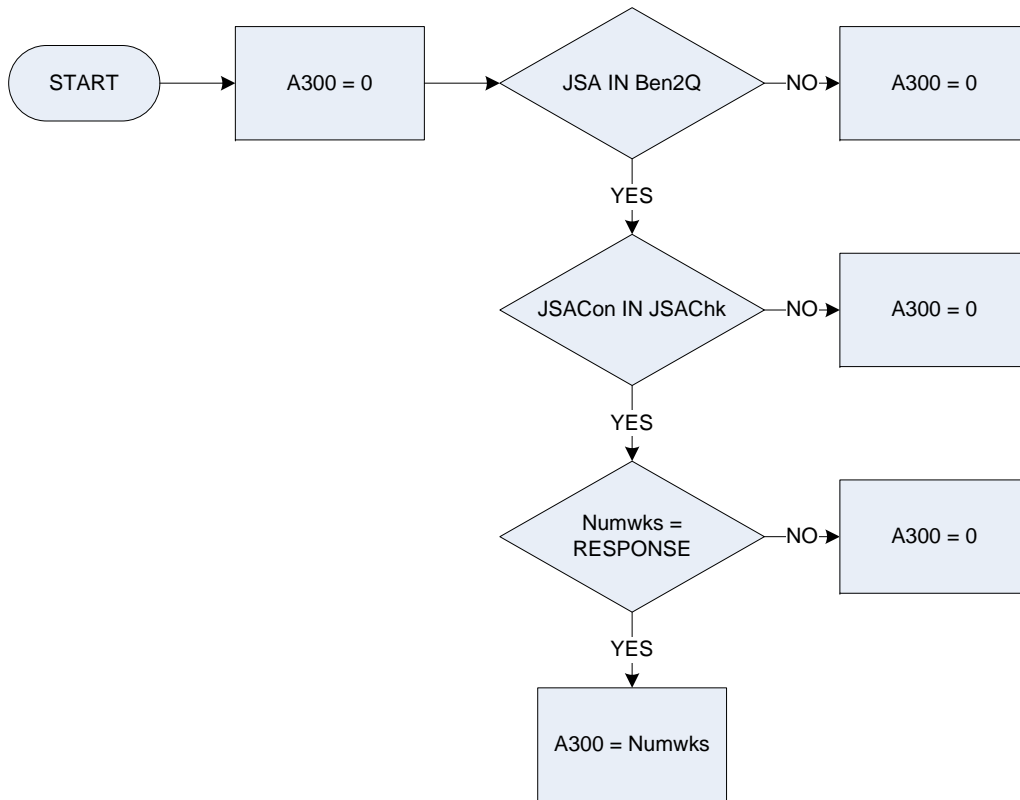


### KEY

<b>Freemed</b>	Does the respondent's employer provide or pay for any free or subsidised medical insurance?
<b>Free</b>	<i>Free Medical insurance</i>
<b>Subsid</b>	<i>Subsidised medical insurance</i>
<b>Neither</b>	<i>Neither</i>
<b>Fmednum</b>	How many people (adults and children) in the household does it cover?



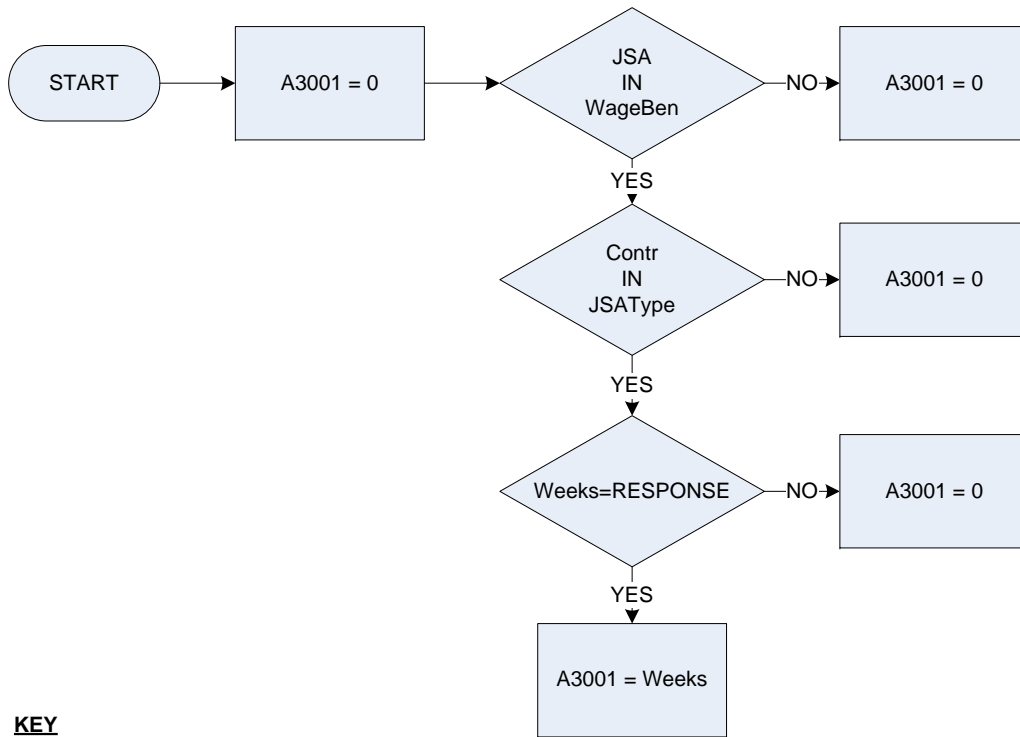
## A300 – Jobseeker’s Allowance (contribution based) - number of weeks received (for cases January - June 2013)



### KEY

<b>Ben2Q</b>	Is the respondent, at present receiving any of these benefits in their own right - that is, where they are the named recipient? <b>JSA</b> <i>Jobseeker's Allowance(JSA)</i> <b>PC</b> <i>Pension Credit</i> <b>IncSupp</b> <i>Income Support</i> <b>IncapBen</b> <i>Incapacity Benefit</i> <b>ESA</b> <i>Employment and Support Allowance</i> <b>MatAllw</b> <i>Maternity Allowance</i> <b>IndDisab</b> <i>Industrial Injury Disablement Benefit</i> <b>None</b> <i>None of these</i>
<b>JSAChk</b>	There are two types of Jobseeker's Allowance. Is the Allowance the respondent has received: <b>JSACon</b> <i>Contributory, that is based on your N.I. contributions,</i> <b>JSAIB</b> <i>Income-based, that is based on an assessment of your income?</i>
<b>NumWks</b>	Number of weeks in last 12 months respondent received Jobseeker's Allowance

## A3001 – Jobseeker’s Allowance (contribution based) – time received (for cases from July 2013)



### KEY

#### JSAType

There are two types of Jobseeker's Allowance. Is the Allowance the respondent has received:

- Contr**     *Contributory, that is based on their N.I. contributions,*
- Incom**    *Income-related, which is based on an assessment of their income?*
- Comb**     *A combination of 'contributory' and 'income related'?*

#### WageBen

Is the respondent at present receiving any of these benefits in their own right, that is where they are the named recipient?

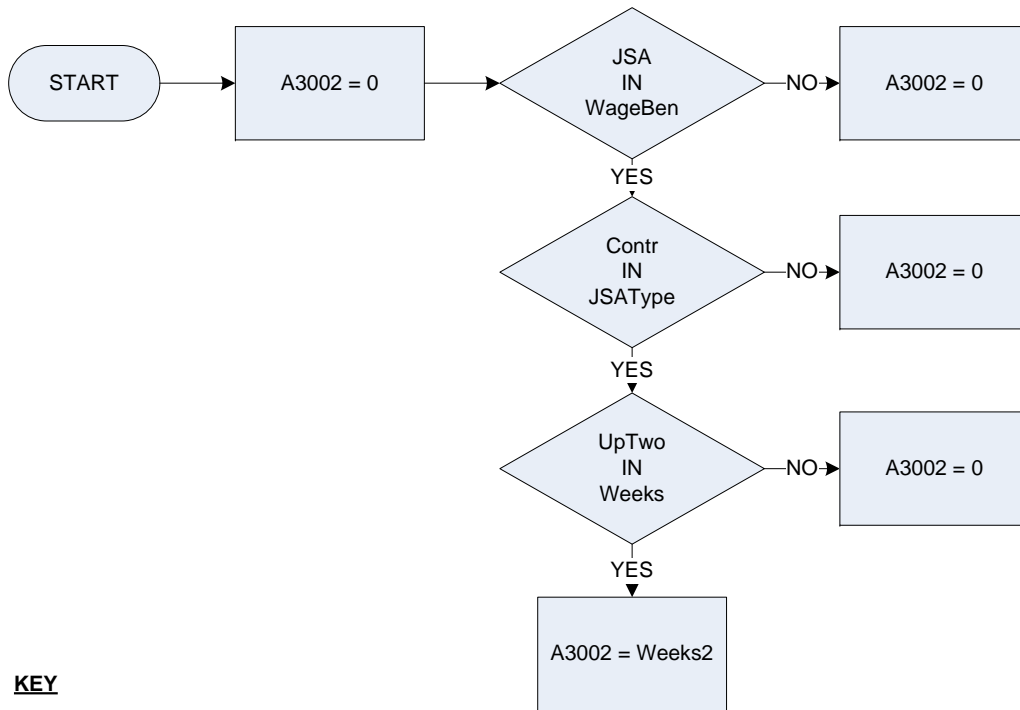
- UniCred**   *Universal Credit*
- HousBen**   *Housing Benefit*
- WTC**      *Working Tax Credit (excluding any childcare element of Working Tax Credit)*
- CTC**      *Child Tax Credit (including any childcare element of Working Tax Credit)*
- IncSupp**   *Income Support*
- JSA**      *Jobseeker's Allowance*
- ESA**      *Employment and Support Allowance*
- CareAll**   *Carer's Allowance*
- None**     *None of these*

#### Weeks

For how long has the respondent been on this benefit?

- 1**        *Up to 2 years*
- 2**        *2 years but less than 3*
- 3**        *3 years but less than 4*
- 4**        *4 years but less than 5*
- 5**        *5 or more years*

**A3002 – Jobseeker’s Allowance (contribution based) - number of weeks received (up to 2 years) (for cases from July 2013)**



**KEY**

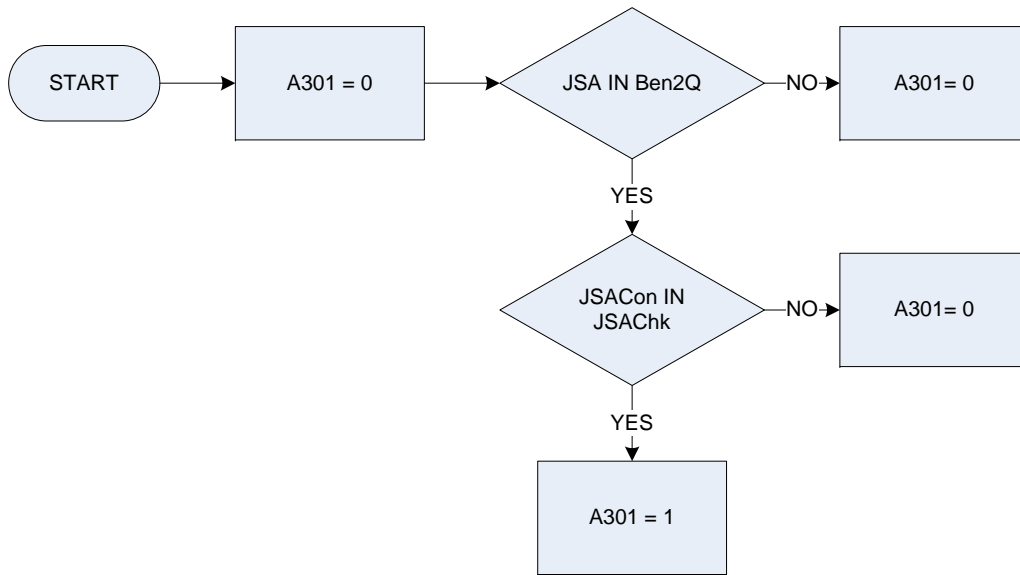
**JSAType** There are two types of Jobseeker's Allowance. Is the Allowance the respondent has received:  
**Contr** Contributory, that is based on their N.I. contributions,  
**Incom** Income-related, which is based on an assessment of their income?  
**Comb** A combination of 'contributory' and 'income related'?

**WageBen** Is the respondent at present receiving any of these benefits in their own right, that is where they are the named recipient?  
**UniCred** Universal Credit  
**HousBen** Housing Benefit  
**WTC** Working Tax Credit (excluding any childcare element of Working Tax Credit)  
**CTC** Child Tax Credit (including any childcare element of Working Tax Credit)  
**IncSupp** Income Support  
**JSA** Jobseeker's Allowance  
**ESA** Employment and Support Allowance  
**CareAll** Carer's Allowance  
**None** None of these

**Weeks** For how long has the respondent been on this benefit?  
**UpTwo** Up to 2 years  
**LesThre** 2 years but less than 3  
**LesFour** 3 years but less than 4  
**LesFiv** 4 years but less than 5  
**MoreFiv** 5 or more years

**Weeks2** For how many weeks has the respondent been on this benefit?

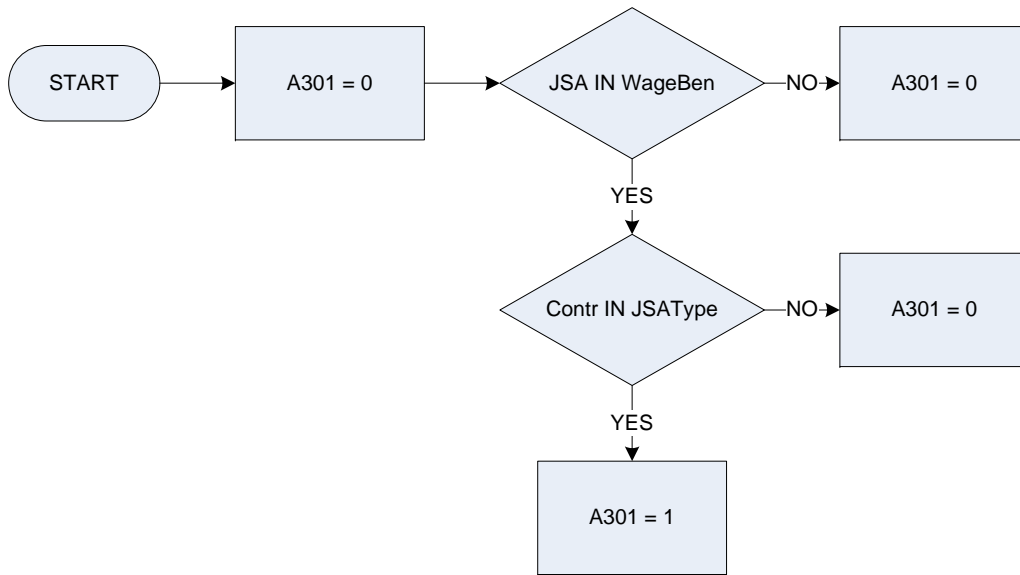
**A301 – Jobseeker’s Allowance (contribution based) - receiving at present (for cases January - June 2013)**



**KEY**

<b>A301</b>	JSA (contribution based) receiving at present
<b>0</b>	<i>Not applicable</i>
<b>1</b>	<i>Receiving at present</i>
<b>Ben2Q</b>	Is the respondent, at present receiving any of these benefits in their own right - that is, where they are the named recipient?
<b>JSA</b>	<i>Jobseeker's Allowance (JSA)</i>
<b>PC</b>	<i>Pension Credit</i>
<b>IncSupp</b>	<i>Income Support</i>
<b>IncapBen</b>	<i>Incapacity Benefit</i>
<b>ESA</b>	<i>Employment and Support Allowance</i>
<b>MatAllw</b>	<i>Maternity Allowance</i>
<b>IndDisab</b>	<i>Industrial Injury Disablement Benefit</i>
<b>None</b>	<i>None of these</i>
<b>JSAChk</b>	There are two types of Jobseeker's Allowance. Is the Allowance the respondent has received:
<b>JSACon</b>	<i>Contributory, that is based on your N.I. contributions,</i>
<b>JSAIB</b>	<i>Income-based, that is based on an assessment of your income?</i>

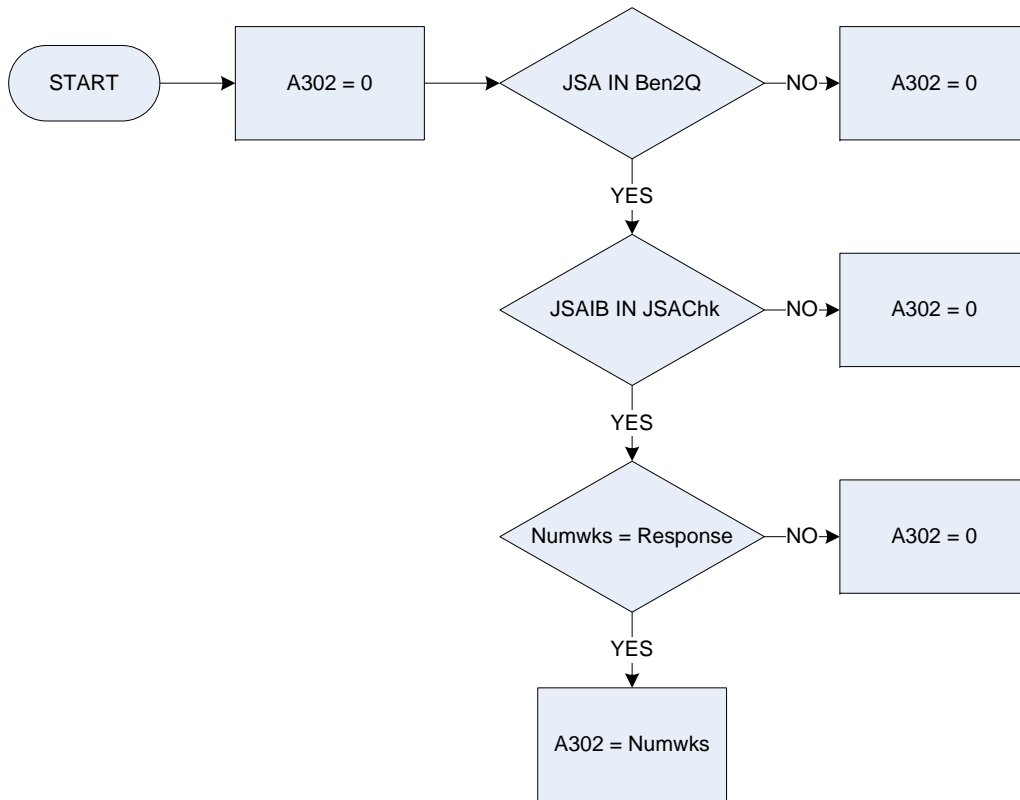
## A301 – Jobseeker’s Allowance (contribution based) – receiving at present (for cases from July 2013)



### KEY

<b>A301</b>	JSA (contribution based) - receiving at present <b>0</b> <i>Not applicable</i> <b>1</b> <i>Receiving at present</i>
<b>WageBen</b>	Is the respondent at present receiving any of these state benefits in their own right, that is where they are the named recipient? <b>UniCred</b> <i>Universal Credit</i> <b>HousBen</b> <i>Housing Benefit</i> <b>WTC</b> <i>Working Tax Credit (excluding any childcare element of Working Tax Credit)</i> <b>CTC</b> <i>Child Tax Credit (including any childcare element of Working Tax Credit)</i> <b>IncSupp</b> <i>Income Support</i> <b>JSA</b> <i>Jobseeker's Allowance</i> <b>ESA</b> <i>Employment and Support Allowance</i> <b>CareAll</b> <i>Carer's Allowance</i> <b>None</b> <i>None of these</i>
<b>JSAType</b>	There are two types of Jobseeker's Allowance. Is the Allowance the respondent has received: <b>Contr</b> <i>Contributory, that is based on their N.I. contributions,</i> <b>Incom</b> <i>Income-related, which is based on an assessment of their income?</i> <b>Comb</b> <i>A combination of 'contributory' and 'income related'?</i>

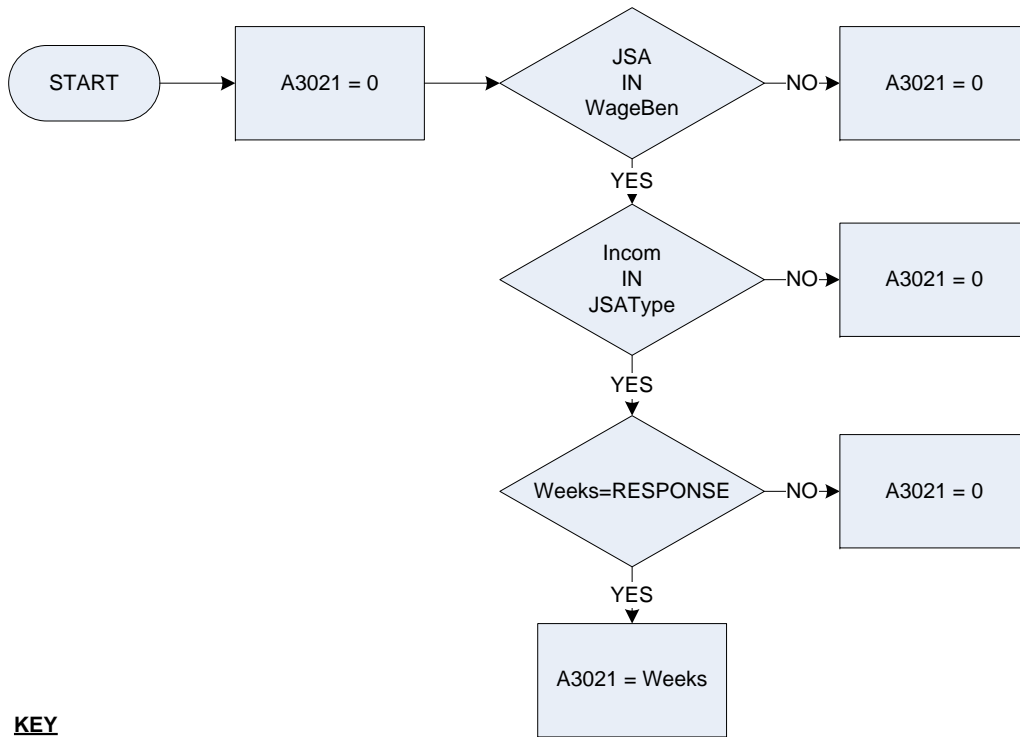
## A302 – Jobseeker’s Allowance (income based) - number of weeks received (for cases January - June 2013)



### KEY

<b>Ben2Q</b>	Is the respondent, at present receiving any of these benefits in their own right - that is, where they are the named recipient?
<b>JSA</b>	<i>"Jobseeker's Allowance (JSA)"</i>
<b>PC</b>	<i>"Pension Credit"</i>
<b>IncSupp</b>	<i>"Income Support"</i>
<b>IncapBen</b>	<i>"Incapacity Benefit"</i>
<b>ESA</b>	<i>"Employment and Support Allowance"</i>
<b>MatAllw</b>	<i>"Maternity Allowance"</i>
<b>IndDisab</b>	<i>"Industrial Injury Disablement Benefit"</i>
<b>None</b>	<i>"None of these"</i>
<b>JSACHk</b>	There are two types of Jobseeker's Allowance. Is the Allowance the respondent has received:
<b>JSACon</b>	<i>"Contributory, that is based on your N.I. contributions"</i>
<b>JSAIB</b>	<i>"Income-based, that is based on an assessment of your income?"</i>
<b>NumWks</b>	Number of weeks in last 12 months respondent received Jobseeker's Allowance

## A3021 – Jobseeker’s Allowance (income based) – time received (for cases from July 2013)



### KEY

#### JSAType

There are two types of Jobseeker's Allowance. Is the Allowance the respondent has received:

- Contr**     *Contributory, that is based on their N.I. contributions,*
- Incom**    *Income-related, which is based on an assessment of their income?*
- Comb**     *A combination of 'contributory' and 'income related'?*

#### WageBen

Is the respondent at present receiving any of these benefits in their own right, that is where they are the named recipient?

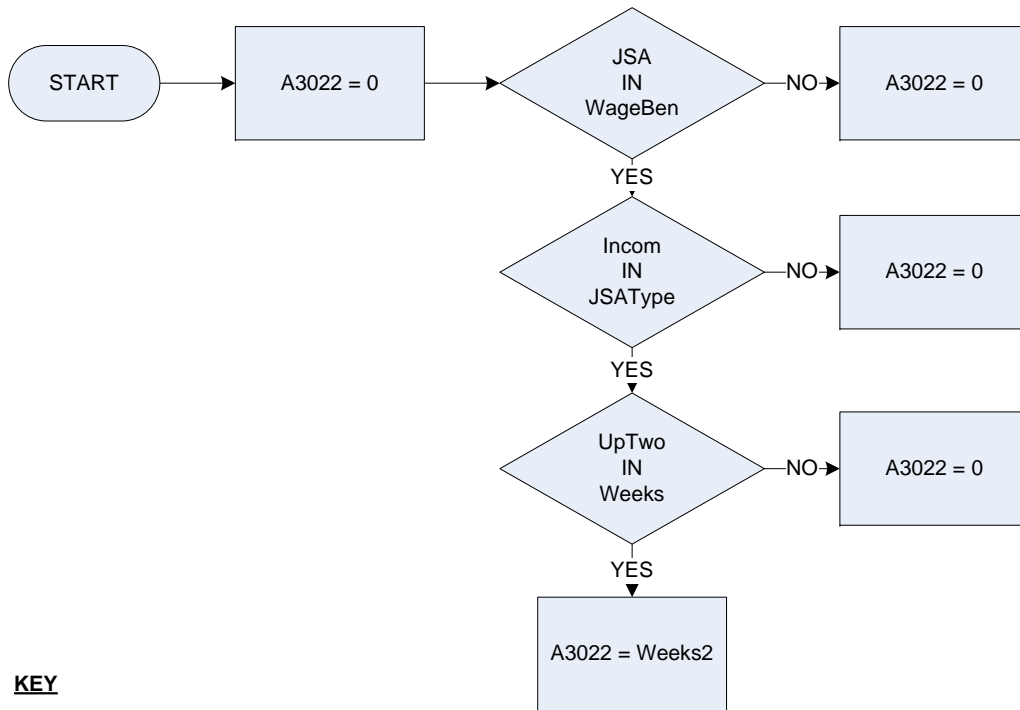
- UniCred**   *Universal Credit*
- HousBen**   *Housing Benefit*
- WTC**       *Working Tax Credit (excluding any childcare element of Working Tax Credit)*
- CTC**       *Child Tax Credit (including any childcare element of Working Tax Credit)*
- IncSupp**   *Income Support*
- JSA**       *Jobseeker's Allowance*
- ESA**       *Employment and Support Allowance*
- CareAll**   *Carer's Allowance*
- None**      *None of these*

#### Weeks

For how long has the respondent been on this benefit?

- 1**          *Up to 2 years*
- 2**          *2 years but less than 3*
- 3**          *3 years but less than 4*
- 4**          *4 years but less than 5*
- 5**          *5 or more years*

**A3022 – Jobseeker’s Allowance (income based) - number of weeks received (up to 2 years) (for cases from July 2013)**



**KEY**

**JSAType** There are two types of Jobseeker's Allowance. Is the Allowance the respondent has received:  
**Contr** Contributory, that is based on their N.I. contributions,  
**Incom** Income-related, which is based on an assessment of their income?  
**Comb** A combination of 'contributory' and 'income related'?

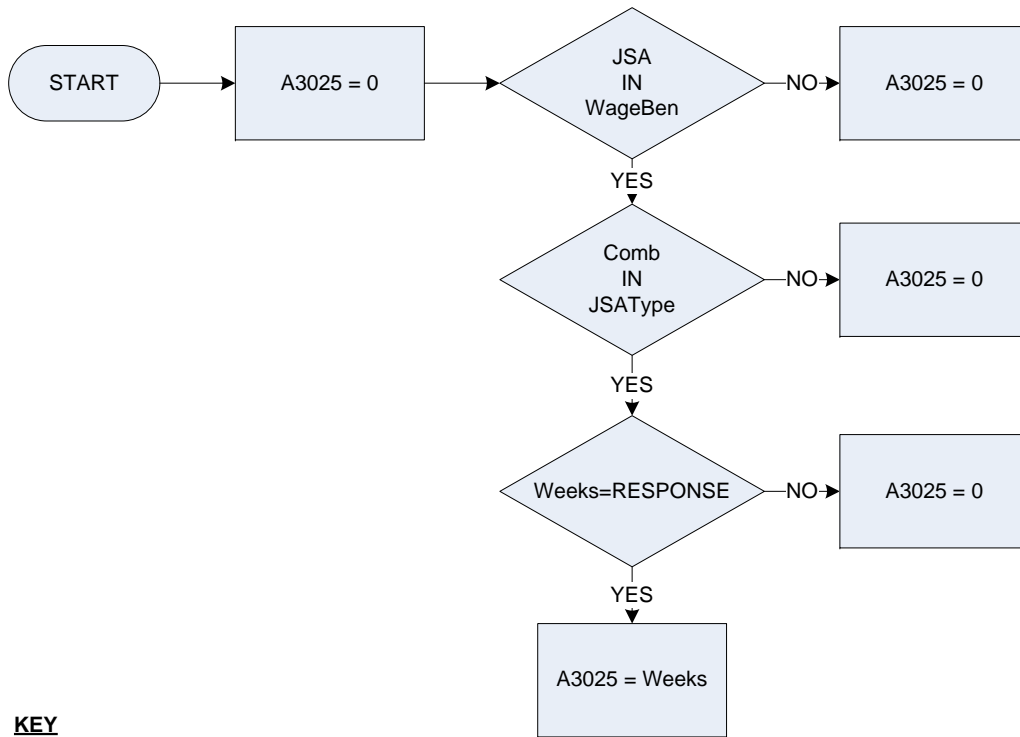
**WageBen** Is the respondent at present receiving any of these benefits in their own right, that is where they are the named recipient?  
**UniCred** Universal Credit  
**HousBen** Housing Benefit  
**WTC** Working Tax Credit (excluding any childcare element of Working Tax Credit)  
**CTC** Child Tax Credit (including any childcare element of Working Tax Credit)  
**IncSupp** Income Support  
**JSA** Jobseeker's Allowance  
**ESA** Employment and Support Allowance  
**CareAll** Carer's Allowance  
**None** None of these

**Weeks** For how long has the respondent been on this benefit?  
**UpTwo** Up to 2 years  
**LesThre** 2 years but less than 3  
**LesFour** 3 years but less than 4  
**LesFiv** 4 years but less than 5  
**MoreFiv** 5 or more years

**Weeks2** For how many weeks has the respondent been on this benefit?



## A3025 – Jobseeker’s Allowance (combination of income and contribution based) – time received (for cases from July 2013)



### KEY

#### JSAType

There are two types of Jobseeker's Allowance. Is the Allowance the respondent has received:

- Contr**     *Contributory, that is based on their N.I. contributions,*
- Incom**    *Income-related, which is based on an assessment of their income?*
- Comb**     *A combination of 'contributory' and 'income related'?*

#### WageBen

Is the respondent at present receiving any of these benefits in their own right, that is where they are the named recipient?

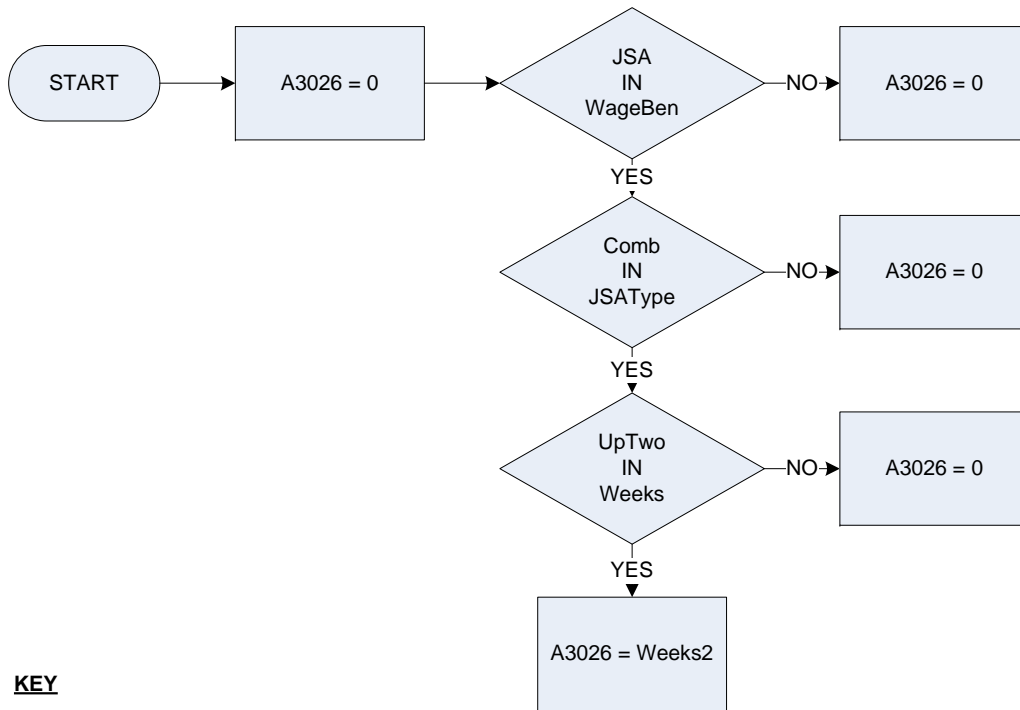
- UniCred**   *Universal Credit*
- HousBen**   *Housing Benefit*
- WTC**      *Working Tax Credit (excluding any childcare element of Working Tax Credit)*
- CTC**      *Child Tax Credit (including any childcare element of Working Tax Credit)*
- IncSupp**   *Income Support*
- JSA**       *Jobseeker's Allowance*
- ESA**       *Employment and Support Allowance*
- CareAll**    *Carer's Allowance*
- None**      *None of these*

#### Weeks

For how long has the respondent been on this benefit?

- 1**         *Up to 2 years*
- 2**         *2 years but less than 3*
- 3**         *3 years but less than 4*
- 4**         *4 years but less than 5*
- 5**         *5 or more years*

**A3026 – Jobseeker’s Allowance (combination of income and contribution based) - number of weeks received (up to 2 years)  
(for cases from July 2013)**



**KEY**

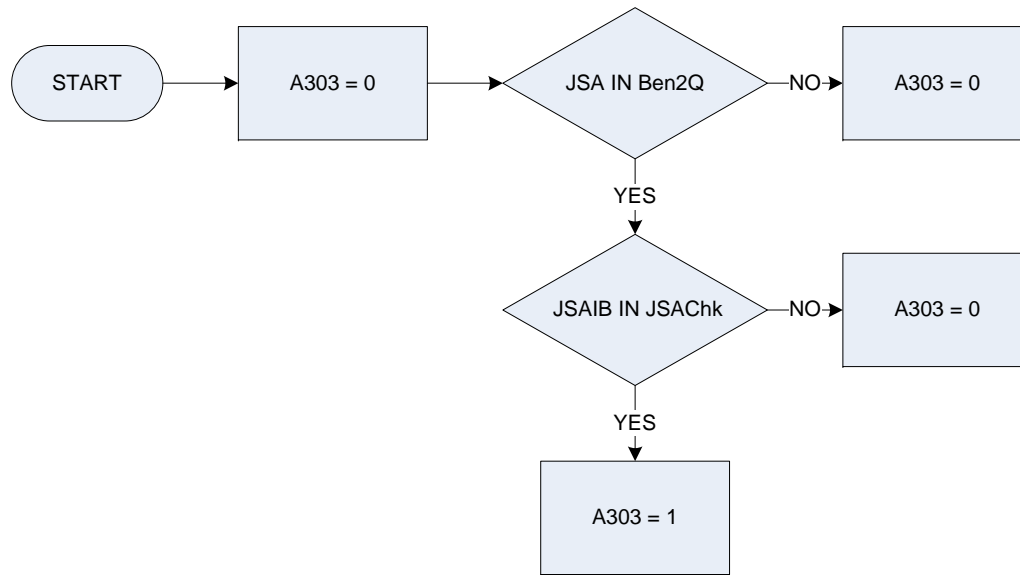
**JSAType** There are two types of Jobseeker's Allowance. Is the Allowance the respondent has received:  
**Contr** Contributory, that is based on their N.I. contributions,  
**Incom** Income-related, which is based on an assessment of their income?  
**Comb** A combination of 'contributory' and 'income related'?

**WageBen** Is the respondent at present receiving any of these benefits in their own right, that is where they are the named recipient?  
**UniCred** Universal Credit  
**HousBen** Housing Benefit  
**WTC** Working Tax Credit (excluding any childcare element of Working Tax Credit)  
**CTC** Child Tax Credit (including any childcare element of Working Tax Credit)  
**IncSupp** Income Support  
**JSA** Jobseeker's Allowance  
**ESA** Employment and Support Allowance  
**CareAll** Carer's Allowance  
**None** None of these

**Weeks** For how long has the respondent been on this benefit?  
**UpTwo** Up to 2 years  
**LesThre** 2 years but less than 3  
**LesFour** 3 years but less than 4  
**LesFiv** 4 years but less than 5  
**MoreFiv** 5 or more years

**Weeks2** For how many weeks has the respondent been on this benefit?

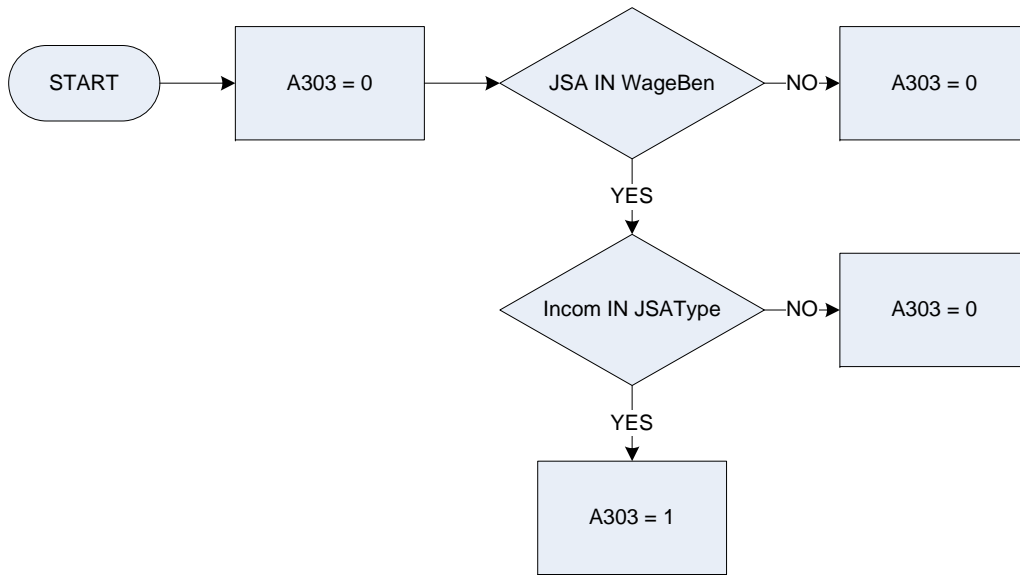
## A303 – Jobseeker’s Allowance (income based) – receiving at present (for cases January - June 2013)



### KEY

<b>A303</b>	JSA(income based) - receiving at present <b>0</b> <i>Not applicable</i> <b>1</b> <i>Receiving at present</i>
<b>Ben2Q</b>	Is the respondent, at present receiving any of these benefits in their own right - that is, where they are the named recipient? <b>JSA</b> <i>Jobseeker's Allowance(JSA)</i> <b>PC</b> <i>Pension Credit</i> <b>IncSupp</b> <i>Income Support</i> <b>IncapBen</b> <i>Incapacity Benefit</i> <b>ESA</b> <i>Employment and Support Allowance</i> <b>MatAllw</b> <i>Maternity Allowance</i> <b>IndDisab</b> <i>Industrial Injury Disablement Benefit</i> <b>None</b> <i>None of these</i>
<b>JSACHk</b>	There are two types of Jobseeker's Allowance. Is the Allowance the respondent has received: <b>JSACon</b> <i>Contributory, that is based on your N.I. contributions,</i> <b>JSAIB</b> <i>Income-based, that is based on an assessment of your income?</i>
<b>NumWks</b>	Number of weeks in the last 12 months respondent received Jobseeker's Allowance

## A303 – Jobseeker’s Allowance (income based) – receiving at present (for cases from July 2013)



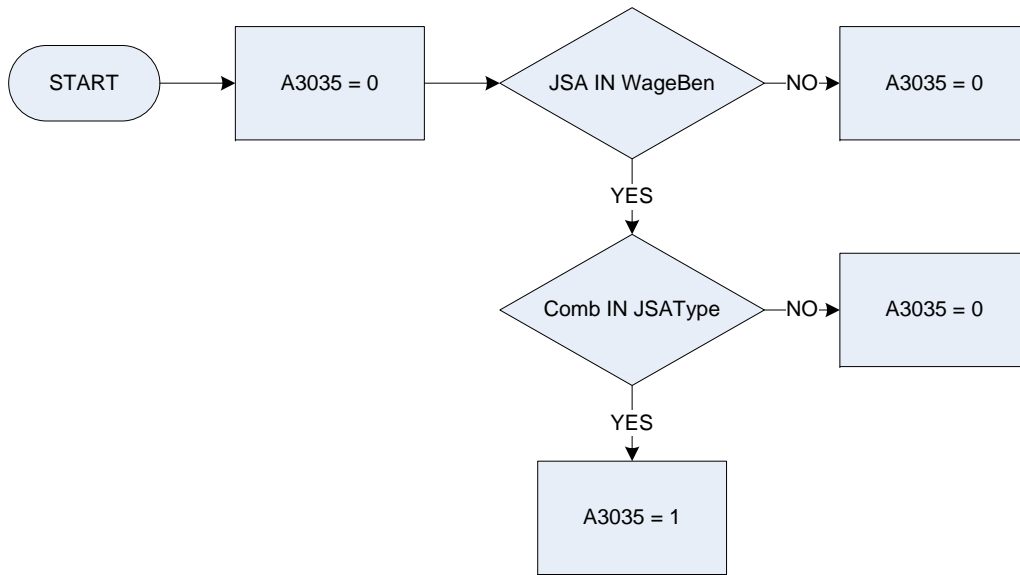
### KEY

**A303** JSA(income based) - receiving at present  
 0 Not applicable  
 1 Receiving at present

**WageBen** Is the respondent at present receiving any of these state benefits in their own right, that is where they are the named recipient?  
**UniCred** Universal Credit  
**HousBen** Housing Benefit  
**WTC** Working Tax Credit (excluding any childcare element of Working Tax Credit)  
**CTC** Child Tax Credit (including any childcare element of Working Tax Credit)  
**IncSupp** Income Support  
**JSA** Jobseeker's Allowance  
**ESA** Employment and Support Allowance  
**CareAll** Carer's Allowance  
**None** None of these

**JSAType** There are two types of Jobseeker's Allowance. Is the Allowance the respondent has received:  
**Contr** Contributory, that is based on their N.I. contributions,  
**Incom** Income-related, which is based on an assessment of their income?  
**Comb** A combination of 'contributory' and 'income related'?

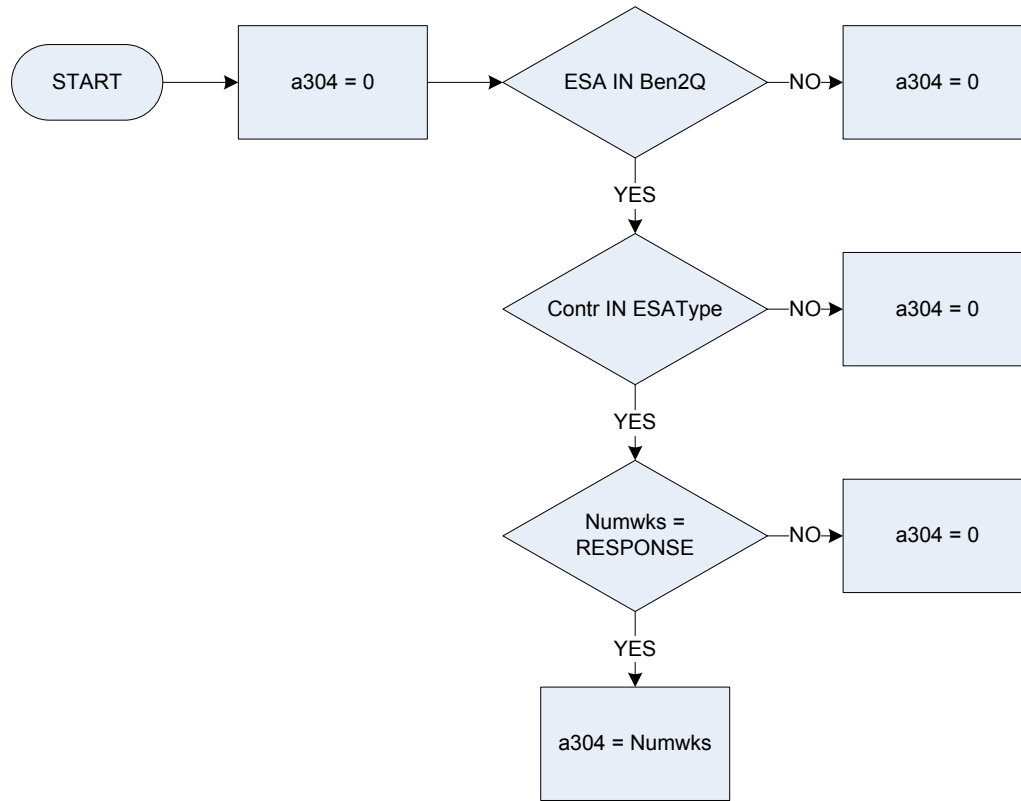
## A3035 – Jobseeker’s Allowance (combination of income and contribution based) – receiving at present (for cases from July 2013)



### KEY

- A3035** JSA (combination of income and contribution based) - receiving at present  
 0 Not applicable  
 1 Receiving at present
- WageBen** Is the respondent at present receiving any of these state benefits in their own right, that is where they are the named recipient?  
**UniCred** Universal Credit  
**HousBen** Housing Benefit  
**WTC** Working Tax Credit (excluding any childcare element of Working Tax Credit)  
**CTC** Child Tax Credit (including any childcare element of Working Tax Credit)  
**IncSupp** Income Support  
**JSA** Jobseeker's Allowance  
**ESA** Employment and Support Allowance  
**CareAll** Carer's Allowance  
**None** None of these
- JSAType** There are two types of Jobseeker's Allowance. Is the Allowance the respondent has received:  
**Contr** Contributory, that is based on their N.I. contributions,  
**Incom** Income-related, which is based on an assessment of their income?  
**Comb** A combination of 'contributory' and 'income related'?

## A304 – Employment and Support Allowance (contribution based) - number of weeks received (for cases January – June 2013)



### KEY

**Ben2Q** Is the respondent, at present receiving any of these benefits in their own right - that is, where they are the named recipient?

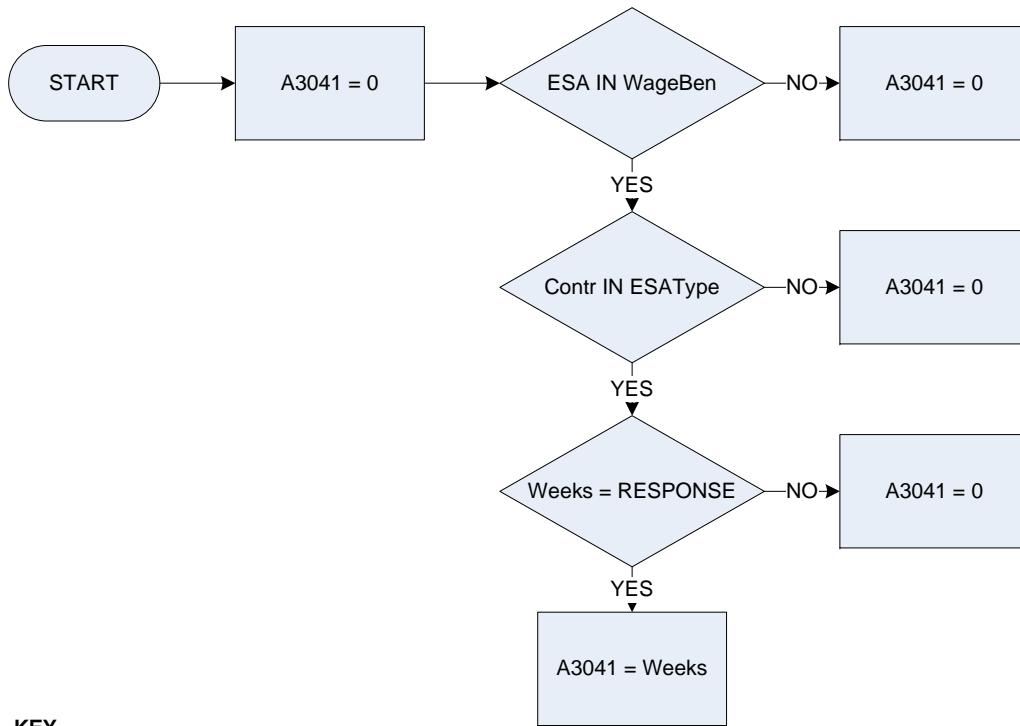
**JSA** Jobseeker's Allowance (JSA)  
**PC** Pension Credit  
**IncSupp** Income Support  
**IncapBen** Incapacity Benefit  
**ESA** Employment and Support Allowance (ESA)  
**MatAllw** Maternity Allowance  
**IndDisab** Industrial Injury Disablement Benefit  
**None** None of these

**ESAType** There are two types of Employment and Support Allowance. Is the Allowance the respondent has received:

**Contr** Contributory, that is based on your N.I. contributions,  
**Income** Income-based, that is based on an assessment of your income?

**NumWks** Number of weeks in last 12 months respondent received Jobseeker's Allowance

## A3041 – Employment and Support Allowance (contribution based) – time received (for cases from July 2013)



### KEY

#### ESAType

There are two types of Employment and Support Allowance. Is the Allowance the respondent has received:

- Contr** Contributory, that is based on their N.I. contributions,
- Incom** Income-related, which is based on an assessment of their income?
- Comb** A combination of 'contributory' and 'income related'?

#### WageBen

Is the respondent at present receiving any of these benefits in their own right, that is where they are the named recipient?

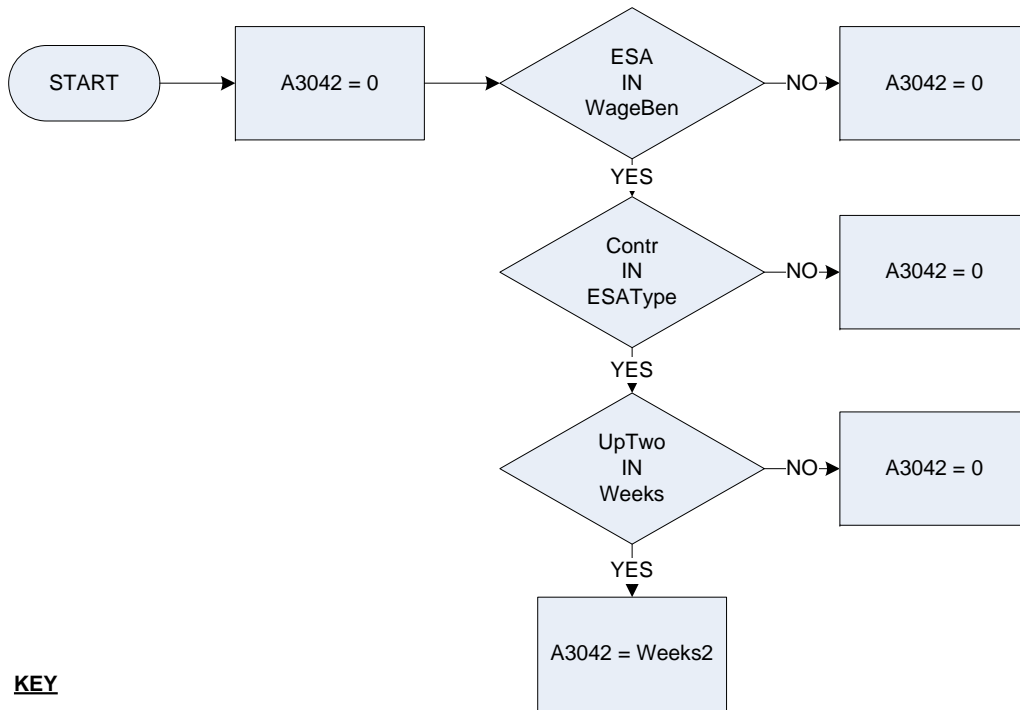
- UniCred** Universal Credit
- HousBen** Housing Benefit
- WTC** Working Tax Credit (excluding any childcare element of Working Tax Credit)
- CTC** Child Tax Credit (including any childcare element of Working Tax Credit)
- IncSupp** Income Support
- JSA** Jobseeker's Allowance
- ESA** Employment and Support Allowance
- CareAll** Carer's Allowance
- None** None of these

#### Weeks

For how long has the respondent been on this benefit?

- 1** Up to 2 years
- 2** 2 years but less than 3
- 3** 3 years but less than 4
- 4** 4 years but less than 5
- 5** 5 or more years

**A3042 – Employment and Support Allowance (contribution based) - number of weeks received (up to 2 years) (for cases from July 2013)**



**KEY**

**ESAType** There are two types of Jobseeker's Allowance. Is the Allowance the respondent has received:  
**Contr** Contributory, that is based on their N.I. contributions,  
**Incom** Income-related, which is based on an assessment of their income?  
**Comb** A combination of 'contributory' and 'income related'?

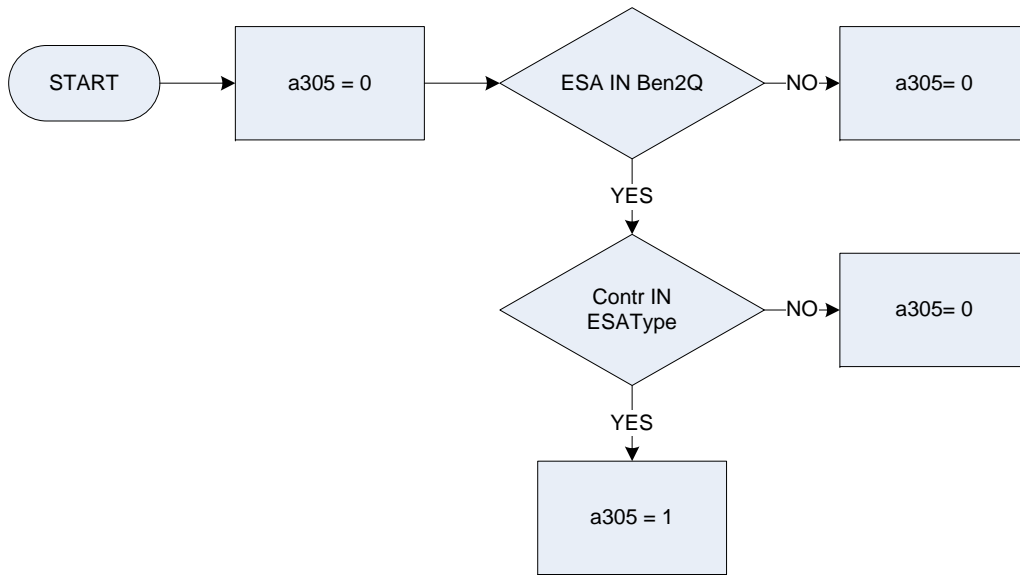
**WageBen** Is the respondent at present receiving any of these benefits in their own right, that is where they are the named recipient?  
**UniCred** Universal Credit  
**HousBen** Housing Benefit  
**WTC** Working Tax Credit (excluding any childcare element of Working Tax Credit)  
**CTC** Child Tax Credit (including any childcare element of Working Tax Credit)  
**IncSupp** Income Support  
**JSA** Jobseeker's Allowance  
**ESA** Employment and Support Allowance  
**CareAll** Carer's Allowance  
**None** None of these

**Weeks** For how long has the respondent been on this benefit?  
**UpTwo** Up to 2 years  
**LesThre** 2 years but less than 3  
**LesFour** 3 years but less than 4  
**LesFiv** 4 years but less than 5  
**MoreFiv** 5 or more years

**Weeks2** For how many weeks has the respondent been on this benefit?



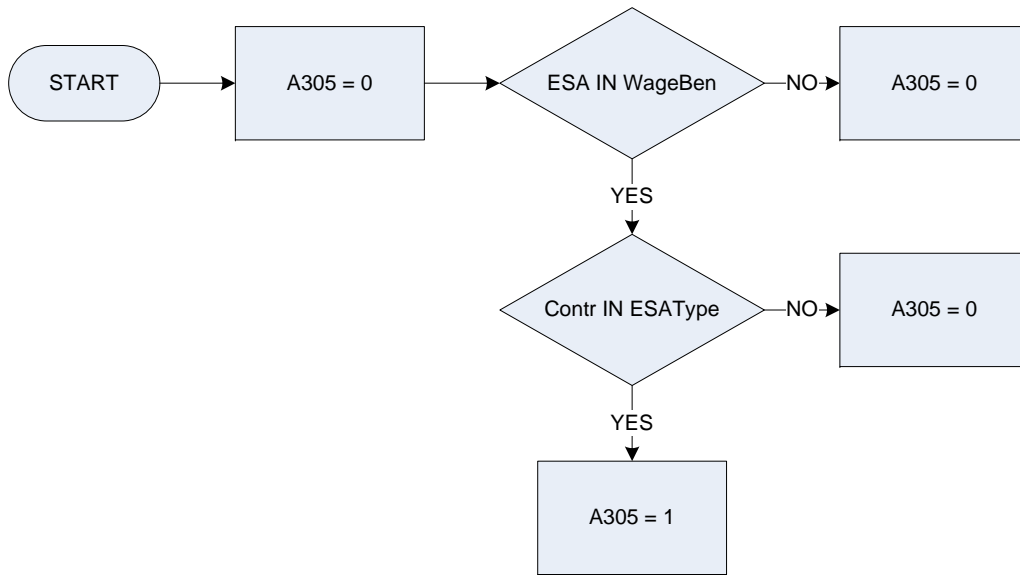
**A305 – Employment and Support Allowance (contribution based) - receiving at present (for cases January - June 2013)**



**KEY**

<b>a305</b>	ESA (contribution based) receiving at present <b>0</b> <i>Not applicable</i> <b>1</b> <i>Receiving at present</i>
<b>Ben2Q</b>	Is the respondent, at present receiving any of these benefits in their own right - that is, where they are the named recipient? <b>JSA</b> <i>Jobseeker's Allowance (JSA)</i> <b>PC</b> <i>Pension Credit</i> <b>IncSupp</b> <i>Income Support</i> <b>IncapBen</b> <i>Incapacity Benefit</i> <b>ESA</b> <i>Employment and Support Allowance (ESA)</i> <b>MatAllw</b> <i>Maternity Allowance</i> <b>IndDisab</b> <i>Industrial Injury Disablement Benefit</i> <b>None</b> <i>None of these</i>
<b>ESAType</b>	There are two types of Employment and Support Allowance. Is the Allowance the respondent has received: <b>Contr</b> <i>Contributory, that is based on your N.I. contributions,</i> <b>Income</b> <i>Income-based, that is based on an assessment of your income?</i>

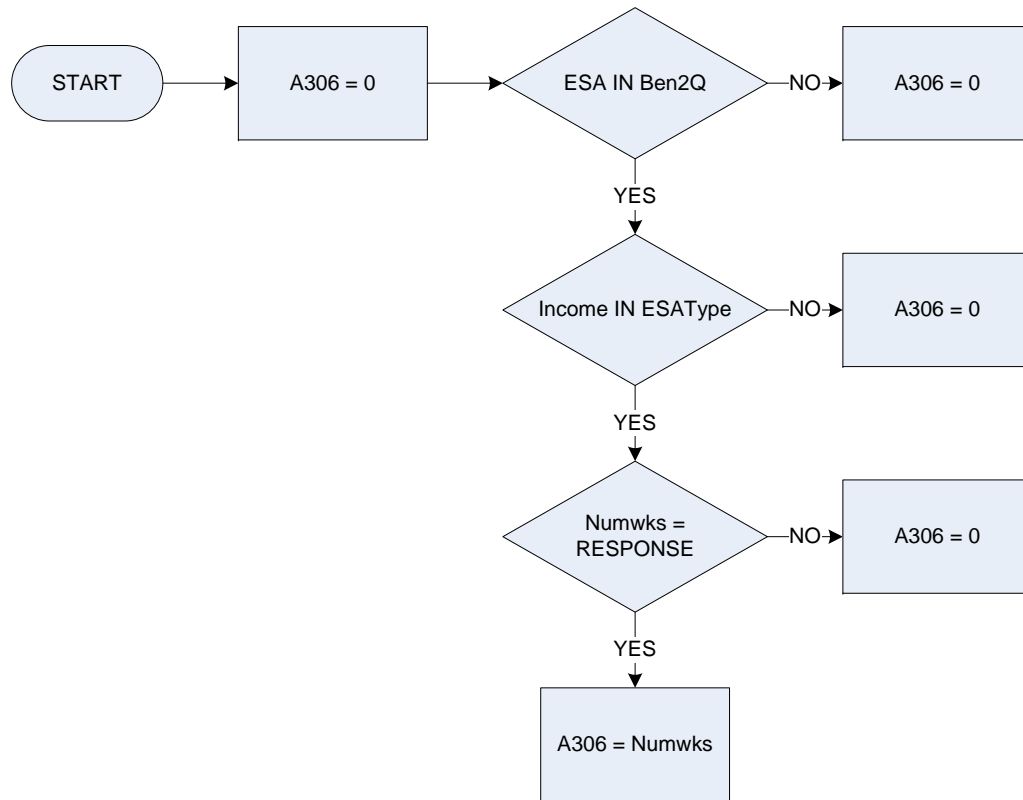
## A305 – Employment and Support Allowance (contribution based) – receiving at present (for cases from July 2013)



### KEY

- A305**            ESA(contribution based) - receiving at present  
**0**                *Not applicable*  
**1**                *Receiving at present*
- WageBen**        Is the respondent at present receiving any of these state benefits in their own right, that is where they are the named recipient?  
**UniCred**    *Universal Credit*  
**HousBen**    *Housing Benefit*  
**WTC**        *Working Tax Credit (excluding any childcare element of Working Tax Credit)*  
**CTC**        *Child Tax Credit (including any childcare element of Working Tax Credit)*  
**IncSupp**    *Income Support*  
**JSA**        *Jobseeker's Allowance*  
**ESA**        *Employment and Support Allowance*  
**CareAll**    *Carer's Allowance*  
**None**        *None of these*
- ESAType**        There are two types of Employment and Support Allowance. Is the Allowance the respondent has received:  
**Contr**        *Contributory, that is based on their N.I. contributions,*  
**Incom**        *Income-related, which is based on an assessment of their income?*  
**Comb**        *A combination of 'contributory' and 'income related'?*

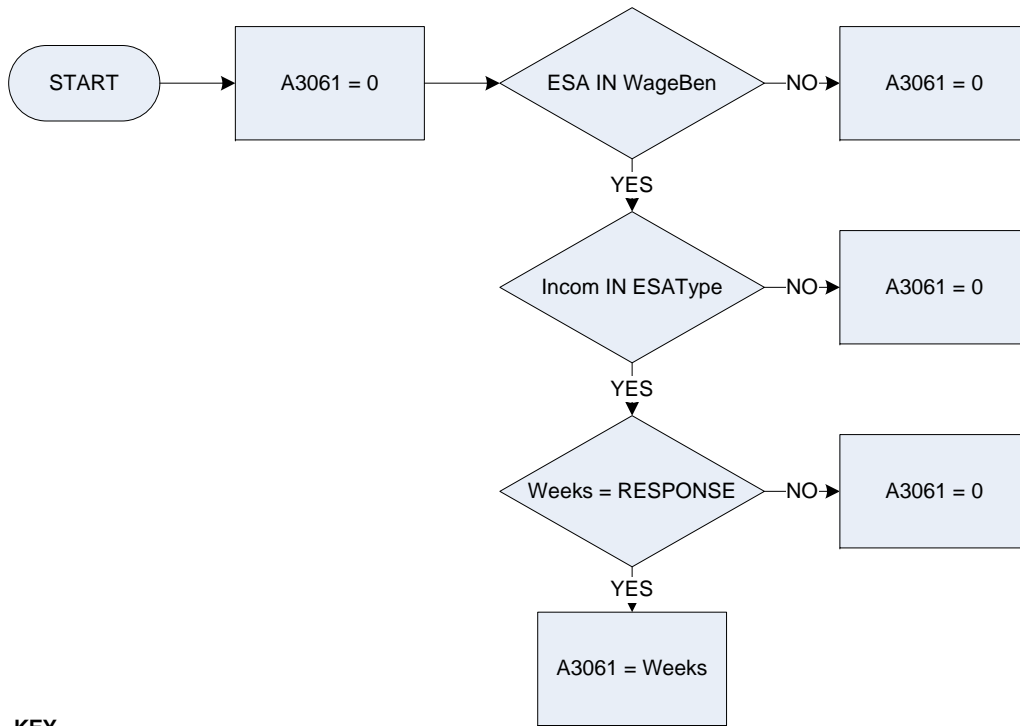
## A306 – Employment and Support Allowance (income based) - number of weeks received (for cases January - June 2013)



### KEY

<b>Ben2Q</b>	Is the respondent, at present receiving any of these benefits in their own right - that is, where they are the named recipient?
<b>JSA</b>	<i>Jobseeker's Allowance (JSA)</i>
<b>PC</b>	<i>Pension Credit</i>
<b>IncSupp</b>	<i>Income Support</i>
<b>IncapBen</b>	<i>Incapacity Benefit</i>
<b>ESA</b>	<i>Employment and Support Allowance (ESA)</i>
<b>MatAllw</b>	<i>Maternity Allowance</i>
<b>IndDisab</b>	<i>Industrial Injury Disablement Benefit</i>
<b>None</b>	<i>None of these</i>
<b>ESAType</b>	There are two types of Employment and Support Allowance. Is the Allowance the respondent has received:
<b>Contr</b>	<i>Contributory, that is based on your N.I. contributions,</i>
<b>Income</b>	<i>Income-based, that is based on an assessment of your income?</i>
<b>NumWks</b>	Number of weeks in last 12 months respondent received Employment and Support Allowance

## A3061 – Employment and Support Allowance (income based) – time received (for cases from July 2013)



### KEY

#### ESAType

There are two types of Employment and Support Allowance. Is the Allowance the respondent has received:

- Contr** Contributory, that is based on their N.I. contributions,
- Incom** Income-related, which is based on an assessment of their income?
- Comb** A combination of 'contributory' and 'income related'?

#### WageBen

Is the respondent at present receiving any of these benefits in their own right, that is where they are the named recipient?

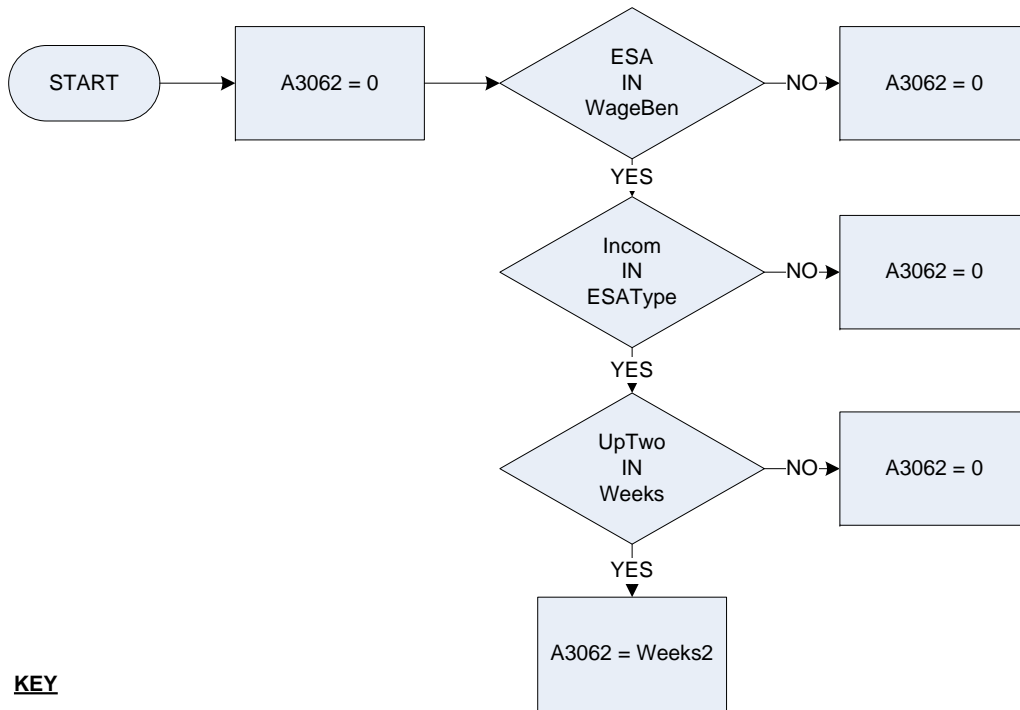
- UniCred** Universal Credit
- HousBen** Housing Benefit
- WTC** Working Tax Credit (excluding any childcare element of Working Tax Credit)
- CTC** Child Tax Credit (including any childcare element of Working Tax Credit)
- IncSupp** Income Support
- JSA** Jobseeker's Allowance
- ESA** Employment and Support Allowance
- CareAll** Carer's Allowance
- None** None of these

#### Weeks

For how long has the respondent been on this benefit?

- 1** Up to 2 years
- 2** 2 years but less than 3
- 3** 3 years but less than 4
- 4** 4 years but less than 5
- 5** 5 or more years

**A3062 – Employment and Support Allowance (income based) - number of weeks received (up to 2 years) (for cases from July 2013)**



**KEY**

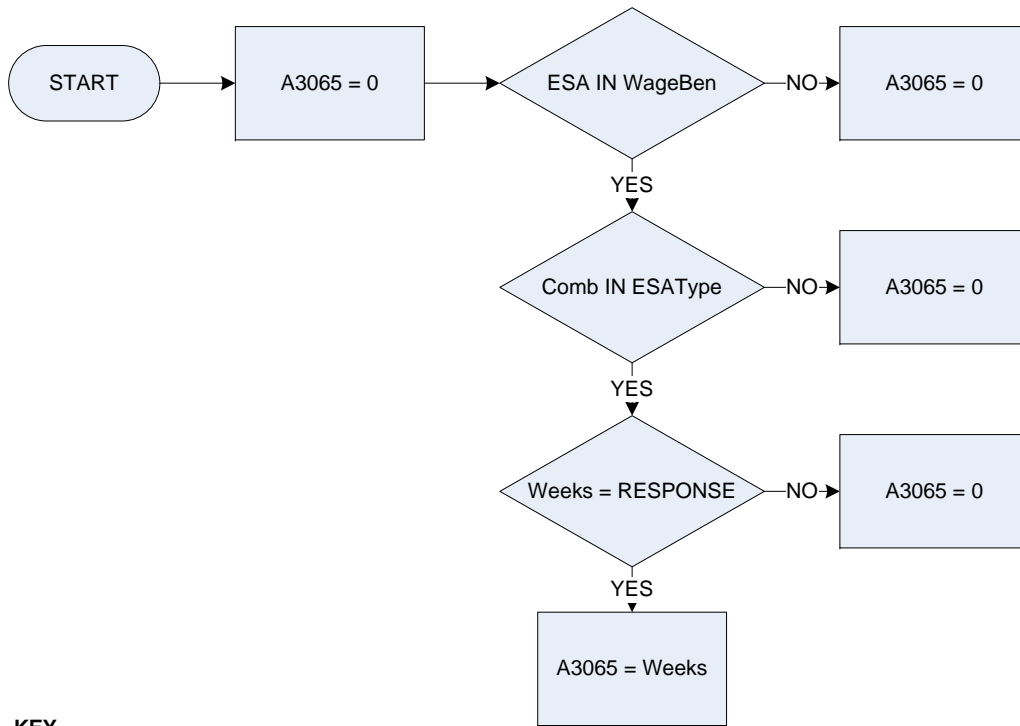
**ESAType** There are two types of Jobseeker's Allowance. Is the Allowance the respondent has received:  
**Contr** Contributory, that is based on their N.I. contributions,  
**Incom** Income-related, which is based on an assessment of their income?  
**Comb** A combination of 'contributory' and 'income related'?

**WageBen** Is the respondent at present receiving any of these benefits in their own right, that is where they are the named recipient?  
**UniCred** Universal Credit  
**HousBen** Housing Benefit  
**WTC** Working Tax Credit (excluding any childcare element of Working Tax Credit)  
**CTC** Child Tax Credit (including any childcare element of Working Tax Credit)  
**IncSupp** Income Support  
**JSA** Jobseeker's Allowance  
**ESA** Employment and Support Allowance  
**CareAll** Carer's Allowance  
**None** None of these

**Weeks** For how long has the respondent been on this benefit?  
**UpTwo** Up to 2 years  
**LesThre** 2 years but less than 3  
**LesFour** 3 years but less than 4  
**LesFiv** 4 years but less than 5  
**MoreFiv** 5 or more years

**Weeks2** For how many weeks has the respondent been on this benefit?

**A3065 – Employment and Support Allowance (combination of contribution and income based) – time received (for cases from July 2013)**



**KEY**

**ESAType** There are two types of Employment and Support Allowance. Is the Allowance the respondent has received:

- Contr** Contributory, that is based on their N.I. contributions,
- Incom** Income-related, which is based on an assessment of their income?
- Comb** A combination of 'contributory' and 'income related'?

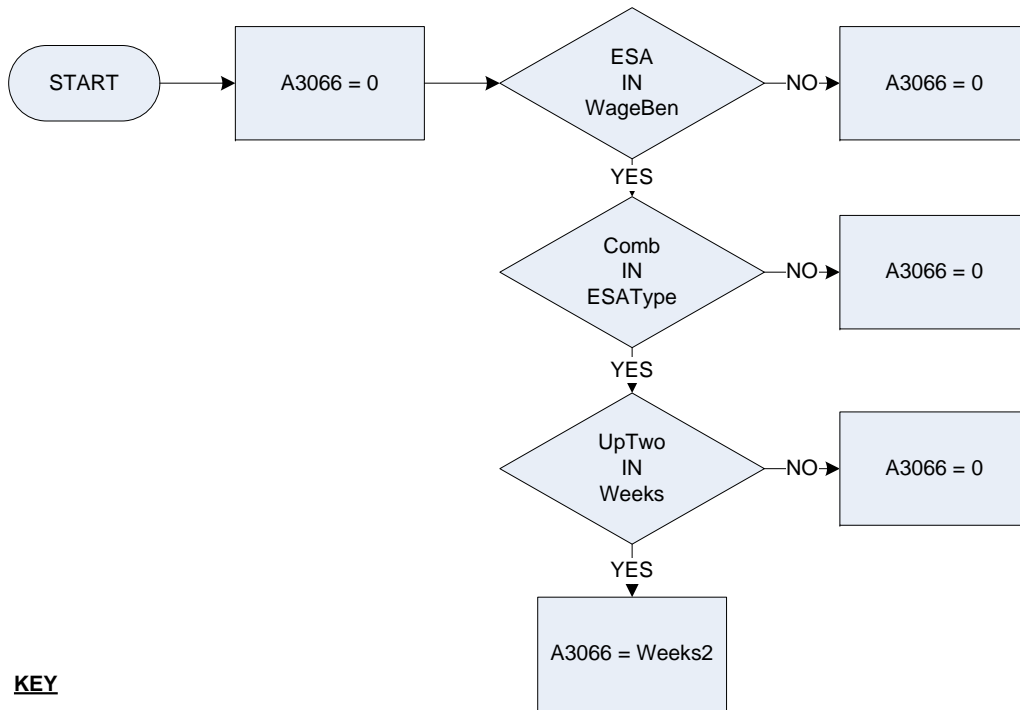
**WageBen** Is the respondent at present receiving any of these benefits in their own right, that is where they are the named recipient?

- UniCred** Universal Credit
- HousBen** Housing Benefit
- WTC** Working Tax Credit (excluding any childcare element of Working Tax Credit)
- CTC** Child Tax Credit (including any childcare element of Working Tax Credit)
- IncSupp** Income Support
- JSA** Jobseeker's Allowance
- ESA** Employment and Support Allowance
- CareAll** Carer's Allowance
- None** None of these

**Weeks** For how long has the respondent been on this benefit?

- 1** Up to 2 years
- 2** 2 years but less than 3
- 3** 3 years but less than 4
- 4** 4 years but less than 5
- 5** 5 or more years

**A3066 – Employment and Support Allowance (combination of contribution and income based) - number of weeks received (up to 2 years) (for cases from July 2013)**



**KEY**

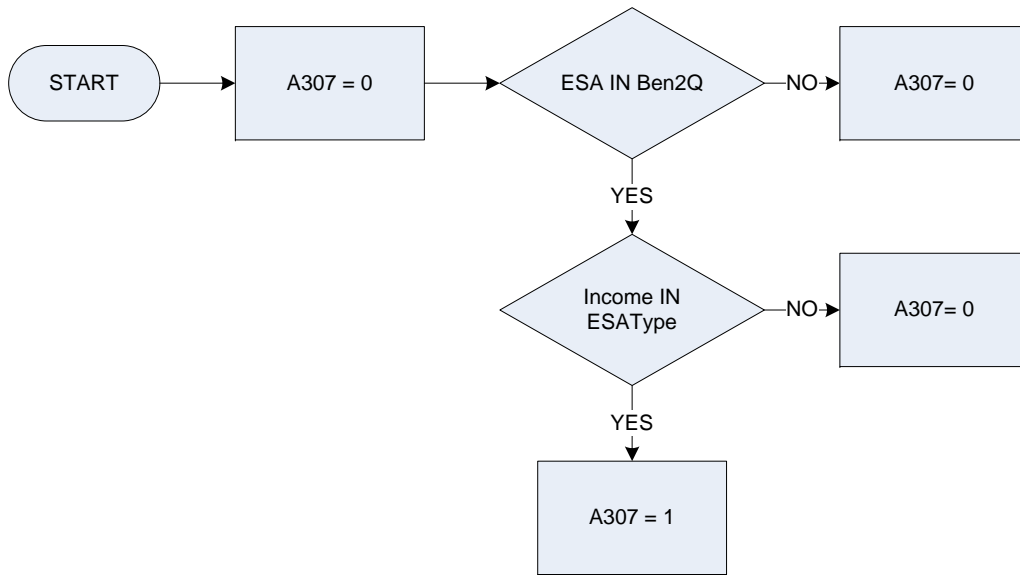
**ESAType** There are two types of Jobseeker's Allowance. Is the Allowance the respondent has received:  
**Contr** Contributory, that is based on their N.I. contributions,  
**Incom** Income-related, which is based on an assessment of their income?  
**Comb** A combination of 'contributory' and 'income related'?

**WageBen** Is the respondent at present receiving any of these benefits in their own right, that is where they are the named recipient?  
**UniCred** Universal Credit  
**HousBen** Housing Benefit  
**WTC** Working Tax Credit (excluding any childcare element of Working Tax Credit)  
**CTC** Child Tax Credit (including any childcare element of Working Tax Credit)  
**IncSupp** Income Support  
**JSA** Jobseeker's Allowance  
**ESA** Employment and Support Allowance  
**CareAll** Carer's Allowance  
**None** None of these

**Weeks** For how long has the respondent been on this benefit?  
**UpTwo** Up to 2 years  
**LesThre** 2 years but less than 3  
**LesFour** 3 years but less than 4  
**LesFiv** 4 years but less than 5  
**MoreFiv** 5 or more years

**Weeks2** For how many weeks has the respondent been on this benefit?

## A307 – Employment and Support Allowance (income based) - receiving at present (for cases January - June 2013)

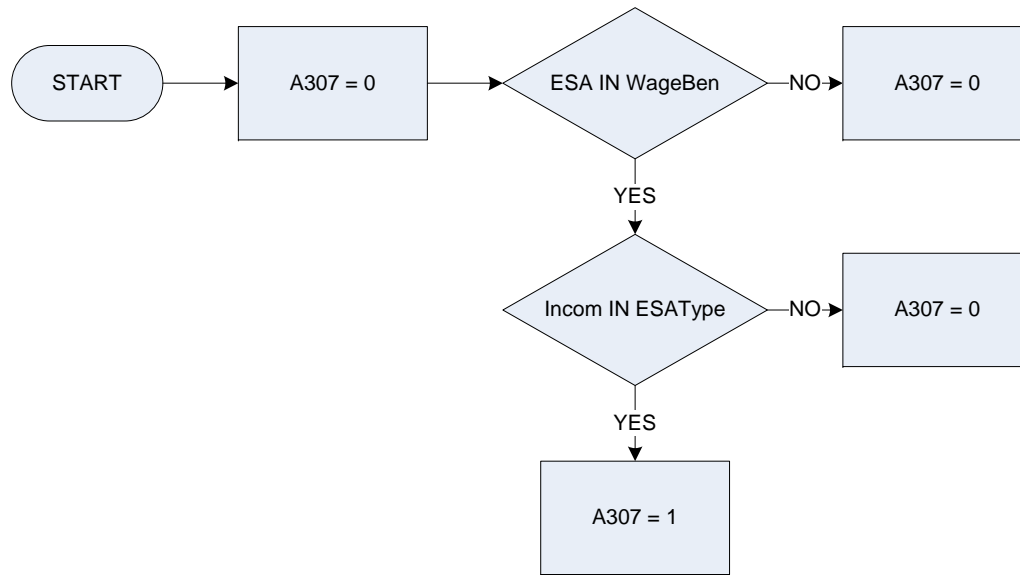


### KEY

<b>A307</b>	ESA (income based) receiving at present <b>0</b> <i>Not applicable</i> <b>1</b> <i>Receiving at present</i>
<b>Ben2Q</b>	Is the respondent, at present receiving any of these benefits in their own right - that is, where they are the named recipient? <b>JSA</b> <i>Jobseeker's Allowance (JSA)</i> <b>PC</b> <i>Pension Credit</i> <b>IncSupp</b> <i>Income Support</i> <b>IncapBen</b> <i>Incapacity Benefit</i> <b>ESA</b> <i>Employment and Support Allowance (ESA)</i> <b>MatAllw</b> <i>Maternity Allowance</i> <b>IndDisab</b> <i>Industrial Injury Disablement Benefit</i> <b>None</b> <i>None of these</i>
<b>ESAType</b>	There are two types of Employment and Support Allowance. Is the Allowance the respondent has received: <b>Contr</b> <i>Contributory, that is based on your N.I. contributions,</i> <b>Income</b> <i>Income-based, that is based on an assessment of your income?</i>



## A307 – Employment and Support Allowance (income based) – receiving at present (for cases from July 2013)



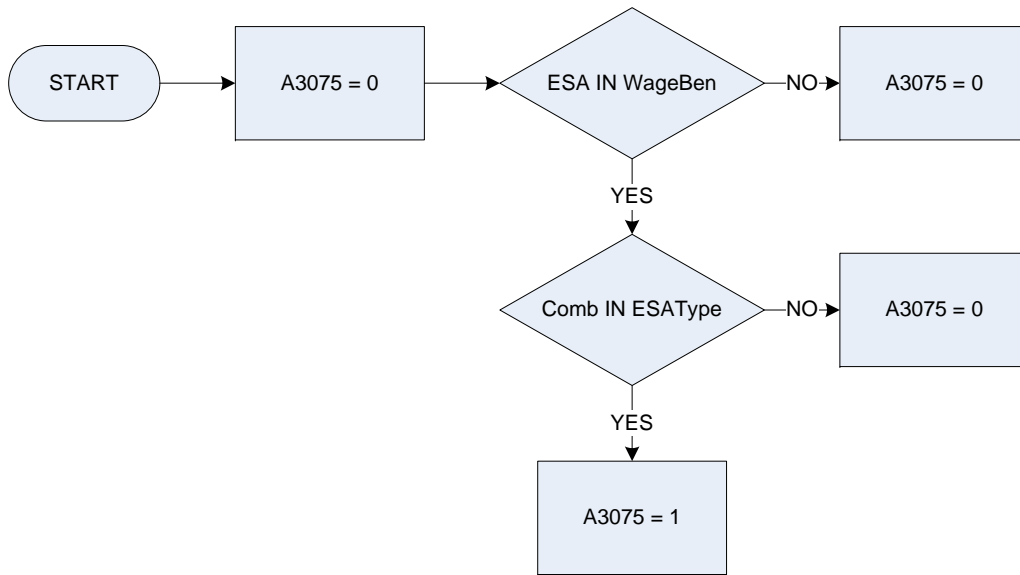
### KEY

**A307** ESA(income based) - receiving at present  
 0 Not applicable  
 1 Receiving at present

**WageBen** Is the respondent at present receiving any of these state benefits in their own right, that is where they are the named recipient?  
**UniCred** Universal Credit  
**HousBen** Housing Benefit  
**WTC** Working Tax Credit (excluding any childcare element of Working Tax Credit)  
**CTC** Child Tax Credit (including any childcare element of Working Tax Credit)  
**IncSupp** Income Support  
**JSA** Jobseeker's Allowance  
**ESA** Employment and Support Allowance  
**CareAll** Carer's Allowance  
**None** None of these

**ESAType** There are two types of Employment and Support Allowance. Is the Allowance the respondent has received:  
**Contr** Contributory, that is based on their N.I. contributions,  
**Incom** Income-related, which is based on an assessment of their income?  
**Comb** A combination of 'contributory' and 'income related'?

**A3075 – Employment and Support Allowance (combination of income and contribution based) – receiving at present (for cases from July 2013)**



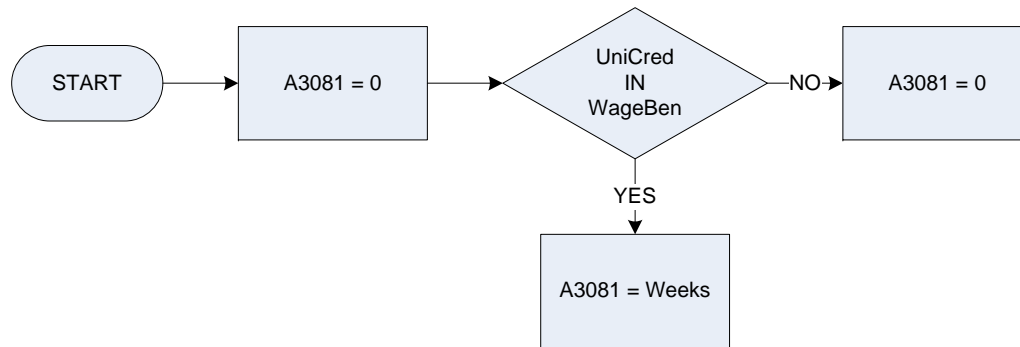
**KEY**

**A3075** ESA (combination of income and contribution based) - receiving at present  
 0 Not applicable  
 1 Receiving at present

**WageBen** Is the respondent at present receiving any of these state benefits in their own right, that is where they are the named recipient?  
**UniCred** Universal Credit  
**HousBen** Housing Benefit  
**WTC** Working Tax Credit (excluding any childcare element of Working Tax Credit)  
**CTC** Child Tax Credit (including any childcare element of Working Tax Credit)  
**IncSupp** Income Support  
**JSA** Jobseeker's Allowance  
**ESA** Employment and Support Allowance  
**CareAll** Carer's Allowance  
**None** None of these

**ESAType** There are two types of Employment and Support Allowance. Is the Allowance the respondent has received:  
**Contr** Contributory, that is based on their N.I. contributions,  
**Incom** Income-related, which is based on an assessment of their income?  
**Comb** A combination of 'contributory' and 'income related'?

## A3081 – Universal Credit – time received (for cases from July 2013)



### KEY

#### WageBen

Is the respondent at present receiving any of these benefits in their own right, that is where they are the named recipient?

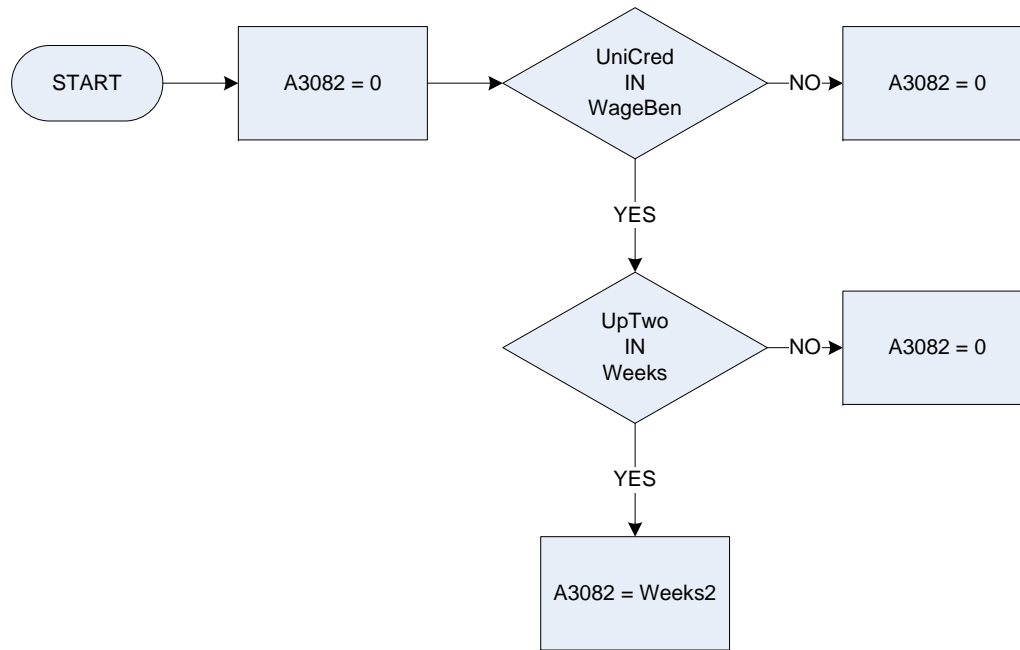
- UniCred** *Universal Credit*
- HousBen** *Housing Benefit*
- WTC** *Working Tax Credit (excluding any childcare element of Working Tax Credit)*
- CTC** *Child Tax Credit (including any childcare element of Working Tax Credit)*
- IncSupp** *Income Support*
- JSA** *Jobseeker's Allowance*
- ESA** *Employment and Support Allowance*
- CareAll** *Carer's Allowance*
- None** *None of these*

#### Weeks

For how long has the respondent been on this benefit?

- 1** *Up to 2 years*
- 2** *2 years but less than 3*
- 3** *3 years but less than 4*
- 4** *4 years but less than 5*
- 5** *5 or more years*

## A3082 – Universal Credit - number of weeks received (up to 2 years) (for cases from July 2013)



### KEY

#### WageBen

Is the respondent at present receiving any of these benefits in their own right, that is where they are the named recipient?

- UniCred** Universal Credit
- HousBen** Housing Benefit
- WTC** Working Tax Credit (excluding any childcare element of Working Tax Credit)
- CTC** Child Tax Credit (including any childcare element of Working Tax Credit)
- IncSupp** Income Support
- JSA** Jobseeker's Allowance
- ESA** Employment and Support Allowance
- CareAll** Carer's Allowance
- None** None of these

#### Weeks

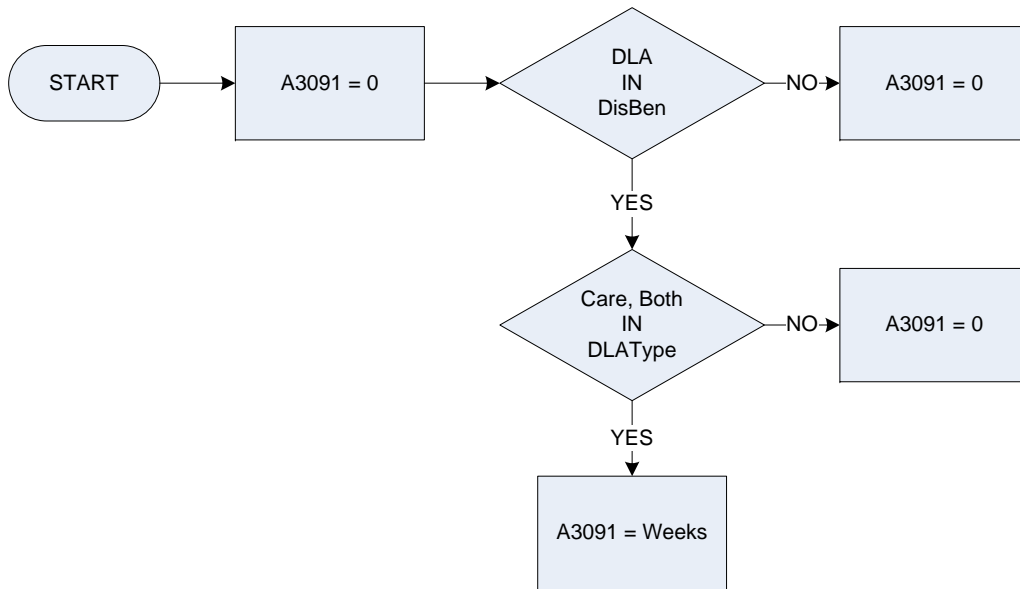
For how long has the respondent been on this benefit?

- UpTwo** Up to 2 years
- LesThre** 2 years but less than 3
- LesFour** 3 years but less than 4
- LesFiv** 4 years but less than 5
- MoreFiv** 5 or more years

#### Weeks2

For how many weeks has the respondent been on this benefit?

## A3091 – Disability Living Allowance (care component) – time received (for cases from July 2013)



### KEY

**DisBen** Is the respondent at present receiving any of these benefits in their own right, or on behalf of another person?

- PIP** Personal Independence Payment (including the car allowance known as Motability)
- DLA** Disability Living Allowance (including the car allowance known as Motability)
- AtAll** Attendance Allowance
- SDA** Severe Disablement Allowance
- IB** Incapacity Benefit
- IIDB** Industrial Injury Disablement Benefit
- None** None of these

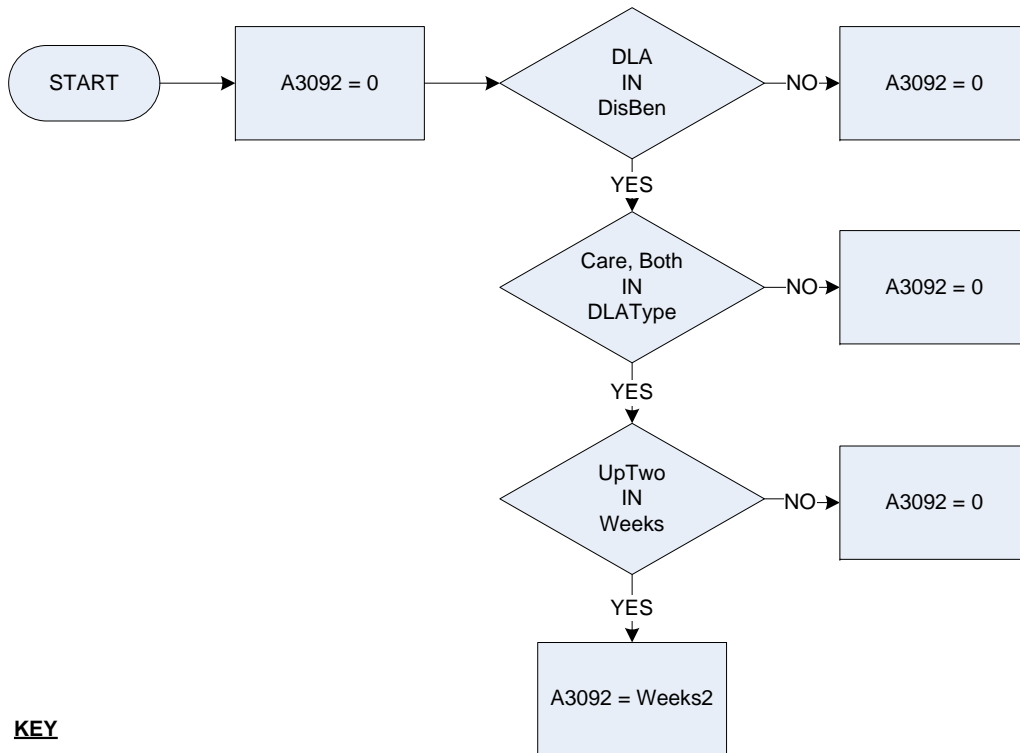
**DLAType** There are two types of Disability Living Allowance. Is your allowance:

- Care** Care component only
- Mob** Mobility component only
- Both** Both – Care and Mobility components?

**Weeks** For how long has the respondent been on this benefit?

- UpTwo** Up to 2 years
- LesThre** 2 years but less than 3
- LesFour** 3 years but less than 4
- LesFiv** 4 years but less than 5
- MoreFiv** 5 or more years

**A3092 – Disability Living Allowance (care component) - number of weeks received (up to 2 years) (for cases from July 2013)**



**KEY**

**DisBen** Is the respondent at present receiving any of these state benefits in their own right, or on behalf of another person?

- PIP** Personal Independence Payment (including the car allowance known as Motability)
- DLA** Disability Living Allowance (including the car allowance known as Motability)
- AtAll** Attendance Allowance
- SDA** Severe Disablement Allowance
- IB** Incapacity Benefit
- IIDB** Industrial Injury Disablement Benefit
- None** None of these

**DLAType** There are two types of Disability Living Allowance. Is your allowance:

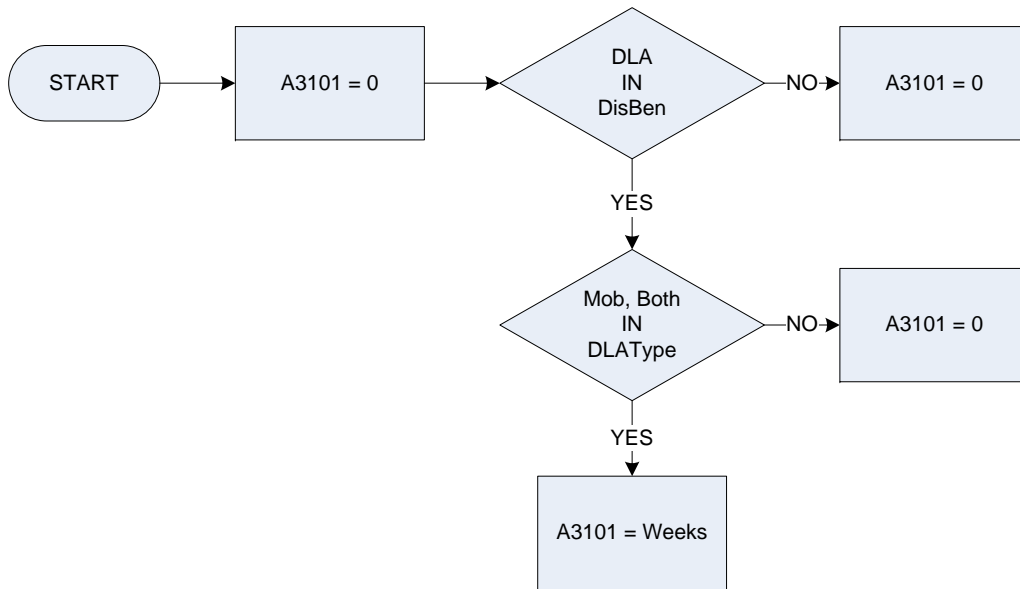
- Care** Care component only
- Mob** Mobility component only
- Both** Both – Care and Mobility components?

**Weeks** For how long has the respondent been on this benefit?

- UpTwo** Up to 2 years
- LesThre** 2 years but less than 3
- LesFour** 3 years but less than 4
- LesFiv** 4 years but less than 5
- MoreFiv** 5 or more years

**Weeks2** For how many weeks has the respondent been on this benefit?

## A3101 – Disability Living Allowance (mobility component) – time received (for cases from July 2013)



### KEY

**DisBen** Is the respondent at present receiving any of these benefits in their own right, or on behalf of another person?

- PIP** Personal Independence Payment (including the car allowance known as Motability)
- DLA** Disability Living Allowance (including the car allowance known as Motability)
- AtAll** Attendance Allowance
- SDA** Severe Disablement Allowance
- IB** Incapacity Benefit
- IIDB** Industrial Injury Disablement Benefit
- None** None of these

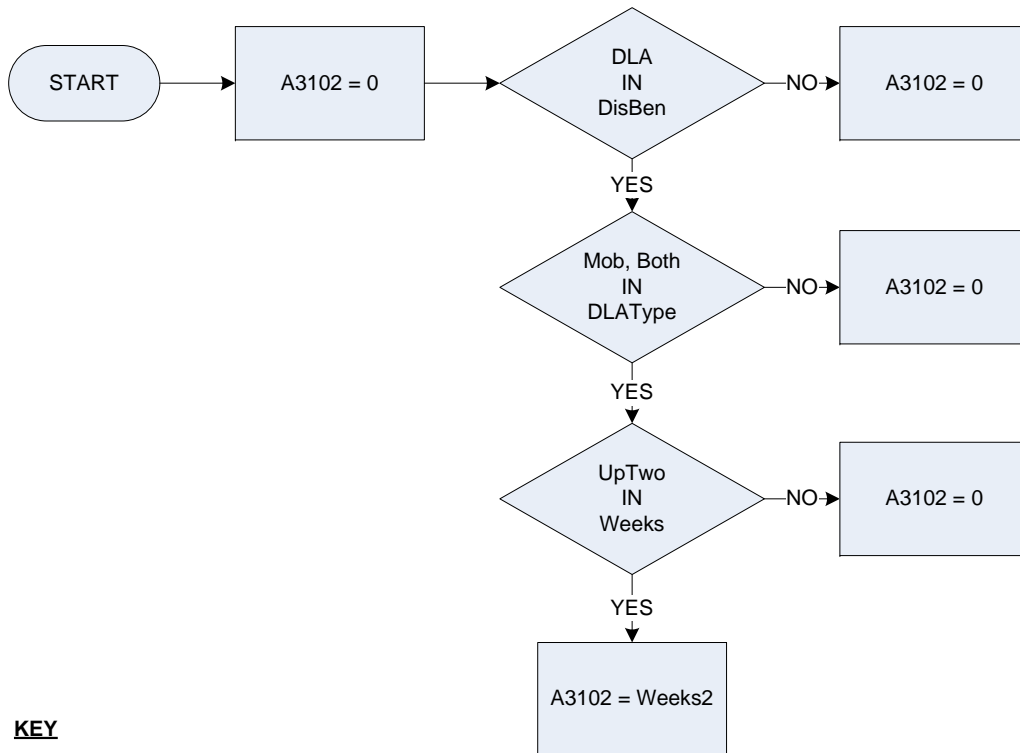
**DLAType** There are two types of Disability Living Allowance. Is your allowance:

- Care** Care component only
- Mob** Mobility component only
- Both** Both – Care and Mobility components?

**Weeks** For how long has the respondent been on this benefit?

- UpTwo** Up to 2 years
- LesThre** 2 years but less than 3
- LesFour** 3 years but less than 4
- LesFiv** 4 years but less than 5
- MoreFiv** 5 or more years

**A3102 – Disability Living Allowance (mobility component) - number of weeks received (up to 2 years) (for cases from July 2013)**



**KEY**

**DisBen** Is the respondent at present receiving any of these state benefits in their own right, or on behalf of another person?  
**PIP** Personal Independence Payment (including the car allowance known as Motability)  
**DLA** Disability Living Allowance (including the car allowance known as Motability)  
**AtAll** Attendance Allowance  
**SDA** Severe Disablement Allowance  
**IB** Incapacity Benefit  
**IIDB** Industrial Injury Disablement Benefit  
**None** None of these

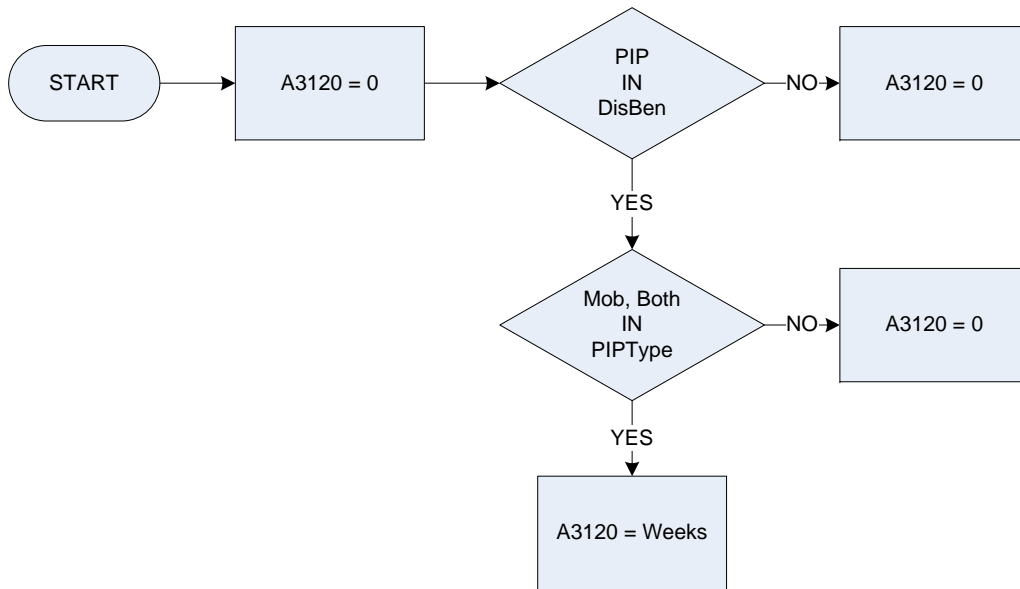
**DLAType** There are two types of Disability Living Allowance. Is your allowance:  
**Care** Care component only  
**Mob** Mobility component only  
**Both** Both – Care and Mobility components?

**Weeks** For how long has the respondent been on this benefit?  
**UpTwo** Up to 2 years  
**LesThre** 2 years but less than 3  
**LesFour** 3 years but less than 4  
**LesFiv** 4 years but less than 5  
**MoreFiv** 5 or more years

**Weeks2** For how many weeks has the respondent been on this benefit?



## A3120 – Personal Independence Payment (mobility component) – time received (for cases from July 2013)



### KEY

**DisBen** Is the respondent at present receiving any of these benefits in their own right, or on behalf of another person?

- PIP** Personal Independence Payment (including the car allowance known as Motability)
- DLA** Disability Living Allowance (including the car allowance known as Motability)
- AtAll** Attendance Allowance
- SDA** Severe Disablement Allowance
- IB** Incapacity Benefit
- IIDB** Industrial Injury Disablement Benefit
- None** None of these

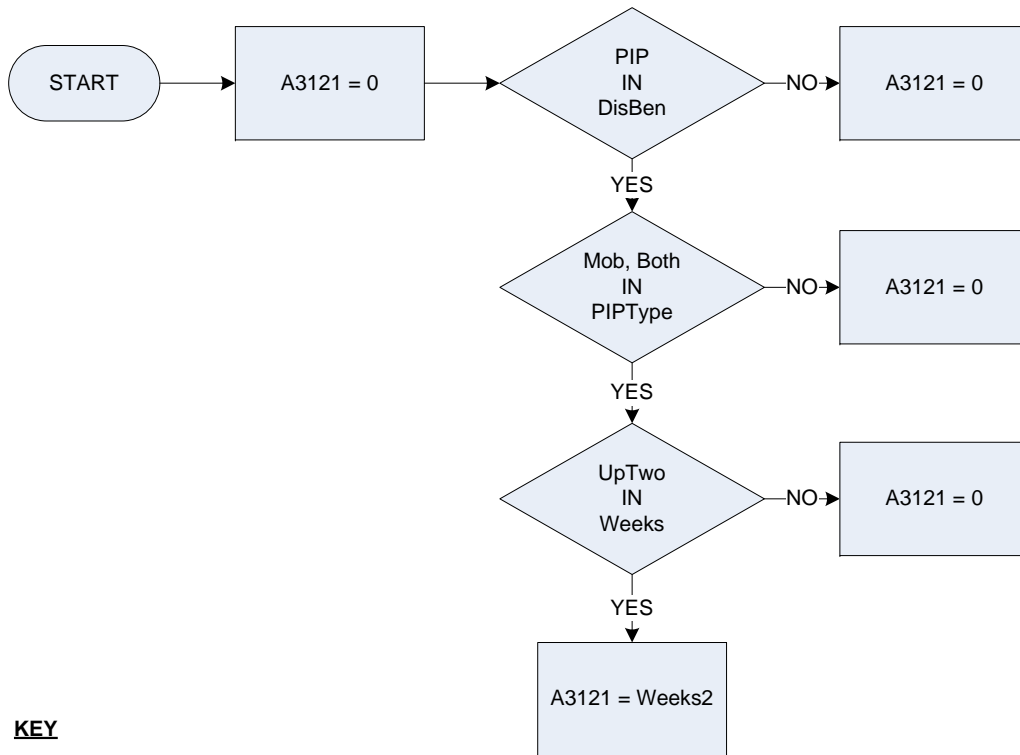
**PIType** There are two types of Personal Independence Payment. Is your allowance:

- Care** Daily living only
- Mob** Mobility only
- Both** Both – Daily living and mobility?

**Weeks** For how long has the respondent been on this benefit?

- UpTwo** Up to 2 years
- LesThre** 2 years but less than 3
- LesFour** 3 years but less than 4
- LesFiv** 4 years but less than 5
- MoreFiv** 5 or more years

**A3121 – Personal Independence Payment (mobility component) - number of weeks received (up to 2 years) (for cases from July 2013)**



**KEY**

**DisBen** Is the respondent at present receiving any of these state benefits in their own right, or on behalf of another person?

- PIP** Personal Independence Payment (including the car allowance known as Motability)
- DLA** Disability Living Allowance (including the car allowance known as Motability)
- AtAll** Attendance Allowance
- SDA** Severe Disablement Allowance
- IB** Incapacity Benefit
- IIDB** Industrial Injury Disablement Benefit
- None** None of these

**PIPTYPE** There are two types of Personal Independence Payment. Is your allowance:

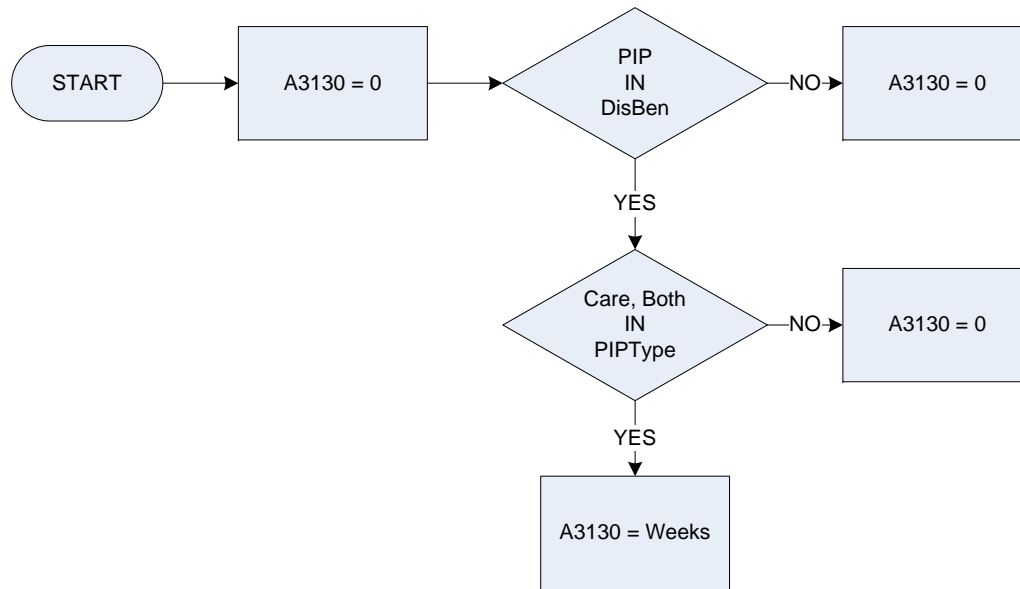
- Care** Daily living only
- Mob** Mobility only
- Both** Both – Daily living and mobility?

**Weeks** For how long has the respondent been on this benefit?

- UpTwo** Up to 2 years
- LesThre** 2 years but less than 3
- LesFour** 3 years but less than 4
- LesFiv** 4 years but less than 5
- MoreFiv** 5 or more years

**Weeks2** For how many weeks has the respondent been on this benefit?

## A3130 – Personal Independence Payment (care component) – time received (for cases from July 2013)



### KEY

**DisBen** Is the respondent at present receiving any of these benefits in their own right, or on behalf of another person?

- PIP** Personal Independence Payment (including the car allowance known as Motability)
- DLA** Disability Living Allowance (including the car allowance known as Motability)
- AtAll** Attendance Allowance
- SDA** Severe Disablement Allowance
- IB** Incapacity Benefit
- IIDB** Industrial Injury Disablement Benefit
- None** None of these

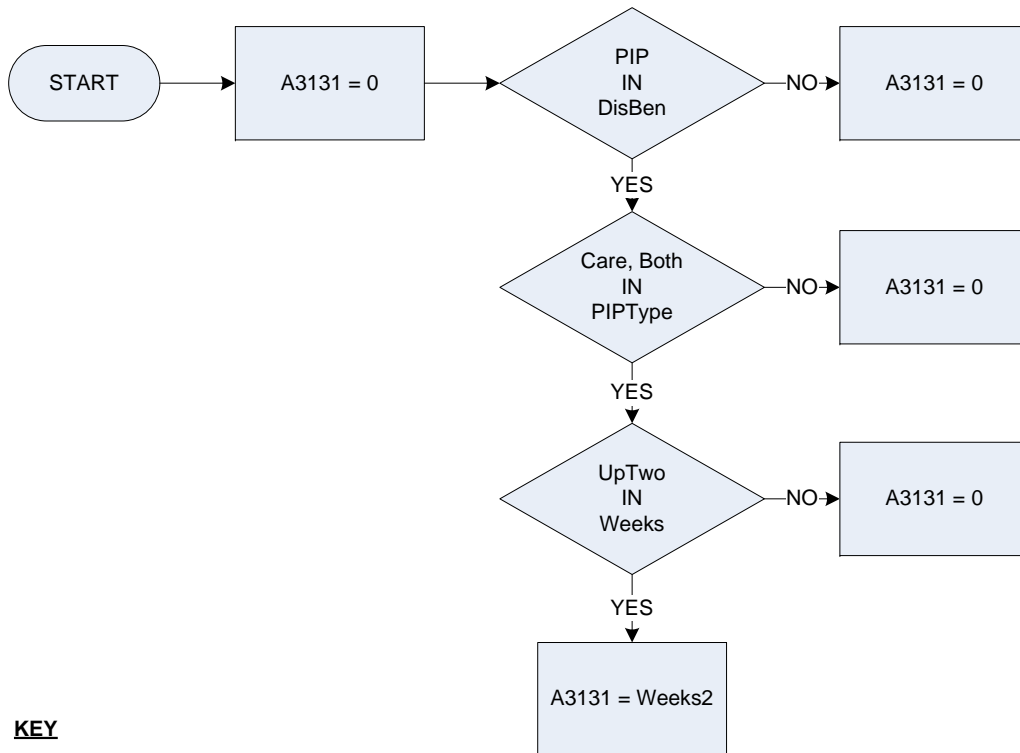
**PIType** There are two types of Personal Independence Payment. Is your allowance:

- Care** Daily living only
- Mob** Mobility only
- Both** Both – Daily living and mobility?

**Weeks** For how long has the respondent been on this benefit?

- UpTwo** Up to 2 years
- LesThre** 2 years but less than 3
- LesFour** 3 years but less than 4
- LesFiv** 4 years but less than 5
- MoreFiv** 5 or more years

**A3131 – Personal Independence Payment (care component) - number of weeks received (up to 2 years) (for cases from July 2013)**



**KEY**

**DisBen** Is the respondent at present receiving any of these state benefits in their own right, or on behalf of another person?

- PIP** Personal Independence Payment (including the car allowance known as Motability)
- DLA** Disability Living Allowance (including the car allowance known as Motability)
- AtAll** Attendance Allowance
- SDA** Severe Disablement Allowance
- IB** Incapacity Benefit
- IIDB** Industrial Injury Disablement Benefit
- None** None of these

**PIPTYPE** There are two types of Personal Independence Payment. Is your allowance:

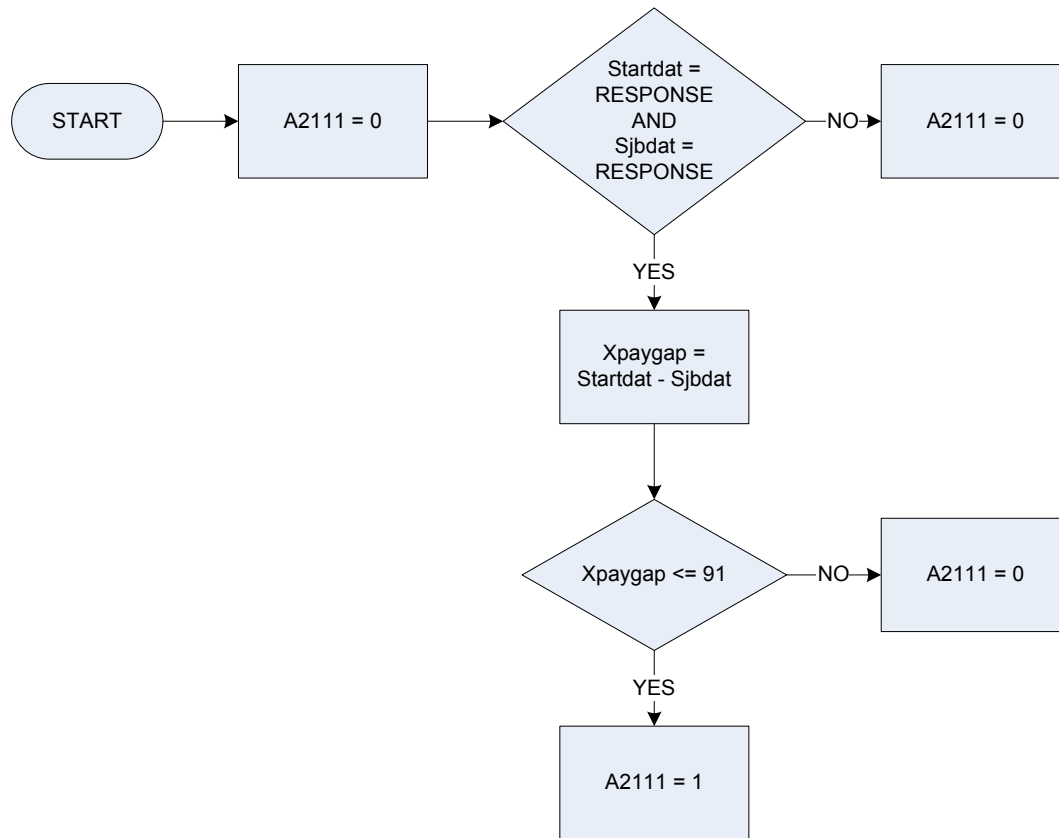
- Care** Daily living only
- Mob** Mobility only
- Both** Both – Daily living and mobility?

**Weeks** For how long has the respondent been on this benefit?

- UpTwo** Up to 2 years
- LesThre** 2 years but less than 3
- LesFour** 3 years but less than 4
- LesFiv** 4 years but less than 5
- MoreFiv** 5 or more years

**Weeks2** For how many weeks has the respondent been on this benefit?

**A2111 – First subsidiary job - employment: paid in last 13 wks**

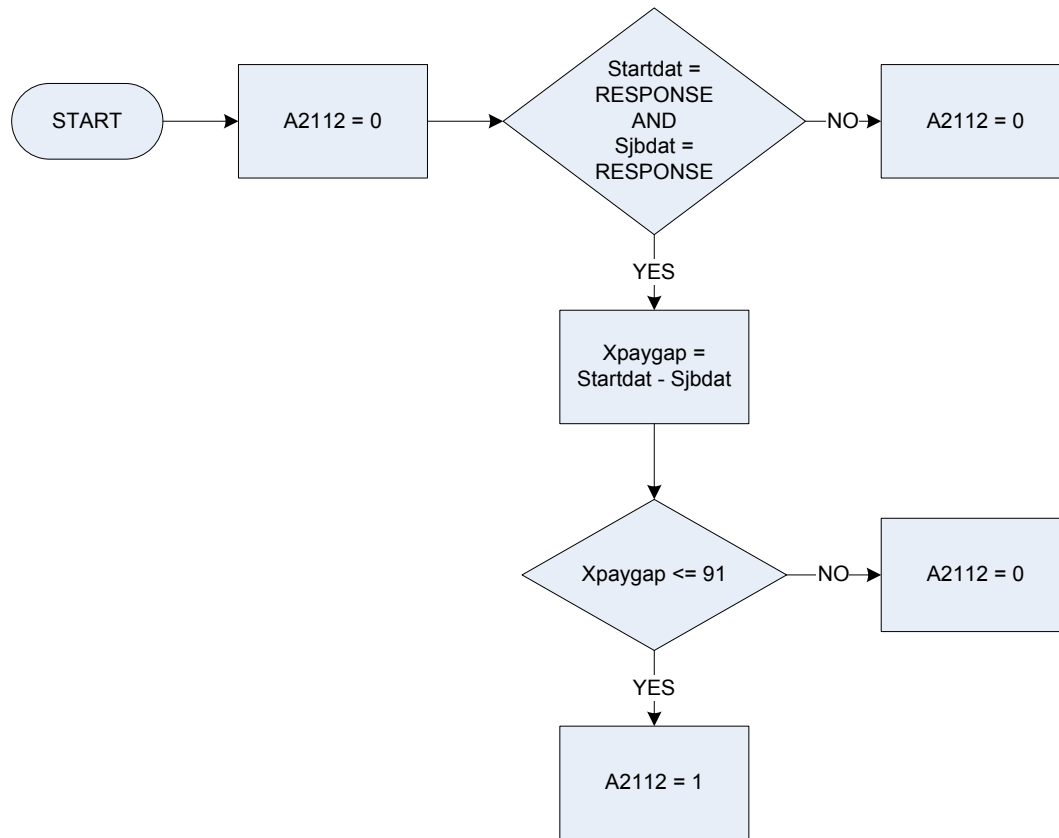


**KEY**

**A2111** First subsidiary job - employment: paid in last 13 wks  
**0** Not recorded  
**1** Yes

**Sjbdat** On what date was the respondent last paid/ On what date does the respondent expect to be paid a wage or salary in this job?  
**Startdat** Date when interview with this household was started  
**Xpaygap** Temporary variable used in calculations: Number of days between last pay date and interview with the household

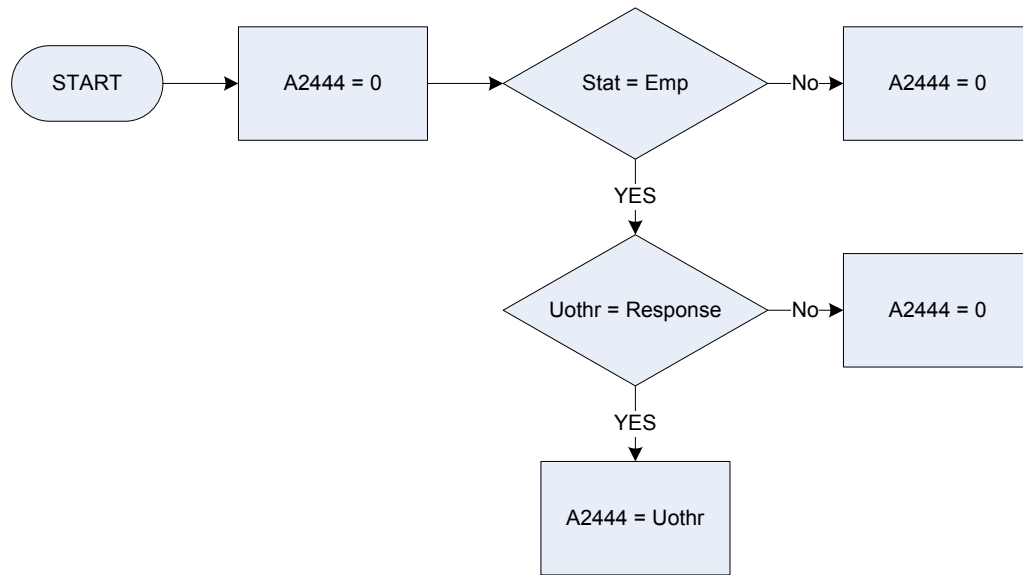
**A2112 – Second subsidiary job - employment: paid in last 13 wks**



**KEY**

<b>A2112</b>	Second subsidiary job - employment: paid in last 13 wks
<b>0</b>	Not recorded
<b>1</b>	Yes
<b>Sjbdat</b>	On what date was the respondent last paid/ On what date does the respondent expect to be paid a wage or salary in this job?
<b>Startdat</b>	Date when interview with this household was started
<b>Xpaygap</b>	Temporary variable used in calculations: Number of days between last pay date and interview with the household

## A2444 – Hours unpaid overtime usually worked



### KEY

**Stat**

Was the respondent working as an employee or were they self-employed?

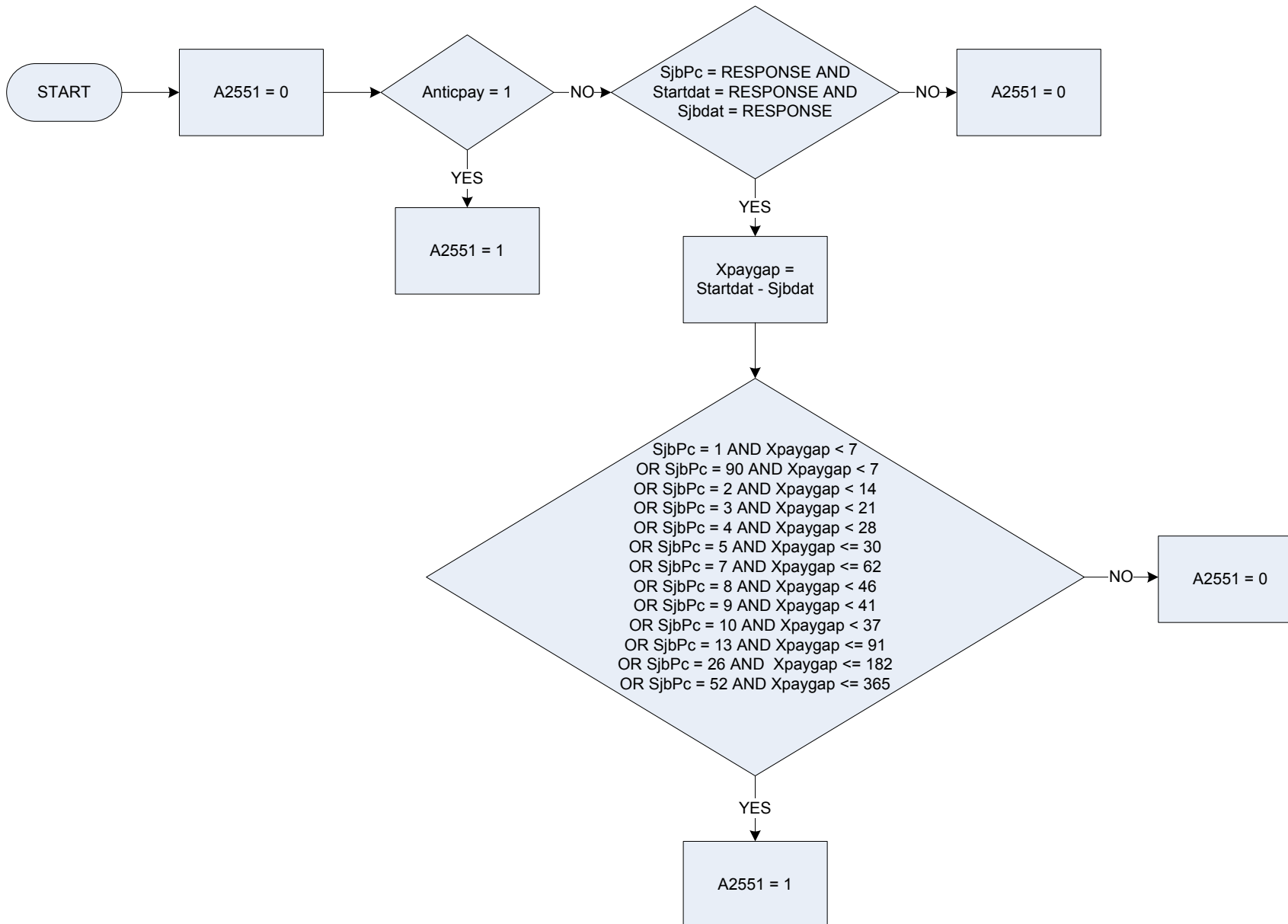
1 Employee

2 Self-employed

**Uothr**

How many hours unpaid overtime does the respondent usually work per week?

**A2551 – First subsidiary job – employee: last pay was received in specified time period**



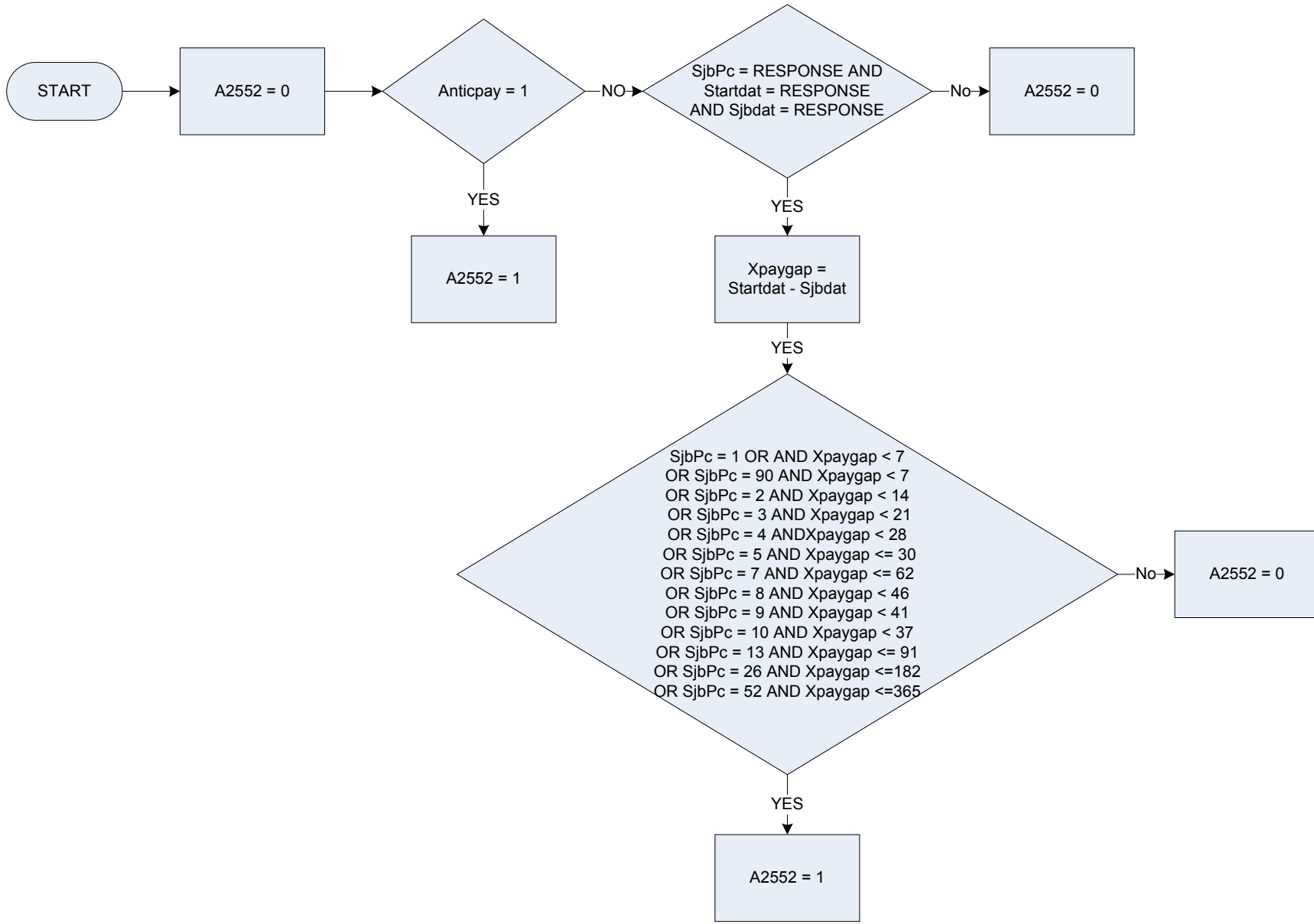


## A2551 – First subsidiary job – employee: last pay was received in specified time period

### **KEY**

<b>A2551</b>	First subsidiary job - employee: last pay was received in specified time period
	<i>0 Not recorded</i>
	<i>1 Received</i>
<b>Anticpay</b>	If in new job & not yet paid anticipated pay given
	<i>1 Anticipated pay to be given</i>
	<i>2 Others</i>
<b>Sjbdat</b>	First subsidiary job - date last paid or expect to be paid a wage or salary in this job?
<b>SjbPc</b>	First subsidiary job - period LAST take home pay covered
	<i>1 Less than a week</i>
	<i>90 Less than a week</i>
	<i>2 2 weeks</i>
	<i>3 3 weeks</i>
	<i>4 4 weeks</i>
	<i>5 Calendar month</i>
	<i>7 2 calendar months</i>
	<i>8 8 times a year</i>
	<i>9 9 times a year</i>
	<i>10 10 times a year</i>
	<i>13 3 months/13 week</i>
	<i>26 6 months/26 weeks</i>
	<i>52 1 year, 12 months, 52 weeks</i>
<b>Startdat</b>	Date interview with this household was started
<b>Xpaygap</b>	Time between data when interview was started and date respondent was last paid (or expects to be paid) a wage or salary

**A2552 – Second subsidiary job – employee: last pay was received in specified time period**

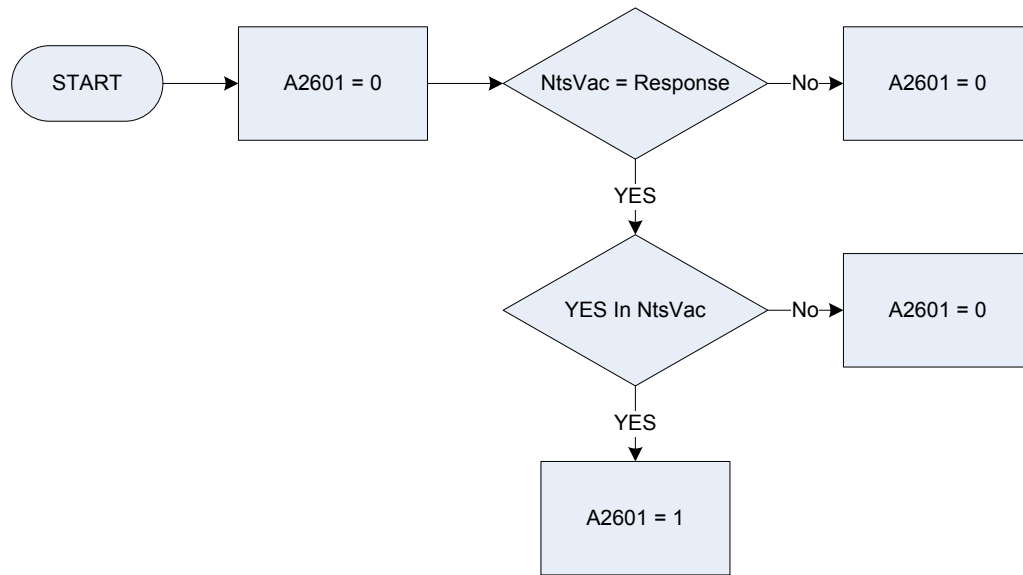


## A2552 – Second subsidiary job – employee: last pay was received in specified time period

### KEY

<b>A2552</b>	Second subsidiary job – employee: last pay was received in specified time period
	<i>0 Not recorded</i>
	<i>1 Received</i>
<b>Anticpay</b>	If in new job & not yet paid anticipated pay given
	<i>1 Anticipated pay to be given</i>
	<i>2 Others</i>
<b>Sjbdat</b>	Date last paid or expect to be paid a wage or salary in this job?
<b>SjbPc</b>	First subsidiary job - period LAST take home pay covered
	<i>1 Less than a week</i>
	<i>90 Less than a week</i>
	<i>2 2 weeks</i>
	<i>3 3 weeks</i>
	<i>4 4 weeks</i>
	<i>5 Calendar month</i>
	<i>7 2 calendar months</i>
	<i>8 8 times a year</i>
	<i>9 9 times a year</i>
	<i>10 10 times a year</i>
	<i>13 3 months/13 weeks</i>
	<i>26 6 months/26 weeks</i>
	<i>52 1 year, 12 months, 52 weeks</i>
<b>Startdat</b>	Date when interview with this household was started
<b>Xpaygap</b>	Temporary variable used in calculations – Number of days between last pay date and interview with household

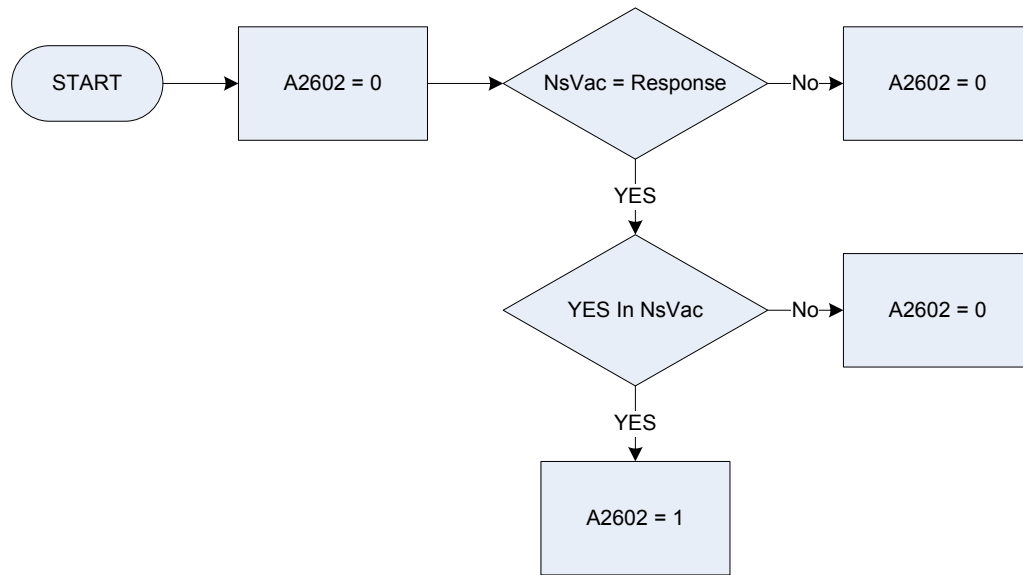
## A2601 – Interest credited to National Savings ordinary account



### KEY

<b>A2601</b>	Interested credited to National Savings Ordinary Account
<b>0</b>	<i>Not recorded</i>
<b>1</b>	<i>National Savings Bank ordinary account</i>
<b>NtsVac</b>	In the last 12 months, has respondent had any interest credited to a National Savings (Post Office) Ordinary account?
<b>1</b>	<i>Yes</i>
<b>2</b>	<i>No</i>

## A2602 – Interest credited to National Savings investment account



### KEY

#### A2602

Interested credited to National Saving Investment Account

**0** *Not recorded*

**1** *National Savings Bank investment account*

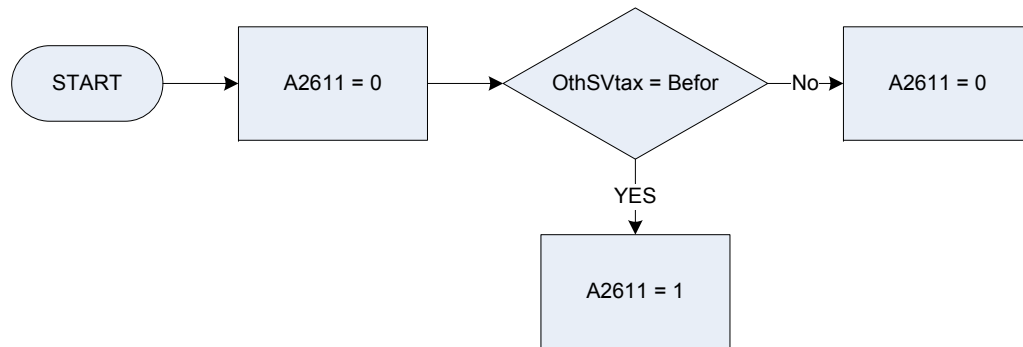
#### NsVac

In the last 12 months, has respondent had any interest credited to a National Savings (Post Office) Investment account?

**1** *Yes*

**2** *No*

## A2611 – Other Account with interest before tax



### KEY

#### **A2611**

Other account with interest before tax

*0 Not recorded*

*1 Other account before tax*

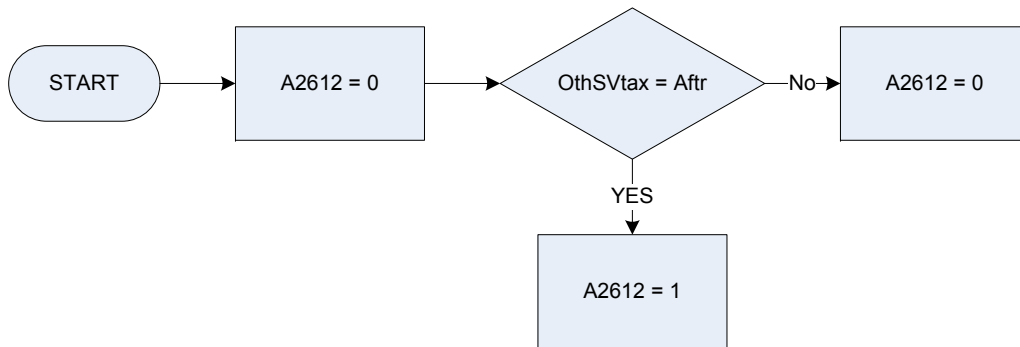
#### **OthSVtax**

Is the interest received AFTER or BEFORE tax?

**Aftr** *After tax*

**Befor** *Before tax*

## A2612 – Other Account with interest after tax



### KEY

#### **A2612**

Other account with interest after tax

**0**      *Not recorded*

**1**      *Bank\building society account after tax*

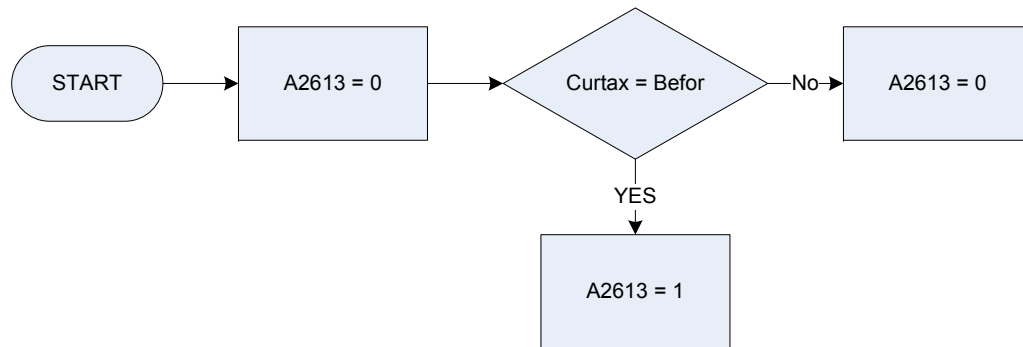
#### **OthSVtax**

Is the interest received AFTER or BEFORE tax?

**Afr**      *after tax*

**Befor**      *before tax*

## A2613 – Current Account with interest before tax



### KEY

#### **A2613**

Other account with interest before tax

*0* Not recorded

*1* Other account before tax

#### **Curtax**

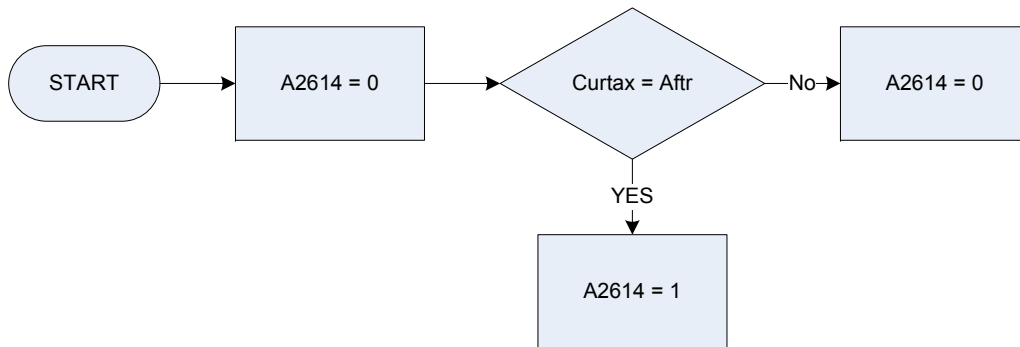
Is the interest received AFTER or BEFORE tax?

**Aftr** After tax

**Befor** Before tax



## A2614 – Current Account with interest after tax



### KEY

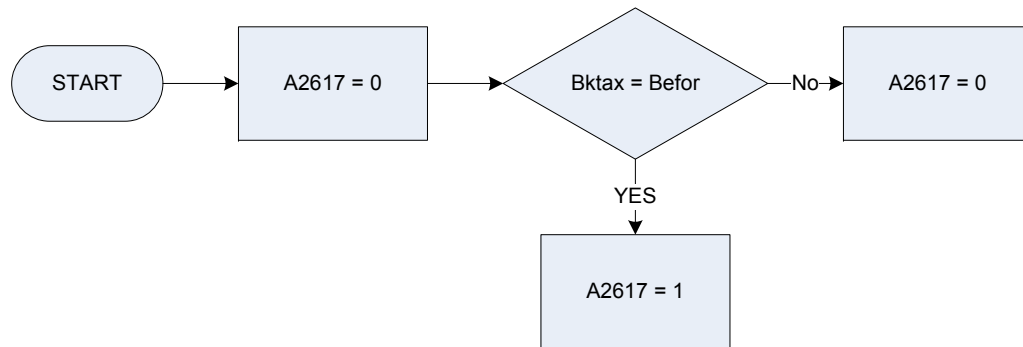
#### **A2614**

Current account with interest after tax  
**0**      *Not recorded*  
**1**      *Bank\building society account after tax*

#### **Curtax**

Is the interest received AFTER or BEFORE tax?  
**Aftr**      *after tax*  
**Befor**      *before tax*

## A2617 – Bank/Building Societies Account with interest before tax

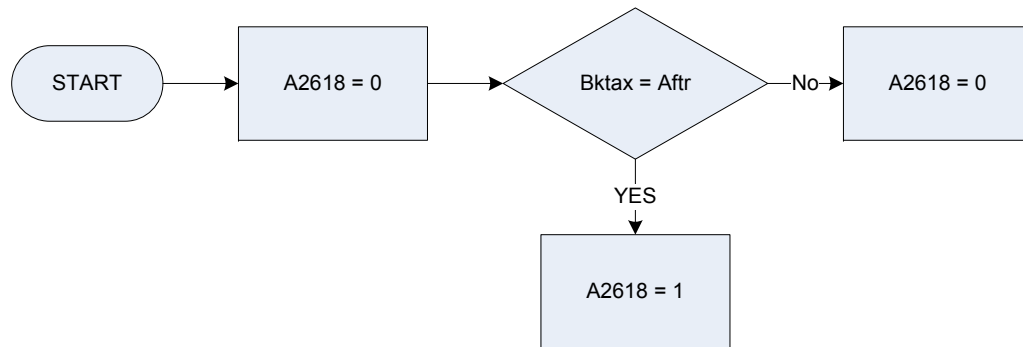


### KEY

**A2617** Bank\Build Societies Account with interest before tax  
*0 Not recorded*  
*1 Bank\building soc account before tax*

**Bktax** Is the interest received AFTER or BEFORE tax?  
**Aftr** *After tax*  
**Befor** *Before tax*

## A2618 – Bank / Build Societies Account with interest after tax

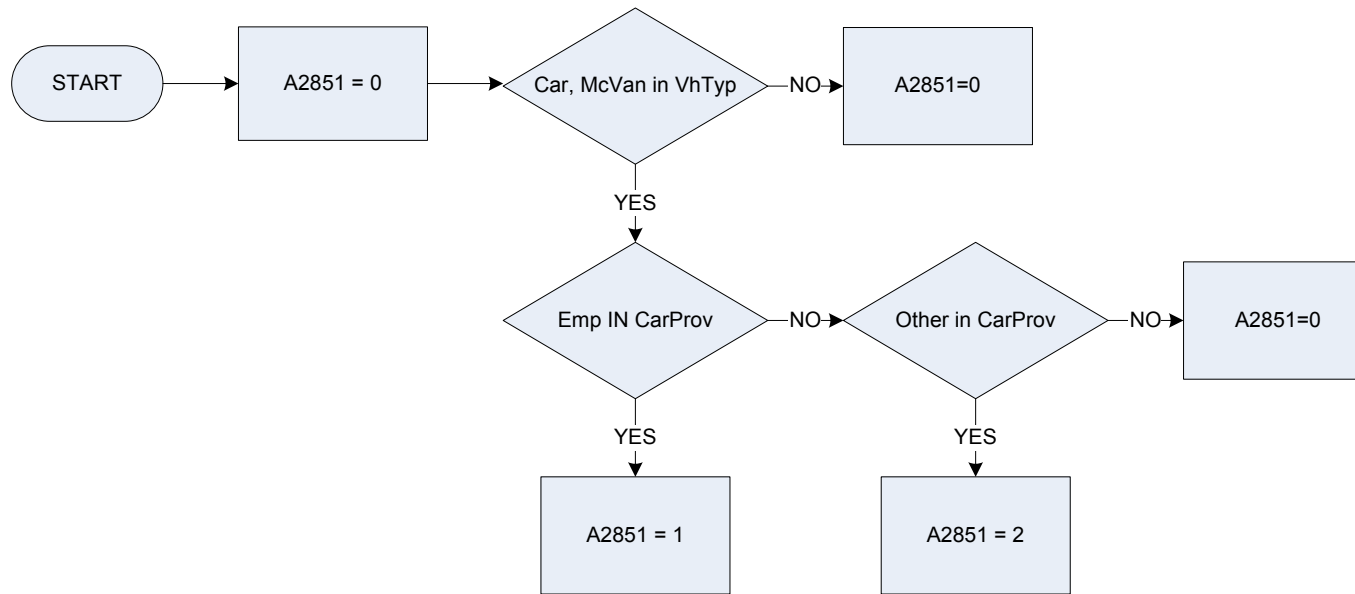


### KEY

**A2618** Bank\Building Societies Account with interest after tax  
*0* Not recorded  
*1* Bank\building society account after tax

**Bktax** Is the interest received AFTER or BEFORE tax?  
*Afr* after tax  
*Befor* before tax

**A2851 – Company car provided by employer.**



**KEY**

**A2851** Company car provided by employer

*0 Not recorded*

*1 Employer*

*2 Other*

**VhTyp** Is current vehicle, a car; a light van; a motor cycle; a motor caravan; or some other motor vehicle?

**car** "a car"

**lvan** "a light van"

**mcycle** "a motor cycle"

**mcvan** "a motor caravan"

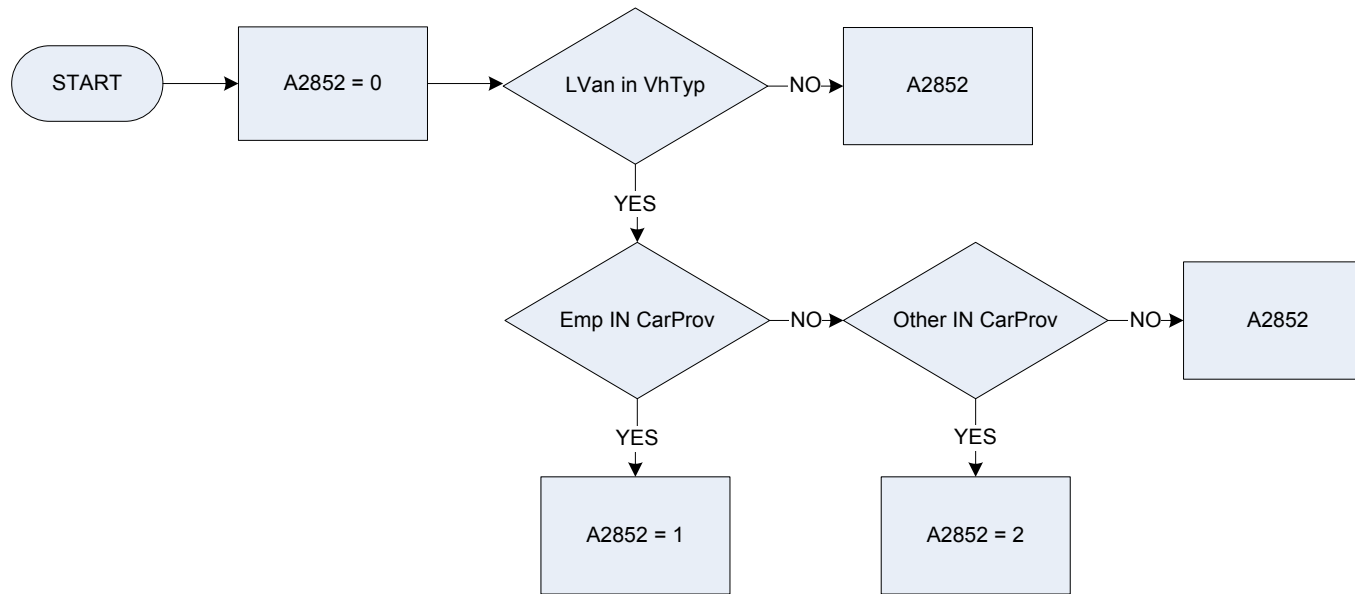
**other** "or some other motor vehicle?"

**CarProv** Is this vehicle provided for continuous use by: respondent's employer or spouse's employer; or someone else?

**emp** "employer"

**other** "someone else?"

**A2852 – Company van provided by employer.**



**KEY**

**CarProv** Is this vehicle provided for the respondent's continuous use by: their employer or spouse's employer; or someone else?

**Emp** Your employer or spouse's employer

**Other** or someone else?

**Person** Who sold/owns/uses this vehicle?

**VhTyp** Is the respondent's vehicle a car; a light van; a motor cycle; a motor caravan; or some other motor vehicle?

**Car** A car

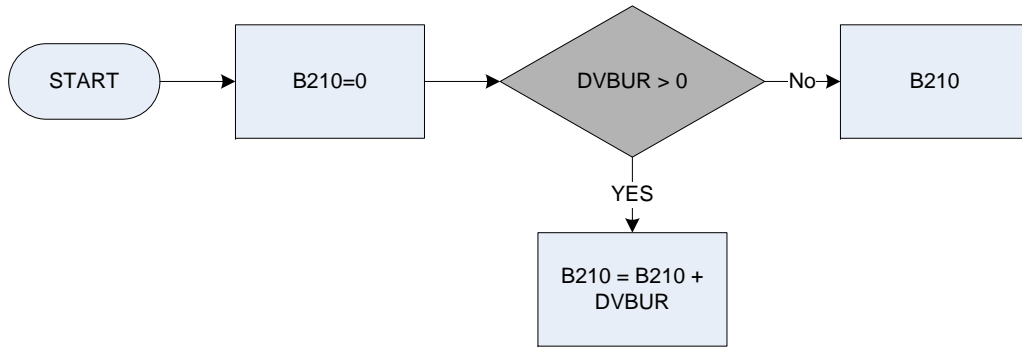
**Ivan** A light van

**mcycle** A motor cycle

**mcvan** A motor caravan

**other** Some other motor vehicle

**B210 – 16 - 19 Bursary – total amount received**

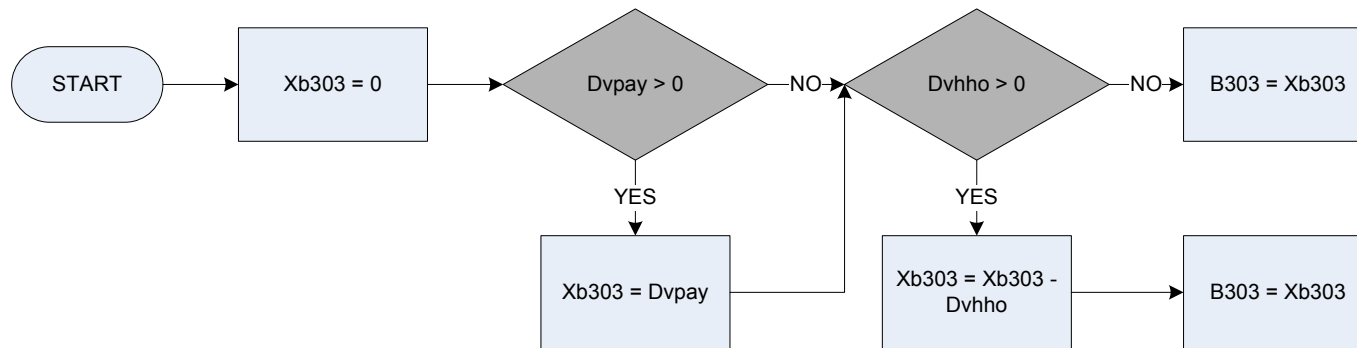


**KEY**

**DVBUR**

Derived from BurAmt to give a weekly amount (*BurAmt: 16-19 Bursary – How much did you receive last time?*)

## B303 – Pay- amount last time paid



### KEY

**Dvhho**

Derived from HHOAmt to give a weekly amount – (HHOAmt - Pay: What was the amount of the refund?)(Refunds: rent, rates, water/sewerage rates, mortgage payment, insurance on structure, gas, electricity, telephone, road tax, vehicle insurance, mileage allowance/fixed motoring allowance, travel/subsistence or any other refund for business expenditure from your current or last employer.)

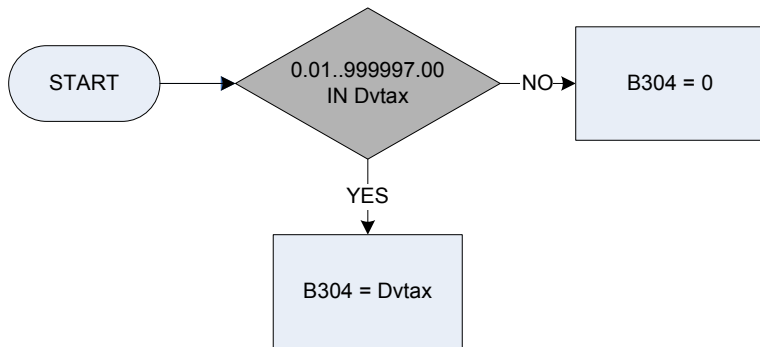
**Dvpay**

Derived from PyAmt for pay in most remunerative job to give a weekly amount (PyAmt - Pay: What was the last take home pay, (what will be the take home pay) including overtime, bonus, commission, tips or other payments?)

**Xb303**

Temporary variable used in calculations: Pay-amount last time paid

## B304 – Income tax refund in last pay - amount



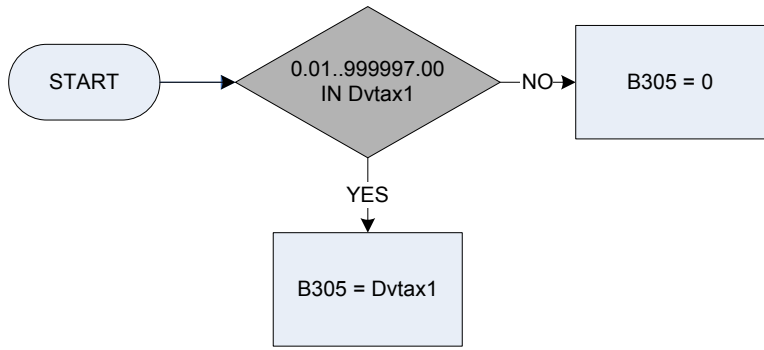
### KEY

**Dvtax**

Derived from Taxrefam to give a weekly amount – *(Taxrefam - Pay: How much was the tax refund?)*



## B305 – Income tax deduction – PAYE amount

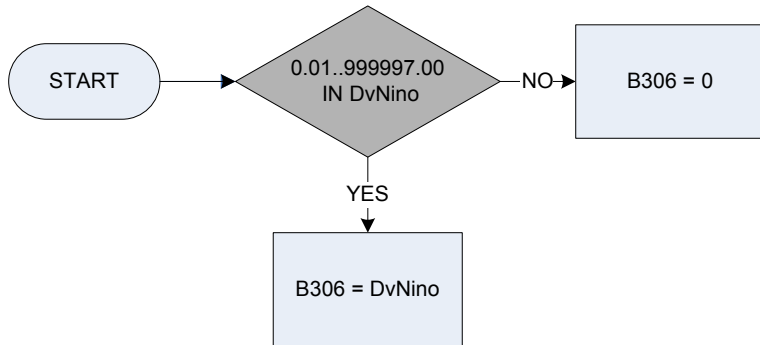


### KEY

**Dvtax1**

Derived from PyTax to give a weekly amount – (Pytax – Pay: How much was deducted from the respondent's wage/salary for income tax under PAYE?)

## B306 – NI contributions – amount deducted from pay

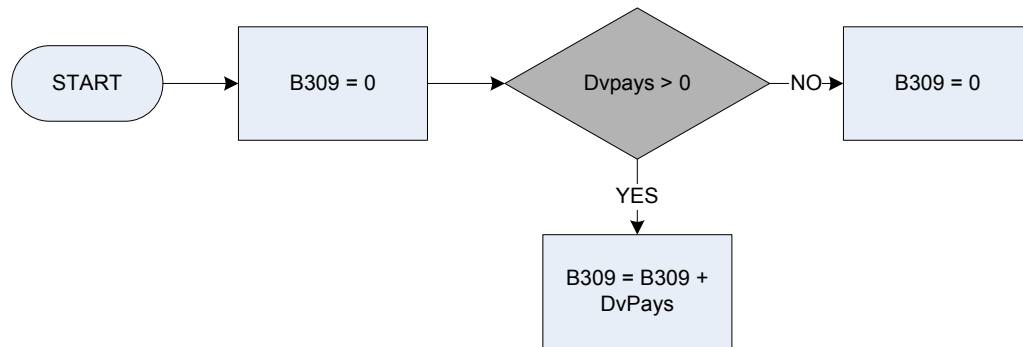


### KEY

**DvNino**

Derived from PyNINO to give a weekly amount – (*PyNINO – Pay: How much was deducted as a National Insurance Contribution?*)

## B309 – Subsidiary job: total last net pay of all jobs

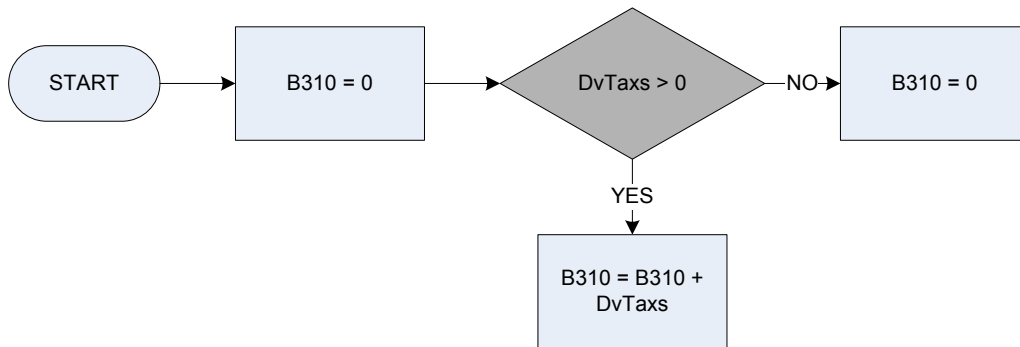


### KEY

**Dvpays** Derived from SJobAmt to give a weekly amount – (*SJobAmt - Subsidiary Job: What was/what will be the LAST take home pay, including overtime, bonus, commission or tips?*)

**Note:** This process is repeated for each subsidiary job.

## B310 – Subsidiary job: total tax deducted from all jobs

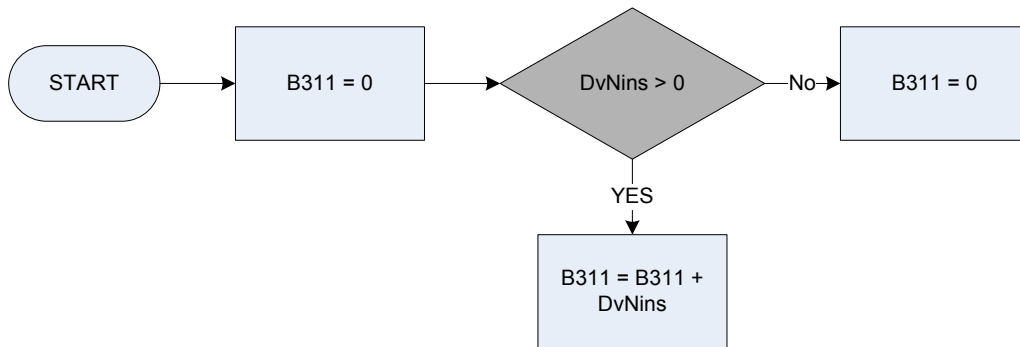


### KEY

**DvTaxes** Derived from SJobTax to give a weekly amount – (*SJobTax - Subsidiary Job: How much was deducted from the wage/salary for income tax under PAYE?*)

**Note:** This process is repeated for each subsidiary job.

## B311 – Subsidiary job: total NI deducted from all jobs

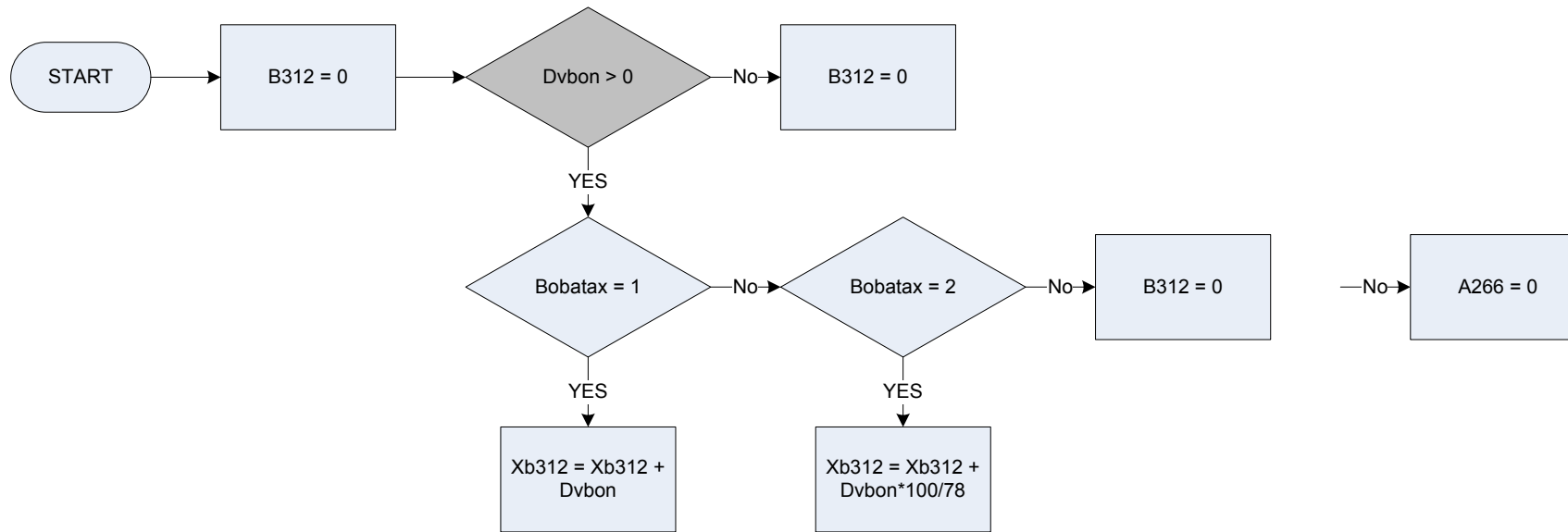


### KEY

**DvNins** Derived from SJB<sub>NINO</sub> to give a weekly amount – (*SJB<sub>NINO</sub> - Subsidiary Job: How much was deducted as National Insurance Contribution?*)

**Note:** This process is repeated for each subsidiary job.

## B312 - Bonus earnings - Gross amount



### KEY

#### Bobatax

Was this bonus amount before/after tax?

1 Before tax

2 After tax

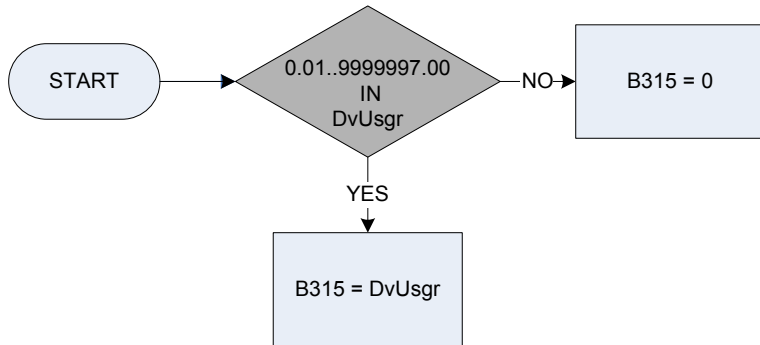
#### Dvbon

Derived from BonAm to give a weekly amount – (BonAm – Pay: How much was the bonus?)

#### Xb312

Temporary variable used in calculations: Bonus earnings - Gross Amount

## B315 – Usual gross pay - employee

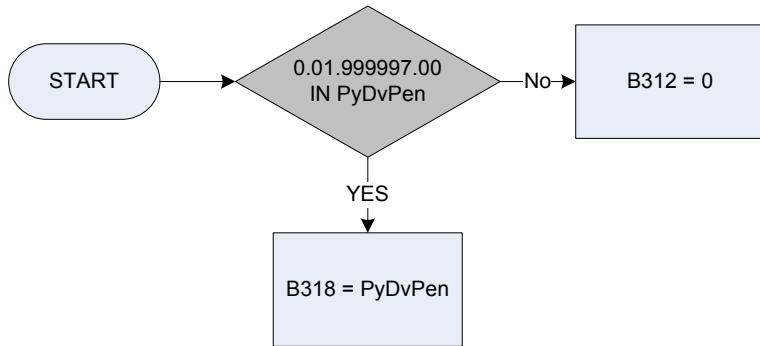


### KEY

**DvUsgr**

Derived from UsGroPay to give a weekly amount – (*UsGroPay - Pay: What does/did the respondent usually receive each time they were paid, BEFORE all deductions?*)

## B318 - Deductions from pay for superannuation - amount



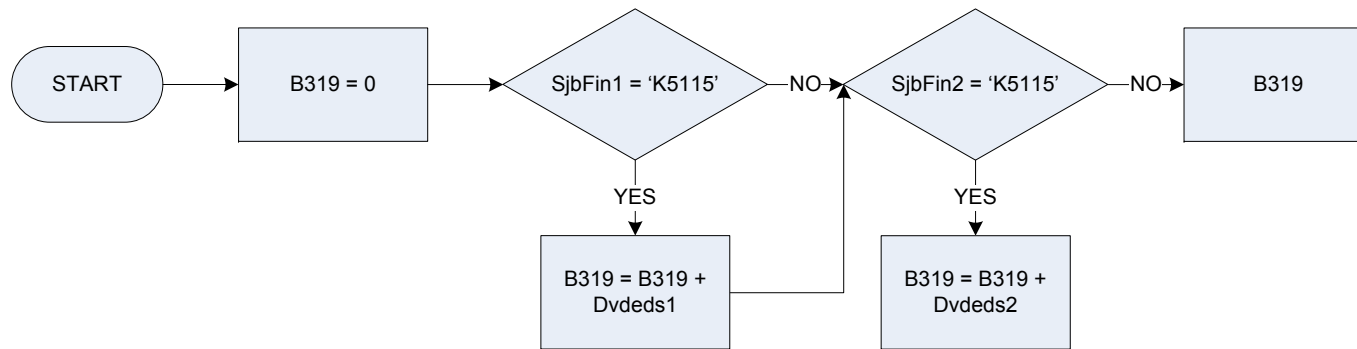
### KEY

**PyDvPen**

Derived from PenDAmt to give a weekly amount – (*PenDAmt – Pay: How much was deducted for superannuation?*)



## B319 – Superannuation – subsidiary job(s) – last pay

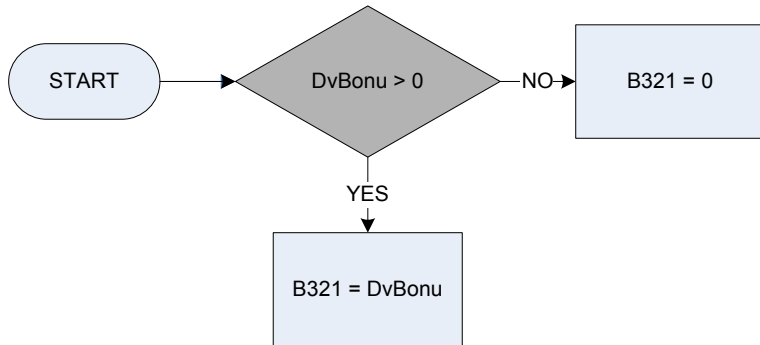


### KEY

**Dvdeds1 & Dvdeds2**  
**SjbFin1 & SjbFin2**

Derived from SJDAMt to give a weekly amount - (SJDAMt - Subsidiary job: How much was deducted for this deduction?)  
LCF code for an "other deduction" from pay.  
*K5115 "Superannuation deduction - subsidiary employee job"*

## B321 – Bonus amount included in usual net pay

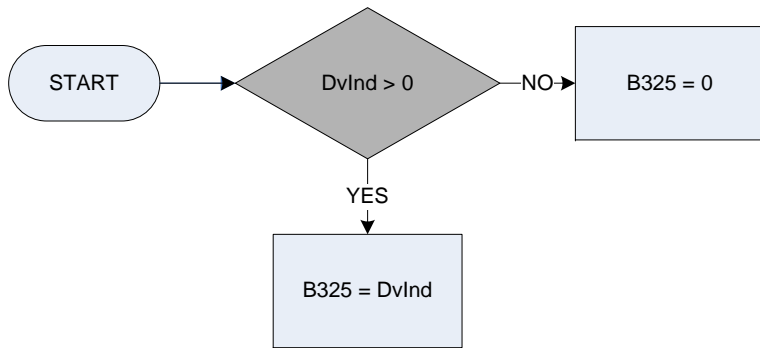


### KEY

**DvBonu**

Derived from BonUPAmt to give a weekly amount - (*BonUPAmt - Pay: How much bonus/commission is included?*)

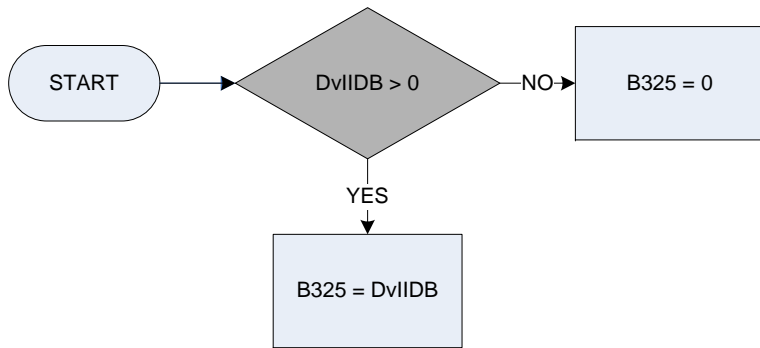
**B325 – Industrial injury disablement benefit – last amount (for cases January - June 2013)**



**KEY**

**DvInd** Derived variable for Industrial Injury Benefit - (*DvInd – Benefits: What was the last amount received?*)

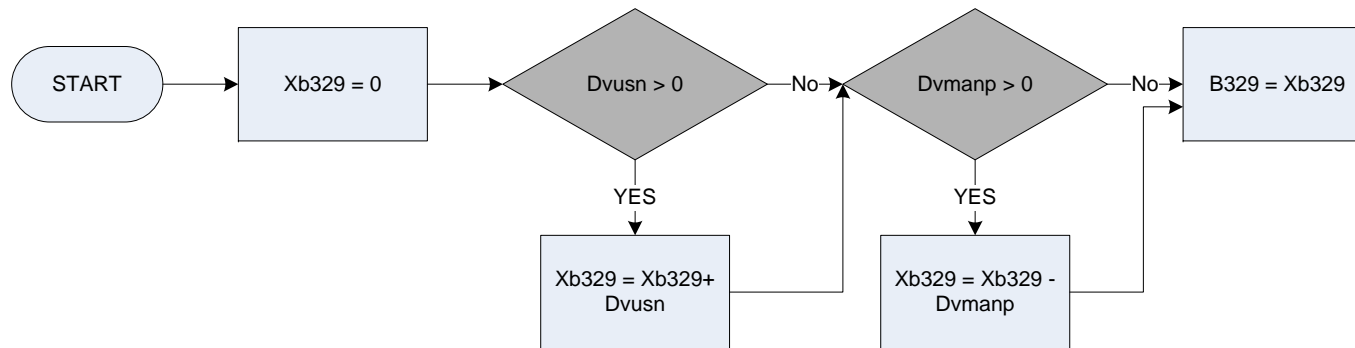
**B325 – Industrial injury disablement benefit – last amount (for cases from July 2013)**



**KEY**

**DvIIDB** Derived from response to Benamt to give a weekly amount for Industrial Injury Benefit (*Benamt: How much did the respondent get last time for this benefit?*)

## B329 – Usual net pay - employee

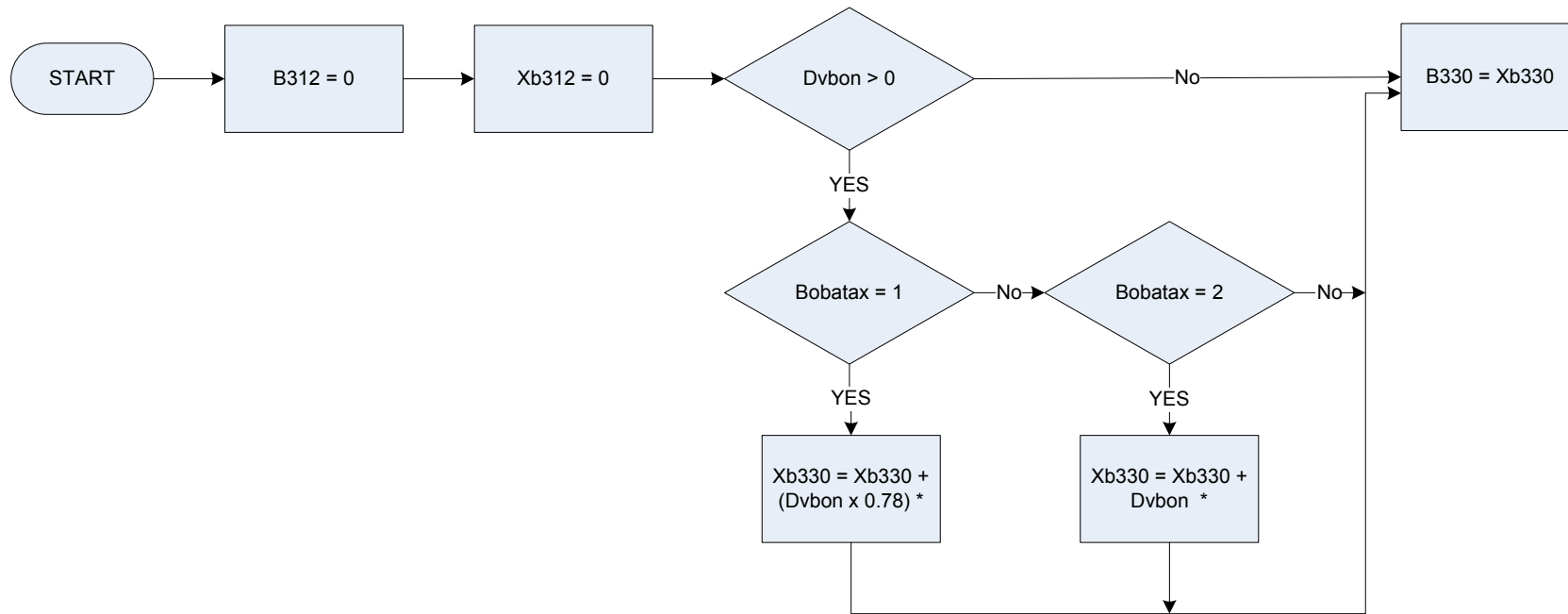


### KEY

**Dvmanp**  
**Dvusn**  
**Xb329**

Derived from MalinNP to give a weekly amount - (*MalinNP* - usual motoring allowance Pay: How much is included, usually?)  
Derived from UsNetPay to give a weekly amount - (*UsNetPay* - usual NET pay: amount paid each time AFTER all deductions)  
Temporary Variable

## B330 – Bonus earnings - net amount

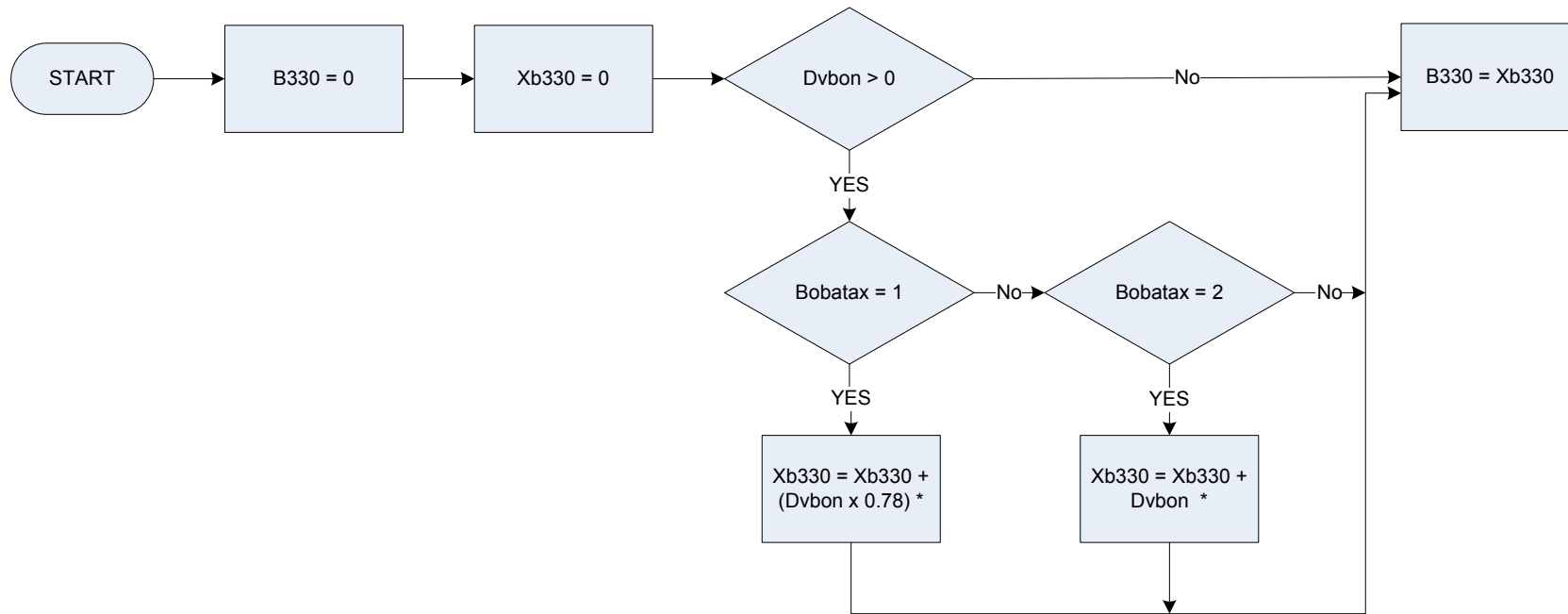


### KEY

\*If a respondent has indicated they have more than one bonus then these are both included in the total amount for B330.  
 If respondent has stated at Bobatax that the Bonus earnings received were 'before tax', this value is multiplied by 0.78 to give a net amount

<b>Bobatax</b>	Was this amount before/after tax?
<b>1</b>	"before tax"
<b>2</b>	"after tax"
<b>Dvbon</b>	Derived from BonAm: How much was this bonus?
<b>Xb330</b>	Temporary variable used in calculations: Bonus earnings - net amount

## B330 – Bonus earnings - net amount



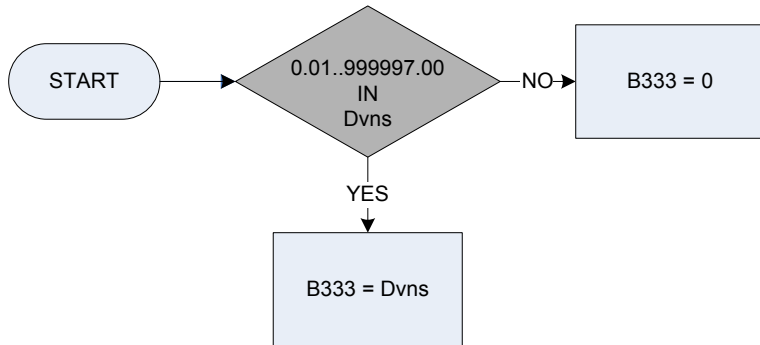
### KEY

\*If a respondent has indicated they have more than one bonus then these are both included in the total amount for B330.

**Bobatax** Was this amount before/after tax?  
**1** "before tax"  
**2** "after tax"

**Dvbon** Derived from BonAm to give a weekly amount - (BonAm - Pay: How much was this bonus?)  
**Xb330** Temporary variable used in calculations: Bonus earnings - net amount

## B333 – National savings investment account – interest received



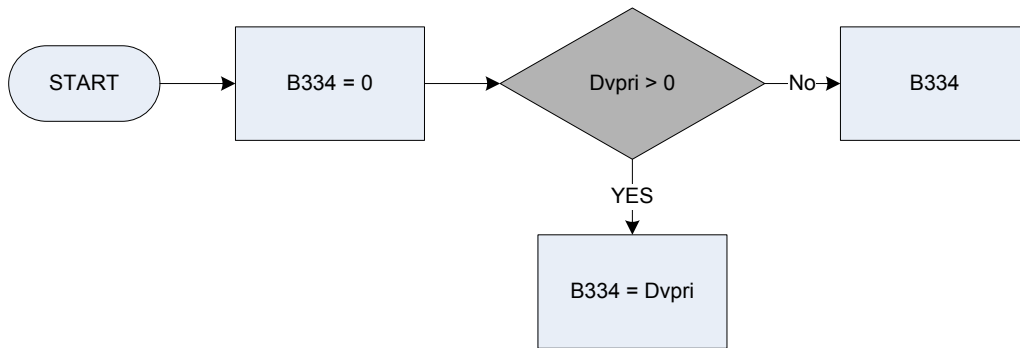
### KEY

**Dvns**

Derived from NSAMT to give a weekly amount – (NSAMT - National Savings Account: What was the total interest over the last 12 months?)



## B334 – Money sent abroad - amount

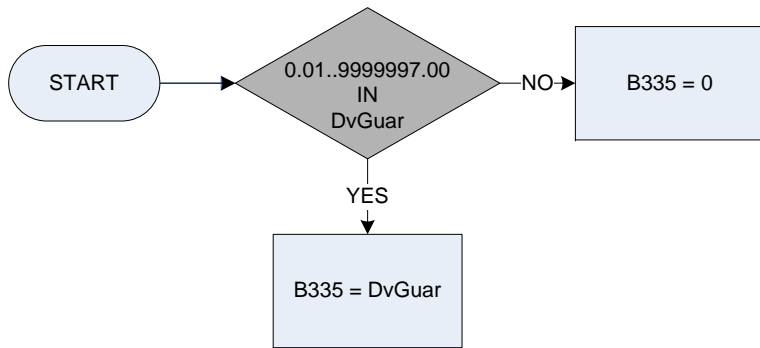


### KEY

**Dvpri**

Derived from CashAmt to give a weekly amount – (*CashAmt – Money Sent: Amount sent to a private individual or charity in the last 12 months?*)

**B335 – Guardians allowance – amount received (for cases January - June 2013)**

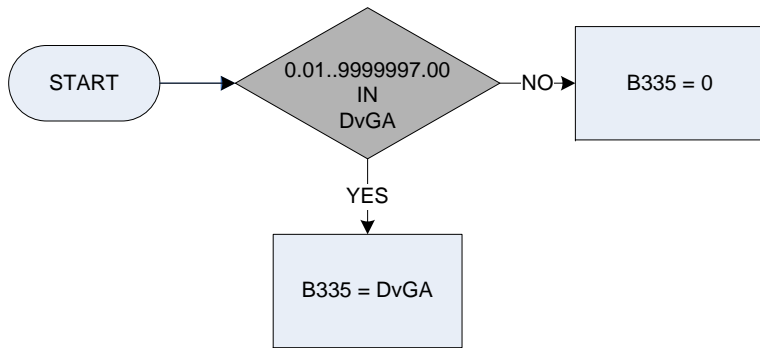


**KEY**

**DvGuar**

Derived variable for guardian's allowance to give a weekly amount - (*DvGuar -Benefits: What was the amount received?*)

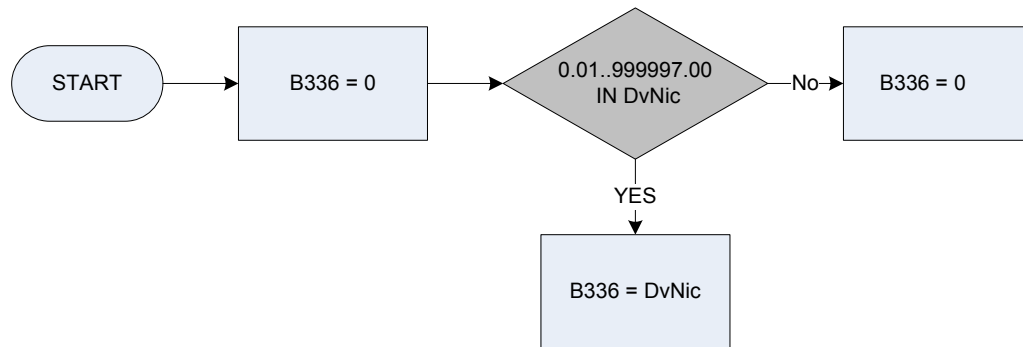
**B335 – Guardian’s allowance – amount received (for cases from July 2013)**



**KEY**

**DvGA** Derived from response to Benamt to give a weekly amount for Guardian's allowance (*Benamt: How much did the respondent get last time for this benefit?*)

## B336 – NI contributions - amount paid

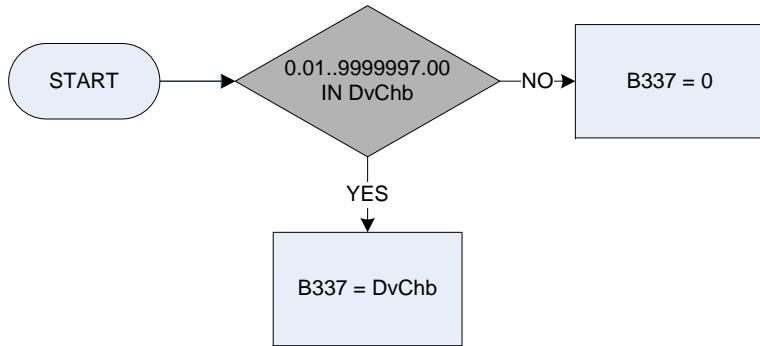


### KEY

**DvNic**

Derived from Nicontam to give a weekly amount – (*Nicontam – National Insurance: How much was the last contribution the respondent paid?*)

**B337 – Child benefit last amount received (for cases January - June 2013)**

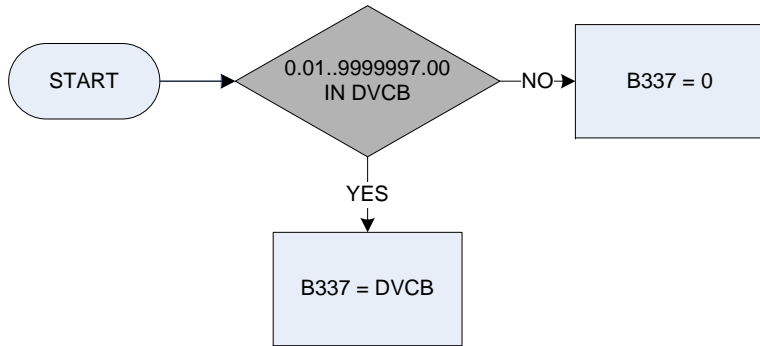


**KEY**

**DvChb**

DV for Child Benefit

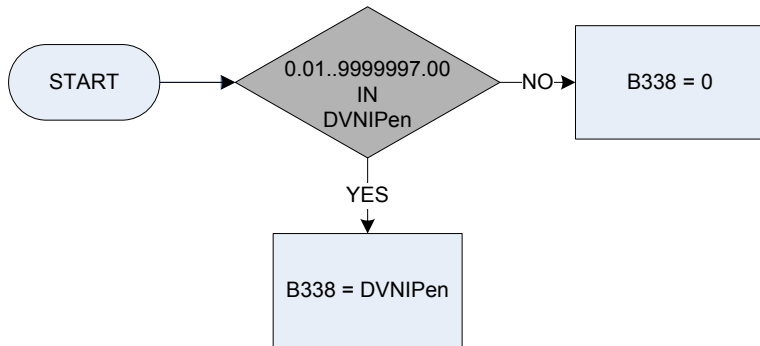
**B337 – Child benefit last amount received (for cases from July 2013)**



**KEY**

**DVCB** Derived from response to Benamt to give weekly amount for Child Benefit (*Benamt: How much did the respondent get last time for this benefit?*)

**B338 – Retirement pension (National Insurance) (for cases January - June 2013)**

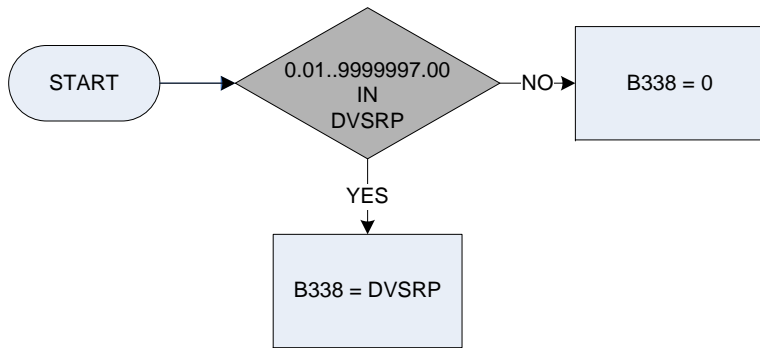


**KEY**

**DVNIPen**

Derived Variable for retirement pension - (DVNIPen - National Insurance: for retirement pension – how much was received?)

**B338 – State retirement pension – last amount received (for cases from July 2013)**



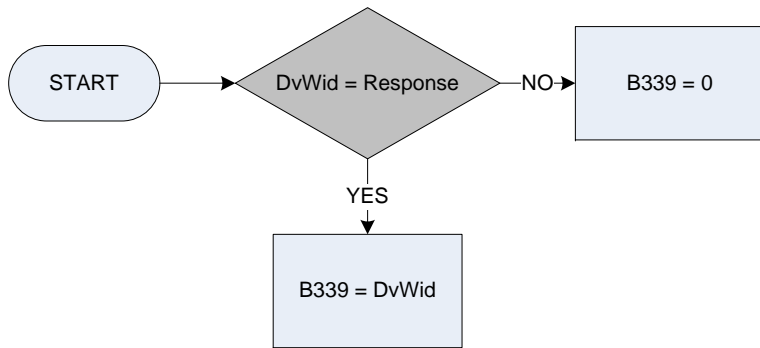
**KEY**

**DVSRP**

Derived from response to Benamt to give weekly amount for State retirement pension (*Benamt: How much did the respondent get last time for this benefit?*)



**B339 – NI widows benefit - amount of last payment (for cases January - June 2013)**

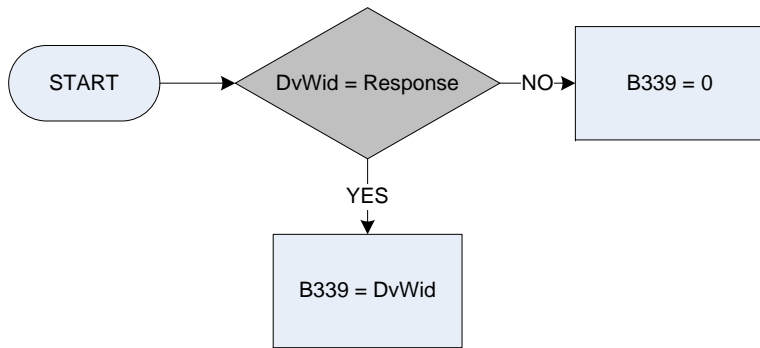


**KEY**

**DVWid**

Derived Variable for N.I. widows benefit – (DVWid – NI Widows benefit: What was the amount of the last payment?)

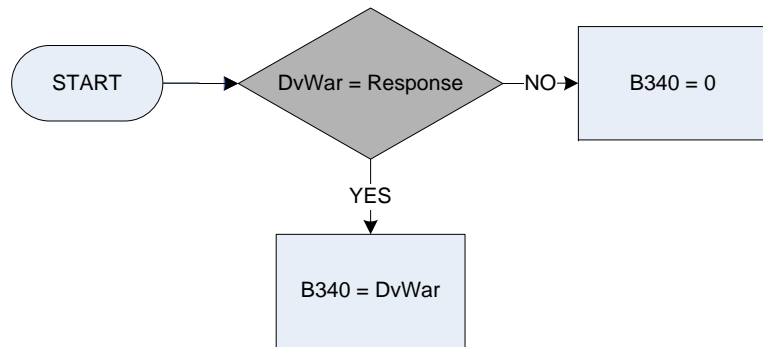
**B339 – Widow's Pension, Bereavement Allowance, Widowed Parent's Allowance - amount of last payment (for cases from July 2013)**



**KEY**

**DVWid** Derived from response to Benamt to give a weekly amount for widow's pension, bereavement allowance and widowed parent's allowance  
(Benamt: How much did the respondent get last time for this benefit?)

**B340 – War disability pension | Widows pension - amount received (for cases January - June 2013)**

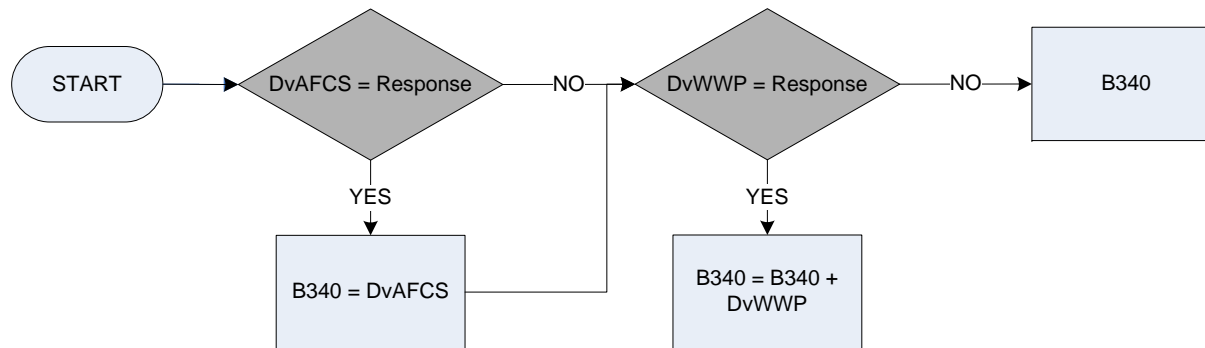


**KEY**

**DvWar**

Derived Variable for war disablement pension - (*DvWar – Benefit: How much was received?*)

## B340 – Armed Forces Compensation Scheme | War widow's Pension - amount received (for cases from July 2013)

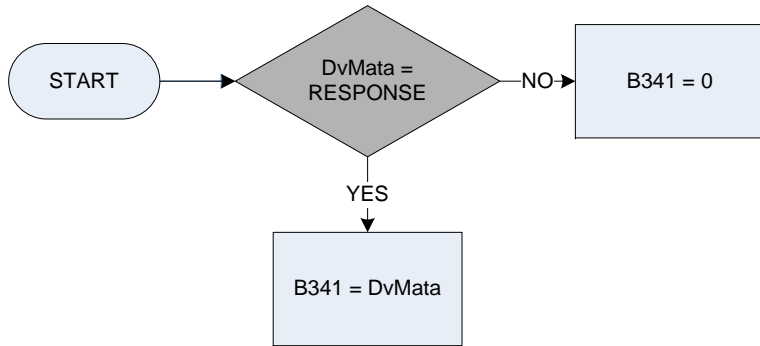


### KEY

**DvAFCS**  
**DvWWP**

Derived from response to Benamt to give a weekly amount for Armed Forces Compensation Scheme (*Benamt: How much did the respondent get last time for this benefit?*)  
Derived from response to Benamt to give a weekly amount for War Widows' Pension Scheme (*Benamt: How much did the respondent get last time for this benefit?*)

**B341 – Maternity allowance – amount received (for cases January - June 2013)**

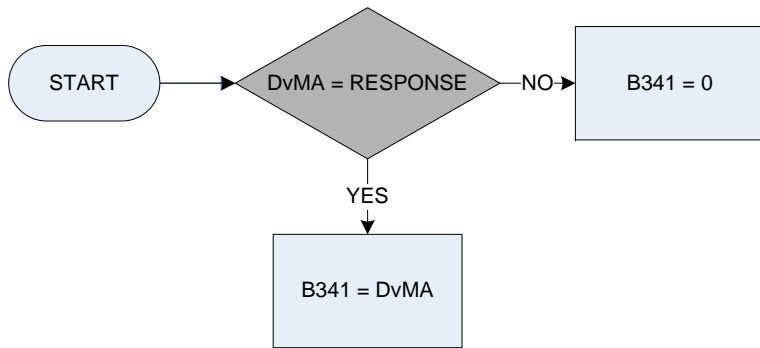


**KEY**

**DvMata**

Derived Variable for Maternity allowance (*DvMata – Benefit: How much was received?*)

**B341 – Maternity allowance – amount received (for cases from July 2013)**

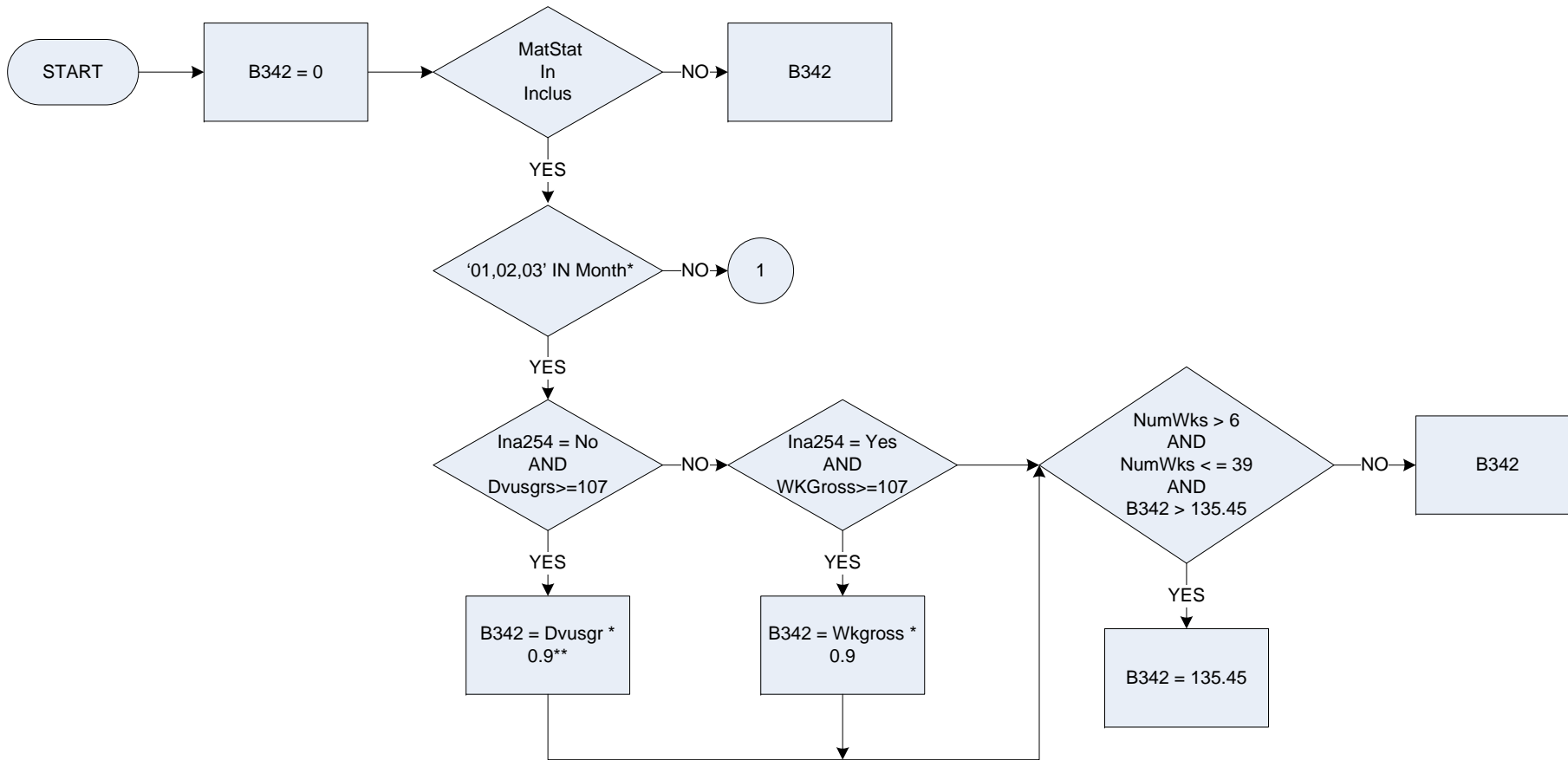


**KEY**

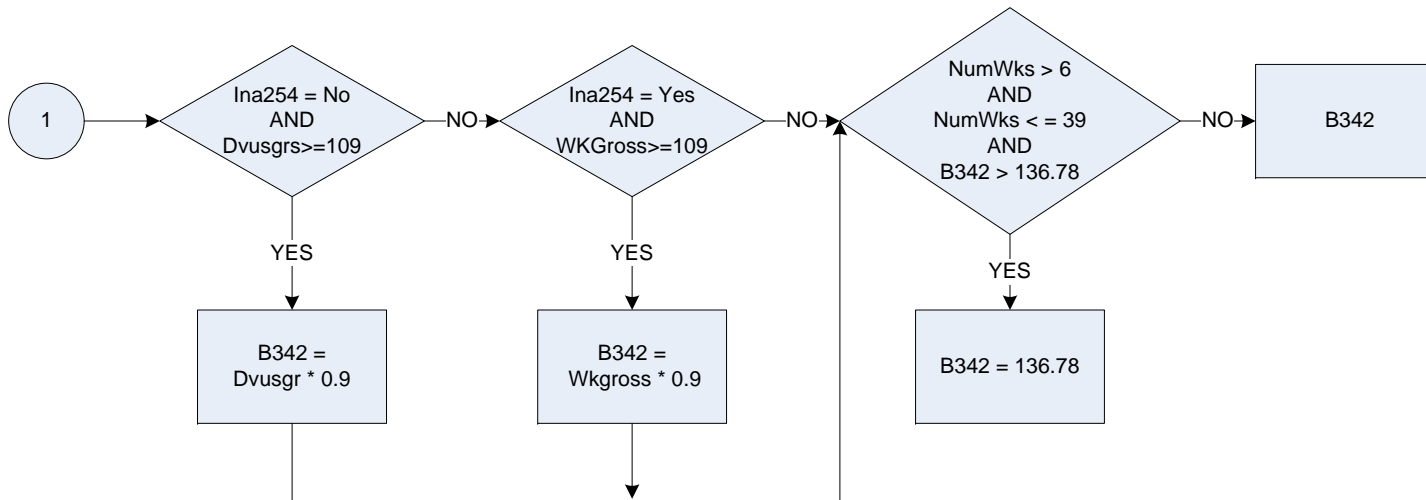
**DvMA**

Derived from response to Benamt to give a weekly amount for Maternity allowance (*Benamt: How much did the respondent get last time for this benefit?*)

# B342 - Statutory maternity pay - amount received



## B342 - Statutory maternity pay - amount received



### KEY

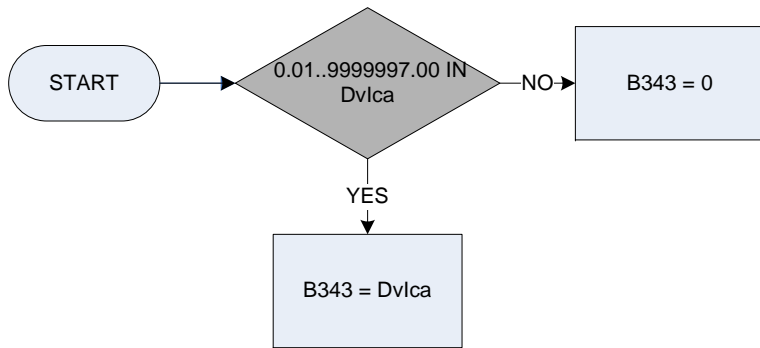
\* Respondents in January, February and March samples are routed differently due to the changes made for the new financial year

\*\* To calculate amount of Statutory Maternity Pay, the respondent's income is multiplied by 0.9, as Statutory Maternity Pay is 90% of income

<b>Dvusgr</b>	Derived from UsGroPay – (UsGroPay – Pay: What does/did the respondent usually receive each time they are/were paid, BEFORE all deductions?)
<b>Ina254</b>	Was the last take home pay the amount the respondent usually receives?
	<b>1</b> Yes
	<b>2</b> No
	<b>3</b> No usual amount
<b>Inclus</b>	Did the respondent's last wage/salary include any of these items?
	<b>StatSick</b> Statutory Sick Pay
	<b>MatStat</b> Statutory Maternity Pay
	<b>PatStat</b> Statutory Paternity Pay
	<b>AdopStat</b> Statutory Adoption Pay
	<b>TaxRefnd</b> Income Tax Refund
	<b>MileAllw</b> Mileage Allowance or fixed allowance for motoring
	<b>MotExpen</b> Motoring Expenses Refund
	<b>None</b> None of these
<b>Month</b>	Sample month
<b>NumWks</b>	Number of weeks in the last 12 months Statutory Maternity Pay was received by respondent
<b>WkGross</b>	Weekly gross pay received



**B343 – Invalid care allowance – amount received (for cases January - June 2013)**

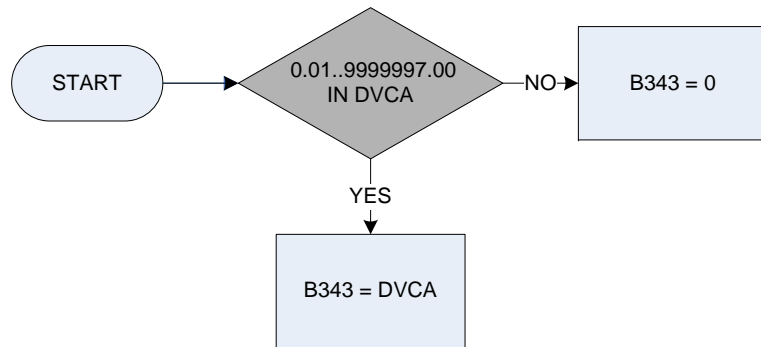


**KEY**

**Dvlca**

Derived Variable for invalidity care allowance – (*Dvlca – Benefits: How much was received?*)

## B343 – Carers allowance – amount received (for cases from July 2013)

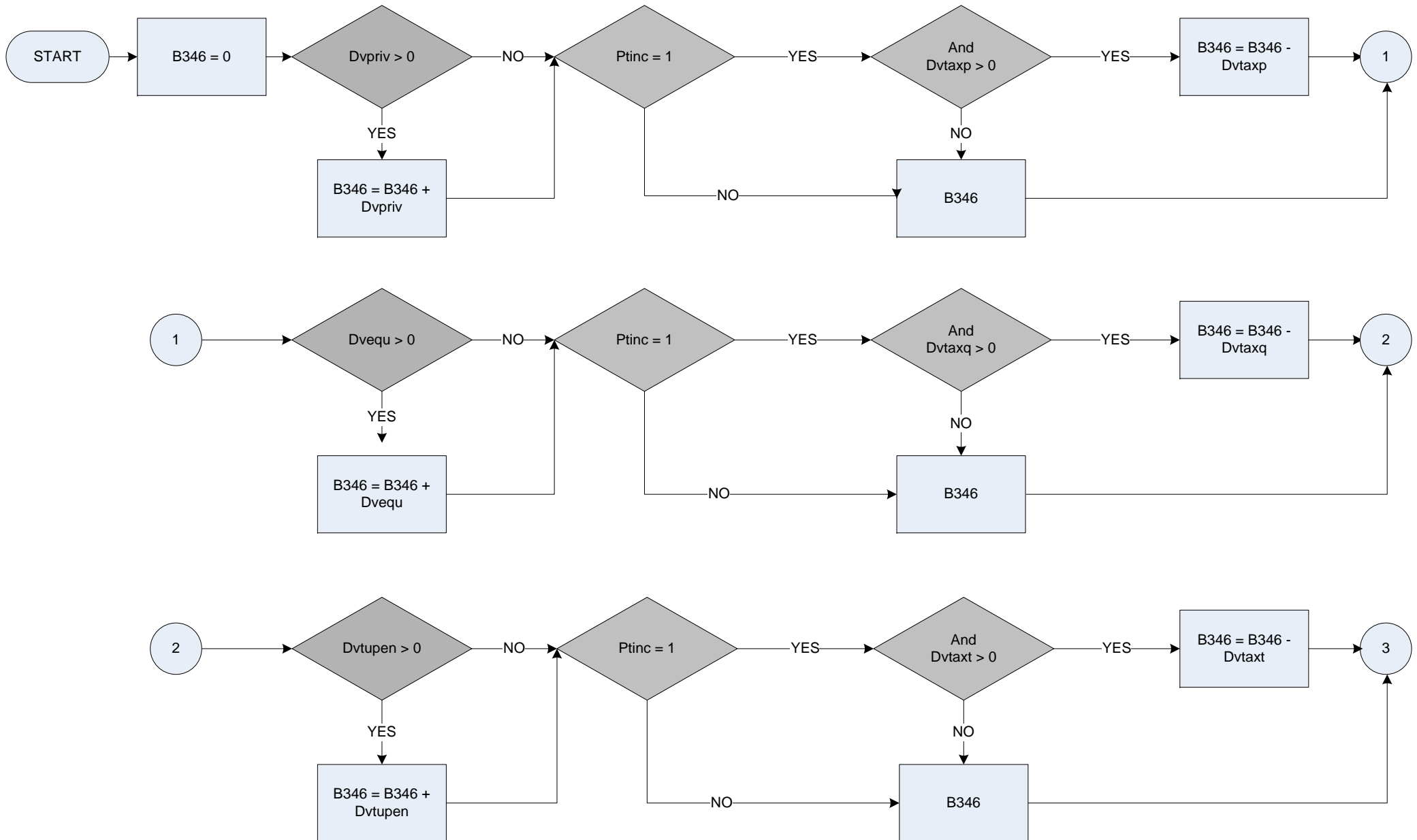


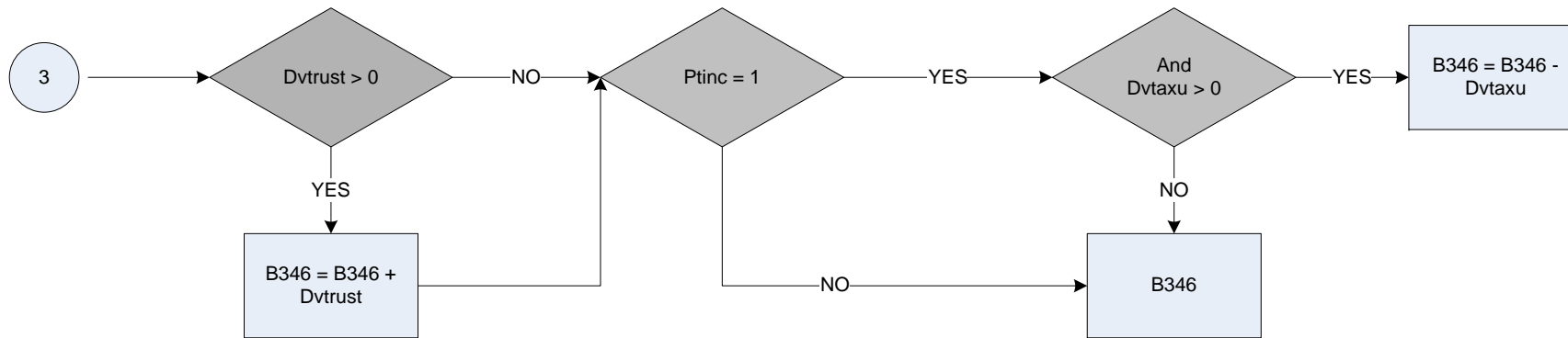
### KEY

**DVCA**

Derived from response to Benamt to give a weekly amount for Carers allowance (*Benamt: How much did the respondent get last time for this benefit?*)

## B346 – Annuity/trust/covenant – last net payment

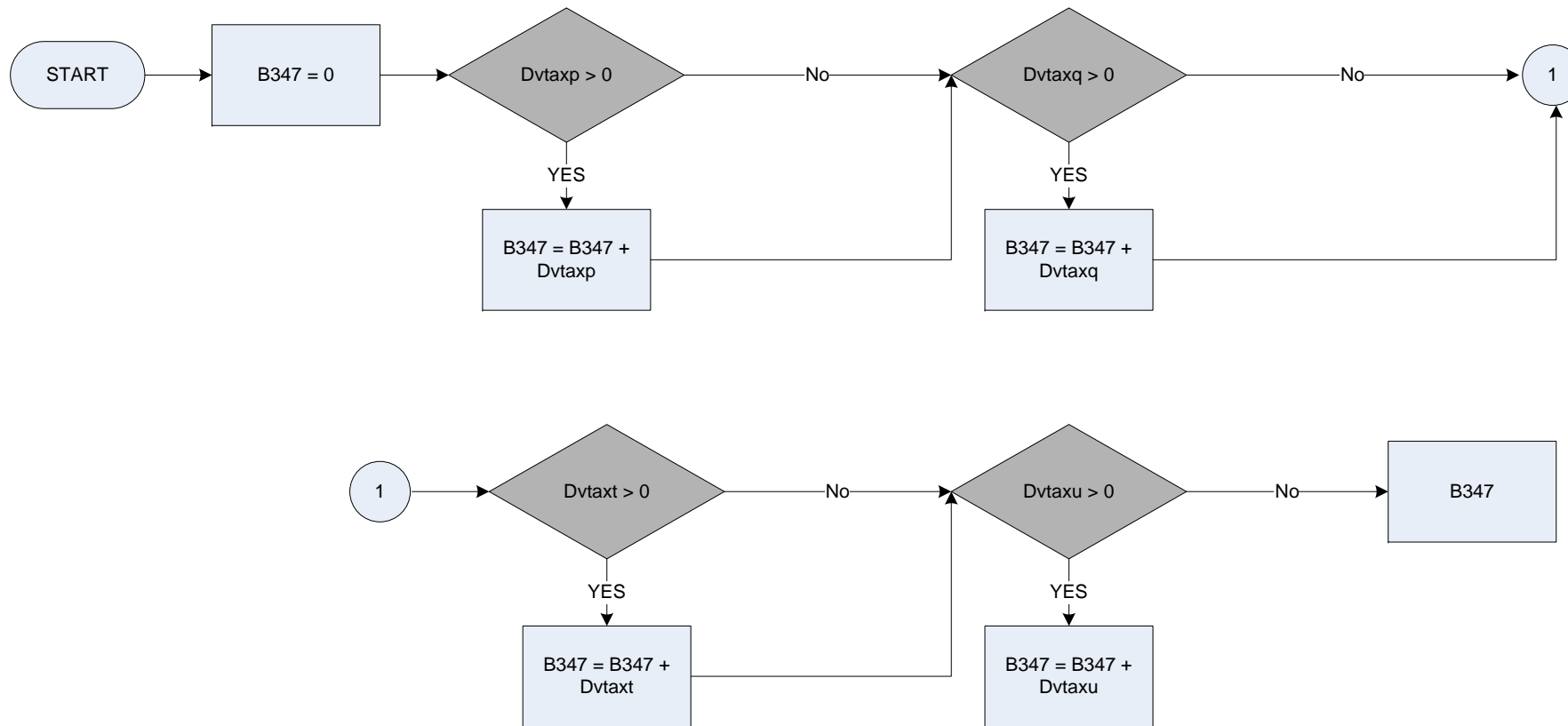




**KEY**

Dvpriv	Derived from INCAMT - Pensions: How much did you receive last time? DV for personal private pensions
Dvequ	Derived from INCAMT - Pensions: How much did you receive last time? DV for annuity/equity release plan
Dvtupen	Derived from INCAMT - Pensions: How much did you receive last time? DV for trade union/ friendly society pension
Dvtrust	Derived from INCAMT - Pensions: How much did you receive last time? DV for trust income
Dvtaxp	Derived from TAXAMT - Pensions: How much tax was deducted? DV for personal private pensions
Dvtaxq	Derived from TAXAMT - Pensions: How much tax was deducted? DV for annuity/equity release plan
Dvtaxt	Derived from TAXAMT - Pensions: How much tax was deducted? DV for trade union/ friendly society pension
Dvtaxu	Derived from TAXAMT - Pensions: How much tax was deducted? DV for trust income
Ptinc	Last payment before tax deducted

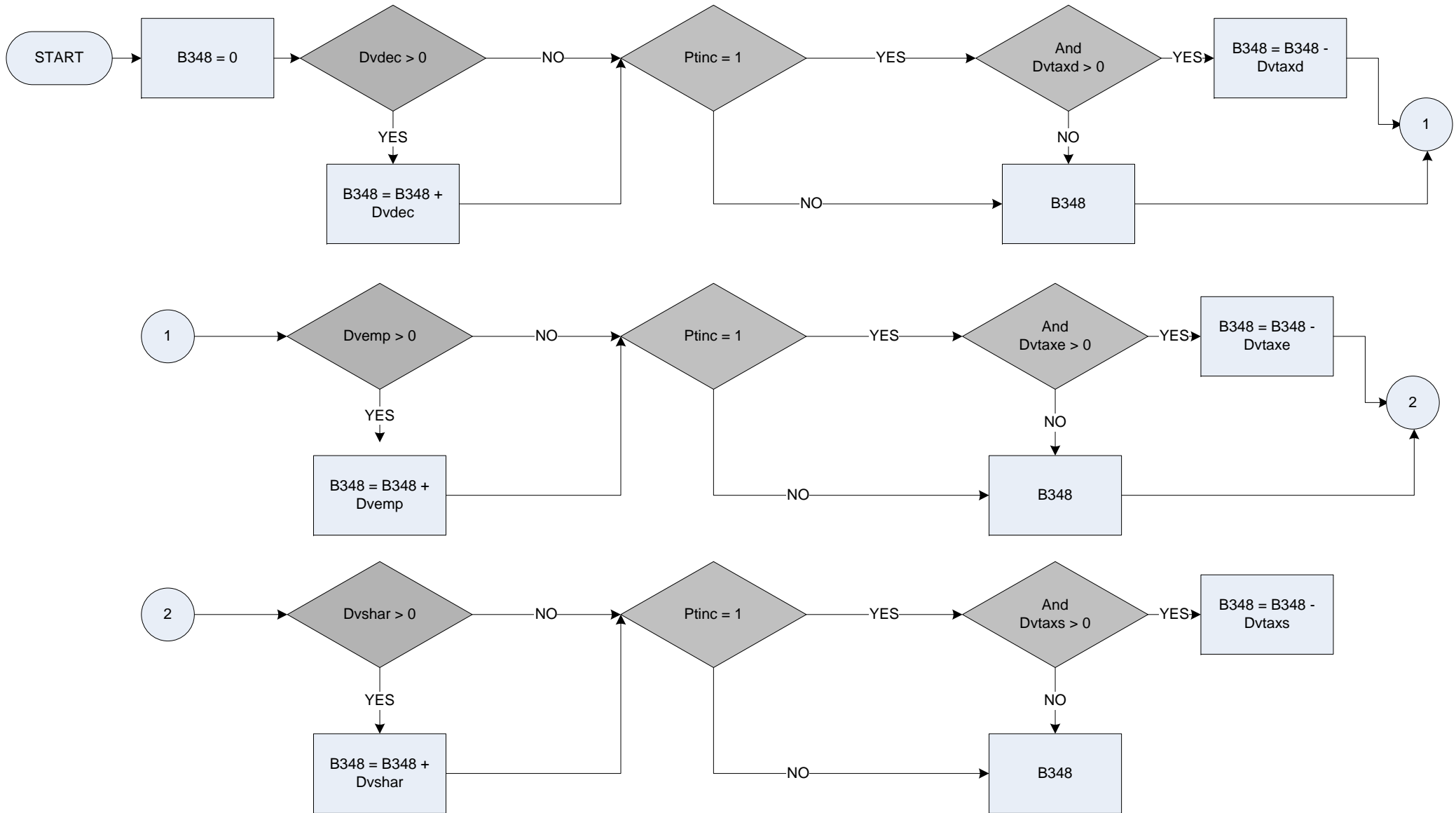
## B347 – Annuity/trust/covenant – amount tax deducted



### KEY

- Dvtaxp** Derived from TaxAmt – Pensions: How much tax was deducted? Dv for weekly private personal pension  
**Dvtaxq** Derived from TaxAmt - Pensions: How much tax was deducted? Dv for weekly annuity/equity release  
**Dvtaxt** Derived from TaxAmt - Pensions: How much tax was deducted? Dv for weekly trade union/friendly society  
**Dvtaxu** Derived from TaxAmt - Pensions: How much tax was deducted? Dv for weekly trust income

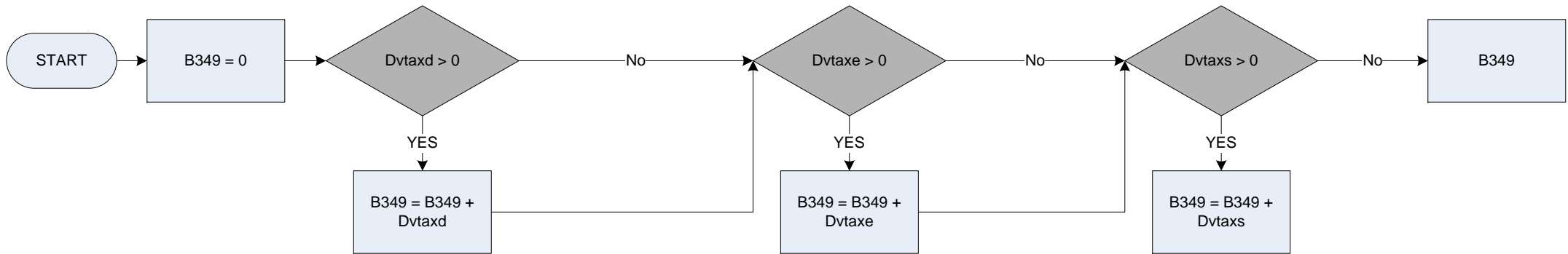
## B348 – Pension (public/private) last net payment



### KEY

**Dvdec** Derived from INCAMT - Pensions: How much did you receive last time? DV for deceased partner/relative  
**Dvemp** Derived from INCAMT - Pensions: How much did you receive last time? DV for previous employer  
**Dvshar** Derived from INCAMT - Pensions: How much did you receive last time? DV for court order/settlement  
**Dvtaxd** Derived from TAXAMT - Pensions: How much tax was deducted? DV for deceased partner/relative  
**Dvtaxe** Derived from TAXAMT - Pensions: How much tax was deducted? DV for previous employer  
**Dvtaxs** Derived from TAXAMT - Pensions: How much tax was deducted? DV for court order/settlement  
**Ptinc** Last payment before tax deducted

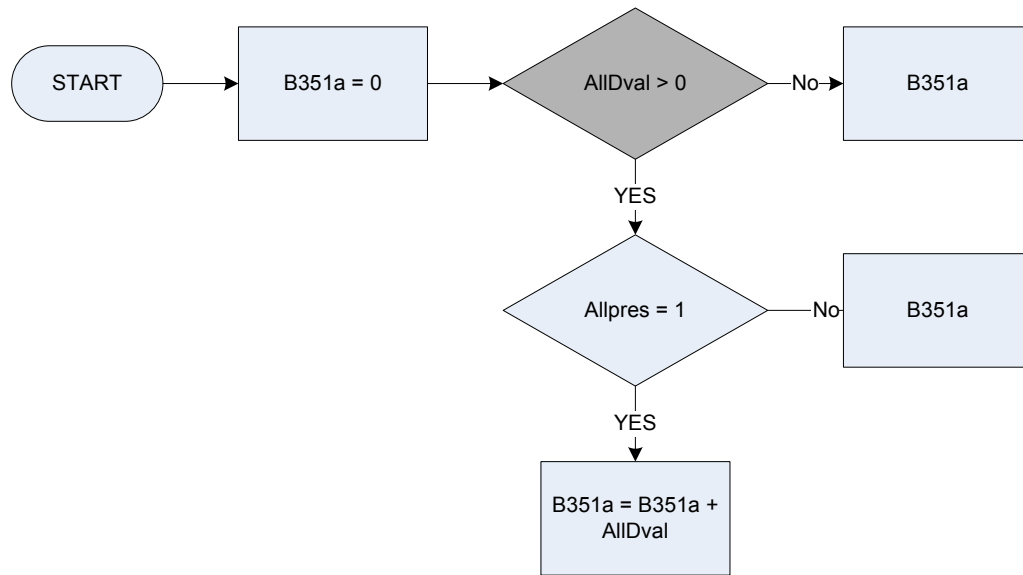
## B349 – Pension (public/private) amount tax deducted



### KEY

**Dvtaxd** Derived from TaxAmt – Pensions: How much tax was deducted? Dv for weekly deceased partner/relative pension  
**Dvtaxe** Derived from TaxAmt - Pensions: How much tax was deducted? Dv for weekly employee pension  
**Dvtaxs** Derived from TaxAmt - Pensions: How much tax was deducted? Dv for weekly court order/settlement

## B351a – Regular allowances from outside household received at present



### KEY

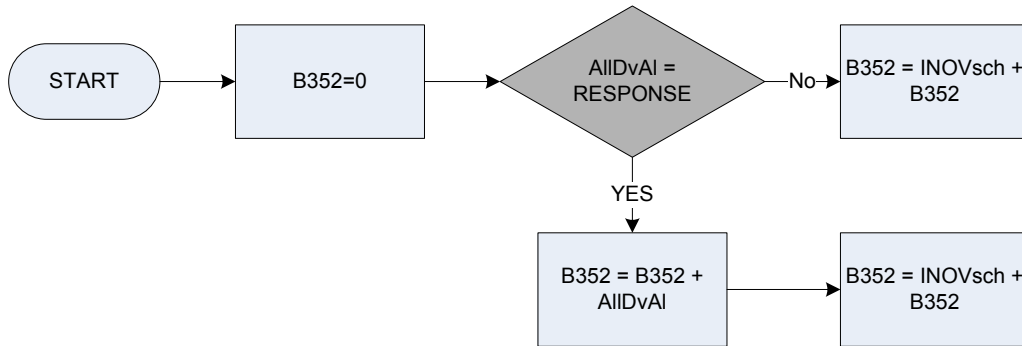
**AllDval**  
**Allpres**

Derived from AllRecAm to give a weekly amount – (*AllRecAm - Allowances: How much did the respondent receive last time?*)  
Is the respondent receiving this allowance at present?

1 Yes  
2 No



## B352 – Regular allowances from outside household: spouse/non spouse

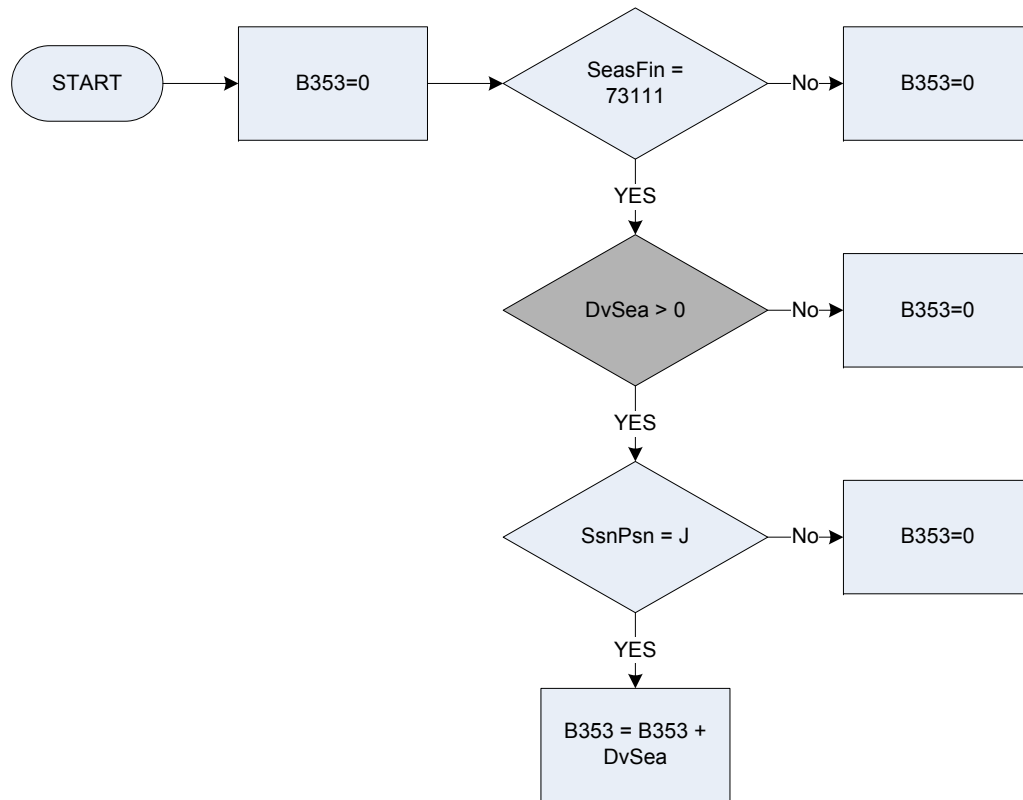


### KEY

**AIIDvAI**  
**INOVSCH**

Derived from AllRecAm to give a weekly amount - (AllRecAm - Allowances: How much did the respondent receive last time?)  
Education grant received from overseas sponsor

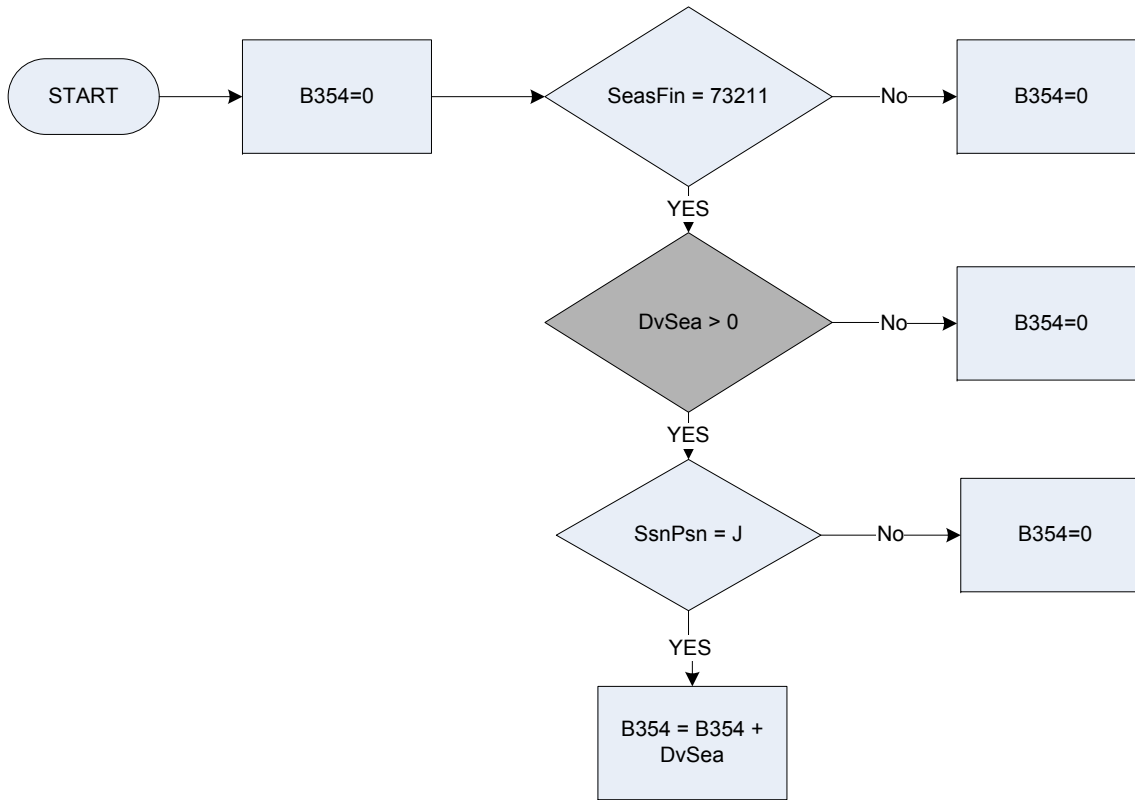
## B353 – Season ticket – rail/tube – total net amount



### KEY

**DvSea** Derived from SeasVal to give a weekly amount – (*SeasVal – Season Ticket: How much was paid for it?*)  
**SeasFin** Expenditure Code  
**SsnPsn** Which person paid for this ticket?

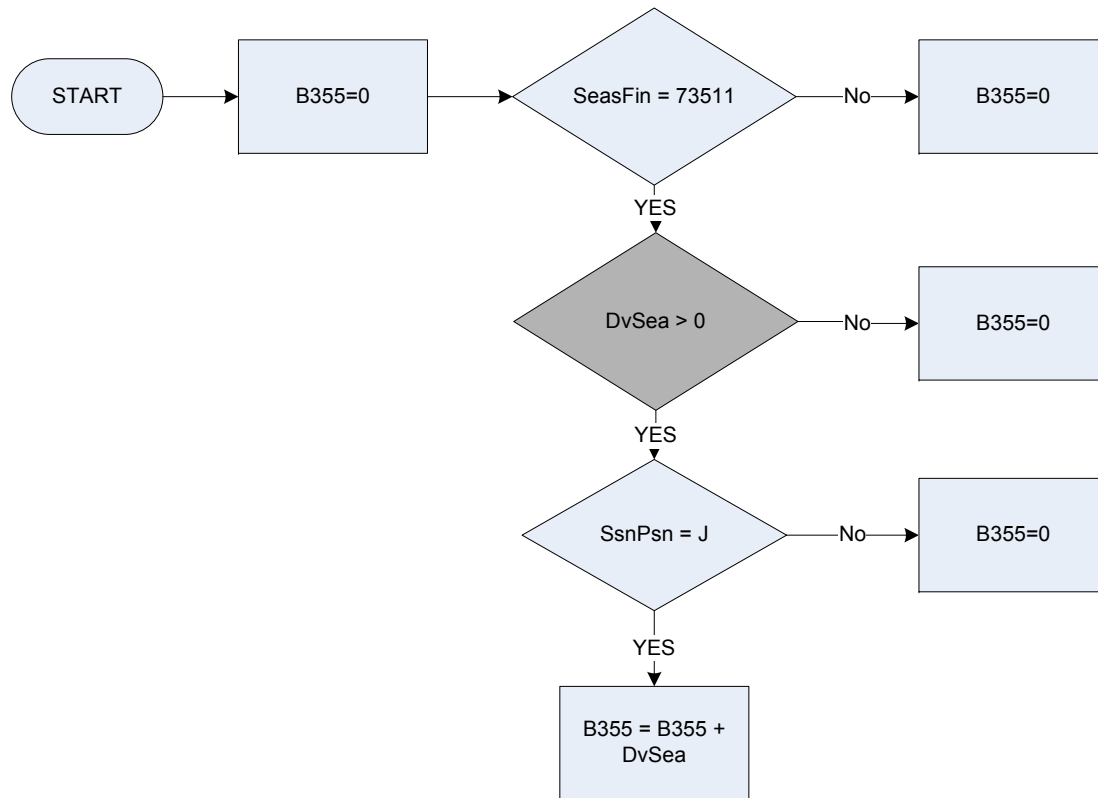
## B354 – Season ticket – bus/coach – total net amount



### KEY

- DvSea** Derived from SeasVal to give a weekly amount – (*SeasVal – Season Ticket: How much did the respondent pay for it?*)
- SeasFin** Season Tickets: Expenditure Code - Bus and coach season tickets
- SsnPsn** Who paid for this ticket?

## B355 – Season ticket – rail/bus – total net amount

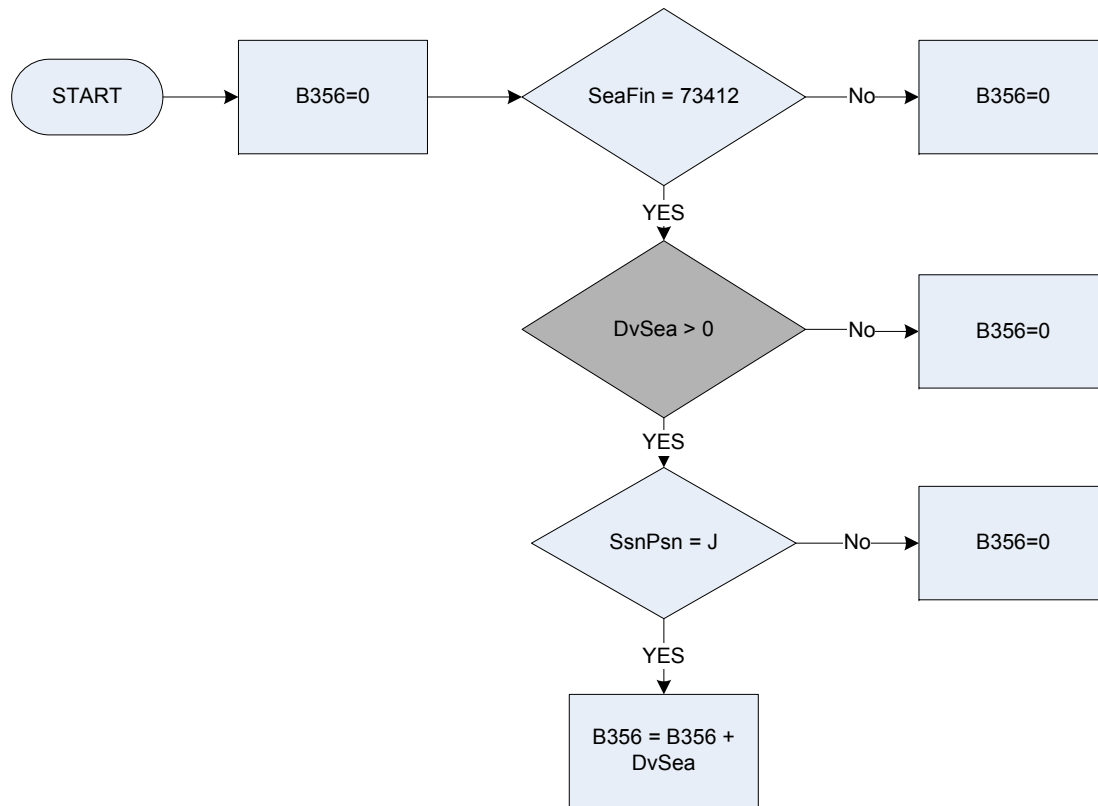


### KEY

**DvSea**  
**SeasFin**  
**SsnPsn**

Derived from SeasVal to give a weekly amount – (SeasVal – Season Ticket: How much did the respondent pay for it?)  
Season Tickets: Expenditure Code- Combined fare season tickets  
Who paid for this ticket?

## B356 – Season ticket – Water travel – total net amount

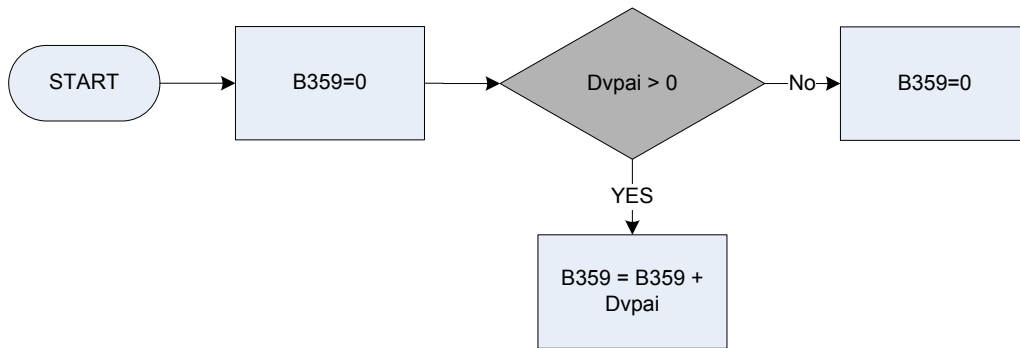


### KEY

**DvSea**  
**SeasFin**  
**SsnPsn**

Derived from SeasVal to give a weekly amount – (SeasVal – Season Tickets: How much did the respondent pay for it?)  
Season Tickets: Expenditure Code - Water travel season tickets  
Season Tickets: Who paid for this ticket?

## B359 – Education grant – amount received in cash

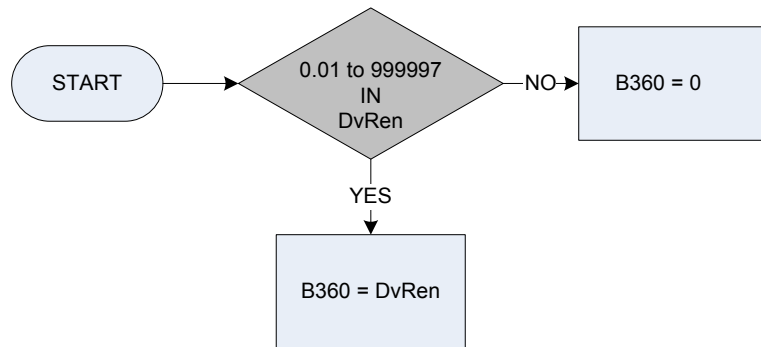


### KEY

**Dvpai**

Derived from PaidDir give a weekly amount – (*PaidDir -Education: How much of the grant is paid direct to [name]?*)

## B360 – Rent from property – amount received

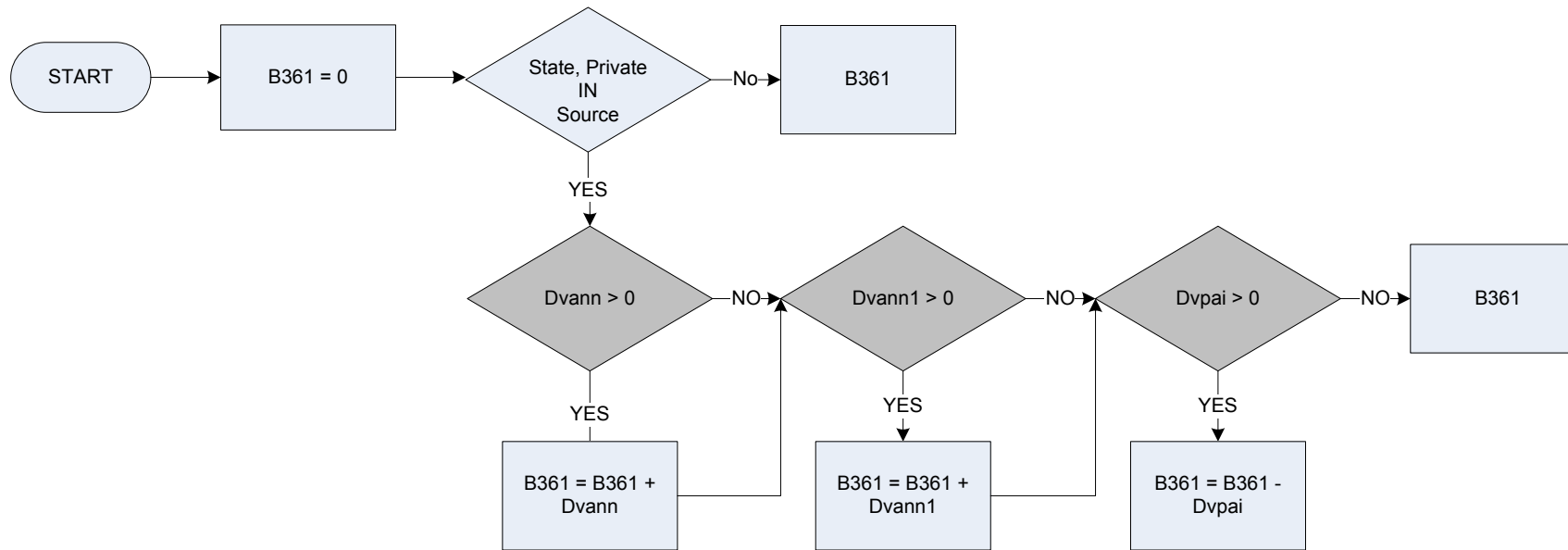


### KEY

**DvRen**

Derived from RenRecAm to give a weekly amount – (*RenRecAm - Other Income: How much did the respondent receive in the last 12 months, before deducting income tax but after deducting all allowable expenses?*)

## B361 – Education grant – total value less cash received

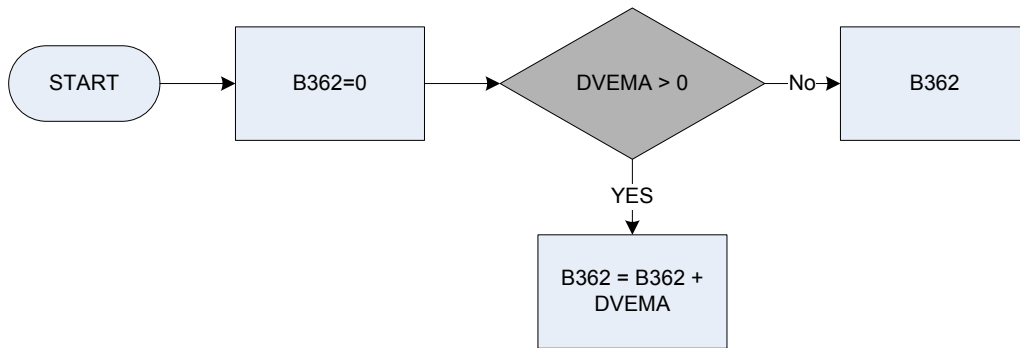


### KEY

**Dvann** Derived from AnnVal to give a weekly amount – (*AnnVal - Education: What is the current annual value of the grant?*)  
**Dvann1** Derived from AnnFees to give a weekly amount – (*AnnFees - Education: What is the current annual value of the grant including fees?*)  
**Dvpai** Derived from PaidDir to give a weekly amount – (*PaidDir - Education: How much of the grant is paid direct to [name]?*)  
**Source** Source of the grant: State, Pension



## B362 – Educational maintenance allowance – amount received

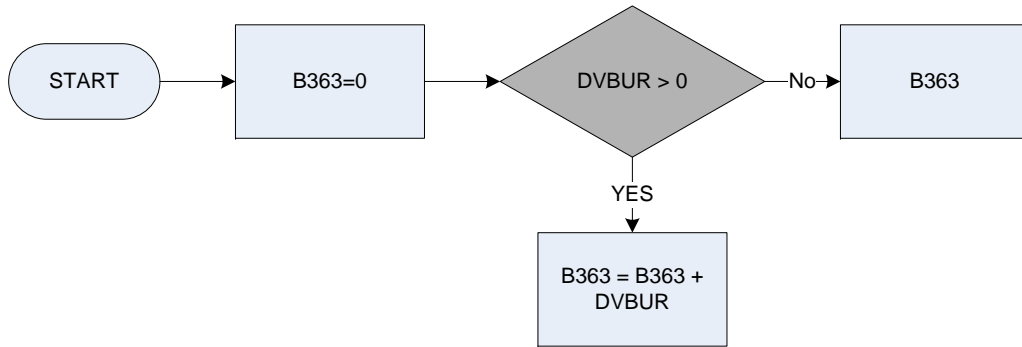


### KEY

**Dvema**

Derived for Educational Maintenance Allowance to give a weekly amount - (*Dvema – What was the amount received?*)

**B363 – 16 - 19 Bursary – amount received**

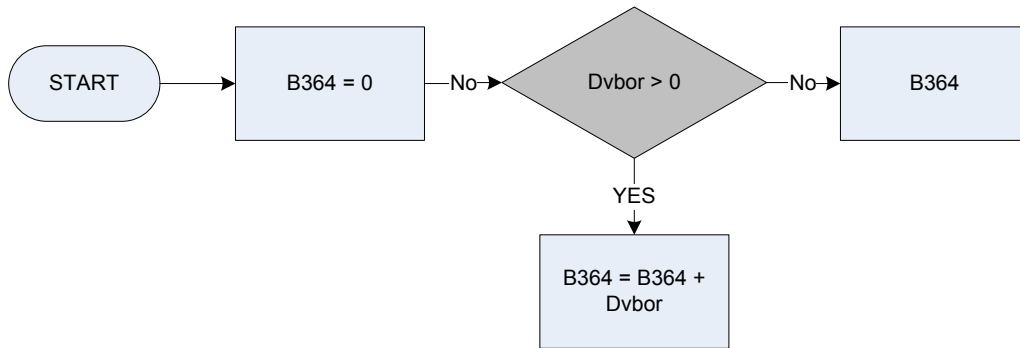


**KEY**

**DVBUR**

Derived from BurAmt to give a weekly amount (*BurAmt: 16-19 Bursary – How much did you receive last time?*)

## B364 – Student top up loan – amount received

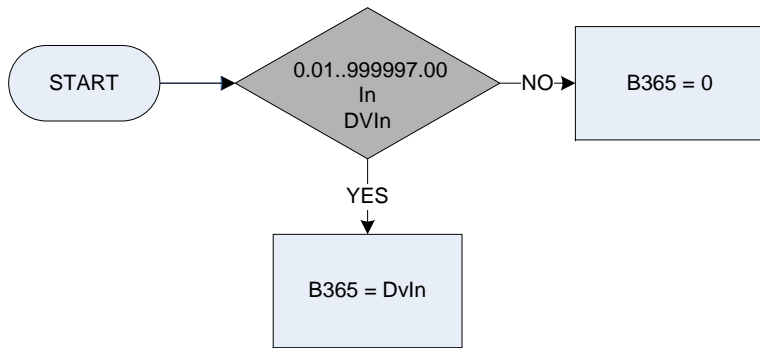


### KEY

**DVbor**

Derived from BorEst to give a weekly amount – (*BorEst - Education: How much altogether will be borrowed during this academic year?*)

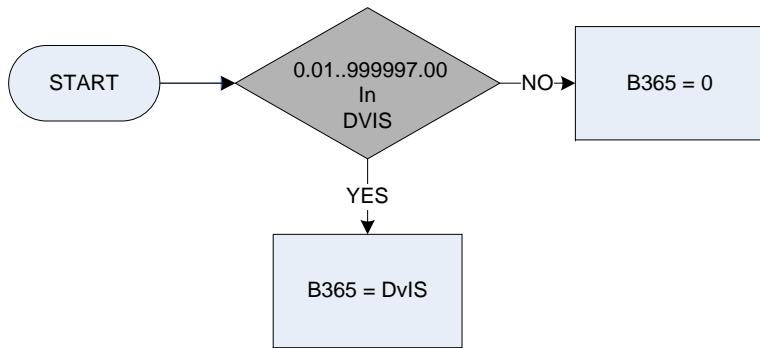
**B365 – Income support – amount received (for cases January - June 2013)**



**KEY**

**DvIn** Derived Variable for income support – (Dvin – Benefit: What was the amount received?)

**B365 – Income support – amount received (for cases from July 2013)**

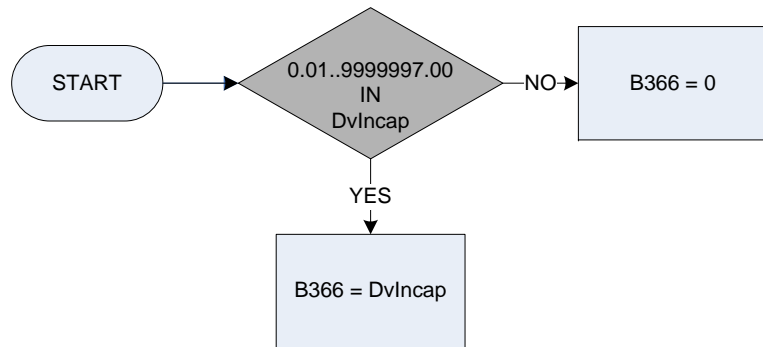


**KEY**

**DvIS**

Derived from response to Benamt to give a weekly amount for income support (*Benamt - How much did the respondent get last time for this benefit?*)

**B366 – Incapacity benefit – amount last received (for cases January - June 2013)**

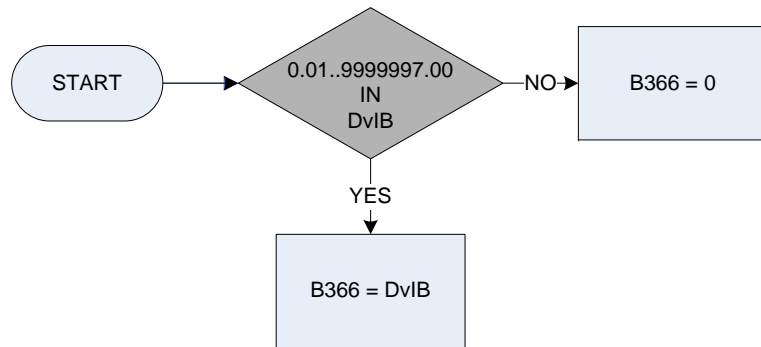


**KEY**

**DvIncap**

Derived Variable for sickness, incapacity or invalidity benefit – (*Dvincap - Benefits: What was the amount received?*)

**B366 – Incapacity benefit – amount last received (for cases from July 2013)**

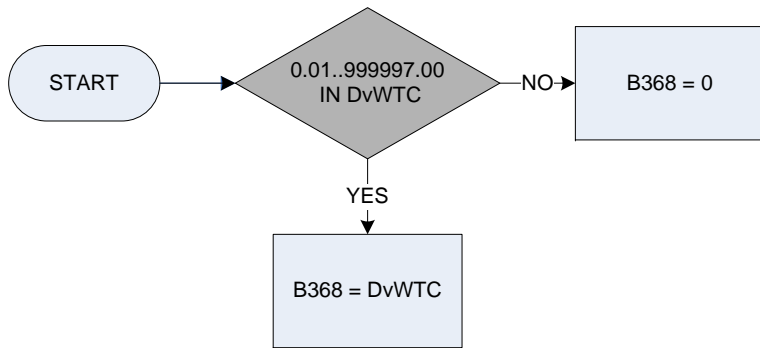


**KEY**

**DvIB**

Derived from response to Benamt to give a weekly amount for sickness, incapacity or invalidity benefit (*Benamt: How much did the respondent get last time for this benefit?*)

**B368 – Working Tax Credit – last amount received (for cases January - June 2013)**



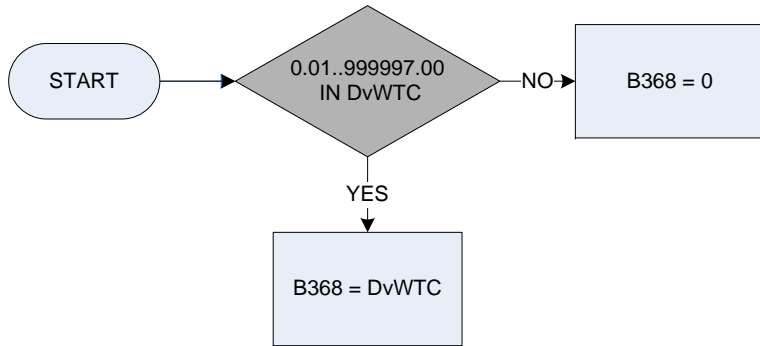
**KEY**

**DvWTC**

Derived from WTCamt to give a weekly figure – (WTCamt - Benefits: How much was included for Working Tax Credit payment?)



**B368 – Working Tax Credit – last amount received (for cases from July 2013)**

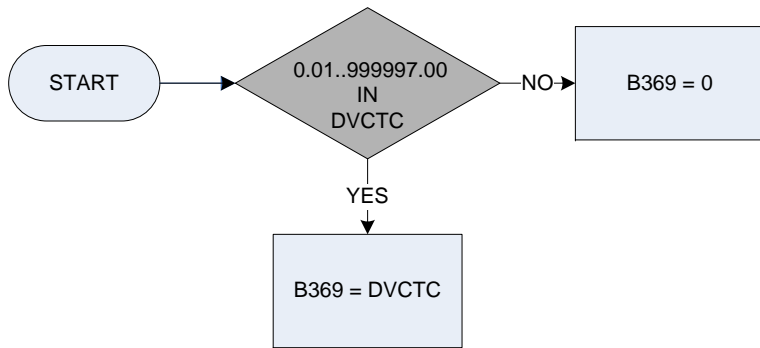


**KEY**

**DvWTC**

Derived from Benamt to give a weekly figure (*Benamt: How much did the respondent get last time for this benefit?*)

**B369 - Child Tax Credit received as a benefit (for cases January - June 2013)**

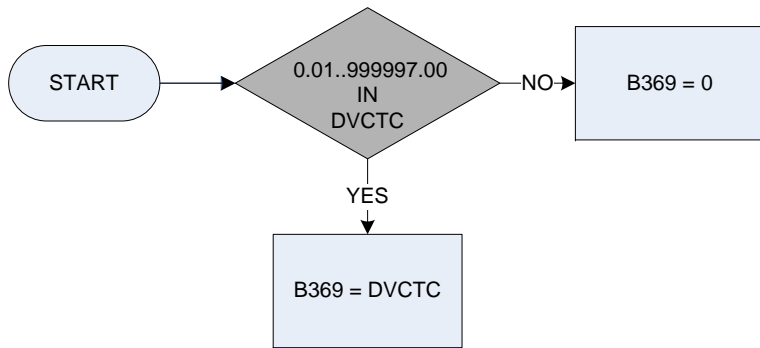


**KEY**

**Dvctc**

Derived from CTCAmt to give a weekly amount – (CTCAmt - Benefits: How much was included for Child Tax Credit payment?)

**B369 - Child Tax Credit received as a benefit (for cases from July 2013)**

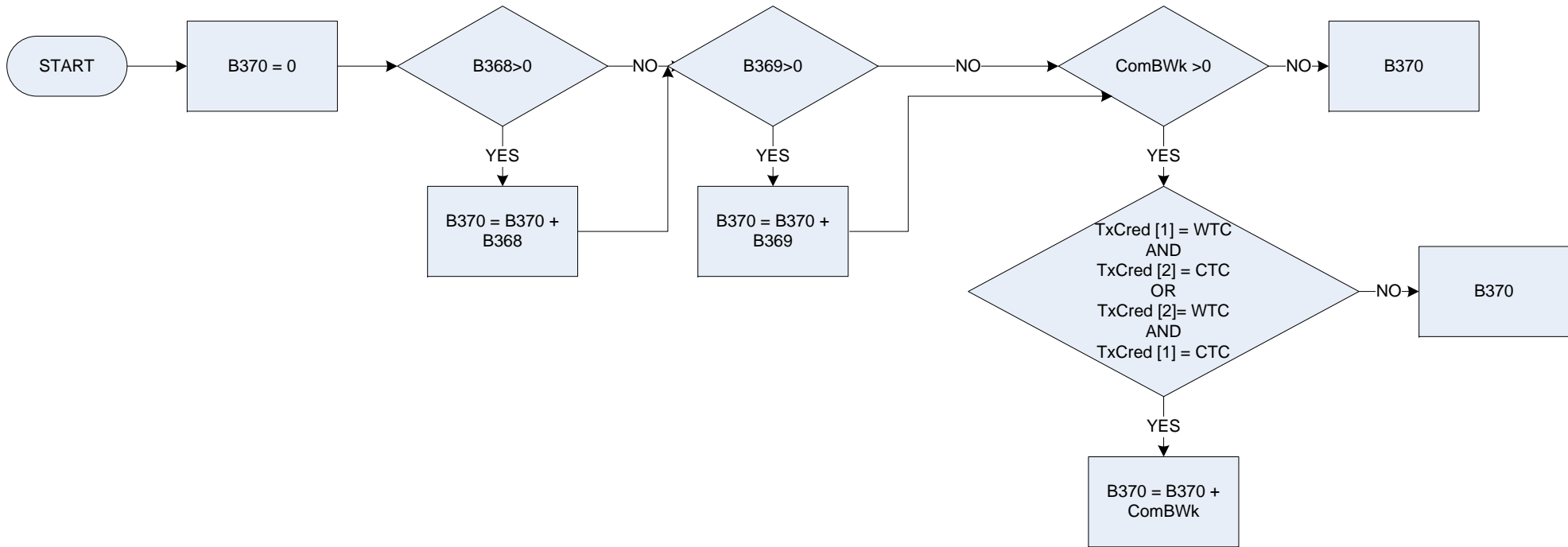


**KEY**

**DVCTC**

Derived from response to Benamt to give a weekly amount – (*Benamt: How much did the respondent get last time for this benefit?*)

## B370 - Tax credits received as benefits (for cases January - June 2013)



### KEY

**B368**

Working Tax Credit -last amount received as a benefit, excludes amounts where CTC and WTC are paid in combination

**B369**

Child tax Credit - last amount received as a benefit, excludes amounts where CTC and WTC are paid in combination

**ComBAm** Amount received last time.

**ComBWk** ComBAm Weekly amount.

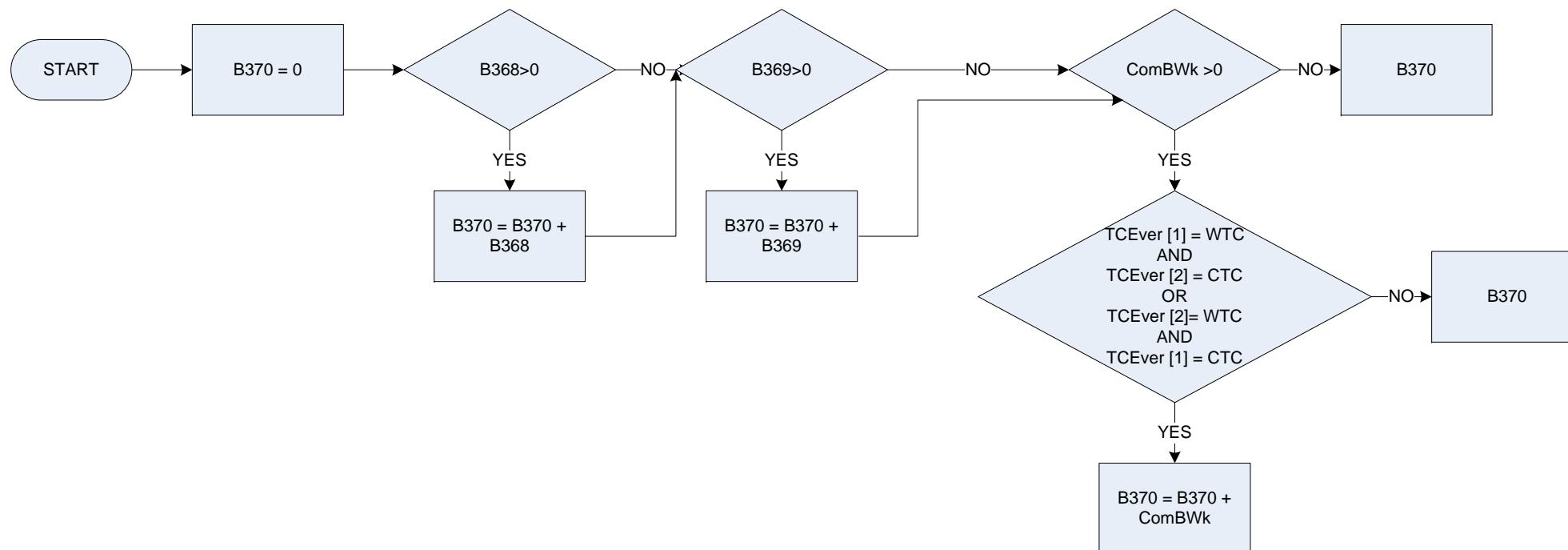
**TxCred** Is the respondent, at present receiving any of these Tax Credit payments, in their own right: include any lump sum payments received in the last six months?

**WTC** Working Tax Credit (excluding any childcare tax credit)

**CTC** Child Tax Credit (including any childcare tax credit)

**None** None of these

## B370 - Tax credits received as benefits (for cases from July 2013)



### KEY

**B368** Working Tax Credit -last amount received as a benefit, excludes amounts where CTC and WTC are paid in combination

**B369** Child tax Credit - last amount received as a benefit, excludes amounts where CTC and WTC are paid in combination

**ComBwK** ComBAm Weekly amount.

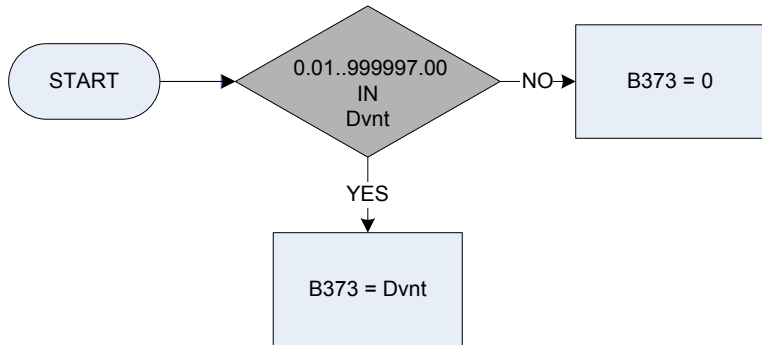
**TCEver** Has the respondent ever received any tax credit payments since April 2003 (when Working Tax Credit and Child Tax Credit were introduced)?

**WTC** Working Tax Credit (excluding any childcare tax credit)

**CTC** Child Tax Credit (including any childcare tax credit)

**None** None of these

**B373 – Nat savings ordinary account – interest received**

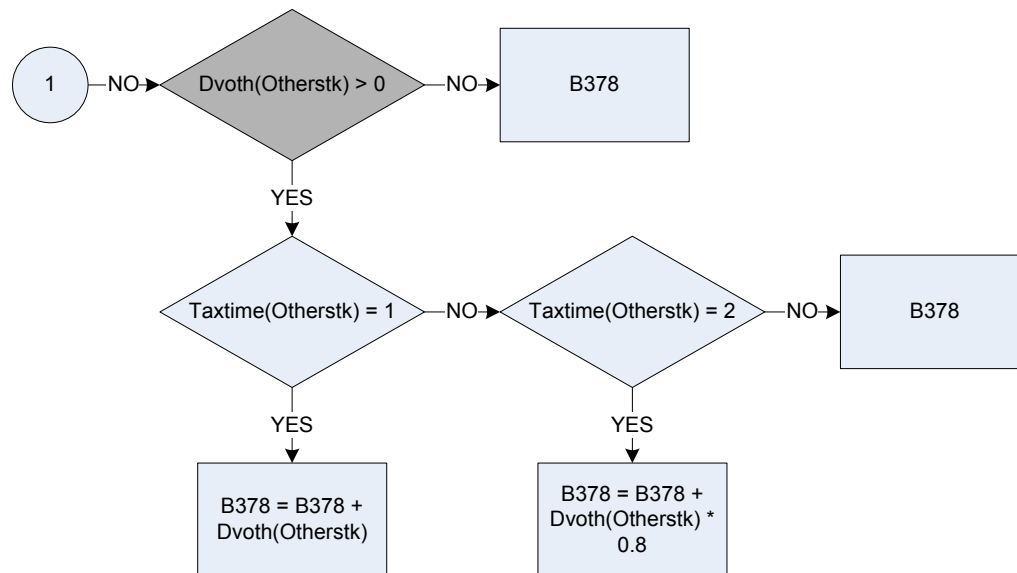
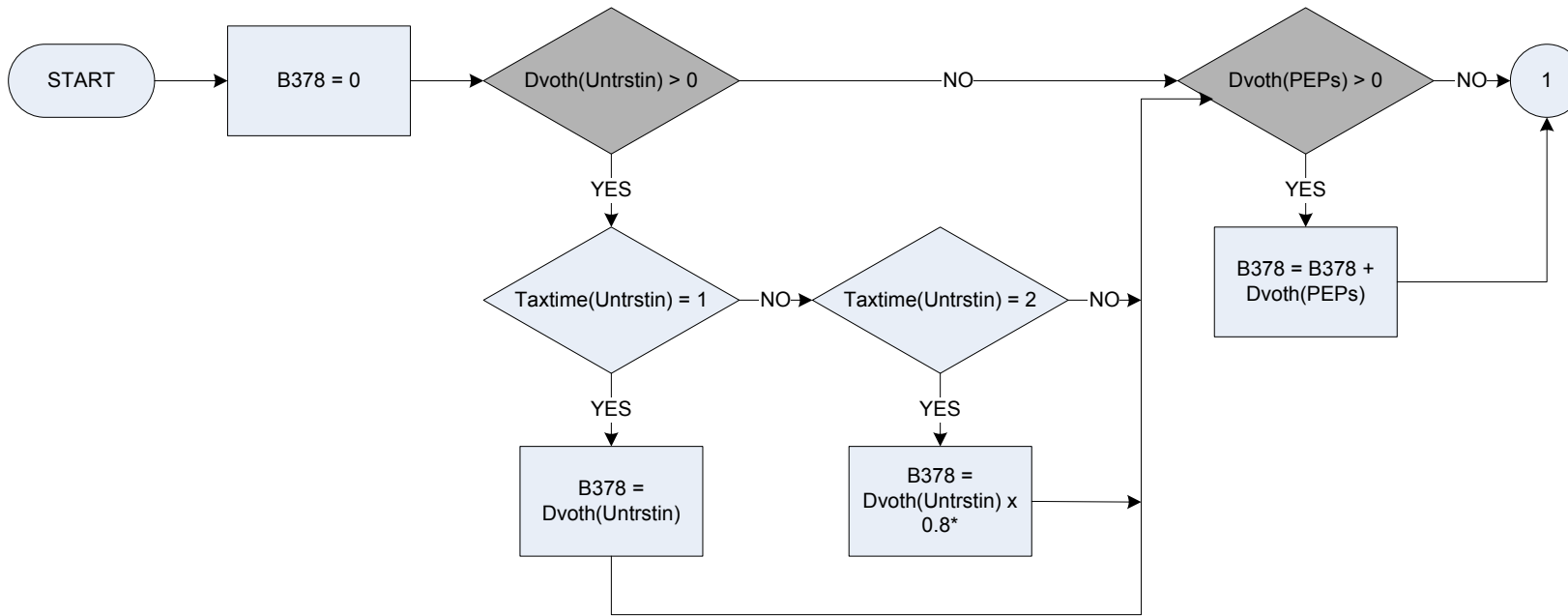


**KEY**

**Dvnt**

Derived from NtAmt to give a weekly amount – (NtAmt - National Savings Account: What was the total interest over the last 12 months?)

## B378 – Stocks/shares etc – interest/dividends after tax



### KEY

\* If respondent has stated at Taxtime that the interest received on the investment was 'before tax', this value is multiplied by 0.8 to give a net amount

**Dvoth** Derived from OthAmt to give a weekly amount – (*OthAmt – Other Investments: What was the total interest/dividend over the last 12 months?*)

**Taxtime** Was the interest received AFTER or BEFORE tax was deducted?

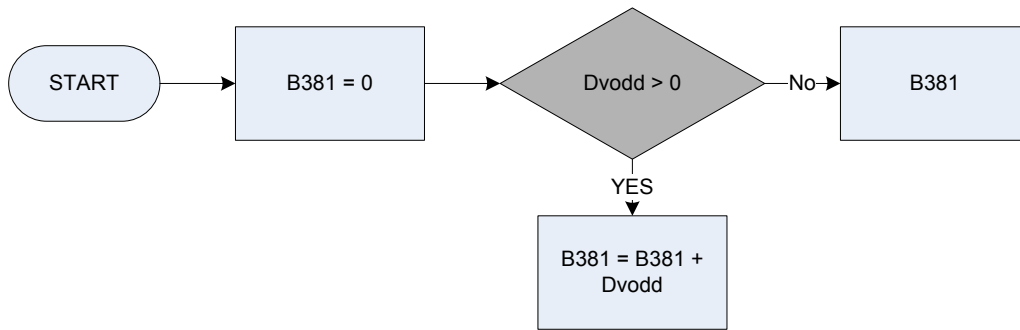
- 1 After tax,
- 2 Before tax

**Untrstin** Unit & Investment Trusts

**Peps** PEPs

**Otherstk** Other stocks, shares & bonds

## B381 – Income from odd jobs - amount



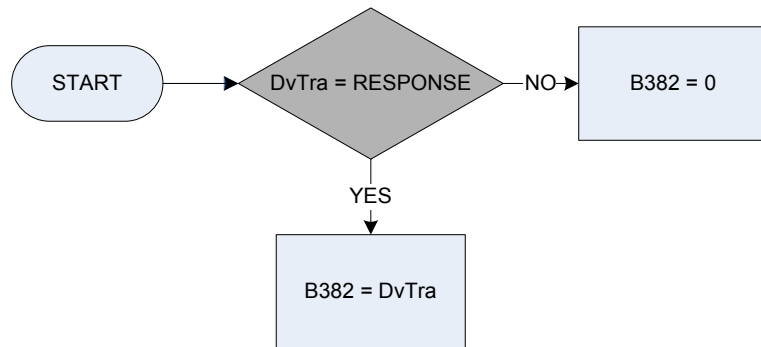
### KEY

**Dvodd**

Derived from OddJAmt to give a weekly amount – (*OddJAmt - Odd Jobs: How much in total did respondent receive for the job in the last 12 months?*)



## B382 – Government training scheme – allowance received

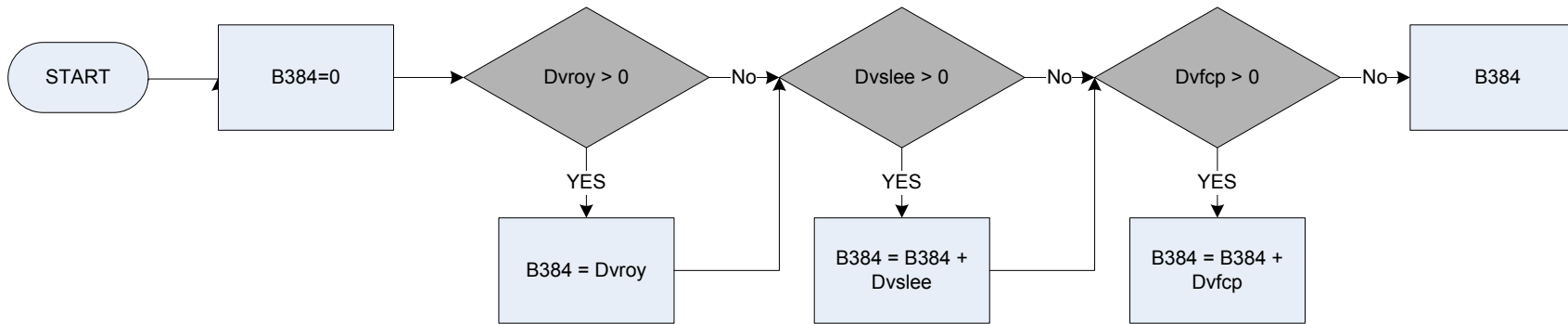


### KEY

**DvTra**

Derived from TrainBen to give a weekly amount – (*TrainBen Government Schemes: What was the amount of allowance, including any other payments from the employer, that was last received?*)

## B384 – Other unearned income – amount received



### KEY

**Dvfcp**

Derived for FCPenAmt to give a weekly amount - (FCPenAmt - Other Income: How much have you received (in £) from a foreign currency pension in the last 12 months?)

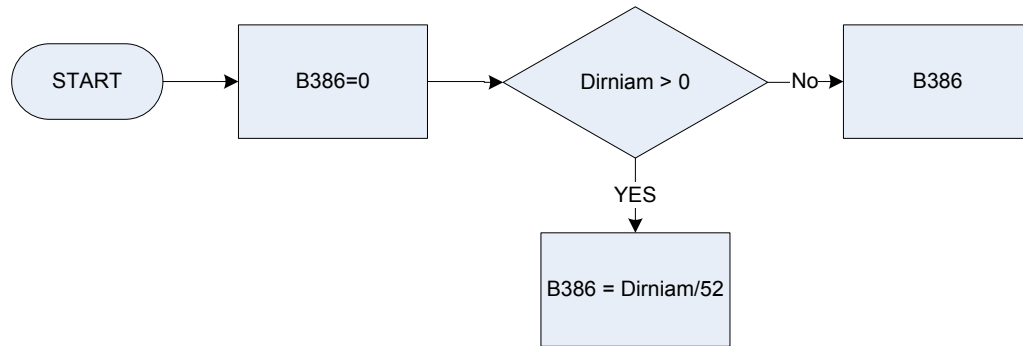
**Dvroy**

Derived from RoyalAmt to give a weekly amount – (RoyalAmt - Other Income: How much has the respondent received in royalties in the last 12 months?)

**Dvslee**

Derived for SleepAmtr to give a weekly amount - (SleepAmt - Other Income: How much have you received as income as a sleeping partner in the last 12 months?)

## B386 – National Insurance contributions direct – amount paid

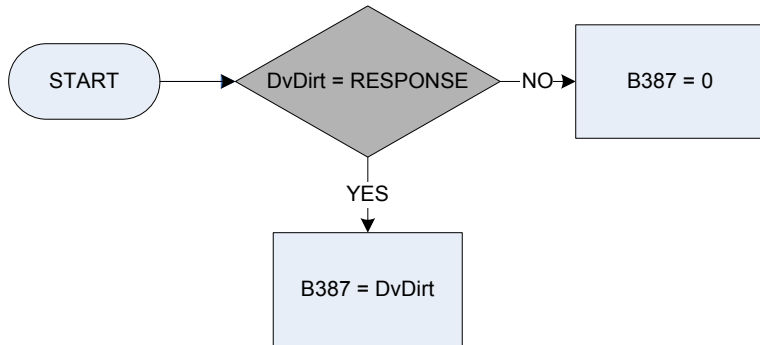


### KEY

**Dirniam**

National insurance: How much did the respondent pay?

## B387 – Income tax paid direct - amount

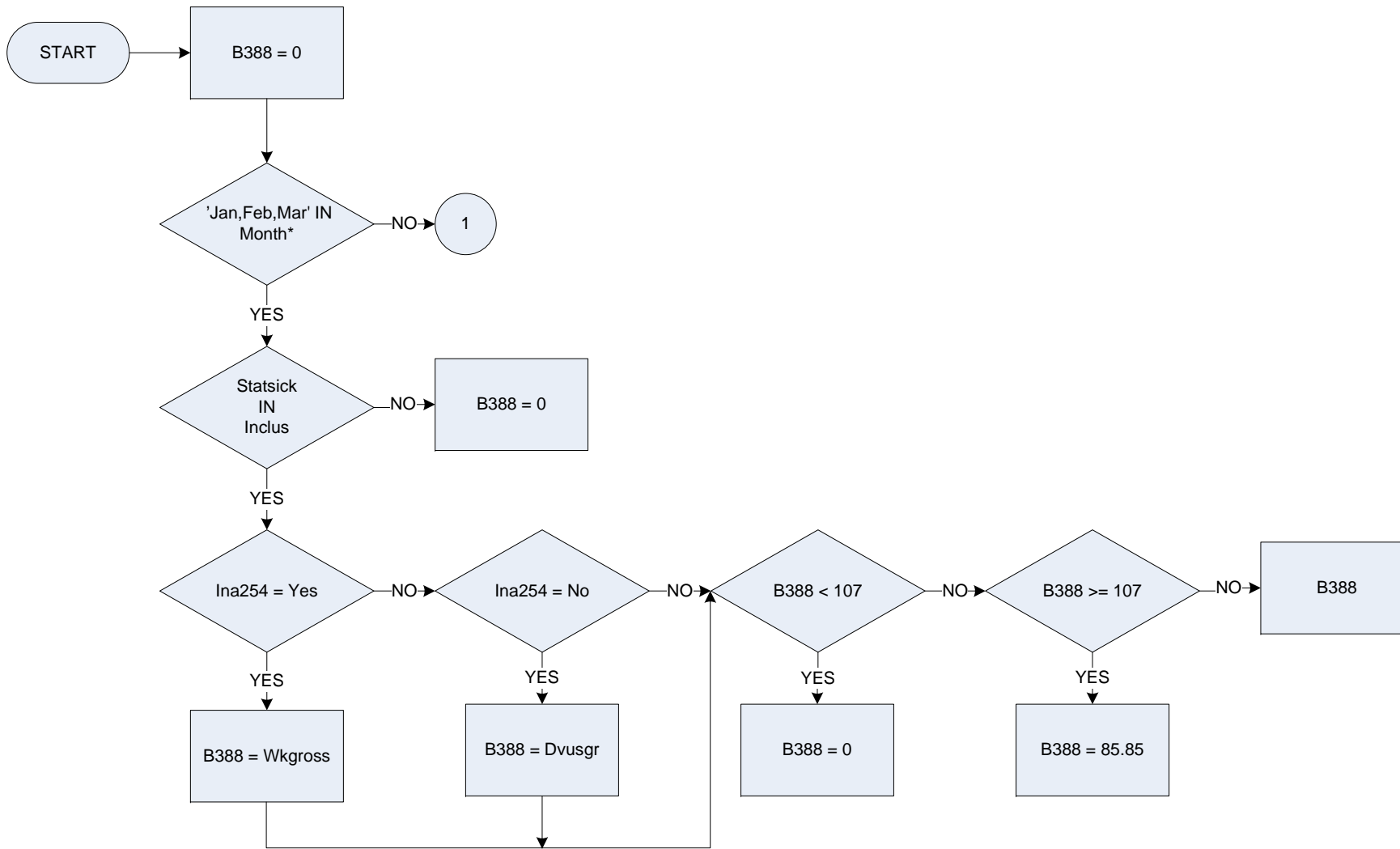


### KEY

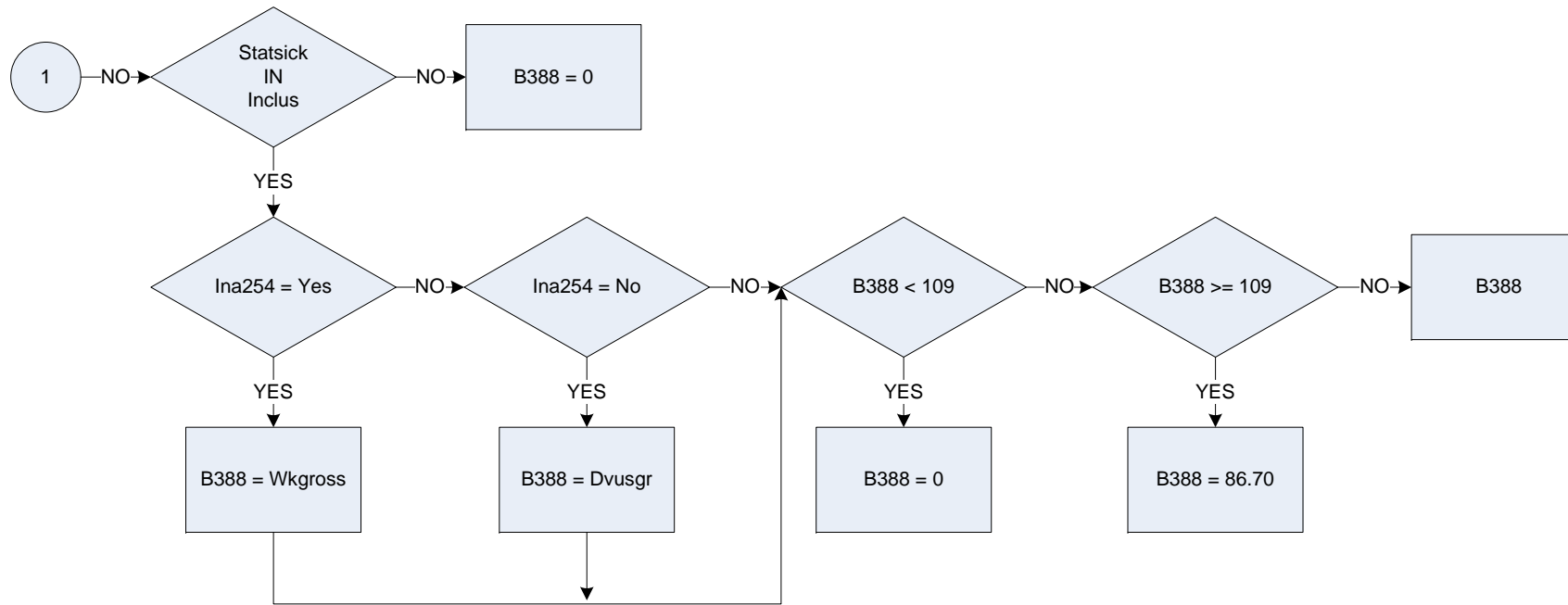
**DvDirt**

Derived from DirTax to give a weekly amount – (*DirTax - Income Tax: (Apart from the tax payments mentioned), has the respondent made any (other) income tax payments in the last 12 months?*)

# B388 - Statutory sick pay - imputed gross amount



## B388 - Statutory sick pay - imputed gross amount

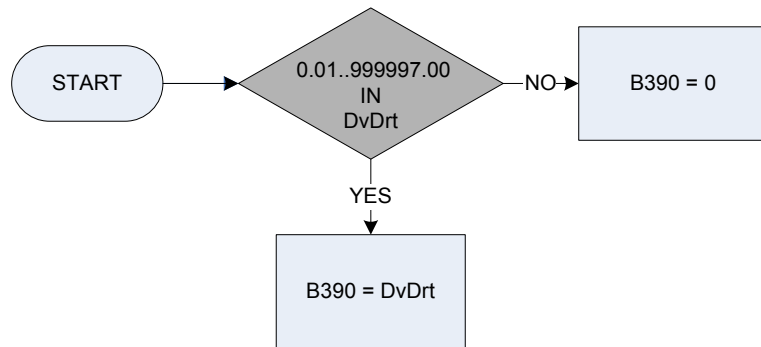


### KEY

\*Respondents in January, February and March samples are routed differently due to the changes made for the new financial year

<b>Dvusgr</b>	Weekly usual gross pay in main job
<b>Ina254</b>	Usual amount received in take home pay
<b>Inclus</b>	Did the respondent's last wage/salary include any of the following items?
<b>StatSick</b>	Statutory Sick Pay
<b>MatStat</b>	Statutory Maternity Pay
<b>PatStat</b>	Statutory Paternity Pay
<b>AdopStat</b>	Statutory Adoption Pay
<b>TaxRefnd</b>	Income Tax Refund
<b>MileAllw</b>	Mileage Allowance or fixed allowance for motoring
<b>MotExpen</b>	Motoring Expenses Refund
<b>None</b>	None of these
<b>Month</b>	Sample month
<b>WkGross</b>	Weekly gross amount received

## B390 – Income tax refund received - amount

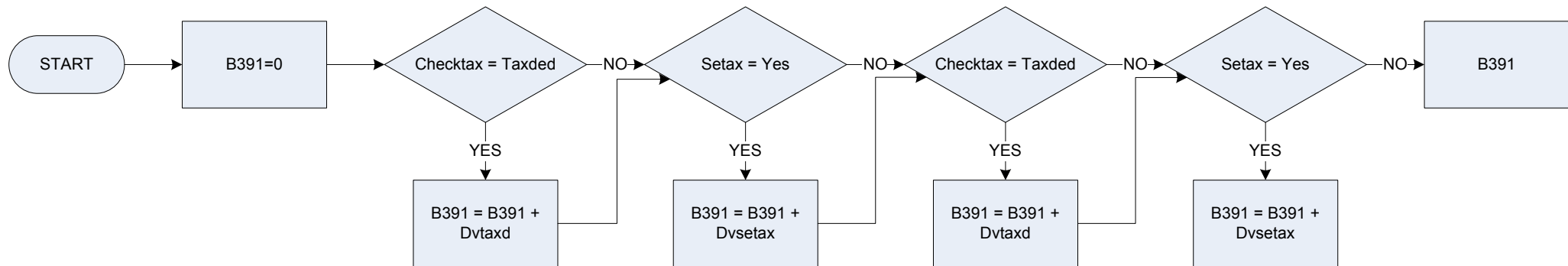


### KEY

DvDrt

Derived from Dirtxram to give a weekly amount – (*Dirtxram - Income Tax: How much was refunded?*)

## B391 – Self-employed – tax paid last 12 months



### KEY

#### Checktax

Check - was either income tax, or the respondent's regular National Insurance contribution deducted at source?

- 1 Income tax deducted,
- 2 Regular NI deducted
- 3 No, neither deducted

#### Dvsetax

Derived from SeTaxAmt to give a weekly amount – (SeTaxAmt – Self Employment: How much did the respondent pay altogether in the last 12 months?)

#### Dvtaxd

Derived from TaxDAmt to give a weekly amount – (TaxDAmt – Self Employment: How much income tax was deducted last time?)

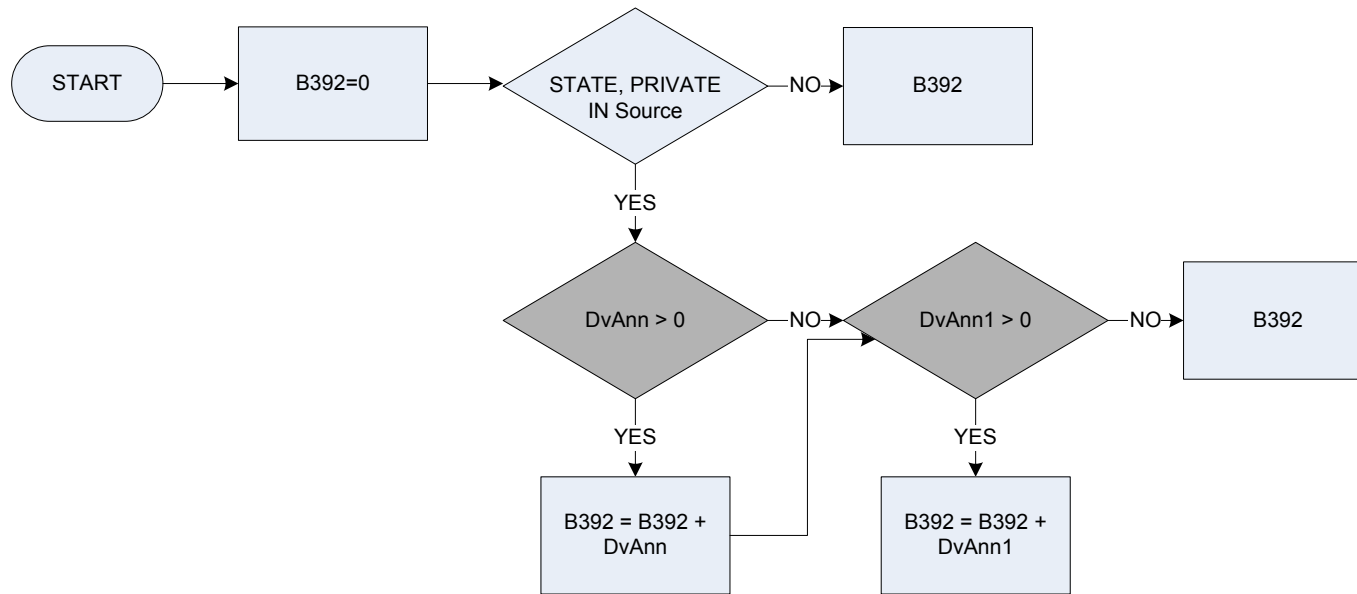
#### Setax

(Apart from tax deducted at source) Has the respondent made any (other) income tax payments relating to this job/business in the last 12 months?

- 1 Yes
- 2 No



## B392 – Education grant – total value



### KEY

**DvAnn** Derived from AnnVal to give a weekly amount – (*AnnVal – Education: What is the current annual value of the grant?*)

**DvAnn1** Derived from AnnVal to give a weekly amount – (*AnnVal – Education: What is the current annual value of the grant?*)

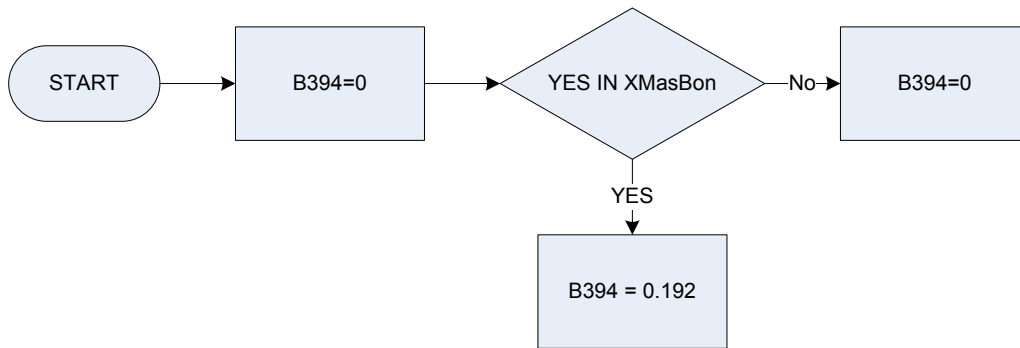
**Source** What is the source of the grant:

**State** "State"

**Private** "Private"

**Overseas** "or Overseas"

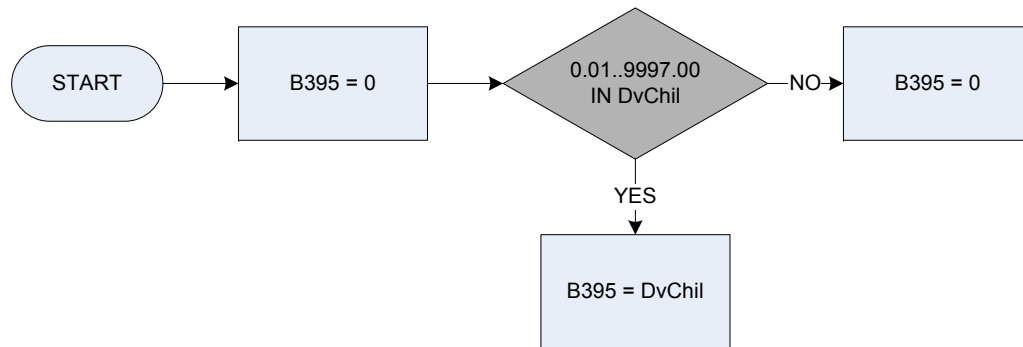
**B394 – Xmas bonus – amount received – imputed gross amount**



**KEY**

**XMasBon** In the 12 months since (Date) has the respondent received a state Christmas bonus?  
1 Yes  
2 No

## B395 - Children's investments/accounts income – amount received

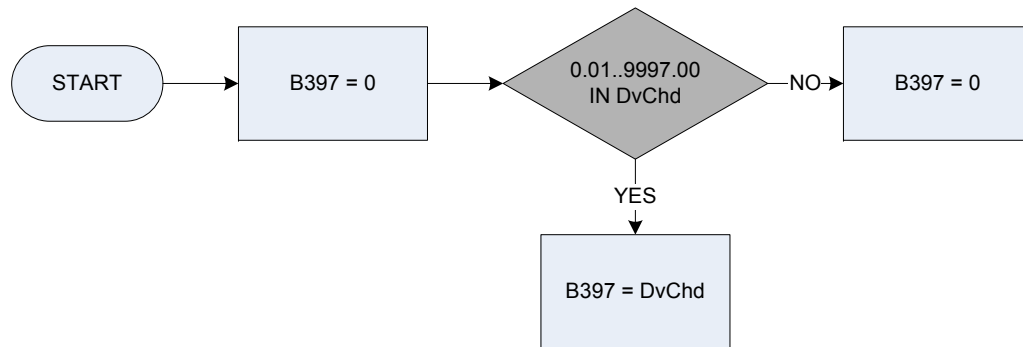


### KEY

#### **DvChil**

Derived from ChiAmt to give a weekly amount – (*ChiAmt - Children's Income: How much in total has been received from these sources in the last 12 months?*)  
(Sources: Interest on a bank account. Building society account or other savings account, Income from National savings and investments e.g. children's bonus bonds), Interest or dividends from gifts, stocks, shares or other investments, Income from trust fund.)

## B397 - Children's job/ other income – amount received

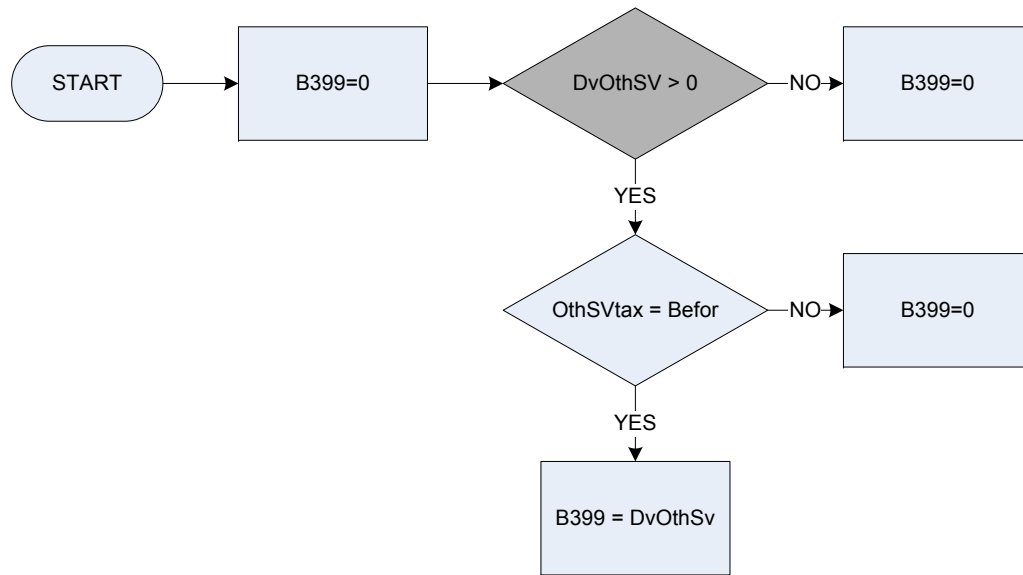


### KEY

#### **DvChd**

Derived from ChdAmt to give a weekly amount – (*ChdAmt - Children's Income: How much in total has been received from these sources in the last 12 months?*)  
(Sources: A spare time job or any other source of income)

## B399 – Other savings Account before tax – interest received



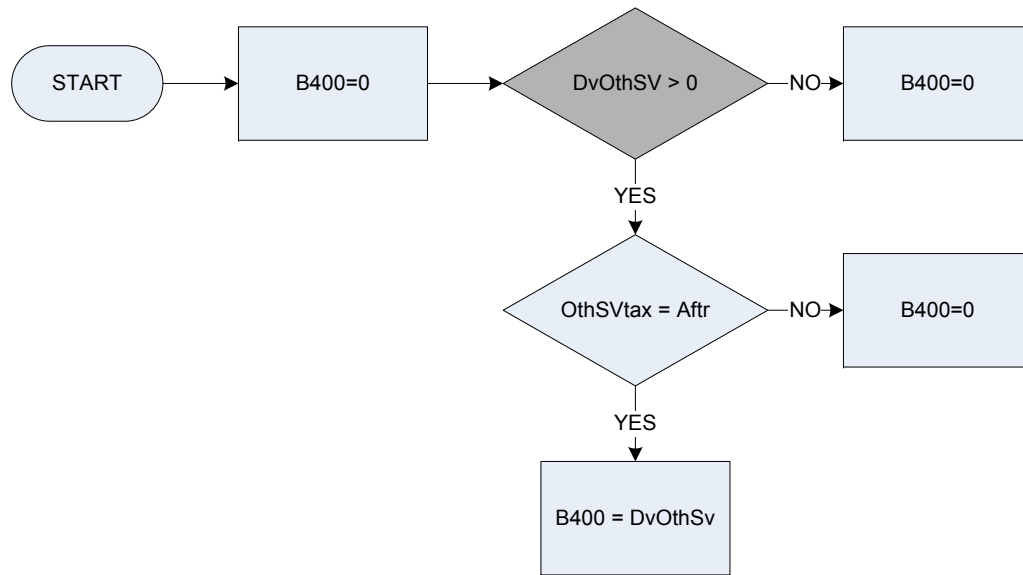
### KEY

**DvOthSV** Derived from OthSVAmt to give a weekly amount – *(OthSvAmt – Other savings Account: What was the total interest over the last 12 months?)*

**OthSVtax** Is the interest received AFTER or BEFORE tax?

**Aft** After tax,  
**Befor** Before tax

## B400 – Other savings Account after tax – interest received



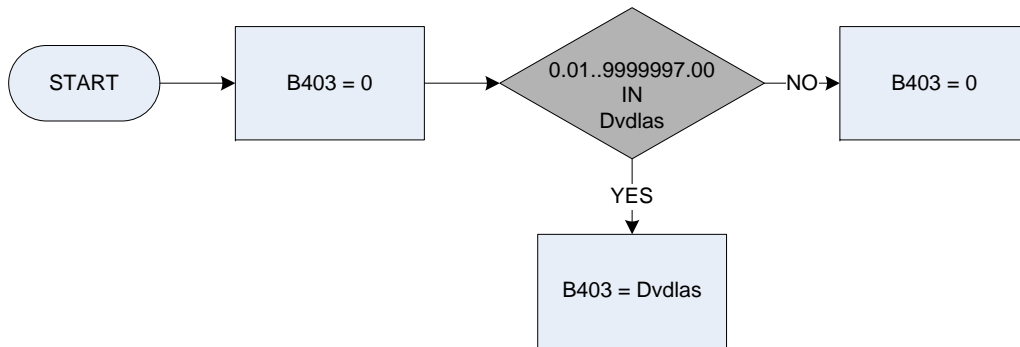
### KEY

**DvOthSV** Derived from OthSVAmt to give a weekly amount – (*OthSVAmt – Other savings Account: What was the total interest over the last 12 months?*)

**OthSVtax** Is the interest received AFTER or BEFORE tax?

**Afr** After tax,  
**Befor** Before tax

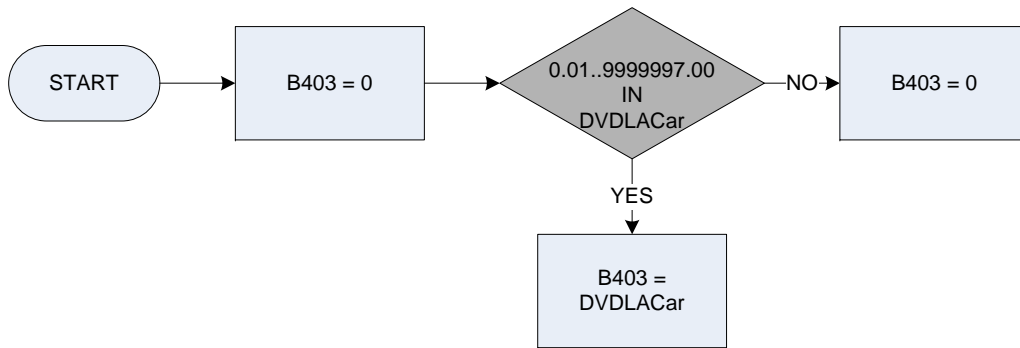
**B403 – Disability living allowance (care component) (for cases January - June 2013)**



**KEY**

**Dvdlas** Derived Variable for disability living allowance, care component – (*Dvdlas – Benefits: How much was received?*)

**B403 – Disability living allowance (care component) (for cases from July 2013)**

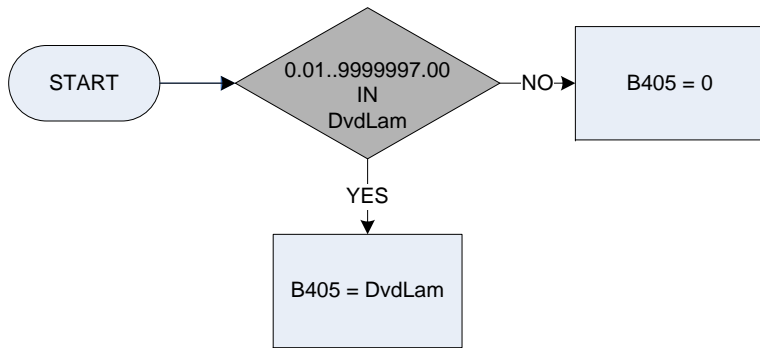


**KEY**

**DvDLACar** Derived from response to Benamt to give a weekly amount for Disability living allowance, care component (*Benamt: How much did the respondent get last time for this benefit?*)



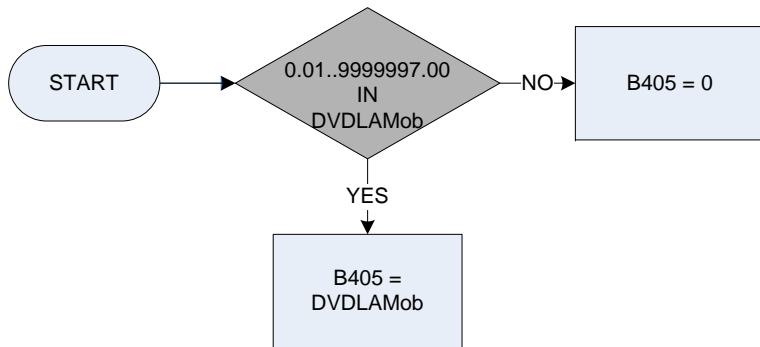
**B405 – Disability living allowance (mobility component) (for cases January - June 2013)**



**KEY**

**Dvdlam** Derived Variable for mobility component of or disability living allowance, mobility component – (*Dvdlam – Benefits*)

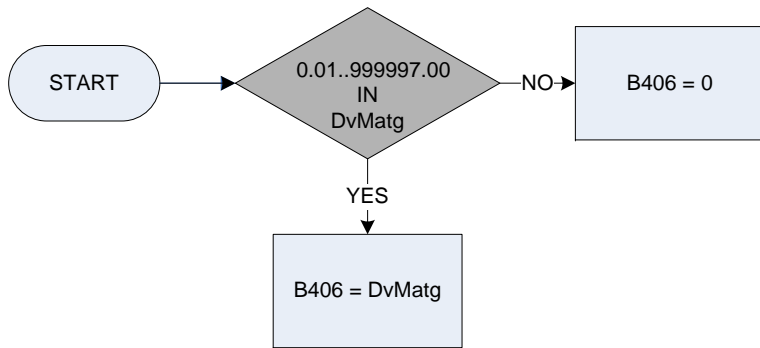
**B405 – Disability living allowance (mobility component) (for cases from July 2013)**



**KEY**

**DVDLAMob** Derived from response to Benamt to give a weekly amount for mobility component of disability living allowance, mobility component (*Benamt: How much did the respondent get last time for this benefit?*)

**B406 – Maternity grant – amount received (for cases January - June 2013)**

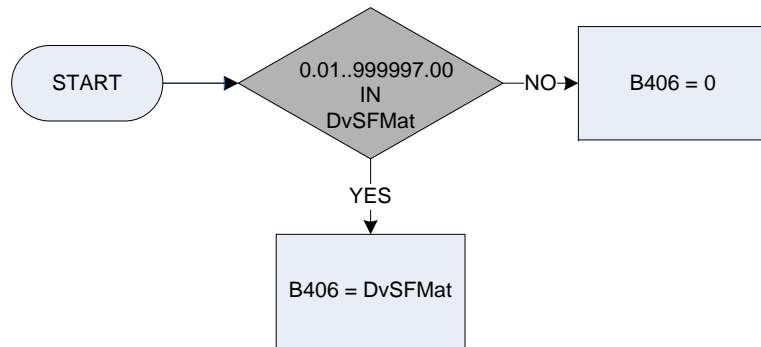


**KEY**

**DVMatg**

Derived Variable for grant from social fund for maternity expense/sure start maternity grant

## B406 – Maternity grant – amount received (for cases from July 2013)

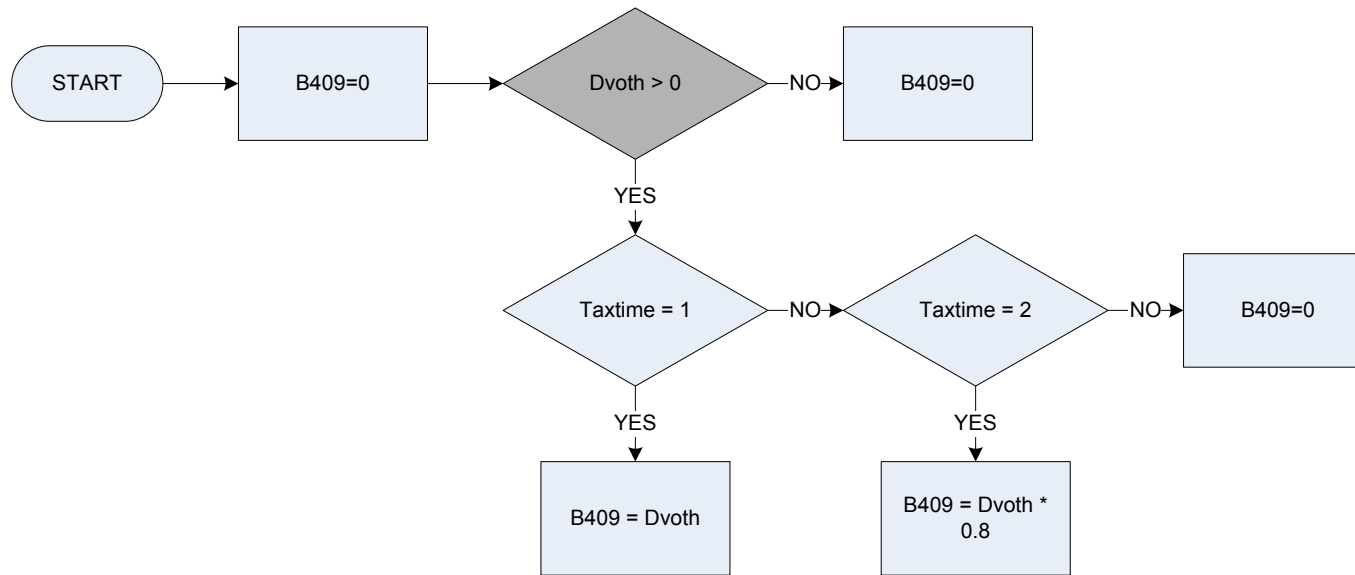


### KEY

**DvSFMat**

Derived from response to Benamt to give a weekly amount for Social Fund for maternity grant (*Benamt: How much did the respondent get last time for this benefit?*)

## B409 – Gilt-edged stock and war loan - interest

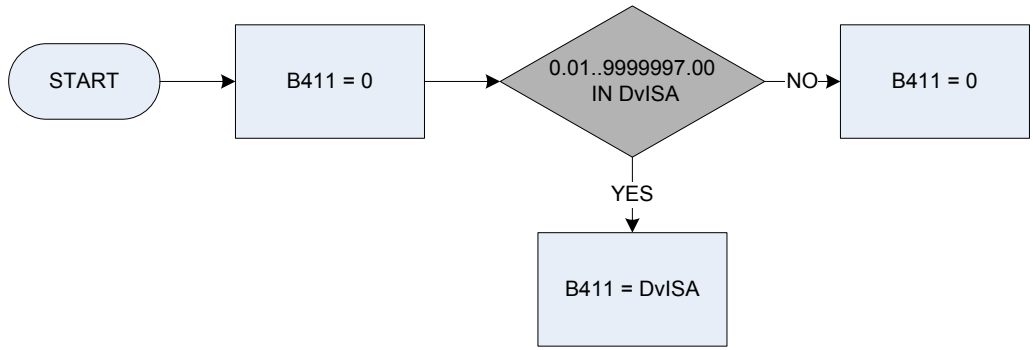


### KEY

\* If respondent has stated at Taxtime that the interest received on the investment was 'before tax', this value is multiplied by 0.8 to give a net amount

**Dvoth** Derived from OthAmt to give a weekly amount - (OthAmt - Other investments: What was the total interest/dividend over the last 12 months?)  
**Taxtime** Was the interest received AFTER or BEFORE tax was deducted?  
 1 After tax  
 2 Before tax

**B411 – ISA interest received**

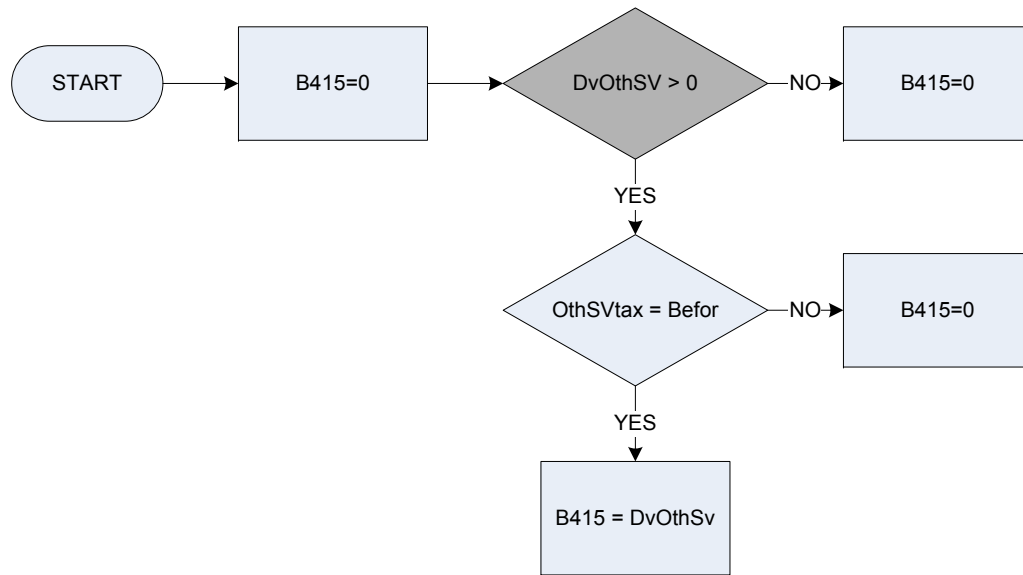


**KEY**

**DvISA**

Derived from ISAAmt to give a weekly amount – *(ISAAmt – ISA: What was the total interest over the last 12 months?)*

## B415 – Interest received – Other savings Account before tax



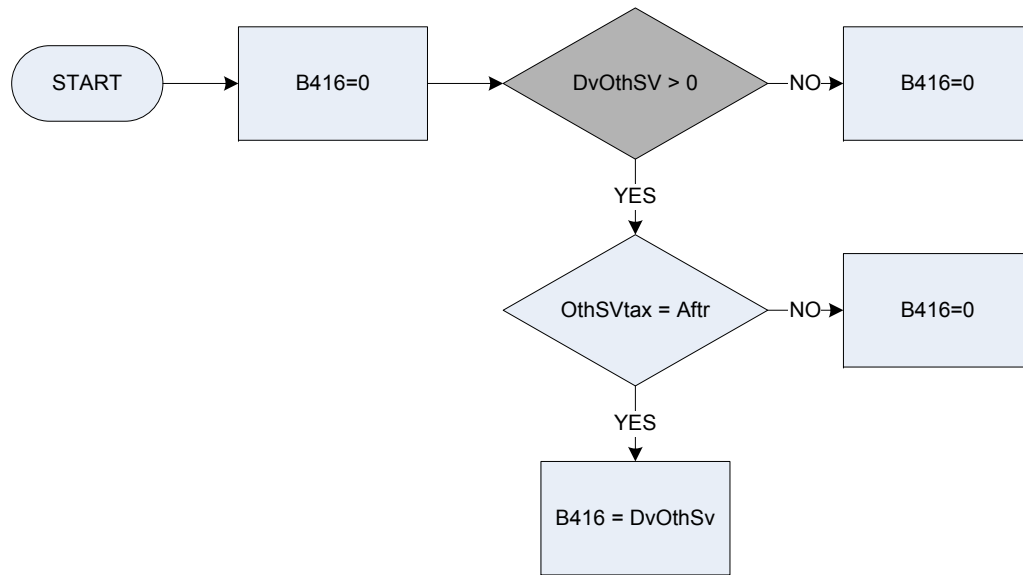
### KEY

**DvOthSV** Derived from OthSVAmt to give a weekly amount – (*OthSvAmt – Other savings Account: What was the total interest over the last 12 months?*)

**OthSVtax** Is the interest received AFTER or BEFORE tax?

**Aft** After tax,  
**Befor** Before tax

## B416 – Interest received – Other savings Account after tax



### KEY

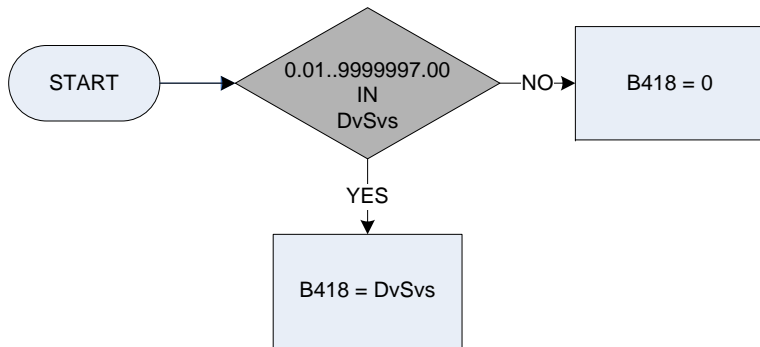
**DvOthSV** Derived from OthSVAmt to give a weekly amount – (*OthSVAmt – Other savings Account: What was the total interest over the last 12 months?*)

**OthSVtax** Is the interest received AFTER or BEFORE tax?

**Afr** After tax,  
**Befor** Before tax



**B418 - Severe disablement benefit - last received – amount (for cases January - June 2013)**

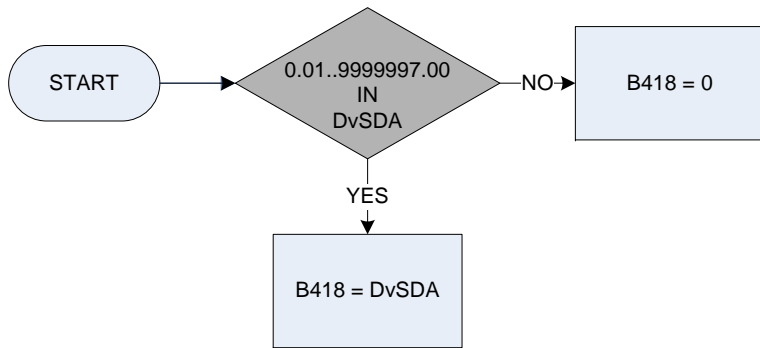


**KEY**

**Dvsvs**

Derived Variable for severe disablement benefit – (*Dvsvs – Benefit: How was received last time?*)

**B418 - Severe disablement benefit - last received – amount (for cases from July 2013)**

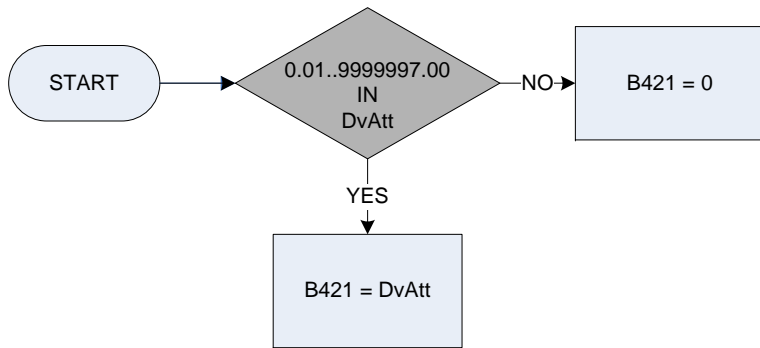


**KEY**

**DvSDA**

Derived from response to Benamt to give a weekly amount for Severe disablement benefit (*Benamt: How much did the respondent get last time for this benefit?*)

**B421 – Attendance allowance last amount received (for cases January - June 2013)**

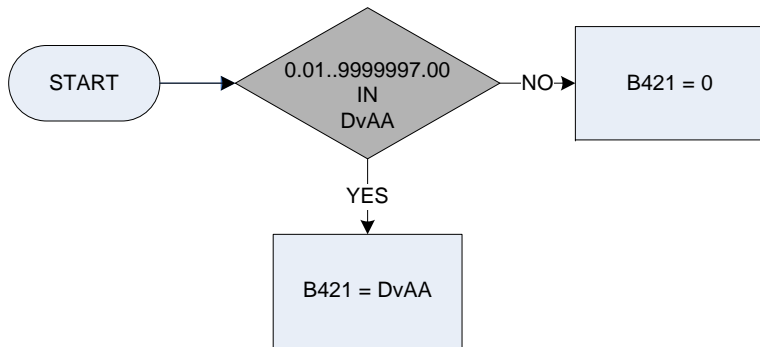


**KEY**

**DvAtt**

Derived Variable for attendance allowance – How much was the last amount received?

**B421 – Attendance allowance last amount received (for cases from July 2013)**

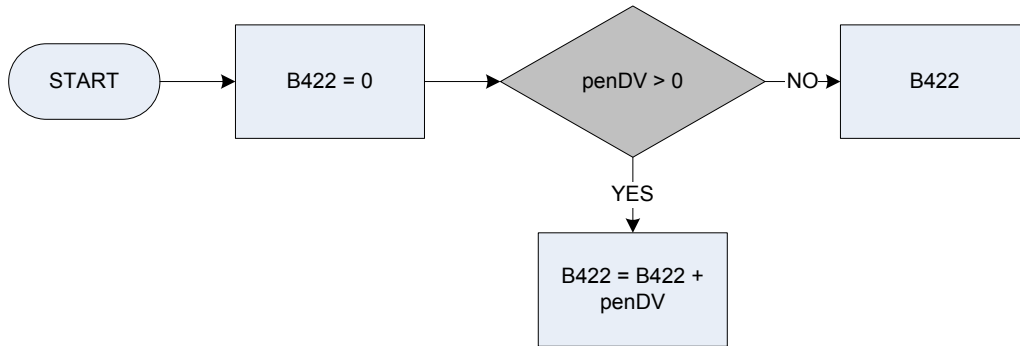


**KEY**

**DvAA**

Derived from response to Benamt to give a weekly amount for Attendance Allowance (*Benamt: How much did the respondent get last time for this benefit?*)

## B422 – Personal Pension contribution per person

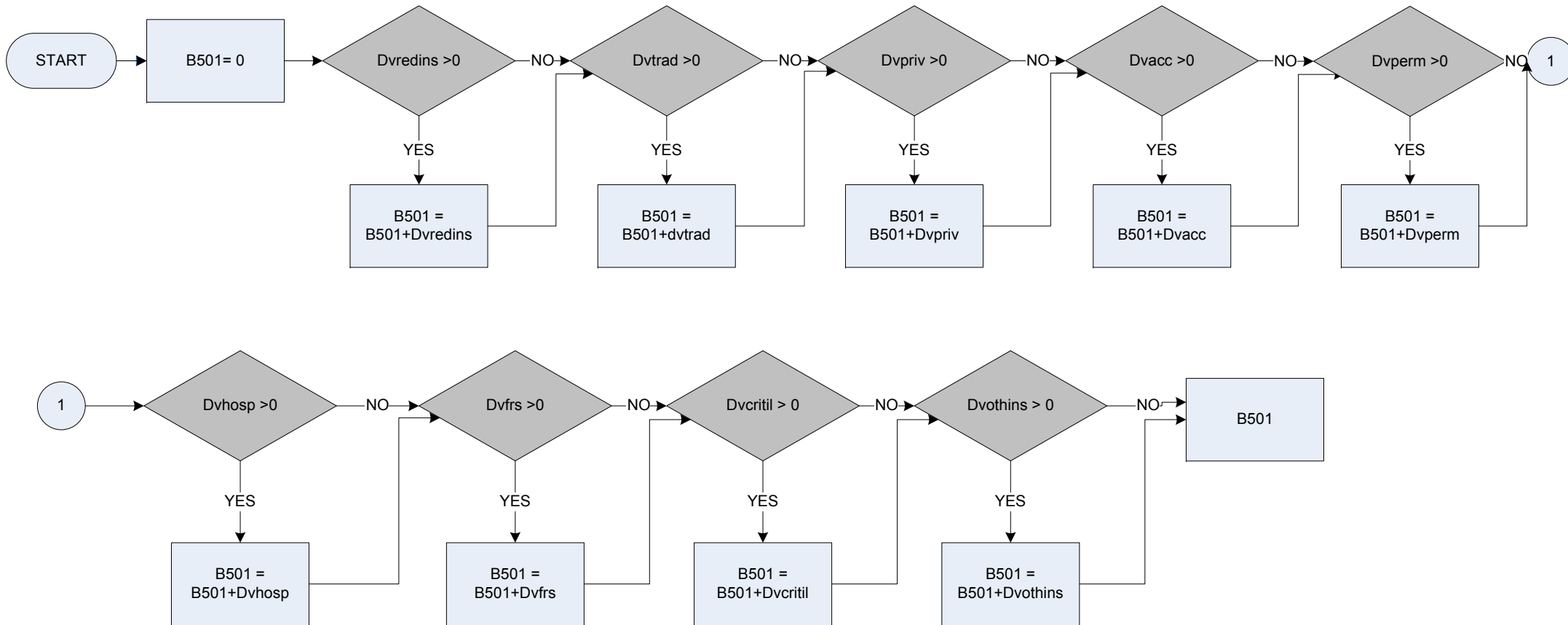


### KEY

**PenDV**

Derived from PensAmt to give a weekly amount – (*PensAmt - Private Pension: What was the amount of the last contribution?*)

## B501 – Private Benefits amount received at present



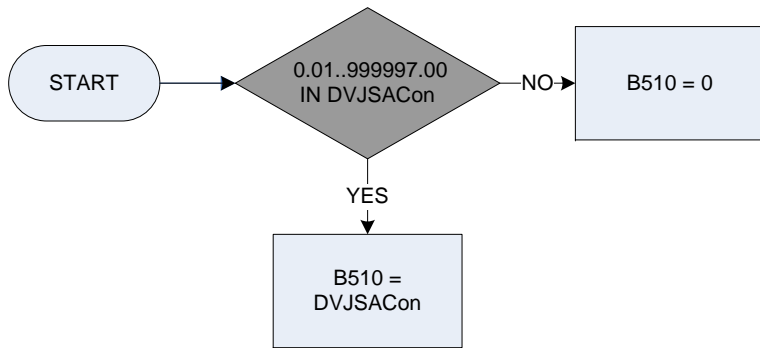
### KEY

- Dvredins**
- Dvtrad** Derived from AMTBENX\* for TUC sick/strike pay to give a weekly average
- Dvpriv** Derived from AMTBENX\* for private medical scheme benefits to give a weekly average
- Dvacc** Derived from AMTBENX\* for personal accident insurance benefits to give a weekly average
- Dvperm** Derived from AMTBENX\* for permanent health insurance to give a weekly average
- Dvhosp** Derived from AMTBENX\* for hospital savings scheme benefits to give a weekly average
- Dvfrs** Derived from AMTBENX\* for friendly society sickness benefits to give a weekly average
- Dvcritil** Derived from AMTBENX\* for critical illness cover benefits to give a weekly average
- Dvothins** Derived from AMTBENX\* for any other sickness insurance to give a weekly average

\*AMTBENX What was the amount of benefit last received?

\*\*1 "Receiving benefit at present"

**B510 – Jobseeker’s Allowance (contribution based) - last amount received (for cases January - June 2013)**

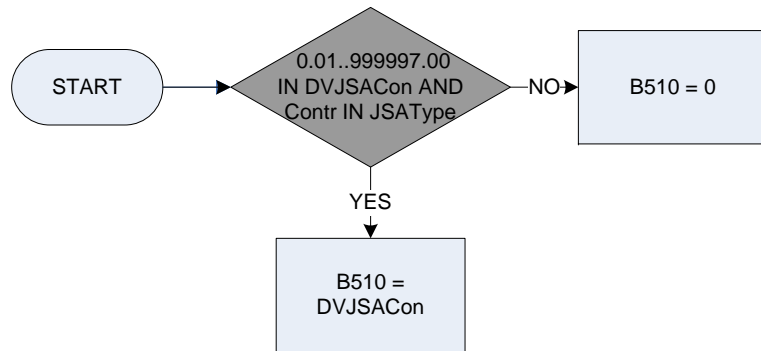


**KEY**

**DVJSAcon**

Derived for JSA (contribution based) to give a weekly amount – (DVJSAcon – Benefits: How much was received last time?)

## B510 – Jobseeker’s Allowance (contribution based) - last amount received (for cases from July 2013)



### KEY

**DVJSAcon**  
**JSAType**

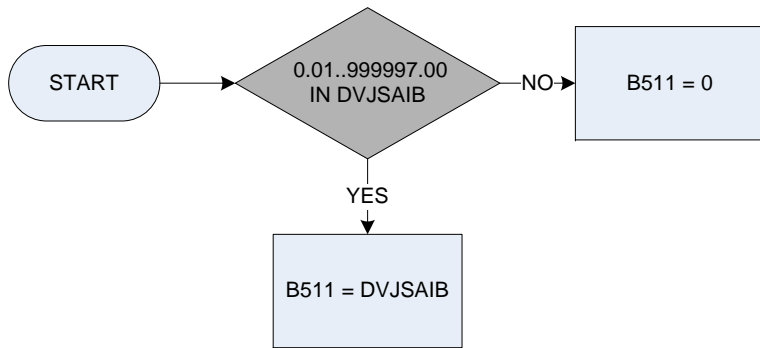
Derived from response to Benamt to give a weekly amount for JSA (contribution based) (*Benamt: How much did the respondent get last time for this benefit?*)

There are two types of Jobseeker’s Allowance. Is the Allowance the respondent has received:

**Contr**                    *Contributory, that is based on their N.I. contributions,*  
**Incom**                   *Income-related, which is based on an assessment of their income?*  
**Comb**                    *A combination of 'contributory' and 'income related'?*



**B511 – Jobseeker’s Allowance (income based) – amount received (for cases January - June 2013)**

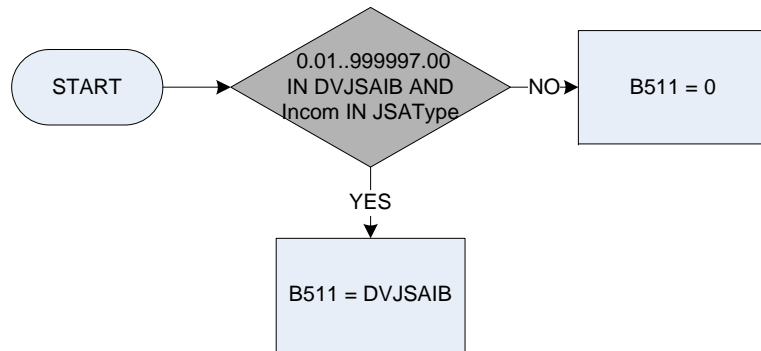


**KEY**

**DVJSAIB**

Derived Variable for Jobseeker’s Allowance – based on an assessment of income – (DVJSAIB – Benefit: How much was received?)

## B511 – Jobseeker’s Allowance (income based) – amount received (for cases from July 2013)



### KEY

**DVJSAIB** Derived Variable for Jobseeker’s Allowance based on an assessment of income (*Benamt: How much did the respondent get for this benefit last time?*)

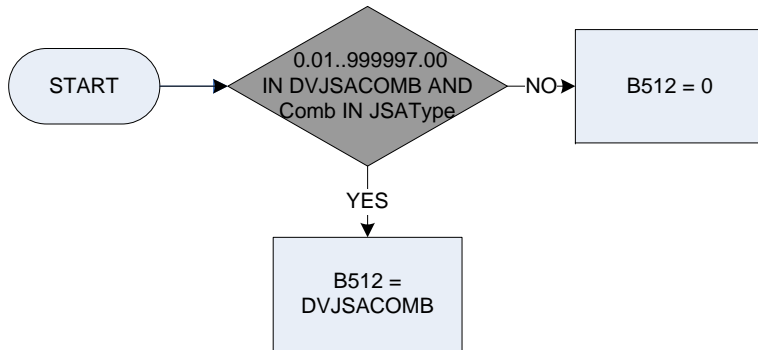
**JSAType** There are two types of Jobseeker’s Allowance. Is the Allowance the respondent has received:

**Contr** *Contributory, that is based on their N.I. contributions,*

**Incom** *Income-related, which is based on an assessment of their income?*

**Comb** *A combination of 'contributory' and 'income related'?*

**B512 – Jobseeker’s Allowance (combination of contributory and income-based) - last amount received (for cases from July 2013)**



**KEY**

**DVJSAComb**  
**JSAType**

Derived from response to Benamt to give a weekly amount for JSA (combination) (*Benamt: How much did the respondent get last time for this benefit?*)

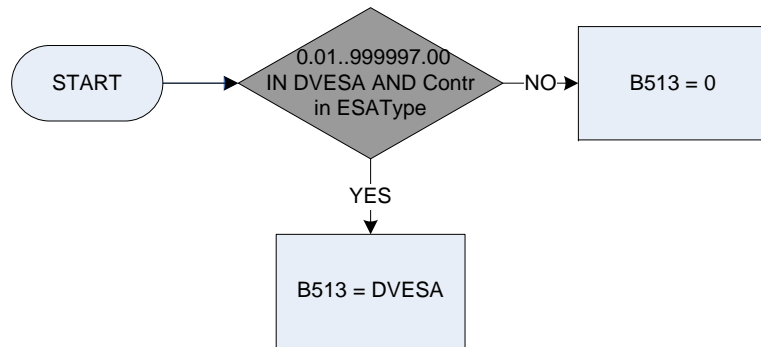
There are two types of Jobseeker’s Allowance. Is the Allowance the respondent has received:

**Contr** Contributory, that is based on their N.I. contributions,

**Incom** Income-related, which is based on an assessment of their income?

**Comb** A combination of 'contributory' and 'income related'?

## B513 – Employment and Support Allowance (contribution based) - last amount received (for cases January - June 2013)



### KEY

**DVESA**  
**ESAType**

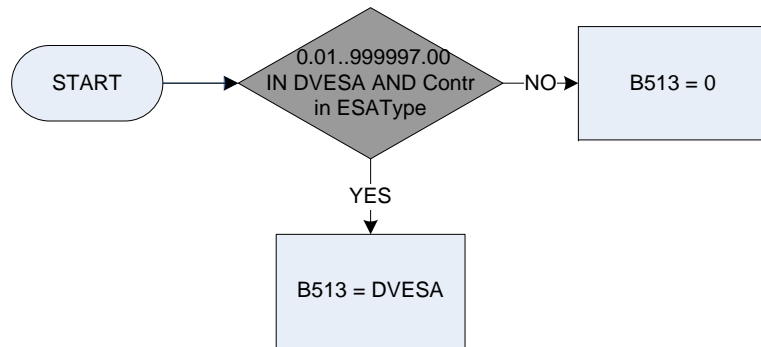
Derived for ESA (contribution based) to give a weekly amount – (*DVESA – Benefits: How much was received last time?*)

There are two types of Employment and Support Allowance. Is the Allowance the respondent has received:

**Contr** *Contributory, that is based on their N.I. contributions,*

**Income** *Income-based, that is based on an assessment of their income?*

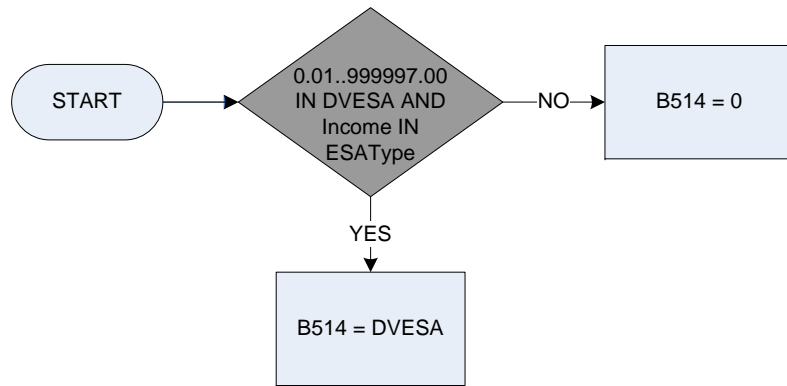
## B513 – Employment and Support Allowance (contribution based) - last amount received (for cases from July 2013)



### KEY

- DVESA** Derived from response to Benamt to give a weekly amount for ESA (contribution based) (*Benamt: How much did the respondent get last time for this benefit?*)
- ESAType** There are two types of Employment and Support Allowance. Is the Allowance the respondent has received:
- Contr** *Contributory, that is based on their N.I. contributions,*
- Incom** *Income-related, which is based on an assessment of their income?*
- Comb** *A combination of 'contributory' and 'income related'?*

## B514 – Employment and Support Allowance (income based) - last amount received (for cases January - June 2013)



### KEY

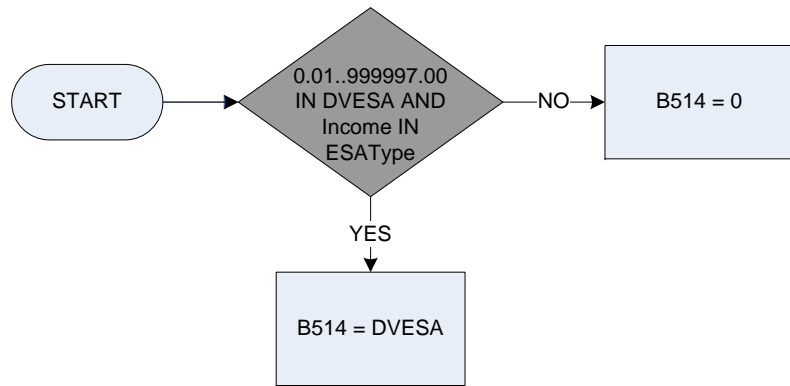
**DVESA**  
**ESAType**

Derived for ESA (contribution based) to give a weekly amount (*Benamt: How much did the respondent get last time for this benefit?*)

There are two types of Employment and Support Allowance. Is the Allowance the respondent has received:

**Contr**                    *Contributory, that is based on their N.I. contributions,*  
**Income**                 *Income-based, that is based on an assessment of their income?*

**B514 – Employment and Support Allowance (income based) - last amount received (for cases from July 2013)**



**KEY**

**DVESA** Derived from response to Benamt to give a weekly amount for ESA (contribution based) (*Benamt: How much did the respondent get last time for this benefit?*)

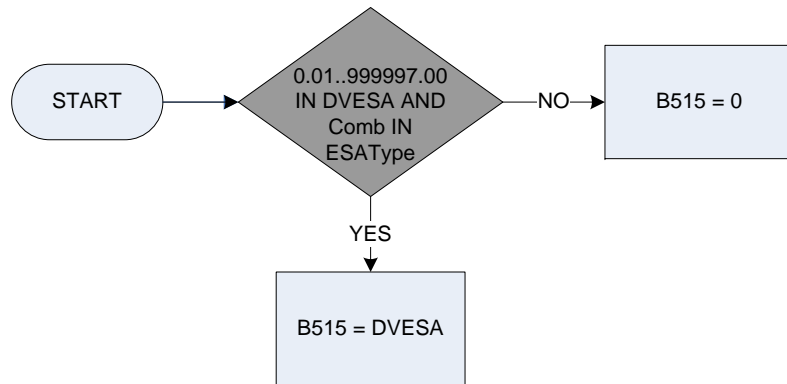
**ESAType** There are two types of Employment and Support Allowance. Is the Allowance the respondent has received:

**Contr** *Contributory, that is based on their N.I. contributions,*

**Incom** *Income-related, which is based on an assessment of their income?*

**Comb** *A combination of 'contributory' and 'income related'?*

**B515 – Employment and Support Allowance (combination of contributory and income-based) - last amount received (for cases from July 2013)**

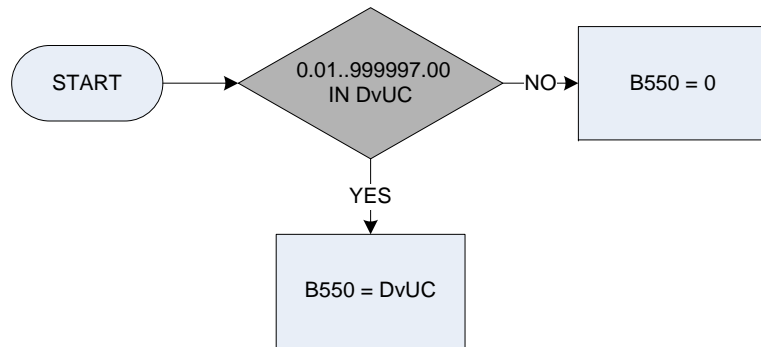


**KEY**

- DVESA** Derived from response to Benamt to give a weekly amount for ESA (contribution based) (*Benamt: How much did the respondent get last time for this benefit?*)
- ESAType** There are two types of Employment and Support Allowance. Is the Allowance the respondent has received:
- Contr** *Contributory, that is based on their N.I. contributions,*
  - Incom** *Income-related, which is based on an assessment of their income?*
  - Comb** *A combination of 'contributory' and 'income related'?*



## B550 – Universal Credit – amount received (for cases from July 2013)

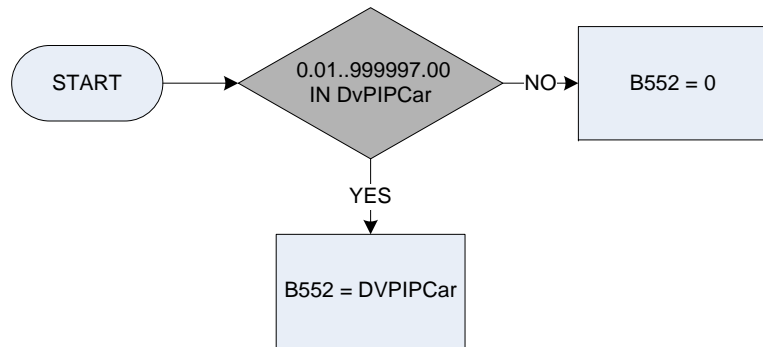


### KEY

DvUC

Derived from response to Benamt to give a weekly amount for Universal Credit (*Benamt: How much did the respondent get for this benefit last time?*)

**B552 – Personal Independence Payment (Daily living component) – amount received (for cases from July 2013)**

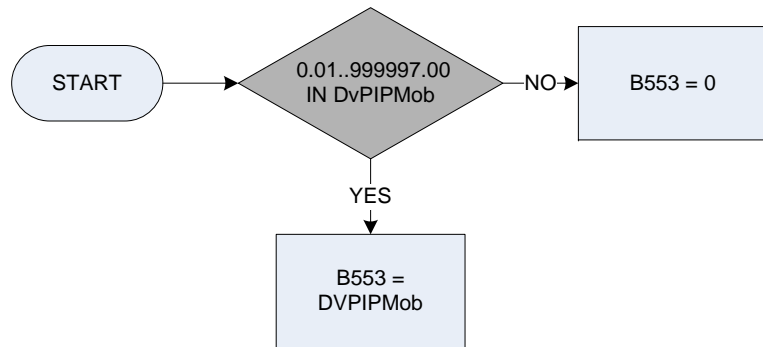


**KEY**

**DvPIPCar**

Derived from response to Benamt to give a weekly amount for Personal Independence Payment (Daily living component) (*Benamt: How much did the respondent get for this benefit last time?*)

## B553 – Personal Independence Payment (Mobility component) – amount received (for cases from July 2013)

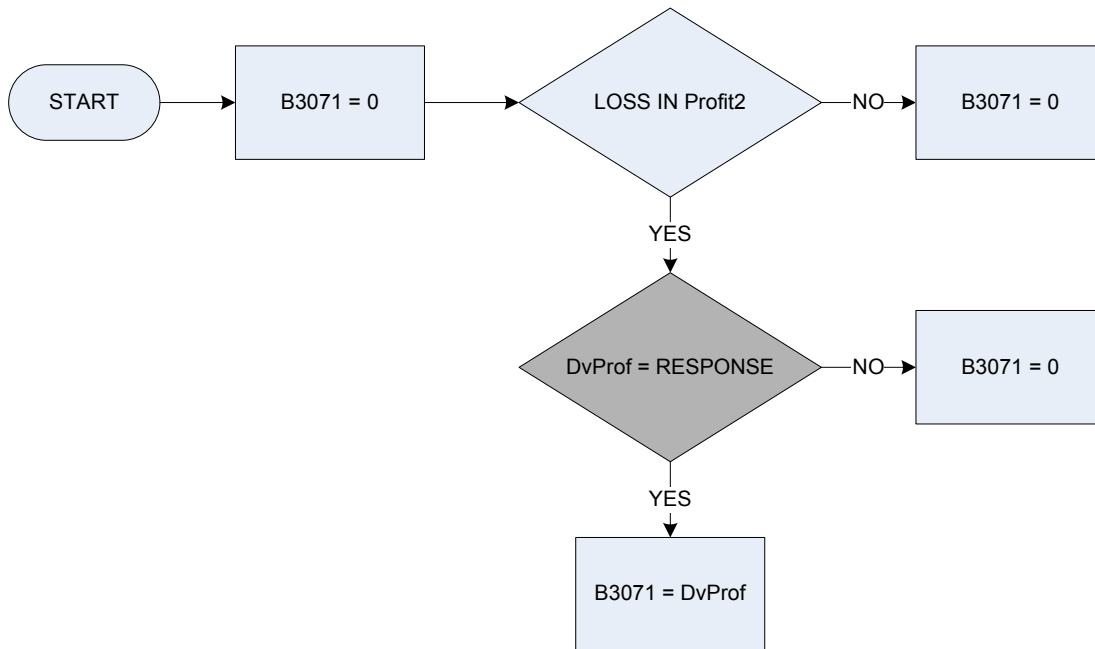


### KEY

**DvPIPMob**

Derived from response to Benamt to give a weekly amount for Personal Independence Payment (Mobility component) (*Benamt: How much did the respondent get for this benefit last time?*)

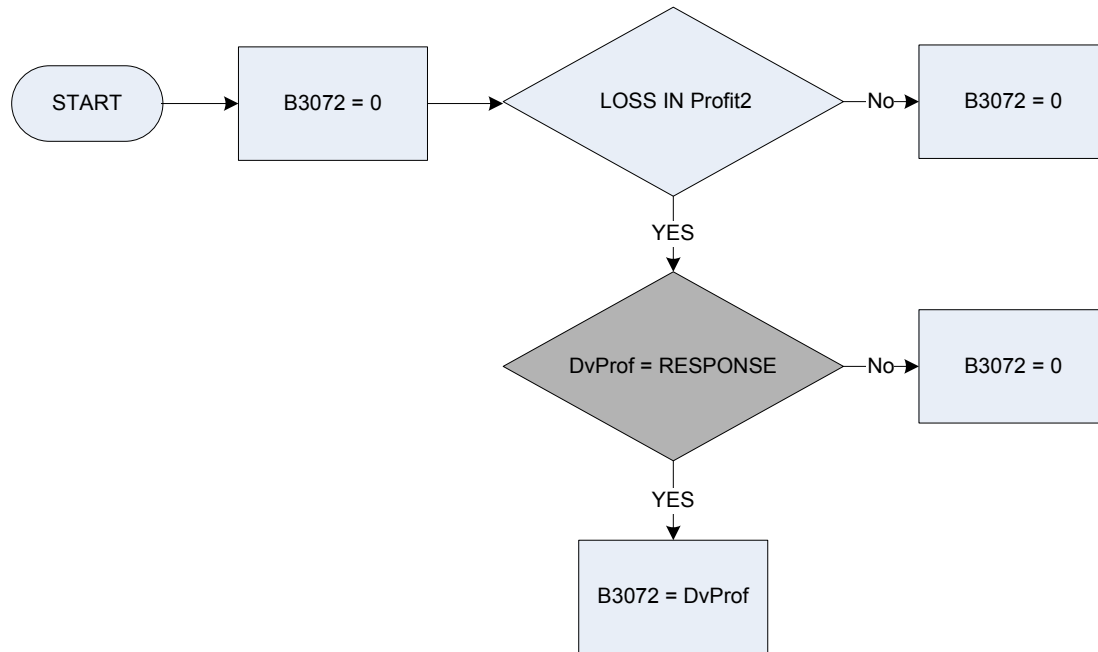
**B3071 – Main job: self employed – amount of net loss**



**KEY**

- DvProf** Derived from Profit to give a weekly amount – *(Profit - Self-Employment: what was the profit/loss amount?)*
- JobBus** Does the respondent think of themselves as having a job or a business?
- Job** Job
- Bus** A business
- Neither** Neither of these
- Profit1** Self-Employment: What was the profit/loss amount?
- Profit2** Self-Employment: Did the answer in Profit1 refer to profit or loss?

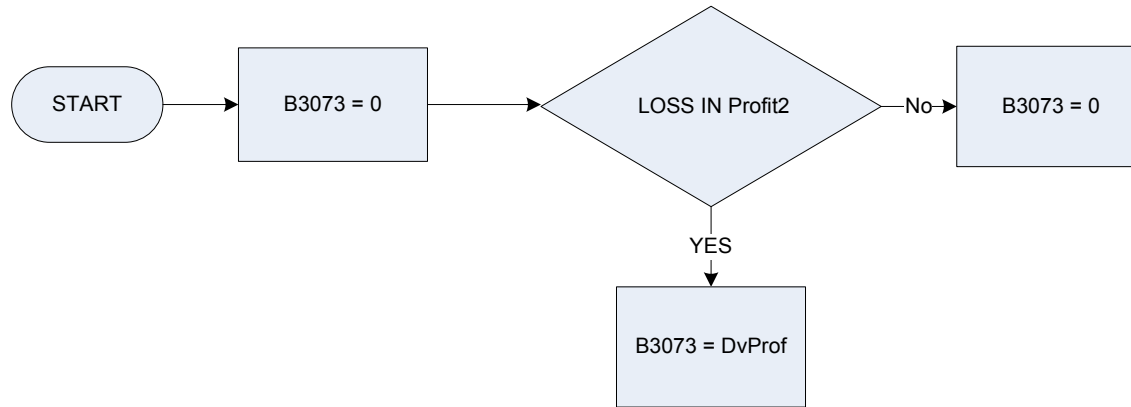
**B3072 – First subsidiary job: self employed - amount of net loss**



**KEY**

- DvProf** Derived from Profit to give a weekly amount - (*Profit - Self-Employment: What was the profit/loss amount?*)
- JobBus** Does the respondent think of themselves as having a job or a business?
- Job** Job
- Bus** A business
- Neither** Neither of these
- Profit1** Self-Employment: profit/loss amount
- Profit2** Self-Employment: Did the answer in Profit1 refer to profit or loss?

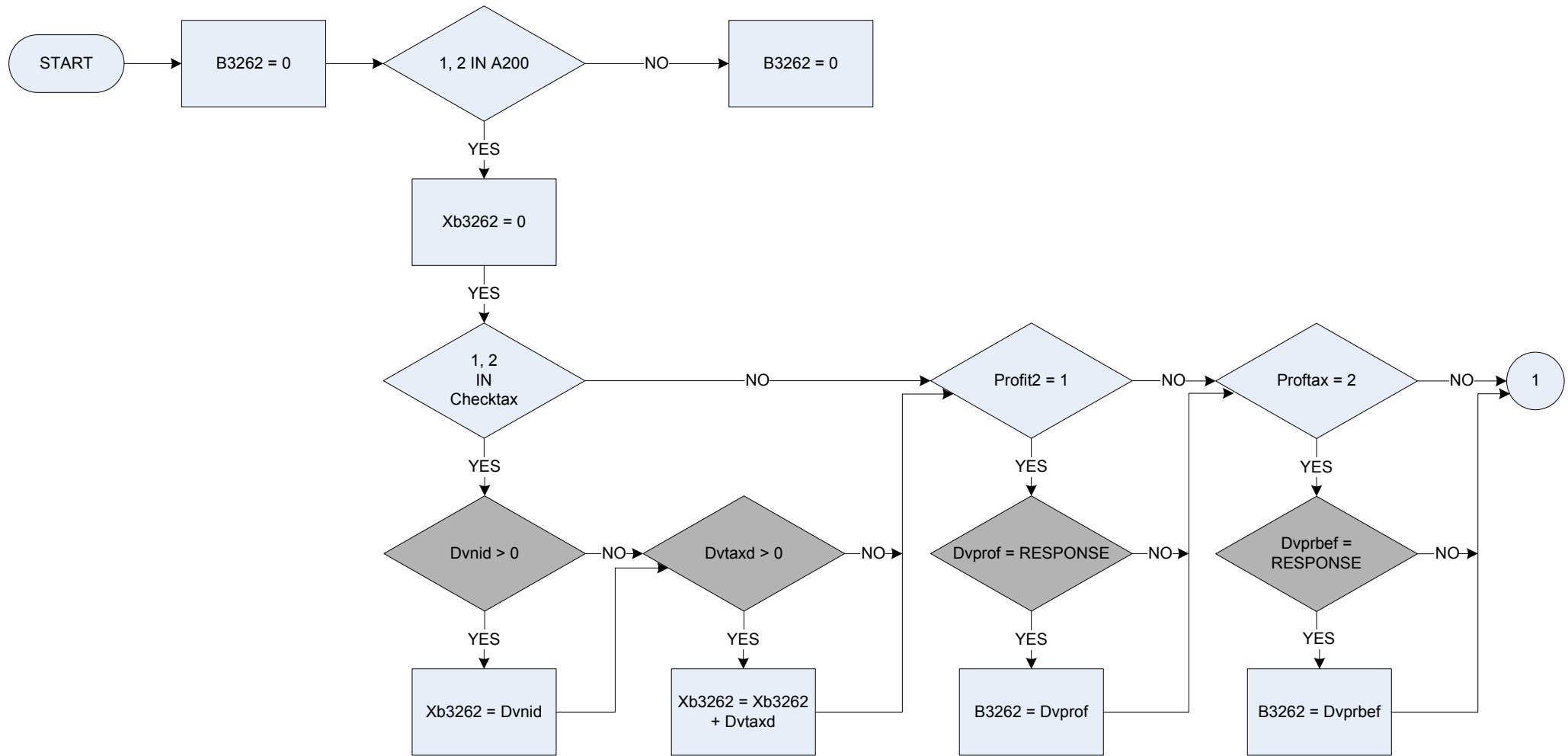
## B3073 – Second subsidiary job: self employed - amount of net loss



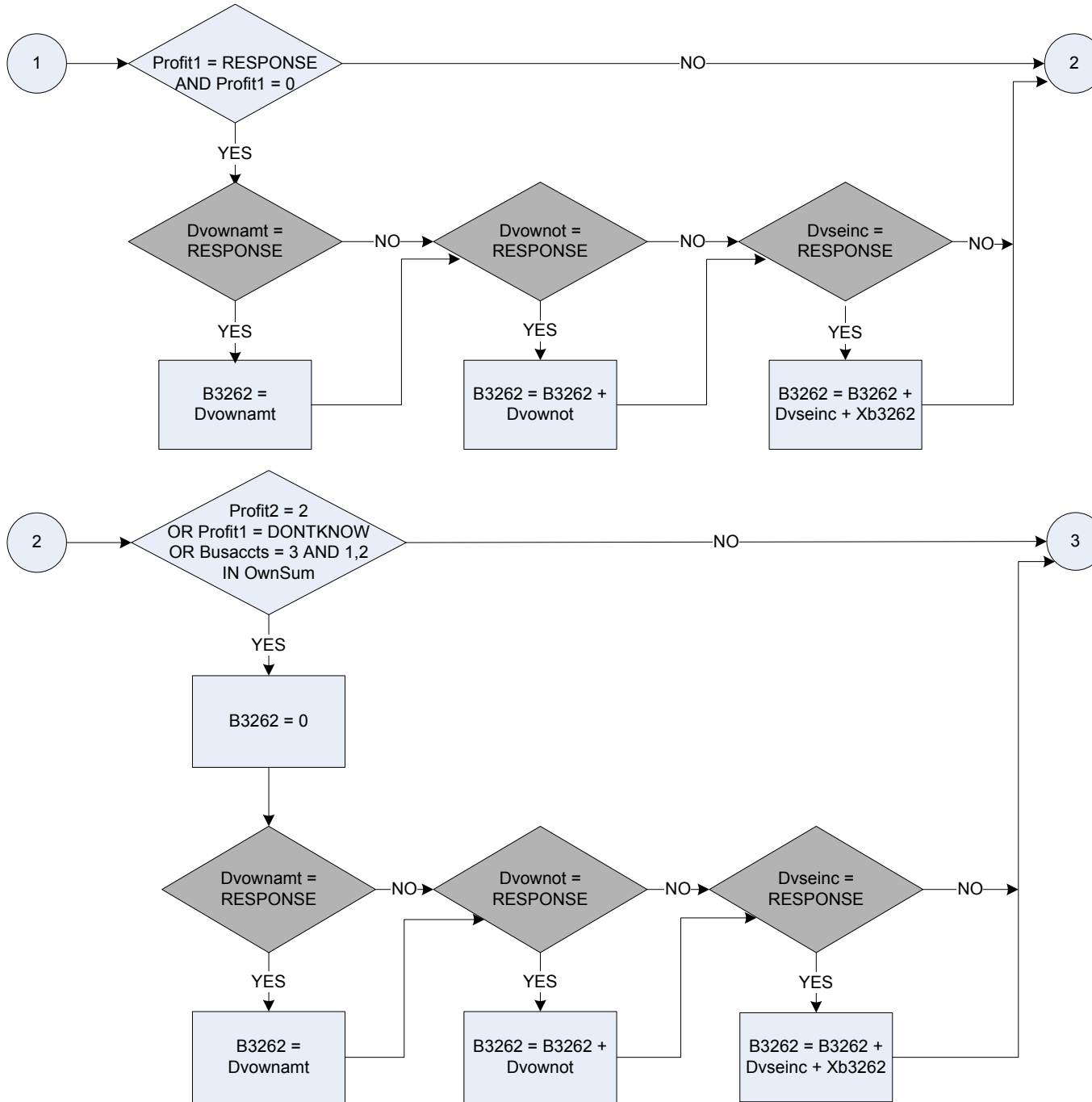
### KEY

<b>DvProf</b>	Derived from Profit to give a weekly amount – ( <i>Profit - Self-Employment: What was the profit/loss amount?</i> )
<b>JobBus</b>	Does the respondent think of themselves as having a job or a business?
<b>Bus</b>	<i>A business</i>
<b>Neither</b>	<i>(Neither of these)</i>
<b>Profit1</b>	Self-Employment: profit/loss amount
<b>Profit2</b>	Self-Employment: Did the answer in Profit1 refer to profit or loss?

# B3262 - First subsidiary job: Self employed - amount of gross income

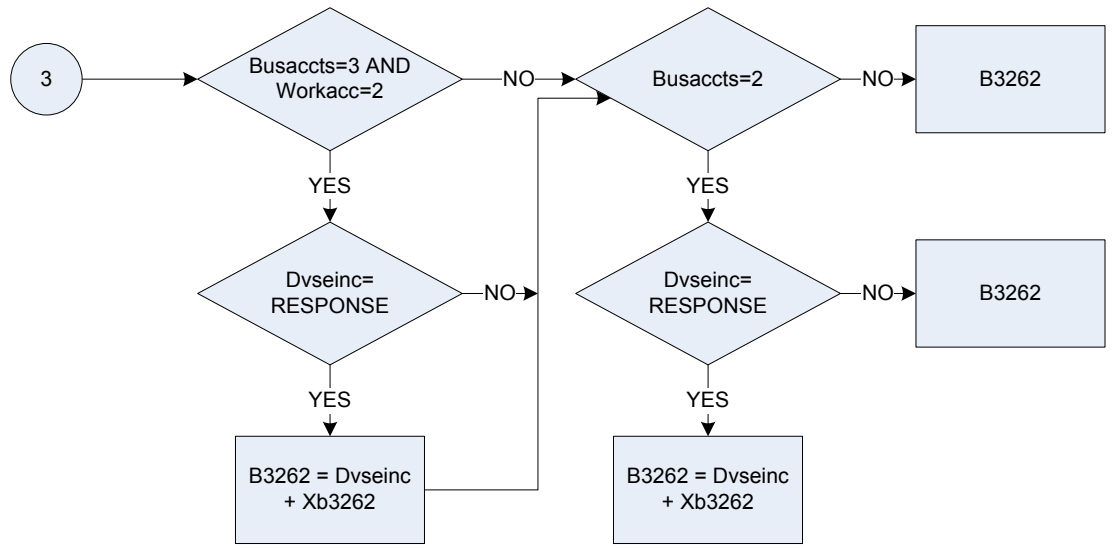


## B3262 - First subsidiary job: Self employed - amount of gross income





**B3262 - First subsidiary job: Self employed - amount of gross income**

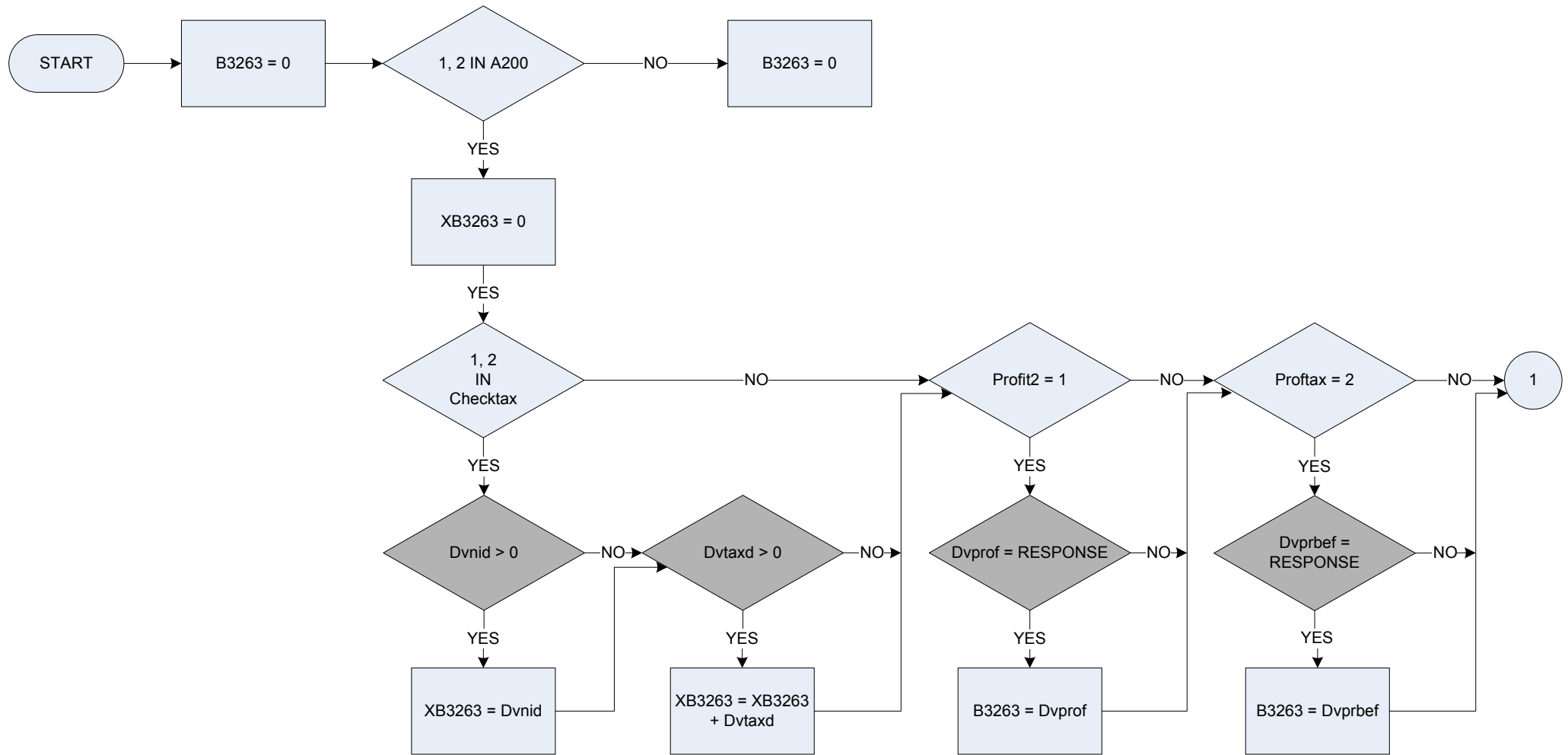


## B3262 - First subsidiary job: Self employed - amount of gross income

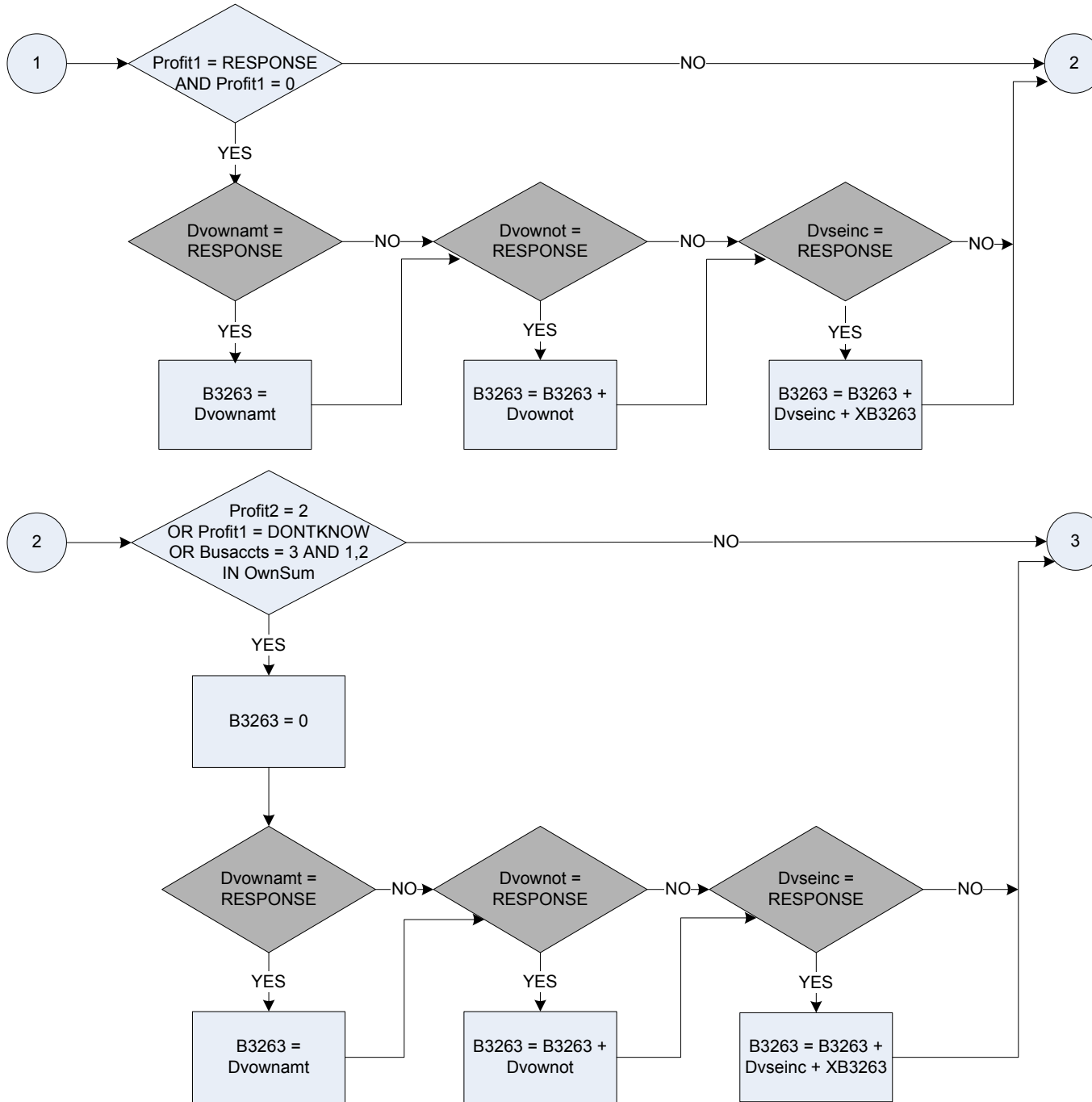
### KEY

<b>A200</b>	Employment status
	<b>0</b> Not recorded
	<b>1</b> Employee
	<b>2</b> Self-employed or employer
	<b>3</b> Out of employment seeking work within last 4 weeks & available to start a job
	<b>4</b> Out of employment waiting to start a job already obtained
	<b>5</b> Sick or injured
	<b>6</b> Retired including Job Release Scheme
	<b>7</b> Unoccupied
<b>Busacct</b>	In job/business were annual business accounts prepared for HMRC for tax purposes?
	<b>1</b> Yes
	<b>2</b> No
	<b>3</b> Not yet, but will be
<b>Checktax</b>	Was either income tax, or regular National Insurance contribution deducted at source?
	<b>1</b> Income tax deducted
	<b>2</b> Regular NI deducted
	<b>3</b> No, neither deducted
<b>DvNID</b>	Derived from NIDAmt to give a weekly amount – (NIDAmt – Self-employment: How much National Insurance was deducted last time?)
<b>Dvownam</b>	Derived from OwnAmt to give a weekly amount - (OwnAmt - Thinking of the last 12 months, on average how much did you take each month for these non-business purposes?)
<b>Dvownot</b>	Derived from OwnOtAmt to give a weekly amount– (OwnOtAmt - On average, how much is that each month?)
<b>Dvprbef</b>	Derived from PrBefore to give a weekly amount - (PrBefore - What was (the respondent's share of) the profit before tax?)
<b>DvProf</b>	Derived from Profit2 to give a weekly amount – (Profit2 - Profit/loss amount)
<b>Dvseinc</b>	Derived from Selnc to give a weekly amount - (Selnc - On average, what is the respondent's weekly or monthly income from this job/business over the last 12 months (after paying for any materials, equipment or goods that the respondent use(d) in their work?)
<b>Dvtaxd</b>	Derived from TaxDAmt to give a weekly amount - (TaxDAmt -How much Income tax was deducted last time?)
<b>Ownsum</b>	Is money drawn from work account for any non-business purposes?
	<b>1</b> Yes
	<b>2</b> No
<b>Profit1</b>	What was the profit/loss amount?
<b>Profit2</b>	Does Profit1 refer to profit or loss?
	<b>1</b> Profit
	<b>2</b> Loss
<b>Proftax</b>	Is the figure before deduction of income tax?
	<b>1</b> Before tax
	<b>2</b> After tax
<b>Workacc</b>	Is there a separate bank or building society accounts for work and private finances?
	<b>1</b> Yes
	<b>2</b> No
<b>Xb3262</b>	Temporary variable used in calculations – Second subsidiary job: Self employed – amount of gross income. This temporary variable is used to calculate and store the total amount of Income tax and National Insurance paid by the respondent; this is used later in the routing.

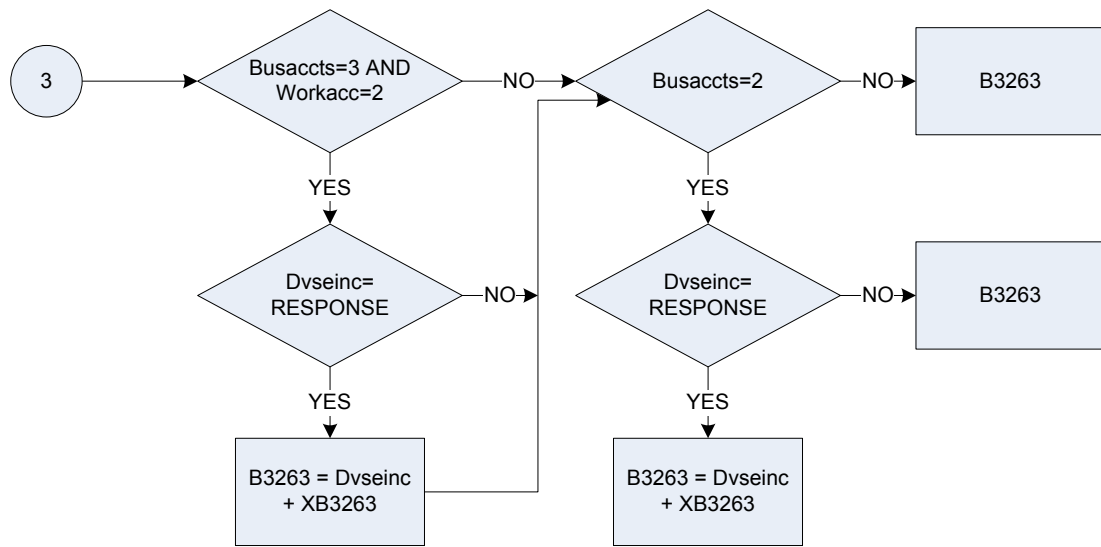
**B3263 - Second subsidiary job: Self employed - amount of gross income**



**B3263 - Second subsidiary job: Self employed - amount of gross income**



**B3263 - Second subsidiary job: Self employed - amount of gross income**

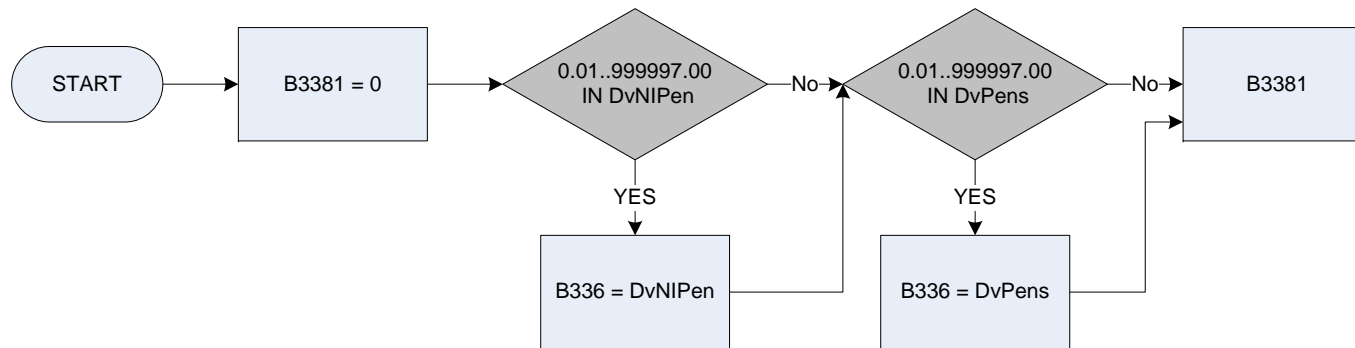


## B3263 - Second subsidiary job: Self employed - amount of gross income

### KEY

<b>A200</b>	Employment status <b>0</b> Not recorded <b>1</b> Employee <b>2</b> Self-employed or employer <b>3</b> Out of employment seeking work within last 4 weeks & available to start a job <b>4</b> Out of employment waiting to start a job already obtained <b>5</b> Sick or injured <b>6</b> Retired including Job Release Scheme <b>7</b> Unoccupied
<b>Busacct</b>	In job/business were annual business accounts prepared for HMRC for tax purposes? <b>1</b> Yes <b>2</b> No <b>3</b> Not yet, but will be
<b>Checktax</b>	Was either income tax, or regular National Insurance contribution deducted at source? <b>1</b> Income tax deducted <b>2</b> Regular NI deducted <b>3</b> No, neither deducted
<b>DvNID</b>	Derived from NIDAmt to give a weekly amount – (NIDAmt – Self-employment: How much National Insurance was deducted last time?)
<b>Dvownam</b>	Derived from OwnAmt to give a weekly amount - (OwnAmt - Thinking of the last 12 months, on average how much did you take each month for these non-business purposes?)
<b>Dvownot</b>	Derived from OwnOtAmt to give a weekly amount– (OwnOtAmt - On average, how much is that each month?)
<b>Dvprbef</b>	Derived from PrBefore to give a weekly amount - (PrBefore - What was (the respondent's share of) the profit before tax?)
<b>DvProf</b>	Derived from Profit2 to give a weekly amount – (Profit2 - Profit/loss amount)
<b>Dvseinc</b>	Derived from Selnc to give a weekly amount - (Selnc - On average, what is the respondent's weekly or monthly income from this job/business over the last 12 months (after paying for any materials, equipment or goods that the respondent use(d) in their work?)
<b>Dvtaxd</b>	Derived from TaxDAmt to give a weekly amount - (TaxDAmt -How much Income tax was deducted last time?)
<b>Ownsum</b>	Is money drawn from work account for any non-business purposes? <b>1</b> Yes <b>2</b> No
<b>Profit1</b>	What was the profit/loss amount?
<b>Profit2</b>	Does Profit1 refer to profit or loss? <b>1</b> Profit <b>2</b> Loss
<b>Proftax</b>	Is the figure before deduction of income tax? <b>1</b> Before tax <b>2</b> After tax
<b>Workacc</b>	Is there a separate bank or building society accounts for work and private finances? <b>1</b> Yes <b>2</b> No
<b>XB3263</b>	Temporary variable used in calculations – Second subsidiary job: Self employed – amount of gross income. This temporary variable is used to calculate and store the total amount of Income tax and National Insurance paid by the respondent; this is used later in the routing.

## B3381 – Retirement Pension - Usual amount received (for cases January - June 2013)

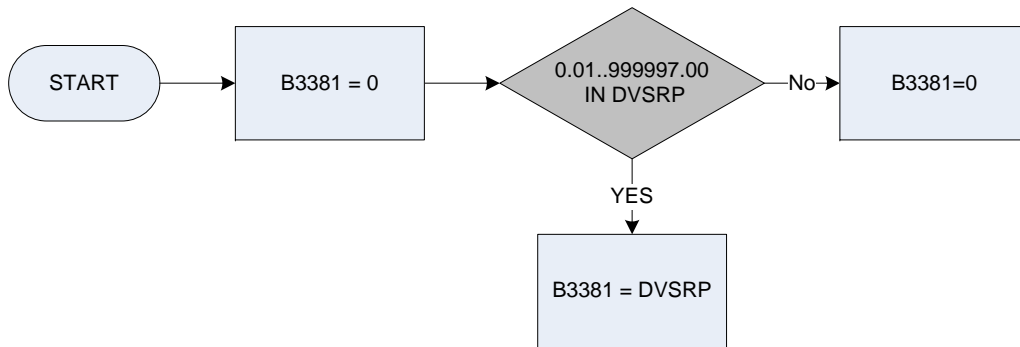


### KEY

**DvNIPen** Derived for Retirement Pension to give a weekly amount - (DVNIPen – Retirement pension – how much did respondent receive last time?)

**DvPens** Derived for Retirement Pension to give a usual weekly amount (DVPens - usual Retirement Pension amount respondent receives if last amount received was not usual))

**B3381 – State Retirement Pension - Usual amount received (for cases from July 2013)**

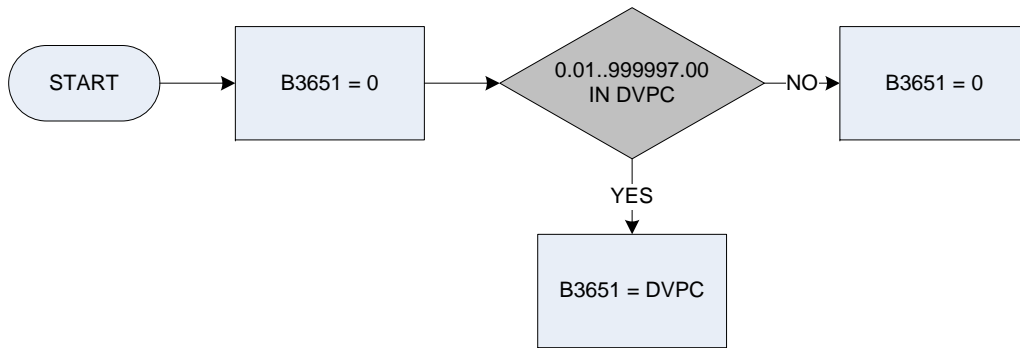


**KEY**

**DVSRP** Derived from response to Benamt to give weekly amount for State Retirement Pension (*Benamt: how much did the respondent get last time for this benefit?*)



**B3651 – Pension credit amount received (for cases January - June 2013)**

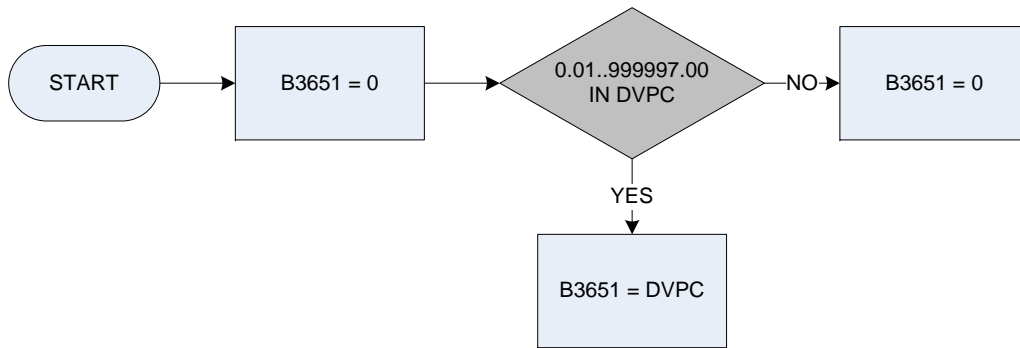


**KEY**

**DVPC**

Derived Variable for Pension Credit – (DVPC – Benefit: What was the amount received?)

## B3651 – Pension credit amount received (for cases from July 2013)

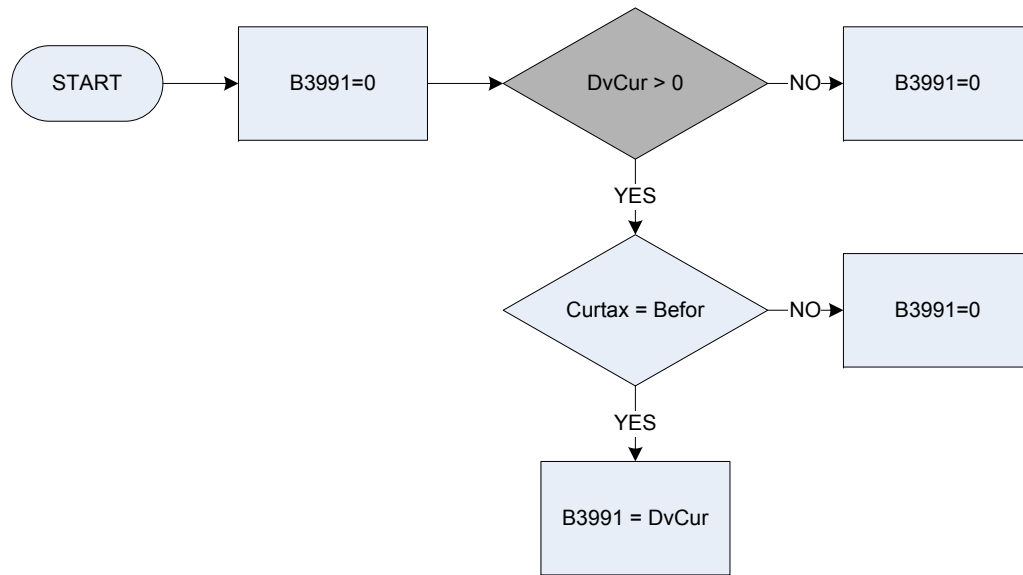


### KEY

DVPC

Derived from response to Benamt to give a weekly amount for Pension Credit (*Benamt: How much did the respondent get last time for this benefit?*)

## B3991 – Current Account before tax – interest received



### KEY

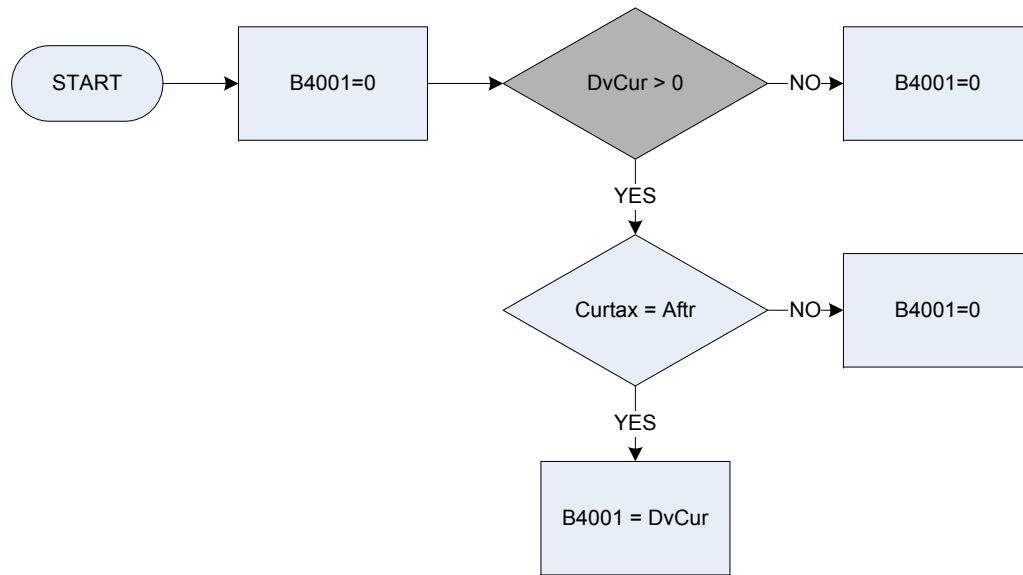
**DvCur** Derived from CurAmt to give a weekly amount – (*CurAmt – Current Account: What was the total interest over the last 12 months?*)

**Curtax** Is the interest received AFTER or BEFORE tax?

**Aftr** After tax,

**Befor** Before tax

## B4001 – Current Account after tax – interest received



### KEY

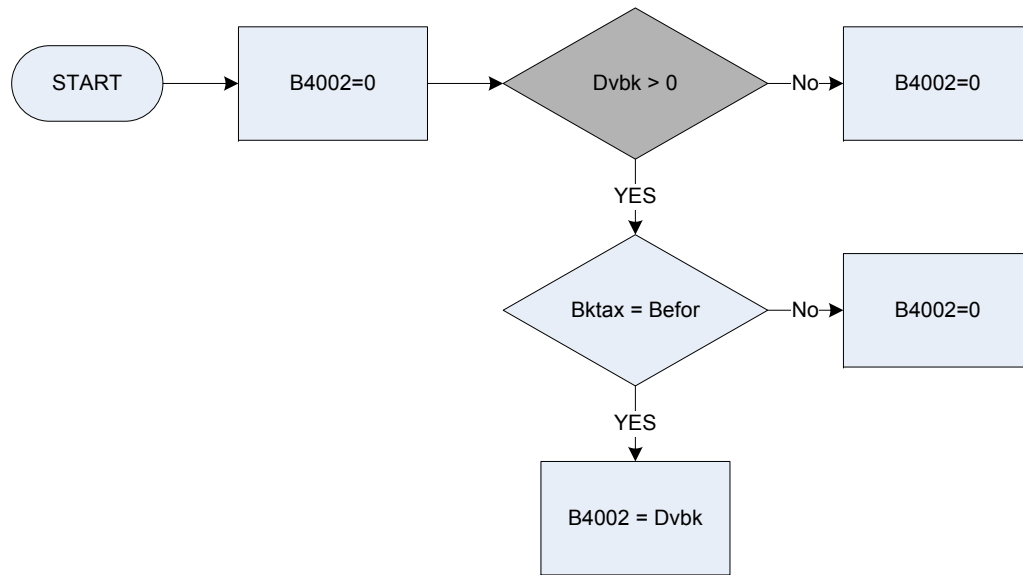
**DvCur** Derived from CurAmt to give a weekly amount – (*CurAmt – Current Account: What was the total interest over the last 12 months?*)

**Curtax** Is the interest received AFTER or BEFORE tax?

**Afr** After tax,

**Befor** Before tax

## B4002 – Bank/Building society before tax – interest received



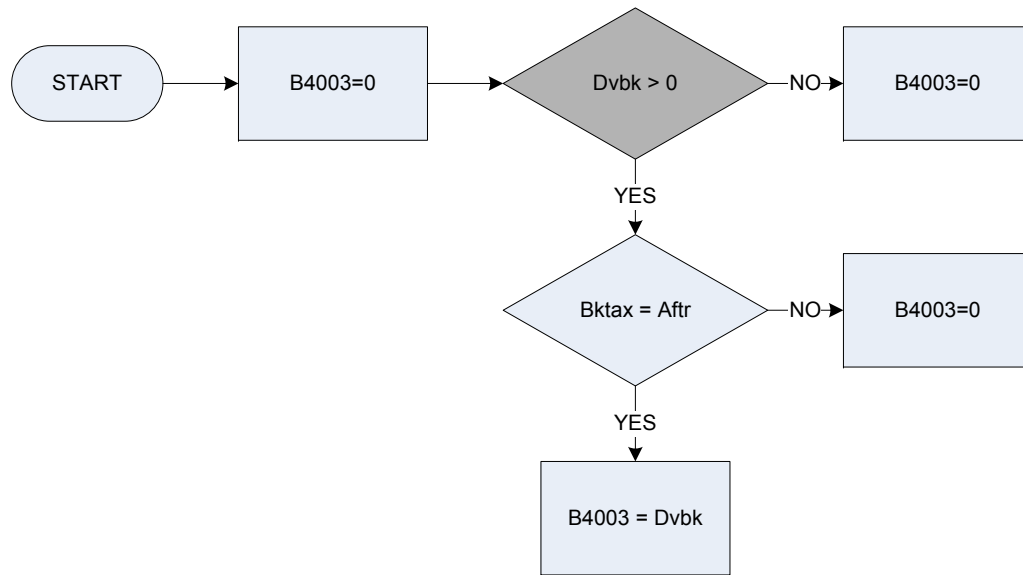
### KEY

**Dvbk** Derived from BkAmt to give a weekly amount – (*BkAmt - Bank: What was the total interest over the last 12 months?*)

**Bktax** Is the interest received AFTER or BEFORE tax?

**Aft** After tax  
**Befor** Before tax

## B4003 – Bank/Building society after tax – interest received



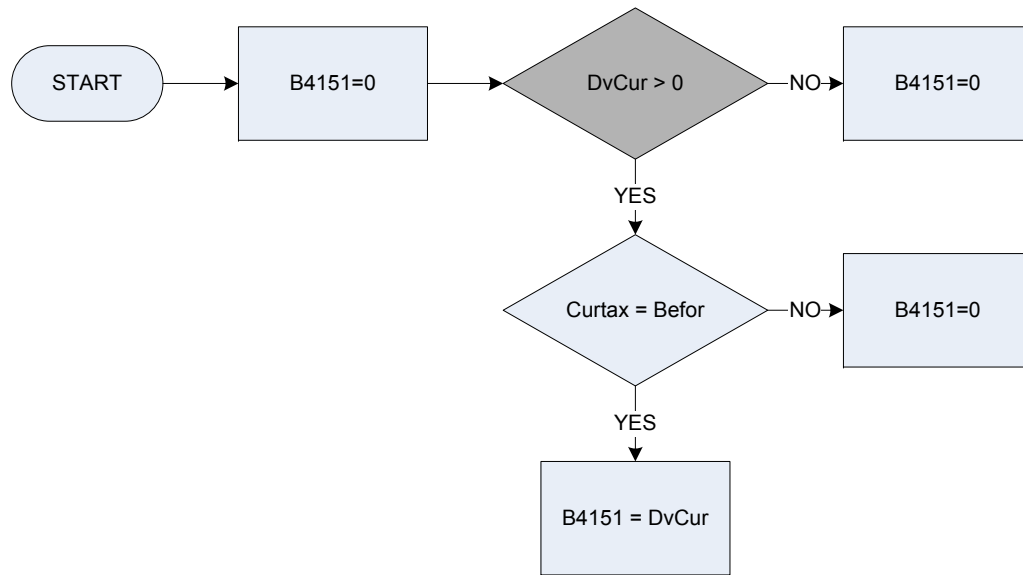
### KEY

**Dvbk** Derived from BkAmt to give a weekly amount – (*BkAmt – BANK: What was the total interest over the last 12 months?*)

**Bktax** Is the interest received AFTER or BEFORE tax?

**Afr** After tax,  
**Befor** Before tax

## B4151 – Interest received – Current Account before tax



### KEY

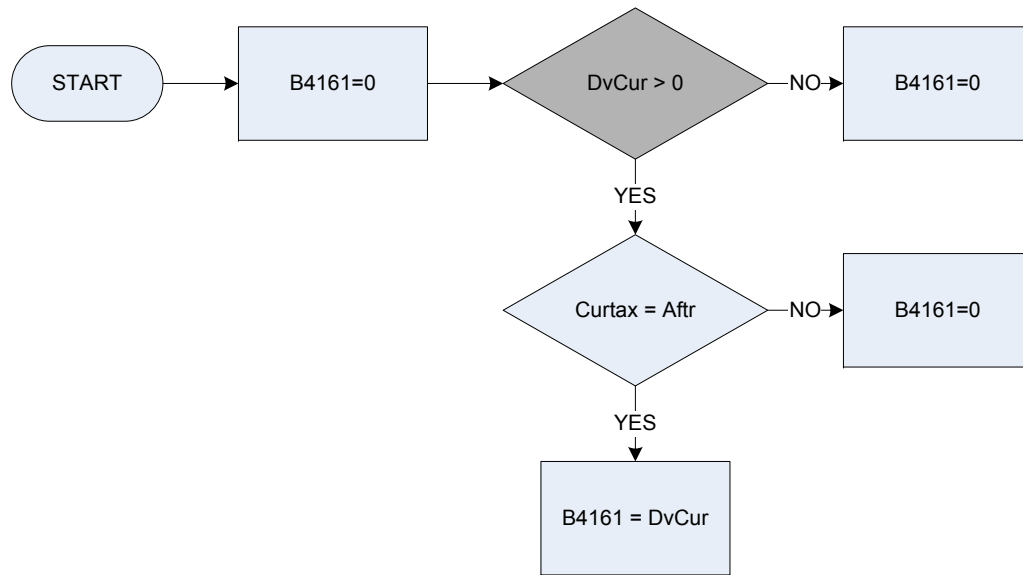
**DvCur** Derived from CurAmt to give a weekly amount – (*CurAmt – Current Account: What was the total interest over the last 12 months?*)

**Curtax** Is the interest received AFTER or BEFORE tax?

**Aftr** After tax,

**Befor** Before tax

## B4161 – Interest received – Current Account after tax



### KEY

**DvCur** Derived from CurAmt to give a weekly amount – (*CurAmt – Current Account: What was the total interest over the last 12 months?*)

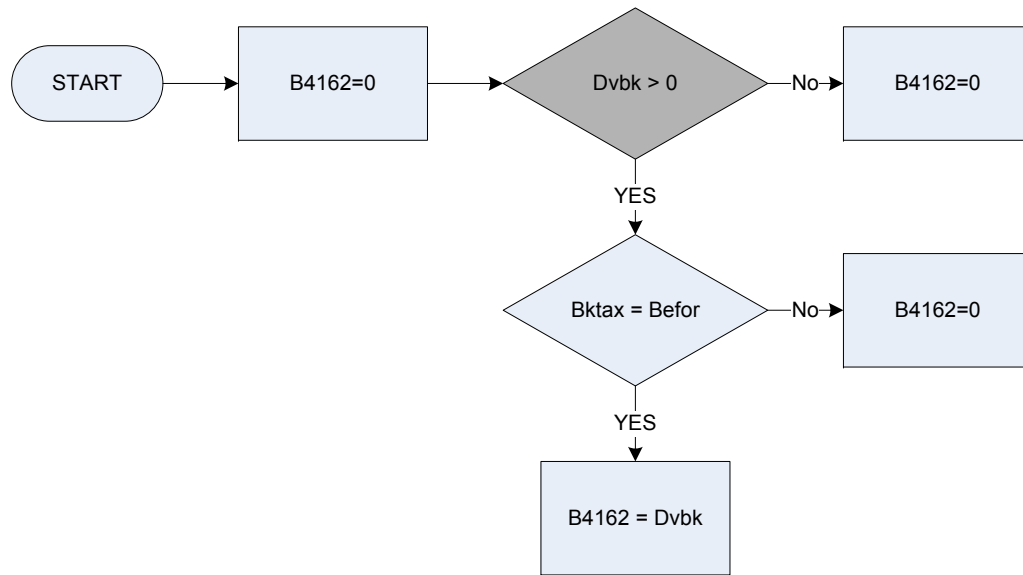
**Curtax** Is the interest received AFTER or BEFORE tax?

**Afr** After tax,

**Befor** Before tax



## B4162 – Interest received – Bank/Building society before tax



### KEY

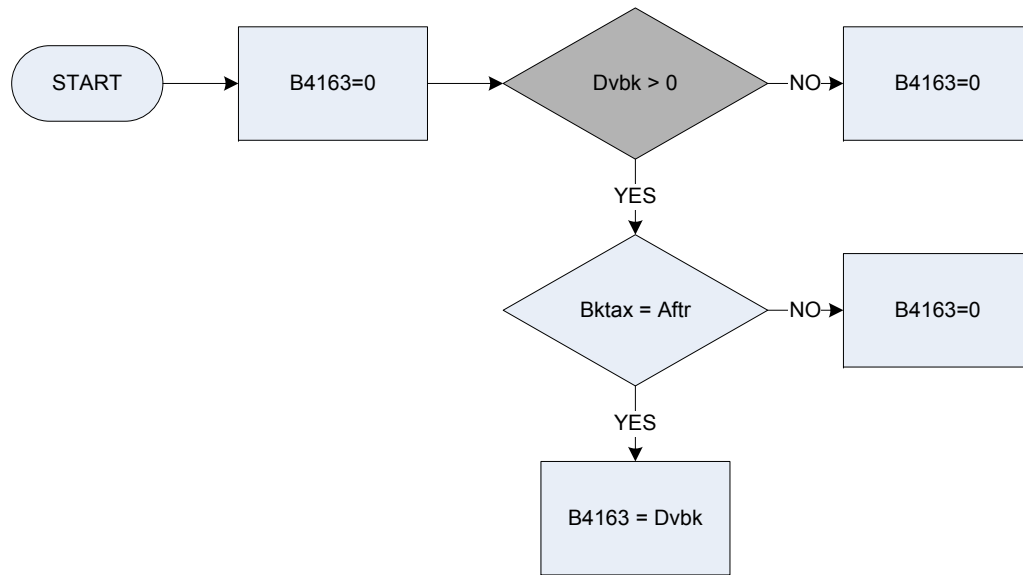
**Dvbk** Derived from BkAmt to give a weekly amount – (*BkAmt - Bank: What was the total interest over the last 12 months?*)

**Bktax** Is the interest received AFTER or BEFORE tax?

**Aftr** After tax

**Befor** Before tax

## B4163 – Interest received – Bank/Building society after tax



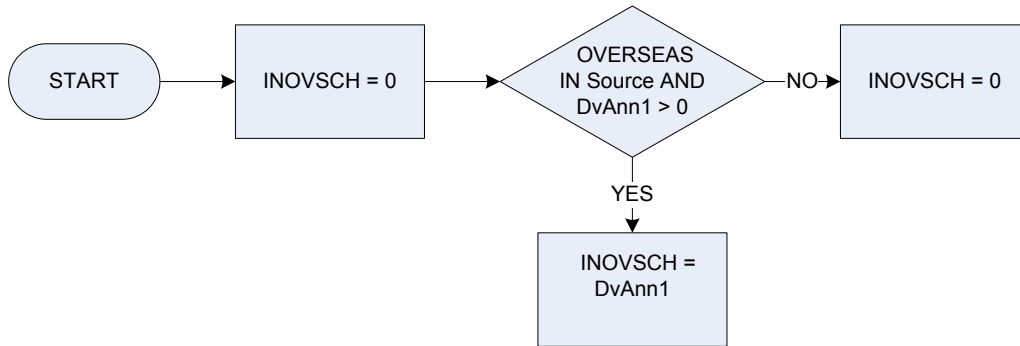
### KEY

**Dvbk** Derived from BkAmt to give a weekly amount – (*BkAmt – BANK: What was the total interest over the last 12 months?*)

**Bktax** Is the interest received AFTER or BEFORE tax?

**Afr** After tax,  
**Befor** Before tax

## INOVSCH – Education grant received from overseas sponsor



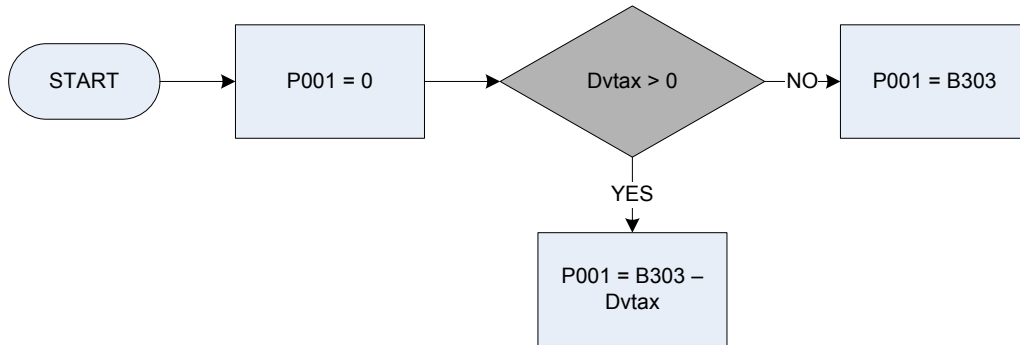
### KEY

—

**DvAnn1**  
**EGrPsn**  
**Source**

Derived from AnnFees to give a weekly amount – (*AnnFees - Education: What is the current annual value of the grant including fees?*)  
Education: Person receiving the grant  
Source: Is the source of the grant state, private or overseas?

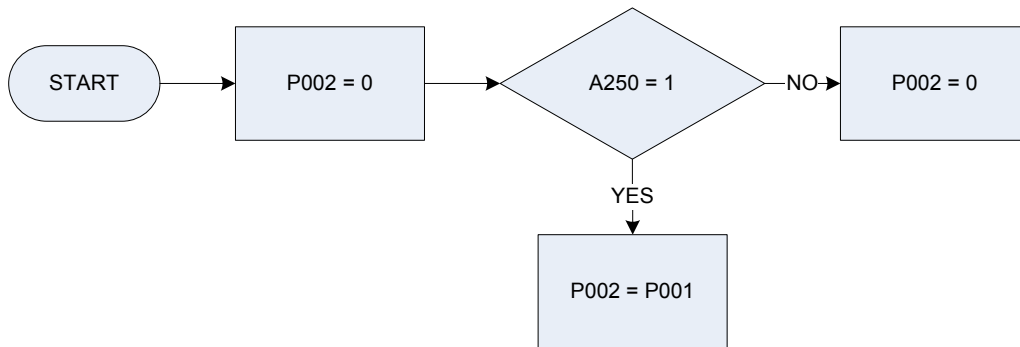
**P001 – Take home pay, last time paid (main)**



**KEY**

**B303** Pay – amount last time paid  
**Dvtax** Derived from TaxreFam to give a weekly amount – (TaxreFam – Pay: How much was the lrefund of income tax in your last pay?)

**P002 – Take home pay, last week, month (main)**

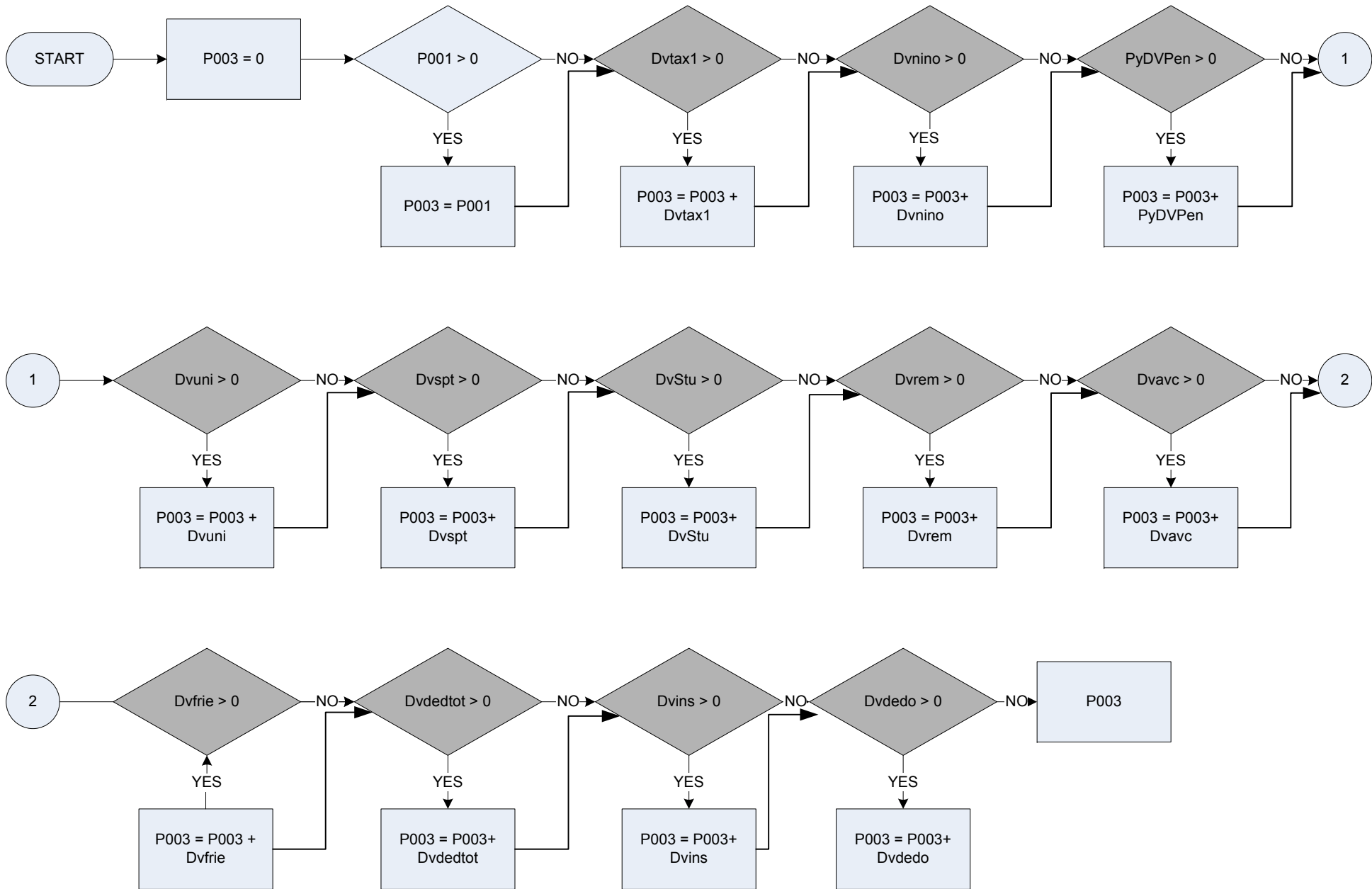


**KEY**

**A250** Main job – last pay was received in specified time period  
*0 Not recorded*  
*1 Received*

**P001** Take home pay, last time paid (main)

**P003 – Gross wage, salary last time paid (main)**

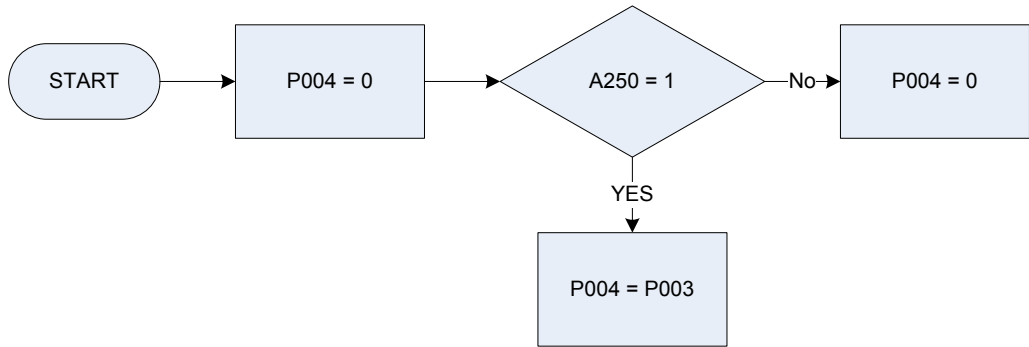


## P003 – Gross wage, salary last time paid (main)

### KEY

<b>Dvavc</b>	Derived from AVCamt to give a weekly amount – (AVCAmt -Pay: How much was deducted for AVCs?)
<b>Dvdedo</b>	Derived from PyDAmt to give a weekly amount – (PyDAmt - Pay: How much was deducted for [other deduction]?)
<b>Dvdedtot</b>	Derived from DedTot to give a weekly amount – (DedTot - Pay: How much was deducted for charities?)
<b>Dvfrie</b>	Derived from FrieAt to give a weekly amount – (Pay - FrieAt: How much was deducted for Friendly societies?)
<b>Dvins</b>	Derived from InsAmt to give a weekly amount- (Pay - InsAmt: How much was deducted for private medical insurance?)
<b>Dvnino</b>	Derived from PyNINO to give a weekly amount - (Pay – PyNINO: How much was deducted as a National Insurance Contribution?)
<b>Dvrem</b>	Derived from RemAmt to give a weekly amount- (Pay – RemAmt: How much was deducted for repaying your employer?)
<b>Dvspt</b>	Derived from SptDAmt to give a weekly amount- (Pay - SptDAmt: How much was deducted for sports clubs or specialist pastimes?)
<b>Dvtax1</b>	Derived from PyTax to give a weekly amount - (Pay - Pytax- What was the amount deducted from wage/salary for income tax under PAYE?)
<b>Dvuni</b>	Derived from UnDAmt to give a weekly amount- (Pay - UnDAmt: How much was deducted for union fees?)
<b>P001</b>	Take home pay, last time paid (main)
<b>PyDVPen</b>	Derived from PenDAmt to give a weekly amount- (Pay: How much was deducted for superannuation?)

**P004 – Gross wage, salary last week, month (main)**

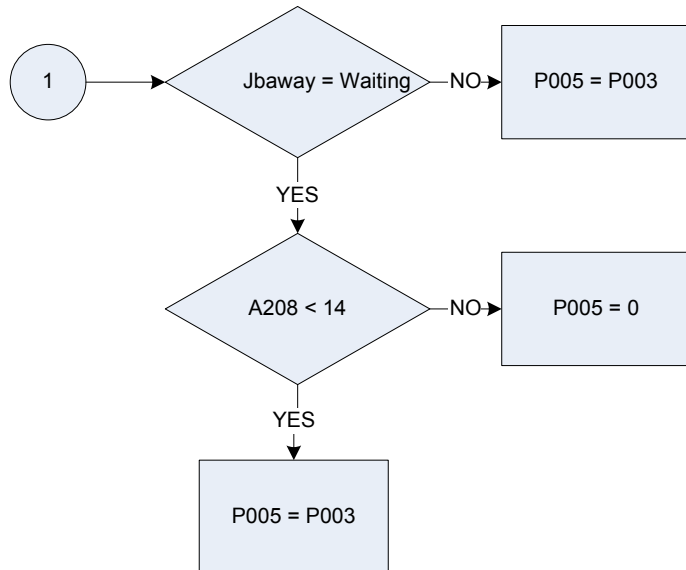
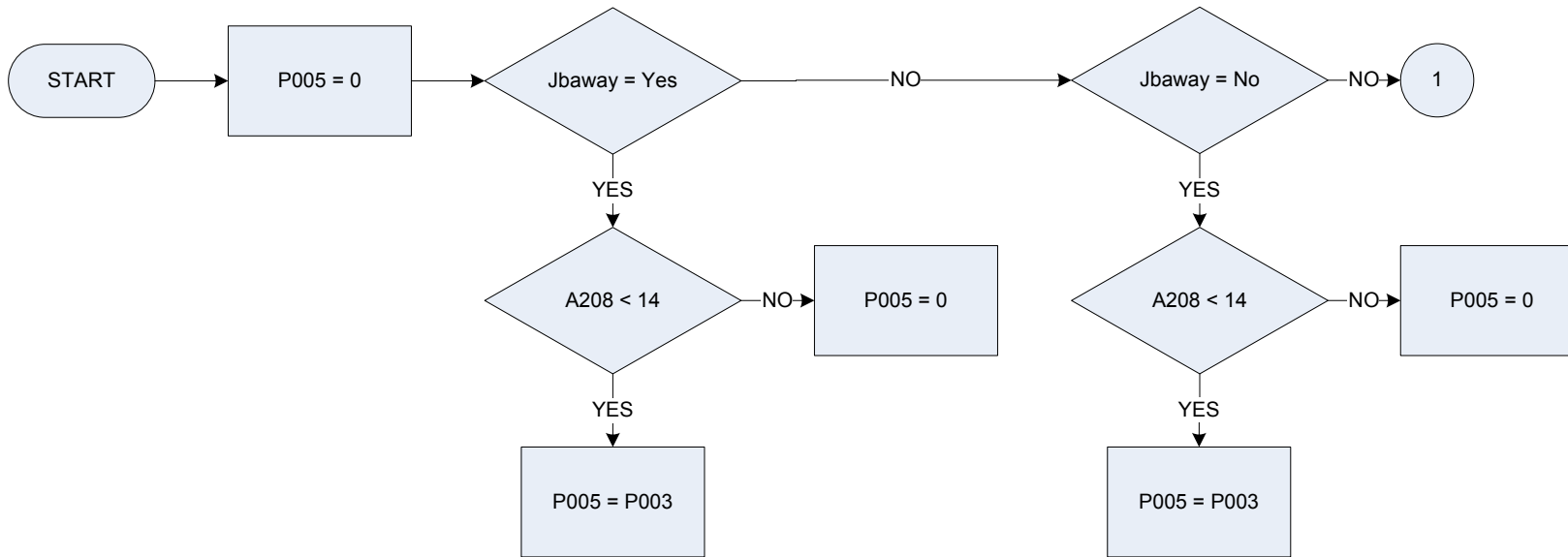


**KEY**

- A250** Main job – last pay received in specified time period  
*0 Not recorded*  
*1 Received*
- P003** Gross wage, salary last time paid (main)



**P005 – Gross wage, salary last time paid (main – 13 weeks)**



**KEY**

**A208**

Number of weeks away from work

**Jbaway**

Did respondent have a job or business that they were away from?

**Yes**

"Yes"

**No**

"No"

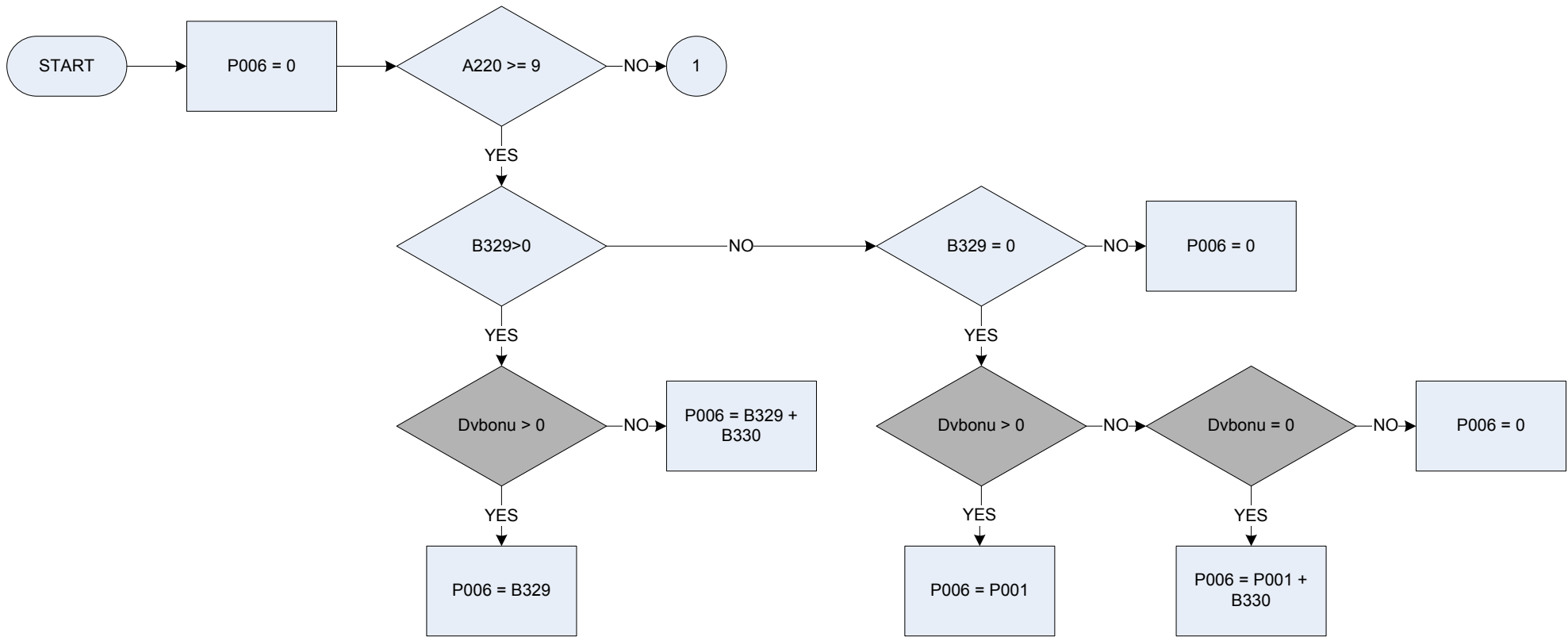
**Waiting**

"Waiting to take up a new job/business already obtained"

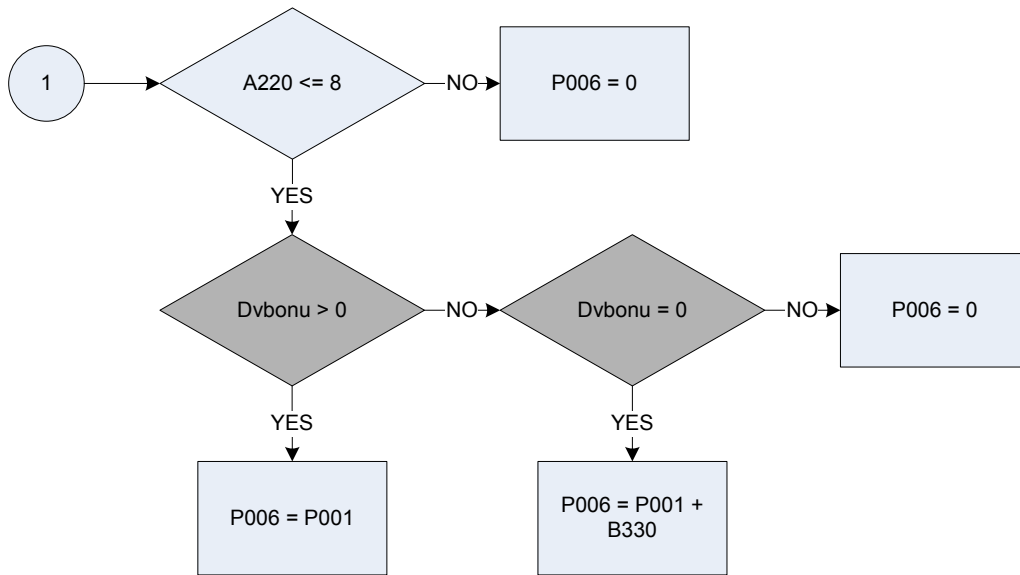
**P003**

Gross wage, salary last time paid (main)

# P006 – Normal take home pay



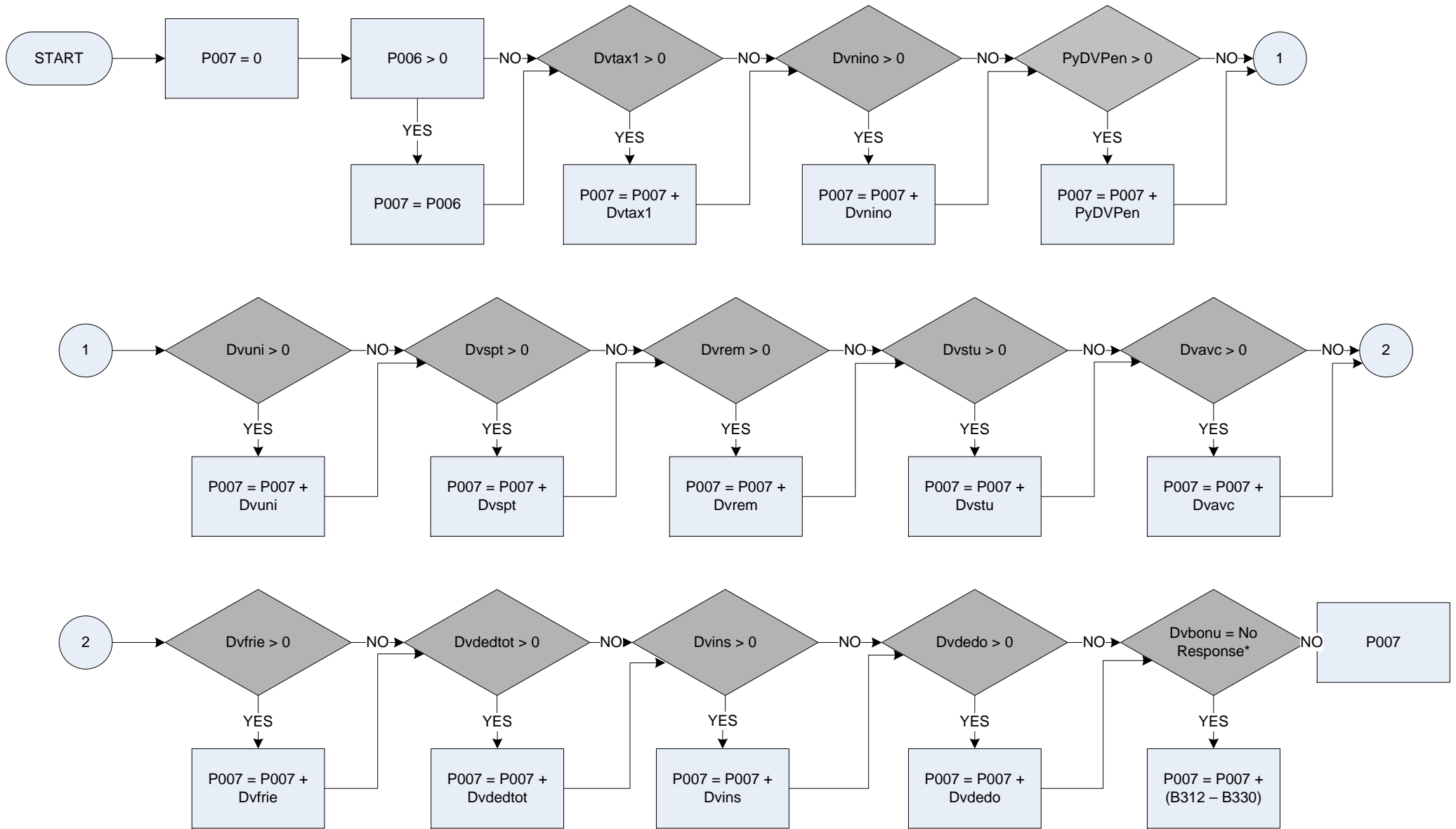
## P006 – Normal take home pay



### KEY

<b>A220</b>	Usual weekly hours (excluding breaks & overtime)
<b>B329</b>	Usual net pay – employee
<b>B330</b>	Bonus earnings - net amount
<b>Dvbonu</b>	Derived from BonUPAmt to give a weekly amount – <i>(BonUPAmt – Pay: How much bonus/commission is included?)</i>
<b>P001</b>	Take home pay, last time paid (main)

**P007 – Normal gross wage, salary**



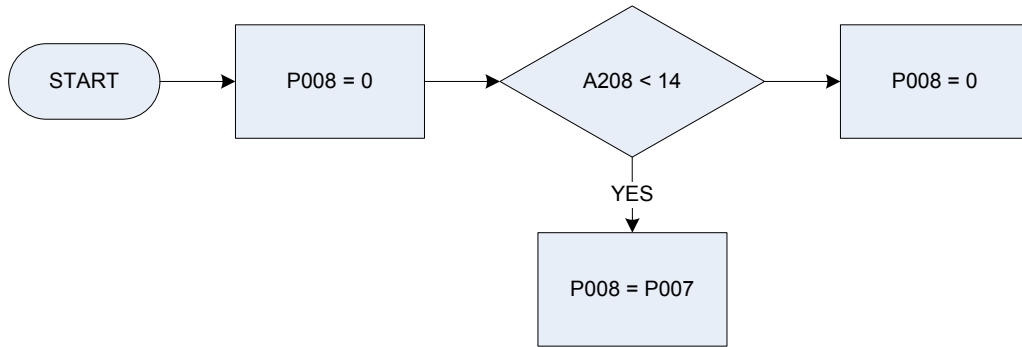
## P007 – Normal gross wage, salary

### KEY

\* 'No response' indicates that the respondent was not routed to the question or the respondent did not answer

<b>B312</b>	Bonus earnings – gross amount
<b>B330</b>	Bonus earnings – net amount
<b>Dvavc</b>	Derived from AVC Amt to give a weekly amount - (AVCAmt - Pay: How much was deducted for AVCs?)
<b>Dvbonu</b>	Derived from BonUP Amt to give a weekly amount – (BonUP Amt - Pay: How much bonus/commission is included?)
<b>Dvdedo</b>	Derived from PyD Amt to give a weekly amount – (PyD Amt - Pay: How much was deducted for [other deduction]?)
<b>Dvdedtot</b>	Derived from DedTot to give a weekly amount – (DedTot - Pay: How much was deducted for charities?)
<b>Dvfrie</b>	Derived from FrieAt to give a weekly amount – (FrieAt - Pay: How much was deducted for Friendly societies?)
<b>Dvins</b>	Derived from InsAmt to give a weekly amount – (InsAmt - Pay: How much was deducted for private medical insurance?)
<b>Dvnino</b>	Derived from PyNINO to give a weekly amount – (PyNINO - Pay: How much was deducted as a National Insurance Contribution?)
<b>Dvrem</b>	Derived from RemAmt to give a weekly amount – (RemAmt - Pay: How much was deducted for repaying your employer?)
<b>Dvstu</b>	Derived from StuAmt to give a weekly amount – (StuAmt - Pay: How much was deducted for your student loan?)
<b>Dvspt</b>	Derived from SptDAmt to give a weekly amount – (SptDAmt - Pay: How much was deducted for sports clubs or specialist pastimes?)
<b>Dvtax1</b>	Derived from PyTax to give a weekly amount – (PyTax – Pay: amount deducted from wage/salary for income tax under PAYE)
<b>Dvuni</b>	Derived from UnDAmt to give a weekly amount – (UnDAmt - Pay: How much was deducted for union fees?)
<b>P006</b>	Normal take home pay
<b>PyDVPen</b>	Derived from PenDAmt to give a weekly amount – (PenDAmt - Pay: How much was deducted for superannuation?)

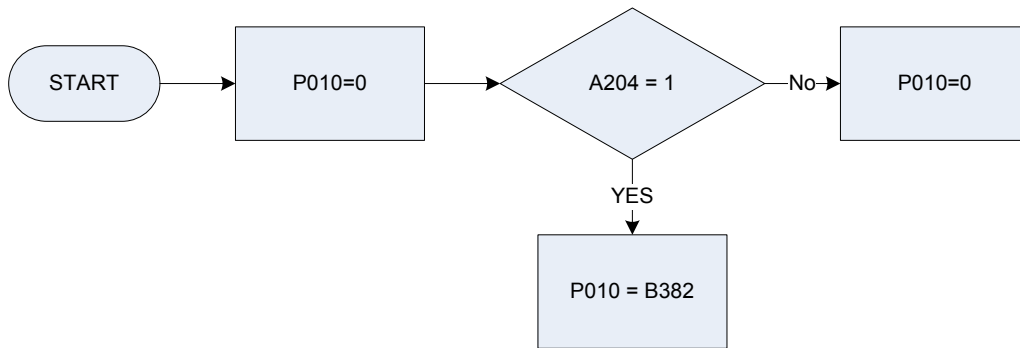
**P008 – Normal gross wage, salary (13 week rule)**



**KEY**

**A208** Number of weeks away from work  
**P007** Normal gross wage, salary

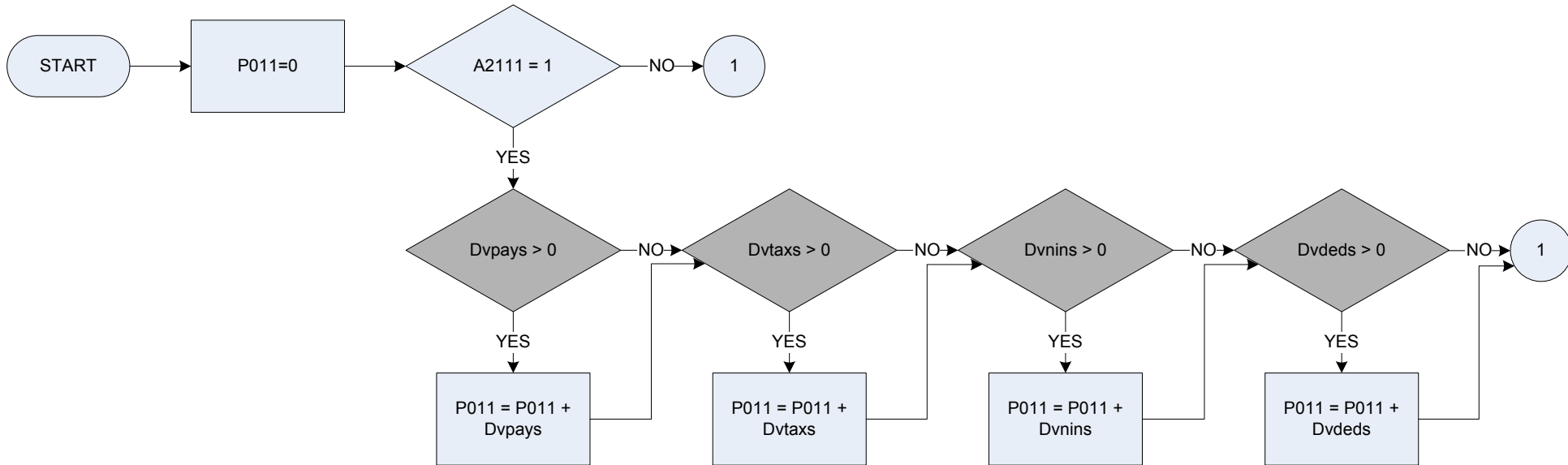
## P010 – Government Training Programme allowance - current



### KEY

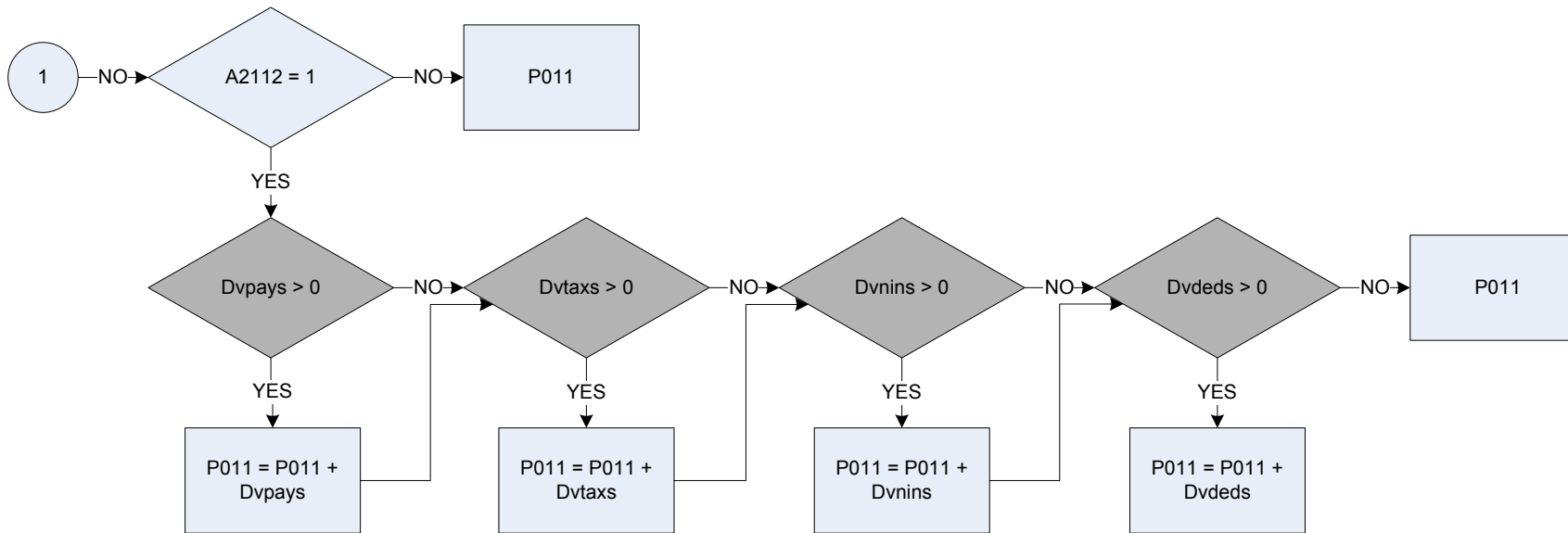
<b>A204</b>	Government training programme
<b>0</b>	No government training programme
<b>1</b>	Government training programme
<b>B382</b>	Government training scheme – allowance received

# P011 – Subsidiary jobs gross wage - last time paid (13 week rule)





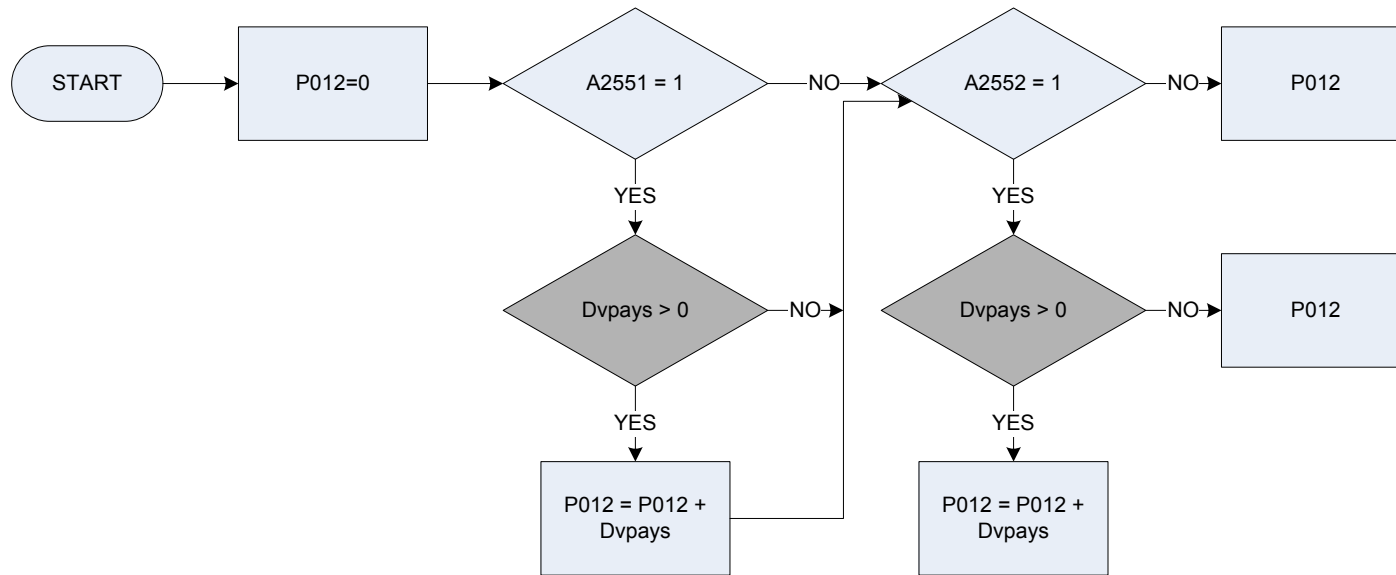
## P011 – Subsidiary jobs gross wage - last time paid (13 week rule)



### KEY

<b>A2111</b>	First subsidiary job - employment: paid in last 13 wks 0 Not recorded 1 Yes
<b>A2112</b>	Second subsidiary job - employment: paid in last 13 wks 0 Not recorded 1 Yes
<b>Dvpays</b>	Derived from SJbAmt to give a weekly amount – (SJbAmt – Subsidiary Job: What was the respondents LAST take home pay, (what will be their take home pay) including overtime, b bonus, commission or tips?)
<b>Dvtaxs</b>	Derived from SJbTax to give a weekly amount – (SJbTax – Subsidiary Job: How much was deducted from the respondents wage/salary for income tax under PAYE?)
<b>Dvnins</b>	Derived from SJbNino to give a weekly amount – (SJbNINO – Subsidiary Job: How much was deducted as National Insurance Contribution?)
<b>Dvdeds</b>	Derived from SJbDAmt to give a weekly amount – (SJbDAmt – Subsidiary Job: How much was deducted for this deduction?)

## P012 – Subsidiary jobs – last take home pay



### KEY

**A2551** First subsidiary job - employee: last pay was received in specified time period

0 Not recorded

1 Yes

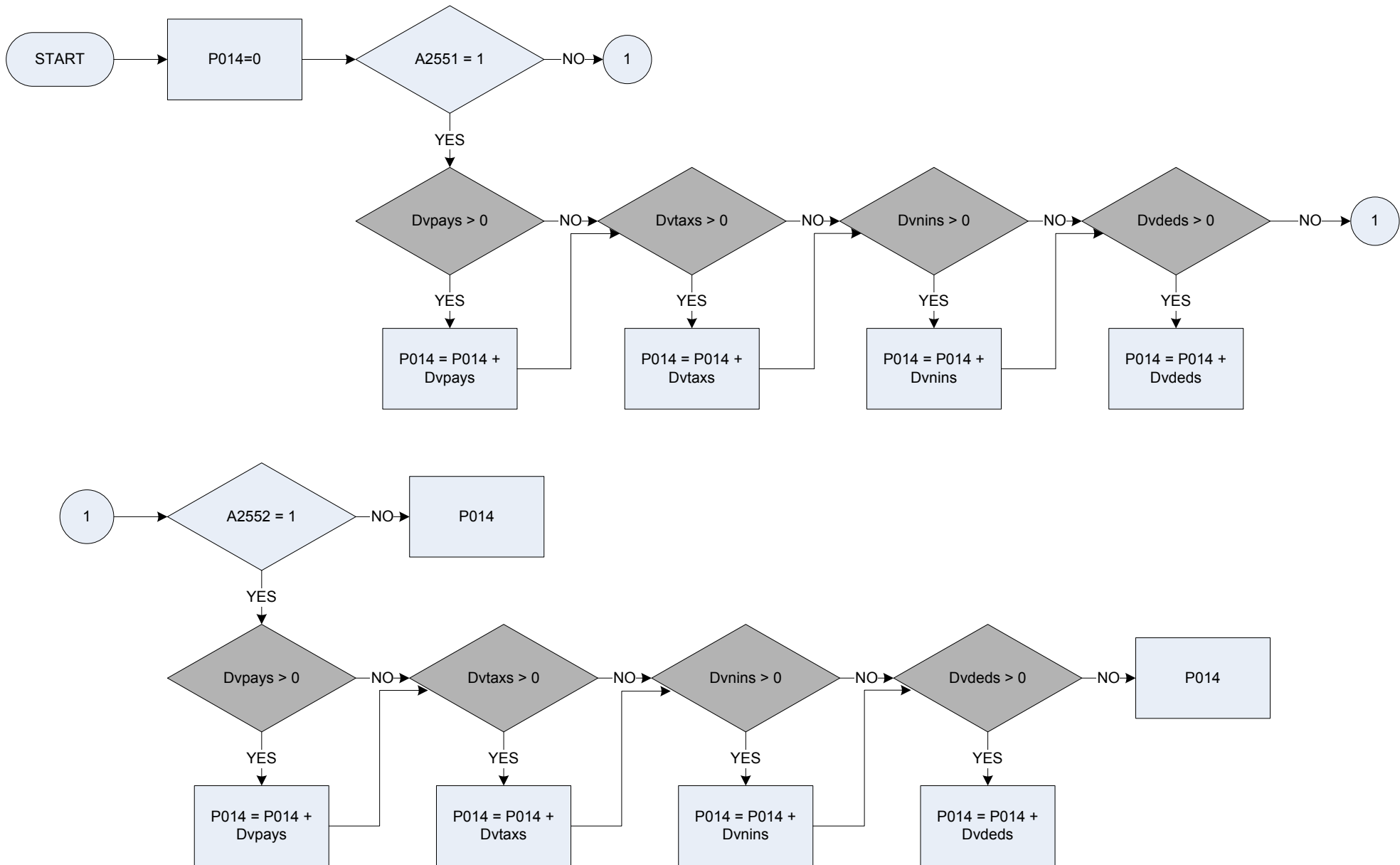
**A2552** Second subsidiary job – employee: last pay was received in specified time period

0 Not recorded

1 Yes

**Dvpays** Derived from SJbAmt – (SJbAmt - Subsidiary Job: What was the respondents LAST take home pay, (what will be the take home pay) including overtime, bonus, commission or tips?)

**P014 – Subsidiary jobs gross wage - salary last week, month**

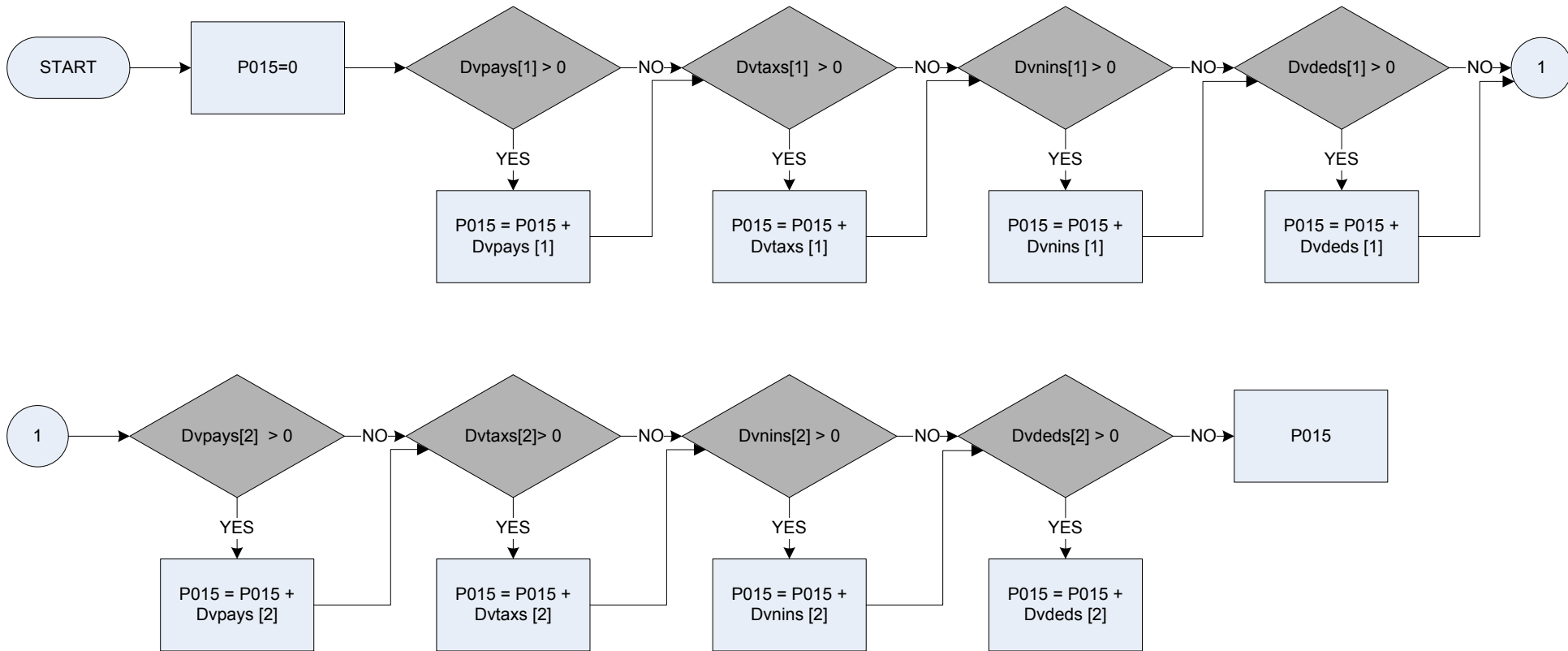


**P014 – Subsidiary jobs gross wage - salary last week, month**

**KEY**

- A2551** First subsidiary job - employee: last pay was received in specified time period  
**0** Not recorded  
**1** Yes
- A2552** Second subsidiary job – employee: last pay was received in specified time period  
**0** Not recorded  
**1** Yes
- Dvpays** Derived from SJbAmt to give a weekly amount – (*SJbAmt – Subsidiary Job: What was the respondents LAST take home pay, (what will be their take home pay) including overtime, bonus, commission or tips?*)
- Dvtaxs** Derived from SJbTax to give a weekly amount – (*SJbTax – Subsidiary Job: How much was deducted from the respondents wage/salary for income tax under PAYE?*)
- Dvnins** Derived from SJbNino to give a weekly amount – (*SJbNINO – Subsidiary Job: How much was deducted as National Insurance Contribution?*)
- Dvdeds** Derived from SJbDAmt to give a weekly amount – (*SJbDAmt – Subsidiary Job: How much was deducted for this deduction?*)

## P015 – Subsidiary jobs gross wage - salary last time paid



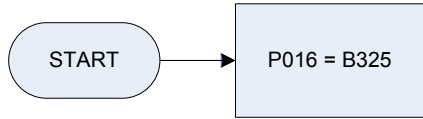
### KEY

- Dvdeds** Derived from SJDAMt to give a weekly amount - (SJDAMt – Subsidiary Job: How much was deducted for this deduction?)
- Dvnins** Derived from SJBnino to give a weekly amount - (SJBnino – Subsidiary Job: How much was deducted as National Insurance Contribution?)
- Dvpays** Derived from SJBAMt to give a weekly amount – (SJBAMt – Subsidiary Job: What was the respondents LAST take home pay, (what will be their take home pay) including overtime, bonus, commission or tips?)
- Dvtaxes** Derived from SJBTax to give a weekly amount – (SJBTax – Subsidiary Job: How much was deducted from the respondents wage/salary for income tax under PAYE?)

### NOTE

- Coding allows for up to 2 subsidiary jobs:
- [1] Subsidiary job number one/ second job.
- [2] Subsidiary job number two/ third job.

**P016 – Current industrial injury disablement benefit**

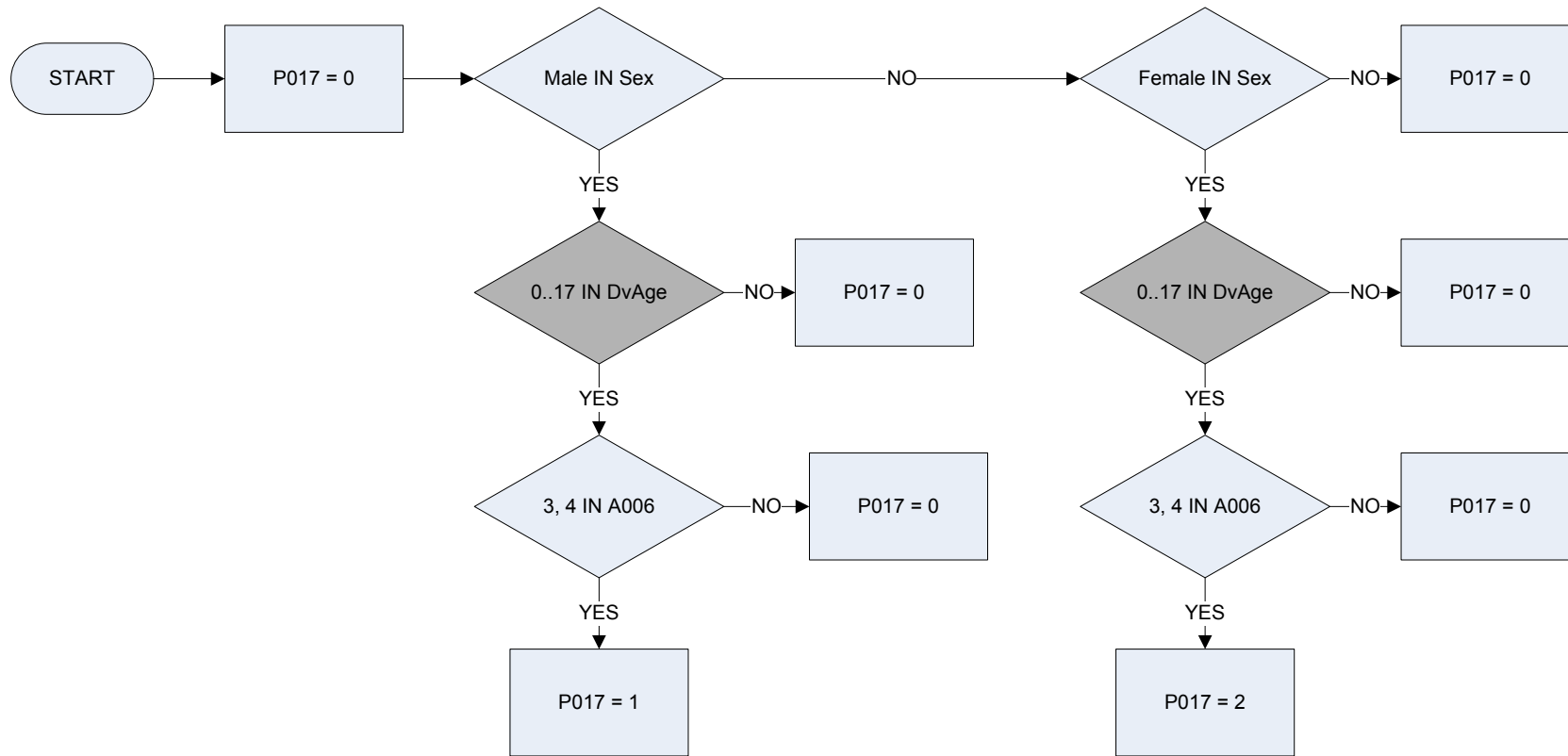


**KEY**

**B325**

Industrial injury disablement benefit – What was the last amount received?

## P017 – Dependent child aged under 18



### KEY

#### A006

Marital status

- 1 spouse in household
- 2 spouse not household
- 3 Cohabitee
- 4 Single
- 5 Widowed
- 6 Divorced
- 7 Separated
- 8 Civil Partner in HH
- 9 Civil Partner not in HH
- 10 Former Civil Partner

#### DvAge

Derived from Birth and Agelf - Age for whole sample

#### P017

Child aged under 18

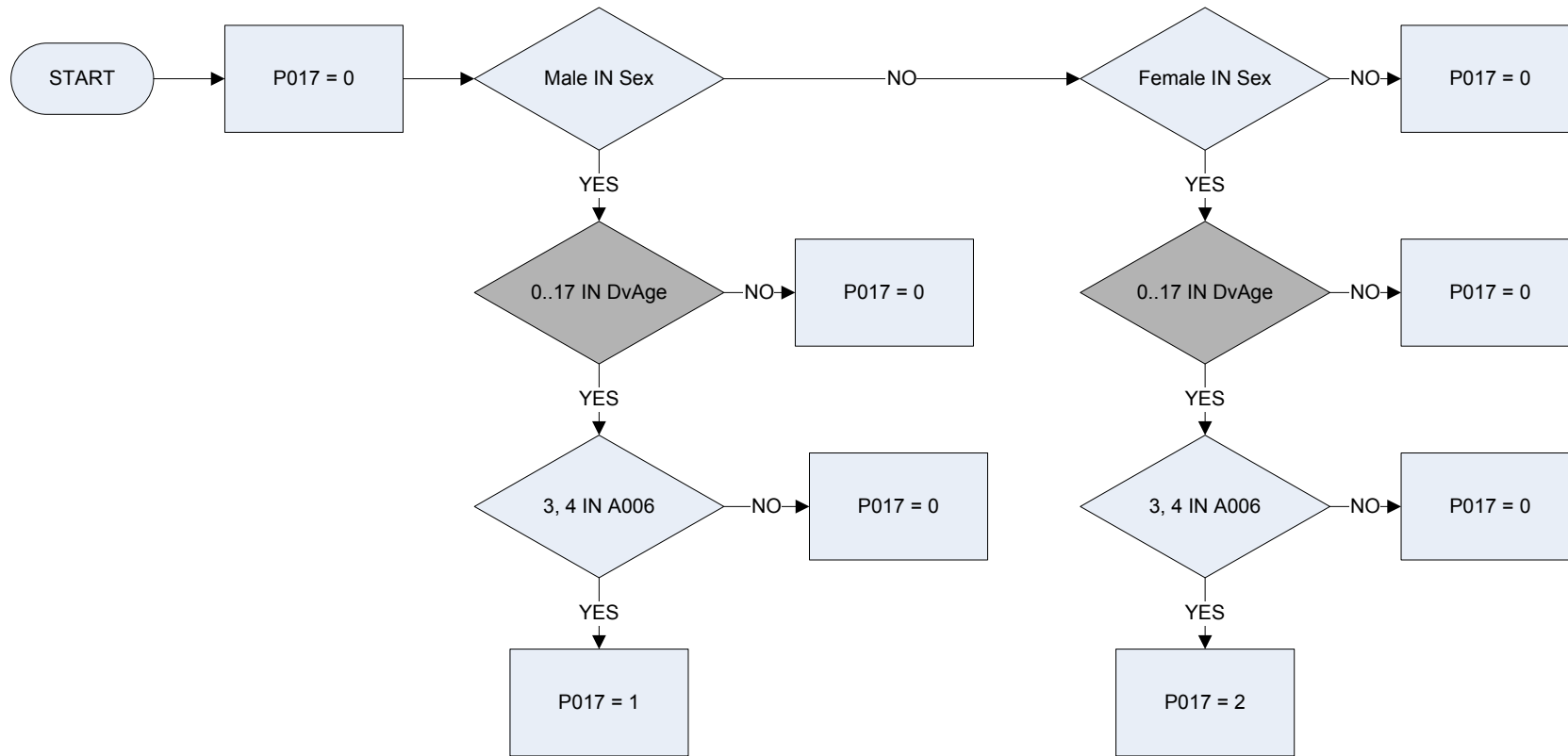
- 0 Not recorded
- 1 Male child under 18
- 2 Female child under 18

#### Sex

Sex

- 1 Male
- 2 Female

## P017 – Dependent child aged under 18



### KEY

#### A006

Marital status

- 1 spouse in household
- 2 spouse not household
- 3 Cohabitee
- 4 Single
- 5 Widowed
- 6 Divorced
- 7 Separated
- 8 Civil Partner in HH
- 9 Civil Partner not in HH
- 10 Former Civil Partner

#### DvAge

Derived from Birth and Agelf - Age for whole sample

#### P017

Child aged under 18

- 0 Not recorded
- 1 Male child under 18
- 2 Female child under 18

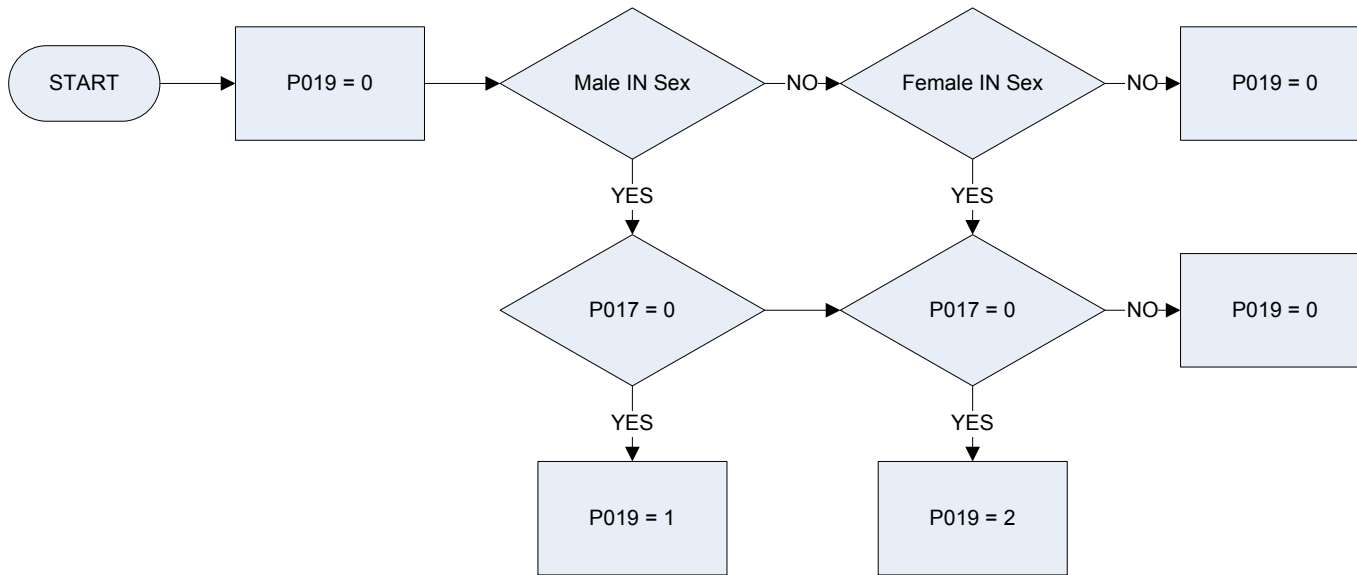
#### Sex

Sex

- 1 Male
- 2 Female



**P019 - Adult**



**KEY**

**DvAge**  
**P017**

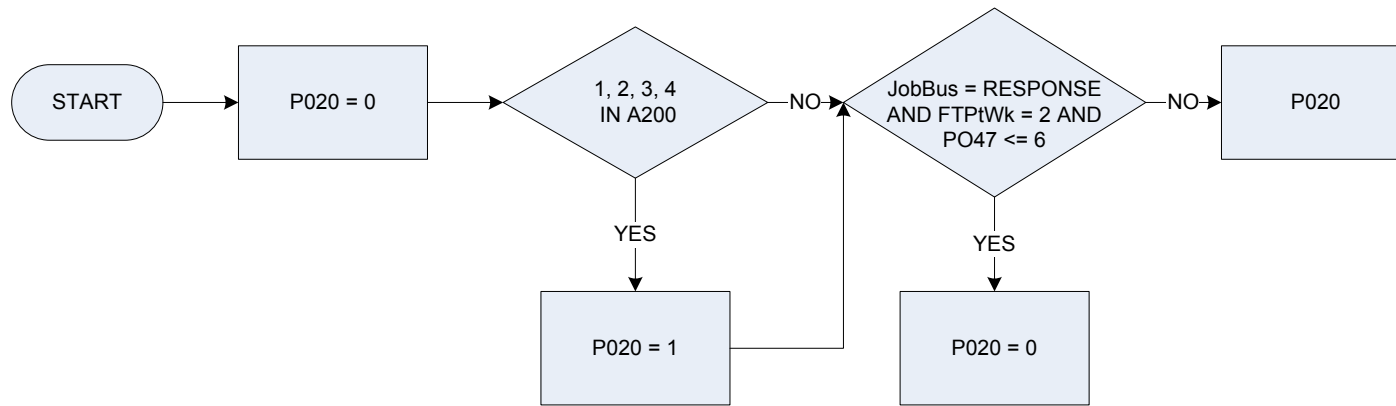
Derived from Birth and Agelf - Age for whole sample  
Child aged under 18

- 0** Not recorded
- 1** Male child under 18
- 2** Female child under 18

**P019**

- Adult
- 0** Not recorded
- 1** Male adult
- 2** Female adult

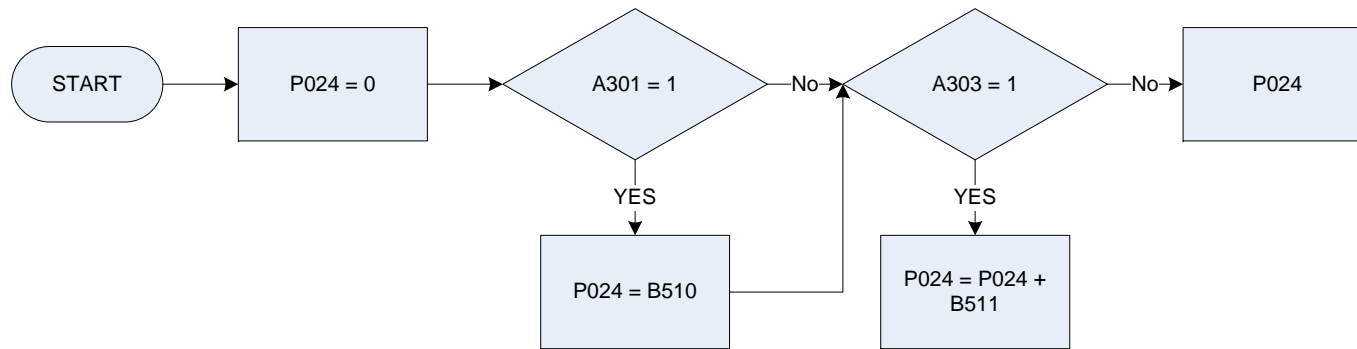
## P020 – Person working



### KEY

<b>A200</b>	Employment status
<b>0</b>	Not recorded
<b>1</b>	Employee
<b>2</b>	Self-employed or employer
<b>3</b>	Out of employment, seeking work within last 4 weeks & available to start a job
<b>4</b>	Out of employment, waiting to start a job already obtained
<b>5</b>	Sick or injured
<b>6</b>	Retired including Job Release Scheme
<b>7</b>	Unoccupied
<b>Jobbus</b>	To have a job or business
<b>FTPtWk</b>	Working part time in main job
<b>P020</b>	Person working
<b>0</b>	Not recorded
<b>1</b>	Worker (1990 defn)
<b>P047</b>	Income from self-employment

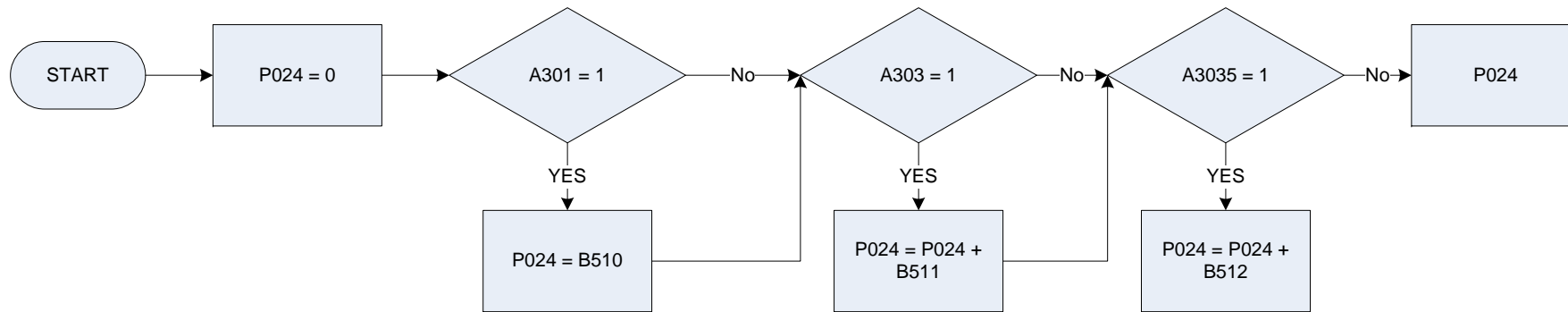
**P024 – Job Seekers Allowance – current (for cases January - June 2013)**



**KEY**

- A301** JSA (contribution based) receiving at present
- A303** JSA (income based) – receiving at present
- B510** JSA (contribution based) – last amount received
- B511** JSA (income based) – amount received

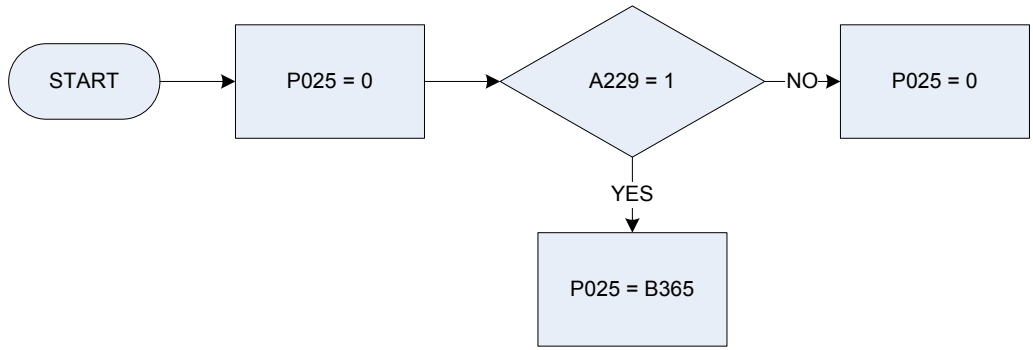
## P024 – Job Seekers Allowance – current (for cases from July 2013)



### KEY

<b>A301</b>	JSA (contribution based) receiving at present
<b>A303</b>	JSA (income based) – receiving at present
<b>A3035</b>	JSA (combination of contribution and income based) – receiving at present
<b>B510</b>	JSA (contribution based) – last amount received
<b>B511</b>	JSA (income based) – amount received
<b>B512</b>	JSA (combination of contribution and income based) – amount received

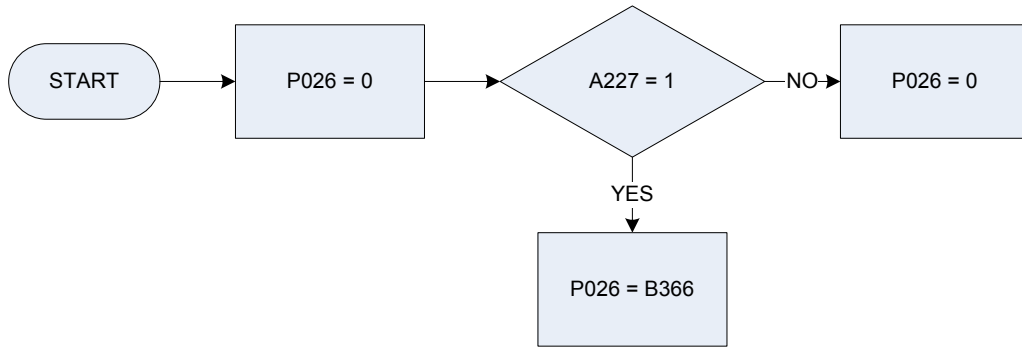
**P025 – Income support amount received**



**KEY**

**A229** Income support – receiving at present  
**B365** Income support – amount received

**P026 – Incapacity benefit – amount received at present**

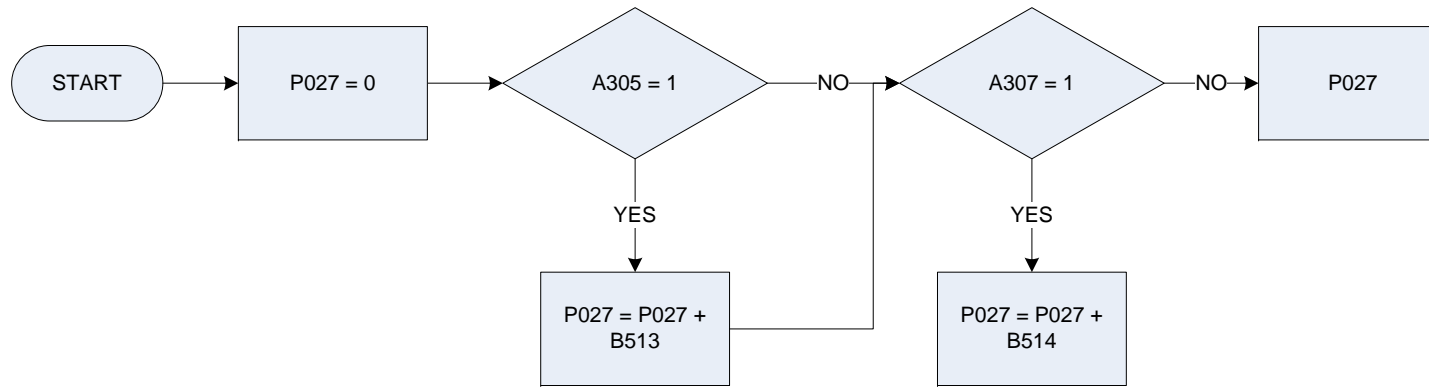


**KEY**

**A227**  
**B366**

Incapacity benefit – receiving at present  
Incapacity benefit – amount last received

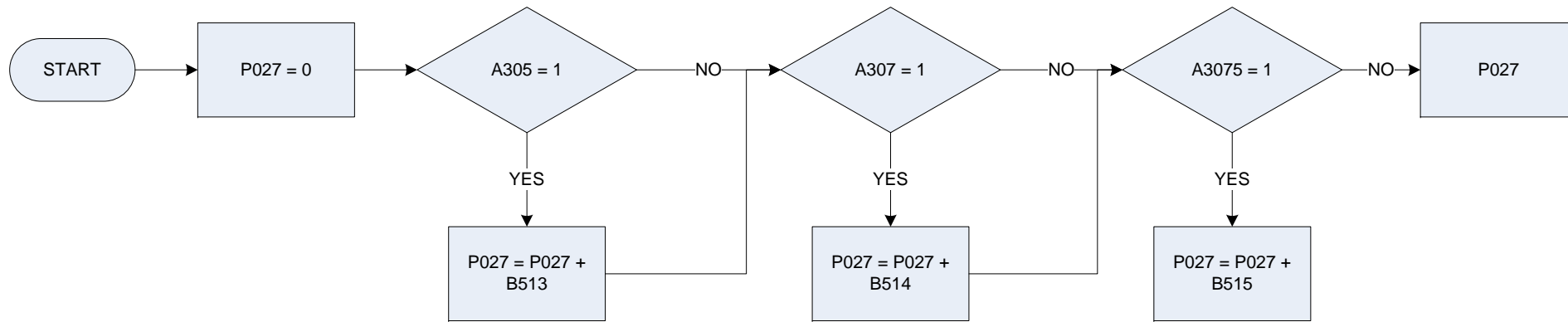
**P027 – Employment Support Allowance – amount received (for cases January - June 2013)**



**KEY**

- A305** ESA (Contribution based) receiving at present  
 0 Not applicable  
 1 Receiving at present
- A307** ESA (Income based) receiving at present  
 0 Not applicable  
 1 Receiving at present
- B513** ESA (Contribution based) last amount received
- B514** ESA (Income based) last amount received

**P027 – Employment Support Allowance – amount received (for cases from July 2013)**

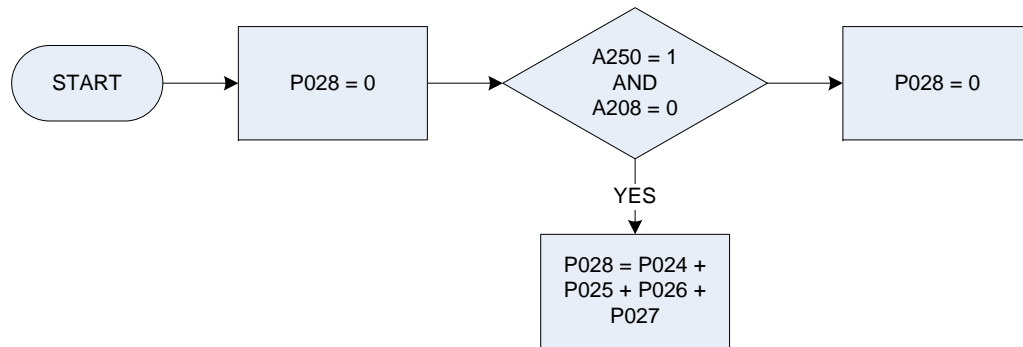


**KEY**

<b>A305</b>	ESA (Contribution based) receiving at present 0 Not applicable 1 Receiving at present
<b>A307</b>	ESA (Income based) receiving at present 0 Not applicable 1 Receiving at present
<b>A3075</b>	ESA (Combination of contribution and income based) receiving at present 0 Not applicable 1 Receiving at present
<b>B513</b>	ESA (Contribution based) last amount received
<b>B514</b>	ESA (Income based) last amount received
<b>B515</b>	ESA (Combination of contribution and income based) last amount received



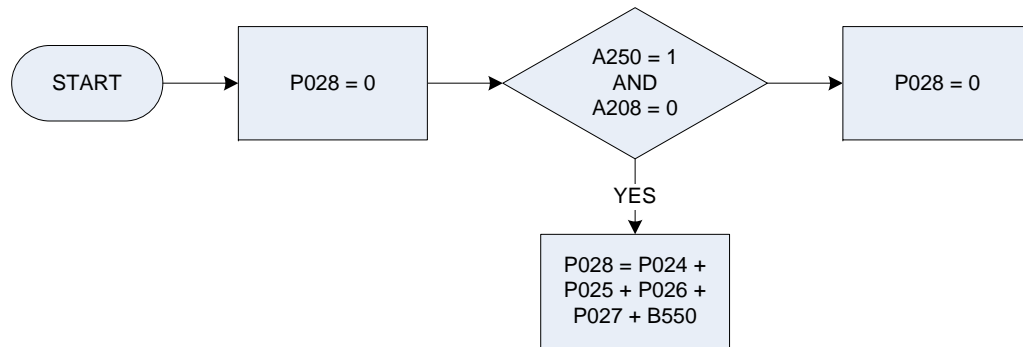
**P028 – Social security benefits concurrent with earnings (for cases January - June 2013)**



**KEY**

- A208**                    Number of weeks away from work
- A250**                    Main job – last wage was last week/month
- 0*                    Not recorded
- 1*                    Received
- P024**                    Job Seekers Allowance – current
- P025**                    Income support amount received
- P026**                    Incapacity benefit – amount received at present
- P027**                    Employment support allowance (ESA)

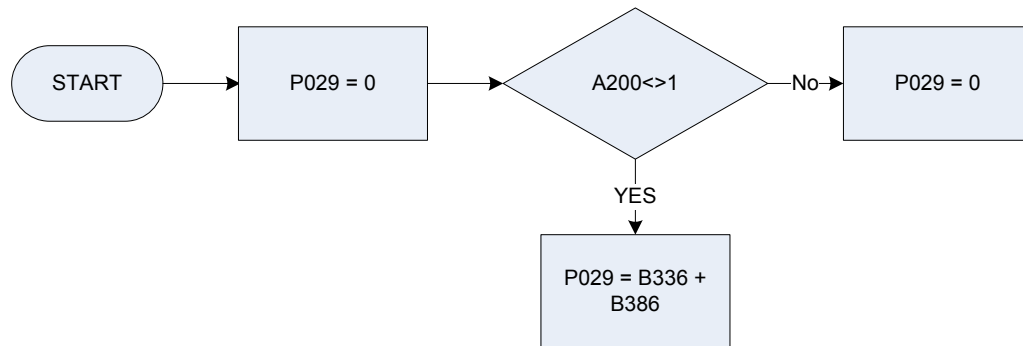
**P028 – Social security benefits concurrent with earnings (for cases from July 2013)**



**KEY**

<b>A208</b>	Number of weeks away from work
<b>A250</b>	Main job – last wage was last week/month
	<i>0</i> Not recorded
	<i>1</i> Received
<b>B550</b>	Universal credit – amount received
<b>P024</b>	Job Seekers Allowance – current
<b>P025</b>	Income support amount received
<b>P026</b>	Incapacity benefit – amount received at present
<b>P027</b>	Employment support allowance (ESA)

## P029 – NI contributions paid by non - employees

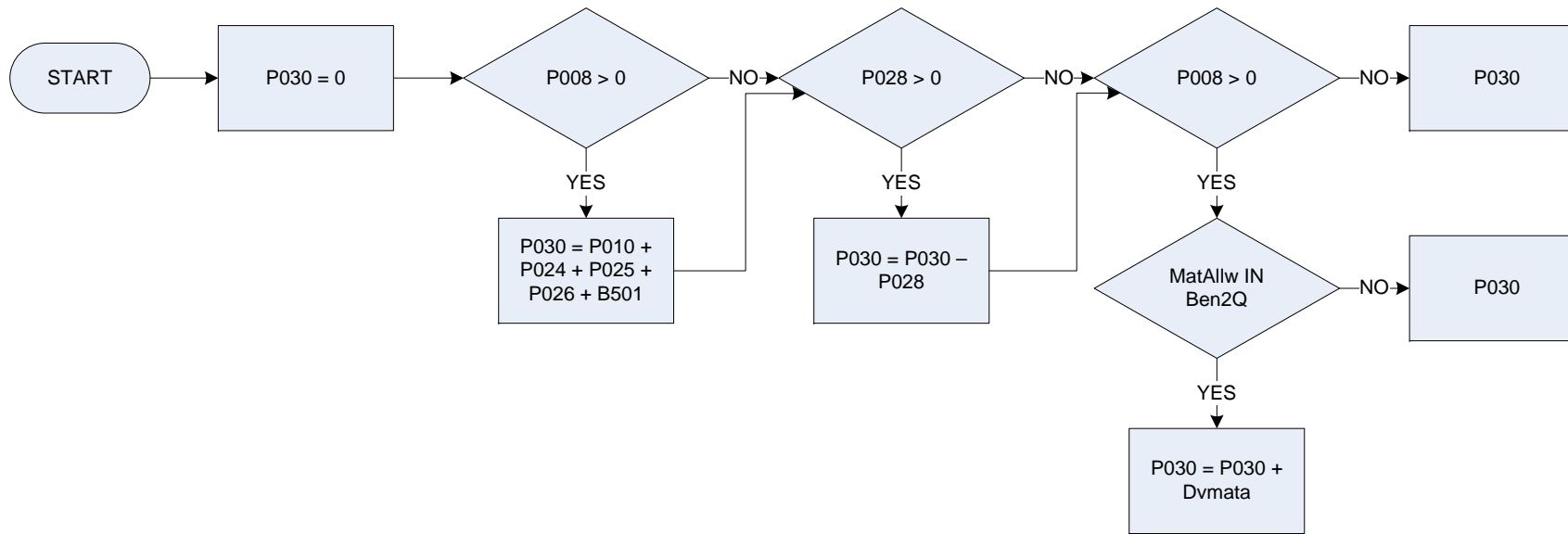


### KEY

<b>A200</b>	Employment status
<b>0</b>	<i>Not recorded</i>
<b>1</b>	<i>Employee</i>
<b>2</b>	<i>Self-employed or employer</i>
<b>3</b>	<i>Out of employment, seeking work within last 4 weeks &amp; available to start a job</i>
<b>4</b>	<i>Out of employment, waiting to start a job already obtained</i>
<b>5</b>	<i>Sick or injured</i>
<b>6</b>	<i>Retired including Job Release Scheme</i>
<b>7</b>	<i>Unoccupied</i>

<b>B336</b>	NI contributions - amount paid
<b>B386</b>	NI contributions direct - amount paid

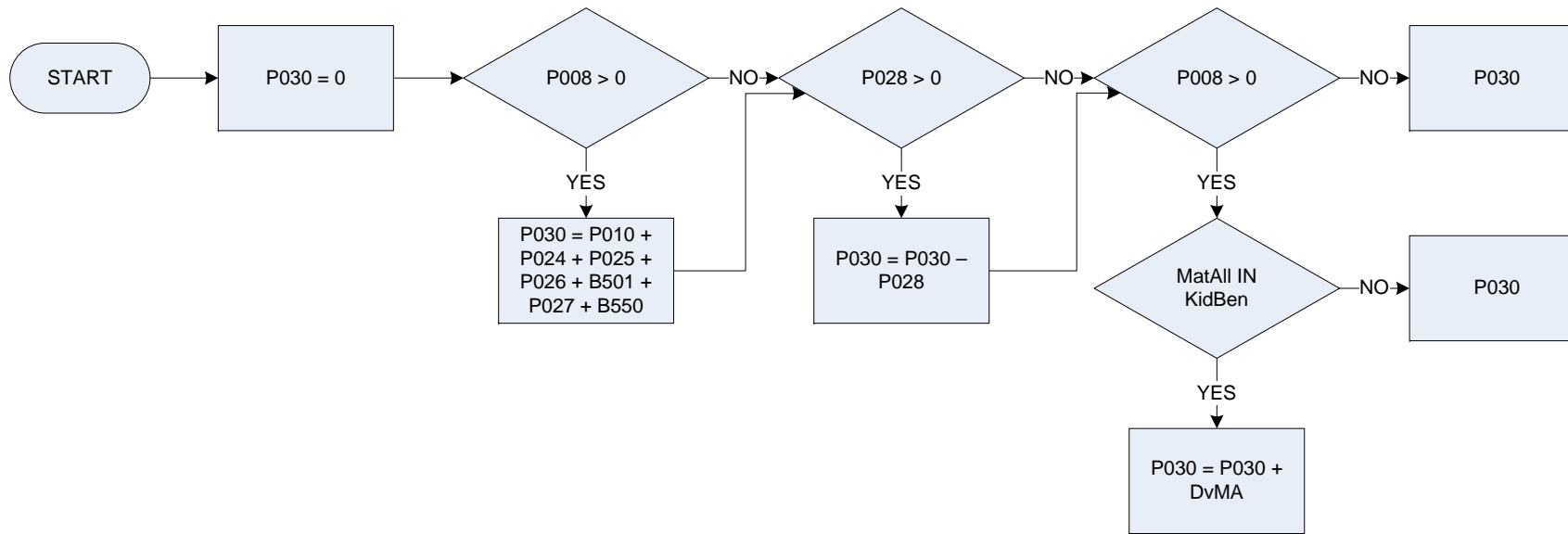
**P030 – Social security benefits exclud income by 13 week rule (for cases January - June 2013)**



**KEY**

- B501** Private benefits – amount received at present
- Ben2Q** Receiving Maternity allowance
- Dvmata** Derived Variable FOR MATERNITY ALLOWANCE (LOOP FOR UP TO 5 BENEFITS)
- P008** Normal gross wage, salary (13 week rule)
- P010** GTP allowance – current
- P024** Job Seekers Allowance – current
- P025** Income support amount received
- P026** Incapacity benefit – amount received at present
- P028** Social security benefits concurrent with earnings

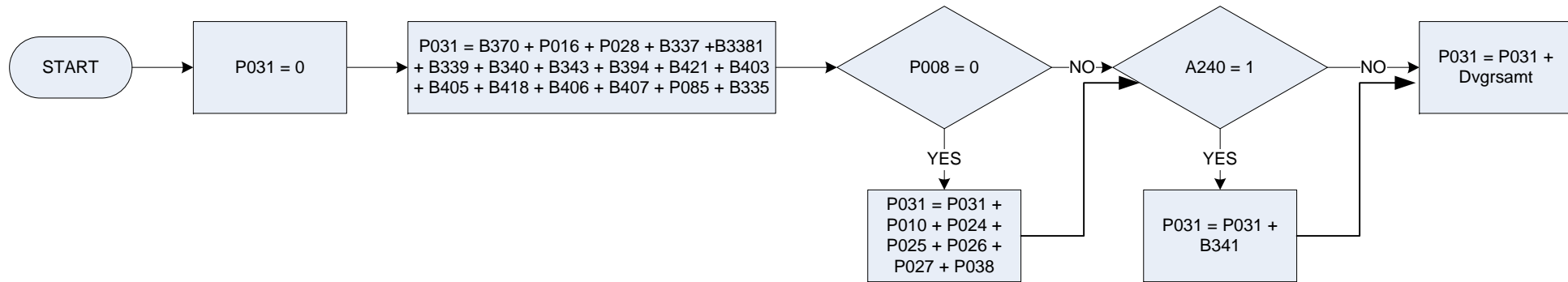
**P030 – Social security benefits exclud income by 13 week rule (for cases from July 2013)**



**KEY**

- B501** Private benefits – amount received at present
- B550** Universal Credit received – amount received
- DvMA** Derived Variable for Maternity allowance
- KidBen** *ChildBen* Child Benefit
- GuardAll* Guardian's Allowance
- MatAll* Maternity Allowance
- None* None of these
  
- P008** Normal gross wage, salary (13 week rule)
- P010** GTP allowance – current
- P024** Job Seekers Allowance – current
- P025** Income support amount received
- P026** Incapacity benefit – amount received at present
- P027** Employment Support Allowance – amount received at present
- P028** Social security benefits concurrent with earnings

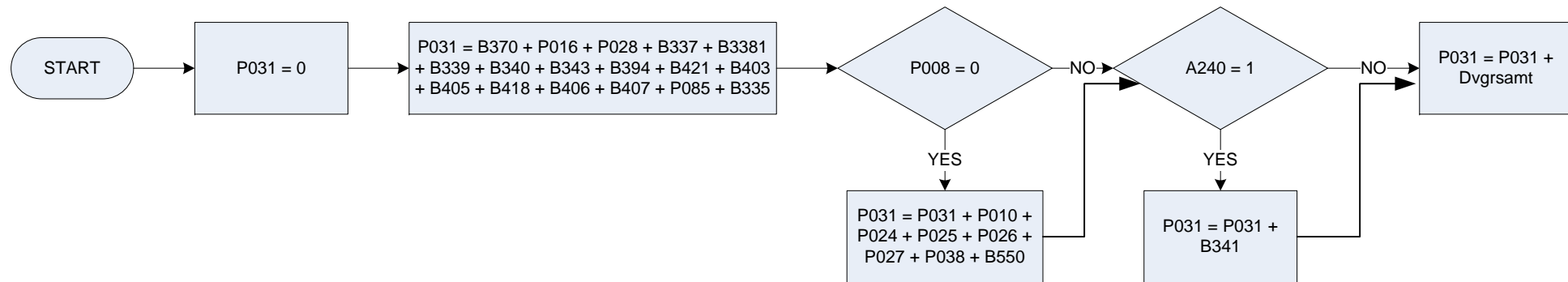
## P031 – Social security benefits included in income calcs (for cases January - June 2013)



### KEY

<b>A240</b>	Maternity allowance – receiving at present 0 Not applicable 1 Receiving at present
<b>B341</b>	Maternity allowance - amount received
<b>B370</b>	Tax credits received as benefits
<b>B337</b>	Child benefit last amount received
<b>B3381</b>	Retirement pension –usual amt received
<b>B339</b>	NI widows benefit - amount of last payment
<b>B340</b>	War disability   widows pension - amount received
<b>B343</b>	Invalid care allowance - amount
<b>B394</b>	Xmas bonus - amount received
<b>B421</b>	Attendance allowance last amount received
<b>B403</b>	Disability living allowance (self care)
<b>B405</b>	Disability living allowance (mobility)
<b>B418</b>	Severe disablement benefit - last received - amount
<b>B406</b>	Maternity grant - amount received
<b>B335</b>	Guardians allowance - amount received
<b>P008</b>	Normal gross wage, salary (13 week rule)
<b>P031</b>	Social security benefits included in income calcs
<b>P010</b>	GTP allowance - current
<b>P024</b>	Job Seekers Allowance - current
<b>P025</b>	Current income support
<b>P026</b>	Incapacity benefit - amount received at present
<b>P038</b>	Pension Credit amount received
<b>P016</b>	Indst injury disablement benefit - current
<b>P028</b>	Social security benefits concurrent with earnings
<b>P085</b>	Any other benefit - amount currently received
<b>DVGrsAmt</b>	Derived from GrosAmt- Gross Pay from: Wages or salary; Self employed; Investments, Pensions and annuities, Social Security benefits (for those who refused to answer main income questions).

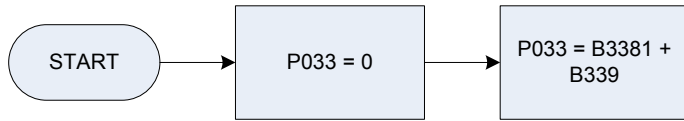
## P031 – Social security benefits included in income calcs (for cases from July 2013)



### KEY

<b>A240</b>	Maternity allowance – receiving at present 0 Not applicable 1 Receiving at present
<b>B335</b>	Guardians allowance - amount received
<b>B337</b>	Child benefit last amount received
<b>B339</b>	NI widows benefit - amount of last payment
<b>B340</b>	War disability   widows pension - amount received
<b>B341</b>	Maternity allowance - amount received
<b>B343</b>	Invalid care allowance – amount
<b>B370</b>	Tax credits received as benefits
<b>B394</b>	Xmas bonus - amount received
<b>B403</b>	Disability living allowance (self care)
<b>B405</b>	Disability living allowance (mobility)
<b>B406</b>	Maternity grant - amount received
<b>B418</b>	Severe disablement benefit - last received – amount
<b>B421</b>	Attendance allowance last amount received
<b>B550</b>	Universal credit – amount received
<b>B3381</b>	Retirement pension –usual amt received
<b>DVGrsAmt</b>	Derived from GrosAmt- Gross Pay from: Wages or salary; Self employed; Investments, Pensions and annuities, Social Security benefits (for those who refused to answer main income questions).
<b>P008</b>	Normal gross wage, salary (13 week rule)
<b>P010</b>	GTP allowance – current
<b>P016</b>	Indst injury disablement benefit - current
<b>P024</b>	Job Seekers Allowance - current
<b>P025</b>	Current income support
<b>P026</b>	Incapacity benefit - amount received at present
<b>P028</b>	Social security benefits concurrent with earnings
<b>P031</b>	Social security benefits included in income calcs
<b>P038</b>	Pension Credit amount received
<b>P085</b>	Any other benefit - amount currently received

## P033 – Social security retirement, old age, widows pensions



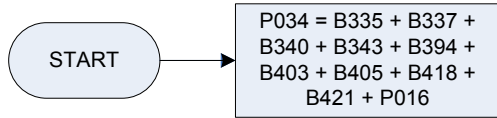
### KEY

**B339**  
**B3381**

NI widows benefit – amount of last payment  
NI retirement pension – last amount received



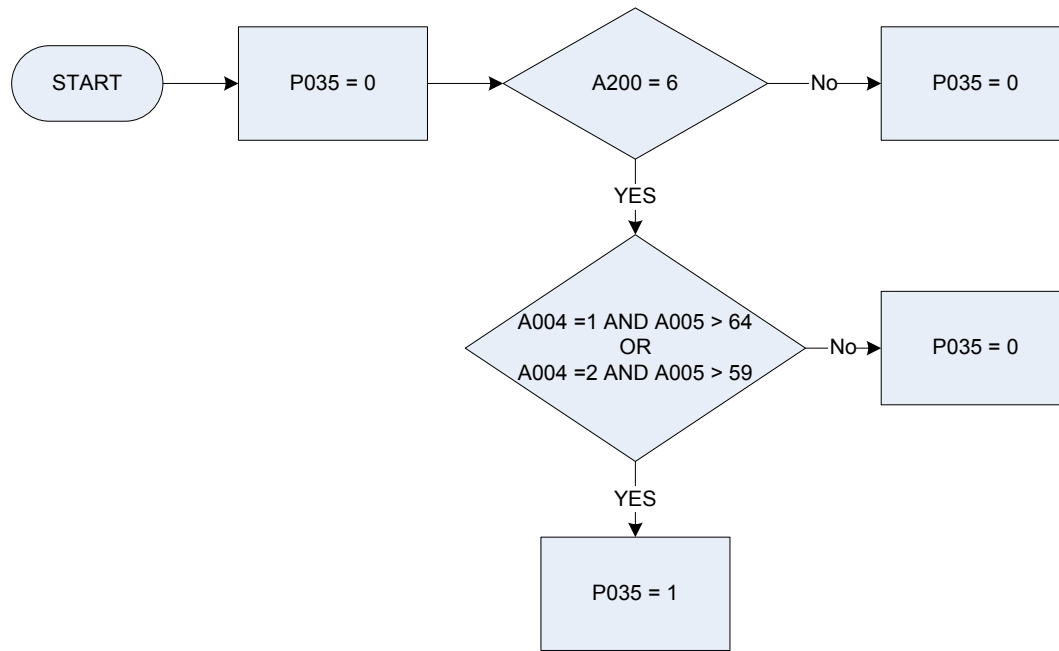
## P034 – Other pensions benefits and allowance



### KEY

<b>B335</b>	Guardian allowance – amount received
<b>B337</b>	Child benefit last amount received
<b>B340</b>	War disability   widows pension – amount received
<b>B343</b>	Invalid care allowance - amount
<b>B394</b>	Xmas bonus – amount received
<b>B403</b>	Disability living allowance (self-care)
<b>B405</b>	Disability living allowance
<b>B418</b>	Severe disablement benefit – last received - amount
<b>B421</b>	Attendance allowance last amount received
<b>P016</b>	Indst injury disablement benefit - current

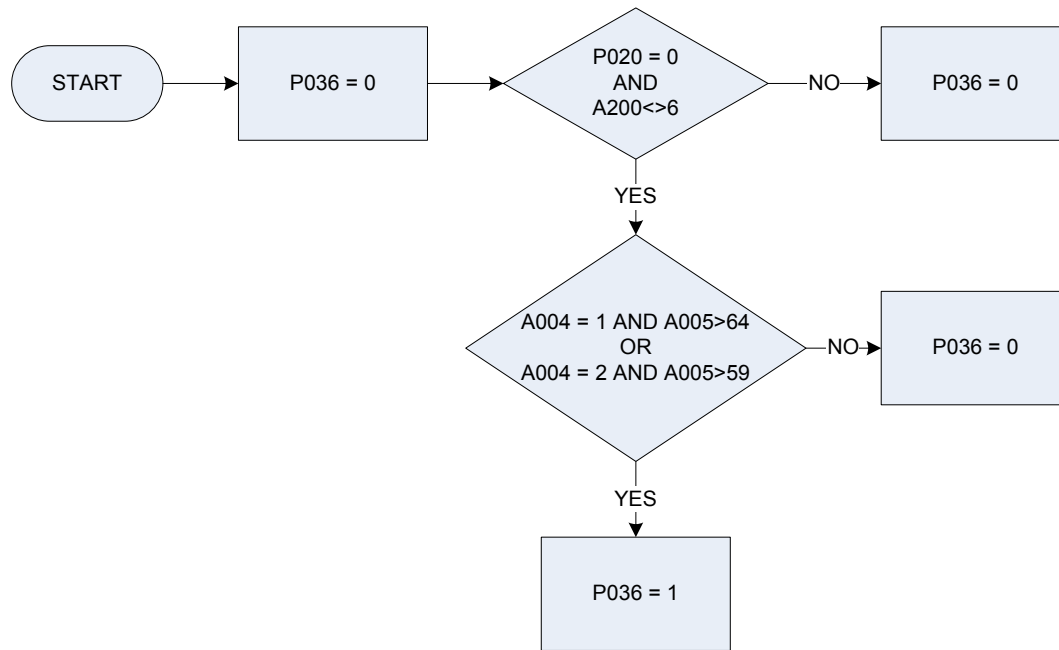
## P035 – Retired and of minimum NI pension age



### KEY

<b>A004</b>	Sex
1	Male
2	Female
<b>A005</b>	Age
<b>A200</b>	Retired including Job Release Scheme
<b>P035</b>	Retired and of minimum NI pension age
0	Not recorded
1	Retd & min pens age

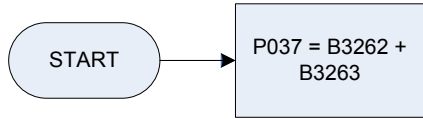
## P036 - Unoccupied and of minimum NI pension age



### KEY

<b>A004</b>	Sex	
	1	Male
	2	Female
<b>A005</b>	Age	
<b>A200</b>	Employment status	
	0	Not recorded
	1	Employee
	2	Self-employed or employer
	3	Out of employment, seeking work within last 4 weeks & available to start a job
	4	Out of employment, waiting to start a job already obtained
	5	Sick or injured
	6	Retired including Job Release Scheme
	7	Unoccupied
<b>P020</b>	Person working	
<b>P036</b>	Unoccupied and of minimum NI pension age	
	0	Not recorded
	1	Unoc & min pens age

## P037 – Income from subsidiary self-employment

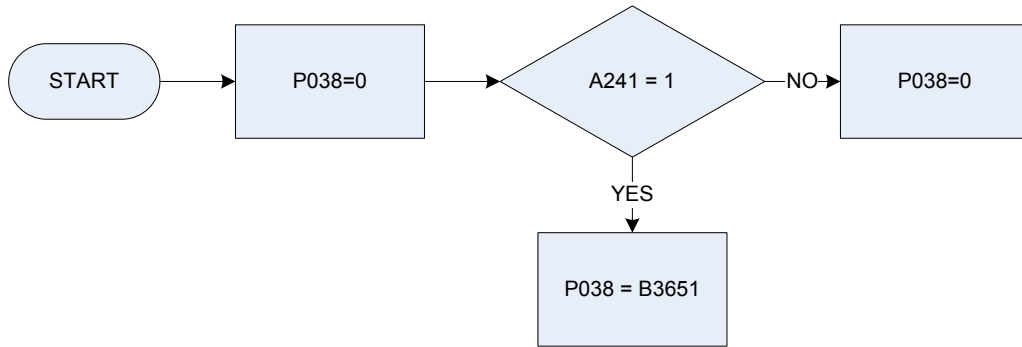


### KEY

**B3262**  
**B3263**

First subsidiary job: SE amount of gross profit  
Second subsidiary job: SE amount of gross profit

**P038 – Pension credit amt received - current**

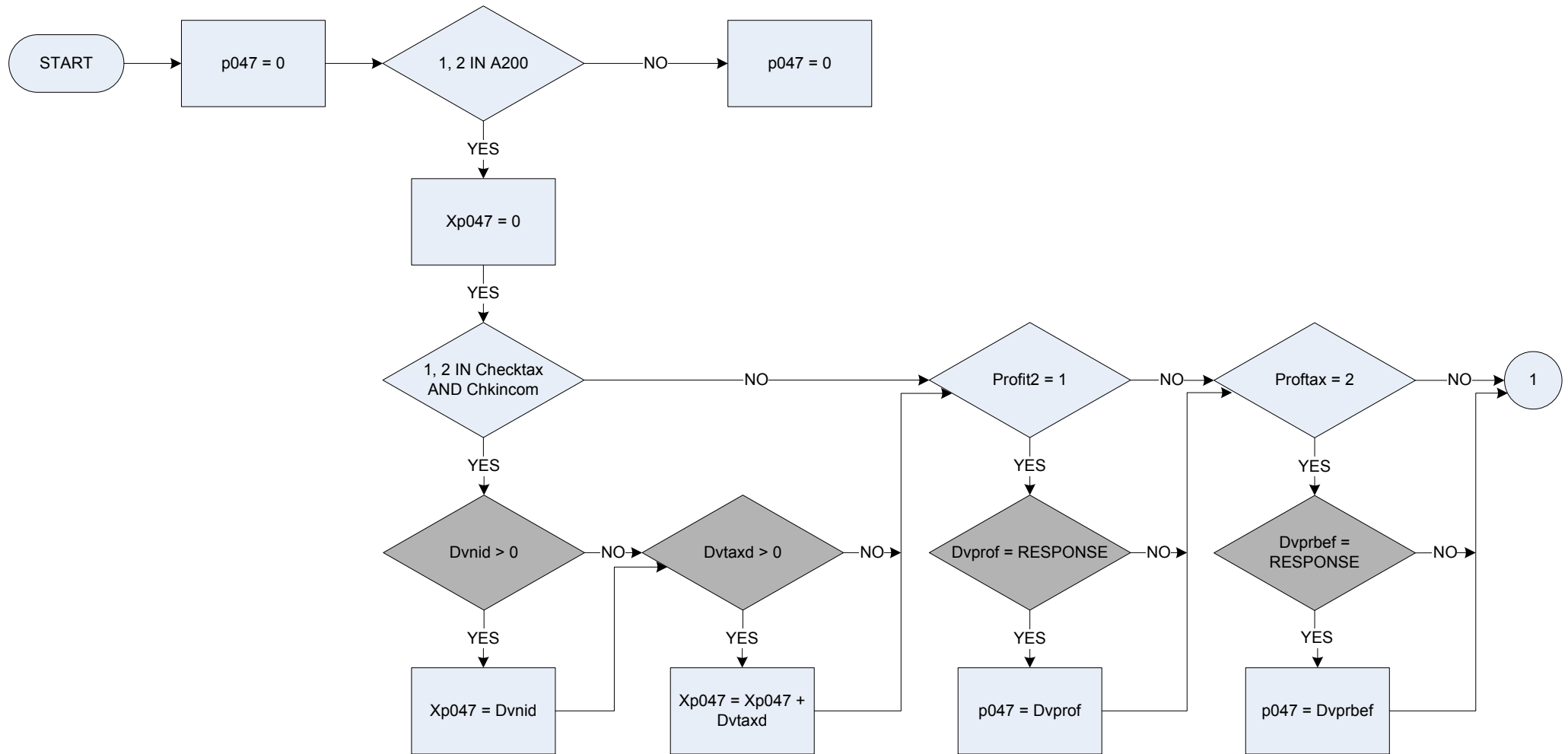


**KEY**

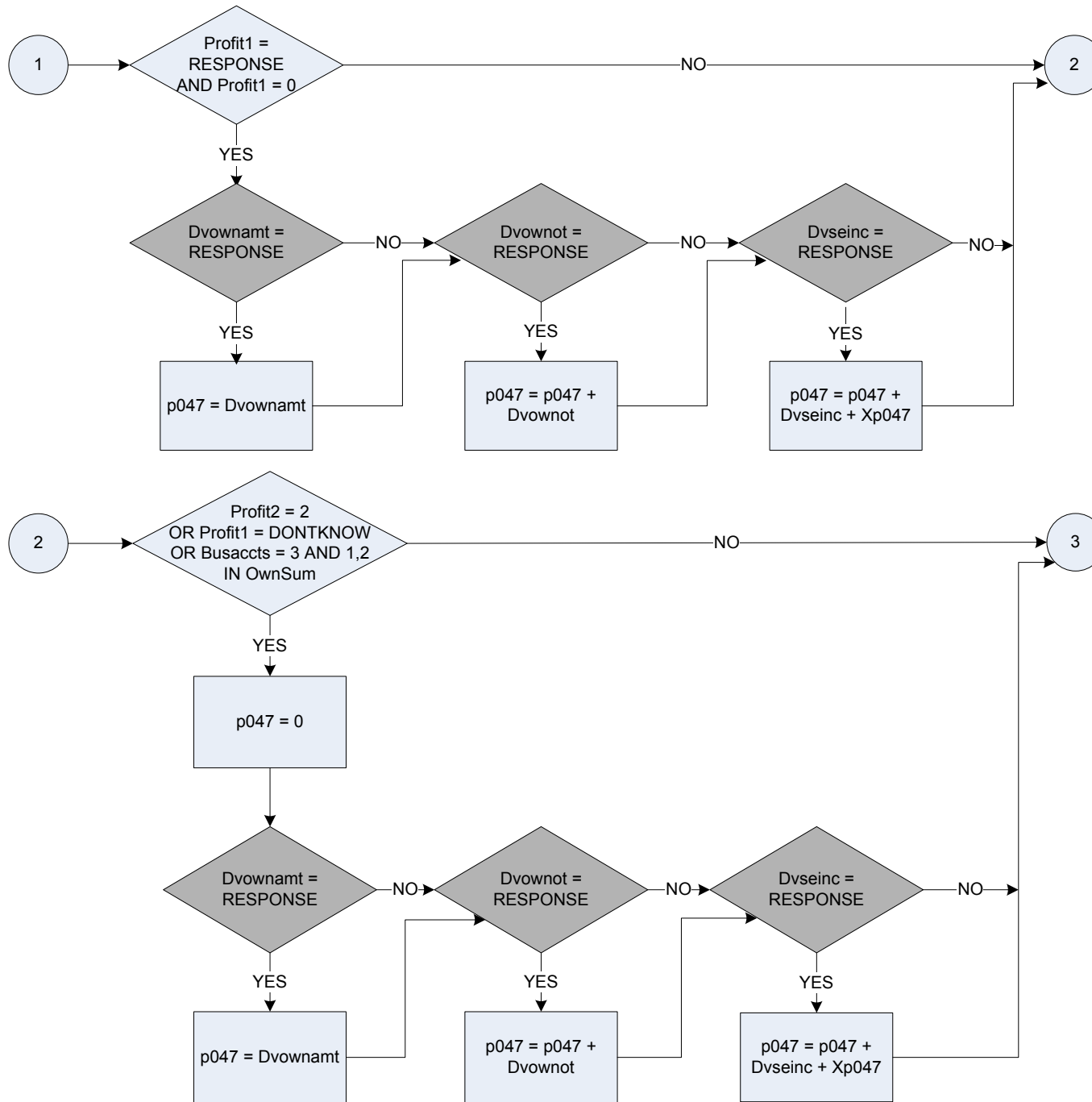
**A241** Pension credit – receiving at present  
**0** Not recorded,  
**1** Pension credit – currently received

**B3651** Pension credit amount received

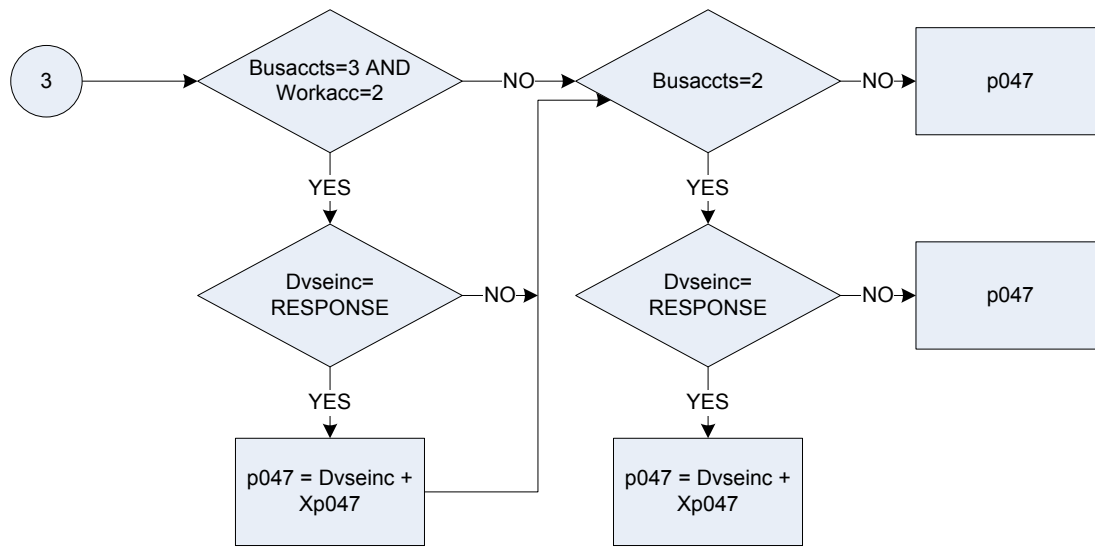
**P047 – Main or only occupation: Self employed - amount of gross income**



**P047 – Main or only occupation: Self employed - amount of gross income**



**P047 – Main or only occupation: Self employed - amount of gross income**



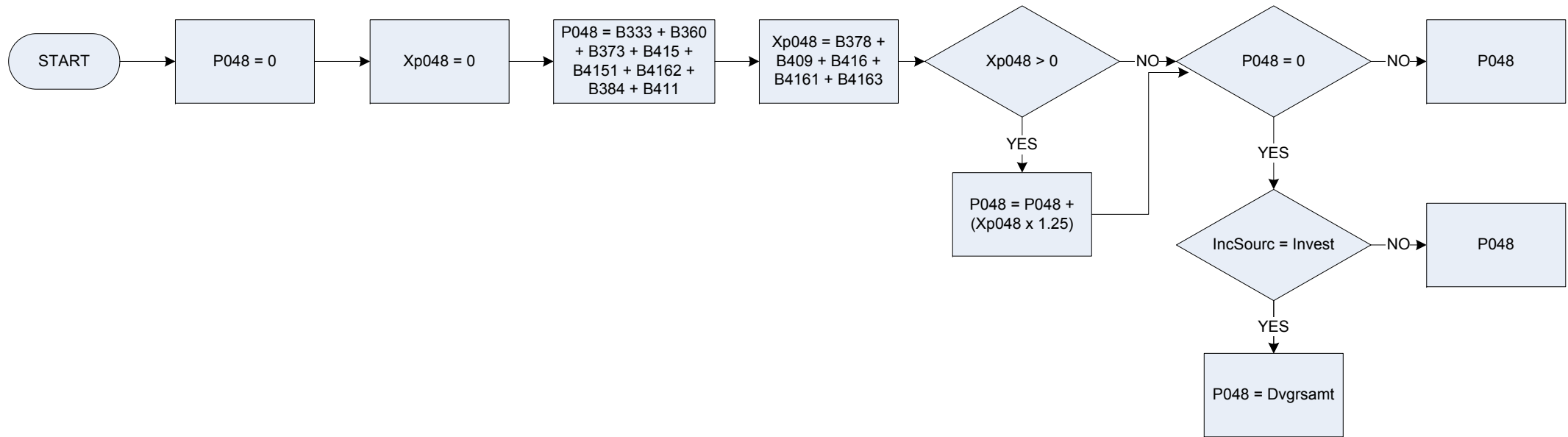


## P047 – Main or only occupation: Self employed - amount of gross income

### KEY

<b>A200</b>	Employment status <b>0</b> <i>Not recorded</i> <b>1</b> <i>Employee</i> <b>2</b> <i>Self-employed or employer</i> <b>3</b> <i>Out of employment seeking work within last 4 weeks &amp; available to start a job</i> <b>4</b> <i>Out of employment waiting to start a job already obtained</i> <b>5</b> <i>Sick or injured</i> <b>6</b> <i>Retired including Job Release Scheme</i> <b>7</b> <i>Unoccupied</i>
<b>Busacct</b>	In job/business were annual business accounts prepared for HMRC for tax purposes? <b>1</b> <i>Yes</i> <b>2</b> <i>No</i> <b>3</b> <i>Not yet, but will be</i>
<b>Checktax</b>	Was either income tax, or regular National Insurance contribution deducted at source? <b>1</b> <i>Income tax deducted</i> <b>2</b> <i>Regular NI deducted</i> <b>3</b> <i>No, neither deducted</i>
<b>Chkincom</b>	Self-Employment: Was respondent's average income of [amount] before or after tax or national insurance was deducted? <b>1</b> <i>Before</i> <b>2</b> <i>After</i>
<b>DvNID</b>	Derived from NIDAmt to give a weekly amount – (NIDAmt – Self-employment: How much National Insurance was deducted last time?)
<b>Dvownamt</b>	Derived from OwnAmt to give a weekly amount - (OwnAmt - Thinking of the last 12 months, on average how much did you take each month for these non-business purposes?)
<b>Dvownot</b>	Derived from OwnOtAmt to give a weekly amount– (OwnOtAmt - On average, how much is that each month?)
<b>Dvprbef</b>	Derived from PrBefore to give a weekly amount - (PrBefore - What was (the respondent's share of) the profit before tax?)
<b>DvProf</b>	Derived from Profit2 to give a weekly amount – (Profit2 - Profit/loss amount)
<b>Dvseinc</b>	Derived from Selnc to give a weekly amount - (Selnc - On average, what is the respondent's weekly or monthly income from this job/business over the last 12 months (after paying for any materials, equipment or goods that the respondent use(d) in their work?)
<b>Dvtaxd</b>	Derived from TaxDAmt to give a weekly amount - (TaxDAmt -How much Income tax was deducted last time?)
<b>Ownsum</b>	Is money drawn from work account for any non-business purposes? <b>1</b> <i>Yes</i> <b>2</b> <i>No</i>
<b>Profit1</b>	What was the profit/loss amount?
<b>Profit2</b>	Does Profit1 refer to profit or loss? <b>1</b> <i>Profit</i> <b>2</b> <i>Loss</i>
<b>Proftax</b>	Is the figure before deduction of income tax? <b>1</b> <i>Before tax</i> <b>2</b> <i>After tax</i>
<b>Workacc</b>	Is there a separate bank or building society accounts for work and private finances? <b>1</b> <i>Yes</i> <b>2</b> <i>No</i>
<b>Xp047</b>	Temporary variable used in calculations – Main or only occupation: Self employed – amount of gross income. This temporary variable is used to calculate and store the total amount of Income tax and National Insurance paid by the respondent; this is used later in the routing.

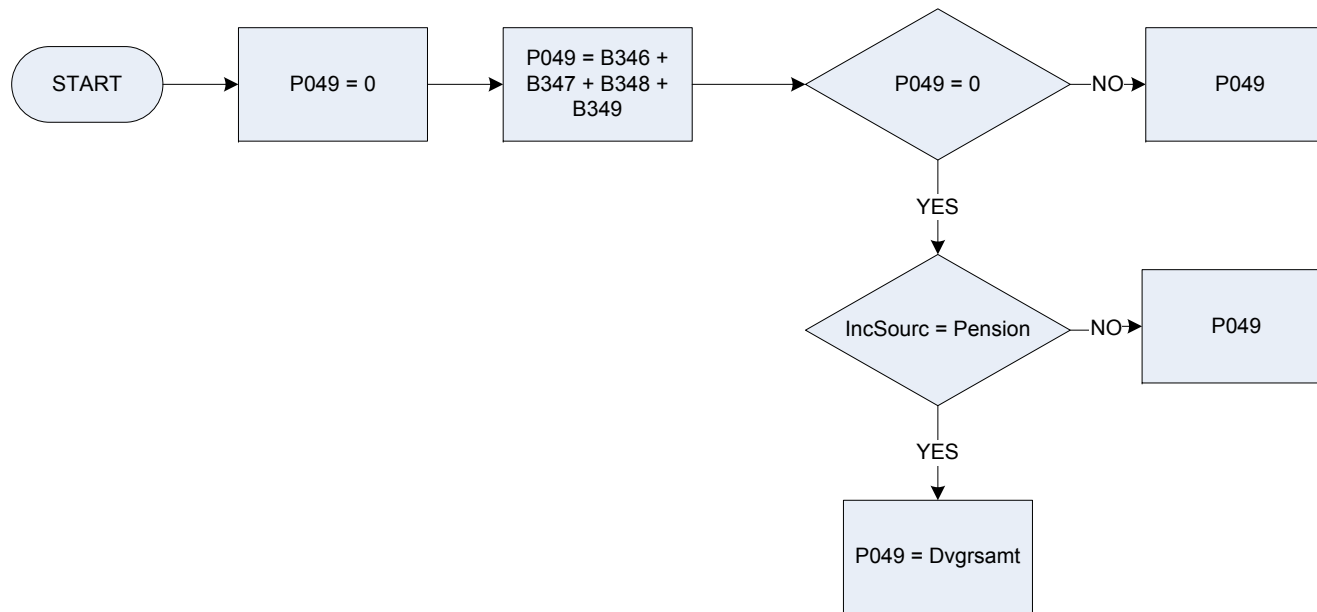
## P048 – Income from investments



### KEY

<b>B333</b>	National savings investment account - interest received
<b>B360</b>	Rent from property - amount received
<b>B373</b>	Nat savings ordinary account - interest received
<b>B378</b>	Stocks / shares etc - interest / dividends after tax
<b>B384</b>	Other unearned income - amount received
<b>B409</b>	Gilt-edged stock and war loan – interest
<b>B411</b>	ISA interest received
<b>B415</b>	Interest received – Other account before tax
<b>B416</b>	Interest received – Other savings account after tax
<b>B4151</b>	Interest received – Current account before tax
<b>B4161</b>	Interest received – Current account after tax
<b>B4162</b>	Interest received – Bank / Building Society before tax
<b>B4163</b>	Interest received – Bank / Building Society after tax
<b>Dvgrsamt</b>	Derived from GrosAmt to give a weekly average (GrosAmt- GROSS earnings before any deductions from either employment, self employment, investments, pensions/ annuities, benefits or other source(s))
<b>IncSourc</b>	Source of income
<b>Wages</b>	“Wages or salary”
<b>SelfEmp</b>	“Self employed”
<b>Invest</b>	“Investments”
<b>Pension</b>	“Pensions and annuities”
<b>SSBens</b>	“Social Security benefits”
<b>Other</b>	
<b>Xp048</b>	Temporary variable - Income from B378, B409, B416, B4161 and B4163.

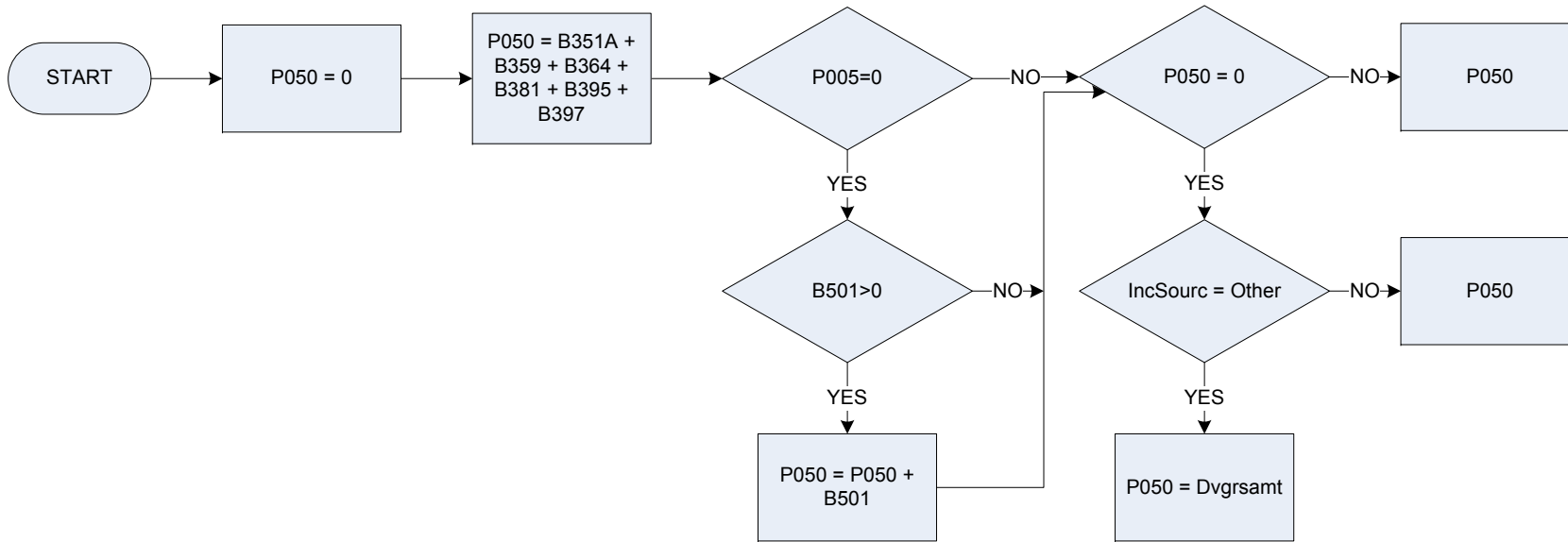
## P049 – Income from pensions, annuities



### KEY

- B346** Annuity / trust / covenant - last net payment
- B347** Annuity / trust / covenant - amount tax deducted
- B348** Pension (public / private) last net payment
- B349** Pension (public / private) amount tax deducted
- Dvgrsamt** Derived from GrosAmt to give a weekly average (GrosAmt- GROSS earnings before any deductions from either employment, self employment, investments, pensions/ annuities, benefits or other source(s))
- IncSourc** Source of income
  - Wages** "Wages or salary"
  - SelfEmp** "Self employed"
  - Invest** "Investments"
  - Pension** "Pensions and annuities"
  - SSBens** "Social Security benefits"
  - Other**

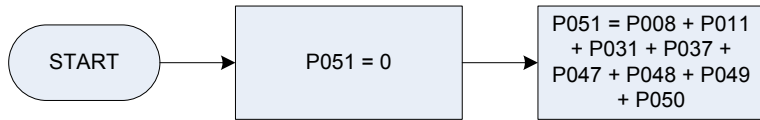
## P050 – Income from other sources



### KEY

<b>B351a</b>	Regular allowances from outside hhold received at present
<b>B359</b>	Education grant - amount received in cash
<b>B364</b>	Student top-up loan
<b>B381</b>	Income from odd jobs – amount
<b>B395</b>	Child's investment income - amount received
<b>B397</b>	Child's job/other income - amount received
<b>P005</b>	Gross wage, salary last time paid" (main -13 weeks)
<b>B501</b>	Private benefits - amount received at present
<b>Dvgrsamt</b>	Derived from GrosAmt to give a weekly average (GrosAmt- GROSS earnings before any deductions from either employment, self employment, investments, pensions/ annuities, benefits or other source(s))
<b>IncSourc</b>	Source of income
<b>Wages</b>	"Wages or salary"
<b>SelfEmp</b>	"Self employed"
<b>Invest</b>	"Investments"
<b>Pension</b>	"Pensions and annuities"
<b>SSBens</b>	"Social Security benefits"
<b>Other</b>	

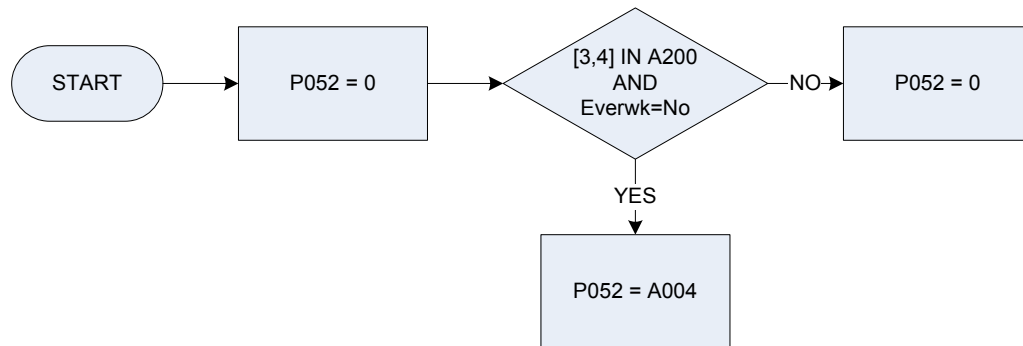
## P051 – Total personal gross income (normal)



### KEY

- P008** Normal gross wage, salary (13 week rule sub)
- P011** Gross wage – last time paid – (13 week rule)
- P031** Social security benefits included in income calcs
- P037** Income from subsidiary self-employment
- P047** Income from self-employment (main)
- P048** Income from investments
- P049** Income from pensions, annuities
- P050** Income from other sources

## P052 – Person seeking work, not employed before



### KEY

#### **A004**

Sex

- 1 Male
- 2 Female

#### **A200**

Employment status

- 0 Not recorded
- 1 Employee
- 2 Self-employed or employer
- 3 Out of employment, seeking work within last 4 weeks & available to start a job
- 4 Out of employment, waiting to start a job already obtained
- 5 Sick or injured
- 6 Retired including Job Release Scheme
- 7 Unoccupied

#### **Everwk**

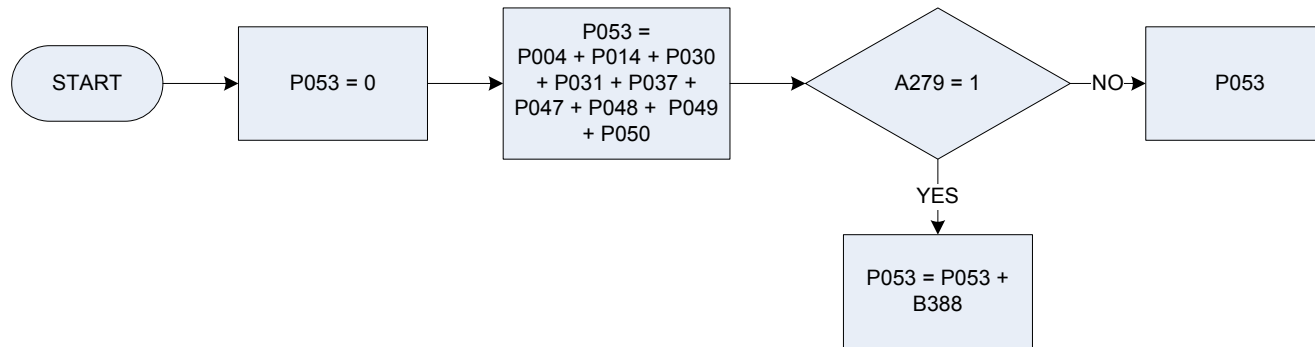
Work: Has the respondent ever had a paid job, apart from casual or holiday work?

#### **P052**

Person seeking work, not employed before

- 0 Not recorded
- 1 Male
- 2 Female

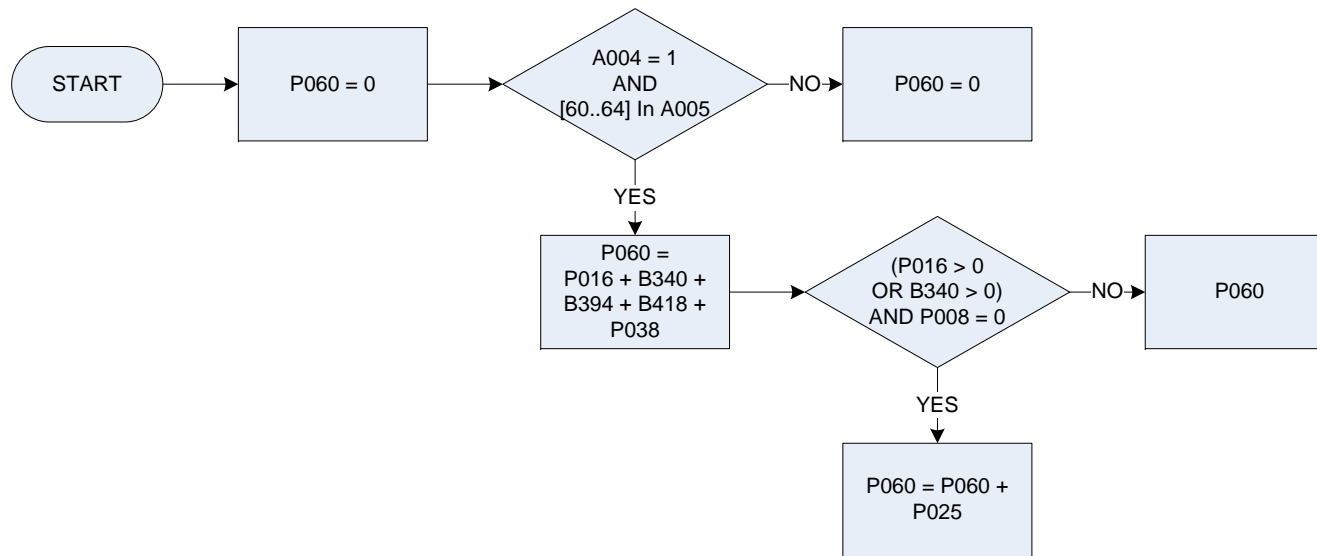
## P053 – Total personal gross income (current)



### KEY

<b>P004</b>	Gross wage, salary last week, month (main)
<b>P014</b>	Gross wage, salary last week, month (subsd)
<b>P030</b>	Social security benefits excld income by 13 week rule
<b>P031</b>	Social security benefits included in income calcs
<b>P037</b>	Income from subsidiary self-employment
<b>P047</b>	Income from self-employment (main)
<b>P048</b>	Income from investments
<b>P049</b>	Income from pensions, annuities
<b>P050</b>	Income from other sources
<b>A279</b>	Statutory sick pay - receiving at present
<b>B388</b>	Statutory sick pay - imputed gross amount

**P060 – Pensioner income – male, age 60 - 64 (for cases January - June 2013)**

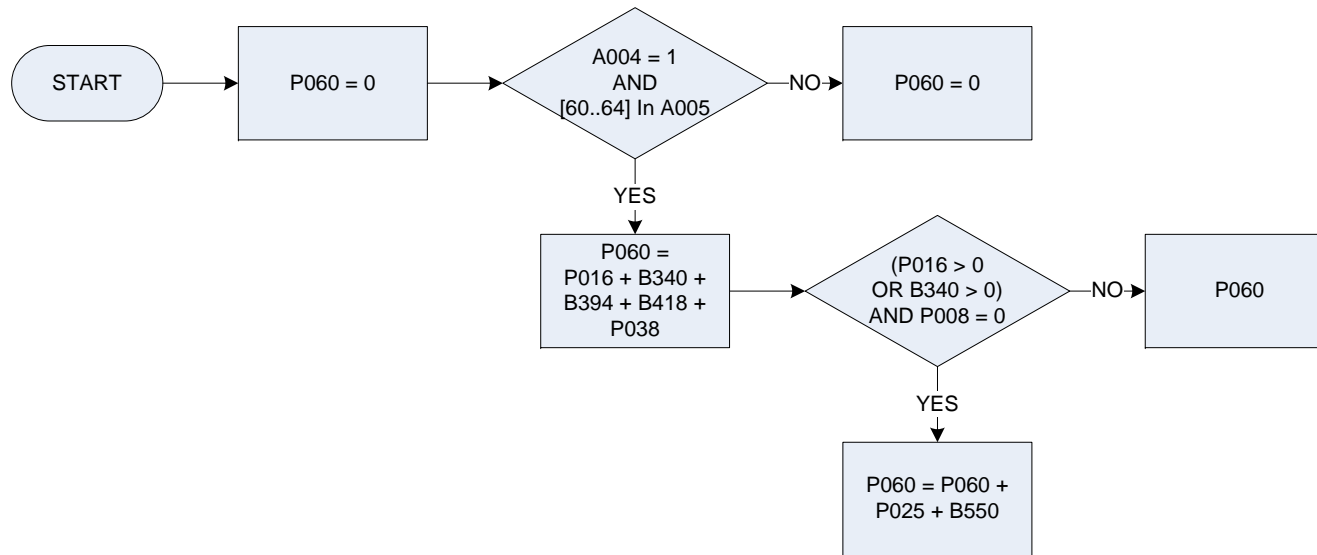


**KEY**

- A004** Sex  
 1 Male  
 2 Female
- A005** Age
- B340** War disability | widows pension - amount received
- B394** Xmas bonus - amount received
- B418** Severe disablement benefit - last received – amount
- P008** Normal gross wage, salary (13 week rule)
- P016** Industrial injury disablement benefit – current
- P025** Income support amount received
- P038** Pension credit amt received- current



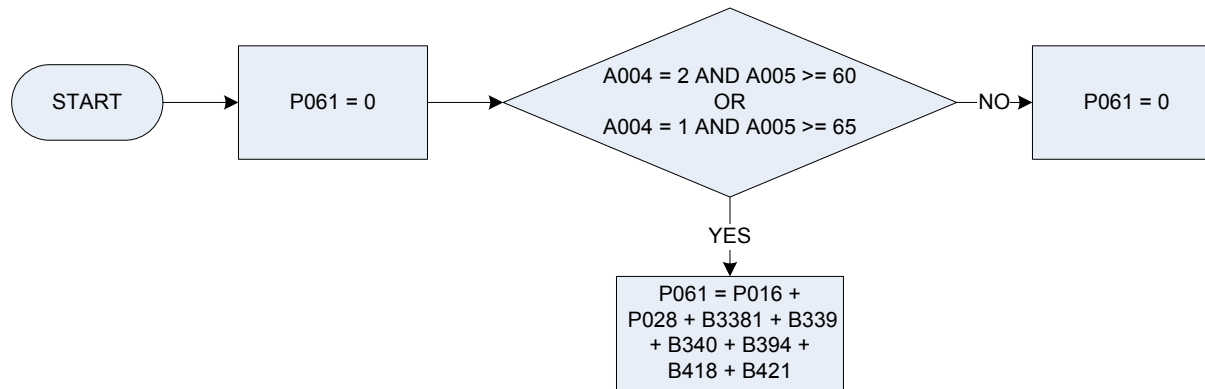
**P060 – Pensioner income – male, age 60 – 64 (for cases from July 2013)**



**KEY**

- A004** Sex
  - 1 Male
  - 2 Female
- A005** Age
- B340** War disability | widows pension - amount received
- B394** Xmas bonus - amount received
- B418** Severe disablement benefit - last received – amount
- B550** Universal Credit – amount received
- P008** Normal gross wage, salary (13 week rule)
- P016** Industrial injury disablement benefit – current
- P025** Income support amount received
- P038** Pension credit amt received- current

## P061 – Pensioner Income – disregarding 13 week rule

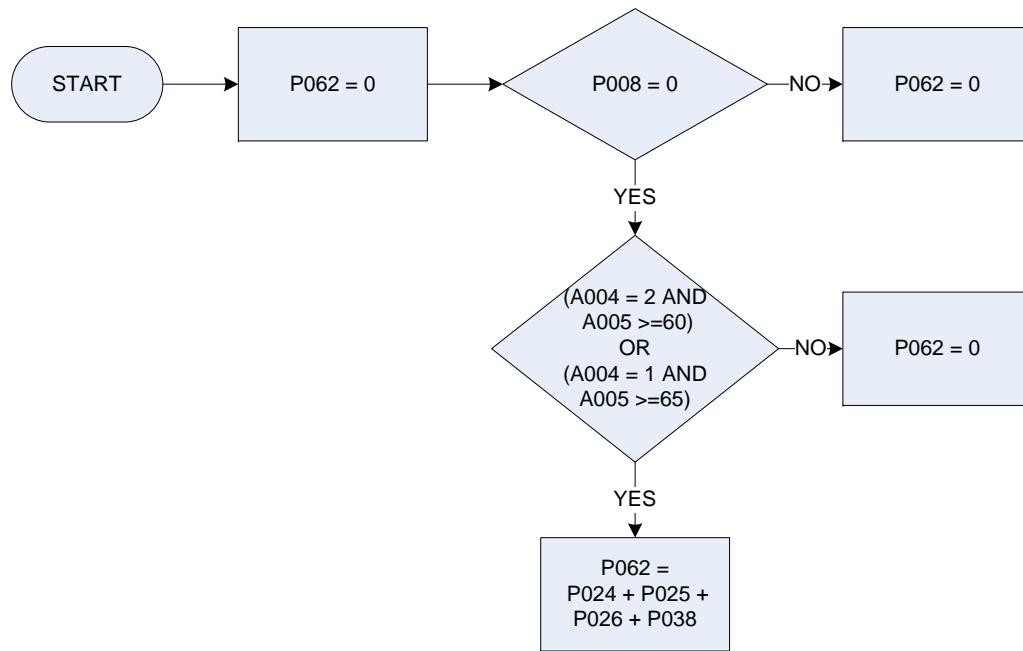


### KEY

**A004** Sex  
 1 Male  
 2 Female

**A005** Age  
**P016** Industrial injury disablement benefit – current  
**P028** Social security benefits concurrent with earnings  
**B339** NI widows benefit - amount of last payment  
**B340** War disability | widows pension - amount received  
**B394** Christmas bonus - amount received  
**B418** Severe disablement benefit - last received – amount  
**B421** Attendance allowance last amount received  
**B3881** Retirement Pension - Usual amount received

**P062 – Pensioner income - applying 13 week rule (for cases January - June 2013)**



**KEY**

**A004**

Sex  
 1 "Male"  
 2 "Female"

**A005**

Age

**P008**

Normal gross wage, salary (13 week rule)

**P024**

Job Seekers Allowance – current

**P025**

Income support amount received

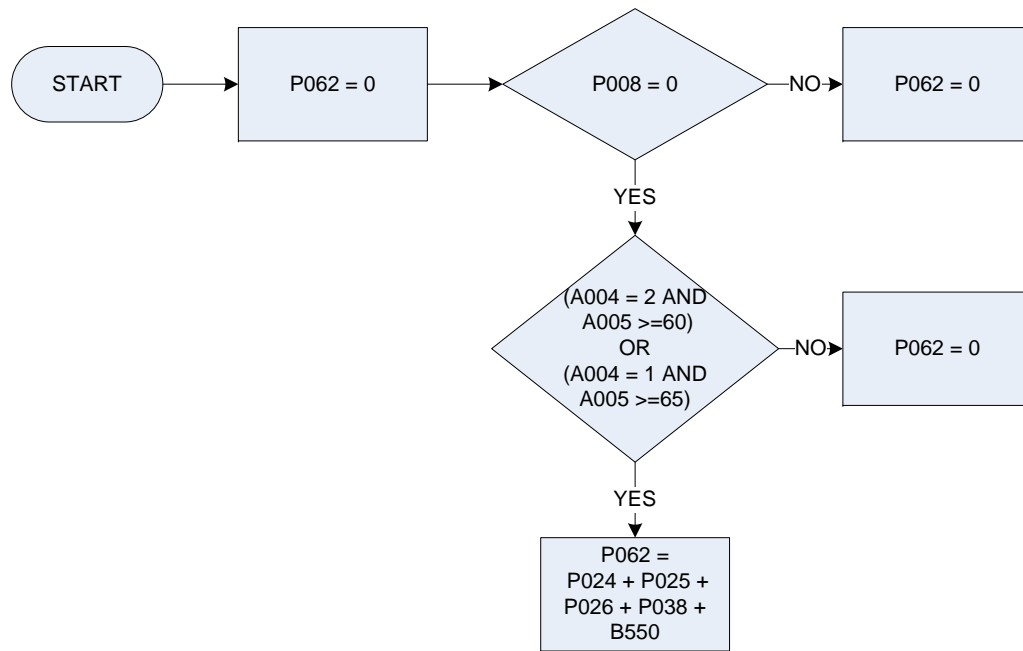
**P026**

Incapacity benefit - amount received at present

**P038**

Pension credit amt received- current

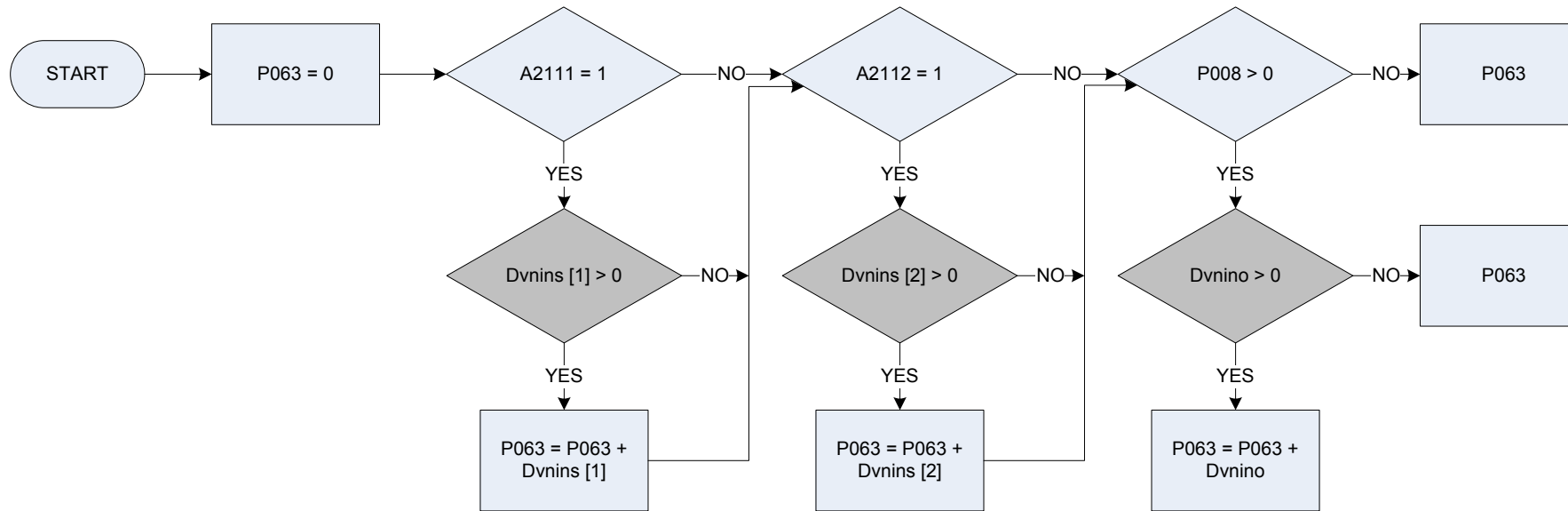
## P062 – Pensioner income - applying 13 week rule (for cases from July 2013)



### KEY

<b>A004</b>	Sex
1	Male
2	Female
<b>A005</b>	Age
<b>B550</b>	Universal Credit – amount received
<b>P008</b>	Normal gross wage, salary (13 week rule)
<b>P024</b>	Job Seekers Allowance – current
<b>P025</b>	Income support amount received
<b>P026</b>	Incapacity benefit - amount received at present
<b>P038</b>	Pension credit amt received- current

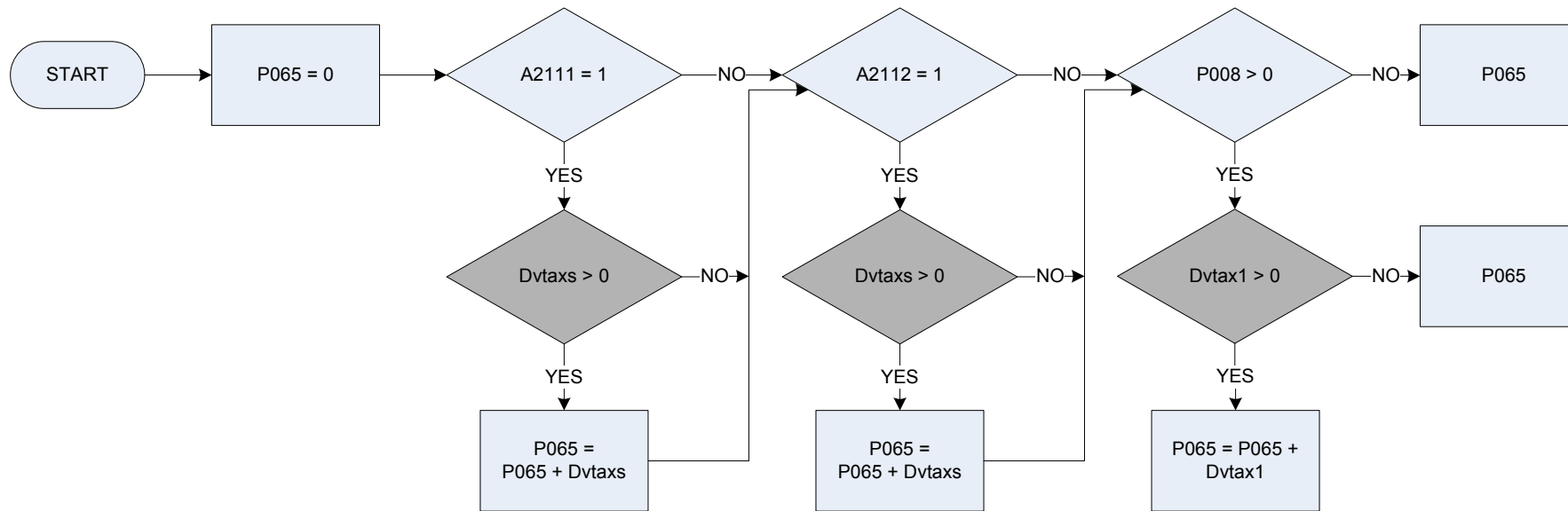
## P063 – NI employees contribution, 13 week rule



### KEY

- A2111** First subsidiary job - employment: paid in last 13 weeks
- A2112** Second subsidiary job - employment: paid in last 13 weeks
- Dvnino** Derived from PyNINO - Pay: How much was deducted as a National Insurance Contribution?
- Dvnins** Derived from SJbNINO - Subsidiary Job: How much was deducted as National Insurance Contribution?
- P008** Normal gross wage, salary (13 week rule)

## P065 – Take home pay - last time paid (main)



### KEY

**A2111**

First subsidiary job - employment: paid in last 13 wks

0 Not recorded

1 Yes

**A2112**

Second subsidiary job - employment: paid in last 13 wks

0 Not recorded

1 Yes

**Dvtax1**

Derived from PyTax - How much was deducted from the respondents wage/salary for income tax under PAYE

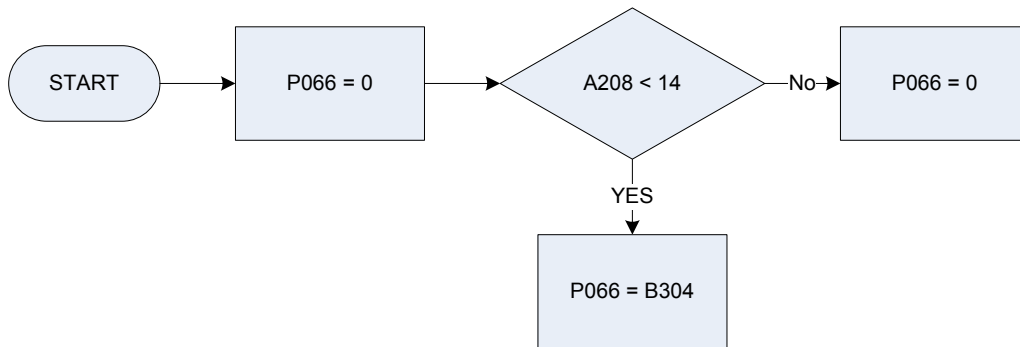
**Dvtaxs**

Derived from SJobTax - Subsidiary Job: How much was deducted from your wage/salary for income tax under PAYE?

**P008**

Normal gross wage, salary (13 week rule)

## P066 - Paye tax refund, 13 week rule

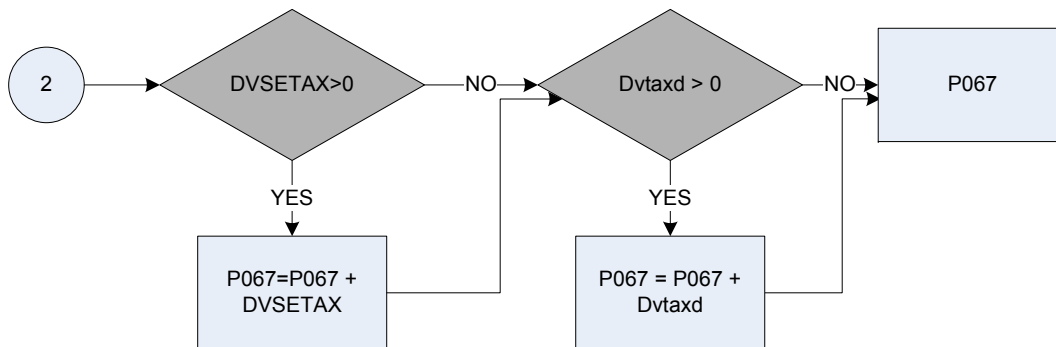
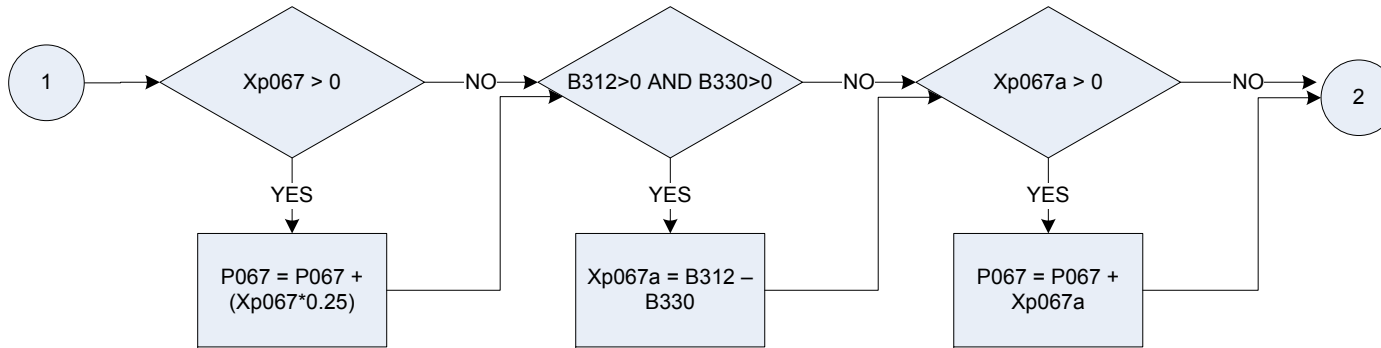
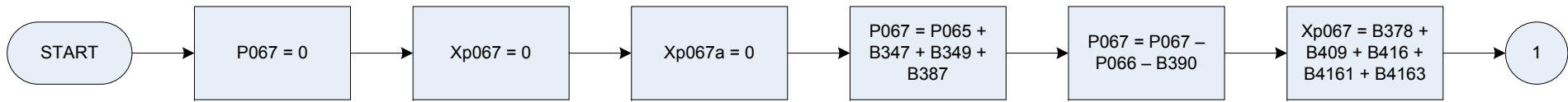


### KEY

A208  
B304

Number of weeks away from work  
Income tax refund in last pay - amount

## P067 – Income tax, payments less refunds (13 week rule)



### KEY

<b>B312</b>	Bonus earnings - gross amount
<b>B330</b>	Bonus earnings - net amount
<b>B347</b>	Annuity / trust / covenant - amount tax deducted
<b>B349</b>	Pension (public / private) amount tax deducted
<b>B378</b>	Stocks / shares etc - interest / dividends after tax
<b>B387</b>	Income tax paid direct – amount
<b>B390</b>	Income tax refund received – amount
<b>B409</b>	Gilt-edged stock and war loan – interest
<b>B416</b>	Interest received – Other savings account after tax
<b>B4161</b>	Interest received – Current account after tax
<b>B4163</b>	Interest received – Bank / Building Society after tax
<b>Dvsetax</b>	Derived from SeTaxAmt to give a weekly amount - (SeTaxAmt – Self Employment: How much did you pay altogether in the last 12 months?)
<b>Dvtaxd</b>	Derived from TaxDAmt to give a weekly amount – (TaxDAmt – Self Employment: How much income tax was deducted last time?)
<b>P065</b>	PAYE tax deduction (13 week rule)
<b>P066</b>	PAYE tax refund (13 week rule)
<b>Xp067</b>	Temporary variable used in calculations – calculates interest received after tax on stock/shares, gilt-edged stock and war loans and from bank/building societies
<b>Xp067a</b>	Temporary variable used in calculations – calculates tax paid on bonus earnings



## P068 – Tax deducted from pensions, investments, annuities

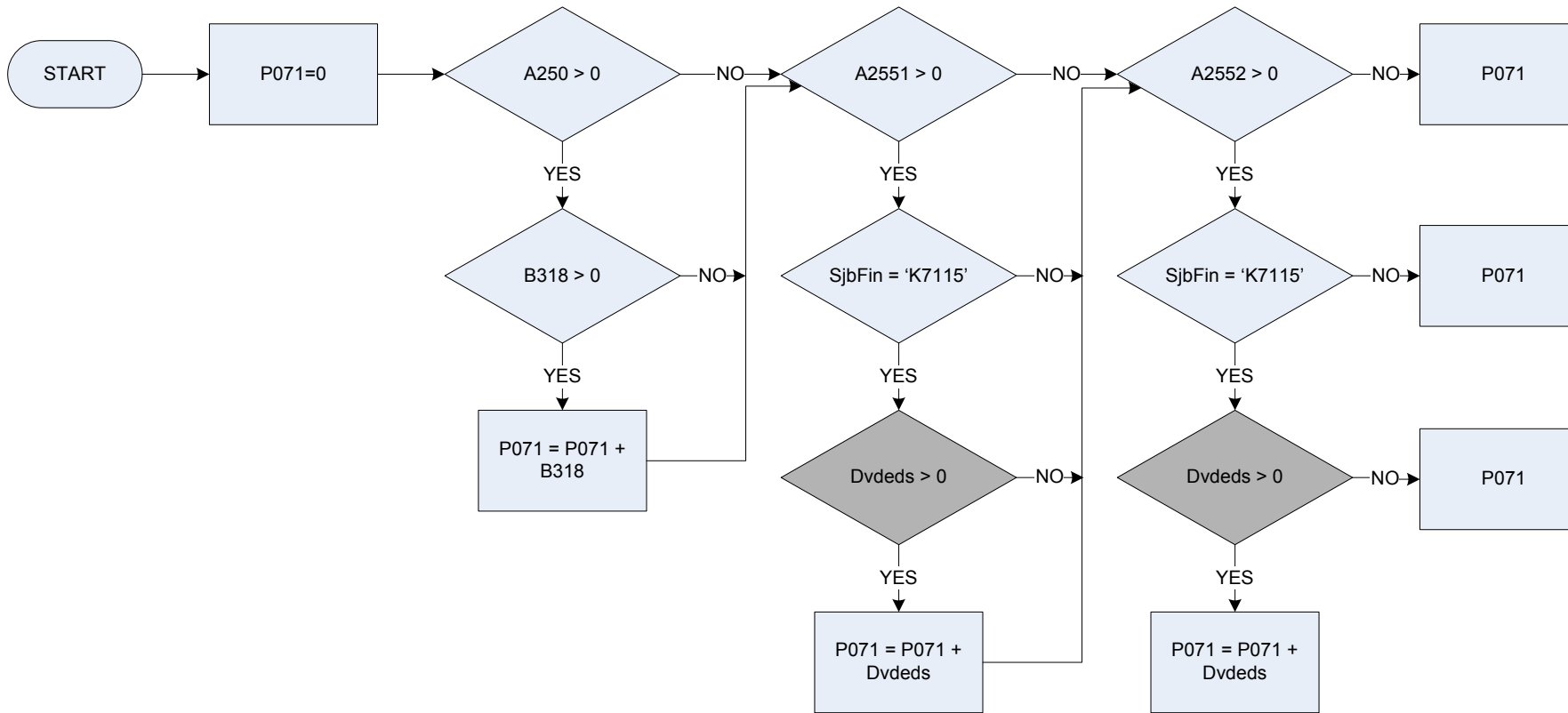
START

$$P068 = B347 + B349 + ((B378 + B416 + B4161 + B4163 + B409) * 0.25)$$

### KEY

<b>B347</b>	Annuity/trust/covenant – amount tax deducted
<b>B349</b>	Pension (public/private) amount tax deducted
<b>B378</b>	Stocks/shares etc – interest/dividends after tax
<b>B409</b>	Gilt-edged stock and war loan - interest
<b>B416</b>	Interest received – Other savings account after tax
<b>B4161</b>	Interest received – Current account after tax
<b>B4163</b>	Interest received – Bank / Building Society after tax

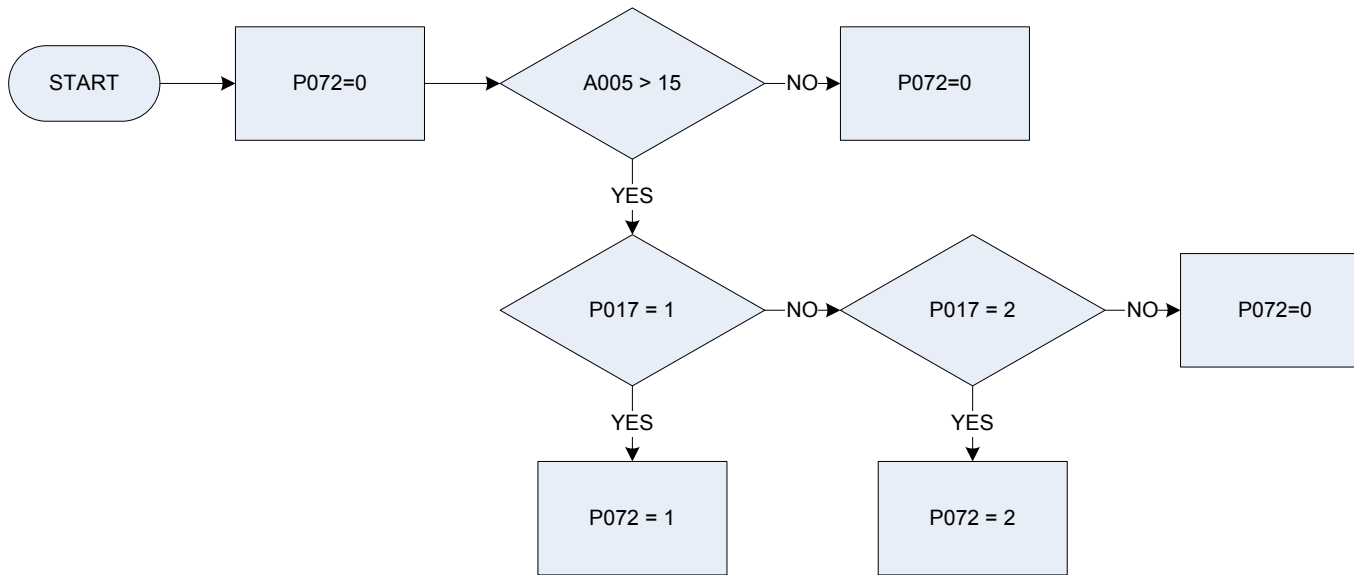
## P071 – Pension & superannuation contributions - current



### KEY

<b>A250</b>	Main job – last pay was received in specified time period 0 Not recorded 1 Received
<b>A2551</b>	First subsidiary job - employee: last pay was received in specified time period 0 Not recorded 1 Received
<b>A2552</b>	Second subsidiary job - employee: last pay was received in specified time period 0 Not recorded 1 Received
<b>B318</b>	Deductions from pay for superannuation – amount
<b>Dvdeds</b>	Derived from SjbDAmt to give a weekly amount – (SjbDAmt – Subsidiary Job: How much was deducted for this deduction?)
<b>SjbFin</b>	Subsidiary Job: Expenditure code

**P072 – Single person aged 16 or 17**

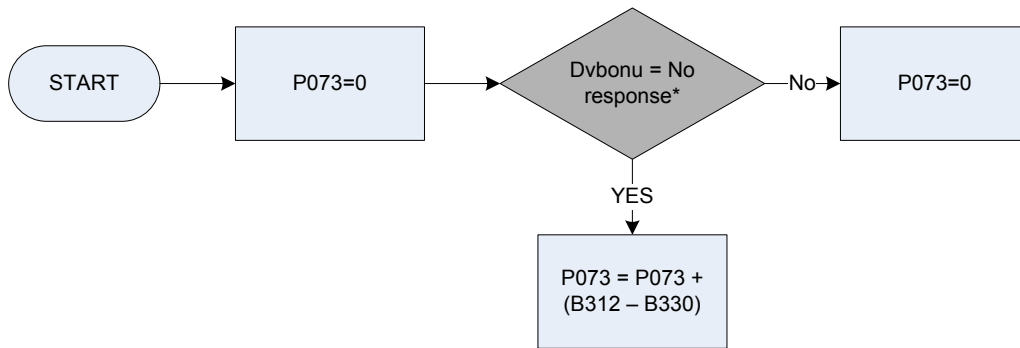


**KEY**

**A005** Age  
**P017** Child aged under 18  
 0 Not recorded  
 1 Male child under 18  
 2 Female child under 18

**P072** Single person aged 16 or 17  
 0 Not recorded  
 1 Male;single: 16-17  
 2 Female;single: 16-17

## P073 – Tax paid on bonuses



### KEY

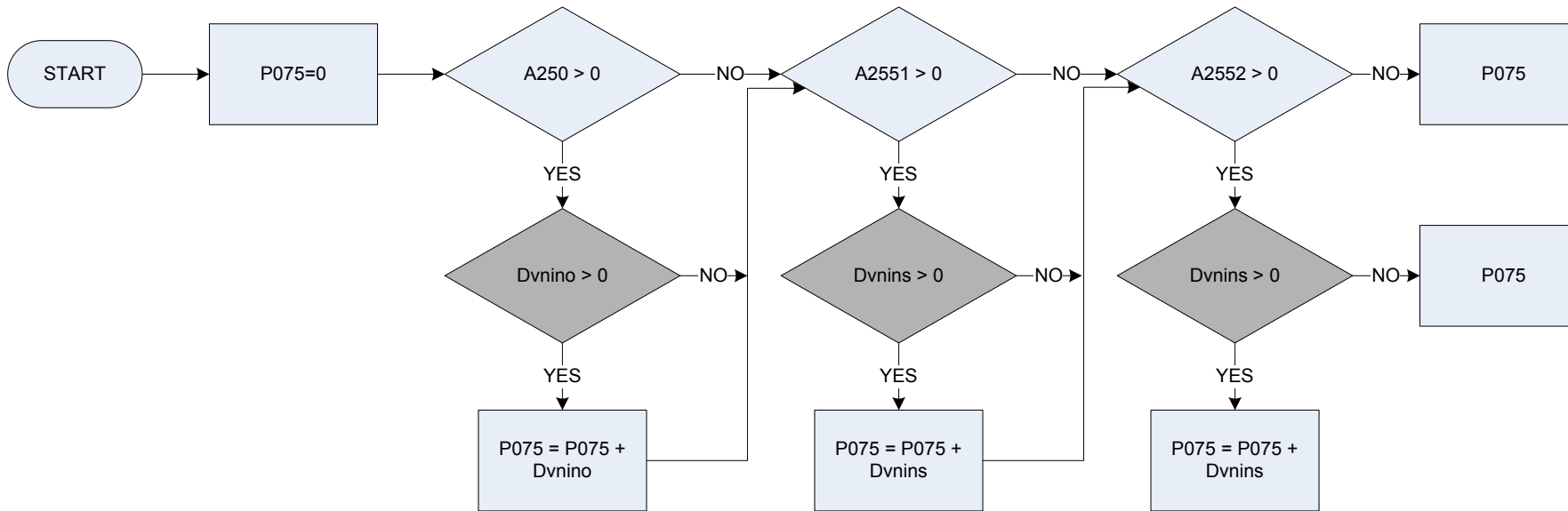
\* 'No response' indicates that the respondent was not routed to the question or the respondent did not answer

**B312** Bonus earnings – gross amount

**B330** Bonus earnings net amount

**Dvbonu** Derived from BonUPAmt to give a weekly amount – *(BonUPAmt- Pay: How much bonus/commission is included?)*

## P075 – NI employees contribution - current



### KEY

**A250**

Main job – last pay was received in specified time period

**0** Not recorded

**1** Received

**A2551**

First subsidiary job – employee: last pay was received in specified time period

**0** Not recorded

**1** Received

**A2552**

Second subsidiary job – employee: last pay was received in specified time period

**0** Not recorded

**1** Received

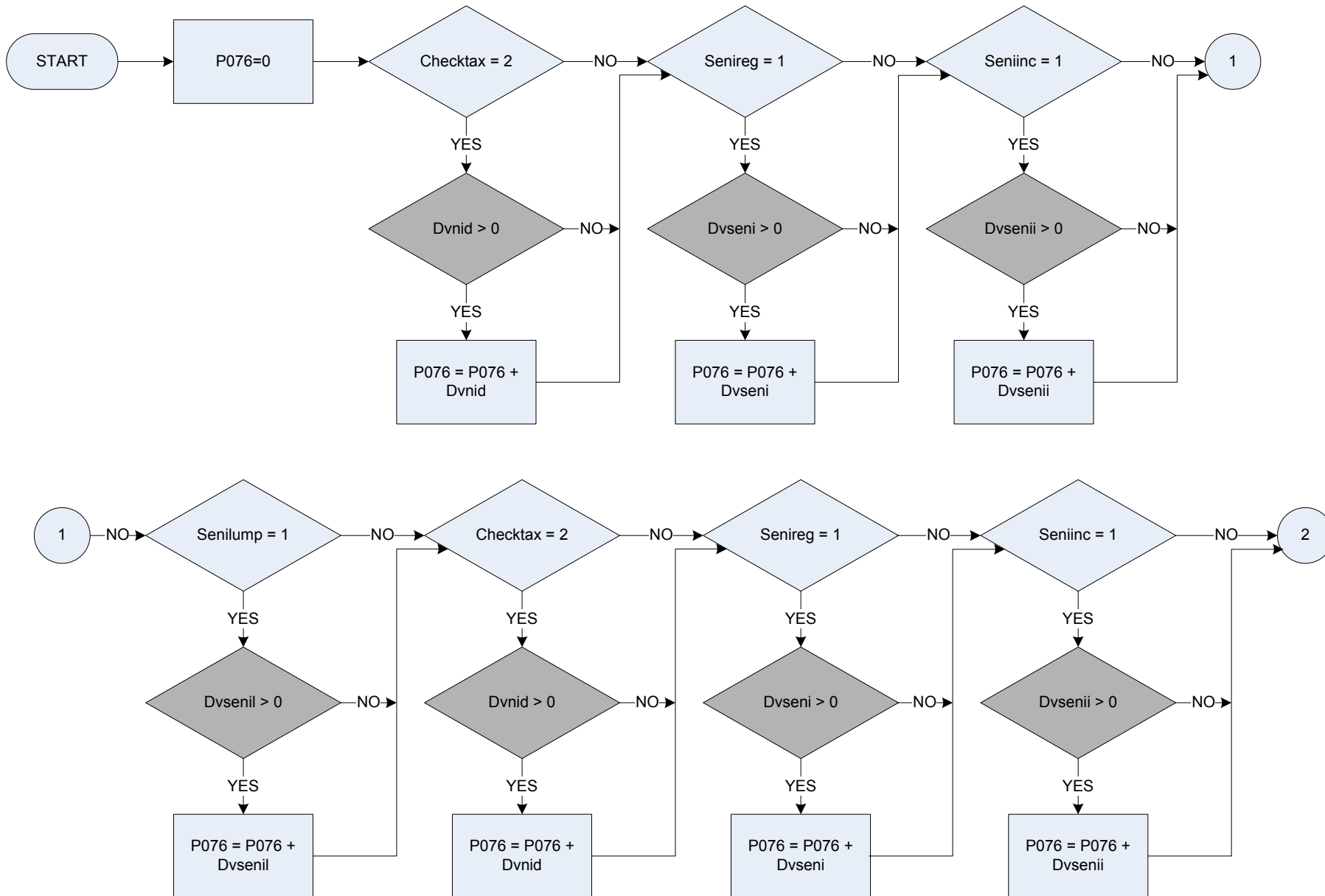
**Dv<sub>no</sub>**

Derived from PyNINO to give a weekly amount – (PyNINO -Pay: How much was deducted as a National Insurance Contribution?)

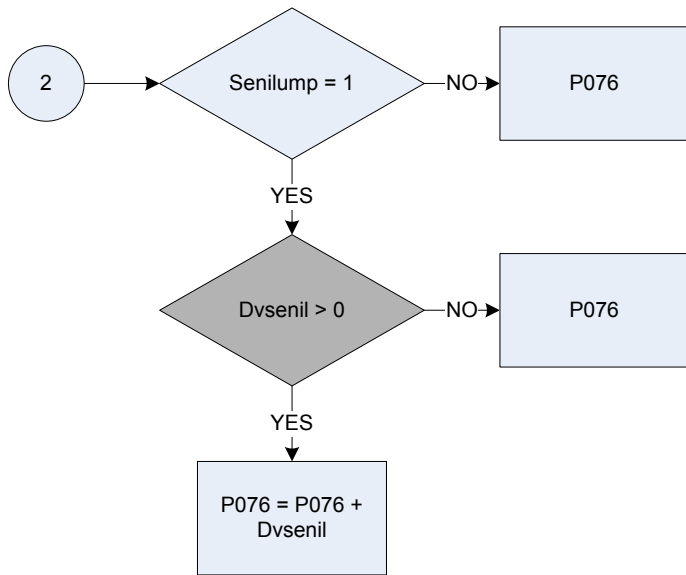
**Dv<sub>nins</sub>**

Derived from SjbNINO to give a weekly amount – (SjbNINO – Subsidiary Job: How much was deducted as National Insurance Contribution?)

# P076 – S/E NI contributions paid last 12 months



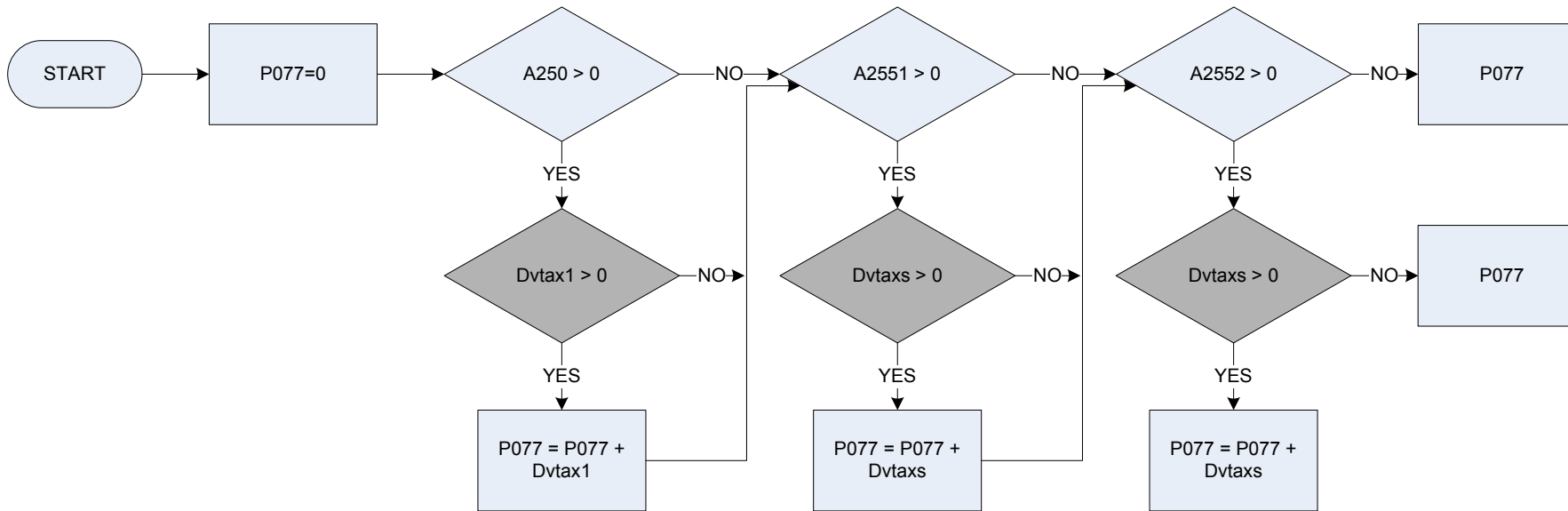
## P076 – S/E NI contributions paid last 12 months



### KEY

<b>Checktax</b>	Was either income tax, or your regular National Insurance contribution DEDUCTED AT SOURCE? <b>1</b> Income tax deducted <b>2</b> Regular NI deducted <b>3</b> No, neither deducted
<b>Dvnid</b>	Derived from NIDAmt to give a weekly amount – (NIDAmt – Self Employment: How much National Insurance was deducted last time?)
<b>Dvseni</b>	Derived from SeNIRAmt to give a weekly amount – (SeNIRAmt – Self Employment: How much was your last National Insurance payment?)
<b>Dvsenii</b>	Derived from SeNIIAmt to give a weekly amount – (SeNIIAmt – Self Employment: How much was the National insurance lump sum payment?)
<b>Dvsenil</b>	Derived from SeNILAmt to give a weekly amount – (SeNILAmt – Self Employment: What was your total lump sum payment in the last 12 months?)
<b>Senireg</b>	Do you pay a regular National Insurance contribution in connection with this job? <b>1</b> Yes <b>2</b> No
<b>Seniinc</b>	Does that figure include a LUMP SUM (Class 4) National Insurance contribution based on taxable profits? <b>1</b> Yes <b>2</b> No
<b>Senilump</b>	In the last 12 months have you paid any lump sum NI contributions based on taxable profits? <b>1</b> Yes <b>2</b> No
<b>SeNIRAmt</b>	Self-Employment: How much was your last National Insurance payment?

**P077 – Paye tax deduction - current**

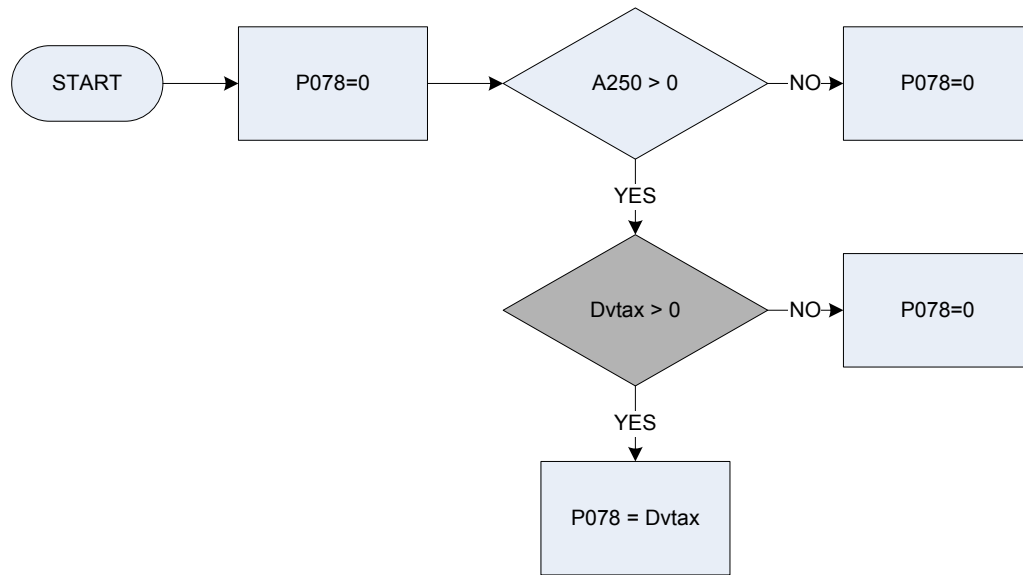


**KEY**

- A250** Main job – last pay was received in specified time period  
**0** Not recorded  
**1** Received
- A2551** First subsidiary job – employee: last pay was received in specified time period  
**0** Not recorded  
**1** Received
- A2552** Second subsidiary job – employee: last pay was received in specified time period  
**0** Not recorded  
**1** Received
- Dvtax1** Derived from PyTax to give a weekly amount – (PyTax - Pay: How much was deducted from the respondent's wage/salary for income tax under PAYE?)
- Dvtaxs** Derived from SJbTax to give a weekly amount – (SJbTax -Subsidiary Job: How much was deducted from the respondent's wage/salary for income tax under PAYE?)



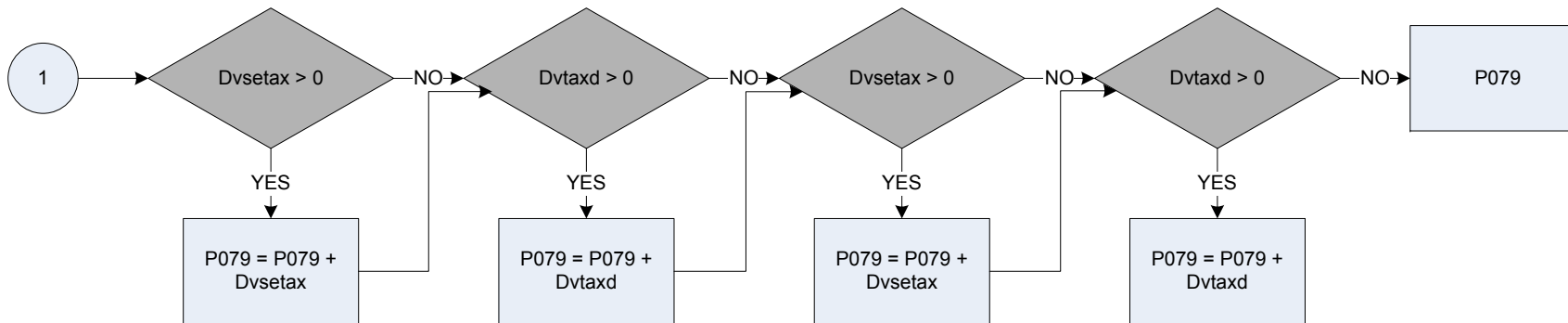
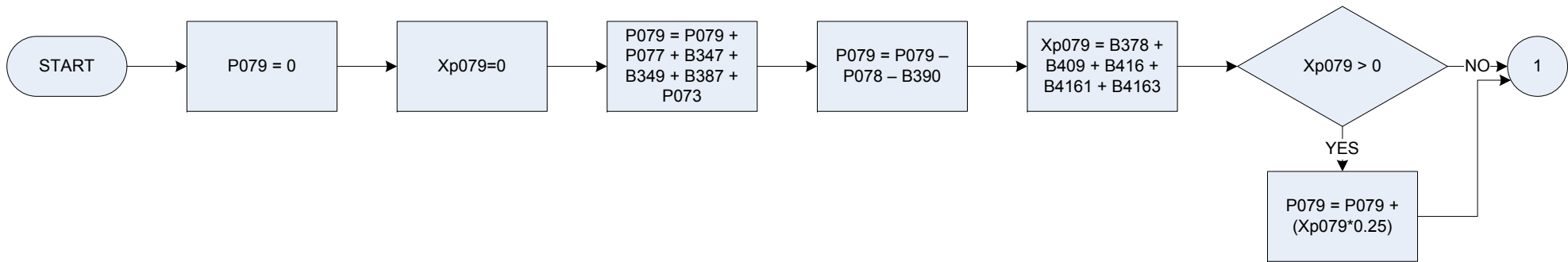
## P078 – Paye tax refund - current



### KEY

<b>A250</b>	Main job – last pay was received in specified time period
<b>0</b>	Not recorded
<b>1</b>	Received
<b>Dvtax</b>	Derived from Taxrefam to give a weekly amount – (Taxrefam – Pay: How much was the tax refund?)

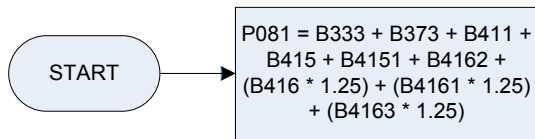
## P079 – Income tax payments less refunds



### KEY

<b>B347</b>	Annuity / trust / covenant - amount tax deducted
<b>B349</b>	Pension (public / private) amount tax deducted
<b>B378</b>	Stocks / shares etc - interest / dividends after tax
<b>B387</b>	Income tax paid direct - amount
<b>B390</b>	Income tax refund received - amount
<b>B409</b>	Gilt-edged stock and war loan - interest
<b>B416</b>	Interest received – Other savings account after tax
<b>B4161</b>	Interest received – Current account after tax
<b>B4163</b>	Interest received – Bank / Building Society after tax
<b>Dvsetax</b>	Derived from SeTaxAmt to give a weekly amount – <i>(SeTaxAmt – Self Employment: How much did you pay altogether in the last 12 months?)</i>
<b>Dvtaxd</b>	Derived from TaxDAmt to give a weekly amount – <i>(TaxDAmt – Self Employment: How much income tax was deducted last time?)</i>
<b>P073</b>	Tax paid on bonuses
<b>P077</b>	Paye tax deduction - current
<b>P078</b>	Paye tax refund - current
<b>Xp079</b>	Temporary variable

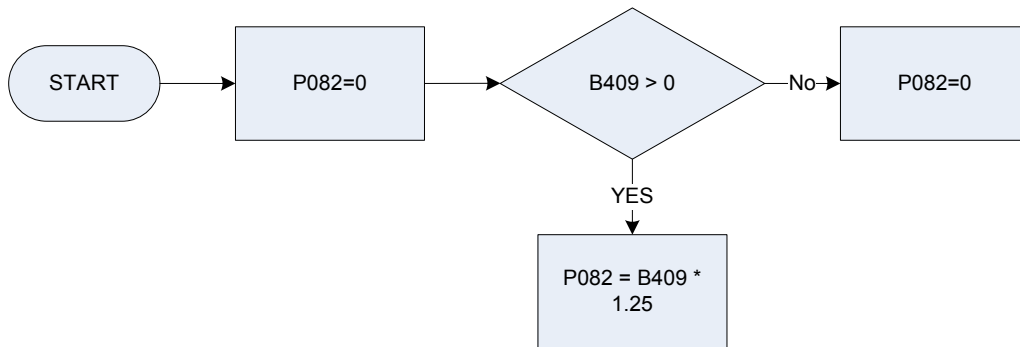
## P081 - Interest & tax on bank, nat savings, TESSA, ISAs



### KEY

<b>B333</b>	National savings investment account – interest received
<b>B373</b>	Nat savings ordinary account – interest received
<b>B411</b>	ISA interest received
<b>B415</b>	Interest received – Other account before tax
<b>B416</b>	Interest received – Other savings account after tax
<b>B4151</b>	Interest received – Current account before tax
<b>B4161</b>	Interest received – Current account after tax
<b>B4162</b>	Interest received – Bank / Building Society before tax
<b>B4163</b>	Interest received – Bank / Building Society after tax

## P082 – Interest & tax on gilt-edge & war loans

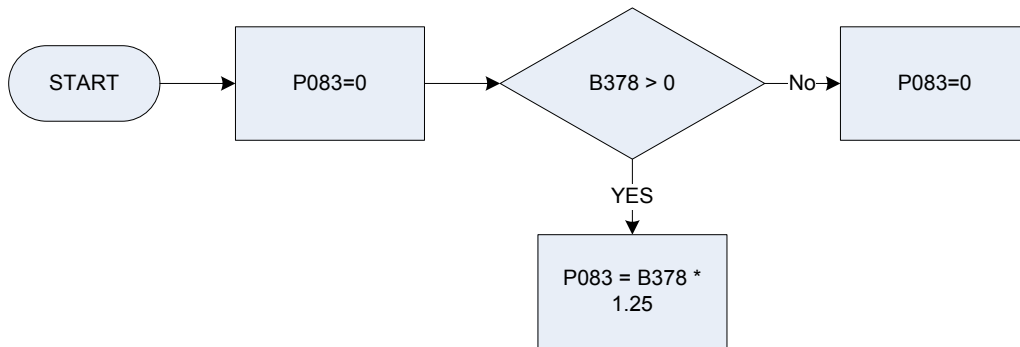


### KEY

B409

Gilt-edged stock and war loan – interest

**P083 – Interest & tax on stocks and shares etc**

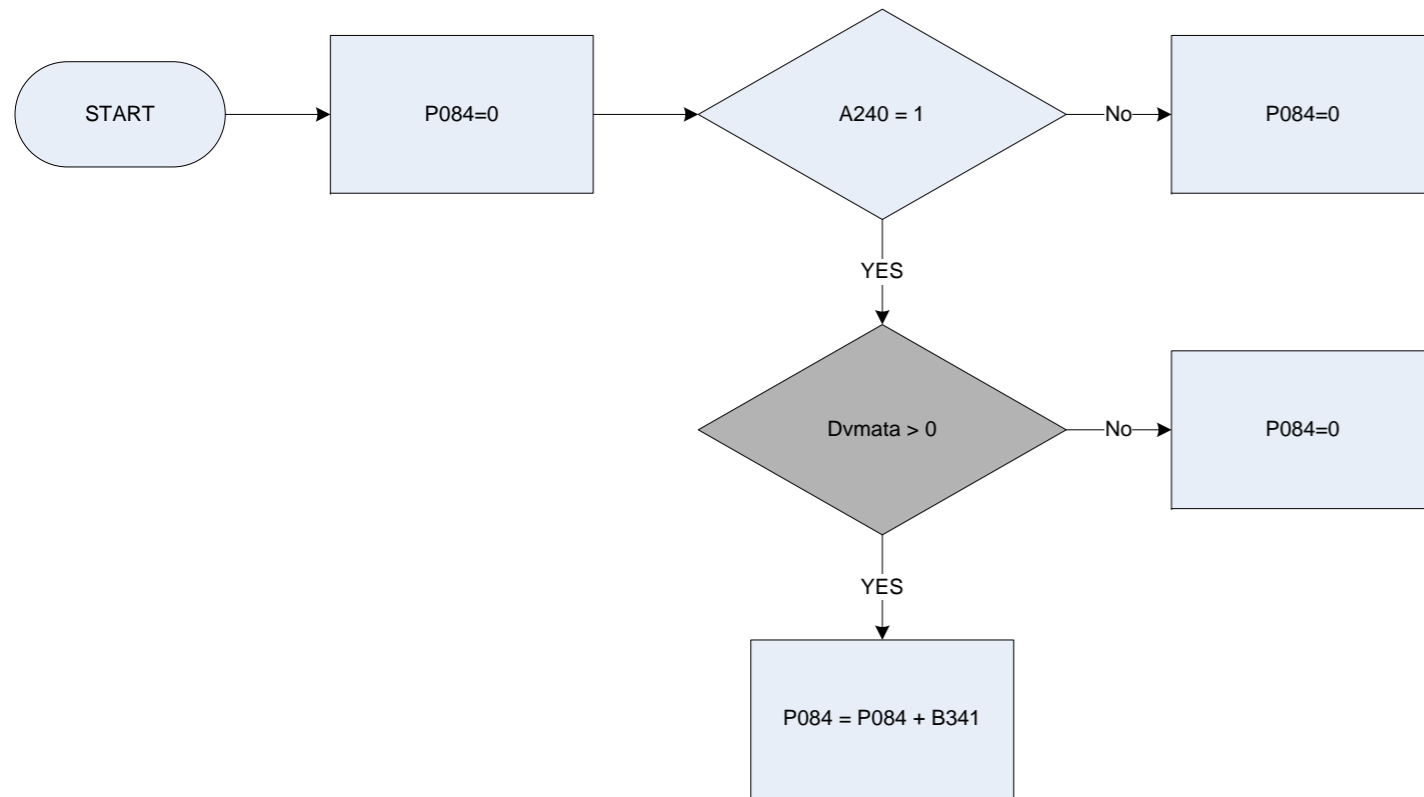


**KEY**

**B378**

Stocks/shares etc – interest/dividends after tax

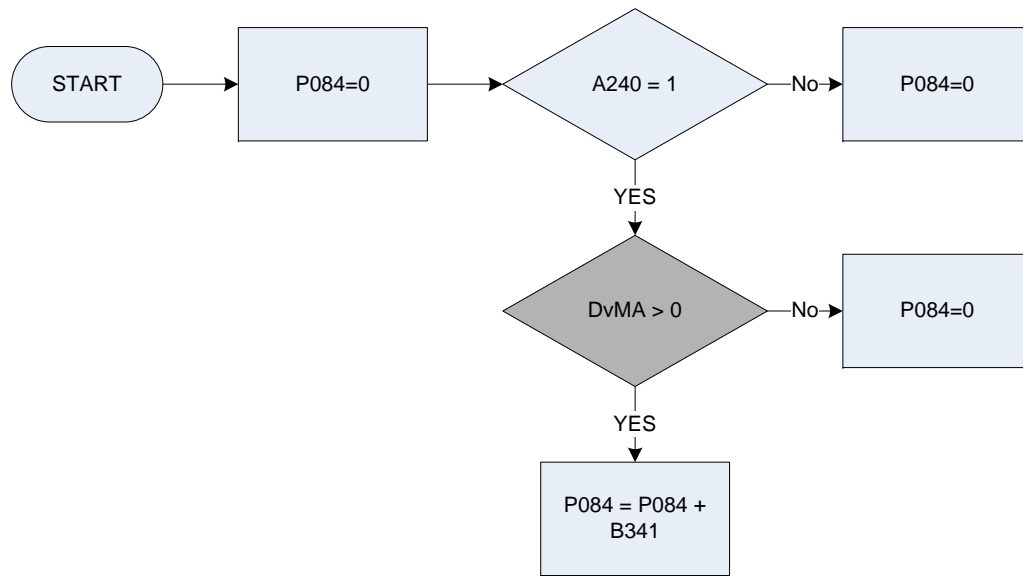
**P084 – Maternity allowance – amount currently received (for cases January – June 2013)**



**KEY**

- A240** Maternity allowance – receiving at present  
0 Not applicable  
1 Receiving at present
- B341** Maternity allowance – amount received
- Dvmata** Derived variable for Maternity Allowance (*Dvmata – benefits: How much is the respondent currently receiving?*)

**P084 – Maternity allowance – amount currently received (for cases from July 2013)**



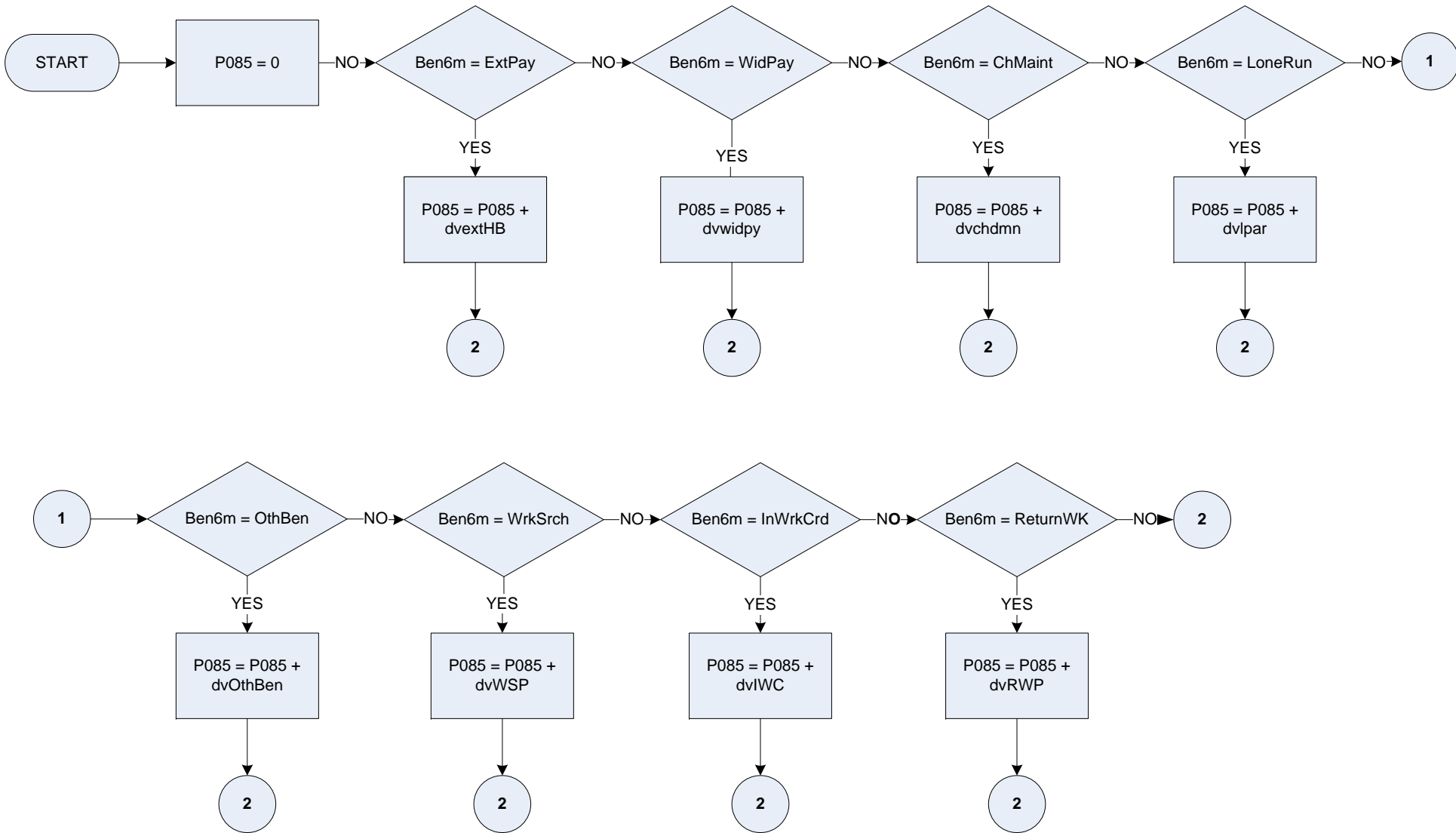
**KEY**

**A240** Maternity allowance – receiving at present  
0 Not receiving at present  
1 Receiving at present

**B341** Maternity allowance – amount received

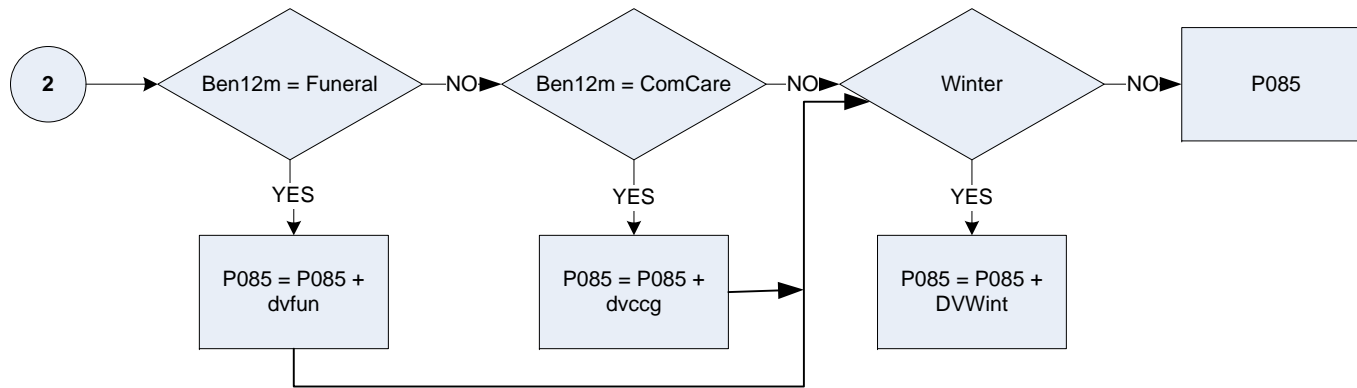
**DvMA** Derived from response to Benamt to give a weekly amount for Maternity Allowance (*Benamt: How much did the respondent get last time for this benefit?*)

**P085 – Any other benefit – amount currently received (for cases January - June 2013)**





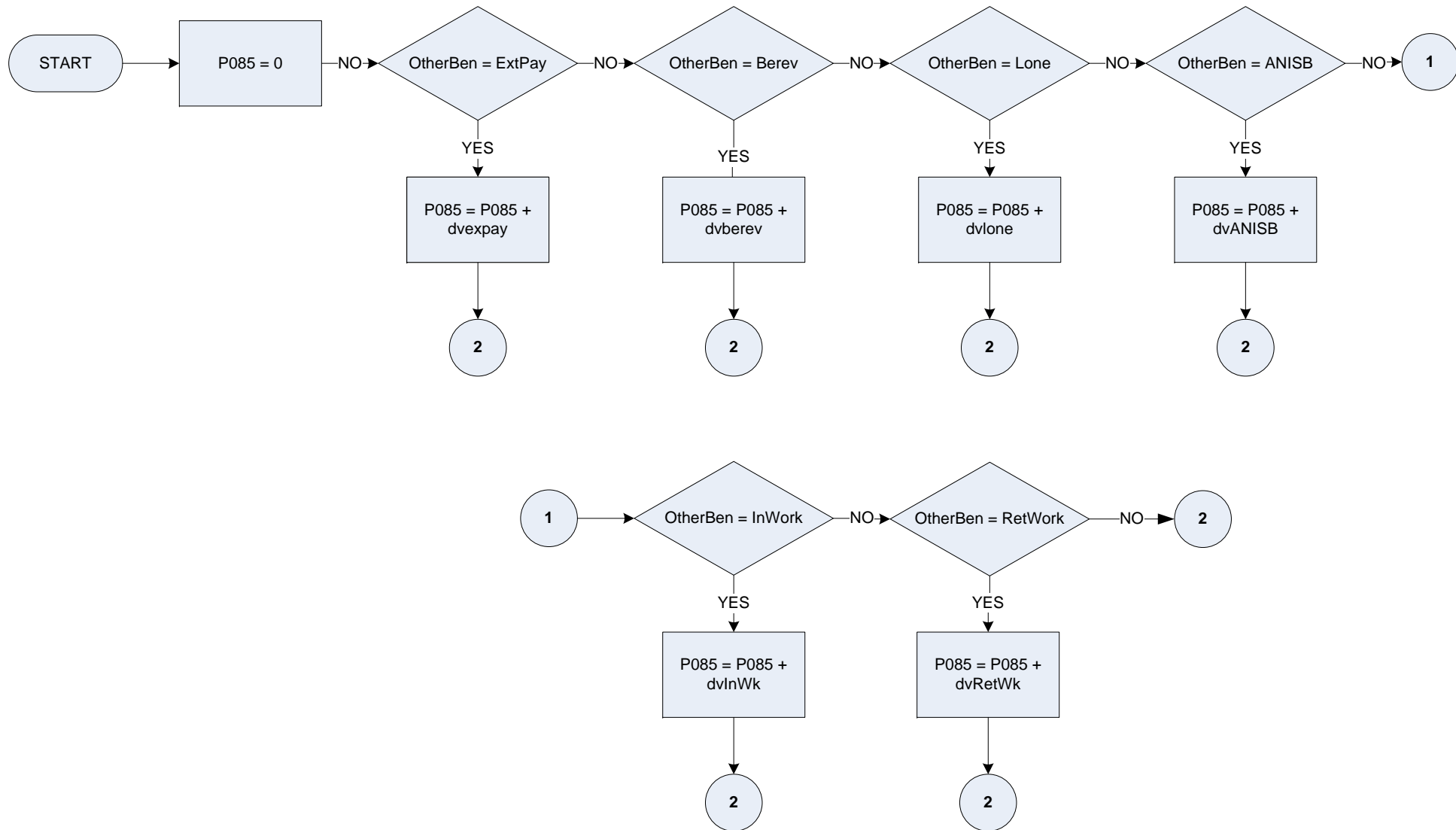
**P085 – Any other benefit – amount currently received (for cases January - June 2013)**



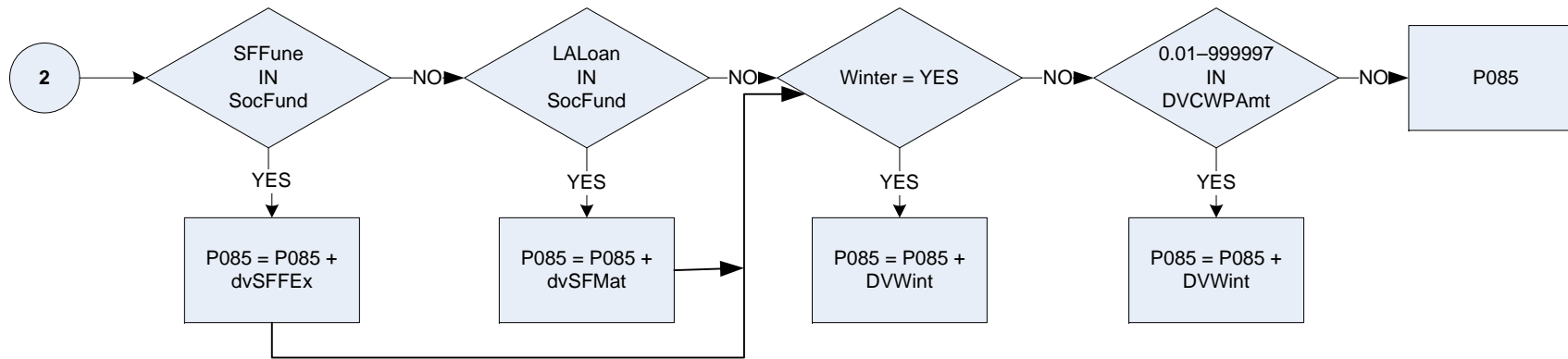
**Key**

- Ben6m** In the last 6 months, has the respondent received any of the things shown below in their own right?  
**ExtPay** Extended payment of Housing benefit/rent rebate, or Council Tax Benefit (4 week payment only)  
**WidPay** Widow's payment or bereavement Payment – lump sum  
**ChMaint** Child Maintenance bonus  
**LoneRun** Lone Parent's benefit Run-On  
**OthBen** Any National Insurance or State benefit not mentioned earlier
- Ben12m** In the last 12 months, has the respondent received any of the things shown below in their own right?  
**ExtPay** Extended payment of Housing benefit/rent rebate, or Council Tax Benefit (4 week payment only)  
**WidPay** Widow's payment or bereavement Payment – lump sum  
**ChMaint** Child Maintenance bonus  
**LoneRun** Lone Parent's benefit Run-On  
**OthBen** Any National Insurance or State benefit not mentioned earlier
- Dvccg** DV for for social fund or community care grant  
**Dvchdmn** Dv for Child Maintenance Bonus  
**DvextHB** Dv for extended payment  
**Dvfun** DV for Funeral expenses  
**Dvlparr** DV for Lone-parent's benefit run-on  
**Dvllwc** DV for In work credit  
**Dvotbhen** DV for other benefit  
**Dvrrwp** DV for Return to work payment  
**Dvwidpy** Dv for Widows payment  
**Dvwint** DV for winter fuel payment  
**Dvwsp** DV for work search premium  
**InWrkCrd** In-work credit  
**LoneRun** Lone Parent's benefit  
**ReturnWk** Return to work payment  
**Wrksrch** Work search premium

**P085 – Any other benefit – amount currently received (for cases from July 2013)**



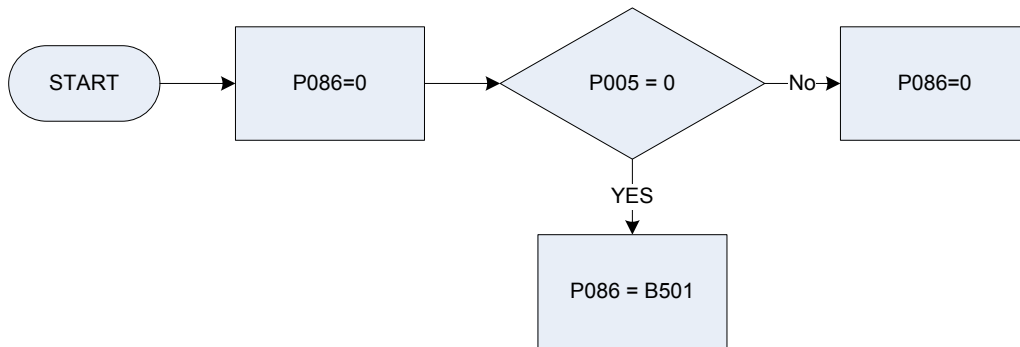
**P085 – Any other benefit – amount currently received (for cases from July 2013)**



Key

- DVANISB** DV for any National Insurance or State Benefit not mentioned earlier
- Dvberev** DV for Bereavement Payment
- DvCWPAm** Dv for Cold Weather payment
- DvIwc** DV for In-Work Credit
- Dvlone** DV for Lone-parent's benefit run-on/Job Grant
- DvRetwk** DV for Return to Work Credit
- DvWint** DV for winter fuel payment
- OtherBen** In the last 6 months, has the respondent received any of these state benefits in their own right: that is, where they are the named recipient?
  - ExtPay** *Extended Payment' of Housing Benefit/rent rebate (4 week payment only)*
  - Berev** *Bereavement Payment*
  - Lone** *Lone Parent's Benefit Run-on/Job Grant*
  - InWork** *In-Work Credit*
  - RetWork** *Return to Work Credit*
  - ANISB** *Any National Insurance or State Benefit not mentioned earlier*
- SocFund** In the last 12 months, has the respondent received any of these state benefits in their own right: that is, where they are the named recipient?
  - SFFune** *A grant from the Social Fund for funeral expenses*
  - SFMat** *A grant from the Social Fund for maternity expenses/Sure Start Maternity Grant*
  - DWPloan** *A loan or grant from DWP*
  - Laloan** *A loan or grant from your Local Authority*
- Winter** In the last 12 months, has the respondent received a winter fuel payment in their own right?
  - Yes**
  - No**

**P086 – TU | Friendly society benefits – 13 week rule**

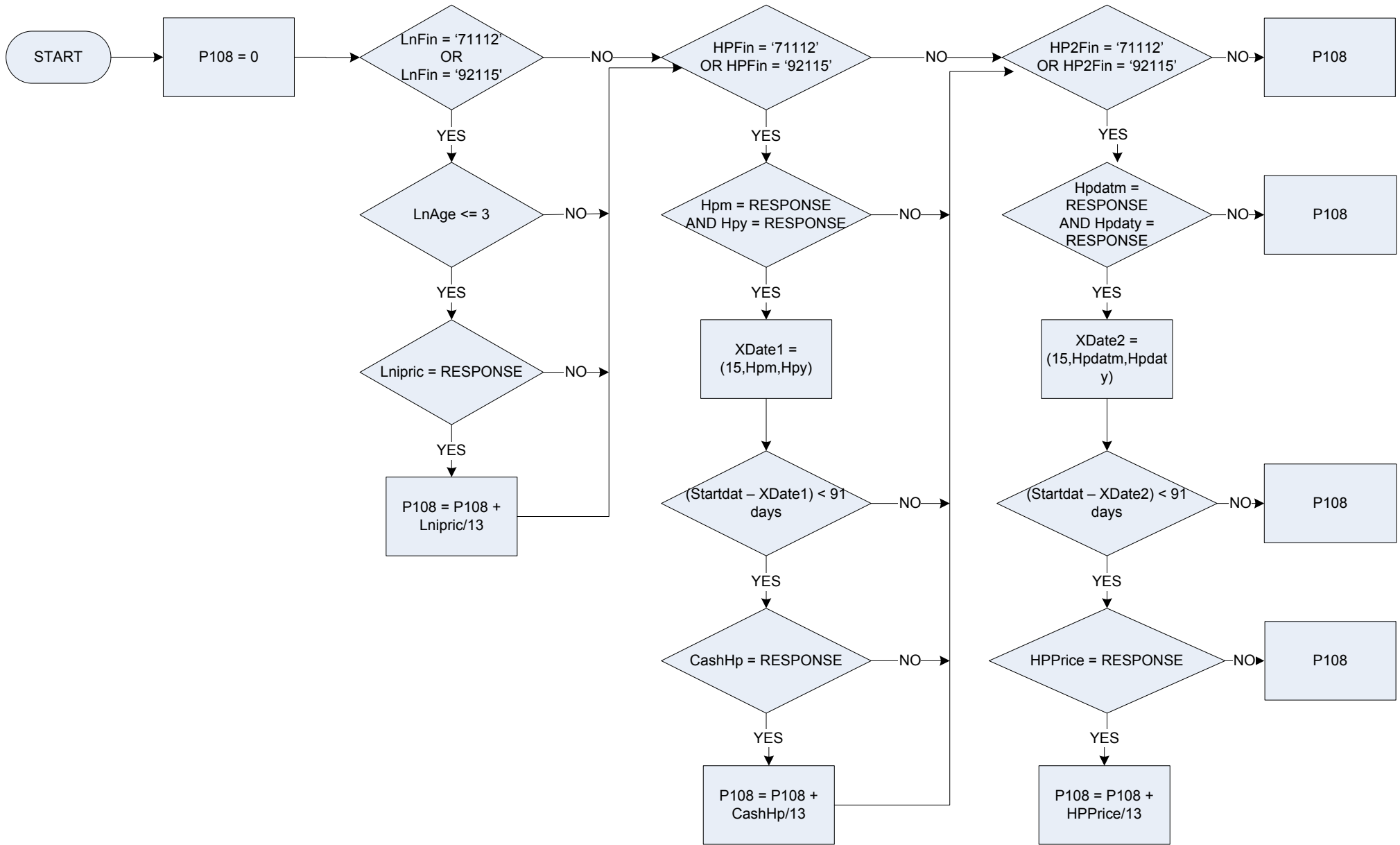


**KEY**

**B501**  
**P005**

Private benefits – amount received at present  
Gross wage, salary last time paid (main – 13 weeks)

# P108 – New cars – purchase price

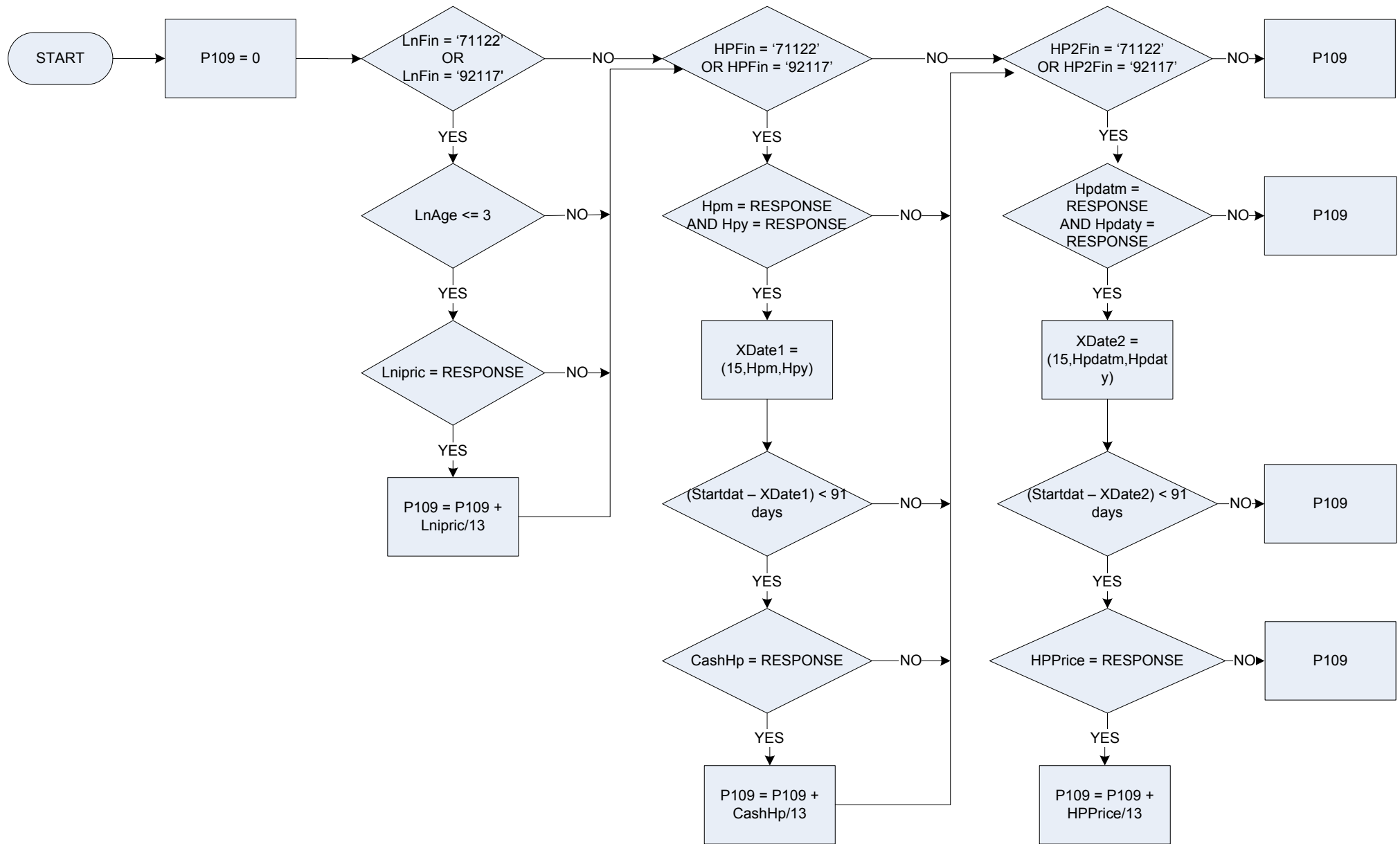


## P108 – New cars – purchase price

### KEY

<b>CashHP</b>	Weekly equivalent value of the cash price
<b>HP2Fin = 71112</b>	Hire purchase (HP) expenditure code: Loan/HP purchase of new car/van
<b>HP2Fin = 92115</b>	Hire purchase (HP) expenditure code: Loan/HP purchase of new motor caravan
<b>Hpdatm</b>	Hire Purchase: In which month did respondent obtain the item or service?
<b>Hpdaty</b>	Hire Purchase: In which year did respondent obtain the item or service?
<b>HPFin</b>	Hire Purchase or credit sale agreement
<b>Hpm</b>	Hire Purchase: In which month did respondent obtain the item or service?
<b>HpnPsn</b>	Hire Purchase: Who entered this agreement?
<b>HPPrice</b>	Hire Purchase: What was the cash price?
<b>HpPsn</b>	Hire Purchase: Who entered this agreement?
<b>Hpy</b>	Hire Purchase: In which year respondent obtained the item or service?
<b>LnAge</b>	Age of loan [Number = months]
<b>LnFin = 71112</b>	Loan expenditure code: Loan/HP purchase of new car/van
<b>LnFin = 92115</b>	Loan expenditure code: Loan/HP purchase of new motor caravan
<b>Lnipex</b>	Loans: How much was allowed in part exchange?
<b>Lnipric</b>	Total cash price

# P109 – Second hand cars – purchase price



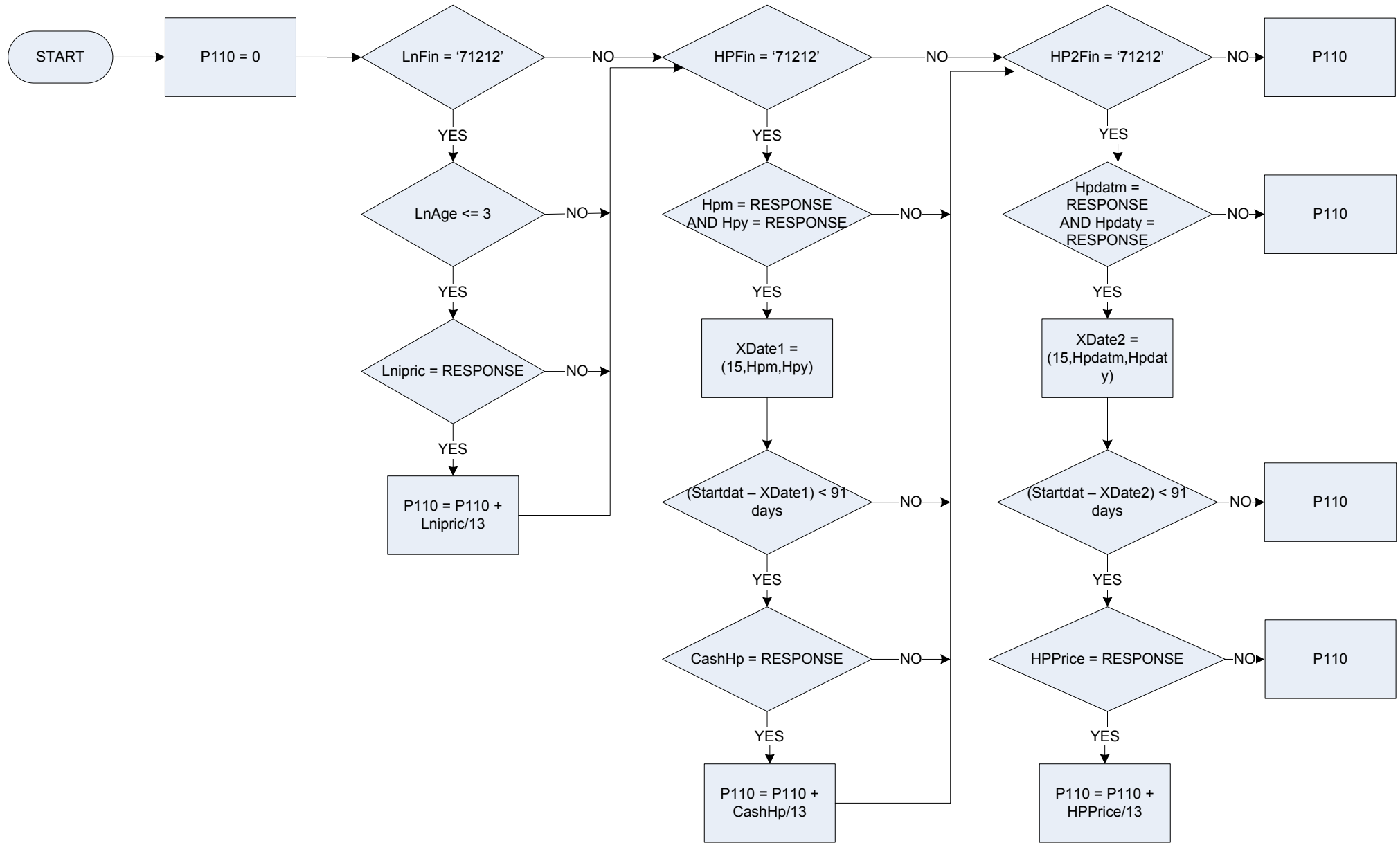
## P109 – Second hand cars – purchase price

### KEY

<b>CashHP</b>	Weekly equivalent value of the cash price
<b>HP2Fin = 71122</b>	Hire Purchase expenditure code: Loan/hire purchase of second-hand car/van
<b>HP2Fin = 92117</b>	Hire Purchase expenditure code: Loan/HP purchase of second-hand motor caravan
<b>Hpdatm</b>	Hire Purchase: In which month did respondent obtain the item or service?
<b>Hpdaty</b>	Hire Purchase: In which year did respondent obtain the item or service?
<b>HPFin</b>	HP or credit sale agreement
<b>Hpm</b>	Hire Purchase: In which month did respondent obtain the item or service?
<b>HpnPsn</b>	Hire Purchase: Who entered this agreement?
<b>HPPrice</b>	Hire Purchase: What was the cash price?
<b>HpPsn</b>	Hire Purchase: Who entered this agreement?
<b>Hpy</b>	Hire Purchase: In which year respondent obtained the item or service?
<b>LnAge</b>	Age of loan [Number = months]
<b>LnFin = 71122</b>	Loans expenditure code: Loan/hire purchase of second-hand car/van
<b>LnFin = 92117</b>	Loans expenditure code: Loan/HP purchase of second-hand motor caravan
<b>Lnipex</b>	Loans: How much was allowed in part exchange?
<b>Lnipric</b>	Total cash price



# P110 – Motorcycles – purchase price

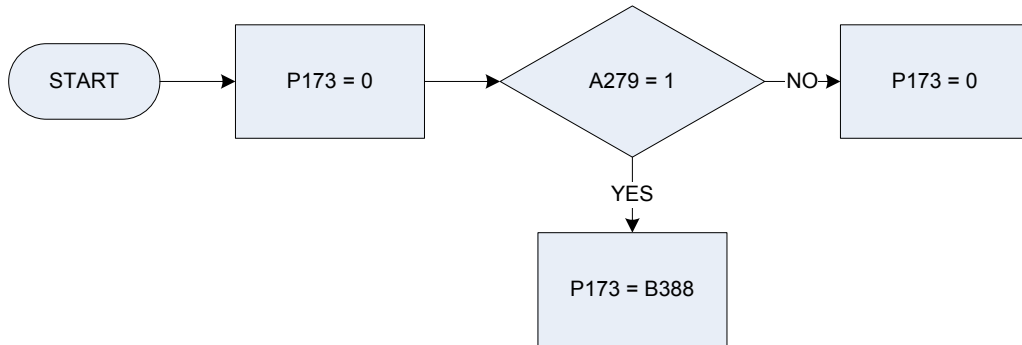


## P110 – Second hand cars – purchase price

### KEY

<b>CashHP</b>	Weekly equivalent value of the cash price
<b>HP2Fin = 71212</b>	Hire Purchase expenditure code: Loan/hire purchase of new or second-hand motorcycle
<b>Hpdatm</b>	Hire Purchase: In which month did respondent obtain the item or service?
<b>Hpdaty</b>	Hire Purchase: In which year did respondent obtain the item or service?
<b>HPFin</b>	HP or credit sale agreement
<b>Hpm</b>	Hire Purchase: In which month did respondent obtain the item or service?
<b>HpnPsn</b>	Hire Purchase: Who entered this agreement?
<b>HPPrice</b>	Hire Purchase: What was the cash price?
<b>HpPsn</b>	Hire Purchase: Who entered this agreement?
<b>Hpy</b>	Hire Purchase: In which year respondent obtained the item or service?
<b>LnAge</b>	Age of loan [Number = months]
<b>LnFin = 71212</b>	Loans expenditure code: Loan/hire purchase of new or second-hand motorcycle
<b>Lnipex</b>	Loans: How much was allowed in part exchange?
<b>Lnipric</b>	Total cash price
<b>LnPsn</b>	Loans: Who makes the payments?

## P173 – Current statutory sick pay

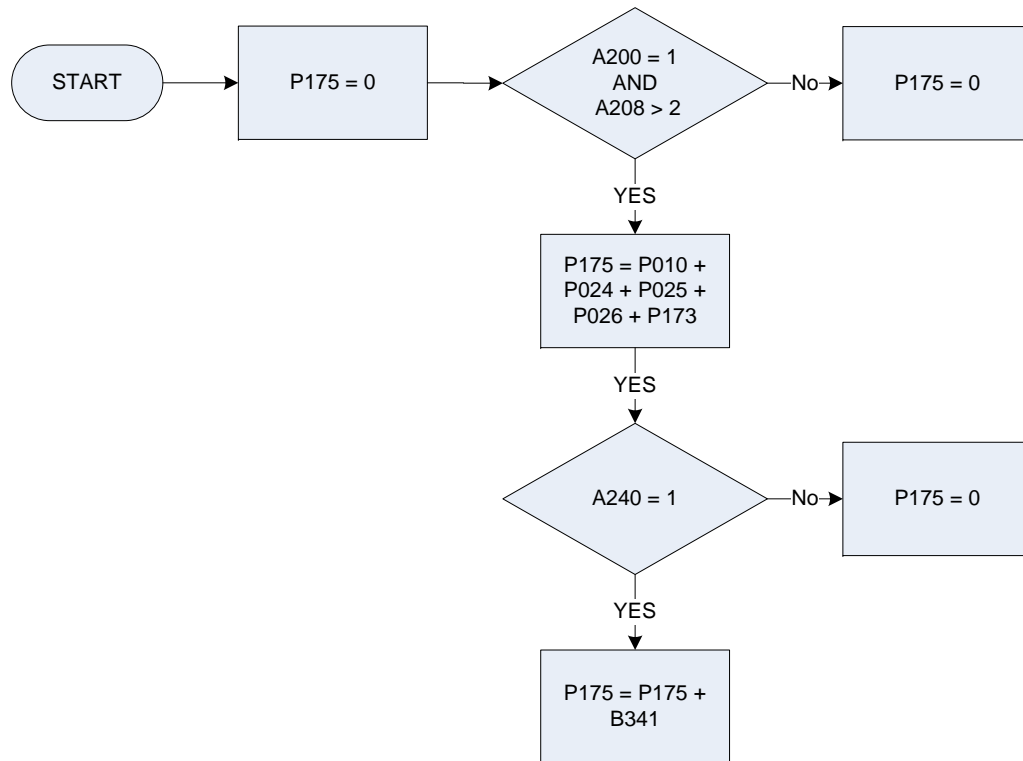


### KEY

A279  
B388

Statutory sick pay – receiving at present  
NI retirement pension – last amount received

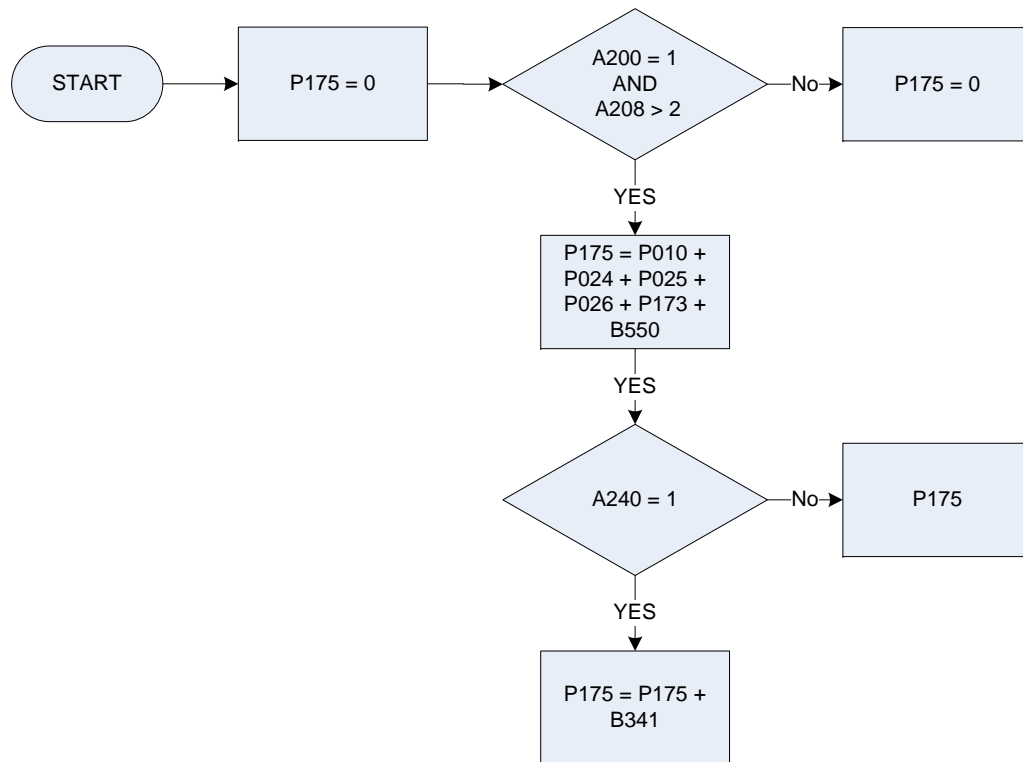
**P175 – Social security benefits received by employees away from work without pay for more than 2 weeks (for cases January - June 2013)**



**KEY**

- A200** Employment status = Employee (FES definition)
- A208** Number of weeks away from work
- A240** Maternity allowance – receiving at present
- B341** Maternity allowance – amount received
- P010** GTP allowance – current
- P024** Job Seekers Allowance – current
- P025** Income support amount received
- P026** Incapacity benefit – amount received at present
- P173** Current statutory sick pay

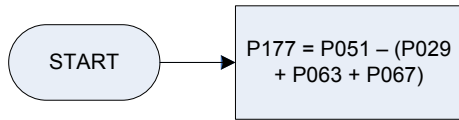
**P175 – Social security benefits received by employees away from work without pay for more than 2 weeks (for cases from July 2013)**



**KEY**

- A200** Employment status = Employee (FES definition)
- A208** Number of weeks away from work
- A240** Maternity allowance – receiving at present
- B341** Maternity allowance – amount received
- B550** Universal Credit – amount received
- P010** Government Training Programme allowance – current
- P024** Job Seekers Allowance – current
- P025** Income support amount received
- P026** Incapacity benefit – amount received at present
- P173** Current statutory sick pay

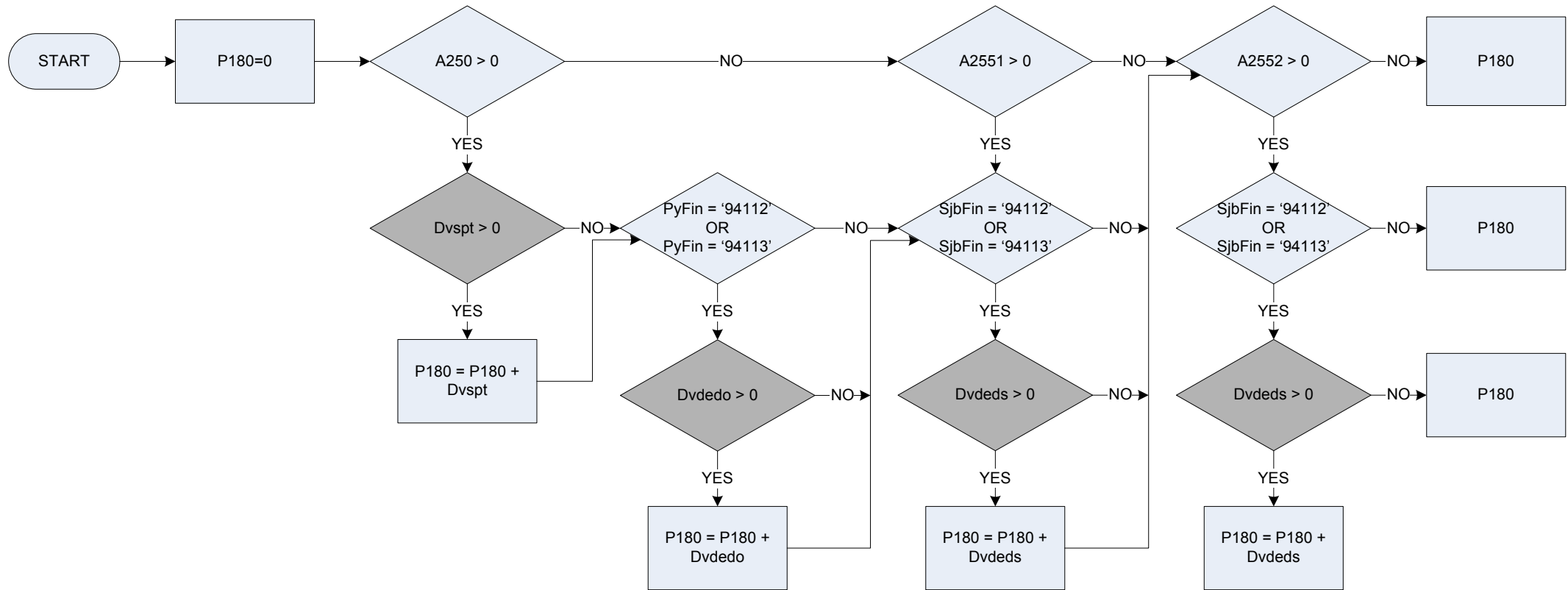
## P177 – Pension gross income, less Tax & NI



### KEY

<b>P029</b>	NI contributions paid by non-employees
<b>P051</b>	Total personal gross income (normal)
<b>P063</b>	NI employees contribution, 13 week rule
<b>P067</b>	Income tax, payments less refunds (13 week rule)

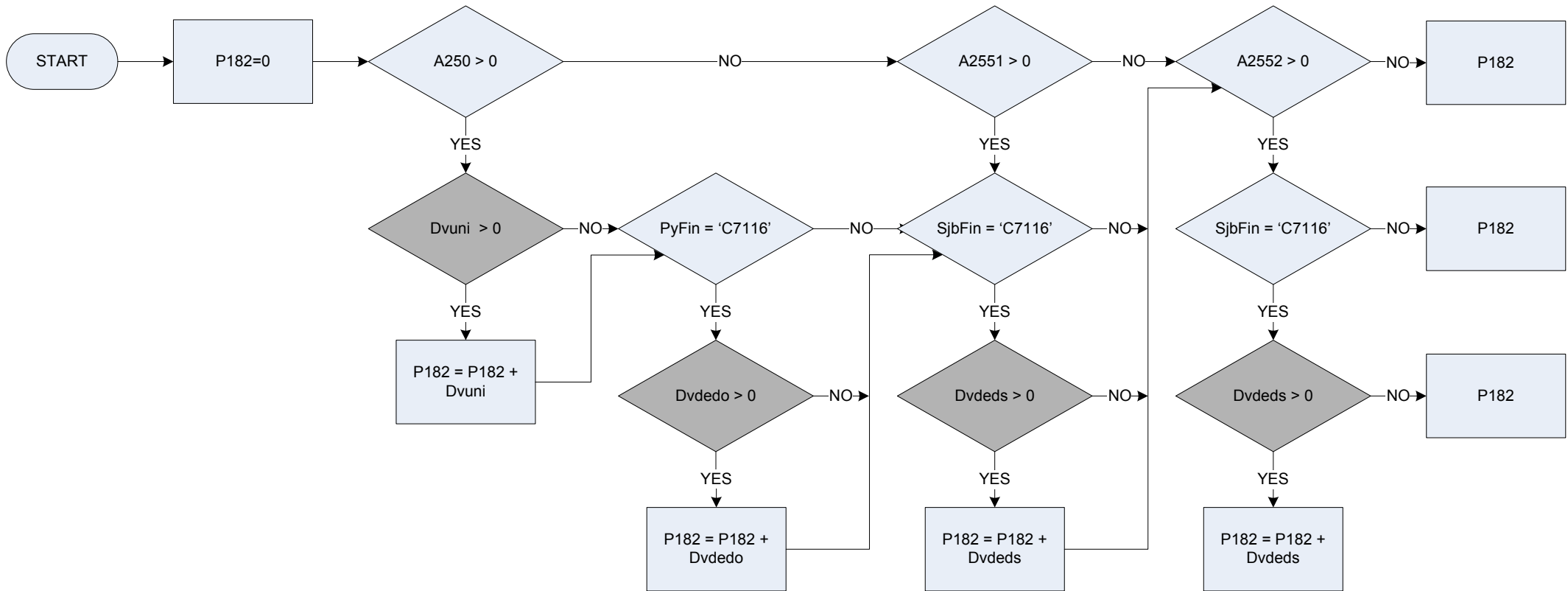
## P180 – Participant sports, specialised pastimes



### KEY

<b>A250</b>	Main job - last pay was received in specified time period 1 Not recorded 2 Received
<b>A2551</b>	First subsidiary job - employee: last pay was received in specified time period 0 Not recorded 1 Received
<b>A2552</b>	Second subsidiary job - employee: last pay was received in specified time period 0 Not recorded 1 Received
<b>Dvdedo</b>	Derived from PyDAmt to give a weekly amount – (PyDAmt – Pay: How much was deducted for [other deduction]?)
<b>Dvdeds</b>	Derived from SjbDAmt to give a weekly amount – (SjbDAmt – Subsidiary Job: How much was deducted for this deduction?)
<b>Dvspt</b>	Derived from SptDAmt to give a weekly amount – (SptDAmt – Pay: How much was deducted for sports clubs or specialist pastimes?)
<b>PyFin = 94112</b>	Deduction from pay (main job): Participation sports excluding subscriptions
<b>PyFin = 94113</b>	Deduction from pay(main job): Subscriptions to sports social clubs
<b>SjbFin = 94112</b>	Deduction from pay (subsidiary job): Participant sports excluding subscriptions
<b>SjbFin = 94113</b>	Deduction from pay (subsidiary job): Subscriptions to sports and social clubs

## P182 – Subscriptions to trade unions, professional organisations. etc



### KEY

**A250**

Main job - last pay was received in specified time period

0 Not recorded

1 Received

**A2551**

First subsidiary job as employee: last pay was received in specified time period

0 Not recorded

1 Received

**A2552**

Second subsidiary job as employee: last pay was received in specified time period

0 Not recorded

1 Received

**Dvdedo**

Derived from PyDAmt to give a weekly amount – (PyDAmt – Pay: How much was deducted for [other deduction]?)

**Dvuni**

Derived from UnDAmt to give a weekly amount – (UnDAmt – Pay: How much was deducted for union fees?)

**Dvdeds**

Derived from SjbDAmt to give a weekly amount – (SjbDAmt – Subsidiary Job: How much was deducted for this deduction?)

**PyFin = C7116**

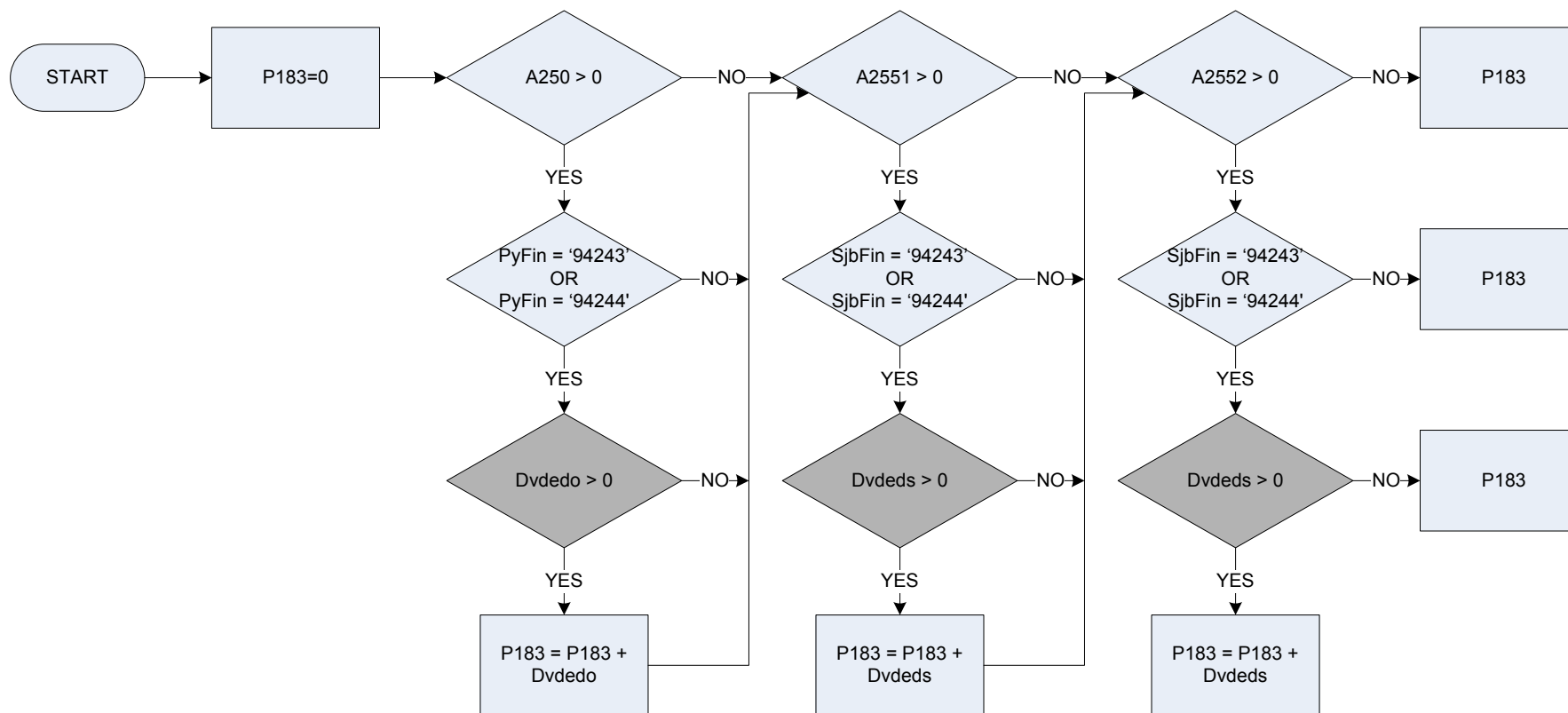
Deduction from pay (main job): Trade Unions and professional organisations

**SjbFin = C7116**

Deduction from pay (subsidiary job): Trade Unions and professional organisations



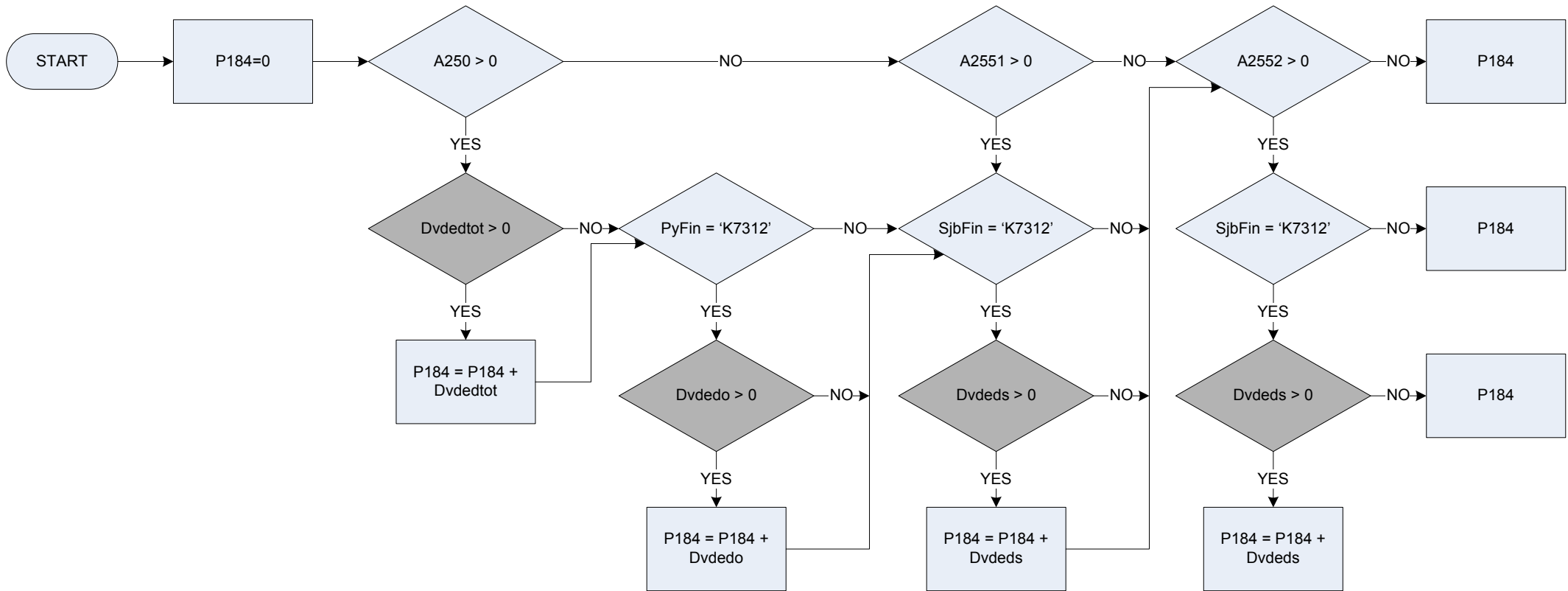
## P183 – Other subscriptions



### KEY

<b>A250</b>	Main job - last pay was received in specified time period 0 Not recorded 1 Received
<b>A2551</b>	First subsidiary job as employee: last pay was received in specified time period 0 Not recorded 1 Received
<b>A2552</b>	Second subsidiary job as employee: last pay was received in specified time period 0 Not recorded 1 Received
<b>Dvdeds</b>	Derived from SJDAMt to give a weekly amount – (SJDAMt – Subsidiary Job: How much was deducted for this deduction?)
<b>Dvdedo</b>	Derived from PyDAMt to give a weekly amount – (PyDAMt – Pay: How much was deducted for [other deduction]?)
<b>PyFin = 94243</b>	Deduction from pay (main job): Subscriptions for leisure activities
<b>PyFin = 94244</b>	Deduction from pay (main job): Other subscriptions
<b>SjbFin = 94243</b>	Deduction from pay (subsidiary job): Subscriptions for leisure activities
<b>SjbFin = 94244</b>	Deduction from pay (subsidiary job): Other subscriptions

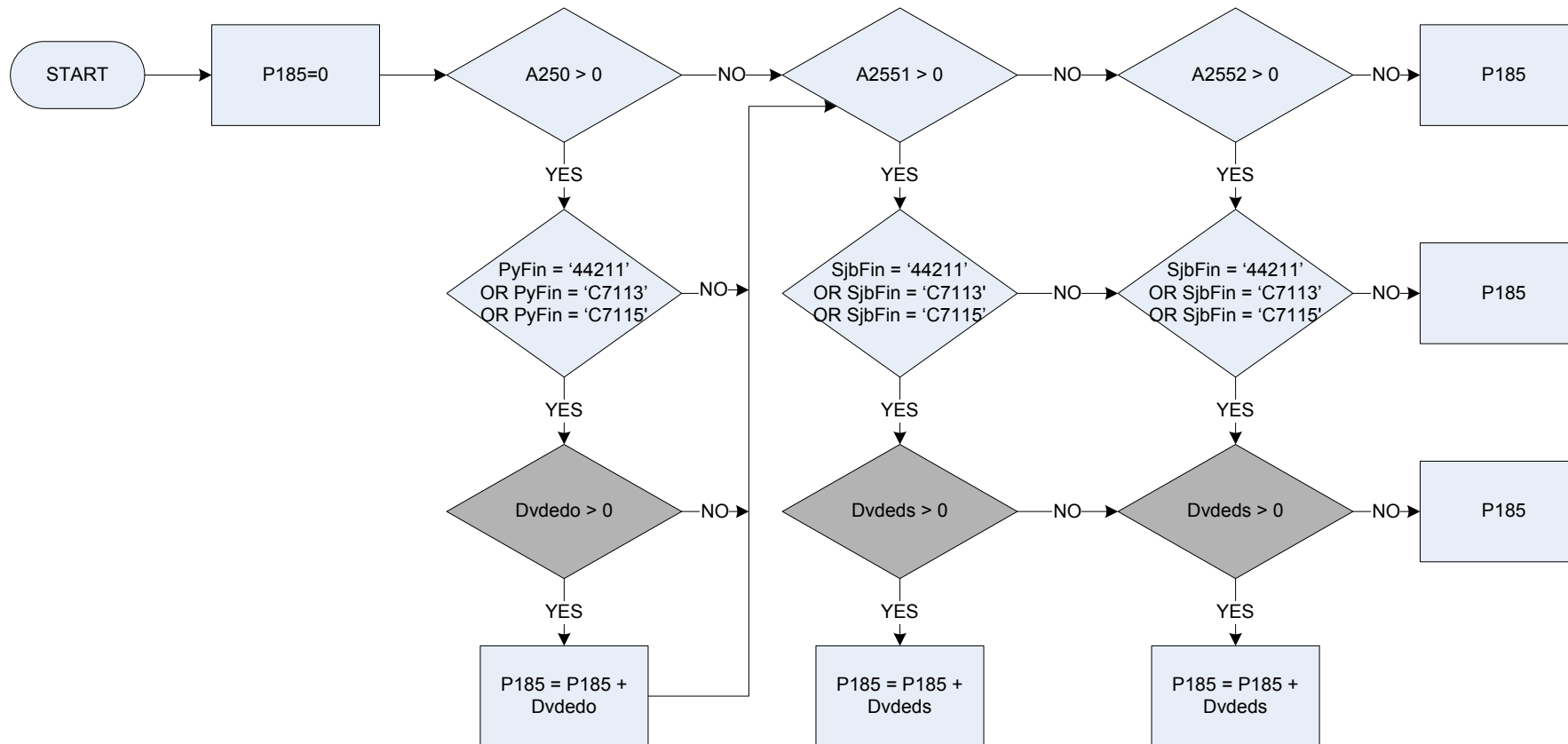
## P184 – Charitable gifts



### KEY

- A250** Main job - last pay was received in specified time period  
 0 Not recorded  
 1 Received
- A2551** First subsidiary job - employee: last pay was received in specified time period  
 0 Not recorded  
 1 Received
- A2552** Second subsid job - employee: last pay was received in specified time period  
 0 Not recorded  
 1 Received
- Dvdedo** Derived from PyDAmt to give a weekly amount – (PyDAmt – Pay: How much was deducted for [other deduction]?)
- Dvdedo** Derived from SjbDAmt to give a weekly amount – (Subsidiary Job: How much was deducted for this deduction?)
- Dvdedtot** Derived from DedTot - How much was deducted for charities?
- PyFin = K7312** Deduction from pay (main job): Charitable gifts
- SjbFin = K7312** Deduction from pay (subsidiary job): Charitable gifts

## P185 – Miscellaneous expenditure on services



### KEY

#### A250

Main job – last pay was received within specified time period

0 Not recorded

1 Received

#### A2551

First subsidiary job as employee: last pay was received within specified time period

0 Not recorded

1 Received

#### A2552

Secondary subsidiary job as employee: last pay was received within specified time period

0 Not recorded

1 Received

#### Dvdedo

Derived from PyDAmt to give a weekly amount – (PyDAmt – Pay: How much was deducted for [other deduction]?)

#### Dvdeds

Derived from SjbDAmt to give a weekly amount – (SjbDAmt – Subsidiary Job: How much was deducted for this deduction?)

PyFin = 44211

Deduction from pay (main job): Refuse collection, including skip hire

PyFin = C7113

Deduction from pay (main job): Other payments for services, e.g. photocopying

PyFin = C7115

Deduction from pay (main job): Other professional fees, including court fines

SjbFin = 44211

Deduction from pay (subsidiary job): Refuse collection, including skip hire

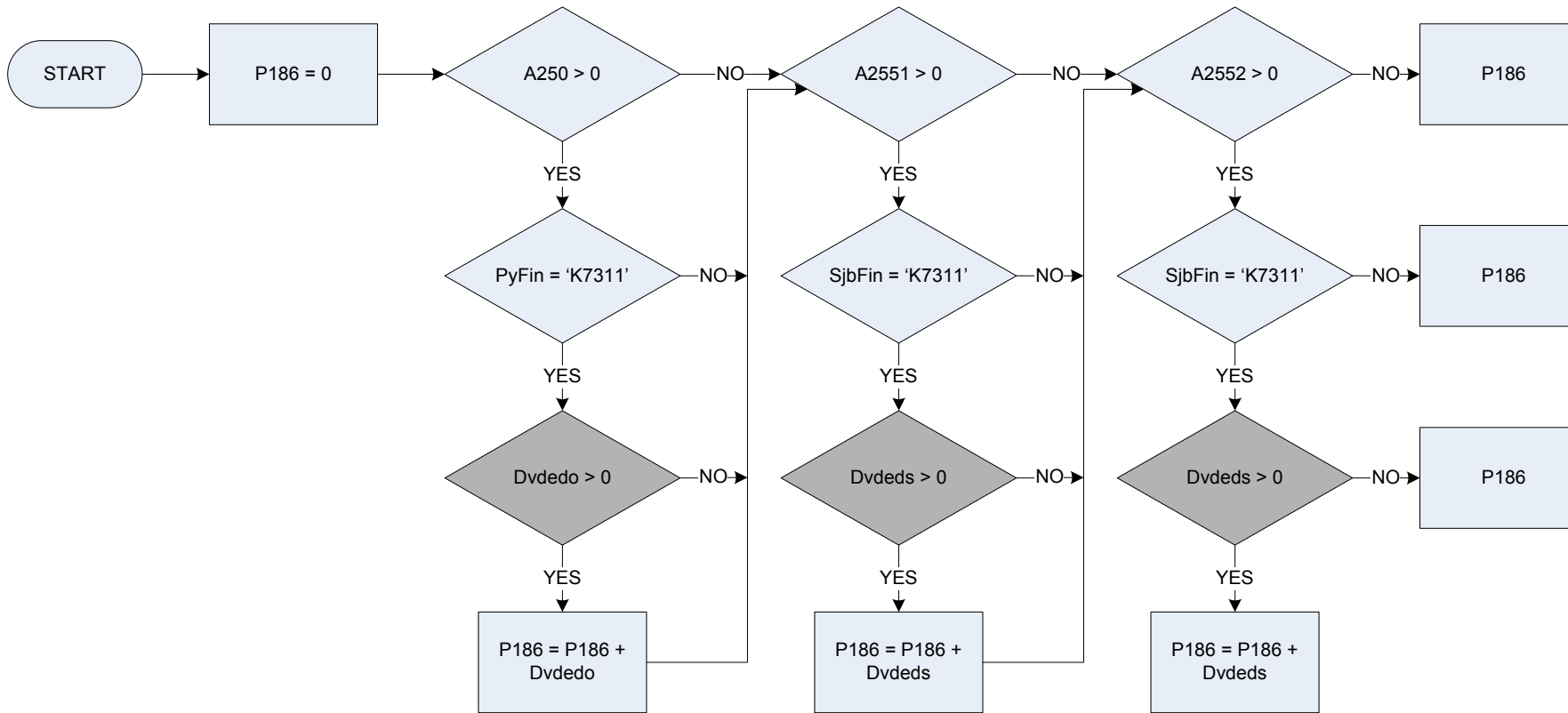
SjbFin = C7113

Deduction from pay (subsidiary job): Other payments for services e.g. photocopying

SjbFin = C7115

Deduction from pay (subsidiary job): Other professional fees, including court fines

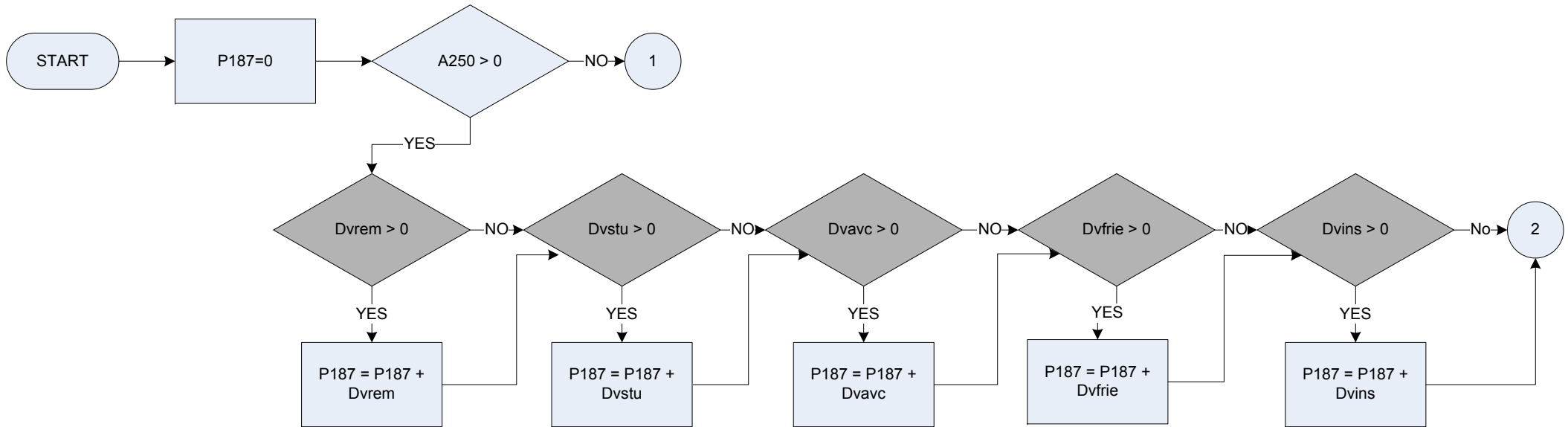
## P186 – Cash gifts not allocated elsewhere



### KEY

- A250** Main job – last pay was received in specified time period  
 0 Not recorded  
 1 Received
- A2551** First subsidiary job – employee: last pay was received in specified time period  
 0 Not recorded  
 1 Received
- A2552** Second subsidiary job – employee: last pay was received in specified time period  
 0 Not recorded  
 1 Received
- Dvdedo** Derived from PyDAmt to give a weekly amount – (PyDAmt – Pay: How much was deducted for [other deduction]?)
- Dvdeds** Derived from SJbDAmt to give a weekly amount – (SJbDAmt – Subsidiary Job: How much was deducted for this deduction?)
- PyFin = K7311** Deduction from pay (main job): Cash gifts not allocated elsewhere
- SjbFin = K7311** Deduction from pay (subsidiary job): Cash gifts not allocated elsewhere

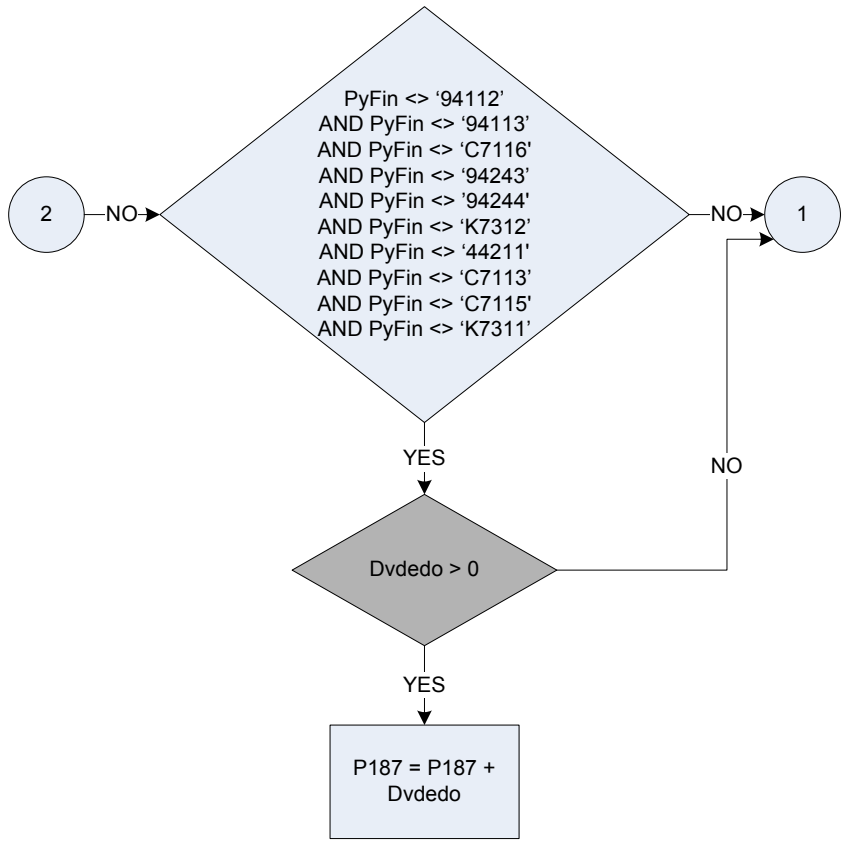
## P187 – All other codes as deductions from pay



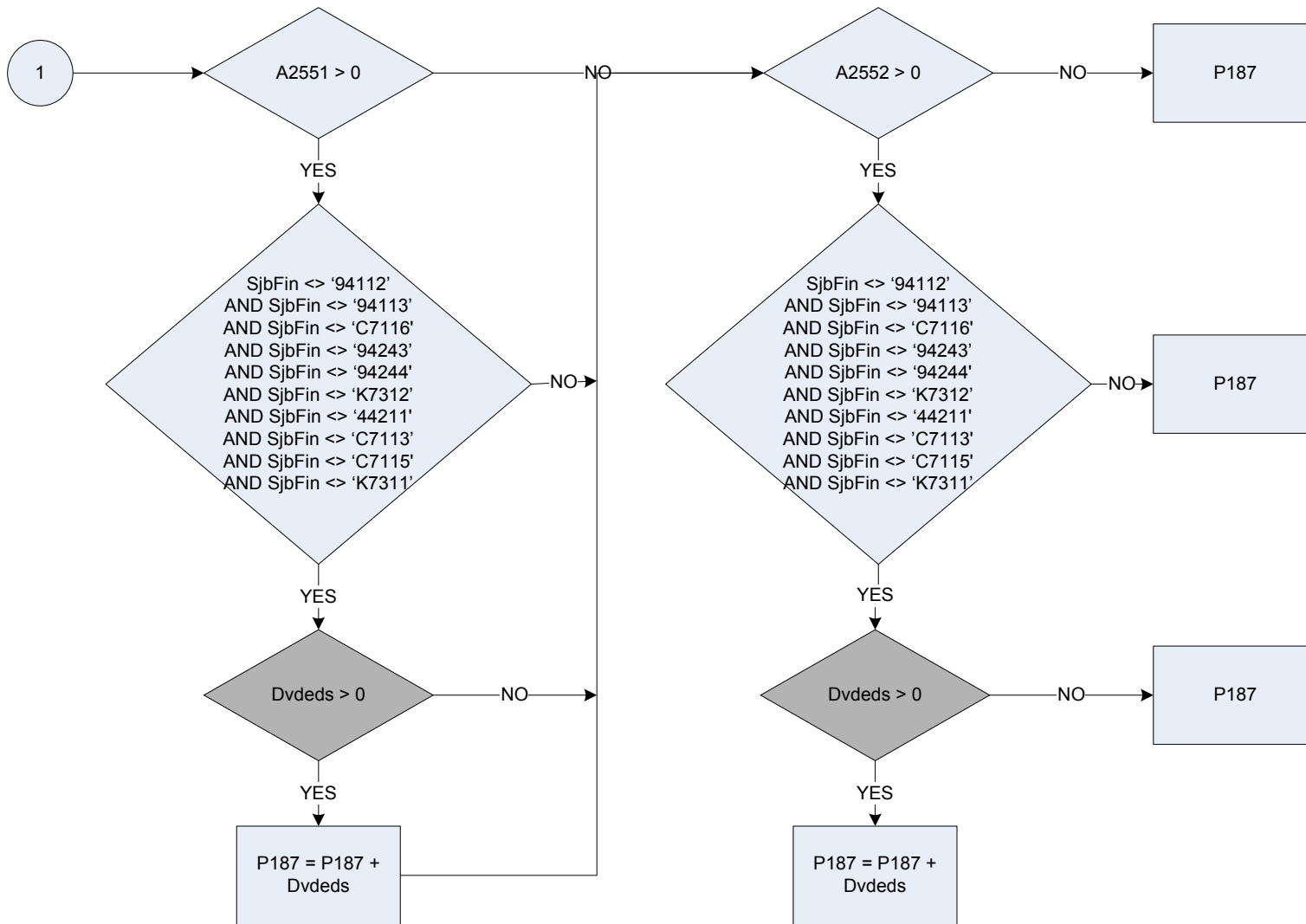
### KEY

<b>A250</b>	Main job – last pay was received in specified time period 0 Not recorded 1 Received
<b>A2551</b>	First subsidiary job – employee: last pay was received in specified time period 0 Not recorded 1 Received
<b>A2552</b>	Second subsidiary job – employee: last pay was received in specified time period 0 Not recorded 1 Received
<b>Dvavc</b>	Derived from AVCAmt to give a weekly amount - (AVCAmt - Pay: How much was deducted for AVC's?) [0.01..997.00]
<b>Dvfrie</b>	Derived from FrieAt to give a weekly amount - (FrieAt - Pay: How much was deducted for Friendly societies?) [0.01..997.00]
<b>Dvins</b>	Derived from InsAmt to give a weekly amount - (InsAmt - Pay: How much was deducted for private medical insurance?) [0.01..997.00]
<b>Dvrem</b>	Derived from RemAmt to give a weekly amount - (RemAmt - Pay: How much was deducted for repaying your employer?) [0.01..997.00]
<b>Dvstu</b>	Derived from StuAmt to give a weekly amount - (StuAmt - Pay: How much was deducted for your student loan?) [0.01..997.00]
<b>PyFin</b>	Deduction from pay (main job): (see below list of deductions)
<b>SjbFin</b>	Deduction from pay (subsidiary job): (see below list of deductions)
<b>44211</b>	Deduction: Refuse collection, including skip hire
<b>94112</b>	Deduction: Participant sports (excluding subscriptions)
<b>94113</b>	Deduction: Subscriptions to sports and social clubs
<b>94243</b>	Deduction: Subscriptions for leisure activities
<b>94244</b>	Deduction: Other subscriptions
<b>C7113</b>	Deduction: Other payments for services e.g. photocopying
<b>C7115</b>	Deduction: Other professional fees including court fines
<b>C7116</b>	Deduction: Trade Union and Professional organisations
<b>K7311</b>	Deduction: Cash gifts not allocated elsewhere
<b>K7312</b>	Deduction: Charitable gifts

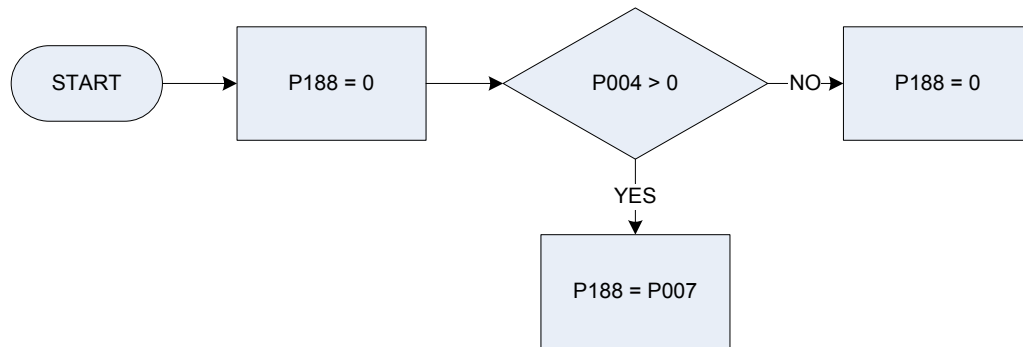
**P187 – All other codes as deductions from pay**



**P187 – All other codes as deductions from pay**



## P188 – Normal gross wage, salary - employees

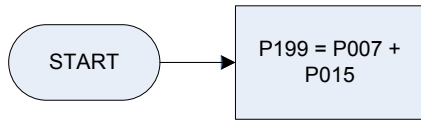


### KEY

**P004** Gross wage, salary last week, month (main)  
**P007** Normal gross wage, salary



## P199 – Normal gross weekly earnings - employees

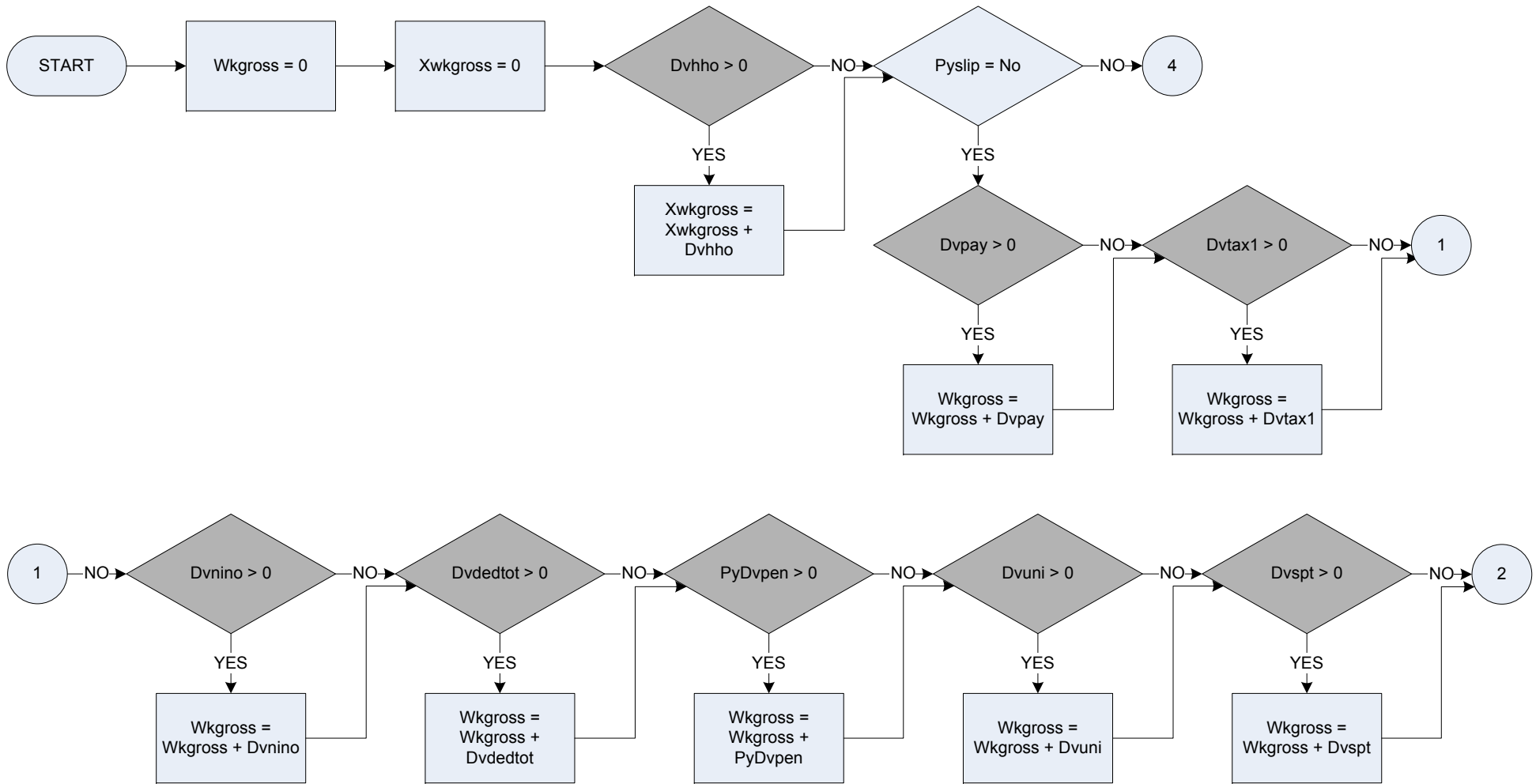


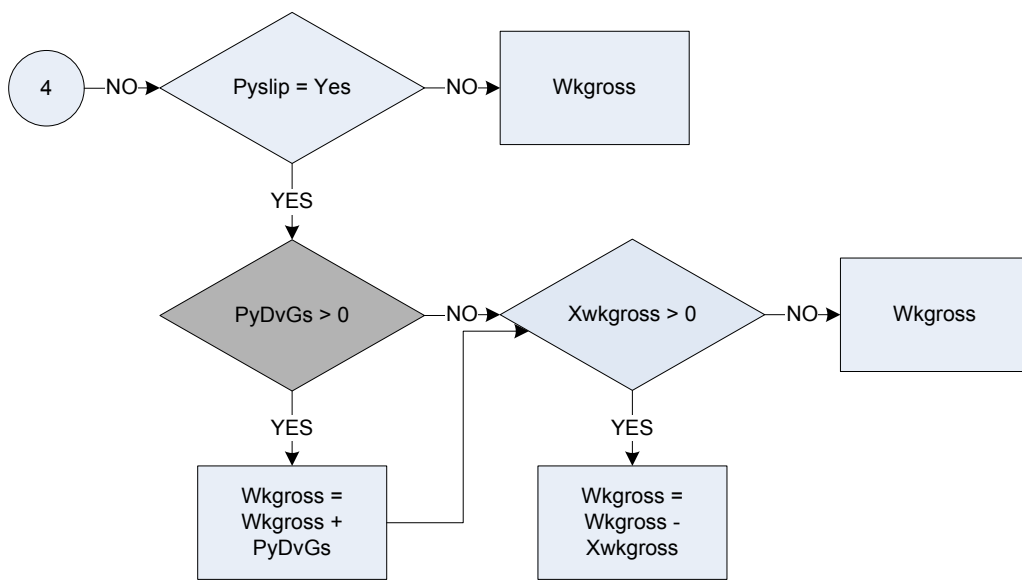
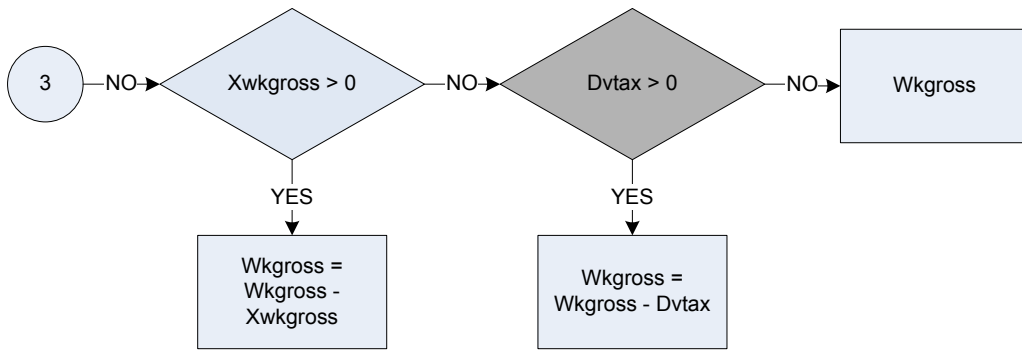
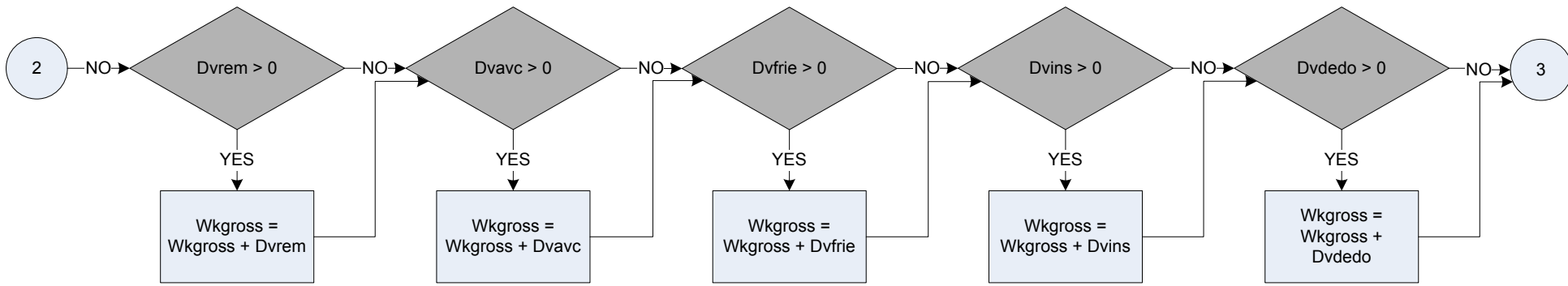
### KEY

**P007**  
**P015**

Normal gross wage, salary  
Gross wage, salary last time paid (subsd)

# Wkgross – Gross pay - amount





**KEY**

<b>Dvavc</b>	Derived from AVCamt to give a weekly amount – (AVCAmt – Pay: How much was deducted for AVCs?)
<b>Dvdedo</b>	Derived from PyDAmt to give a weekly amount – (PyDAmt – Pay: How much was deducted for [other deduction]?)
<b>Dvdedtot</b>	Derived from DedTot to give a weekly amount – (DedTot – Pay: How much was deducted for charities?)
<b>Dvfrie</b>	Derived from FrieAt to give a weekly amount – (FrieAt – Pay: How much was deducted for Friendly societies?)
<b>Dvhho</b>	Derived from HHOAmt - What was the amount of the refund?
<b>Dvins</b>	Derived from InsAmt to give a weekly amount – (InsAmt – Pay: How much was deducted for private medical insurance?)
<b>Dvpay</b>	Derived from PyAmt to give a weekly amount – (PyAmt – Pay: What was the respondent's last take home pay, (what will be their take home pay) including overtime, bonus, commission, tips or other payments?)
<b>Dvrem</b>	Derived from RemAmt to give a weekly amount – (RemAmt – Pay: How much was deducted for repaying your employer?)
<b>Dvspt</b>	Derived from SptDAmt to give a weekly amount – (SptDAmt – Pay: How much was deducted for sports clubs or specialist pastimes?)
<b>Dvtax</b>	Derived from TaxDAmt to give a weekly amount – (TaxDAmt – Pay: How much income tax was deducted last time?)
<b>Dvtax1</b>	Derived from PyTax to give a weekly amount – (PyTax – Pay: How much was deducted from the respondent's wage/salary for income tax under PAYE?)
<b>Dvnino</b>	Derived from PyNINO to give a weekly amount – (PyNINO – Pay: How much was deducted as a National Insurance Contribution?)
<b>Dvuni</b>	Derived from UnDAmt to give a weekly amount – (UnDAmt – Pay: How much was deducted for union fees?)
<b>PyDvGs</b>	Derived from PyGrs to give a weekly amount – (PyGrs – Pay: What was the gross wage/salary including any superannuation as shown on payslip?)
<b>PyDvpen</b>	Derived from PenDAmt to give a weekly amount – (PenDAmt – Pay: How much was deducted for superannuation?)
<b>Pyslip</b>	Did respondent consult payslip? <b>1</b> Yes <b>2</b> No
<b>Xwkgross</b>	Gross pay - amount

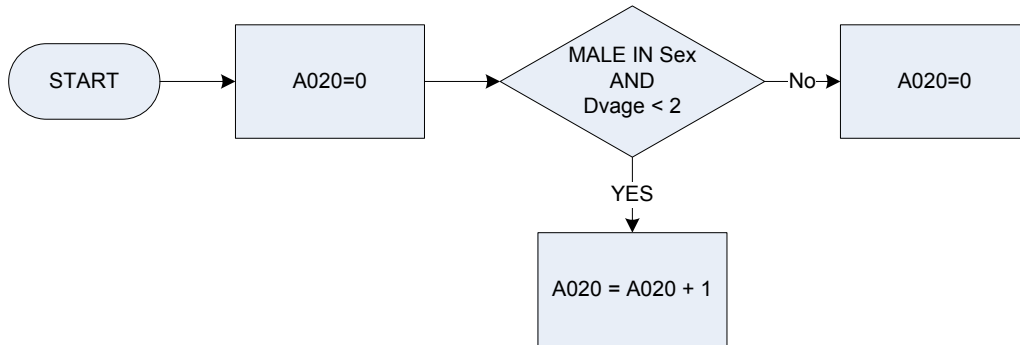
---

# Section Three:

## Flowcharts - Household level

---

## A020 – No of male children – age under 2

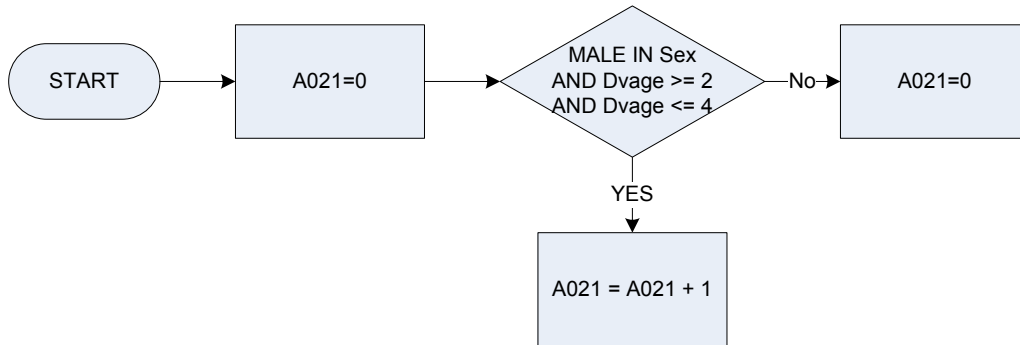


### KEY

**Dvage**  
**Sex**

Derived from Birth and Agelf - Age for whole sample  
Sex  
1            *Male*  
2            *Female*

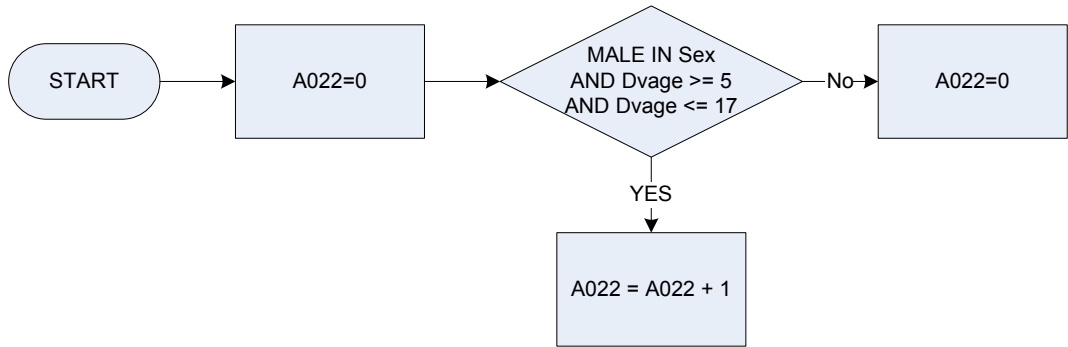
**A021 – No of male children – age 2 and under 5**



**KEY**

**Dvage** Derived from Birth and Agelf - Age for whole sample  
**Sex** Sex  
**1** Male  
**2** Female

**A022 – No of male children – age 5 but under 18**



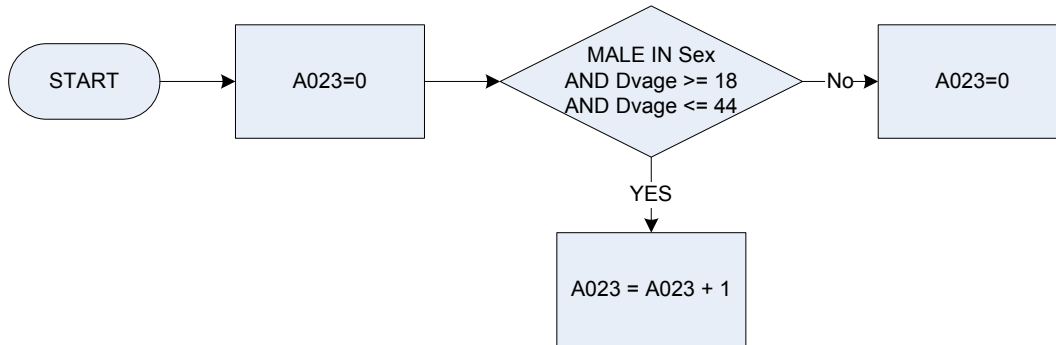
**KEY**

**Dvage**  
**Sex**

Derived from Birth and Agelf - Age for whole sample  
Sex  
1 Male  
2 Female



**A023 – No of male adults – age 18 and under 45**



**KEY**

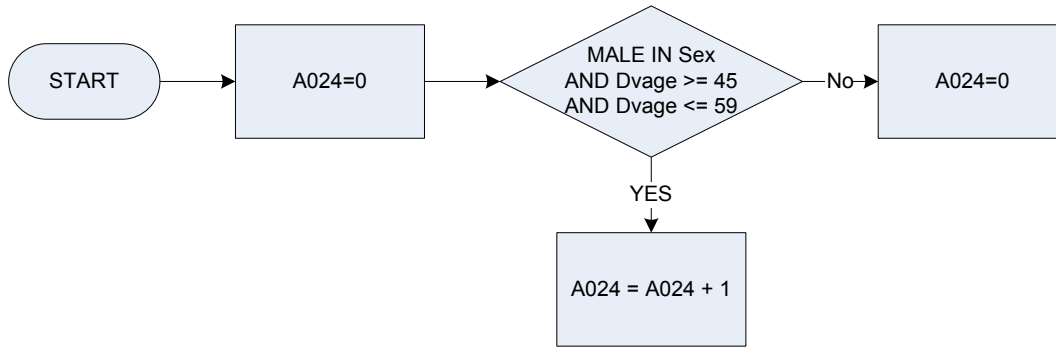
**Dvage**  
**Sex**

Derived from Birth and Agelf - Age for whole sample

Sex

- 1 Male
- 2 Female

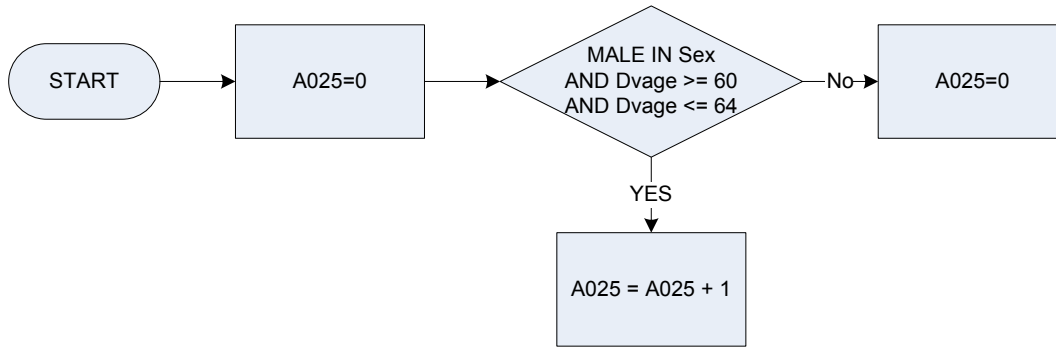
**A024 – No of male adults – age 45 but under 60**



**KEY**

**Dvage** Derived from Birth and Agelf - Age for whole sample  
**Sex** Sex  
1 Male  
2 Female

**A025 – No of male adults – age 60 but under 65**

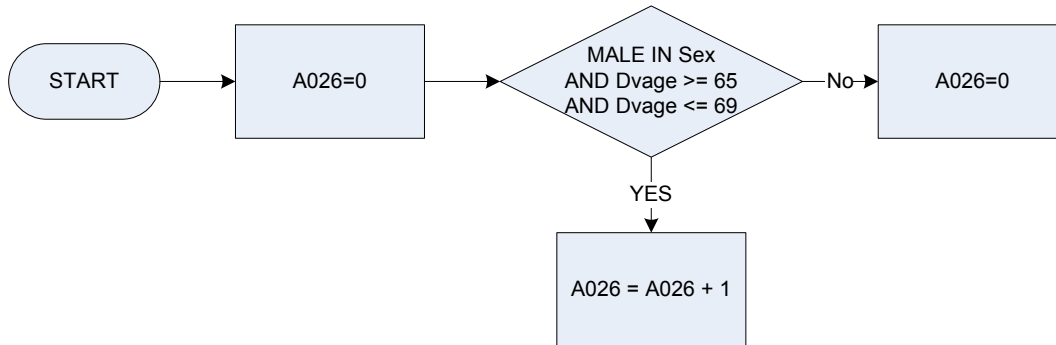


**KEY**

**Dvage**  
**Sex**

Derived from Birth and Agelf - Age for whole sample  
Sex  
1            *Male*  
2            *Female*

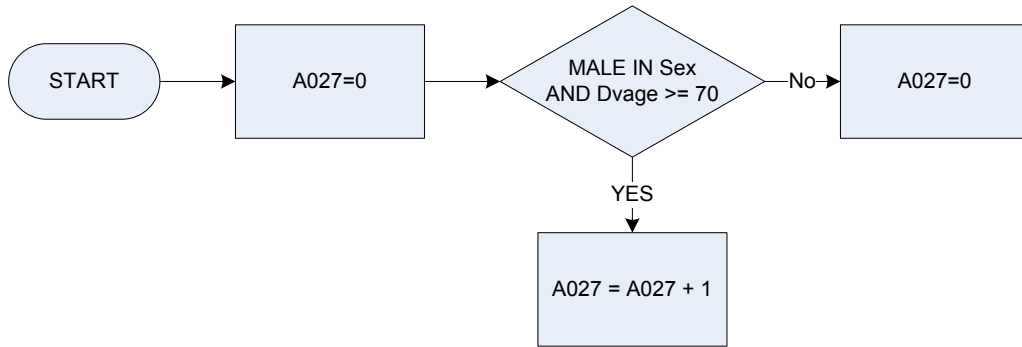
**A026 – No of male adults – age 65 but under 70**



**KEY**

**Dvage** Derived from Birth and Agelf - Age for whole sample  
**Sex** Sex  
**1** Male  
**2** Female

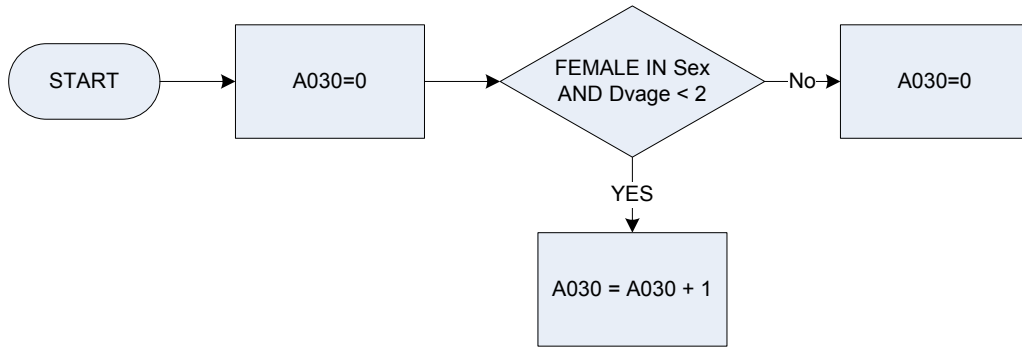
**A027 – No of male adults – age 70 and over**



**KEY**

**Dvage** Derived from Birth and Agelf - Age for whole sample  
**Sex** Sex  
1 Male  
2 Female

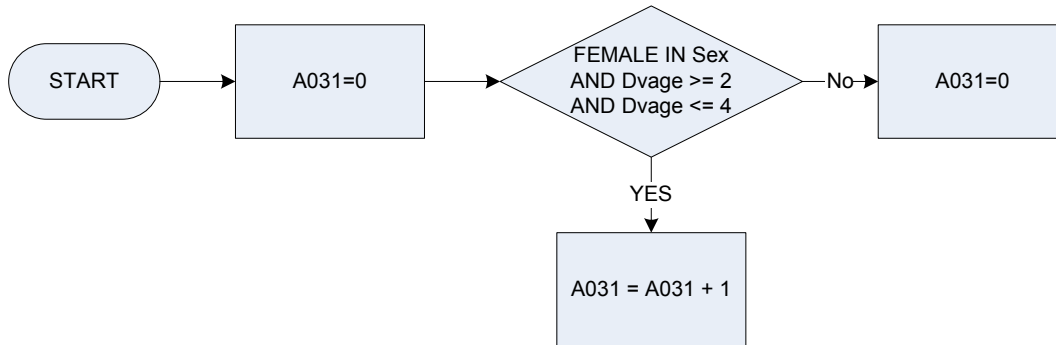
**A030 – No of female children – age under 2**



**KEY**

**Dvage** Derived from Birth and Agelf - Age for whole sample  
**Sex** Sex  
**1** Male  
**2** Female

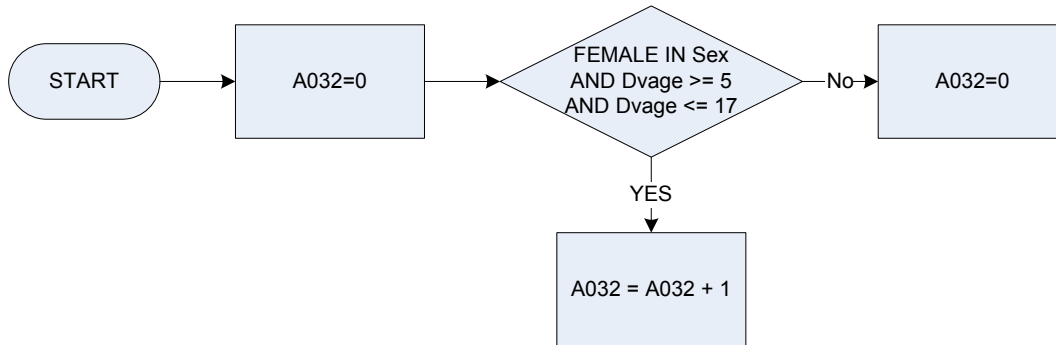
**A031 – No of female children – age 2 and under 5**



**KEY**

**Dvage** Derived from Birth and Agelf - Age for whole sample  
**Sex** Sex  
1 Male  
2 Female

**A032 – No of female children – age 5 but under 18**



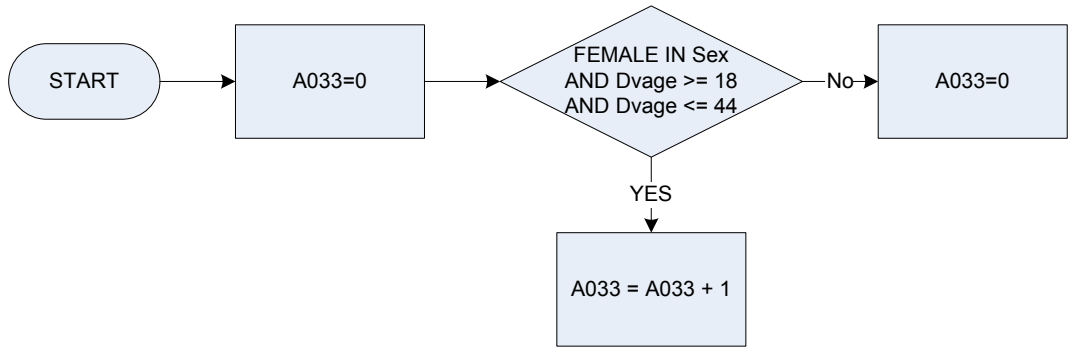
**KEY**

**Dvage**  
**Sex**

Derived from Birth and Agelf - Age for whole sample  
Sex  
1 Male  
2 Female



**A033 – No of female adults – age 18 and under 45**

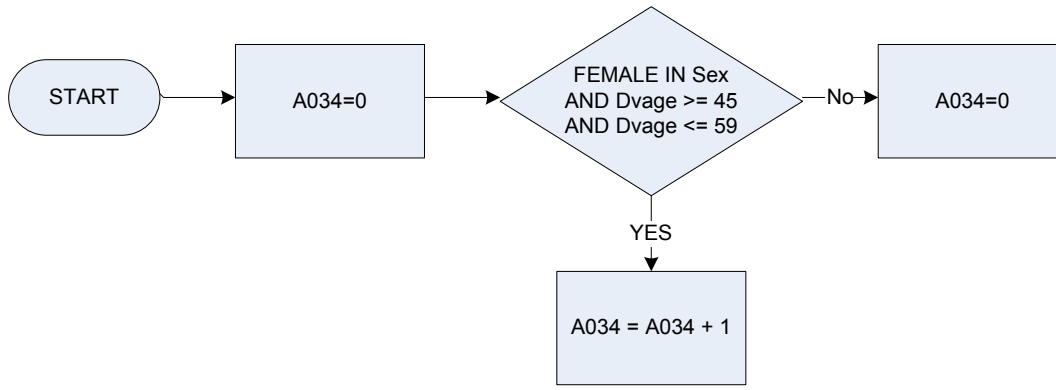


**KEY**

**Dvage**  
**Sex**

Derived from Birth and Agelf - Age for whole sample  
Sex  
1 Male  
2 Female

**A034 – No of female adults – age 45 but under 60**

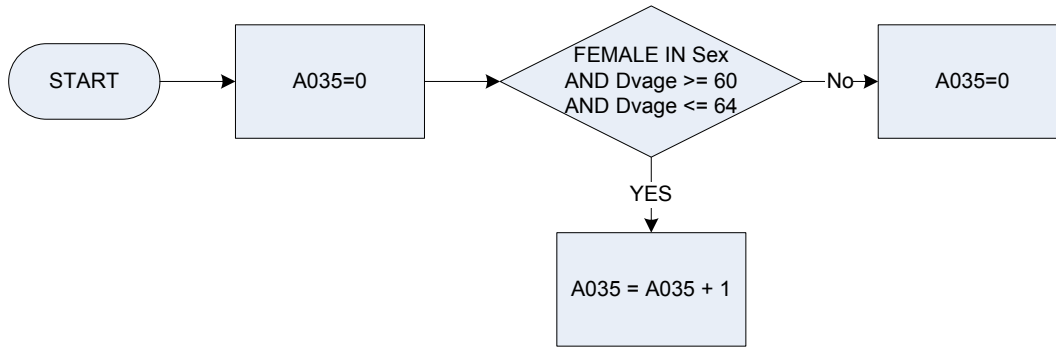


**KEY**

**Dvage**  
**Sex**

Derived from Birth and Agelf - Age for whole sample  
Sex  
1            *Male*  
2            *Female*

**A035 – No of female adults – age 60 but under 65**

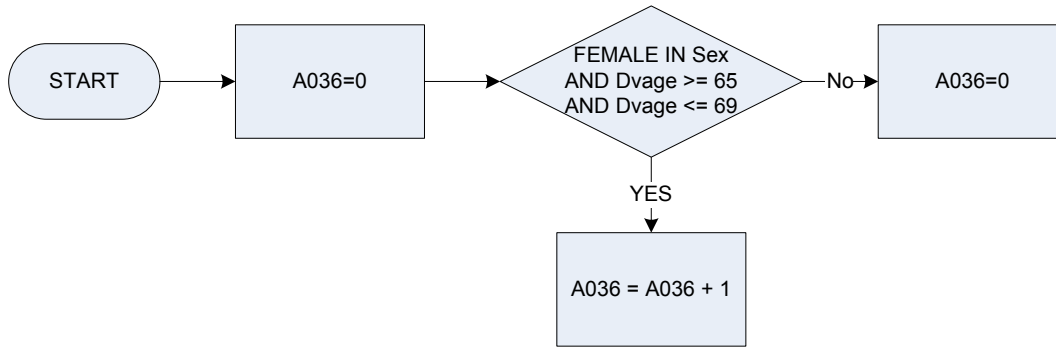


**KEY**

**Dvage**  
**Sex**

Derived from Birth and Agelf - Age for whole sample  
Sex  
1 Male  
2 Female

**A036 – No of female adults – age 65 but under 70**

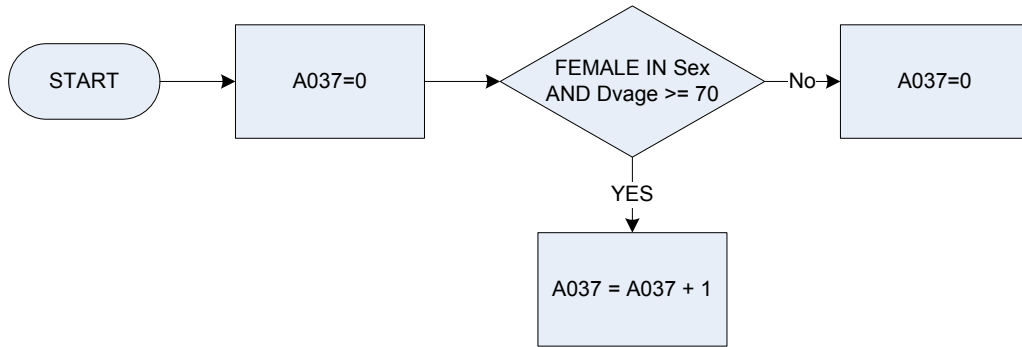


**KEY**

**Dvage**  
**Sex**

Derived from Birth and Agelf - Age for whole sample  
Sex  
1 Male  
2 Female

**A037 – No of female adults – age 70 and over**

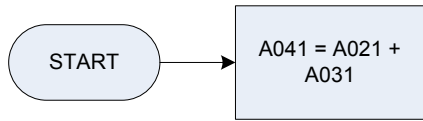


**KEY**

**Dvage**  
**Sex**

Derived from Birth and Agelf - Age for whole sample  
Sex  
1 Male  
2 Female

## A041 – Number of children age 2 and under 5

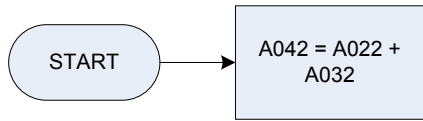


### KEY

**A021**  
**A031**

No of male children - age 2 and under 5  
No of female children - age 2 and under 5

## A042 – Number of children age 5 and under 18

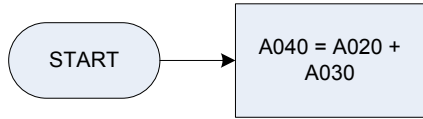


### KEY

**A022**  
**A032**

No of male children – age 5 but under 18  
No of female children – age 5 but under 18

## A040 – Number of children age under 2



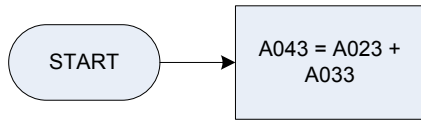
### KEY

A020  
A030

No of male children – age under 2  
No of female children – age under 2



## A043 – Number of adults – age 18 and under 45

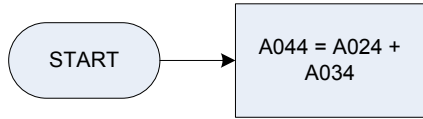


### KEY

**A023**  
**A033**

No of male adults – age 18 and under 45  
No of female adults – age 18 and under 45

**A044 – Number of adults – age 45 and under 60**

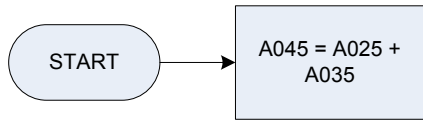


**KEY**

**A024**  
**A034**

No of male adults – age 45 and under 60  
No of female adults – age 45 and under 60

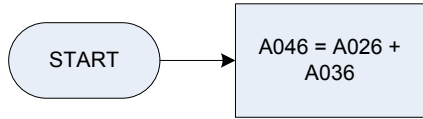
## A045 – Number of adults – age 60 and under 65



**KEY**  
**A025**  
**A035**

No of male adults – age 60 and under 65  
No of female adults – age 60 and under 65

**A046 – No of adults – age 65 and under 70**

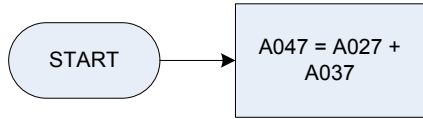


**KEY**

**A026**  
**A036**

No of male adults – age 65 and under 70  
No of female adults – age 65 and under 70

**A047 – Number of adults – age 70 and over**

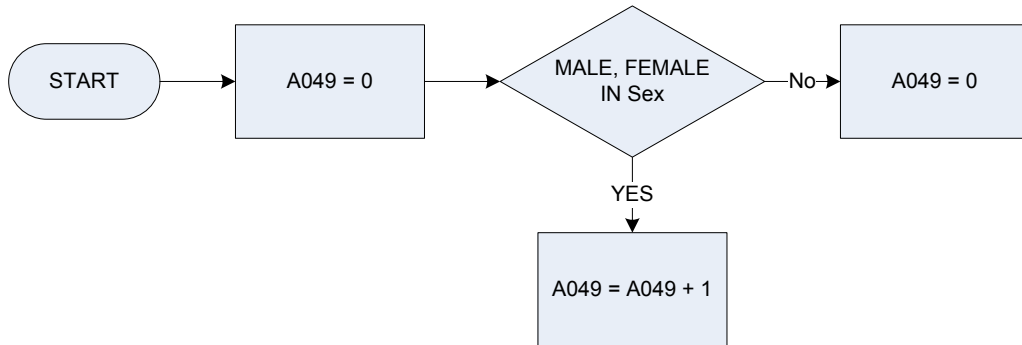


**KEY**

**A027**  
**A037**

No of male adults – age 70 and over  
No of female adults – age 70 and over

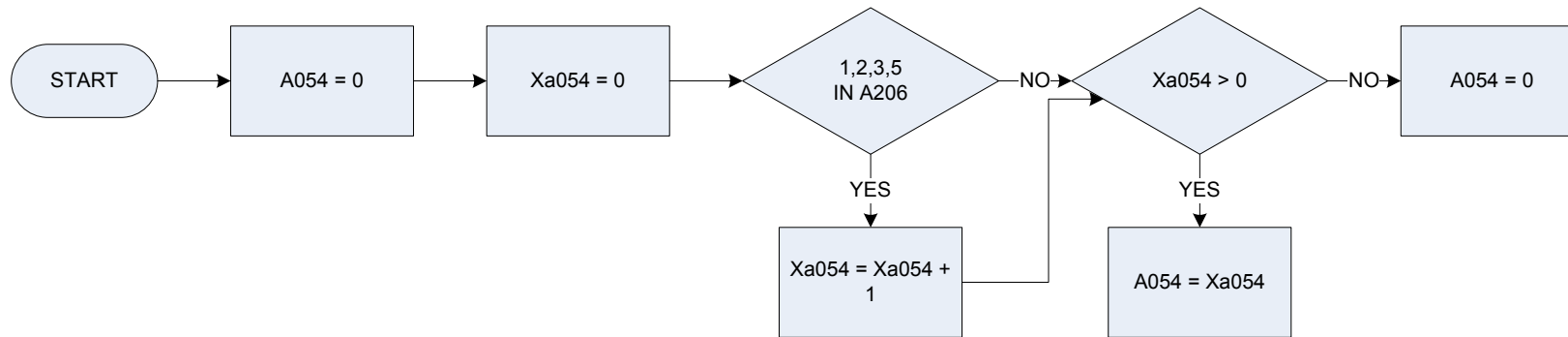
## A049 – Number of persons in household



### KEY

<b>Sex</b>	Sex
	1 <i>Male</i>
	2 <i>Female</i>

## A054 - Number of workers in household



### KEY

#### A206

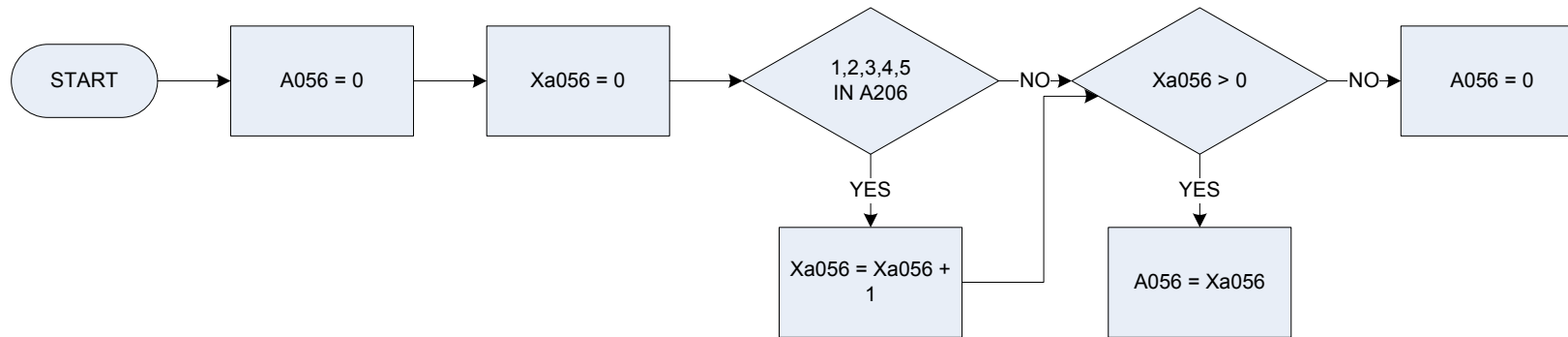
Economic position

- 0 Not recorded
- 1 Self-employed
- 2 Full-time employee
- 3 Part-time employee
- 4 Unemployed
- 5 Work related Government Training Programmes
- 6 Retired/unoccupied and of minimum NI Pension age
- 7 Retired/Unoccupied and under minimum NI Pension age

#### Xa054

Temporary variable used in calculations - Calculates number of workers in household (i.e. Self-employed, Full/Part-time employee or Government Training Programmes)

## A056 - Number of persons economically active



### KEY

#### A206

Economic position

0 Not recorded

1 Self-employed

2 Full-time employee

3 Part-time employee

4 Unemployed

5 Work related Government Training Programmes

6 Retired/unoccupied and of minimum NI Pension age

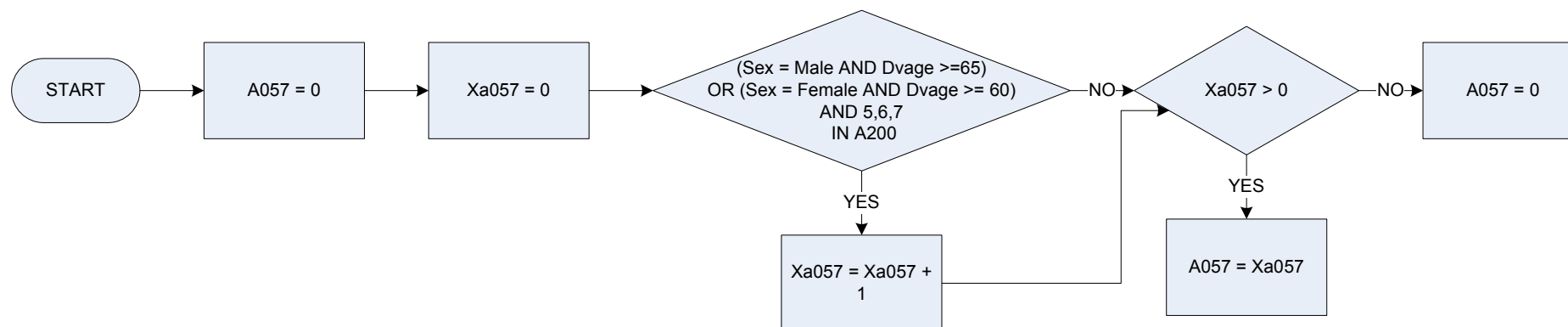
7 Retired/Unoccupied and under minimum NI Pension age

#### Xa056

Temporary variable used in calculations - Calculates number of persons economically active in household (i.e. Self-employed, Full/Part time employed, Unemployed or Government Training Programme)



## A057 - Men 65+, women 60+ economically active



### KEY

#### A200

Employment status

- 0 Not recorded
- 1 Employee
- 2 Self-employed or employer
- 3 Out of employment, seeking work within last 4 weeks & available to start a job
- 4 Out of employment, waiting to start a job already obtained
- 5 Sick or injured
- 6 Retired including Job Release Scheme
- 7 Unoccupied

#### Dvage

Derived from Birth and Agelf - Age for whole sample

#### Sex

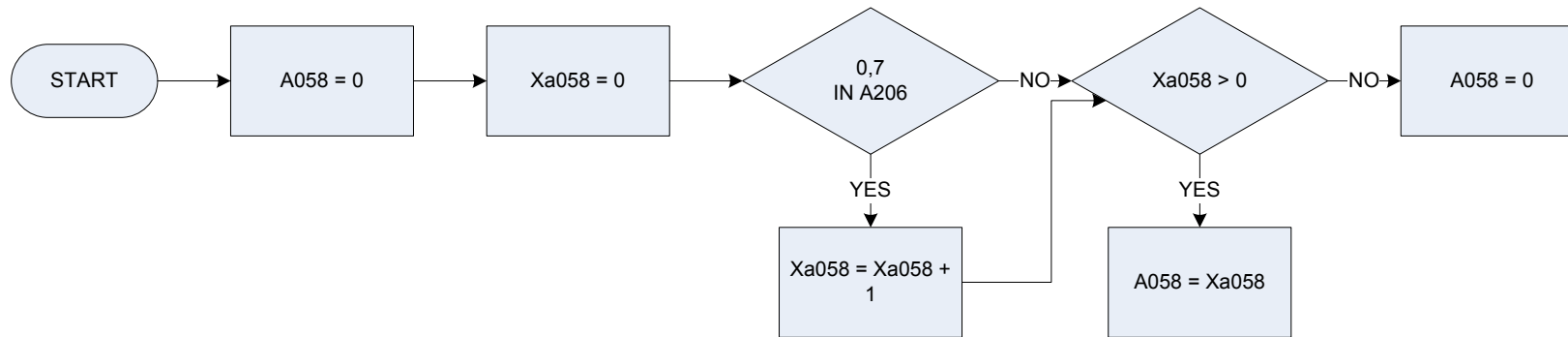
Sex

- 1 Male
- 2 Female

#### Xa057

Temporary variable used in calculations – Calculates number of Men 65+ and women 60+ in household that are economically active (i.e. Sick or injured, retired or unoccupied)

## A058 - Others - not economically active



### KEY

#### A206

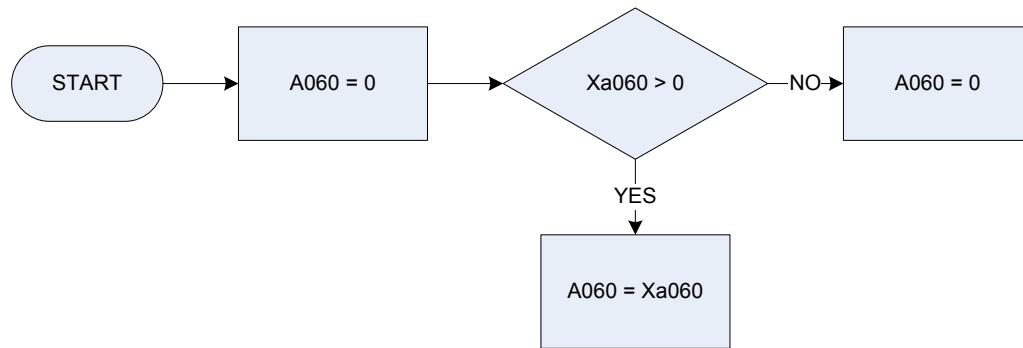
Economic position

- 0 Not recorded
- 1 Self-employed
- 2 Full-time employee
- 3 Part-time employee
- 4 Unemployed
- 5 Work related Government Training Programmes
- 6 Retired/unoccupied and of minimum NI Pension age
- 7 Retired/Unoccupied and under minimum NI Pension age

#### Xa058

Temporary variable used in calculations –Calculates number of household members not economically active (i.e. Economic position not recorded or retired/unoccupied and under minimum NI Pension age)

## A060 - Gross normal income of Household Reference Person (HRP) by range



### KEY

#### A060

Gross normal income of Household Reference Person

**0** Not recorded  
**1** 0 - 49.999 pw  
**2** 50 - 59.999 pw  
**3** 60 - 69.999 pw  
**4** 70 - 79.999 pw  
**5** 80 - 89.999 pw  
**6** 90 - 99.999 pw  
**7** 100 - 109.999 pw  
**8** 110 - 119.999 pw  
**9** 120 - 129.999 pw  
**10** 130 - 139.999 pw  
**11** 140 - 149.999 pw  
**12** 150 - 159.999 pw  
**13** 160 - 169.999 pw  
**14** 170 - 179.999 pw  
**15** 180 - 199.999 pw  
**16** 200 - 219.999 pw

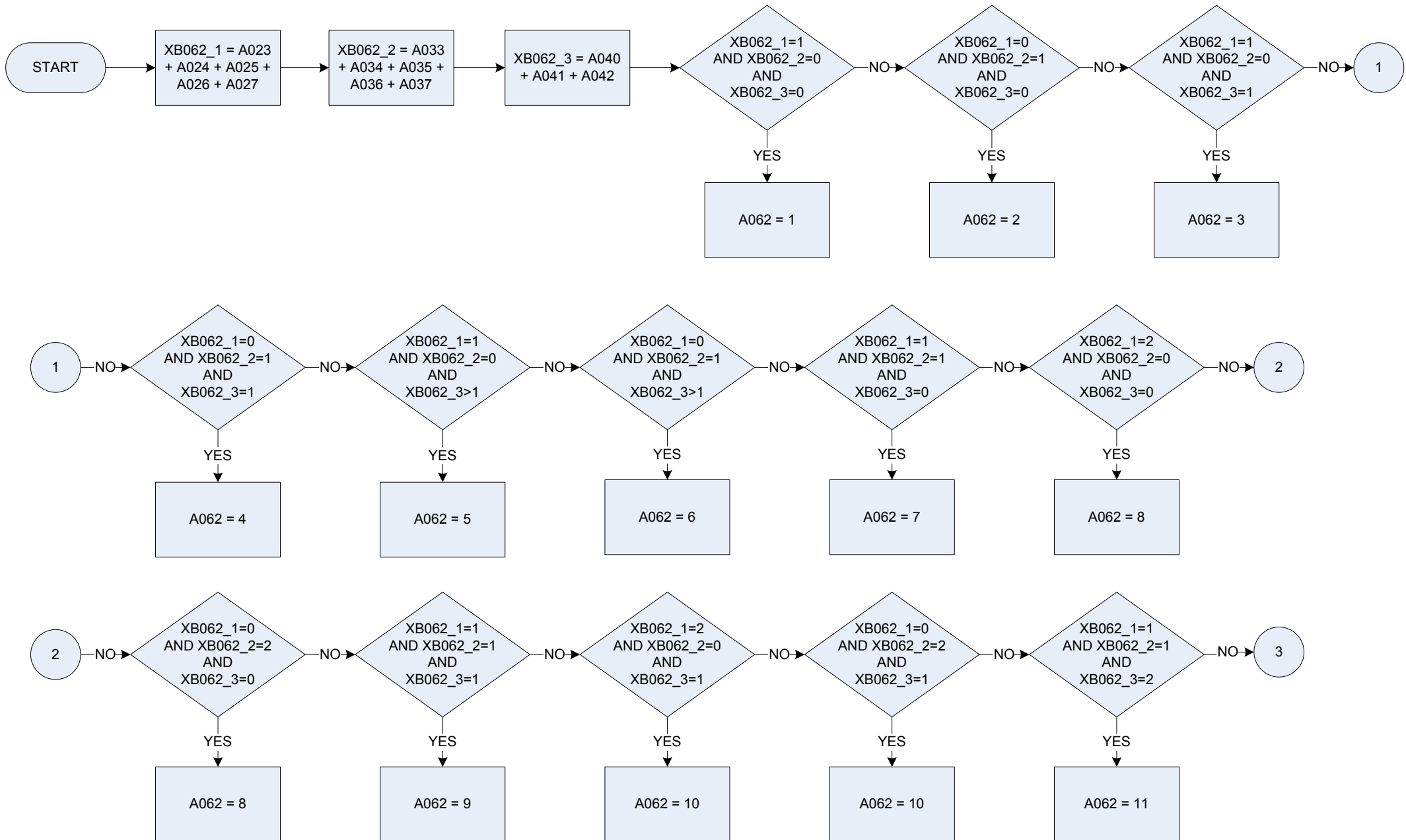
**17** 220 - 239.999 pw  
**18** 240 - 259.999 pw  
**19** 260 - 279.999 pw  
**20** 280 - 299.999 pw  
**21** 300 - 319.999 pw  
**22** 320 - 339.999 pw  
**23** 340 - 359.999 pw  
**24** 360 - 379.999 pw  
**25** 380 - 399.999 pw  
**26** 400 - 424.999 pw  
**27** 425 - 449.999 pw  
**28** 450 - 474.999 pw  
**29** 475 - 499.999 pw  
**30** 500 - 524.999 pw  
**31** 525 - 549.999 pw  
**32** 550 - 574.999 pw  
**33** 575 - 599.999 pw  
**34** 600 - 624.999 pw

**35** 625 - 649.999 pw  
**36** 650 - 674.999 pw  
**37** 675 - 699.999 pw  
**38** 700 - 724.999 pw  
**39** 725 - 749.999 pw  
**40** 750 - 774.999 pw  
**41** 775 - 799.999 pw  
**42** 800 - 824.999 pw  
**43** 825 - 849.999 pw  
**44** 850 - 874.999 pw  
**45** 875 - 899.999 pw  
**46** 900 - 924.999 pw  
**47** 925 - 949.999 pw  
**48** 950 - 974.999 pw  
**49** 975 - 999.999 pw  
**50** 1000 or more

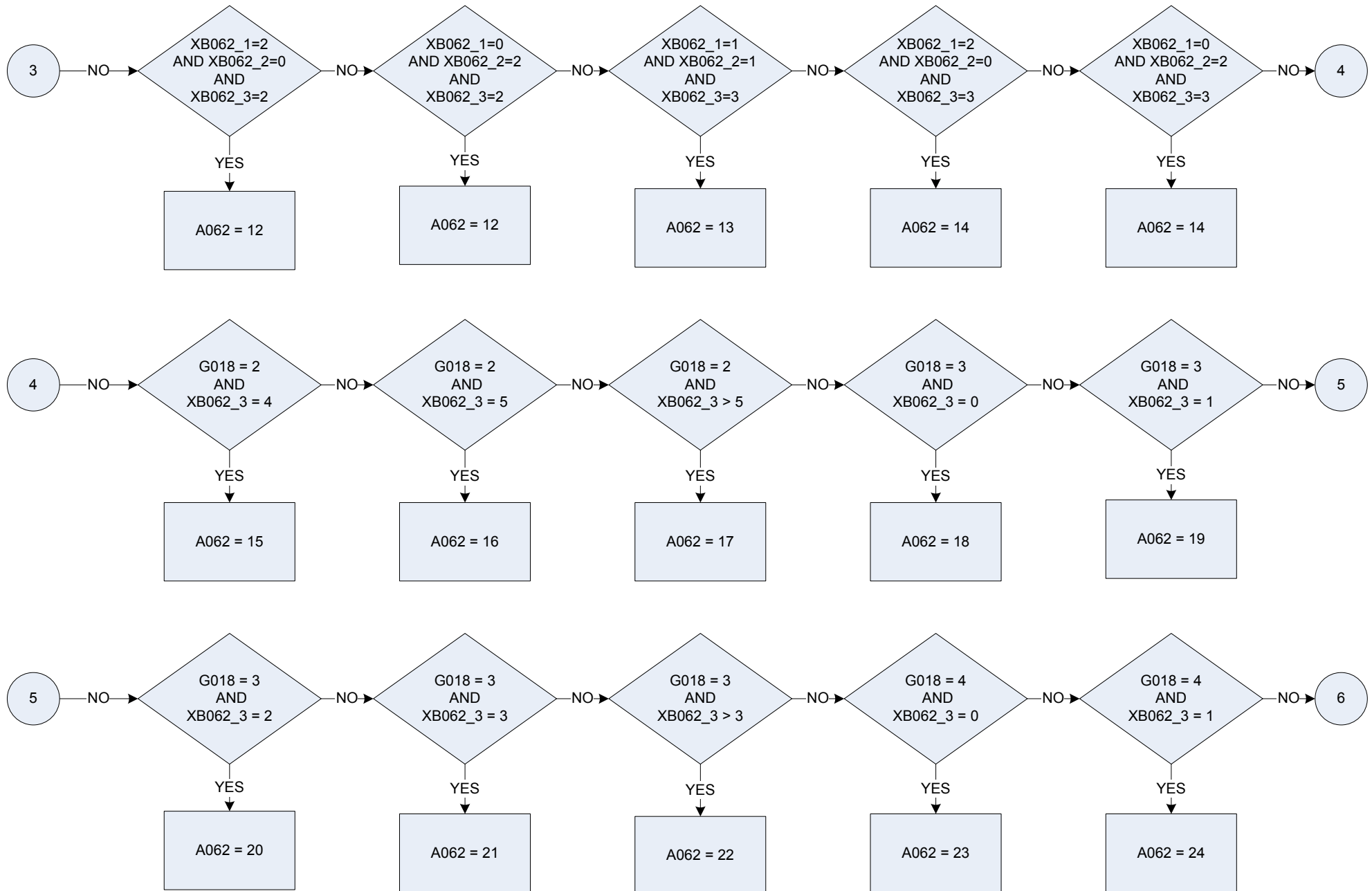
#### Xa060

Temporary variable used in calculations - Gross normal income of HRP by range

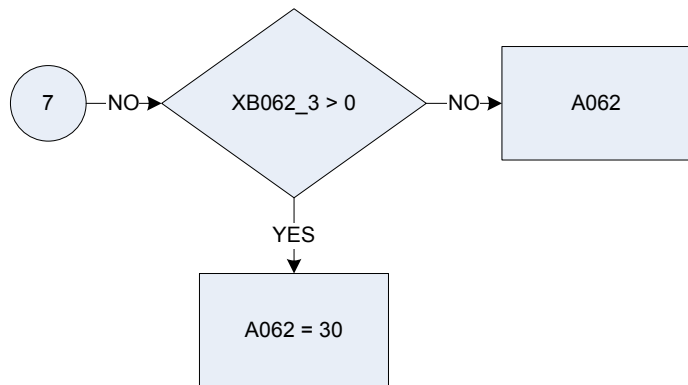
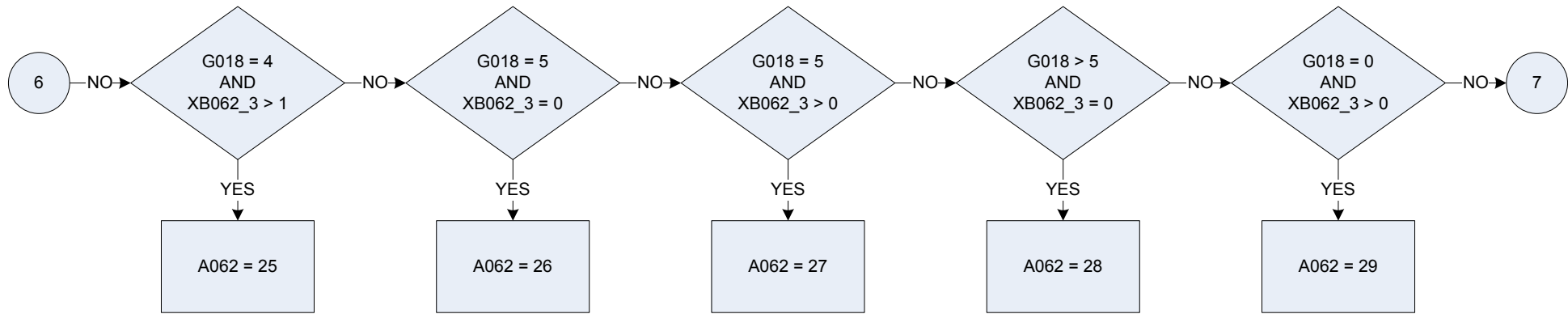
## A062 – Composition of household



## A062 – Composition of household



## A062 – Composition of household



### KEY

#### A062

#### Composition of Household

- 1 One man
- 2 One woman
- 3 One man; one child
- 4 One woman; one child
- 5 One man; 2+ children
- 6 One woman; 2+ children
- 7 One man and 1 woman
- 8 Two men or two women
- 9 1 man; 1 woman & 1 child
- 10 2 men or 2 women; 1 child
- 11 1 man; 1 woman; 2 children
- 12 2 men or 2 women; 2 children
- 13 1 man; 1 woman; 3 children
- 14 2 men or 2 women; 3 children
- 15 Two adults; 4 children
- 16 Two adults; 5 children
- 17 Two adults; 6+ children
- 18 Three adults
- 19 Three adults; 1 child
- 20 Three adults; 2 children
- 21 Three adults; 3 children
- 22 Three adults; 4+ children
- 23 Four adults
- 24 Four adults; 1 child
- 25 Four adults; 2+ children
- 26 Five adults
- 27 Five adults; 1+ children
- 28 Six or more adults
- 29 Children only
- 30 Other households with children

#### A023

Number of male adults - age 18 and under 45

#### A024

Number of male adults - age 45 but under 60

#### A025

Number of male adults - age 60 but under 65

#### A026

Number of male adults - age 65 but under 70

#### A027

Number of male adults - age 70 and over

#### A033

Number of female adults - age 18 and under 45

#### A034

Number of female adults - age 45 and under 60

#### A035

Number of female adults - age 60 but under 65

#### A036

Number of female adults - age 65 but under 70

#### A037

Number of female adults - age 70 and over

#### A040

Number of children age under 2

#### A041

Number of children age 2 and under 5

#### A042

Number of children age 5 and under 18

#### G018

Number of adults

#### XB062\_1

Temporary variable used in calculations - Number of male adults

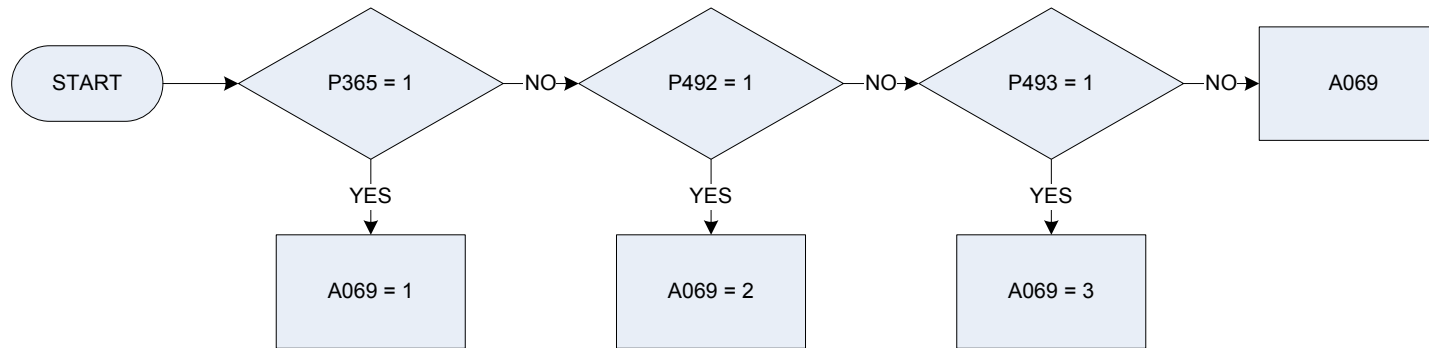
#### XB062\_2

Temporary variable used in calculations - Number of female adults

#### XB062\_3

Temporary variable used in calculations - Number of children

## A069 - Type of household



### KEY

**A069u**

Type of household

**1** Pensioner household

**2** Index Household

**3** Wealthy Household

**P365u**

Pensioner or non-pensioner household

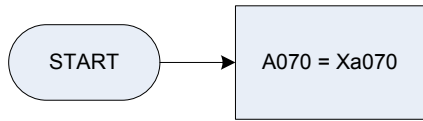
**P492u**

Index household

**P493u**

Wealthy household

## A070 – Age of oldest person in household

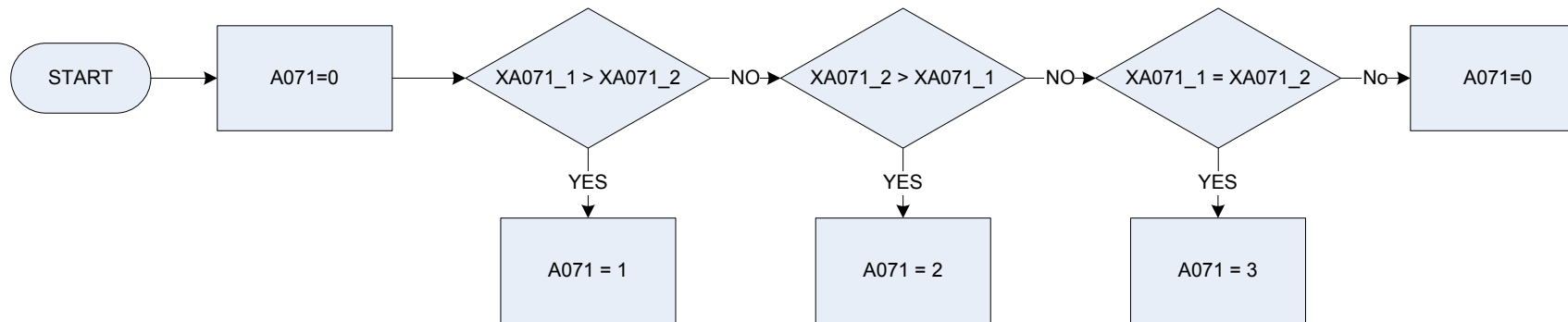


### KEY

**XA070** Temporary variable used in calculations - Age of oldest person in household



## A071 – Sex of oldest person in household

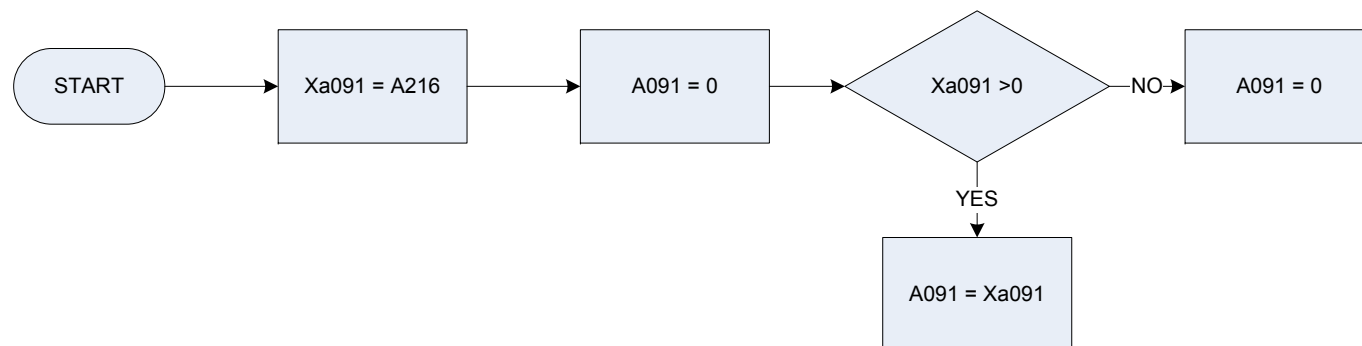


### KEY

**A071** Sex of oldest person in household  
**0** Not recorded  
**1** Highest age - all male  
**2** Highest age - all female  
**3** Highest age - mixed sex

**XA071** Temporary variable used in calculations - Sex of oldest person in household

## A091 - Socio-economic group - household reference person



### KEY

**A216**  
**A091**

Socio-economic group

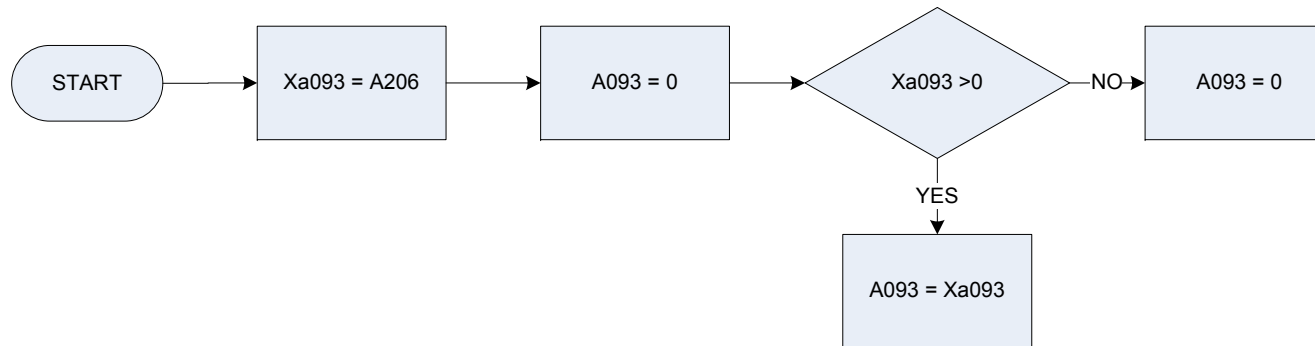
- 0 Not recorded
- 1 Employers in large organisations
- 2 Higher managerial
- 3 Higher professional (traditional) – emp
- 4 Higher professional (new) – employees
- 5 Higher professional (traditional) – sel
- 6 Higher professional (new) - self-employ
- 7 Lower professional & higher technical (t
- 8 Lower professional & higher technical (n
- 9 Lower professional & higher technical (t
- 10 Lower professional & higher technical (n
- 11 Lower managerial
- 12 Higher supervisory
- 13 Intermediate clerical and administrative
- 14 Intermediate sales and service
- 15 Intermediate technical and auxiliary
- 16 Intermediate engineering
- 17 Employers (small organisations, non-prof
- 18 Employers (small - agricultural)
- 19 Own account workers (non-professional)
- 20 Own account workers (agriculture)

- 21 Lower supervisory
- 22 Lower technical craft
- 23 Lower technical process operative
- 24 Semi-routine sales
- 25 Semi-routine service
- 26 Semi-routine technical
- 27 Semi-routine operative
- 28 Semi-routine agricultural
- 29 Semi-routine clerical
- 30 Semi-routine childcare
- 31 Routine sales and service
- 32 Routine production
- 33 Routine technical
- 34 Routine operative
- 35 Routine agricultural
- 36 Never worked
- 37 Long-term unemployed
- 38 Full-time students
- 39 Occupations not stated
- 40 Not classifiable for other reasons

**Xa091**

Temporary variable used in calculations: Socio-economic group of household reference person

## A093 - Economic position of household reference person



### KEY

#### A206

Economic position of Household Reference Person (HRP)

- 0 Not recorded
- 1 Self-employed
- 2 Full time employee
- 3 Part time employee
- 4 Unemployed
- 5 Work related government train programme
- 6 Retired unoc over minimum NI age
- 7 Unoc - under minimum NI age

#### Xa093

Temporary variable used in calculations - Identifies the HRP within the household

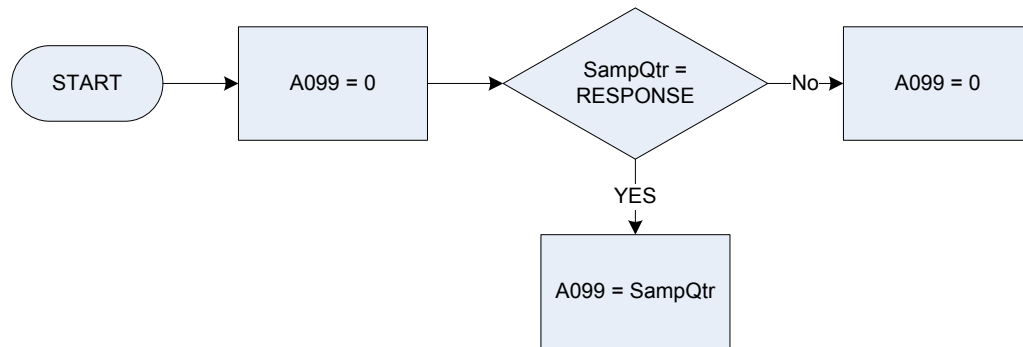
**A094 - NS - SEC 8 Class of household reference person**

Coded only if A003 = Yes; respondent is HRP

Value for A094 derived from A216, as outlined in table.

A094		A216	
0	Not recorded	0	Not recorded
1	Large Employers & Higher Managerial	1	Employers in large organisations
		2	Higher managerial
2	Higher Professionals	3	Higher professional (traditional ) - employees
		4	Higher professional (new ) - employees
		5	Higher professional (traditional ) - self-employed
		6	Higher professional (new ) - self-employed
3	Low er Managerial & Professionals	7	Low er professional & higher technical (traditional) - employees
		8	Low er professional & higher technical (new ) - employees
		9	Low er professional & higher technical (traditional) - self-employed
		10	Low er professional & higher technical (new ) - self-employed
		11	Low er managerial
		12	Higher supervisory
4	Intermediate	13	Intermediate clerical and administrative
		14	Intermediate sales and service
		15	Intermediate technical and auxiliary
		16	Intermediate engineering
5	Small Employers and Ow n Account Workers	17	Employers (small organisations, non-professional)
		18	Employers (small - agricultural)
		19	Ow n account w orkers (non-professional)
		20	Ow n account w orkers (agriculture)
6	Low er Supervisory & Technical	21	Low er supervisory
		22	Low er technical craft
		23	Low er technical process operative
7	Semi-Routine	24	Semi-routine sales
		25	Semi-routine service
		26	Semi-routine technical
		27	Semi-routine operative
		28	Semi-routine agricultural
		29	Semi-routine clerical
		30	Semi-routine childcare
		31	Routine sales and service
8	Routine	32	Routine production
		33	Routine technical
		34	Routine operative
		35	Routine agricultural
		36	Never w orked
9	Never Worked and Long-Term Unemployed	37	Long-term unemployed
		38	Full-time students
10	Students	39	Occupations not stated
11	Occupation not stated	40	Not classifiable for other reasons
12	Not classifiable for other reasons		

## A099 – Quarter



### KEY

**A099**

Sample quarter

**1** *January to March*

**2** *April to June*

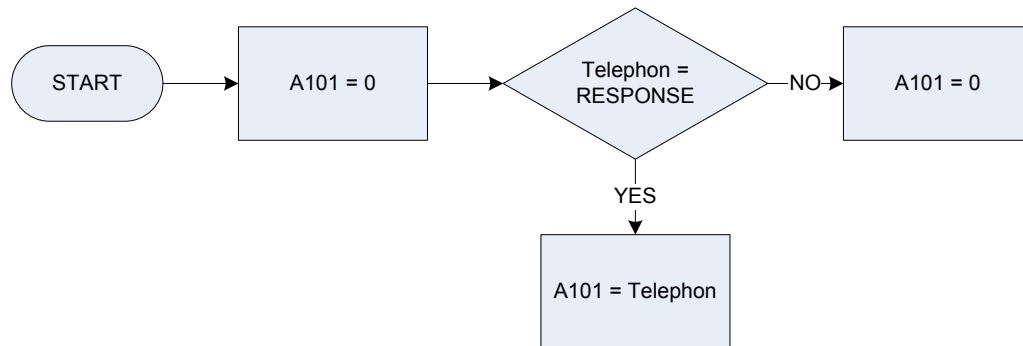
**3** *July to September*

**4** *October to December*

**SampQtr**

Sample quarter

## A101 – Telephone and/or mobile in household



### KEY

#### **A101**

Telephone and/or mobile in household

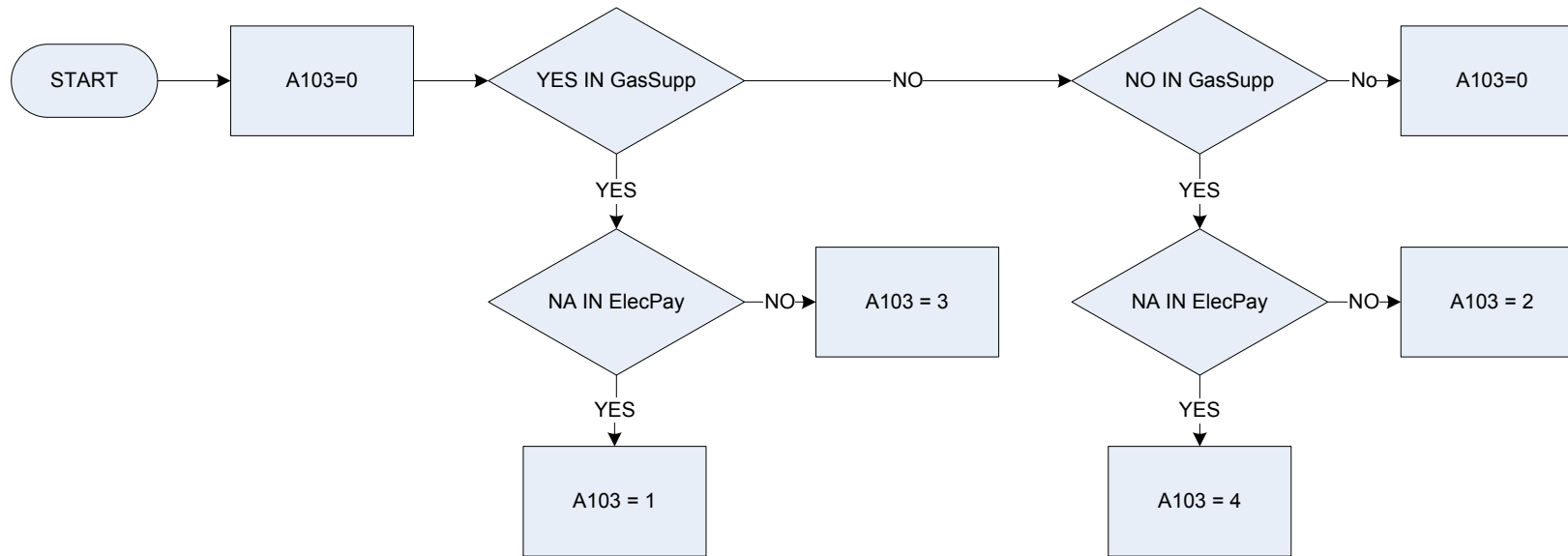
- 0** *Not recorded*
- 1** *Fixed Telephone*
- 2** *Mobile Telephone*
- 3** *Fixed and Mobile telephone*
- 4** *No telephone present*

#### **Telephon**

Does your household have any of the following items in your (part of the) accommodation?

- 1** *Yes, fixed telephone*
- 2** *Yes, mobile telephone*
- 3** *Yes, fixed and mobile telephone*
- 4** *No*

## A103 – Gas/electric supplied to accommodation



### KEY

#### A103

Gas Electric supplied to accommodation

- 0** Not recorded
- 1** Gas only
- 2** Electricity only
- 3** Gas & electricity
- 4** No gas electricity

#### Elecpay

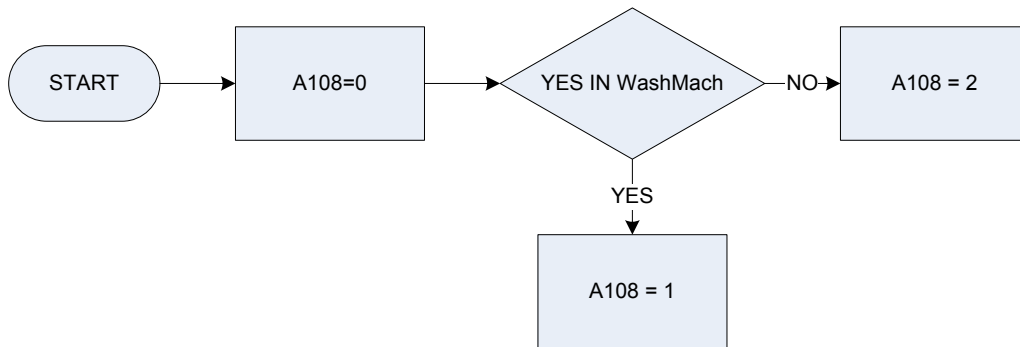
Electricity – method of payment

- Ddbt** Direct debit
- Stndord** Standing order
- Qtrbill** Monthly/quarterly bill
- Prepay** Pre-payment (keycard or token) meters
- Inrent** Included in rent
- Freqpay** Frequent cash payment method (i.e. more frequent than once a month)
- Fueldir** Fuel direct/direct from benefits
- FxAnBil** Fixed Annual Bill (however much gas/electricity is used) e.g. StayWarm
- Othmetg** Other
- NA** Not applicable
- Dknw** Don't know

#### GasSupp

Does the respondent have gas supplied to their (part of this) house/flat?

## A108 – Washing machine in household



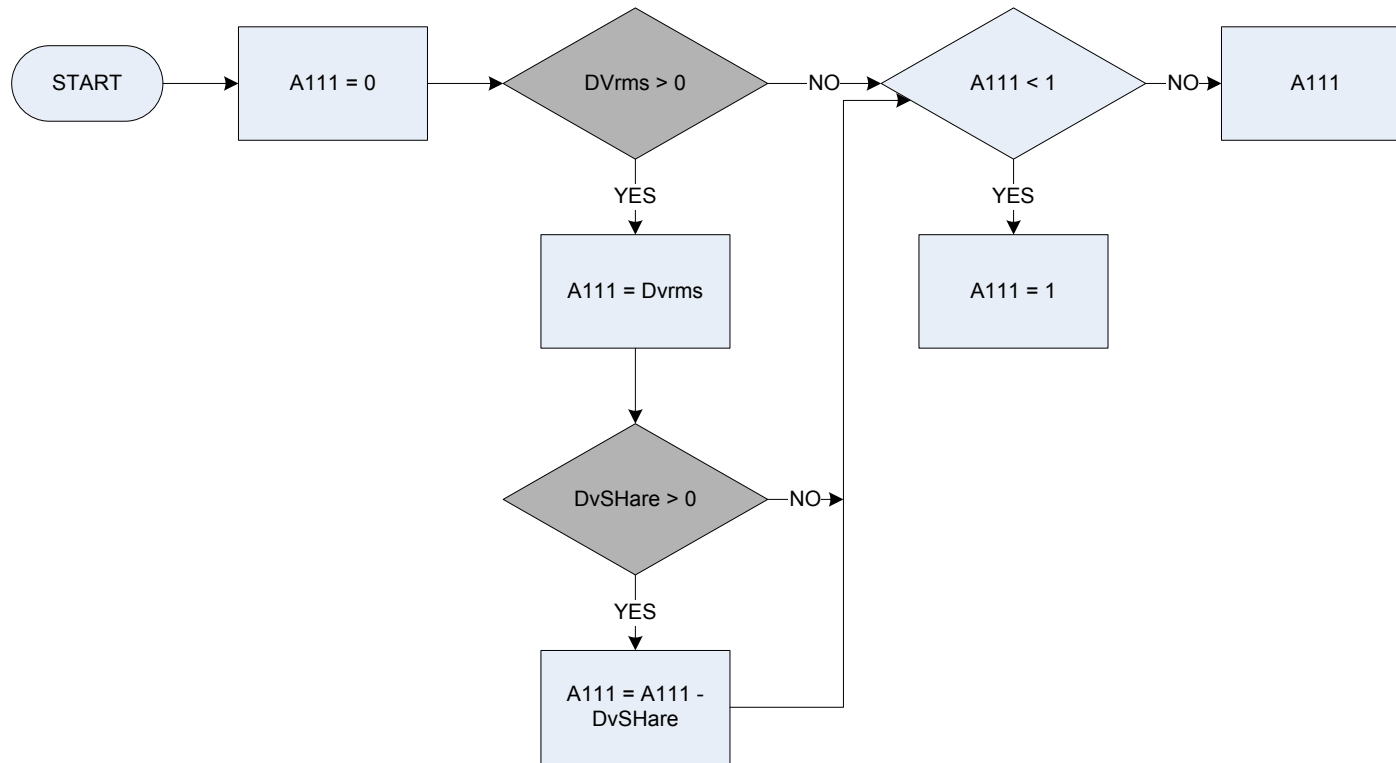
### KEY

**WashMach**

Does the household have a washing machine?



## A111 – Rooms used solely by household

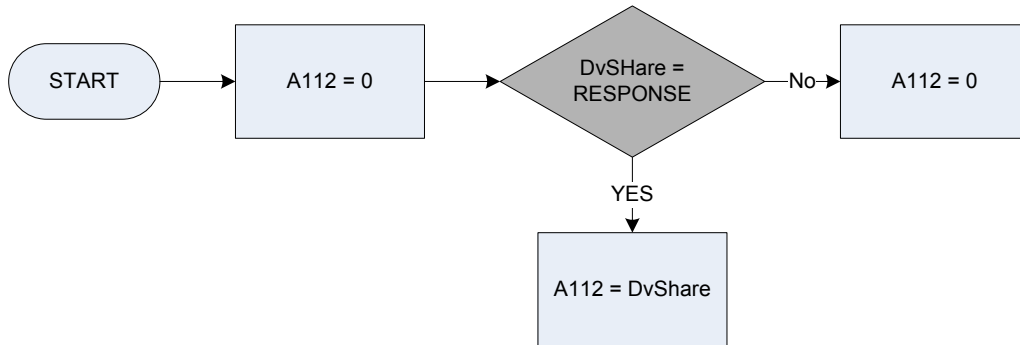


### KEY

**DVrms**  
**DvShare**

Derived Variable for total number of rooms, excluding small kitchens and bathrooms  
Derived Variable for total number of shared rooms, excluding small kitchens and bathrooms

## A112 – Rooms shared by household

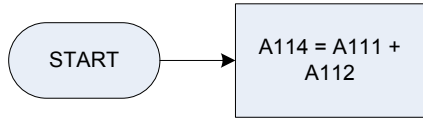


### KEY

**DvShare**

Derived Variable for the total number of shared rooms, excluding small kitchens and bathrooms

## A114 – Rooms in accommodation - total

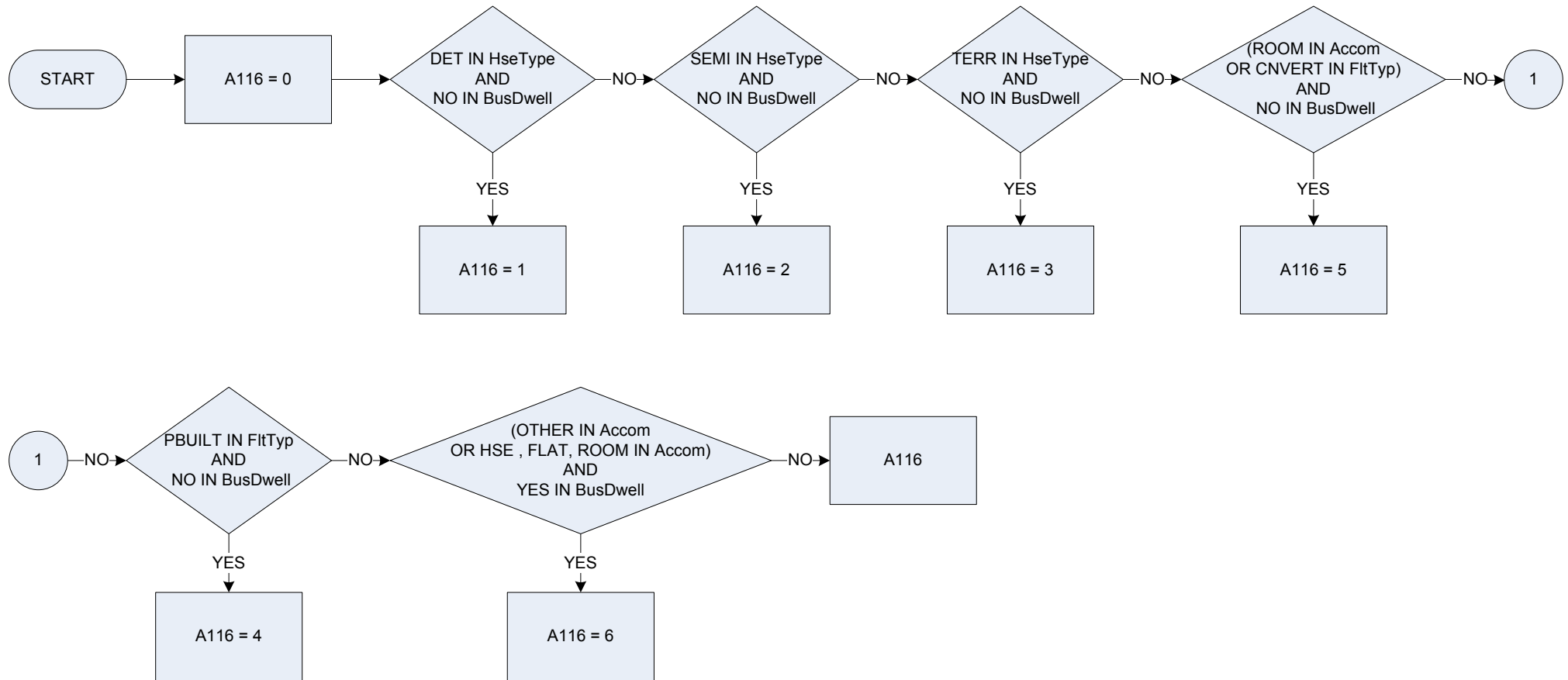


### KEY

A111  
A112

Rooms used solely by household  
Rooms shared in accommodation - total

## A116 – Category of dwelling



### KEY

#### A116

Category of dwelling

- 0** Not Recorded
- 1** Whole house, bungalow-detached
- 2** Whole house, bungalow-semi-detached
- 3** Whole house, bungalow-terraced
- 4** Purpose-built flat maisonette
- 5** Part of house converted flat
- 6** Others

#### Accom

Please code the household's accommodation

- Hse** a house or bungalow
- Flat** a flat or maisonette
- Room** a room/rooms
- Other** other

#### BusDwell

Is the address attached to business premises

- Yes** Yes
- No** No

#### HseType

Is it (the house or bungalow):

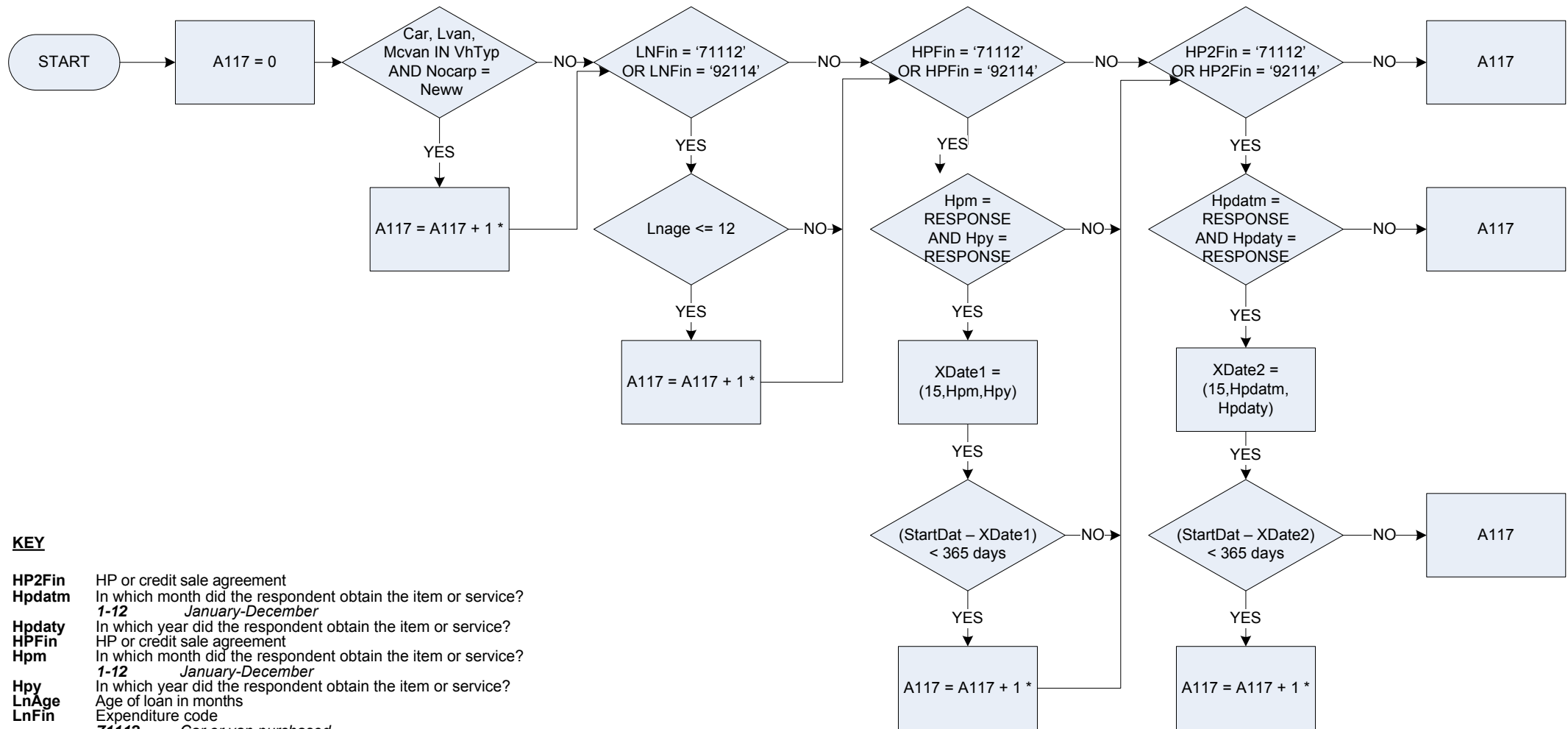
- Det** detached;
- Semi** semi-detached;
- Terr** or terraced/ end of terrace?

#### FitTyp

Is it (the flat/maisonette):

- PBuilt** a purpose-built block,
- Cnvert** a converted house/some other kind of building

## A117 – Number of new cars/vans bought in last 12 months

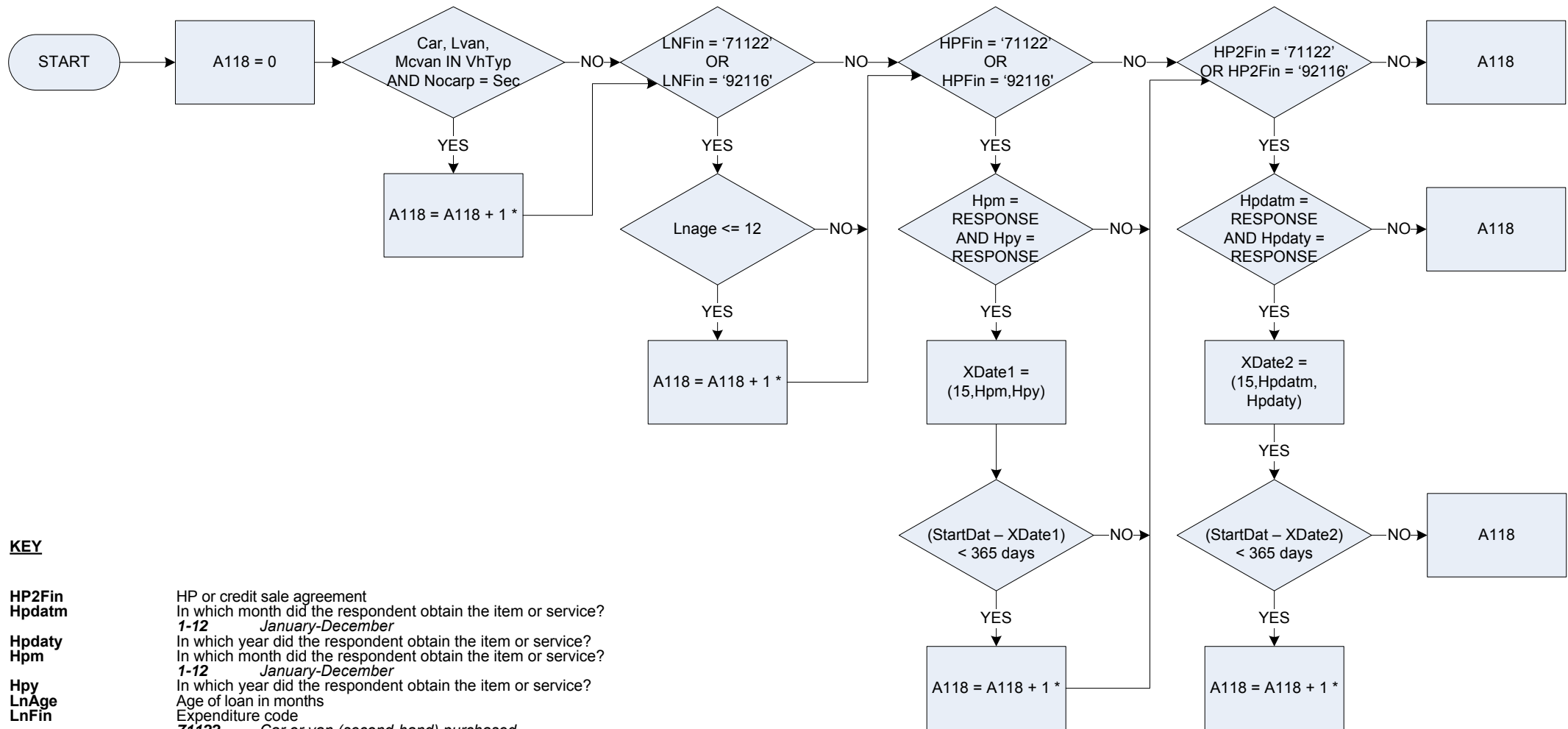


### KEY

<b>HP2Fin</b>	HP or credit sale agreement
<b>Hpdadm</b>	In which month did the respondent obtain the item or service? 1-12 January-December
<b>Hpdaty</b>	In which year did the respondent obtain the item or service?
<b>HPFin</b>	HP or credit sale agreement
<b>Hpm</b>	In which month did the respondent obtain the item or service? 1-12 January-December
<b>Hpy</b>	In which year did the respondent obtain the item or service?
<b>LnAge</b>	Age of loan in months
<b>LNFin</b>	Expenditure code 71112 Car or van purchased 92114 Purchase of motor caravan new (second-hand) – outright
<b>Nocarp</b>	Was the vehicle new or second-hand? New New Sec Second-hand
<b>Startdat</b>	Date of interview
<b>VhTyp</b>	Was the respondent's vehicle: car a car lvan a light van mcycle a motor cycle mcvan a motor caravan other some other motor vehicle

\*If the household has bought more than one car by any of these methods then these are all added to the total amount for A117

## A118 – Number of second-hand cars/vans bought in last 12 months

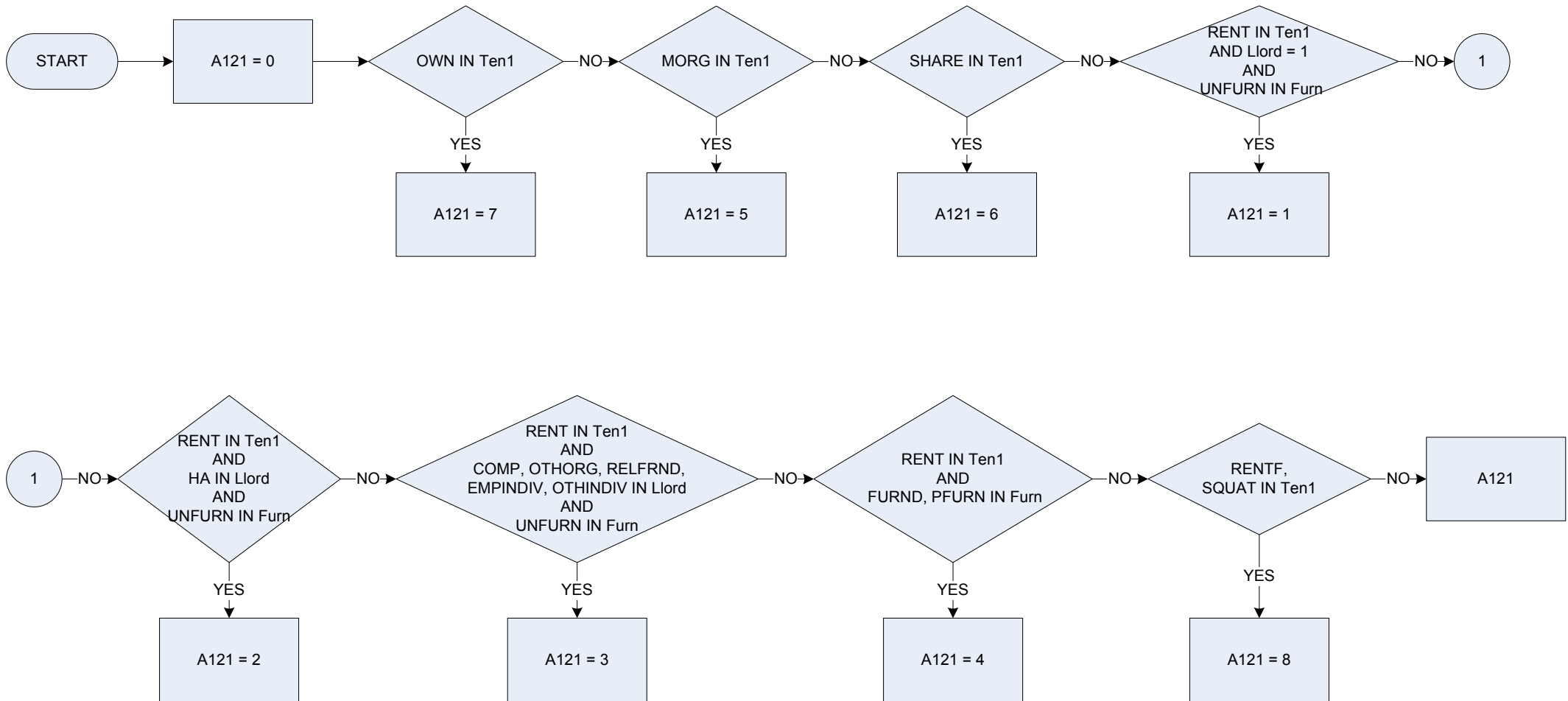


### KEY

<b>HP2Fin</b>	HP or credit sale agreement
<b>Hpdatm</b>	In which month did the respondent obtain the item or service? <b>1-12</b> January-December
<b>Hpdaty</b>	In which year did the respondent obtain the item or service?
<b>Hpm</b>	In which month did the respondent obtain the item or service? <b>1-12</b> January-December
<b>Hpy</b>	In which year did the respondent obtain the item or service?
<b>LnAge</b>	Age of loan in months
<b>LnFin</b>	Expenditure code
	<b>71122</b> Car or van (second-hand) purchased
	<b>92116</b> Purchase of motor caravan (second-hand) – outright
<b>Nocarp</b>	Was the vehicle new or second-hand?
	<b>New</b> New
	<b>Sec</b> Second-hand
<b>Startdat</b>	Date of interview
<b>Vtyp</b>	Was the respondent's vehicle:
	<b>car</b> a car
	<b>lvan</b> a light van
	<b>mcycle</b> a motor cycle
	<b>mcvan</b> a motor caravan
	<b>other</b> some other motor vehicle

\*If the household has bought more than one second-hand car by any of these methods then these are all added to the total amount for A118

# A121 – Tenure type



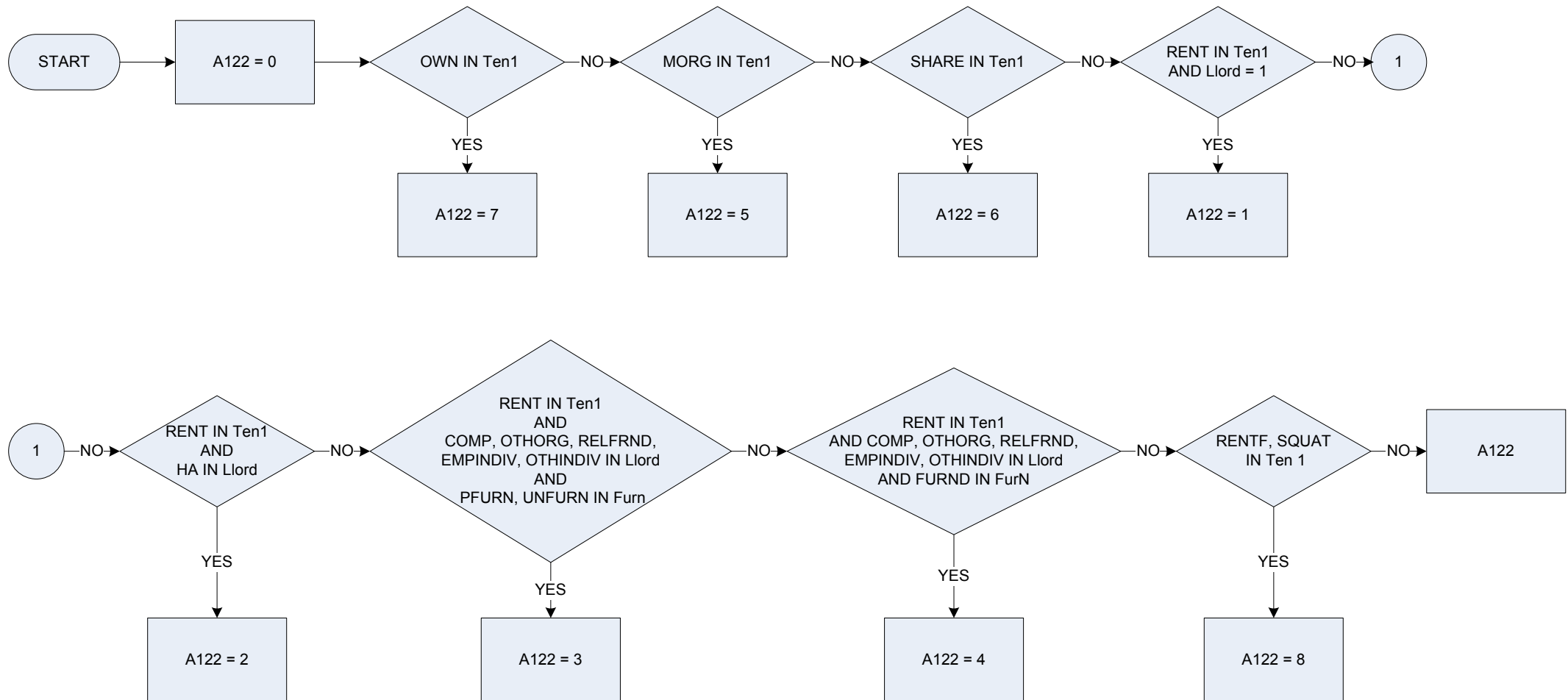
## A121 – Tenure type

### KEY

<b>A121</b>	Tenure type	
	<b>0</b>	<i>Not Recorded</i>
	<b>1</b>	<i>Local authority rented unfurn</i>
	<b>2</b>	<i>Housing association</i>
	<b>3</b>	<i>Other rented unfurnished</i>
	<b>4</b>	<i>Rented furnished</i>
	<b>5</b>	<i>Owned with mortgage</i>
	<b>6</b>	<i>Owned by rental purchase</i>
	<b>7</b>	<i>Owned outright</i>
	<b>8</b>	<i>Rent free</i>
<b>Furn</b>	Is the accommodation provided:	
	<b>Furnd</b>	<i>furnished,</i>
	<b>PFurn</b>	<i>partly furnished (e.g. carpets and curtains only)</i>
	<b>UnFurn</b>	<i>or unfurnished?</i>
<b>LLord</b>	Who is the respondent's Landlord?	
	<b>LA</b>	<i>the local authority/council/Scottish Homes?</i>
	<b>HA</b>	<i>a housing association, charitable trust or Local Housing Company?</i>
	<b>Comp</b>	<i>employer (organisation) of a household member?</i>
	<b>OthOrg</b>	<i>another organisation?</i>
	<b>RelFrnd</b>	<i>relative/friend (before you lived here) of a household member?</i>
	<b>Emplndiv</b>	<i>employer (individual) of a household member?</i>
	<b>OthIndiv</b>	<i>another individual private landlord?</i>
<b>Ten1</b>	In which of these ways does the respondent occupy this accommodation?	
	<b>Own</b>	<i>Own it outright</i>
	<b>Morg</b>	<i>Buying it with the help of a mortgage or loan</i>
	<b>Share</b>	<i>Pay part rent and part mortgage (shared ownership)</i>
	<b>Rent</b>	<i>Rent it</i>
	<b>RentF</b>	<i>Live here rent-free (including rent-free in relative's/friend's property; excluding squatting)",</i>
	<b>Squat</b>	<i>Squatting</i>



## A122 – Tenure type - harmonised

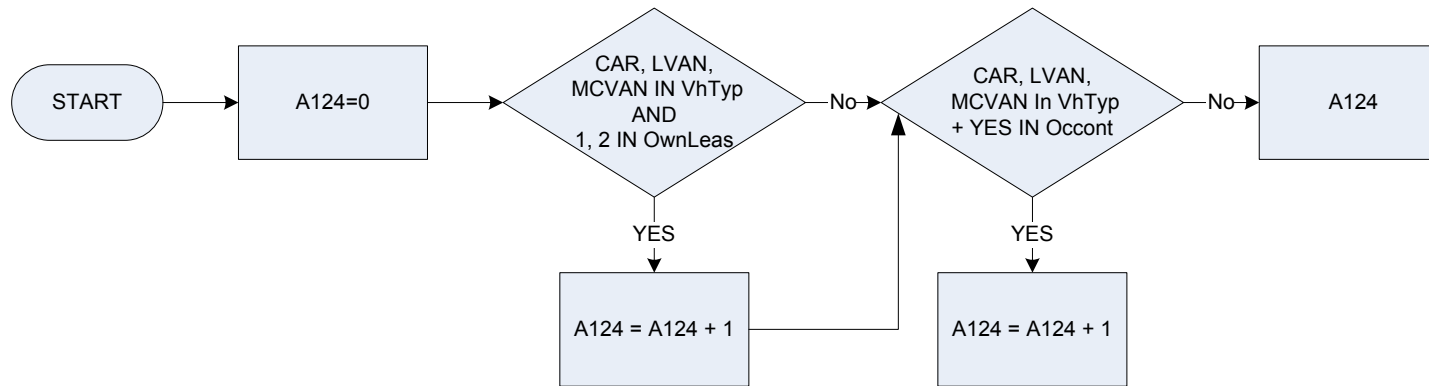


## A122 – Tenure type - harmonised

### KEY

<b>A122</b>	Tenure type – harmonised
	<b>0</b> <i>Not Recorded</i>
	<b>1</b> <i>LA (furnished unfurnished)</i>
	<b>2</b> <i>Housing Assn (furnished unfurnished)</i>
	<b>3</b> <i>Priv. rented (unfurnished)</i>
	<b>4</b> <i>Priv. rented (furnished)</i>
	<b>5</b> <i>Owned with mortgage</i>
	<b>6</b> <i>Owned by rental purchase</i>
	<b>7</b> <i>Owned outright</i>
	<b>8</b> <i>Rent free</i>
<b>Furn</b>	Is the accommodation provided:
	<b>Furnd</b> <i>furnished</i>
	<b>PFurn</b> <i>partly furnished (e.g. carpets and curtains only)</i>
	<b>UnFurn</b> <i>unfurnished</i>
<b>LLord</b>	Who is the respondent's Landlord?
	<b>LA</b> <i>the local authority/council/Scottish Homes</i>
	<b>HA</b> <i>a housing association, charitable trust or Local Housing Company</i>
	<b>Comp</b> <i>employer (organisation) of a household member</i>
	<b>OthOrg</b> <i>another organisation</i>
	<b>RelFrnd</b> <i>relative/friend (before you lived here) of a household member</i>
	<b>EmplIndiv</b> <i>employer (individual) of a household member</i>
	<b>OthIndiv</b> <i>another individual private landlord</i>
<b>Ten1</b>	In which of these ways does the respondent occupy this accommodation?
	<b>Own</b> <i>Own it outright</i>
	<b>Morg</b> <i>Buying it with the help of a mortgage or loan</i>
	<b>Share</b> <i>Pay part rent and part mortgage (shared ownership)</i>
	<b>Rent</b> <i>Rent it</i>
	<b>RentF</b> <i>Live here rent-free (including rent-free in relative's/friend's property; excluding squatting)</i>
	<b>Squat</b> <i>Squatting</i>

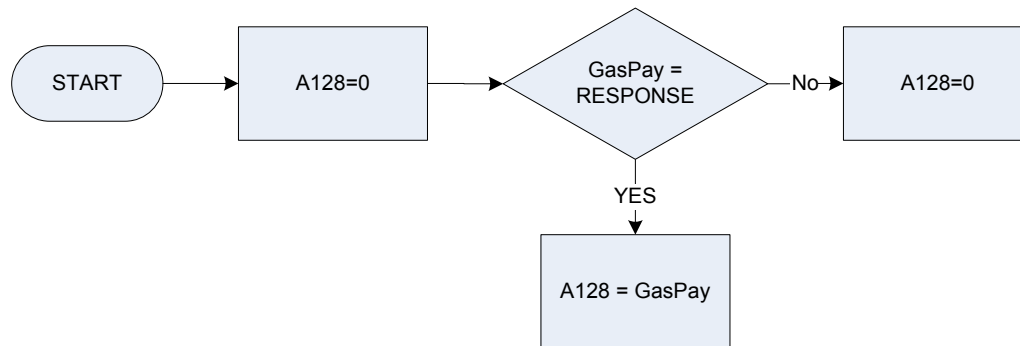
## A124 – Cars and vans in household



### KEY

<b>Occont</b>	Does the respondent have continuous use of the vehicle at present?
<b>1</b>	Yes
<b>2</b>	No
<b>Ownleas</b>	Is the vehicle privately owned or leased at present?
<b>Own</b>	Privately owned at present
<b>Leas</b>	Privately leased at present
<b>VhTyp</b>	Was the respondent's vehicle:
<b>car</b>	a car
<b>lvan</b>	a light van
<b>mcycle</b>	a motor cycle
<b>mcvan</b>	a motor caravan
<b>other</b>	or some other motor vehicle?

## A128 – Gas – method of payment

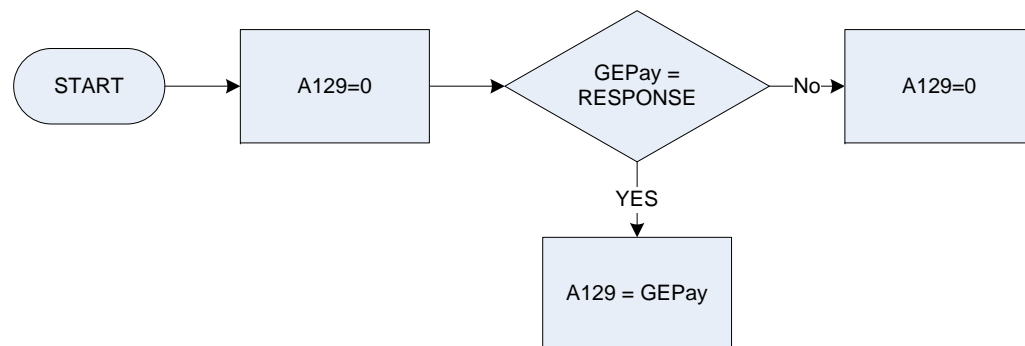


### KEY

<b>A128</b>	Gas - method of payment
<b>0</b>	<i>Not recorded</i>
<b>1</b>	<i>Direct debit</i>
<b>2</b>	<i>Standing order</i>
<b>3</b>	<i>Monthly quarterly bill</i>
<b>4</b>	<i>Pre-payment (keycard or token) meters</i>
<b>5</b>	<i>Included in rent</i>
<b>6</b>	<i>Frequent cash payment method (i.e. more frequent than once a month)</i>
<b>7</b>	<i>Fuel direct direct from benefits</i>
<b>8</b>	<i>Fixed Annual Bill (however much gas/electricity is used) e.g. StayWarm</i>
<b>9</b>	<i>Other (Please specify)</i>
<b>99</b>	<i>Don't know</i>

<b>Gaspay</b>	By which of the methods on this card does the respondent pay for their gas?
<b>Ddbt</b>	<i>Direct debit</i>
<b>Stndord</b>	<i>Standing order</i>
<b>Qtrbill</b>	<i>Monthly/quarterly bill</i>
<b>Prepay</b>	<i>Pre-payment (keycard or token) meters</i>
<b>Inrent</b>	<i>Included in rent</i>
<b>Freqpay</b>	<i>Frequent cash payment method (i.e. more frequent than once a month)</i>
<b>Fueldir</b>	<i>Fuel direct/direct from benefits</i>
<b>FxAnBil</b>	<i>Fixed Annual Bill (however much gas/electricity is used) e.g. StayWarm</i>
<b>Othmetg</b>	<i>Other (Please specify)</i>
<b>Dknw</b>	<i>Don't know</i>

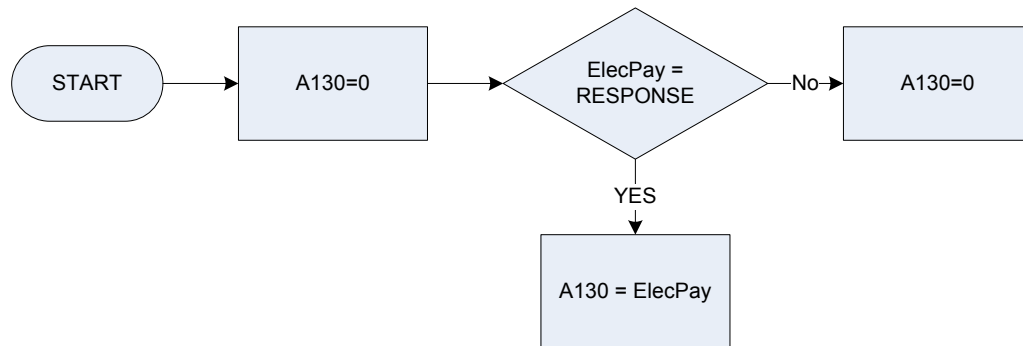
## A129 – Combined gas and electricity – method of payment



### KEY

A129	Combined gas and electricity - method of payment
0	<i>Not recorded</i>
1	<i>Direct debit</i>
2	<i>Standing order</i>
3	<i>Monthly quarterly bill</i>
4	<i>Pre-payment (keycard or token) meters</i>
5	<i>Included in rent</i>
6	<i>Frequent cash payment method (i.e. more</i>
7	<i>Fuel direct direct from benefits</i>
8	<i>Fixed Annual Bill (however much gas elec</i>
9	<i>Other</i>
10	<i>Paid direct by someone outside household (except DWP)</i>
88	<i>Not applicable</i>
99	<i>Don t know</i>
GEPay	By which of these methods does the respondent pay for their electricity at this house/flat...
	<i>Ddbt Direct debit</i>
	<i>Stndord Standing order</i>
	<i>Qtrbill Monthly/quarterly bill</i>
	<i>Prepay Pre-payment (keycard or token) meters</i>
	<i>Inrent Included in rent</i>
	<i>Freqpay Frequent cash payment method (i.e. more frequent than once a month)</i>
	<i>Fueldir Fuel direct/direct from benefits</i>
	<i>FxAnBil Fixed Annual Bill (however much gas/electricity is used) e.g. StayWarm</i>
	<i>Othmetg Other (Please specify)</i>
	<i>NA Not applicable</i>
	<i>Dknw Don't know</i>

## A130 – Electricity – method of payment

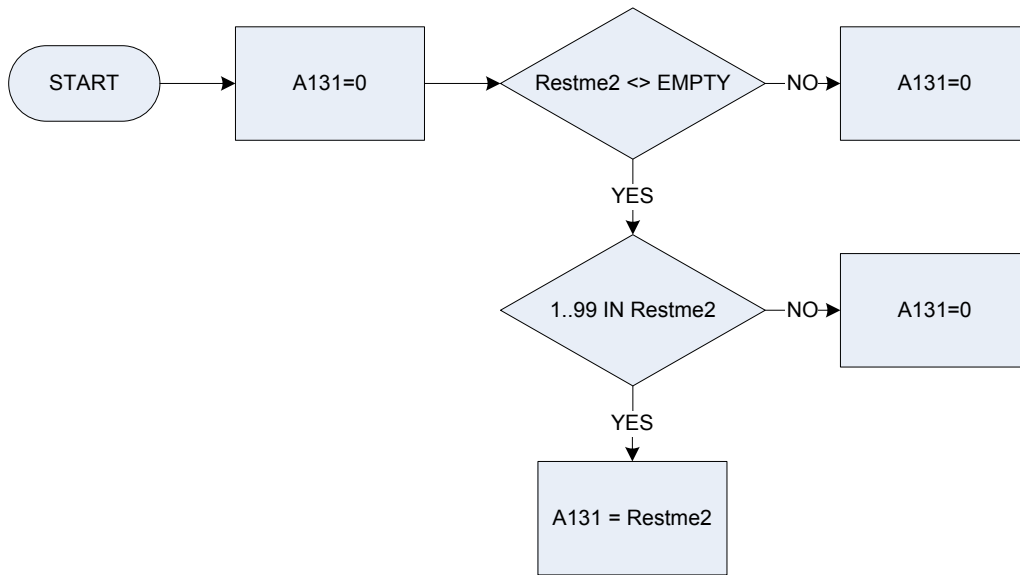


### KEY

<b>A130</b>	Electricity - method of payment
<b>0</b>	<i>Not recorded</i>
<b>1</b>	<i>Direct debit</i>
<b>2</b>	<i>Standing order</i>
<b>3</b>	<i>Monthly quarterly bill</i>
<b>4</b>	<i>Pre-payment (keycard or token) meters</i>
<b>5</b>	<i>Included in rent</i>
<b>6</b>	<i>Frequent cash payment method (i.e. more frequent than once a month)</i>
<b>7</b>	<i>Fuel direct direct from benefits</i>
<b>8</b>	<i>Fixed Annual Bill (however much gas/electricity is used) e.g. StayWarm</i>
<b>9</b>	<i>Other (Please specify)</i>
<b>88</b>	<i>Not applicable</i>
<b>99</b>	<i>Don't know</i>

<b>Elecpay</b>	By which of these methods does the respondent pay for their electricity at this house/flat...
<b>Ddbt</b>	<i>Direct debit</i>
<b>Stndord</b>	<i>Standing order</i>
<b>Qtrbill</b>	<i>Monthly/quarterly bill</i>
<b>Prepay</b>	<i>Pre-payment (keycard or token) meters</i>
<b>Inrent</b>	<i>Included in rent</i>
<b>Freqpay</b>	<i>Frequent cash payment method (i.e. more frequent than once a month)</i>
<b>Fueldir</b>	<i>Fuel direct/direct from benefits</i>
<b>FxAnBil</b>	<i>Fixed Annual Bill (however much gas/electricity is used) e.g. StayWarm</i>
<b>Othmetg</b>	<i>Other (Please specify)</i>
<b>NA</b>	<i>Not applicable</i>
<b>Dknw</b>	<i>Don't know</i>

## A131 – HRP – no of years at address

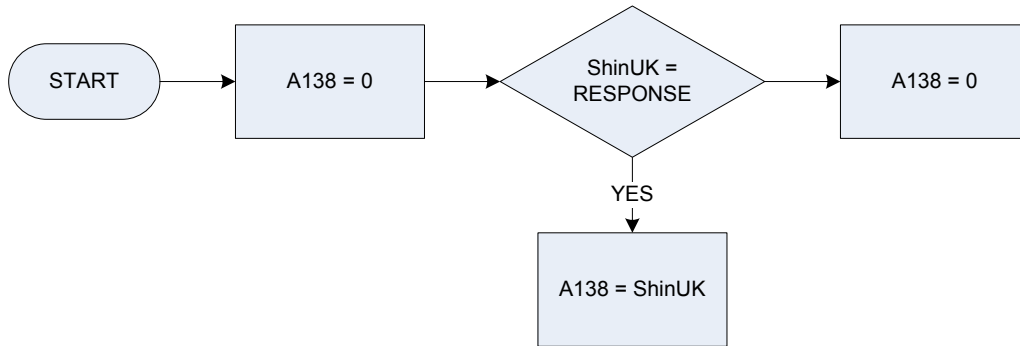


### KEY

Restme2

How many years has the HRP lived at this address?

## A138 – Second dwelling in United Kingdom



### KEY

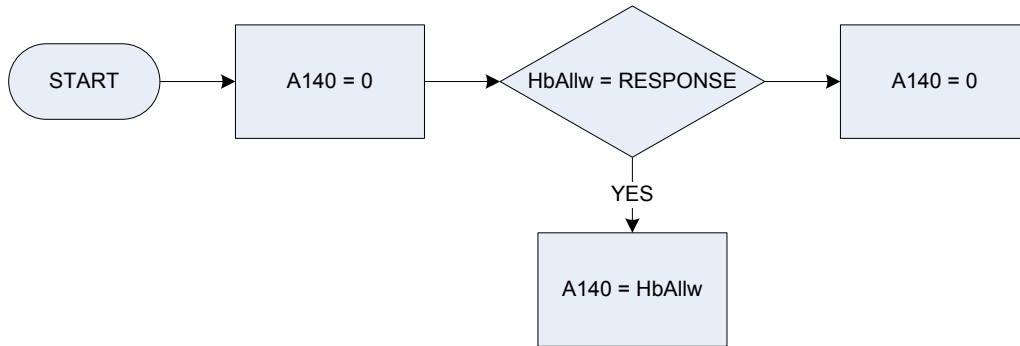
**ShinUK**

Is the second dwelling in England, Scotland, Wales or Northern Ireland?

- 1 Yes
- 2 No



## A140 – Rates rebate received in last year



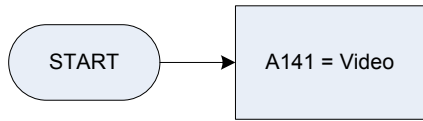
### KEY

**HbAllw**

Is the respondent allowed a rent rebate?

- 1 Yes
- 2 No

## A141 – Possession of video recorder



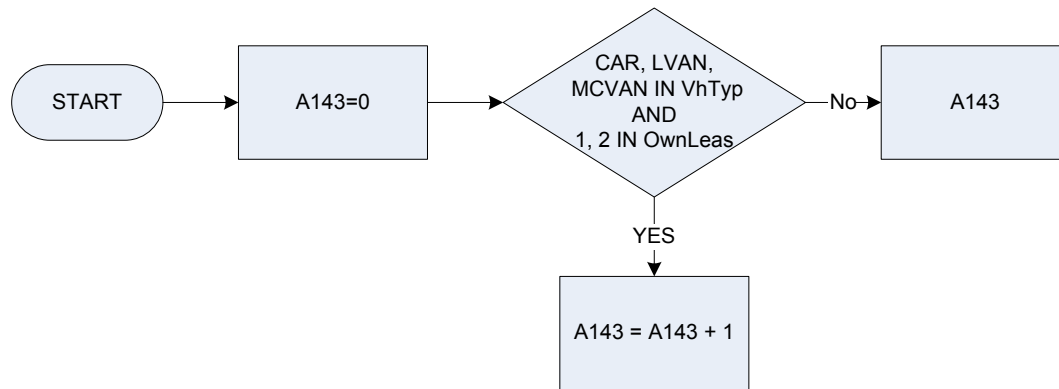
### KEY

#### Video

Does the respondent's household have a Video recorder?

<b>0</b>	<i>Not recorded</i>
<b>1</b>	<i>Video recorder</i>
<b>2</b>	<i>No video recorder present</i>

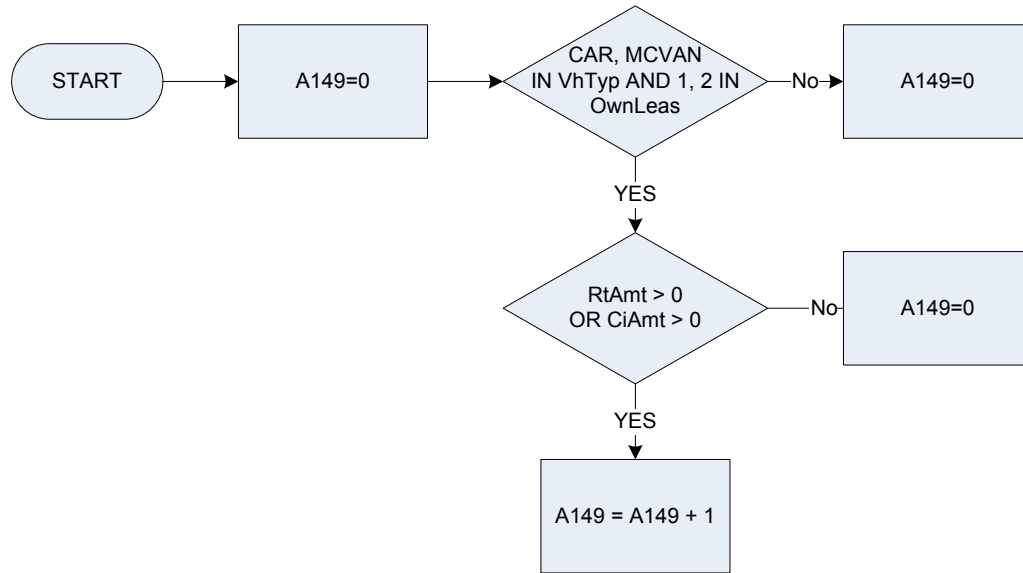
## A143 – Number of cars & vans currently owned



### KEY

<b>Ownleas</b>	Is the vehicle privately owned or leased at present?
<b>1</b>	<i>Privately owned at present</i>
<b>2</b>	<i>Privately leased at present</i>
<b>VhTyp</b>	Was the respondent's vehicle:
<b>car</b>	<i>a car</i>
<b>ivan</b>	<i>a light van</i>
<b>mcycle</b>	<i>a motor cycle</i>
<b>mcvan</b>	<i>a motor caravan</i>
<b>other</b>	<i>some other motor vehicle</i>

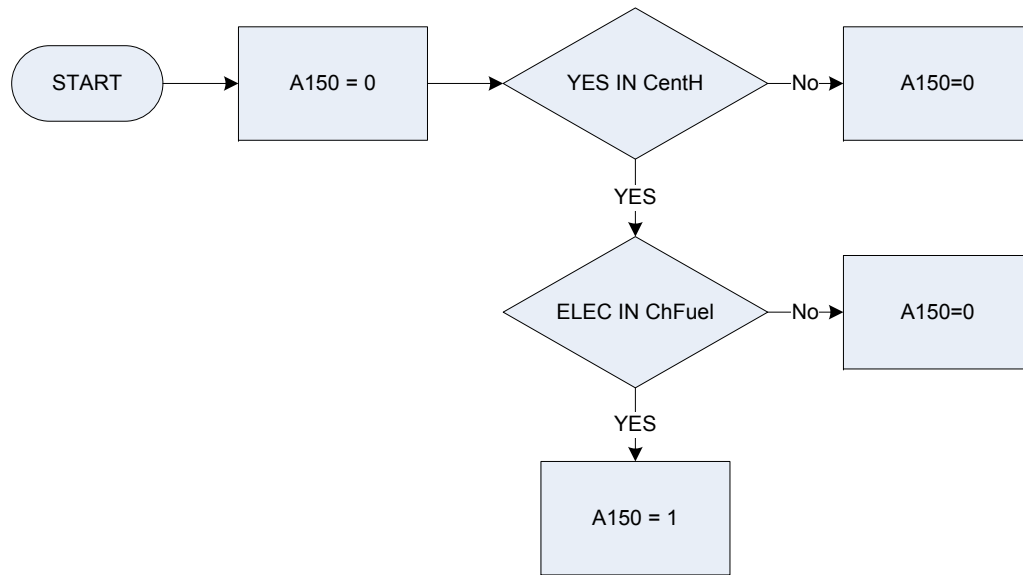
## A149 – Cars owned in household



### KEY

<b>CiAmt</b>	How much was the respondent's last Insurance payment?
<b>OwnLeas</b>	Is the vehicle privately owned or leased at present?
	<b>Own</b> <i>Privately owned at present</i>
	<b>Leas</b> <i>Privately leased at present</i>
<b>RtAmt</b>	How much did the respondent pay in road tax?
<b>VhTyp</b>	Was the respondent's vehicle:
	<b>car</b> <i>a car</i>
	<b>Ivan</b> <i>a light van</i>
	<b>mcycle</b> <i>a motor cycle</i>
	<b>mcvan</b> <i>a motor caravan</i>
	<b>other</b> <i>some other motor vehicle</i>

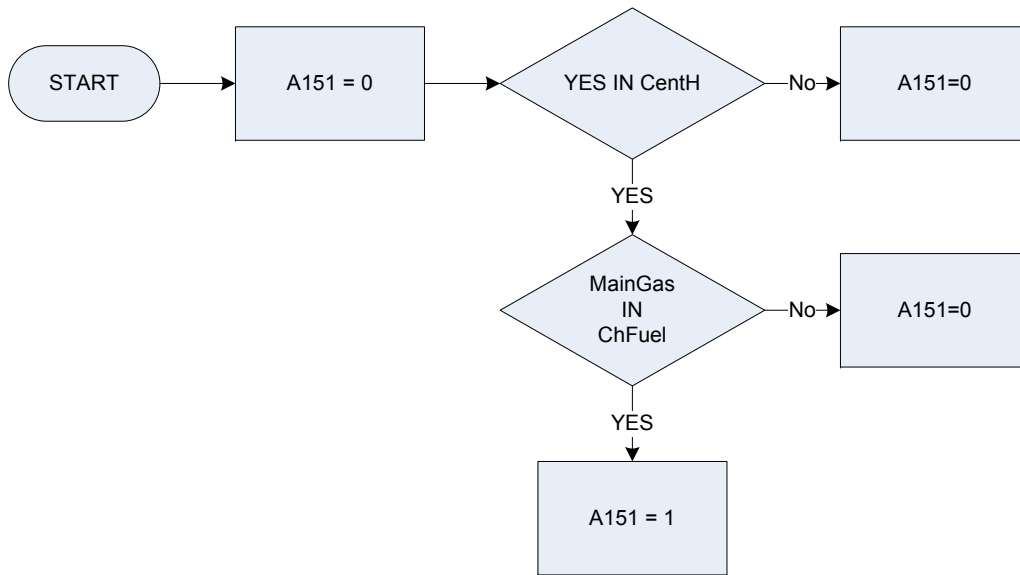
## A150 Central heating by electricity



### KEY

<b>CentH</b>	Does the respondent have central heating, including storage heaters, in this accommodation?
1	Yes
2	No
<b>ChFuel</b>	What fuel does it use?
1 <b>Elec</b>	Electricity
2 <b>Maingas</b>	Mains Gas
3 <b>Solid</b>	Solid fuel
4 <b>Oil</b>	Oil
5 <b>Solfuel</b>	Solid fuel and oil
6 <b>BottGas</b>	Bottled (Tanked) gas
7 <b>Renew</b>	Renewable energy
8 <b>Other</b>	Other

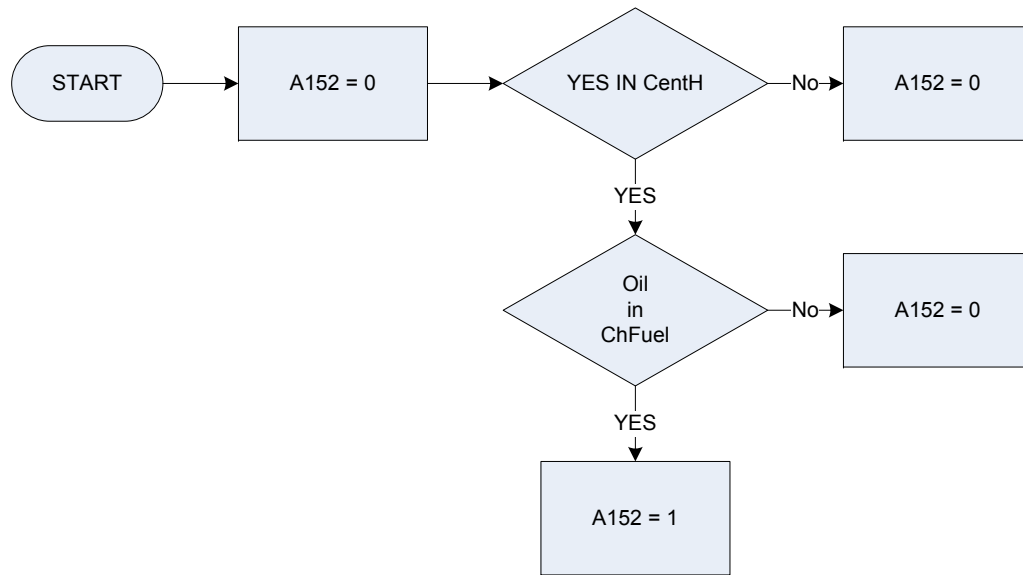
## A151 - Central heating by gas



### KEY

<b>CentH</b>	Does the respondent have central heating, including storage heaters, in this accommodation?
1	Yes
2	No
<b>ChFuel</b>	What fuel does it use?
1 <b>Elec</b>	Electricity,
2 <b>Maingas</b>	Mains Gas
3 <b>Solid</b>	Solid fuel
4 <b>Oil</b>	Oil
5 <b>Solfuel</b>	Solid fuel and oil
6 <b>BottGas</b>	Bottled (Tanked) gas
7 <b>Renew</b>	Renewable energy
8 <b>Other</b>	Other

## A152 Central heating by Oil



### KEY

**CentH** Does the respondent have central heating, including storage heaters, in this accommodation?

**1** Yes

**2** No

**ChFuel** What fuel does it use?

**1 Elec** Electricity

**2 Maingas** Mains Gas

**3 Solid** Solid fuel

**4 Oil** Oil

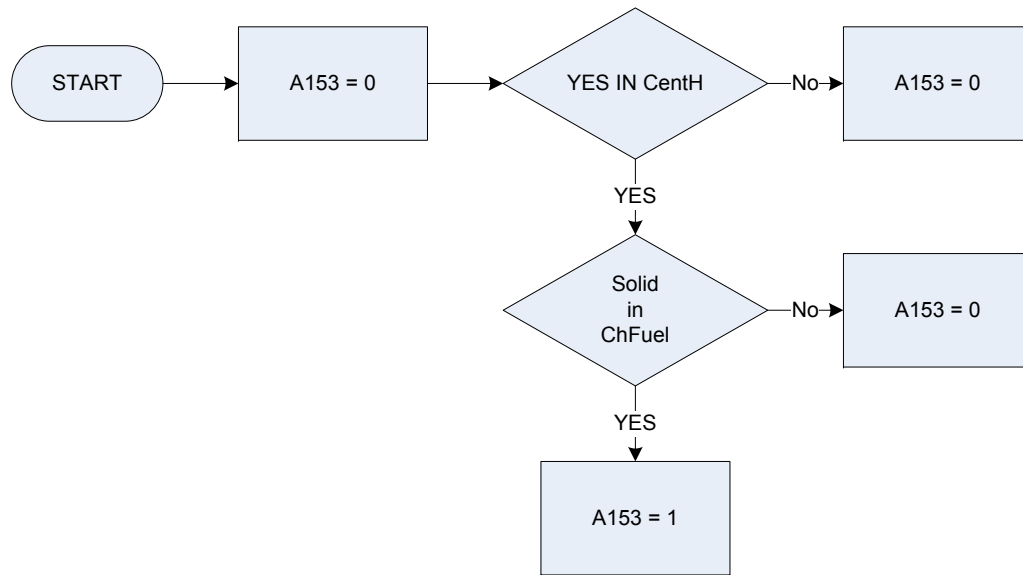
**5 Solfuel** Solid fuel and oil

**6 BottGas** Bottled (Tanked) gas

**7 Renew** Renewable energy

**8 Other** Other

## A153 Central heating by Solid Fuel

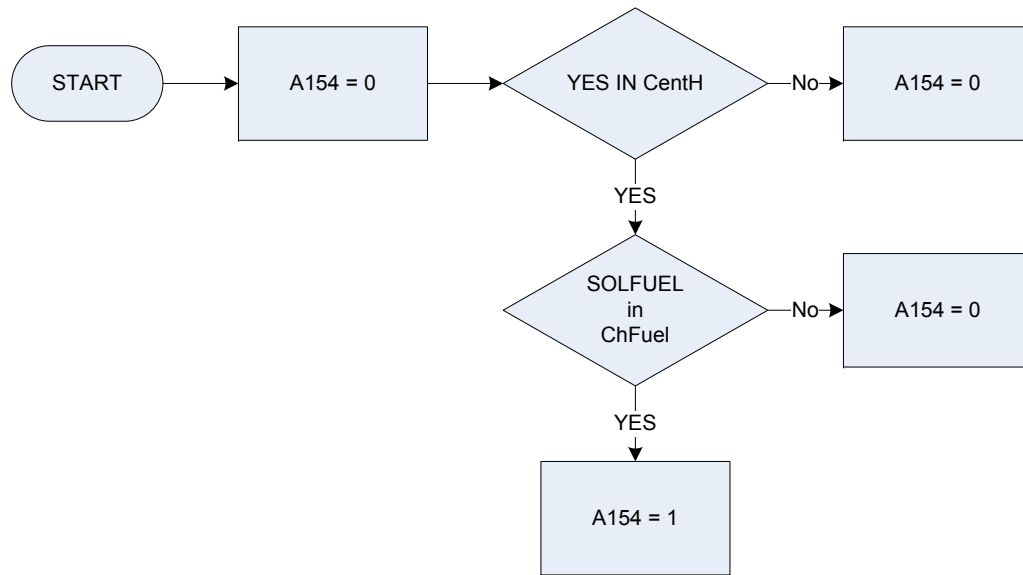


### KEY

<b>CentH</b>	Does the respondent have central heating, including storage heaters, in this accommodation?
<b>1</b>	Yes
<b>2</b>	No
<b>ChFuel</b>	What fuel does it use?
<b>1 Elec</b>	Electricity
<b>2 Maingas</b>	Mains Gas
<b>3 Solid</b>	Solid fuel
<b>4 Oil</b>	Oil
<b>5 Solfuel</b>	Solid fuel and oil
<b>6 BottGas</b>	Bottled (Tanked) gas
<b>7 Renew</b>	Renewable energy
<b>8 Other</b>	Other



## A154 Central heating by Solid Fuel and Oil



### KEY

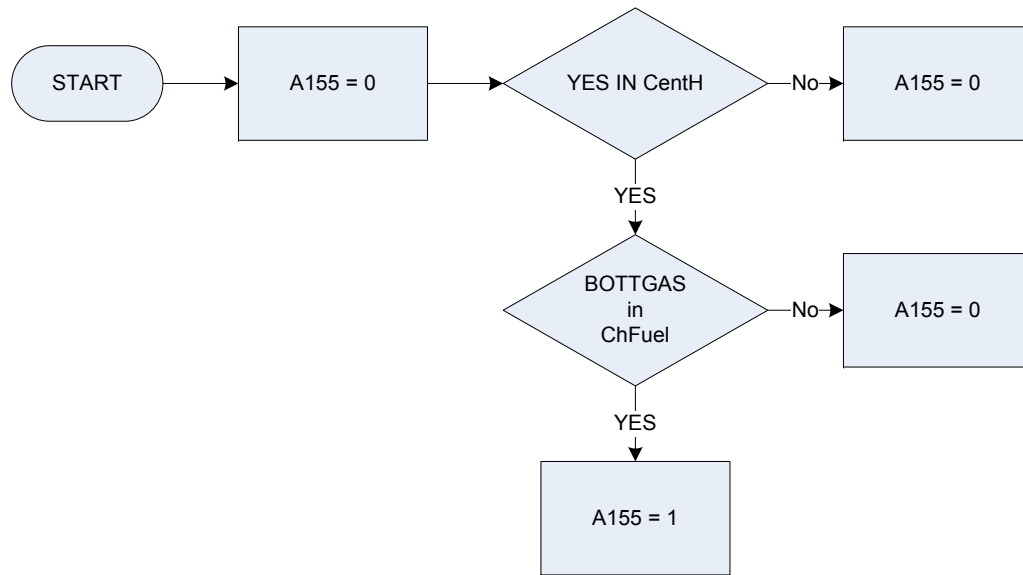
**CentH** Does the respondent have central heating, including storage heaters, in this accommodation?

- 1 Yes
- 2 No

**ChFuel** What fuel does it use?

- 1 *Elec* Electricity
- 2 *Maingas* Mains Gas
- 3 *Solid* Solid fuel
- 4 *Oil* Oil
- 5 *Solfuel* Solid fuel and oil
- 6 *BottGas* Bottled (Tanked) gas
- 7 *Renew* Renewable energy
- 8 *Other* Other

## A155 Central heating by Calor Gas



### KEY

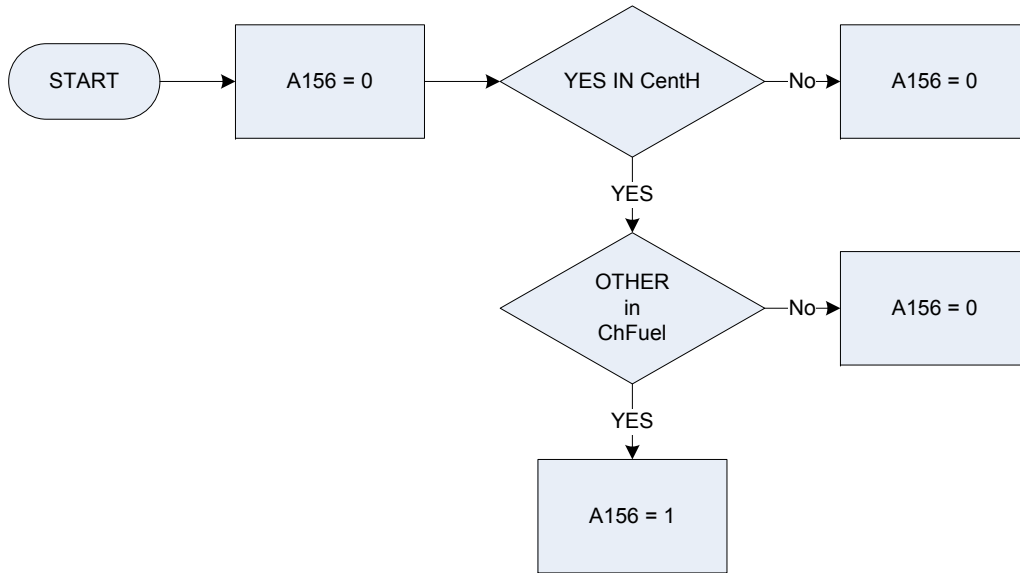
**CentH** Does the respondent have central heating, including storage heaters, in this accommodation?

- 1 Yes
- 2 No

**ChFuel** What fuel does it use?

- 1 **Elec** Electricity
- 2 **Maingas** Mains Gas
- 3 **Solid** Solid fuel
- 4 **Oil** Oil
- 5 **Solfuel** Solid fuel and oil
- 6 **BottGas** Bottled (Tanked) gas
- 7 **Renew** Renewable energy
- 8 **Other** Other

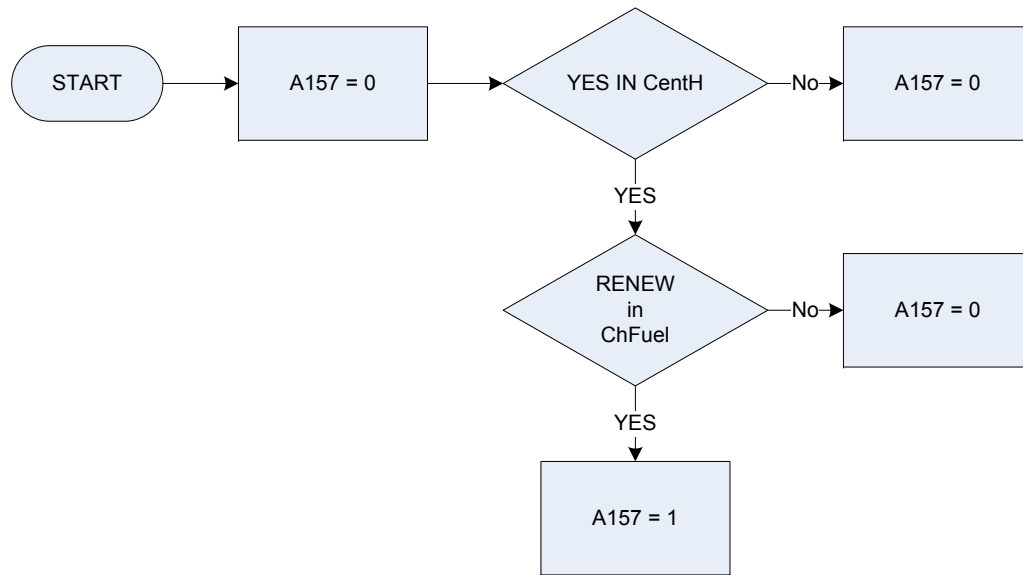
## A156 Other gas central heating



### KEY

<b>CentH</b>	Does the respondent have central heating, including storage heaters, in this accommodation?
<b>1</b>	Yes
<b>2</b>	No
<b>ChFuel</b>	What fuel does it use?
<b>1 Elec</b>	Electricity
<b>2 Maingas</b>	Mains Gas
<b>3 Solid</b>	Solid fuel
<b>4 Oil</b>	Oil
<b>5 Solfuel</b>	Solid fuel and oil
<b>6 BottGas</b>	Bottled (Tanked) gas
<b>7 Renew</b>	Renewable energy
<b>8 Other</b>	Other

## A157 Renewable energy



### KEY

**CentH**  
accommodation?

Does the respondent have central heating, including storage heaters, in this

1 Yes  
2 No

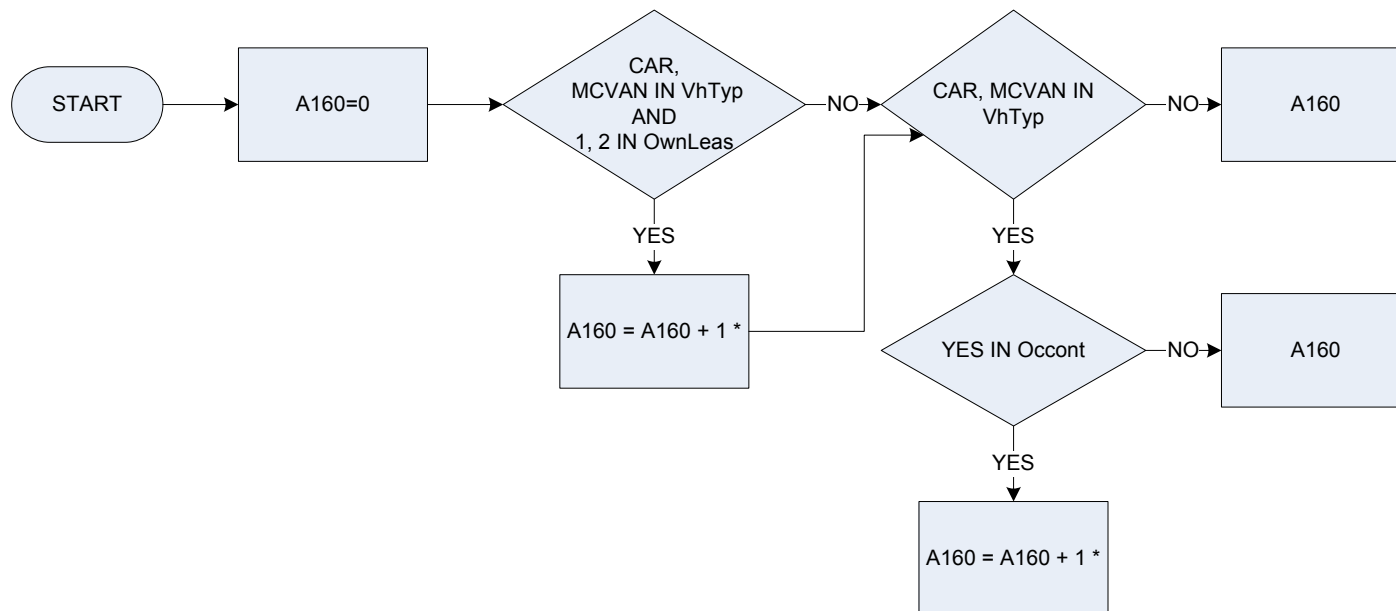
**ChFuel**

What fuel does it use?

1 *Elec*  
2 *Maingas*  
3 *Solid*  
4 *Oil*  
5 *Solfuel*  
6 *BottGas*  
7 *Renew*  
8 *Other*

*Electricity*  
*Mains Gas*  
*Solid fuel*  
*Oil*  
*Solid fuel and oil*  
*Bottled (Tanked) gas*  
*Renewable energy*  
*Other*

## A160 – Cars owned in household



### KEY

**Occont** Does the respondent have continuous use of the vehicle at present?

**1** Yes

**2** No

**Ownleas** Is the vehicle privately owned or leased at present?

**Own** Privately owned at present

**Leas** Privately leased at present

**VhTyp** Was the respondent's vehicle:

**car** a car

**Ivan** a light van

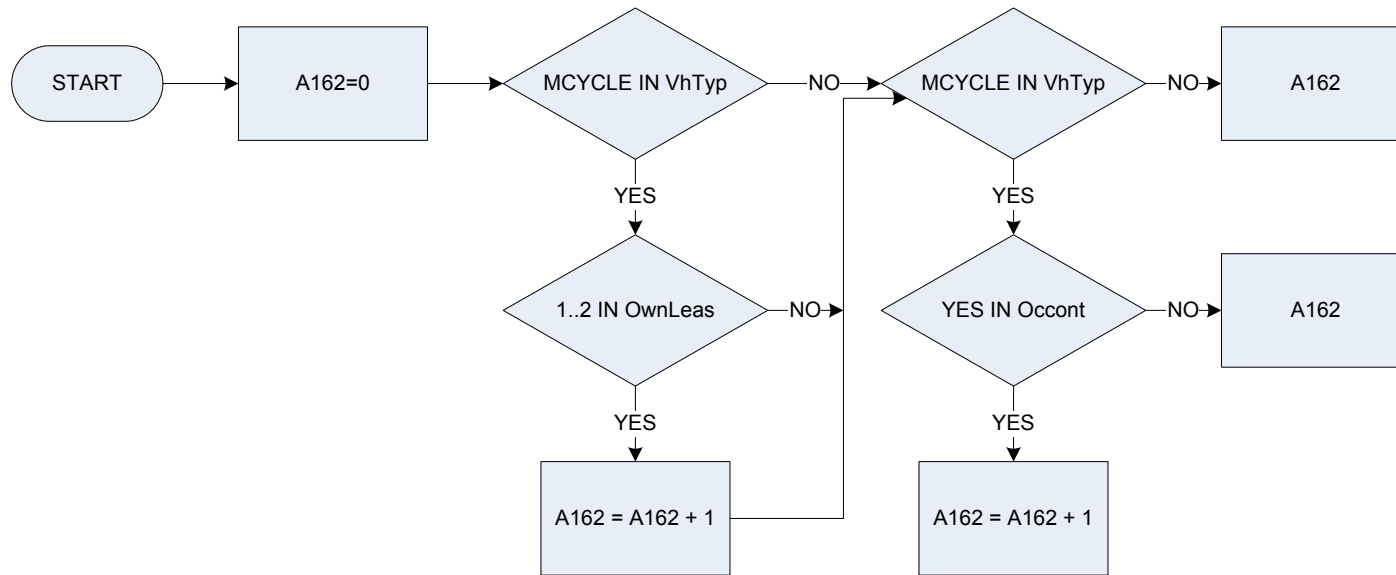
**mcycle** a motor cycle

**mcvan** a motor caravan

**other** some other motor vehicle

\*If the household owns more than one car then these are all added to the total amount for A160

## A162 – No of motorcycles owned or used

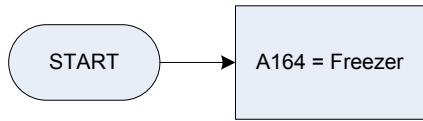


### KEY

<b>Occont</b>	Does the respondent have continuous use of the vehicle at present?
1	Yes
2	No
<b>Ownleas</b>	Is the vehicle privately owned or leased at present
<b>Own</b>	<i>Privately owned at present</i>
<b>Leas</b>	<i>Privately leased at present</i>
<b>VhTyp</b>	Was the respondent's vehicle:
<b>car</b>	<i>a car</i>
<b>lvan</b>	<i>a light van</i>
<b>mcycle</b>	<i>a motor cycle</i>
<b>mcvan</b>	<i>a motor caravan</i>
<b>other</b>	<i>some other motor vehicle</i>

\*If the household owns more than motorcycle then these are all added to the total amount for A162

## A164 – Fridge-freezer or deep freezer in household

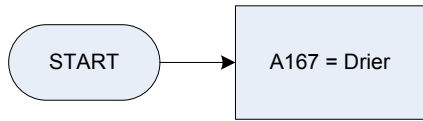


### KEY

#### Freezer

Does the household have a Deep freezer or fridge freezer?  
**0** *Not recorded*  
**1** *Fridge-freezer or deep freezer present*  
**2** *No fridge-freezer or deep freezer present*

## A167 – Tumble dryer in household



### KEY

#### **Drier**

Does the respondent's household have a Tumble drier?

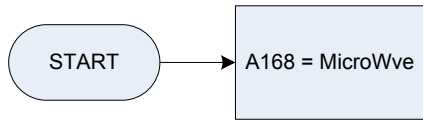
**0** *Not recorded*

**1** *Tumble drier*

**2** *Tumble drier not present*



## A168 – Microwave Oven in household



### KEY

**MicroWve**

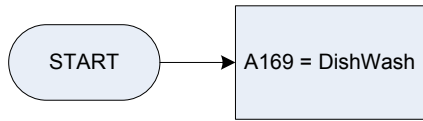
Does the respondent's household have a Microwave oven?

**0** *Not recorded*

**1** *Microwave oven*

**2** *Microwave oven not present*

## A169 – Dishwasher in household

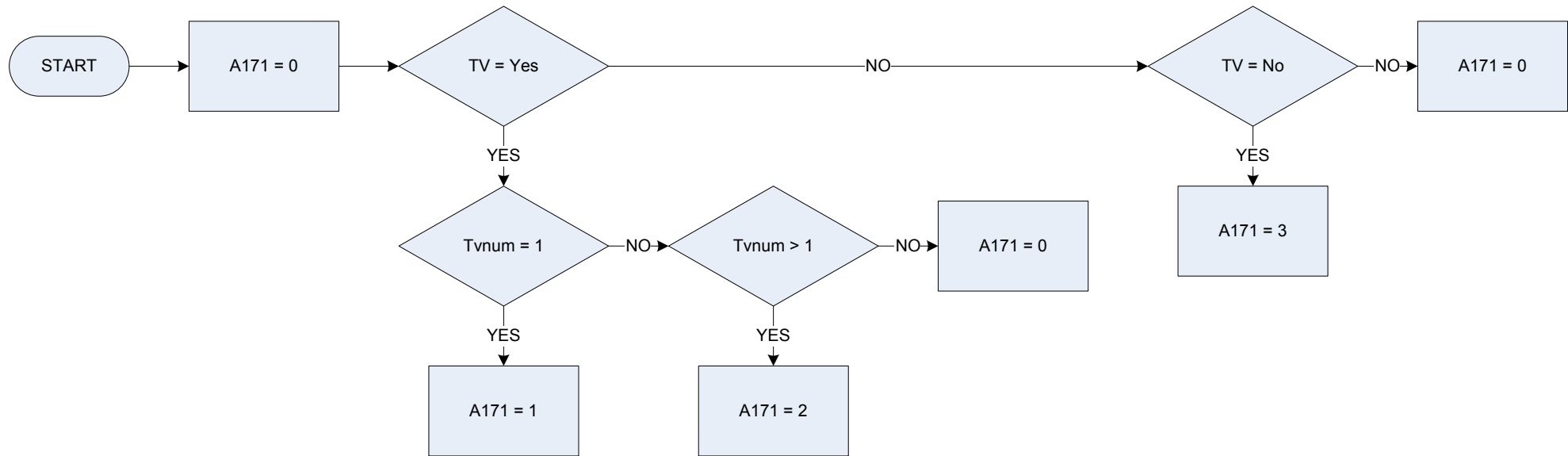


### KEY

#### **DishWash**

Does the respondent's household have a Dish washer?  
**0**      *Not recorded*  
**1**      *Dishwasher*  
**2**      *Dishwasher not present*

## A171 – TV set in household



### KEY

**A171**

Television in household

**0** Not recorded

**1** Television present

**2** More than one TV present

**3** No television present

**TV**

Does the respondent's household have a TV set?

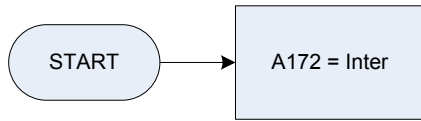
**1** Yes

**2** No

**Tvnum**

How many TV's does the household have?

## A172 – Internet connection in household



### KEY

Inter

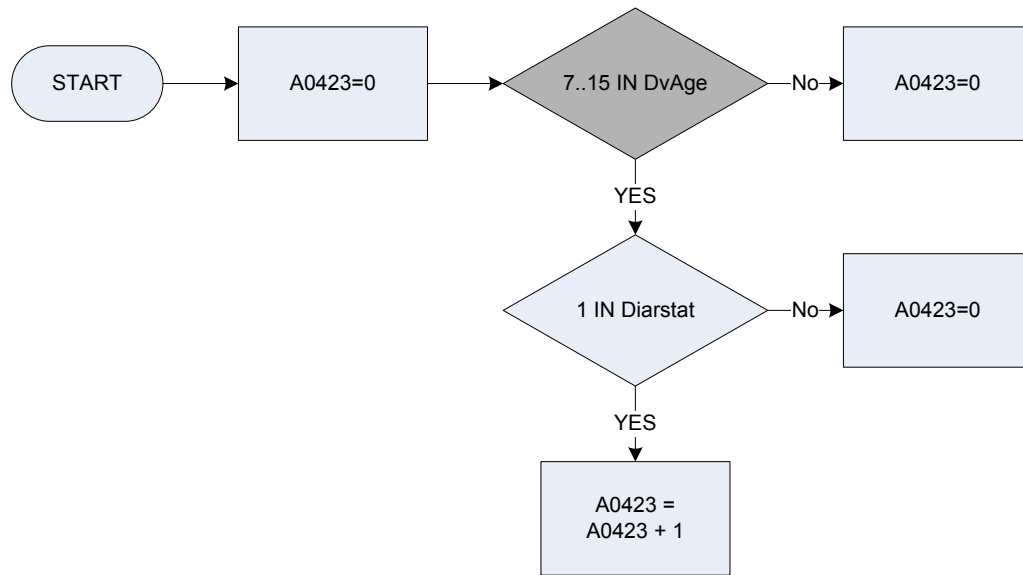
Does the respondent's household have access to the internet at home?

**0** *Not recorded*

**1** *Internet connection present*

**2** *Internet connection not present*

## A0423 – Number of children completing a diary



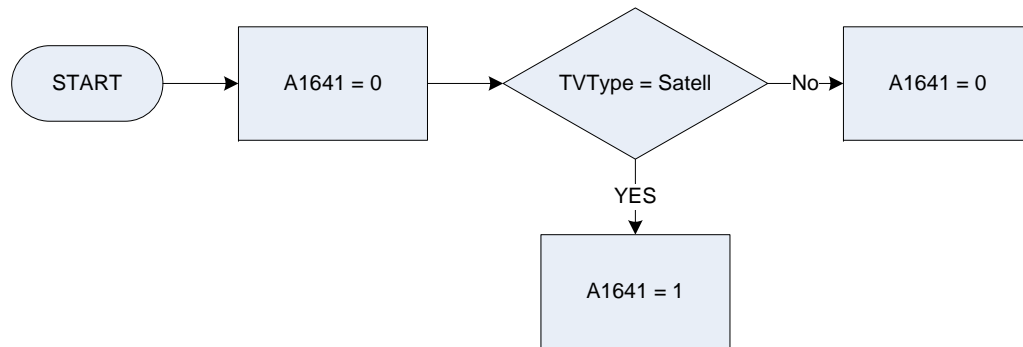
### KEY

**DvAge**  
**Diarstat**

Derived from Birth and Agelf - Age of whole sample  
Whether the child is completing a youth diary, is an absent spender or has refused to participate.

- 1 *Completing a youth diary*
- 2 *Absent spender*
- 3 *Refused youth diary task*
- 4 *Do not use (Northern Ireland only)*

## A1641 – Satellite receiver in household



### KEY

#### **A1641**

Satellite receiver in household

**0** *Satellite receiver not recorded*

**1** *Satellite receiver present*

#### **TVType**

How does the respondent get television on their main set in their home?

**Aerial** *A normal aerial on the TV set, attic or roof*

**Satell** *A Sky satellite dish*

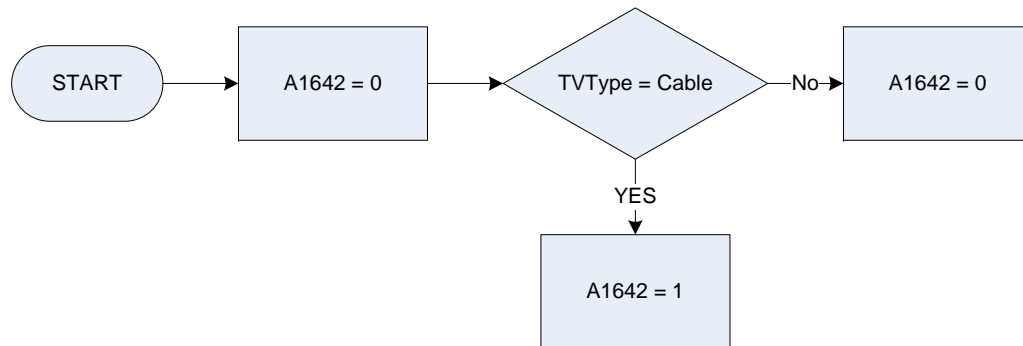
**Cable** *A connection made by cable TV company*

**BroadB** *Through a telephone line connection / broadband*

**PComp** *Only from a personal computer*

**DKnow** *Don't know*

## A1642 – Cable receiver in household



### KEY

#### A1642

Cable receiver in household

**0** Cable receiver not recorded

**1** Cable receiver present

#### TVType

How does the respondent get television on their main set in their home?

**Aerial** A normal aerial on the TV set, attic or roof

**Satell** A Sky satellite dish

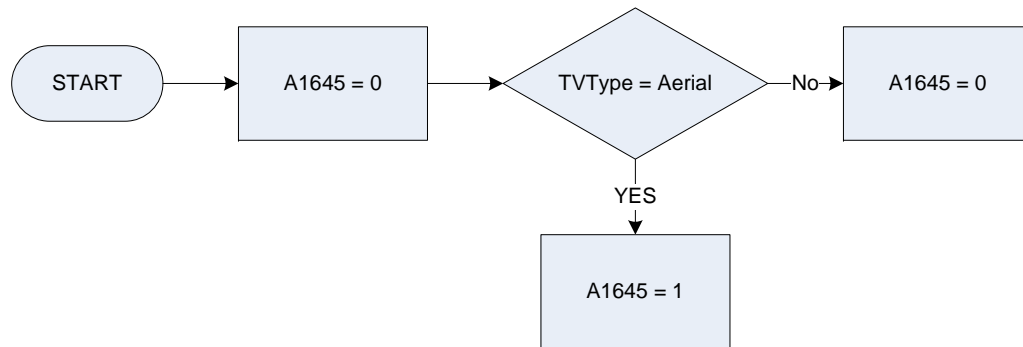
**Cable** A connection made by cable TV company

**BroadB** Through a telephone line connection / broadband

**PComp** Only from a personal computer

**DKnow** Don't know

## A1645 – TV received by aerial



### KEY

#### A1645

TV received by Aerial

**0**

*Not connected by aerial*

**1**

*Connected by aerial at present*

#### TVType

How does the respondent get television on their main set in their home?

**Aerial**

*A normal aerial on the TV set, attic or roof*

**Satell**

*A Sky satellite dish*

**Cable**

*A connection made by cable TV company*

**BroadB**

*Through a telephone line connection / broadband*

**PComp**

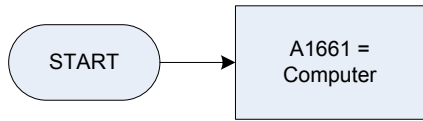
*Only from a personal computer*

**DKnow**

*Don't know*



## A1661 – Home computer in household



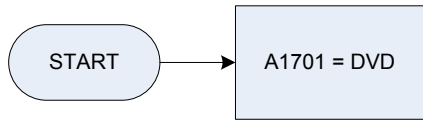
### KEY

#### Computer

Does the respondent's household have a Home computer?

- 0**      *Not recorded*
- 1**      *Home computer present*
- 2**      *No home computer*

## A1701 – DVD player in household



### KEY

**A1701**

DVD player in household

**1** Yes

**2** No

**DVD**

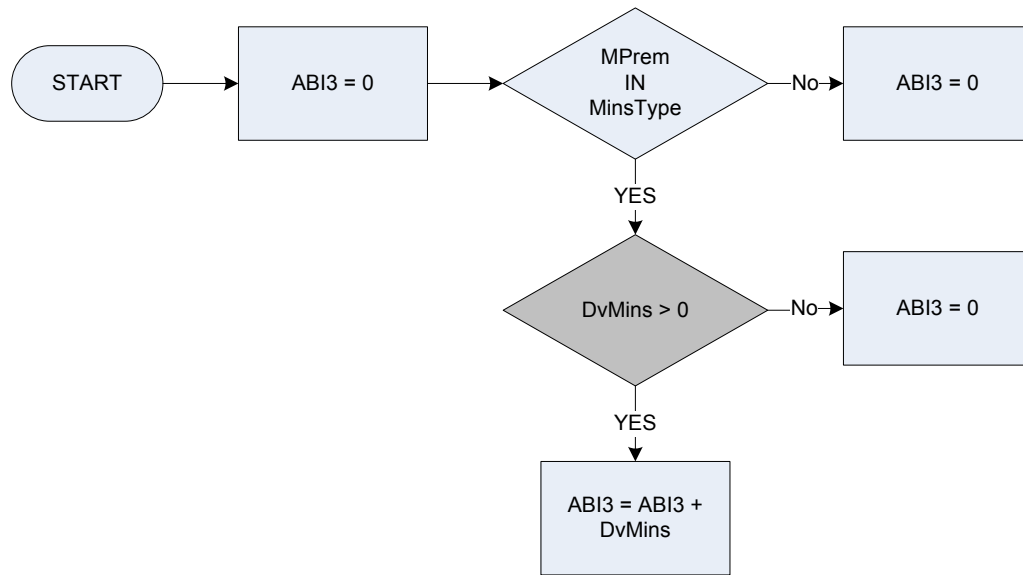
Does the respondent's household have a DVD player?

**0** *Not recorded*

**1** *DVD player present*

**2** *DVD player not present*

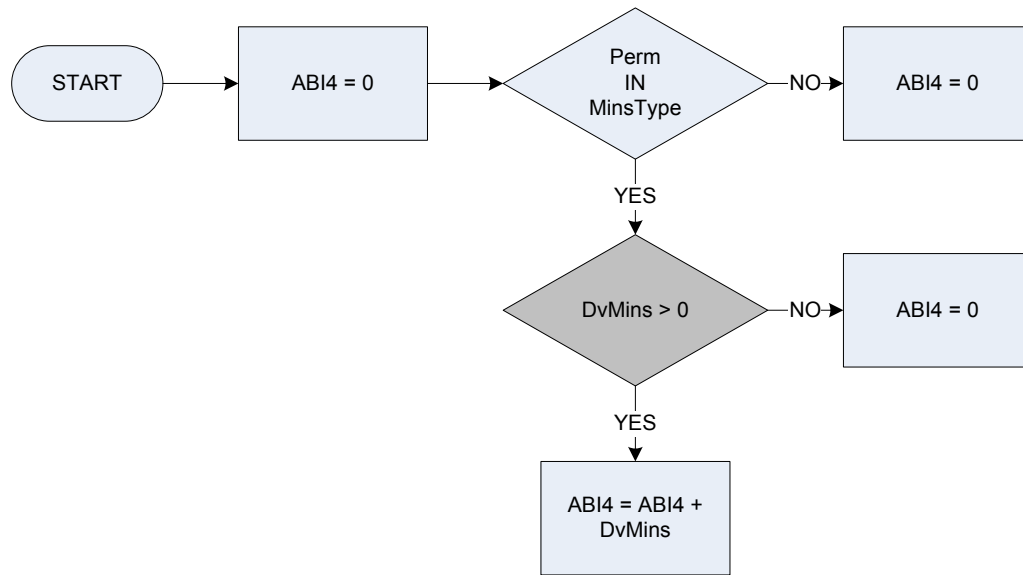
## ABI3 – Private medical insurance



### KEY

<b>DvMins</b>	Derived from MinsAmt to give a weekly amount – ( <i>MinsAmt - Other Insurance: How much was the last payment?</i> )
<b>MinsType</b>	Medical Insurance: Type of policy
<b>Mprem</b>	Private medical insurance schemes (e.g. BUPA, HCS, PPA, PPP, WPA)
<b>Perm</b>	Permanent health insurance (PHI)
<b>Other</b>	Other including personal accident, critical illness cover, friendly society sickness insurance

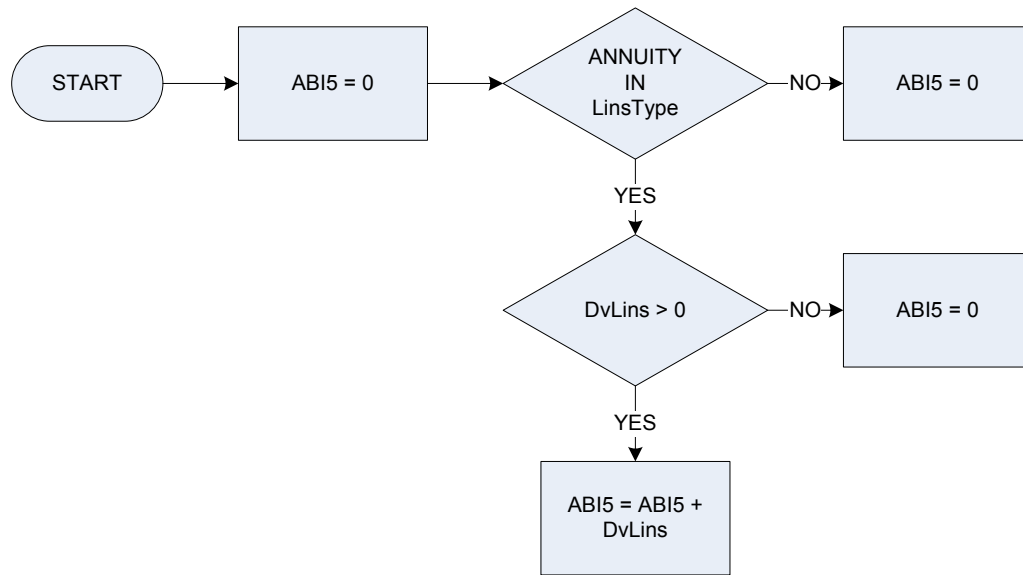
## ABI4 – Permanent Health Insurance



### KEY

<b>MinsType</b>	Medical Insurance: Type of policy
<b>Mprem</b>	Private medical insurance schemes (e.g. BUPA, HCS, PPA, PPP, WPA)
<b>Perm</b>	Permanent health insurance (PHI)
<b>Other</b>	Other including personal accident, critical illness cover, friendly society sickness insurance
<b>DvMins</b>	Derived from MinsAmt to give a weekly amount – (MinsAmt - Other Insurance: How much was the last payment?)

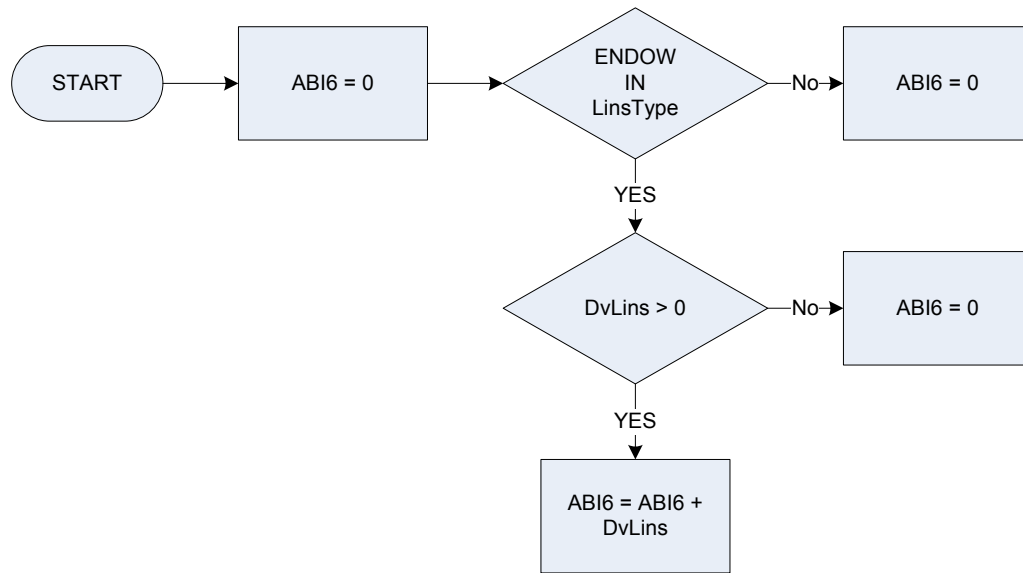
## ABI5 - Annuity



### KEY

<b>DvLins</b>	Derived from Linsamt to give a weekly amount – ( <i>Linsamt - Other Insurance: How much was the last payment?</i> )
<b>LinsType</b>	Life insurance: Type of policy
<b>Annuity</b>	Annuity
<b>Endow</b>	Endowment (including endowment savings plan)
<b>Life</b>	Life (excluding fixed term) or death
<b>Fixterm</b>	Fixed term life (including retirement policy, capital accumulation plan)
<b>Other</b>	Other

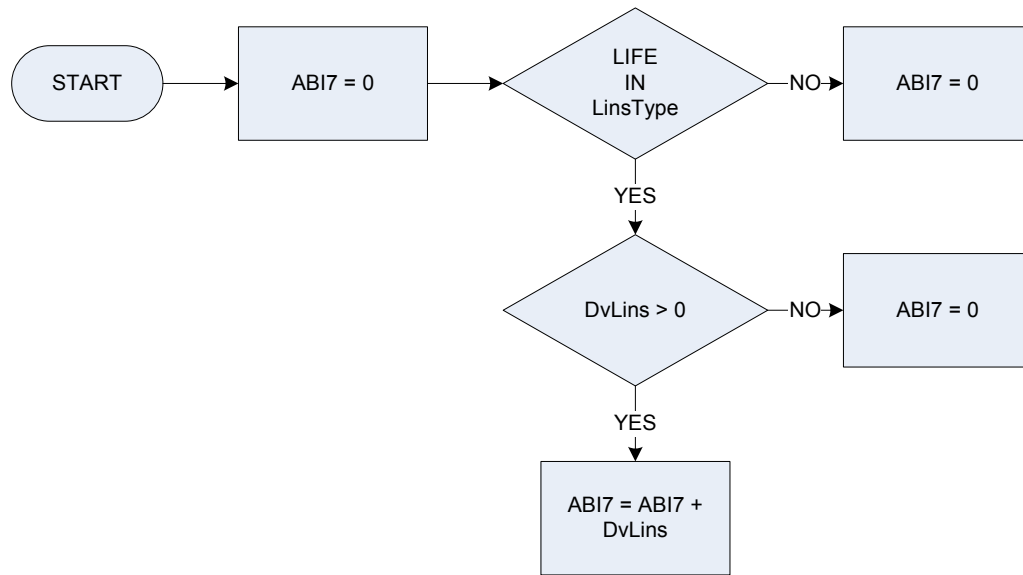
## ABI6 – Endowment (including endowment savings plan)



### KEY

<b>DvLins</b>	Derived from LinsAmt to give a weekly amount – <i>(LinsAmt - Other Insurance: How much was the last payment?)</i>
<b>LinsType</b>	Life insurance: Type of policy
<b>Annuity</b>	Annuity
<b>Endow</b>	Endowment (including endowment savings plan)
<b>Life</b>	Life (excluding fixed term) or death
<b>Fixterm</b>	Fixed term life (including retirement policy, capital accumulation plan)
<b>Other</b>	Other

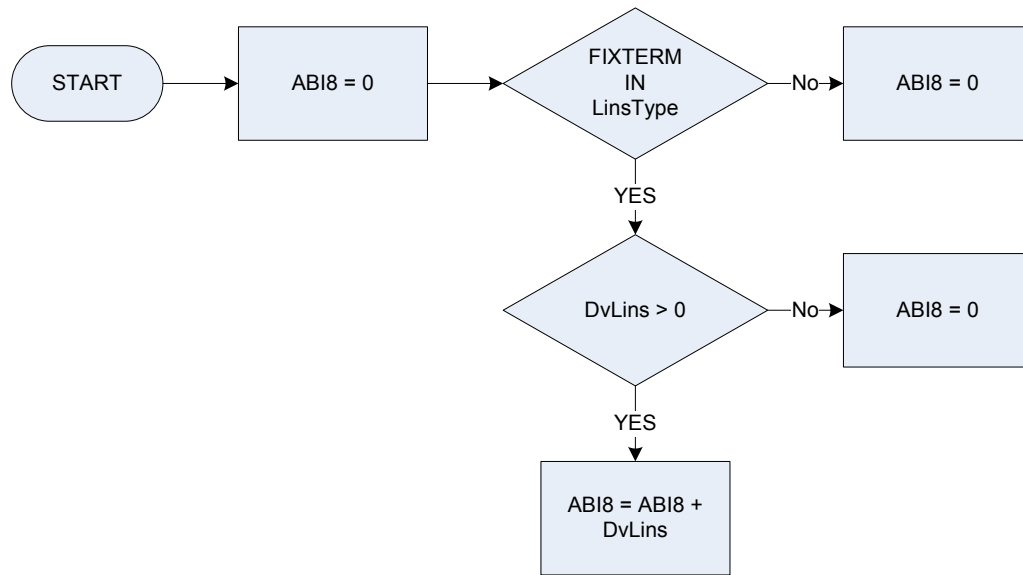
## ABI7 – Life (excluding fixed term) or death



### KEY

<b>DvLins</b>	Derived from LinsAmt to give a weekly amount – <i>(LinsAmt - Other Insurance: How much was the last payment?)</i>
<b>LinsType</b>	Life insurance: Type of policy
<b>Annuity</b>	<i>Annuity</i>
<b>Endow</b>	<i>Endowment (including endowment savings plan)</i>
<b>Life</b>	<i>Life (excluding fixed term) or death</i>
<b>Fixterm</b>	<i>Fixed term life (including retirement policy, capital accumulation plan)</i>
<b>Other</b>	<i>Other</i>

## ABI8 – Fixed term life (including retirement policy)

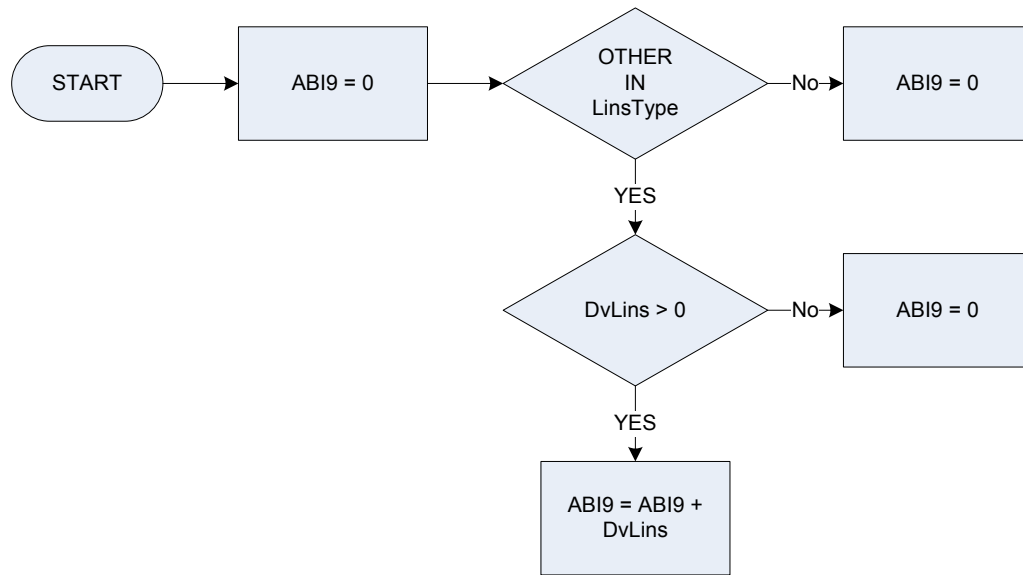


### KEY

<b>DvLins</b>	Derived from LinsAmt to give a weekly amount – <i>(LinsAmt - Other Insurance: How much was the last payment?)</i>
<b>LinsType</b>	Life insurance: Type of policy
<b>Annuity</b>	<i>Annuity</i>
<b>Endow</b>	<i>Endowment (including endowment savings plan)</i>
<b>Life</b>	<i>Life (excluding fixed term) or death</i>
<b>Fixterm</b>	<i>Fixed term life (including retirement policy, capital accumulation plan)</i>
<b>Other</b>	<i>Other</i>



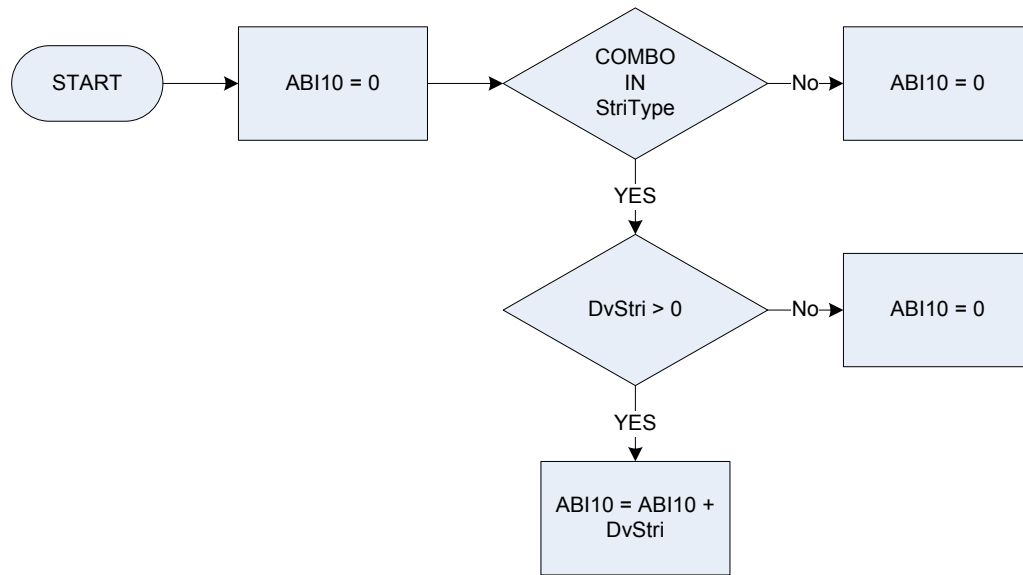
## ABI9 – Other life insurance



### KEY

<b>DvLins</b>	Derived from LinsAmt to give a weekly amount – <i>(LinsAmt - Other Insurance: How much was the last payment?)</i>
<b>LinsType</b>	Life insurance: Type of policy
<b>Annuity</b>	<i>Annuity</i>
<b>Endow</b>	<i>Endowment (including endowment savings plan)</i>
<b>Life</b>	<i>Life (excluding fixed term) or death</i>
<b>Fixterm</b>	<i>Fixed term life (including retirement policy, capital accumulation plan)</i>
<b>Other</b>	<i>Other</i>

## ABI10 – Combined contents and structural insurance only



### KEY

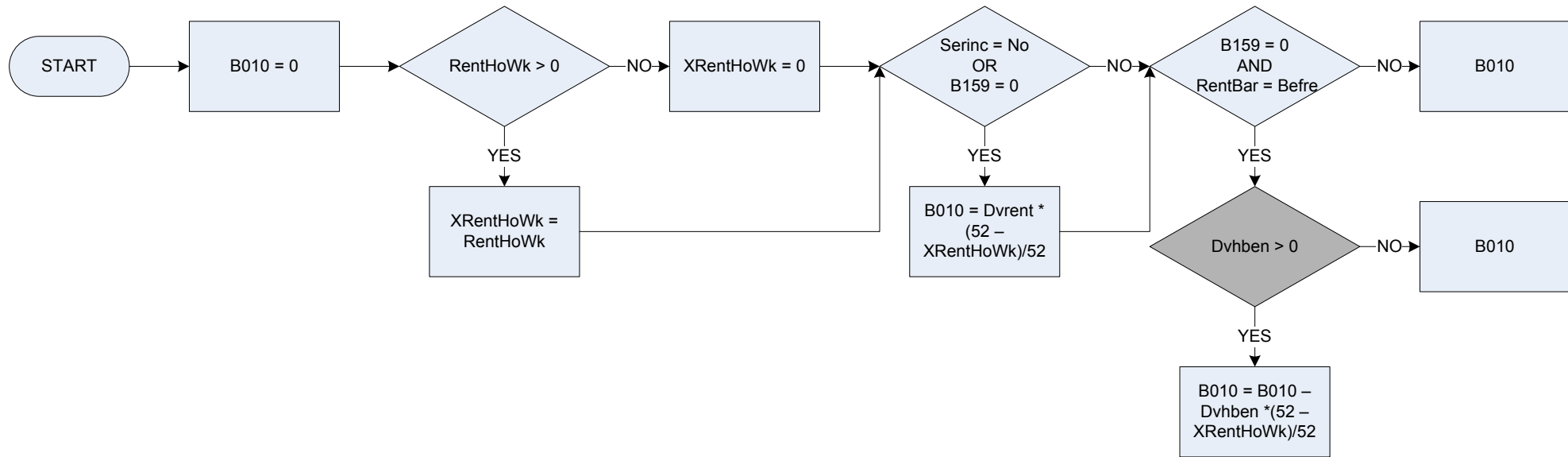
**DvStri**  
**StriType**

Derived from StriPrem to give a weekly amount – (*StriPrem - Structural Insurance: How much was the last premium?*)

Structural insurance: are the payments for...

**Stronly**            Structure only  
**Combo**            Structure combined with furniture and contents and/or personal possessions  
**Peronly**            Furniture and contents and/or personal possessions

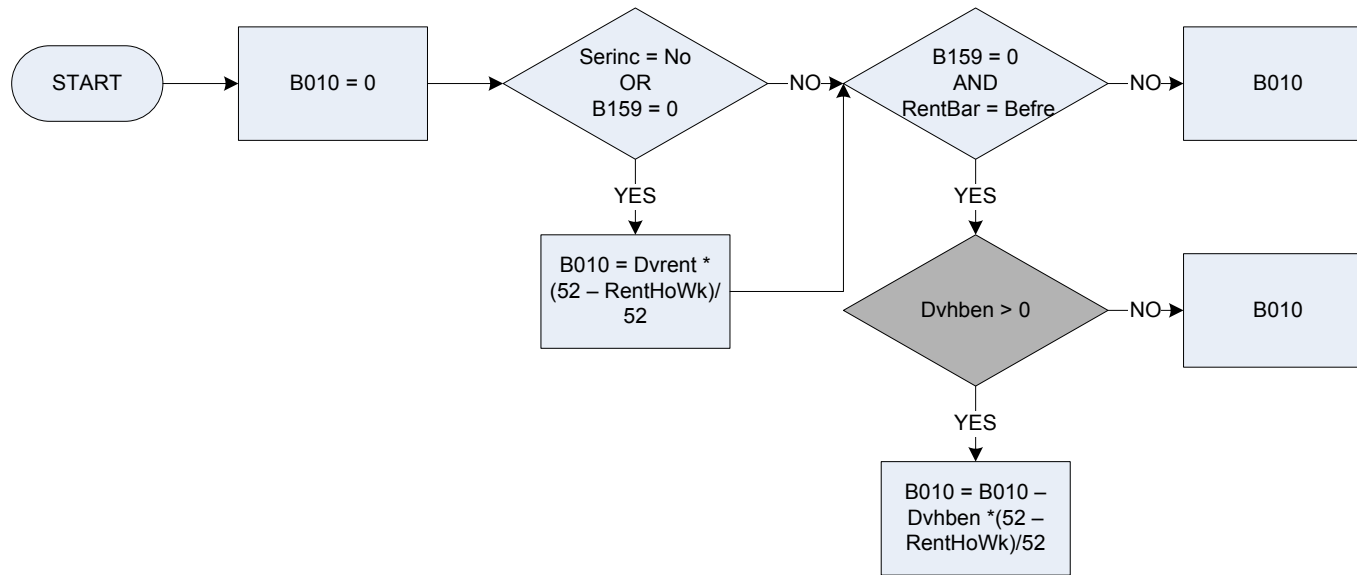
## B010 – Rent/rates – last net payment



### KEY

- B159** Service charge included in rent – amount
- Dvhben** Derived from HBen to give a weekly amount – (*HBen – Housing Benefit: Does the respondent or anyone else in their household receive Housing Benefit either directly or by having it paid to their landlord on their behalf?*)
- Dvrent** Derived from RentAmt to give a weekly amount – (*RentAmt – Rent: How much rent did the respondent's household actually pay last time it was due, after deducting any Housing Benefit (rent rebate)?*)
- RentBar** Was the respondent's last rent payment before or after the Housing Benefit (rent rebate) was deducted?  
 1 Before  
 2 After
- RentHoWk** For how many weeks a year does the respondent have a rent holiday?
- Serinc** Does the rent which the respondent mentioned include any services such as the ones shown on card C1 (e.g. Heating, Lighting, Hot water)?  
 1 Yes  
 2 No

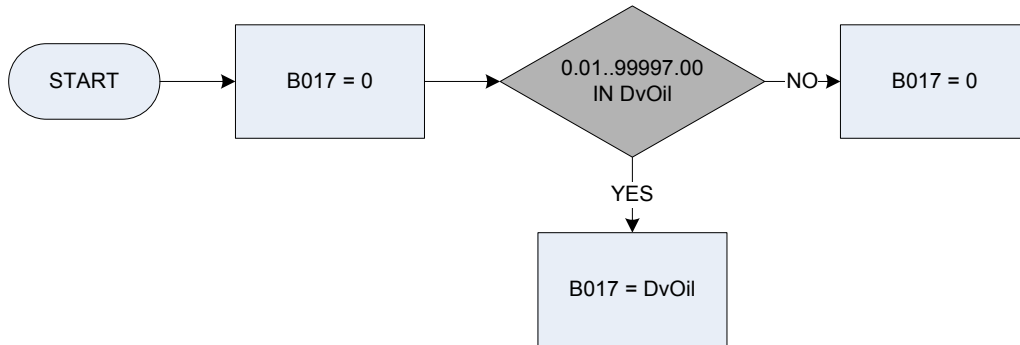
## B010 – Rent/rates – last net payment



### KEY

<b>B159</b>	Service charge included in rent – amount
<b>Dvhben</b>	Derived from HBen to give a weekly amount – ( <i>HBen – Housing Benefit: Does the respondent or anyone else in their household receive Housing Benefit either directly or by having it paid to their landlord on their behalf?</i> )
<b>Dvrent</b>	Derived from RentAmt to give a weekly amount – ( <i>RentAmt – Rent: How much rent did the respondent's household actually pay last time it was due, after deducting any Housing Benefit (rent rebate)?</i> )
<b>RentBar</b>	Was the respondent's last rent payment before or after the Housing Benefit (rent rebate) was deducted? <ol style="list-style-type: none"> <li>1 Before</li> <li>2 After</li> </ol>
<b>RentHoWk</b>	For how many weeks a year does the respondent have a rent holiday?
<b>Serinc</b>	Does the rent which the respondent mentioned include any services such as the ones shown on card C1 (e.g. heating, lighting, hot water)? <ol style="list-style-type: none"> <li>1 Yes</li> <li>2 No</li> </ol>

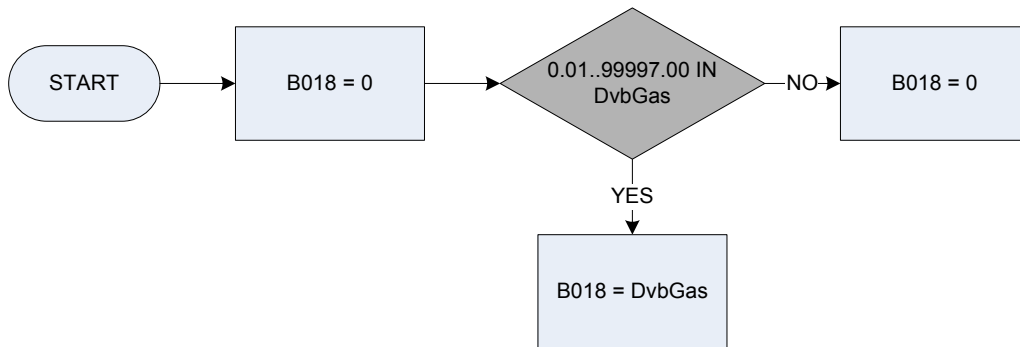
## B017 – Oil for central heating cost last quarter



### KEY

**DvOil** Derived from OilAmt to give a weekly amount – (OilAmt – Central Heating: What was the total expenditure on oil in the last 3 months?)

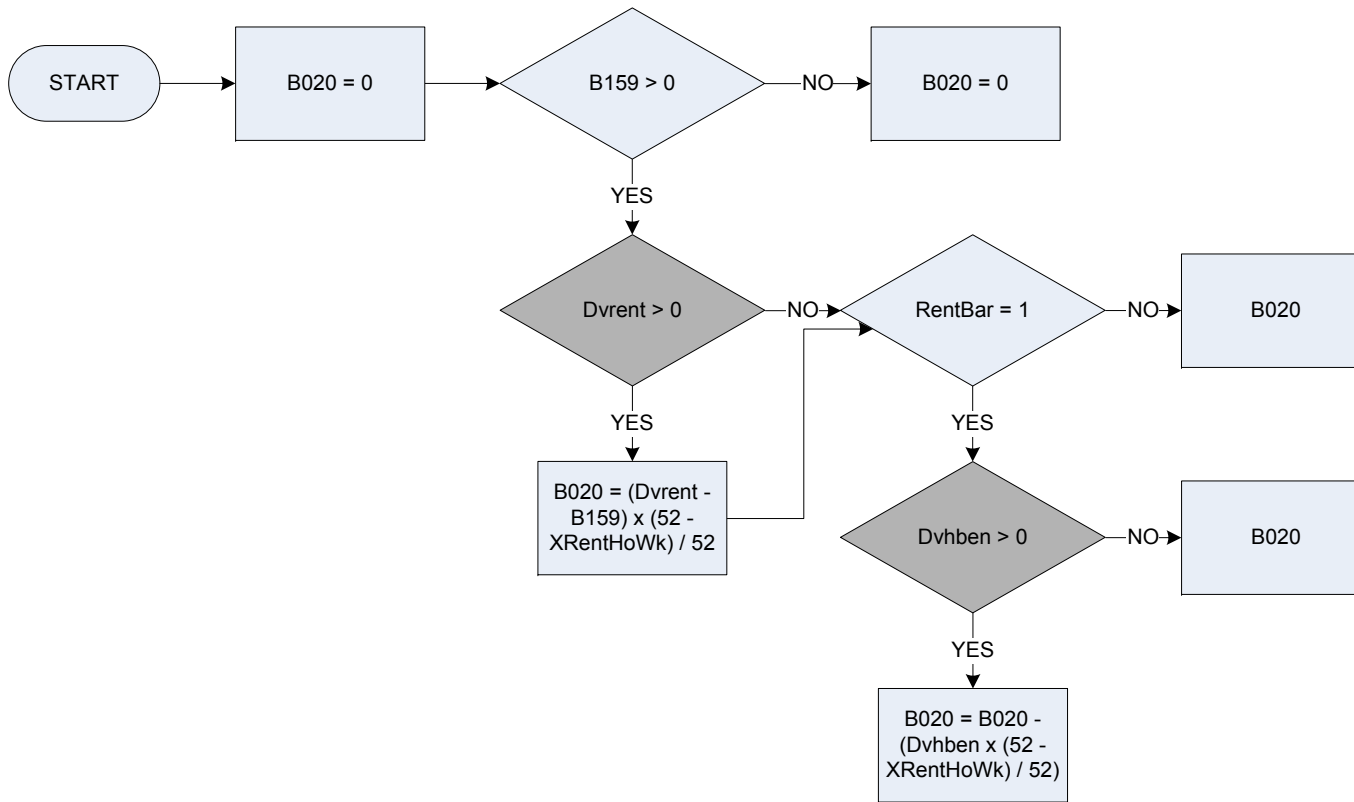
## B018 – Bottled gas for central heating - amount



### KEY

**DvbGas** Derived from BGasAmt to give a weekly amount – (*BGasAmt – Central Heating: What was the total expenditure on bottled gas in the last 3 months?*)

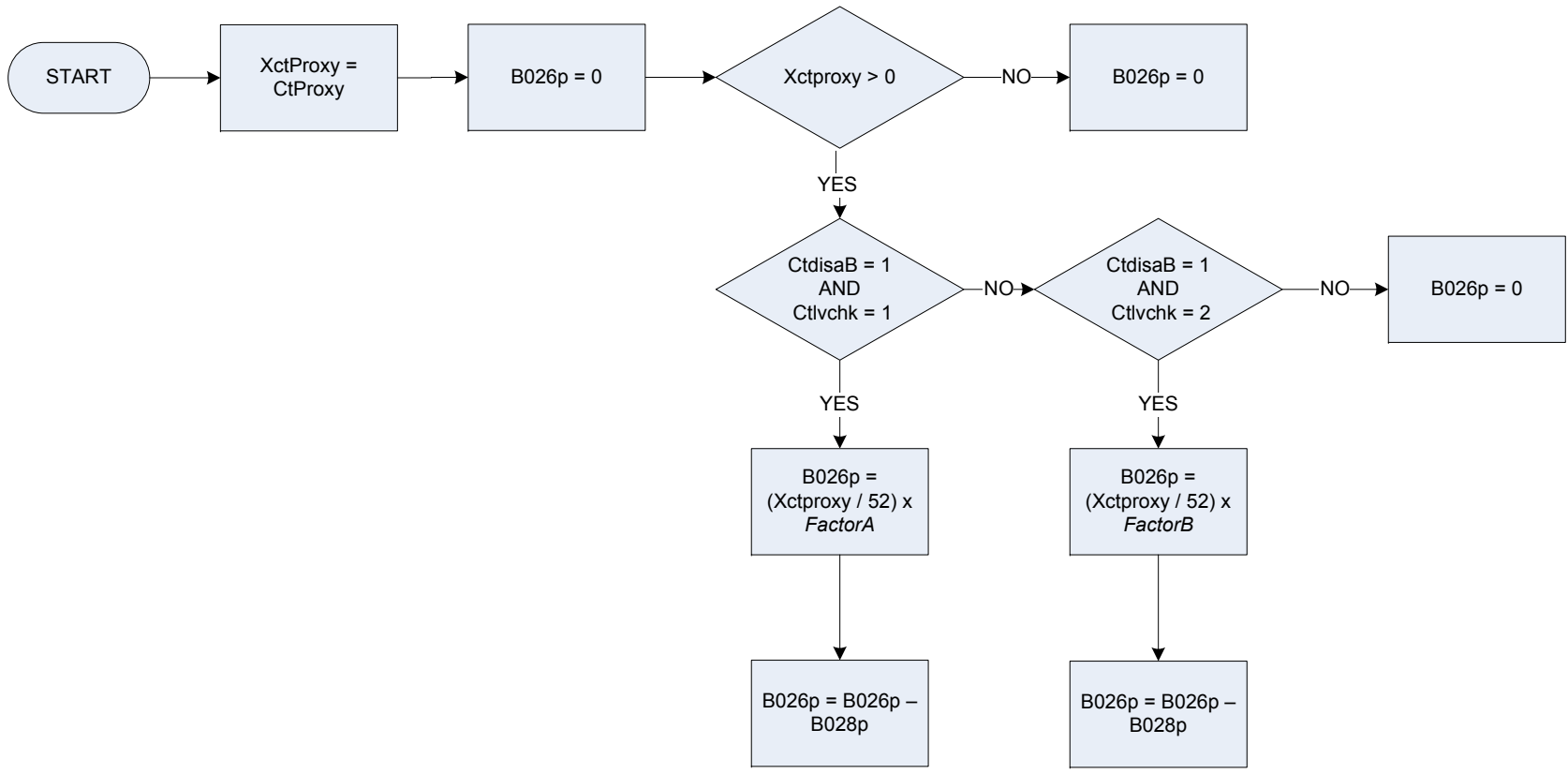
## B020 – Net rent – service charge deducted



### KEY

- B159** Service charge included in rent (amount)
- Dvhben** Derived from HBen (Does the respondent or anyone else in their household receive Housing Benefit either directly or by having it paid to their landlord on their behalf?)
- Dvrent** Derived from RentAmt (How much rent did the respondent's household actually pay last time it was due, after deducting any Housing Benefit (rent rebate)?)
- RentHoWk** For how many weeks a year does the respondent have a rent holiday?
- RentBar** Was the respondent's last rent payment before or after the Housing Benefit was deducted?
- 1 "Before"
- 2 "After"

## B026p – Council tax – amount of discount for disabled (anonymised)



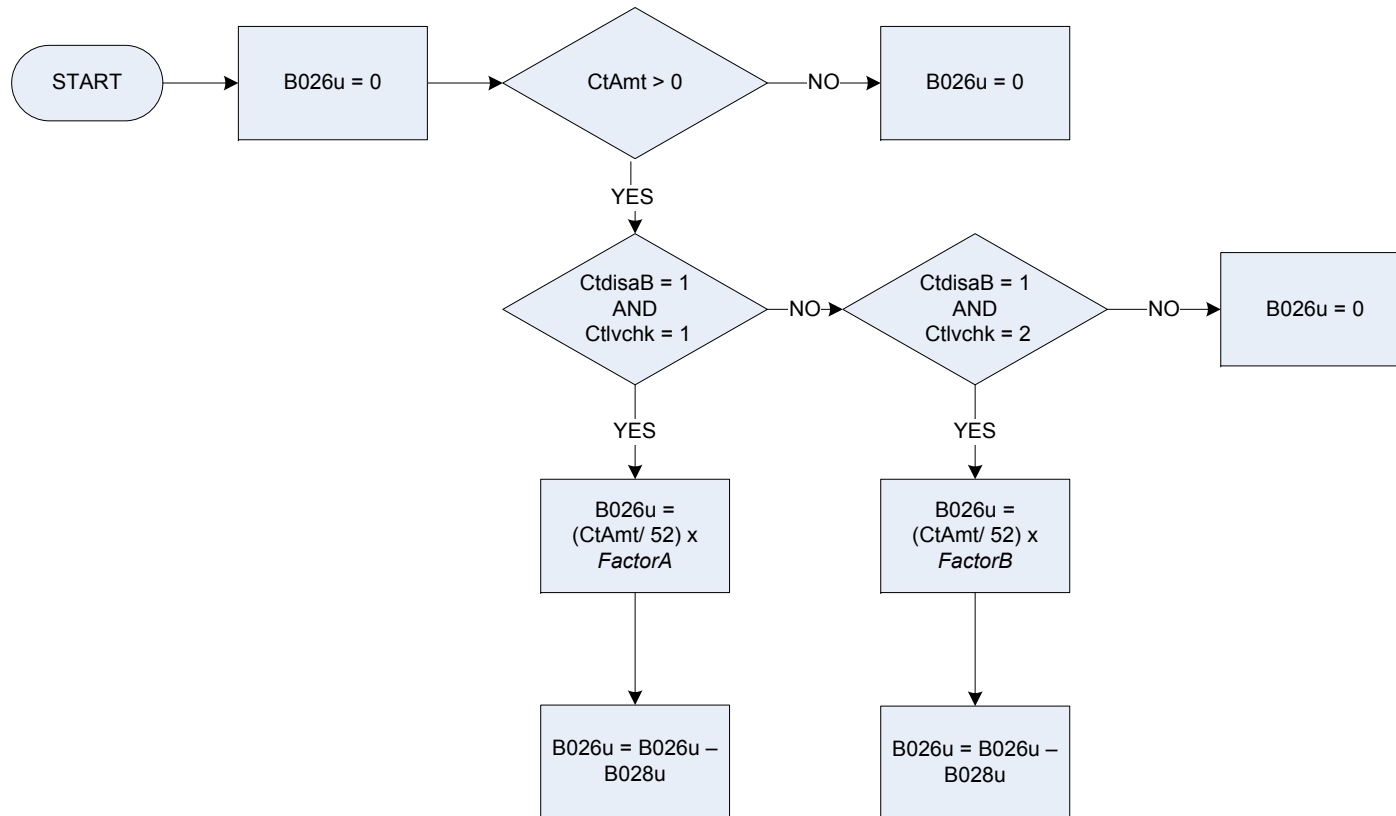
**KEY**

- B028p** Council tax - gross weekly amount payable
- Ctband** Council Tax Band
- Ctdisab** Was council tax bill reduced to a lower band because there is a disabled person in the household?  
 1 Yes  
 2 No
- Ctlvchk** Is Council Tax amount after reduction, or before it?  
 1 Before  
 2 After
- Ctproxy** Anonymised Council Tax amount
- Xctproxy** Temporary variable used for calculations: Anonymised Council Tax amount

COUNCIL TAX MULTIPLYING FACTORS		
Council Tax Band	FactorA	FactorB
Band A	6/6	7/6
Band B	7/6	8/6
Band C	8/6	9/6
Band D	9/6	11/6
Band E	11/6	13/6
Band F	13/6	15/6
Band G	15/6	18/6
Band H	18/6	21/6
Band I	21/6	NA



## B026u – Council tax – amount of discount for disabled



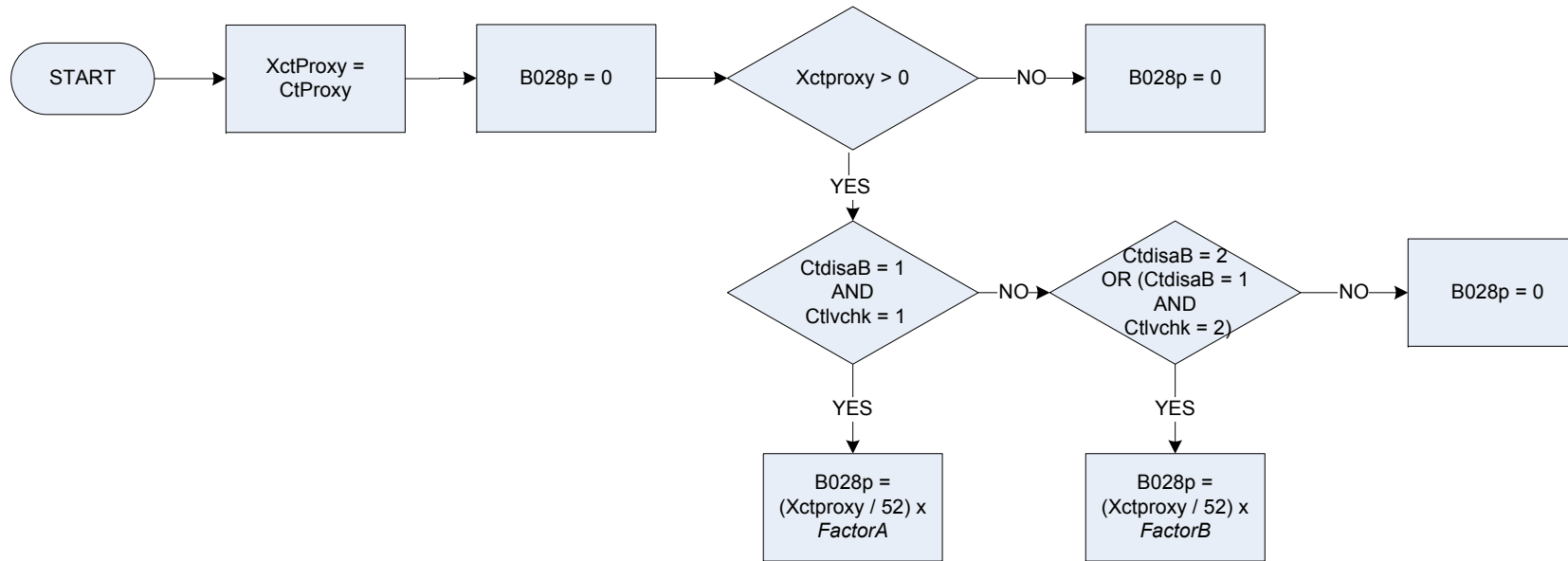
### KEY

<b>B028u</b>	Council tax - gross weekly amount payable
<b>CtAmt</b>	Council Tax amount paid last time
<b>Ctband</b>	Council Tax Band
<b>Ctdisab</b>	Was Council Tax bill reduced to a lower band because there is a disabled person in the household?
	1 Yes
	2 No
<b>Ctlvchk</b>	Is Council Tax amount after reduction, or before it?
	1 Before
	2 After

### COUNCIL TAX MULTIPLYING FACTORS

Council Tax Band	FactorA	FactorB
Band A	6/6	7/6
Band B	7/6	8/6
Band C	8/6	9/6
Band D	9/6	11/6
Band E	11/6	13/6
Band F	13/6	15/6
Band G	15/6	18/6
Band H	18/6	21/6
Band I	21/6	NA

## B028p – Council tax – gross weekly amount payable - anonymised

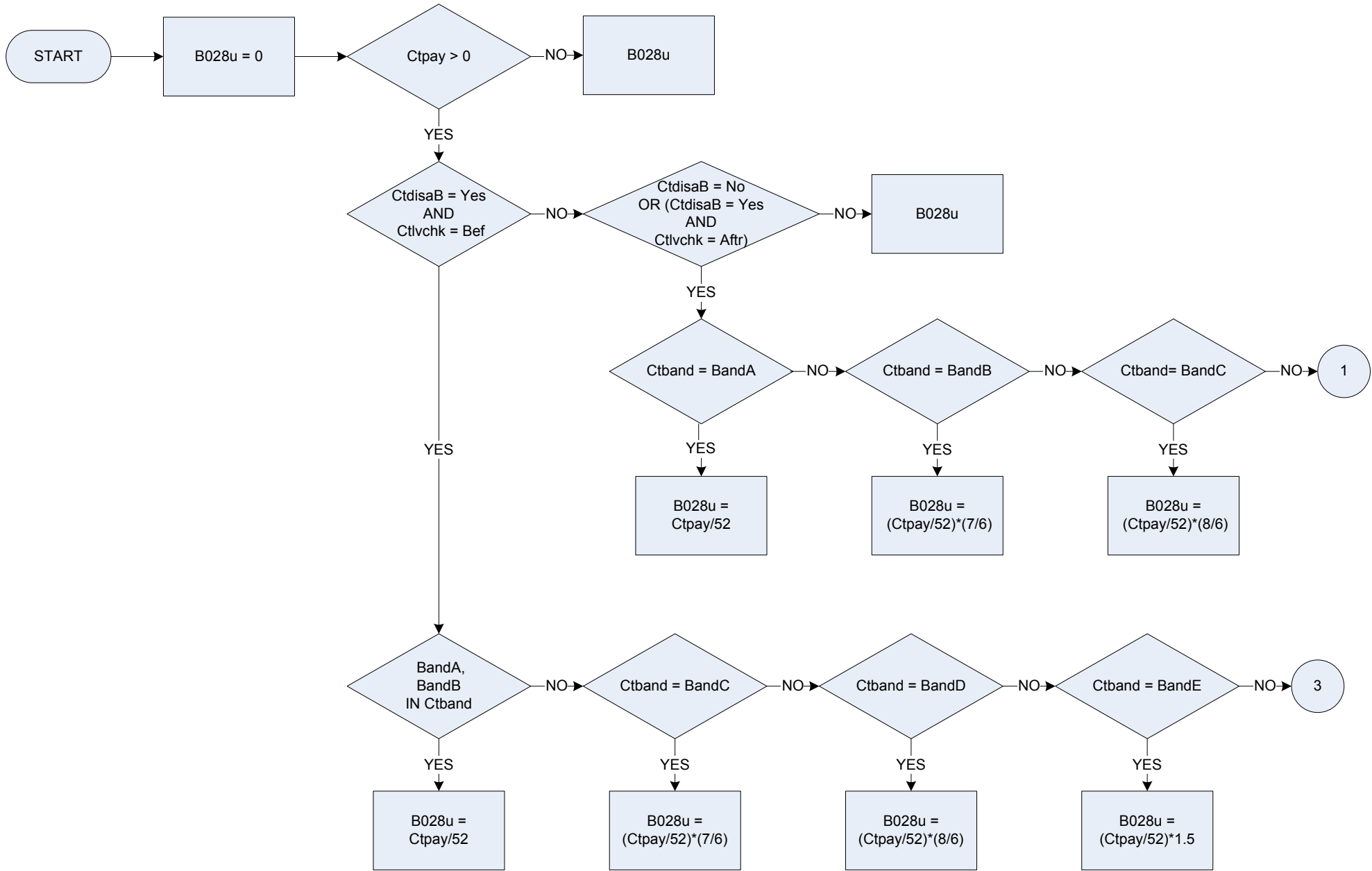


### KEY

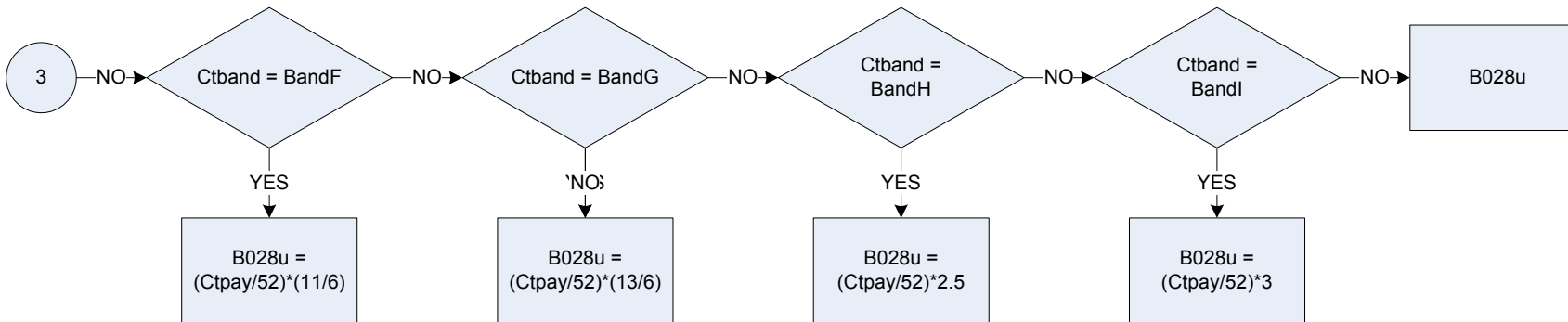
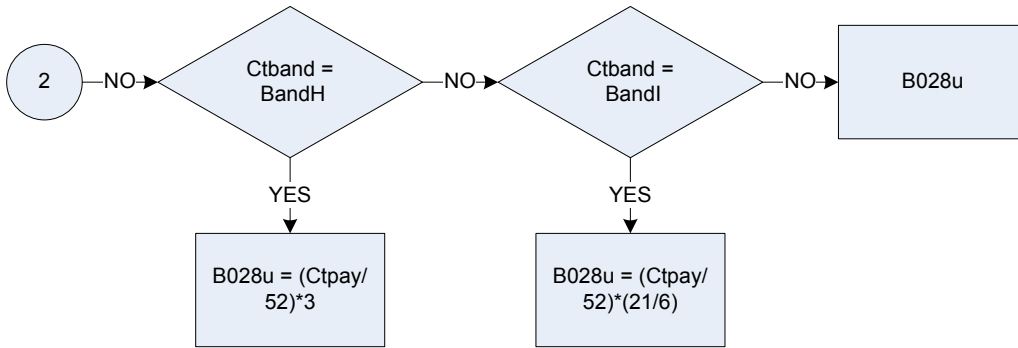
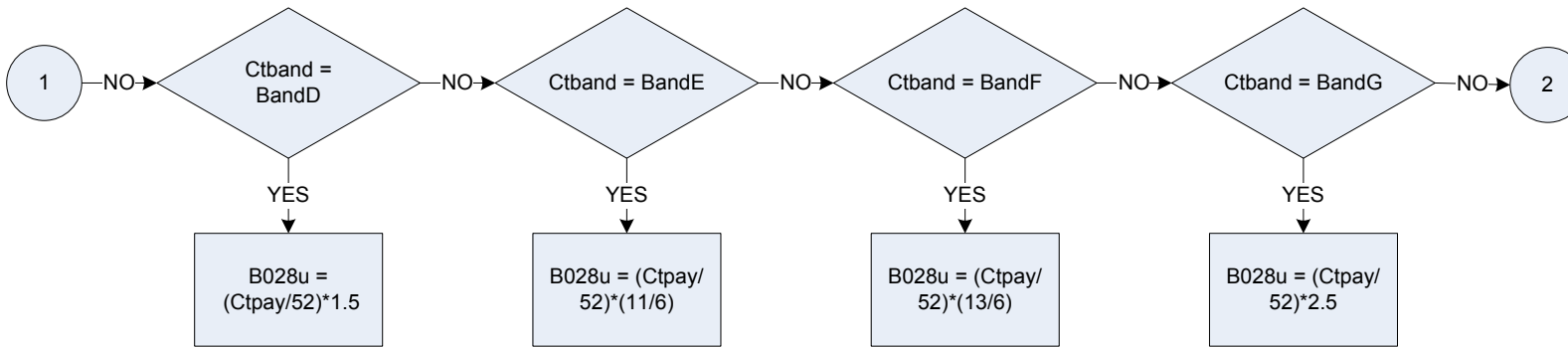
<b>Ctband</b>	Council Tax Band
<b>Ctdisab</b>	Was council tax bill reduced to a lower band because there is a disabled person in the household? <b>1</b> Yes <b>2</b> No
<b>Ctlvchk</b>	Is Council Tax amount after reduction, or before it? <b>1</b> Before <b>2</b> After
<b>Ctproxy</b>	Anonymised Council Tax amount
<b>XCtproxy</b>	Temporary variable used for calculations: Anonymised Council Tax amount

COUNCIL TAX MULTIPLYING FACTORS		
Council Tax Band	FactorA	FactorB
Band A	6/6	6/6
Band B	6/6	7/6
Band C	7/6	8/6
Band D	8/6	9/6
Band E	9/6	11/6
Band F	11/6	13/6
Band G	13/6	15/6
Band H	15/6	18/6
Band I	18/6	21/6

# B028u – Council tax – gross weekly amount payable



**B028u – Council tax – gross weekly amount payable**

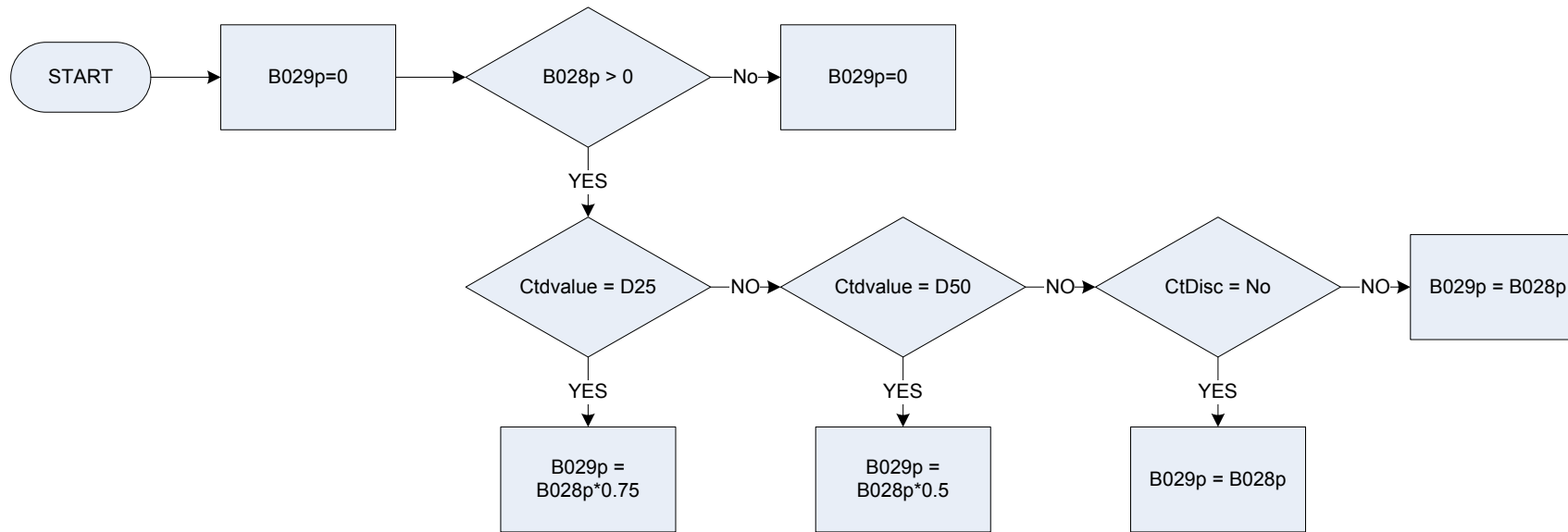


## B028u – Council tax – gross weekly amount payable

### KEY

<b>Ctband</b>	Which Council Tax band is the accommodation is in? <b>BandA</b> <i>Band A</i> <b>BandB</b> <i>Band B</i> <b>BandC</b> <i>Band C</i> <b>BandD</b> <i>Band D</i> <b>BandE</b> <i>Band E</i> <b>BandF</b> <i>Band F</i> <b>BandG</b> <i>Band G</i> <b>BandH</b> <i>Band H</i> <b>BandI</b> <i>Band I</i> <b>NotApp</b> <i>Household accommodation not valued separately</i>
<b>CtdisaB</b>	Was the respondent's council tax bill reduced to a lower band because there is a disabled person in their household? <b>1</b> <i>Yes</i> <b>2</b> <i>No</i>
<b>Ctlvchk</b>	Is that the band.., after this lower valuation or before it? <b>Aftr</b> <i>after this lower valuation</i> <b>Bef</b> <i>or before it?</i>
<b>Ctpay</b>	Council tax, Band A - England, Wales and Scotland only

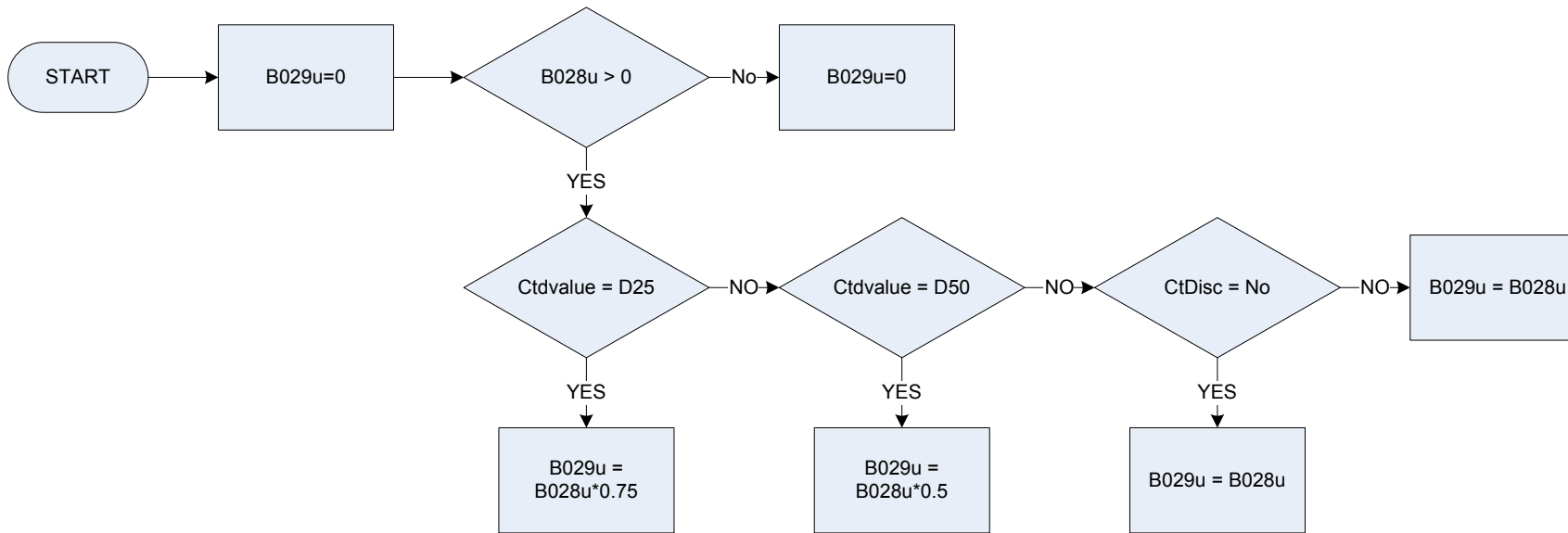
## B029p – Council tax payable after status discount



### KEY

<b>B028p</b>	Council tax – gross weekly amount payable
<b>CTDisc</b>	Was the respondent allowed a status discount of 25% or 50% for any of the reasons shown on this card? The general council tax assumes two adults per household. If only one adult at address, the bill will be reduced by one quarter. Some other adults are disregarded when working out the personal component of the tax. These are <b>a severely mentally impaired person</b> <b>a person aged 18 or over who is still at school</b> <b>a student</b> <b>Student nurses</b> <b>Apprentices</b> <b>YT trainees</b> <b>Care workers</b>
<b>CTDvalue</b>	If the household includes one or more such adults and one other adult who is not in these groups, a 25% discount will apply. If the household is comprised exclusively such adults, a 50% discount will apply. This will be rare. Was the respondent allowed: a 25% discount; or a 50% discount? <b>D25</b> a 25% discount <b>D50</b> or a 50% discount?

## B029u – Council tax payable after status discount



### KEY

**B029u**  
**CTDisc**

Council tax – gross weekly amount payable

Was the respondent allowed a status discount of 25% or 50% for any of the reasons shown on this card?

The general council tax assumes two adults per household. If only one adult at address, the bill will be reduced by one quarter.

Some other adults are disregarded when working out the personal component of the tax. These are:

**a severely mentally impaired person**

**a person aged 18 or over who is still at school**

**a student**

**Student nurses**

**Apprentices**

**YT trainees**

**Care workers**

If the household includes one or more such adults and one other adult who is not in these groups, a 25% discount will apply. If the household is comprised exclusively such adults, a 50% discount will apply. This will be rare.

Probe situations where informants say that they have been allowed a status discount but where it appears that a discount will not apply.

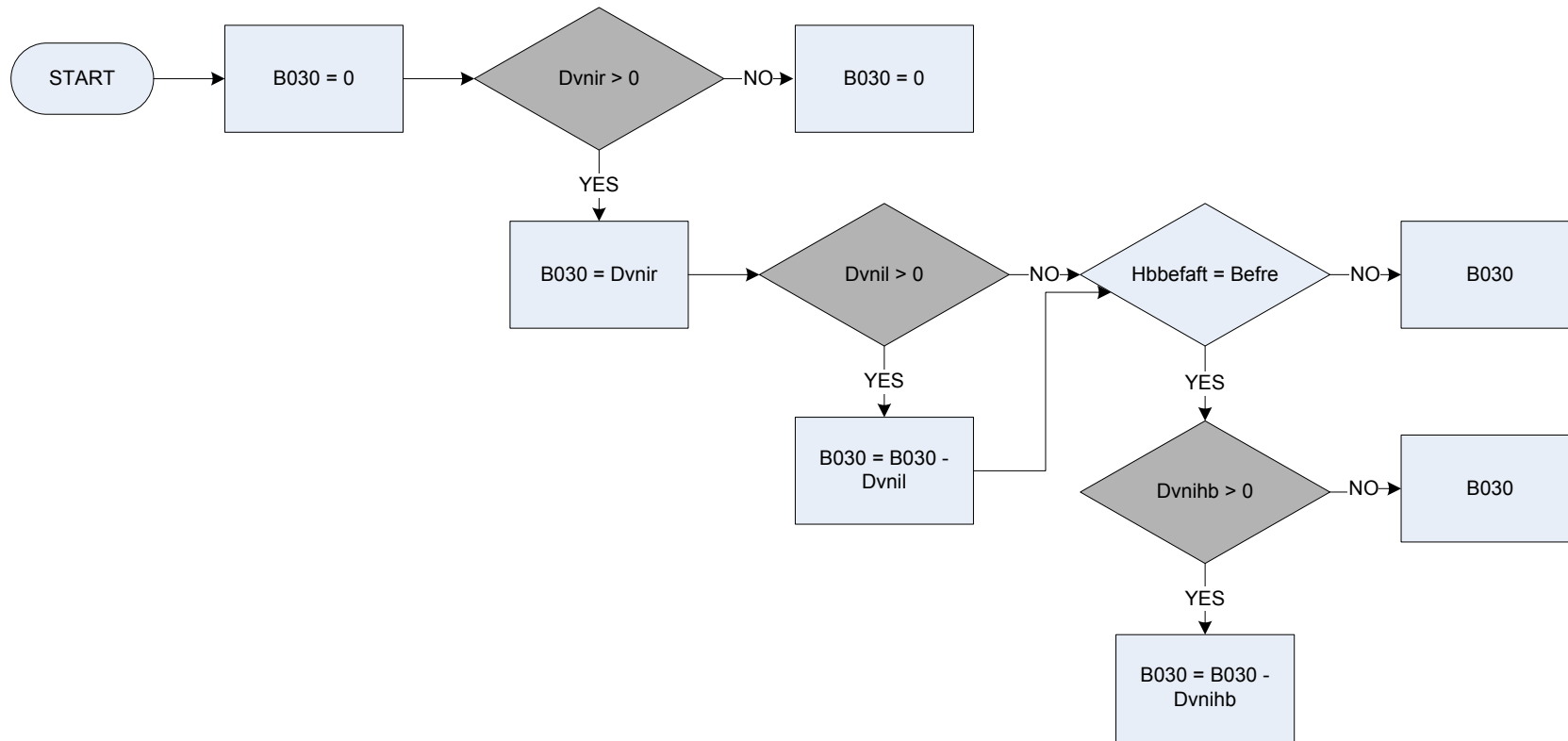
**CTDval**

Was the respondent allowed: a 25% discount; or a 50% discount?

**D25** 25% discount

**D50** 50% discount?

## B030 – Domestic rates – last net payment



### KEY

**Dvnihb**

Derived from RateDed to give a weekly amount – (RateDed - Northern Ireland Rates: How much was deducted?)

**Dvnil**

Derived from HbLAmt to give a weekly amount – (HbLAmt - Northern Ireland Rates: How much has the respondent received in lump sum rates rebates in the last 12 months?)

**Dvnir**

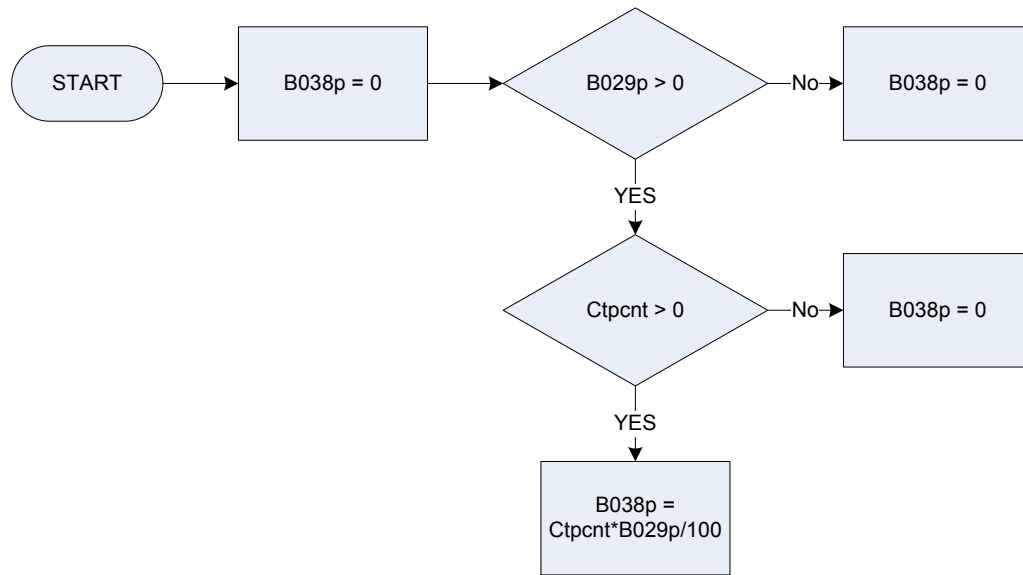
Derived from PayRAmt to give a weekly amount – (PayRAmt - Northern Ireland Rates: How much did the respondent pay last time?)

**Hbbefaft**

Was the amount the respondent paid last time in rates before or after deduction of the rates rebate?



## B038p – Council tax – last payment weekly amount

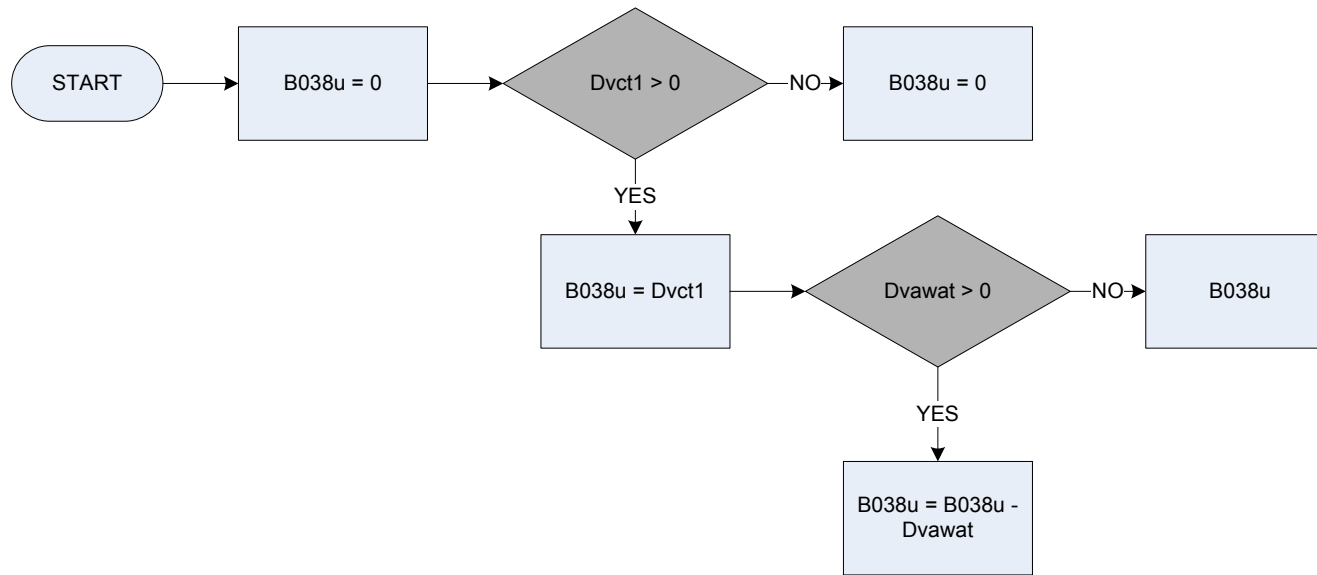


### KEY

**B029p**  
**Ctpcnt**

Council tax payable after status discount  
Amount paid as percentage of amount due

## B038u – Council tax – last payment weekly amount



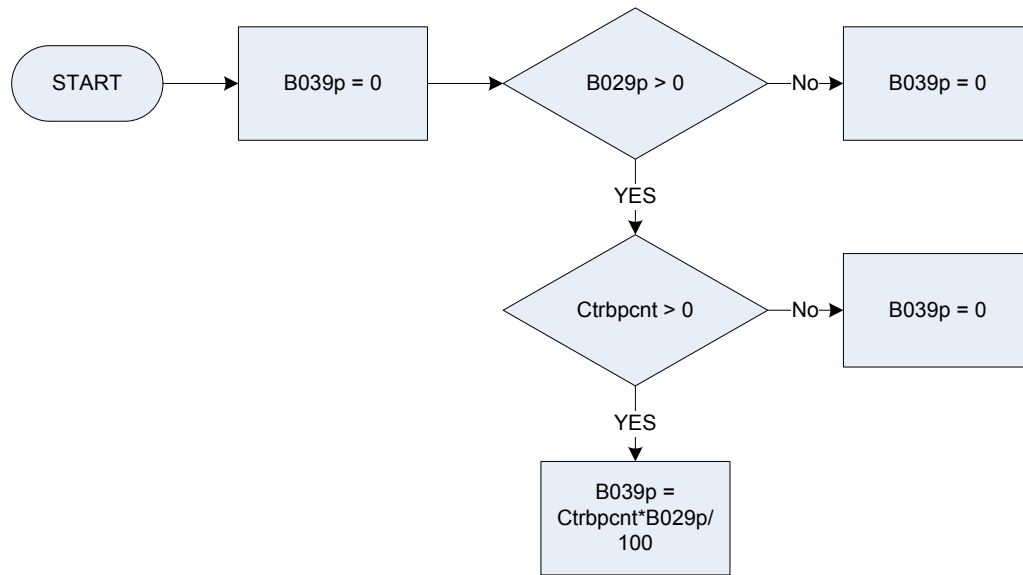
### KEY

**Dvawat**  
**Dvct1**

Derived from CTWat to give a weekly amount – (CTWat – Council Tax: How much was included in the last council tax payment for council water charge?)

Derived from CTAmt to give a weekly amount – (CTAmt - Council Tax: How much council tax did the respondent actually pay last time, after deducting any discounts or benefits?) 474

## B039p – Council tax – amount of benefit/rebate weekly amount

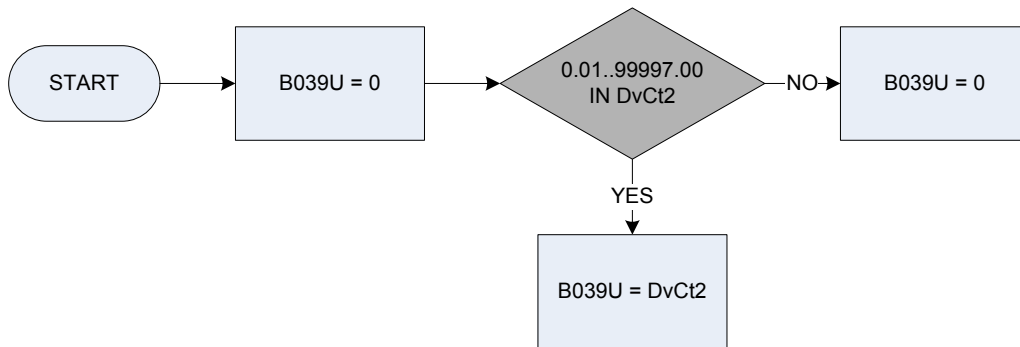


### KEY

**B029p**  
**Ctrbpnt**

Council tax payable after status discount  
Rebate received as percentage of amount due

**B039u – Council tax – amount of benefit/rebate weekly amount**

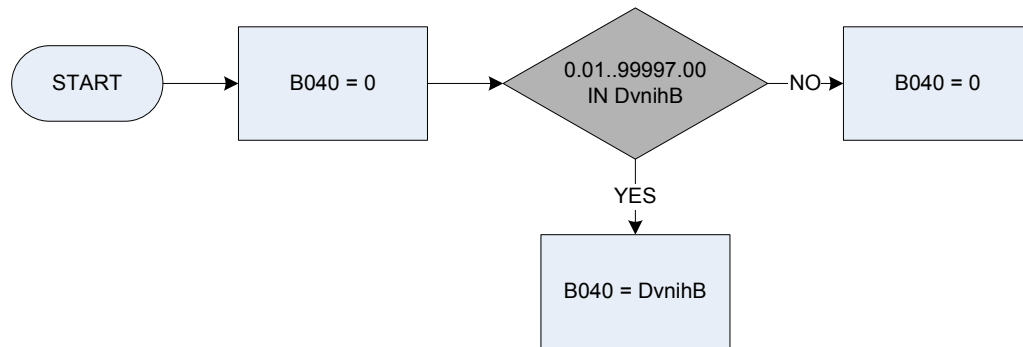


**KEY**

**DvCt2**

Derived from CTRebAmt to give a weekly amount – (CTRebAmt – Council Tax: How much rebate was allowed?)

## B040 – Rates rebate deducted from last rates\rent - amount

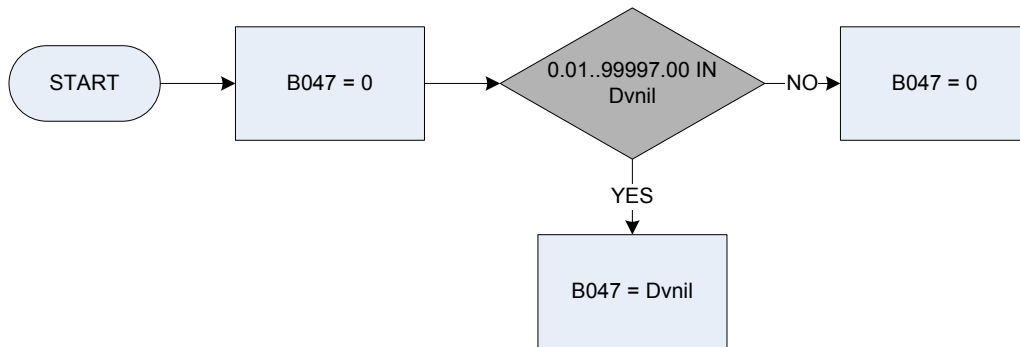


### KEY

**DvniHB**

Derived from RateDed to give a weekly amount – (*RateDed – Northern Ireland Rates: How much was deducted?*)

## B047 – Rates rebate - lump sum refunds last year

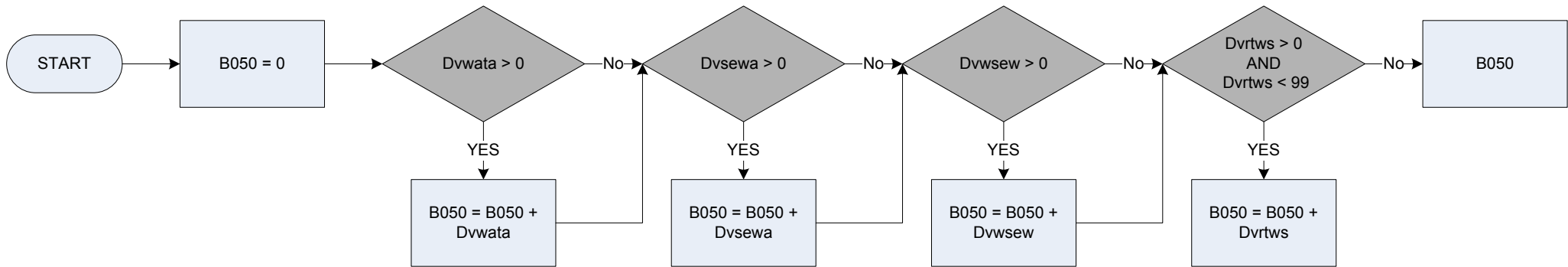


### KEY

Dvnil

Derived from HblAmt to give a weekly amount – (*HblAmt - Northern Ireland Rates: How much has the respondent received in lump sum rates rebates in the last 12 months?*)

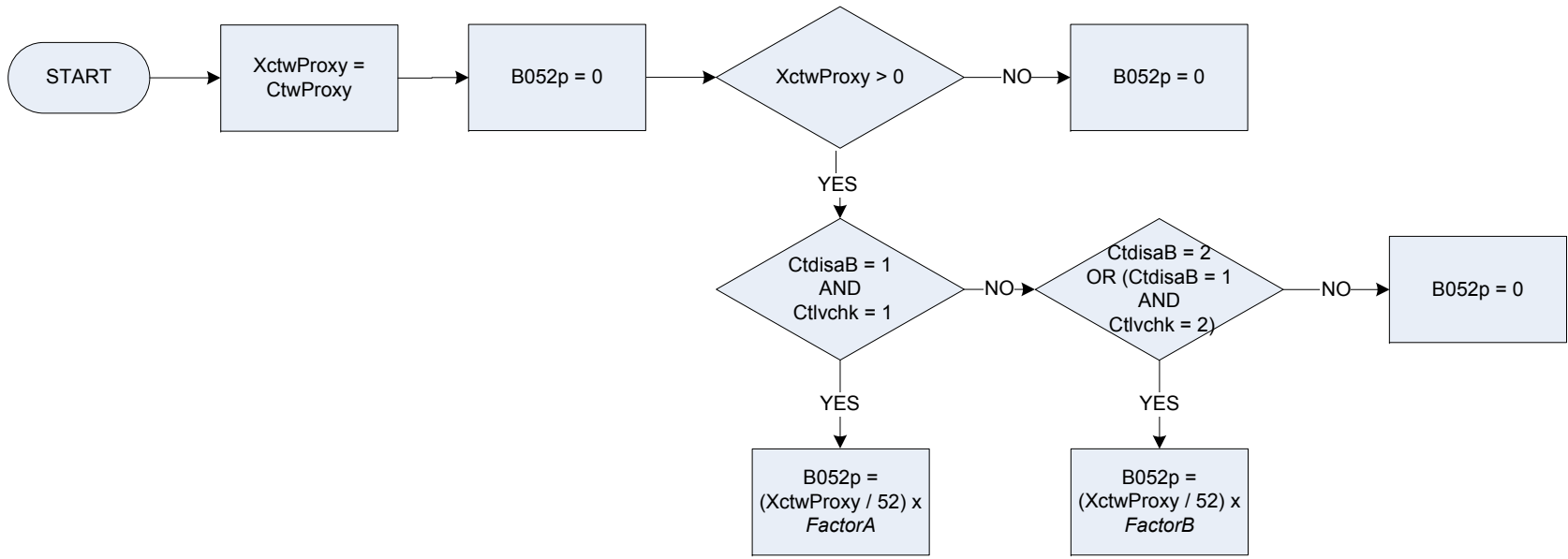
## B050 – Water charges – last net payment



### KEY

- Dvrtws** Derived from WsincAmt to give a weekly amount - (*WsincAmt – Rent: How much was included for water/sewerage in the amount mentioned?*)
- Dvsewa** Derived from SewAmt to give a weekly amount - (*SewAmt – Sewerage/Water Rates: How much did the respondent actually pay last time for sewerage rates/charges?*)
- Dvwata** Derived from WatAmt to give a weekly amount - (*WatAmt – Water Rates: How much did the respondent actually pay last time for water rates?*)
- Dvwsew** Derived from WsewAmt to give a weekly amount - (*WsewAmt – Sewerage/Water Rates: How much did the respondent actually pay last time for sewerage/water rates?*)

**B052p – Council water tax - basic weekly amount payable - anonymised (Scotland only)**



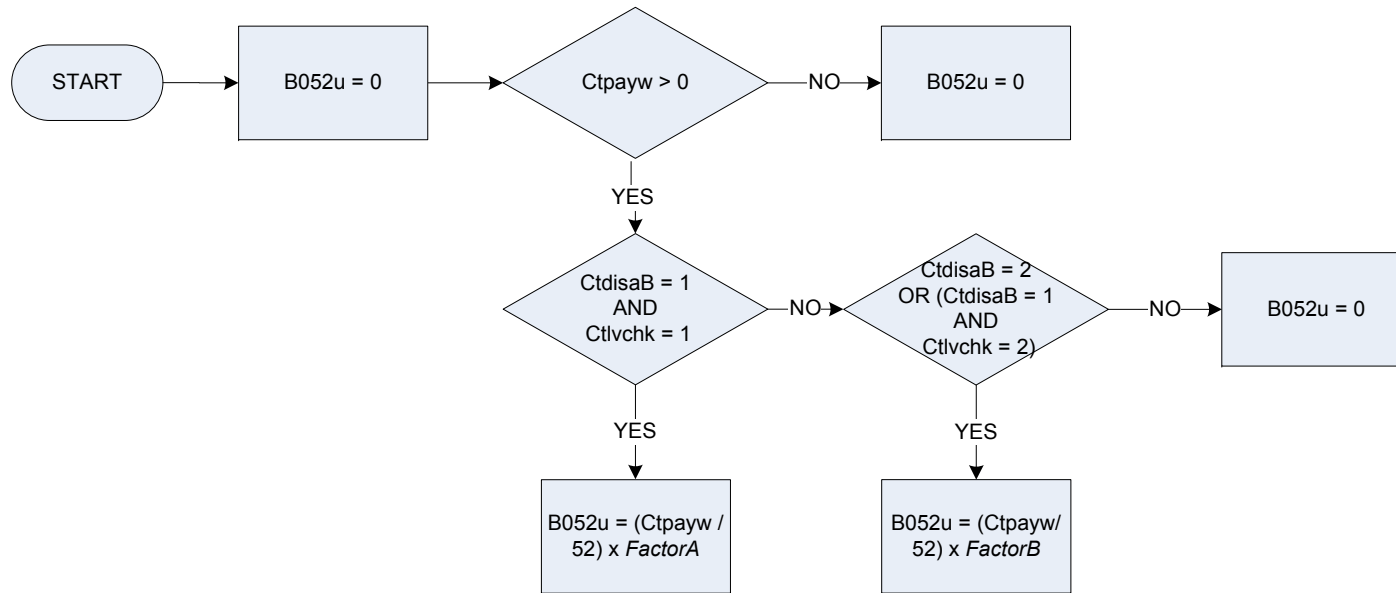
**KEY**

- Ctdisab** Was council tax bill reduced to a lower band because there is a disabled person in the household?  
 1 Yes  
 2 No
- Ctlvchk** Is Council Tax band after this lower valuation, or before it?  
 1 Before  
 2 After
- Ctband** Council Tax band of the accommodation
- CtdisaB** Was the respondent's council tax bill reduced to a lower band because there is a disabled person in the household?
- Ctwproxy** Anonymised Water Charges amount
- XCtwproxy** Temporary variable used for calculations: Anonymised Council Tax amount

COUNCIL TAX MULTIPLYING FACTORS		
Council Tax Band	FactorA	FactorB
Band A	6/6	6/6
Band B	6/6	7/6
Band C	7/6	8/6
Band D	8/6	9/6
Band E	9/6	11/6
Band F	11/6	13/6
Band G	13/6	15/6
Band H	15/6	18/6
Band I	NA	21/6



## B052u – Council water tax - basic weekly amount payable (Scotland only)



### KEY

**Ctpayw**  
**Ctivchk**

Council Water tax, Band A - Scotland only.  
Is Council Tax band after reduction, or before it?  
**1** Before  
**2** After

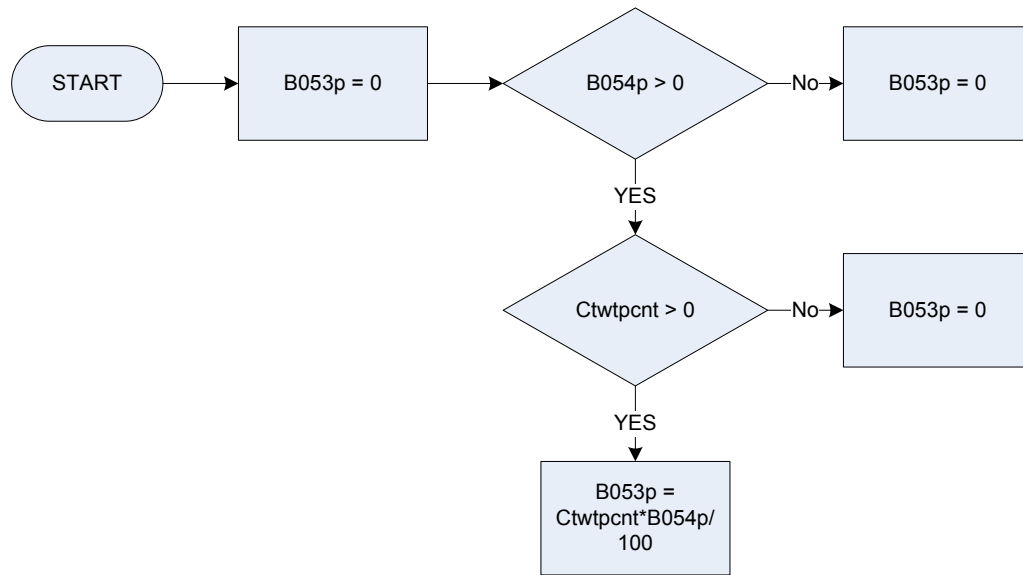
**Ctband**  
**CtdisaB**

Which Council Tax band the accommodation is in.  
Was the respondent's council tax bill reduced to a lower band because there is a disabled person in the household?  
**1** Yes  
**2** No

### COUNCIL TAX MULTIPLYING FACTORS

Council Tax Band	FactorA	FactorB
Band A	6/6	6/6
Band B	6/6	7/6
Band C	7/6	8/6
Band D	8/6	9/6
Band E	9/6	11/6
Band F	11/6	13/6
Band G	13/6	15/6
Band H	15/6	18/6
Band I	NA	21/6

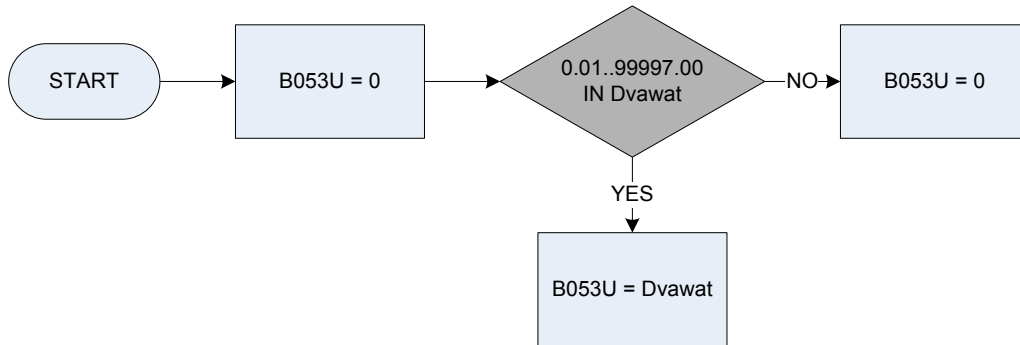
## B053p – Council water tax – weekly amount paid



### KEY

**B054p** Council water charge after status discount  
**Ctwtpcnt** Council water charge: amount paid as percentage of amount due

## B053u – Council water tax – weekly amount paid

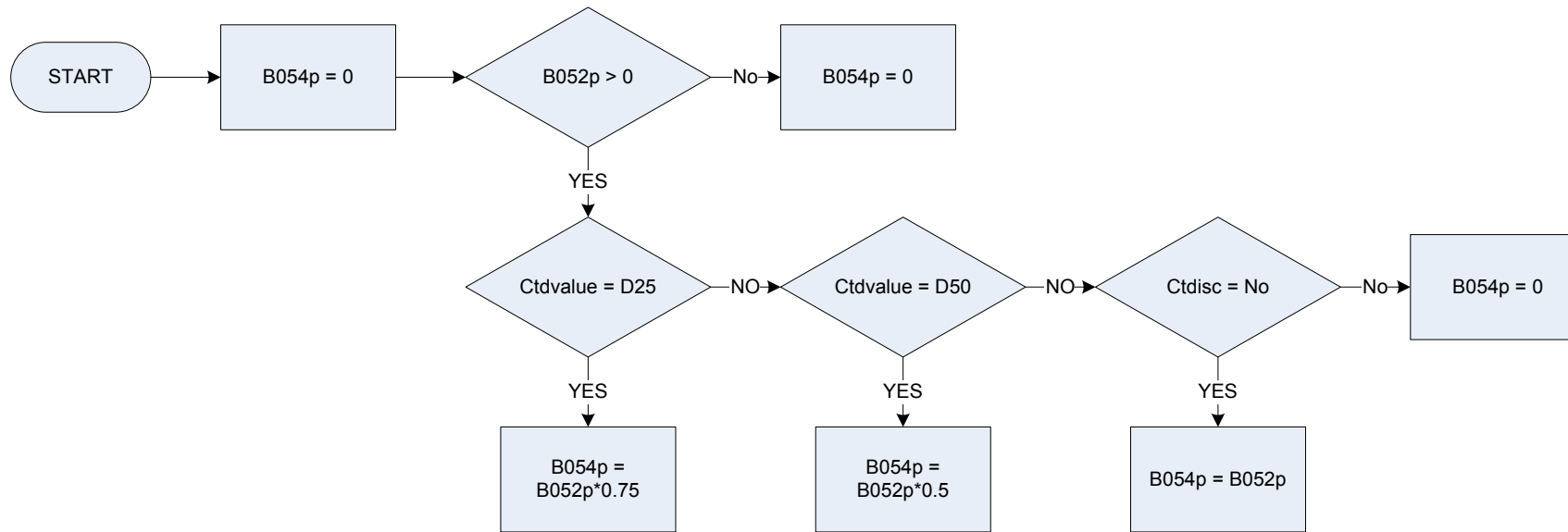


### KEY

**Dvawat**

Derived from CTWat to give a weekly amount – (CTWat – Council Tax: How much was included in the last council tax payment for council water charge?)

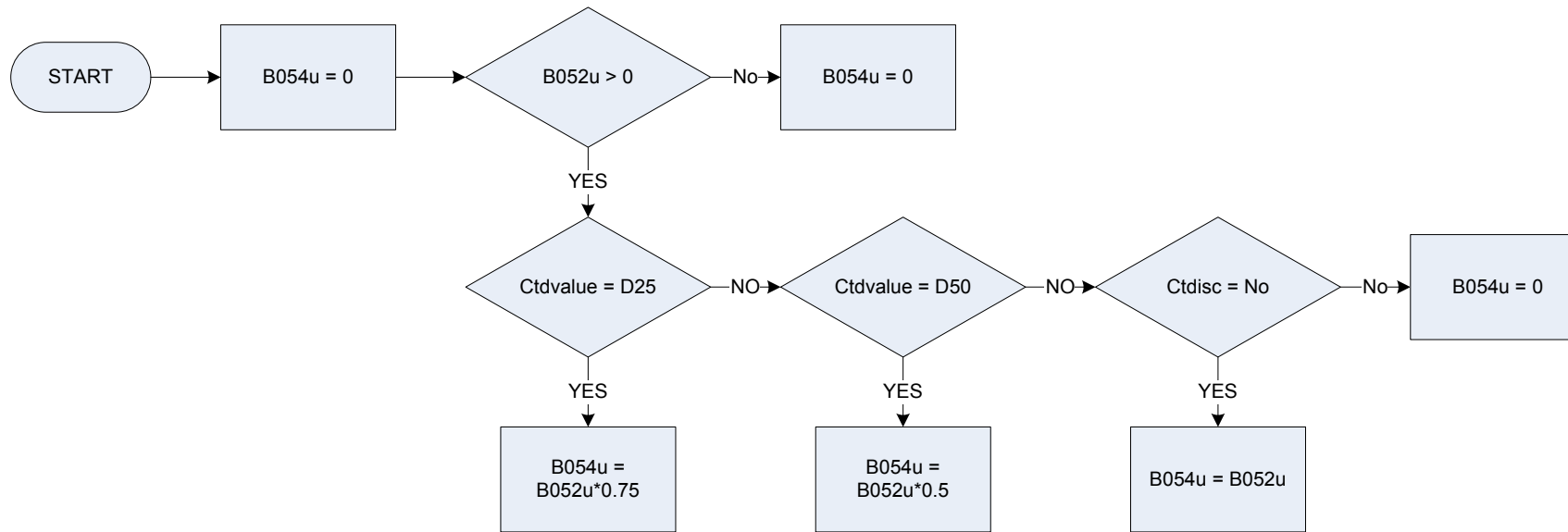
## B054p – Council water charge after status discount



### KEY

<b>B052p</b>	Council water tax – basic weekly amount payable
<b>Ctdisc</b>	Was the respondent allowed a status discount of 25% or 50% for any of the reasons shown on this card?
<b>1</b>	Yes
<b>2</b>	No
<b>Ctdvalue</b>	Was the respondent allowed a 25% or 50% discount?
<b>D25</b>	a 25% discount
<b>D50</b>	or a 50% discount?

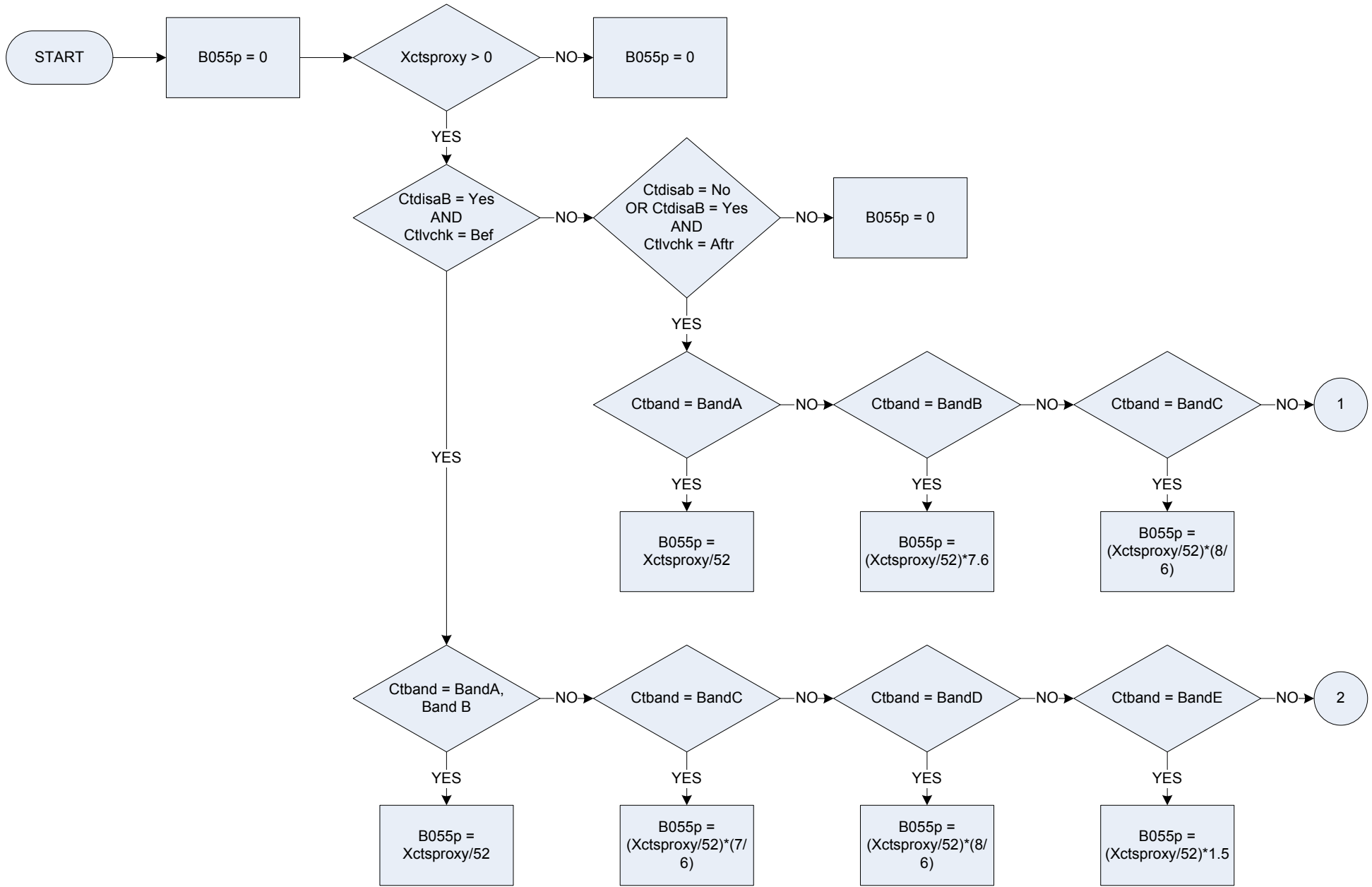
## B054u – Council water charge after status discount



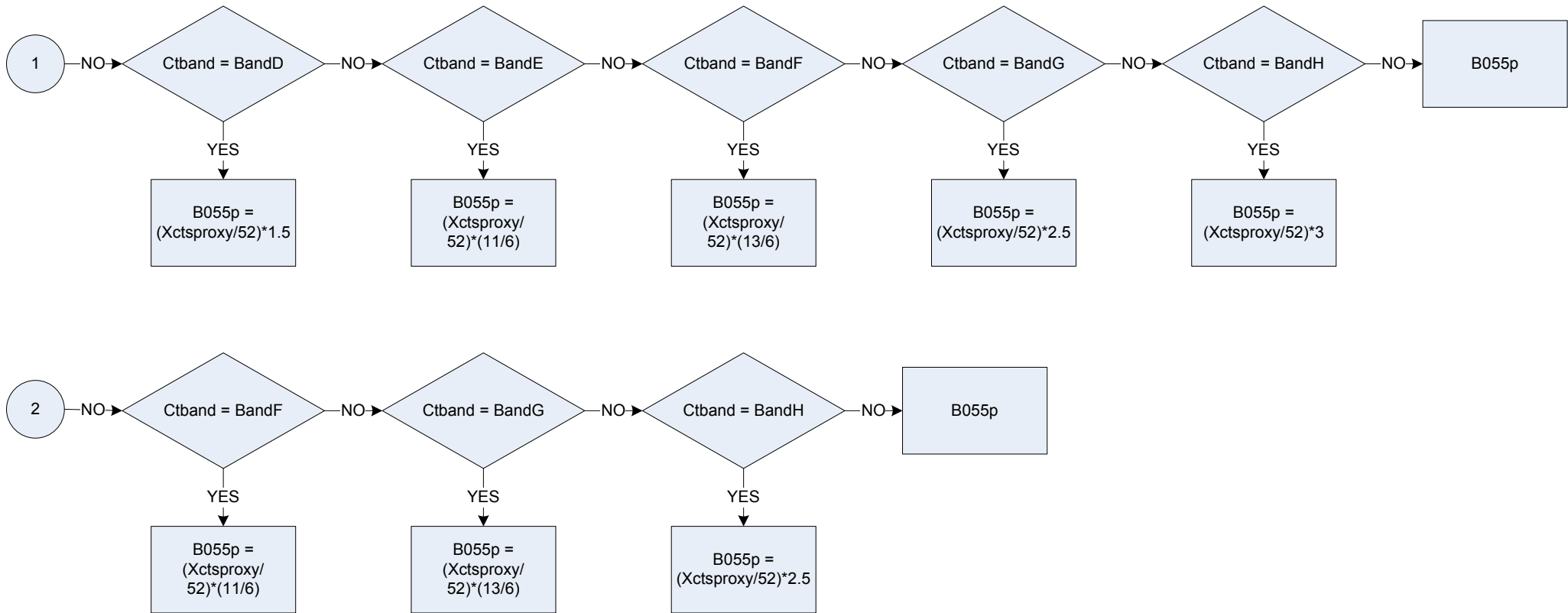
### KEY

**B052u** Council water tax – basic weekly amount payable  
**Ctdisc** Was the respondent allowed a status discount of 25% or 50% for any of the reasons shown on this card?  
**1** Yes  
**2** No  
**Ctdvalue** Was the respondent you allowed a 25% discount; or a 50% discount?  
**D25** a 25% discount  
**D50** or a 50% discount?

# B055p – Council sewerage tax - basic weekly amount



## B055p – Council sewerage tax - basic weekly amount



### KEY

#### CTBand

Which Council Tax band the accommodation is in?

**BandA** Band A  
**BandB** Band B  
**BandC** Band C  
**BandD** Band D  
**BandE** Band E  
**BandF** Band F  
**BandG** Band G  
**BandH** Band H  
**BandI** Band I  
**NotApp** Household accommodation, not valued separately

#### CtdisaB

Was the respondent's council tax bill reduced to a lower band because there is a disabled person in the household?

**1** Yes  
**2** No

#### CTLVchk

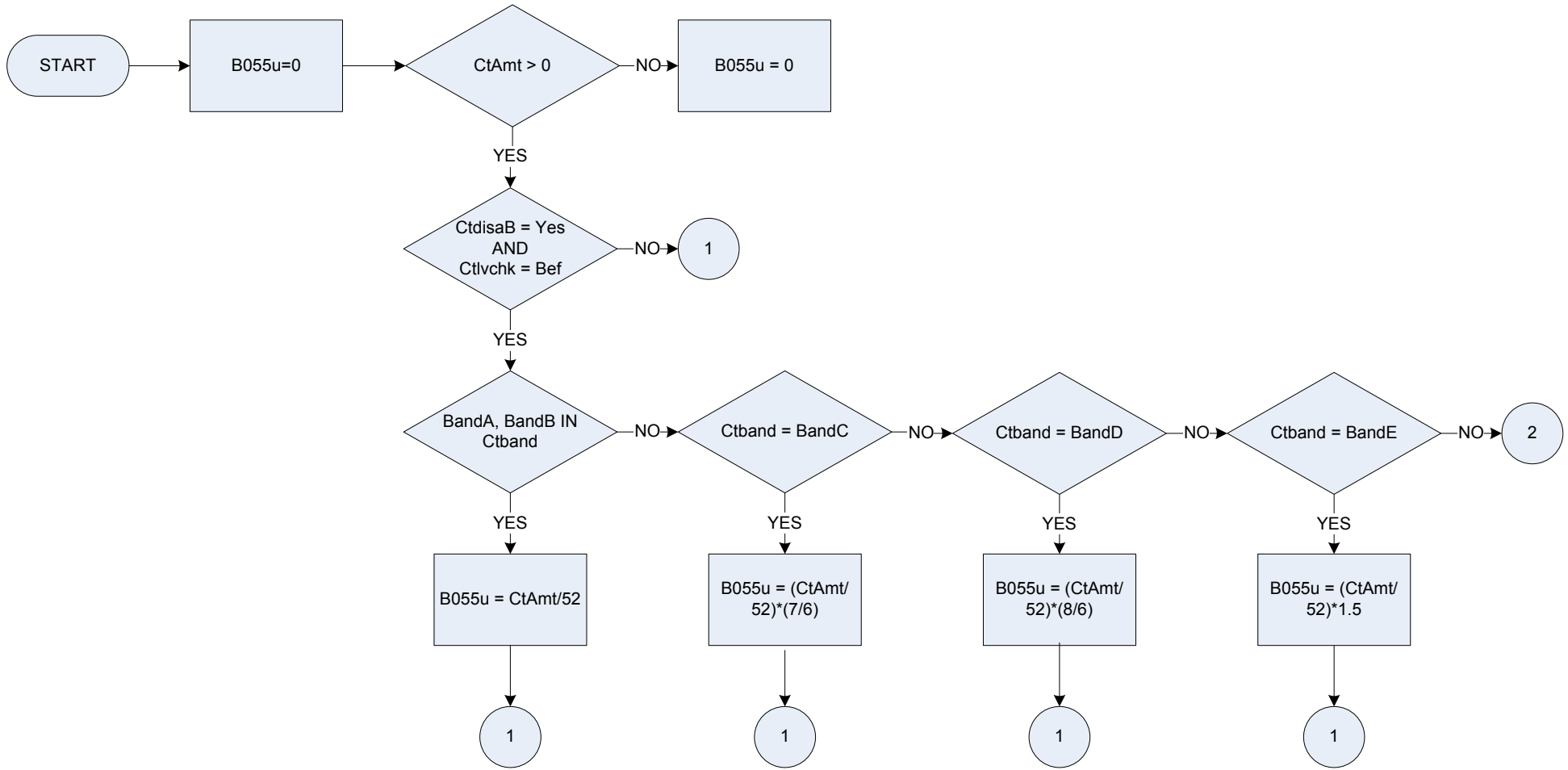
Is this the band: after this lower valuation; or before it?

**1** After  
**2** Before

#### Xctsproxy

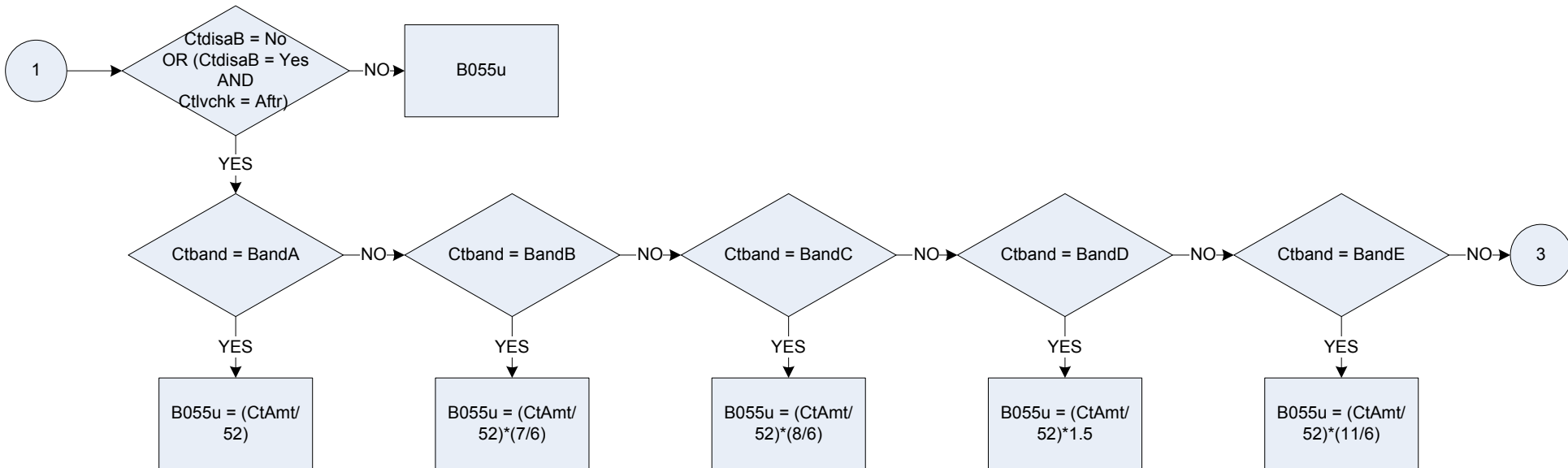
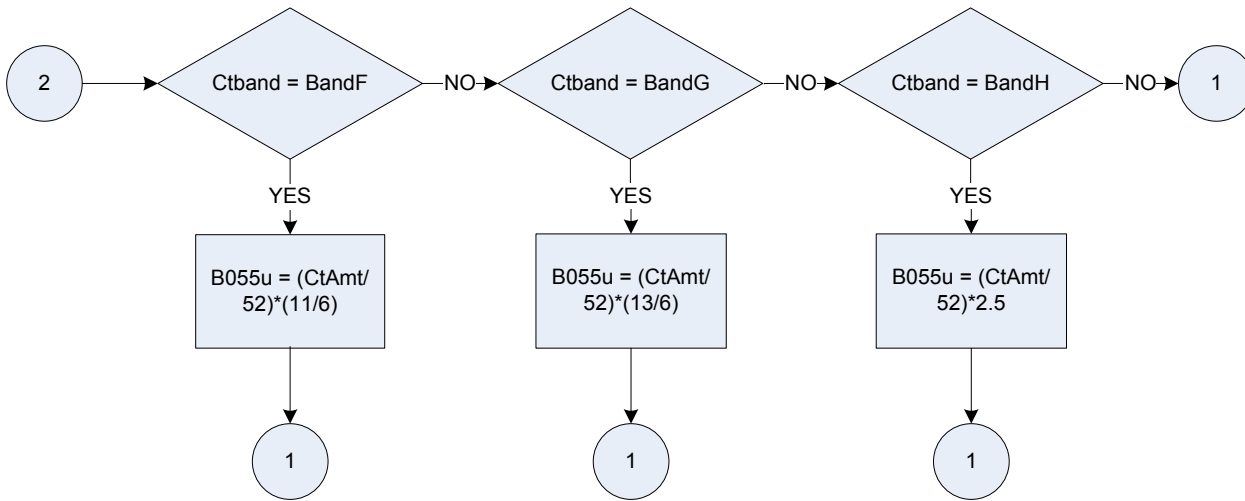
Temporary variable used in calculations – Anonymised Council sewerage charge

# B055u – Council sewerage tax – basic weekly amount payable

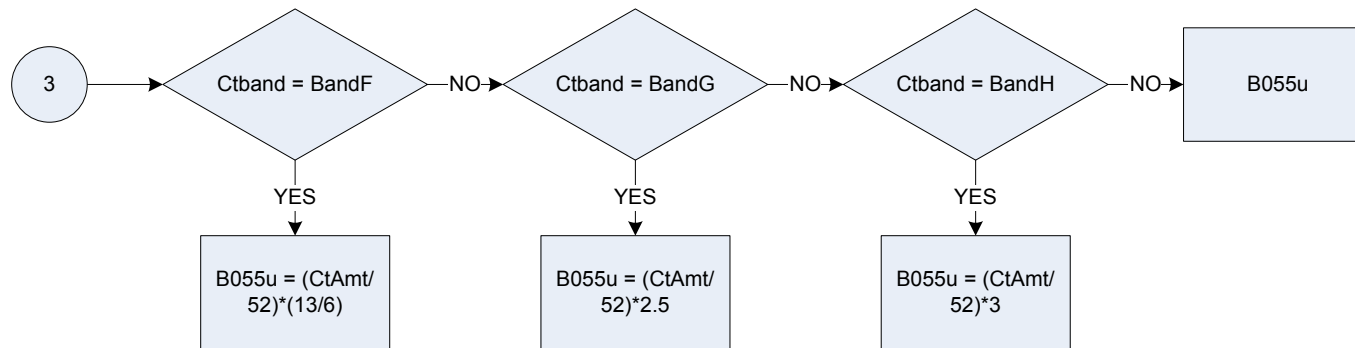




## B055u – Council tax – amount of discount for disabled



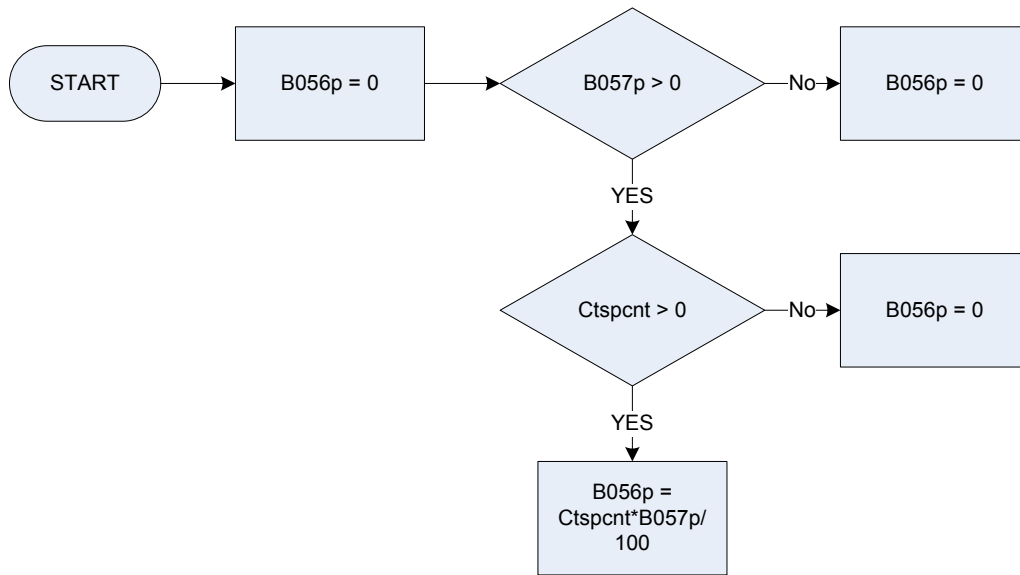
## B055u – Council tax – amount of discount for disabled



### KEY

<b>CtAmt</b>	How much council tax did the respondent actually pay last time, after deducting any discounts or benefits? Band A - England, Wales and Scotland only
<b>Ctband</b>	Which Council Tax band the accommodation is in?
<b>BandA</b>	<i>Band A</i>
<b>BandB</b>	<i>Band B</i>
<b>BandC</b>	<i>Band C</i>
<b>BandD</b>	<i>Band D</i>
<b>BandE</b>	<i>Band E</i>
<b>BandF</b>	<i>Band F</i>
<b>BandG</b>	<i>Band G</i>
<b>BandH</b>	<i>Band H</i>
<b>BandI</b>	<i>Band I</i>
<b>NotApp</b>	<i>Household accommodation not valued separately</i>
<b>CtdisaB</b>	Was the respondent's council tax bill reduced to a lower band because there is a disabled person in your household?
<b>Ctlvchk</b>	Is this the band: after this lower valuation; or before it?

## B056p – Council sewerage tax – weekly amount paid

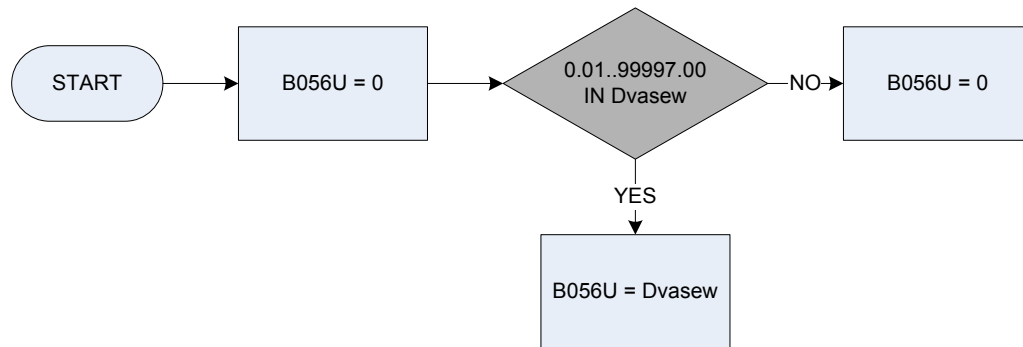


### KEY

**B057p**  
**Ctspcnt**

Council sewerage charge after status discount  
Council sewerage charge: amount as percentage of amount due

## B056u – Council sewerage tax – weekly amount paid

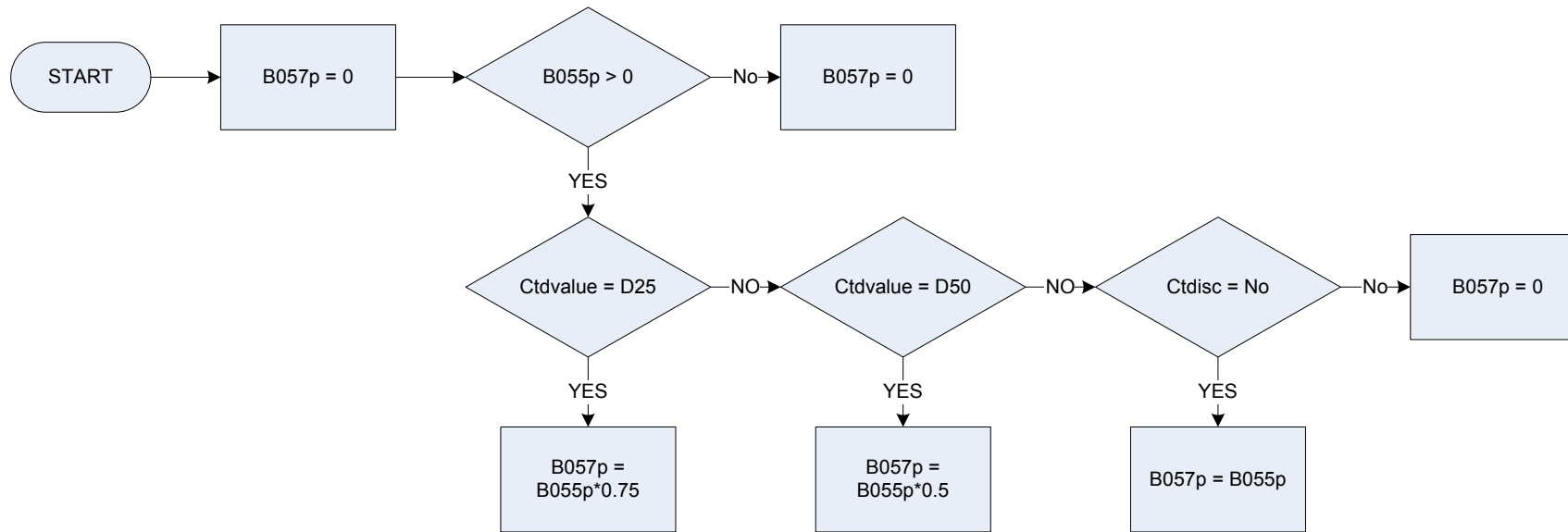


### KEY

**Dvasew**

Derived from CTSeW to give a weekly amount – (CTSeW – Council Tax: How much was included in the last council tax payment for council Sewerage charge?)

## B057p – Council sewerage charge after status discount



### KEY

**B055p**  
**Ctdisc**

Council sewerage tax – basic weekly amount  
Was the respondent allowed a status discount of 25% or 50% for any of the reasons shown on this card?

**1** Yes

**2** No

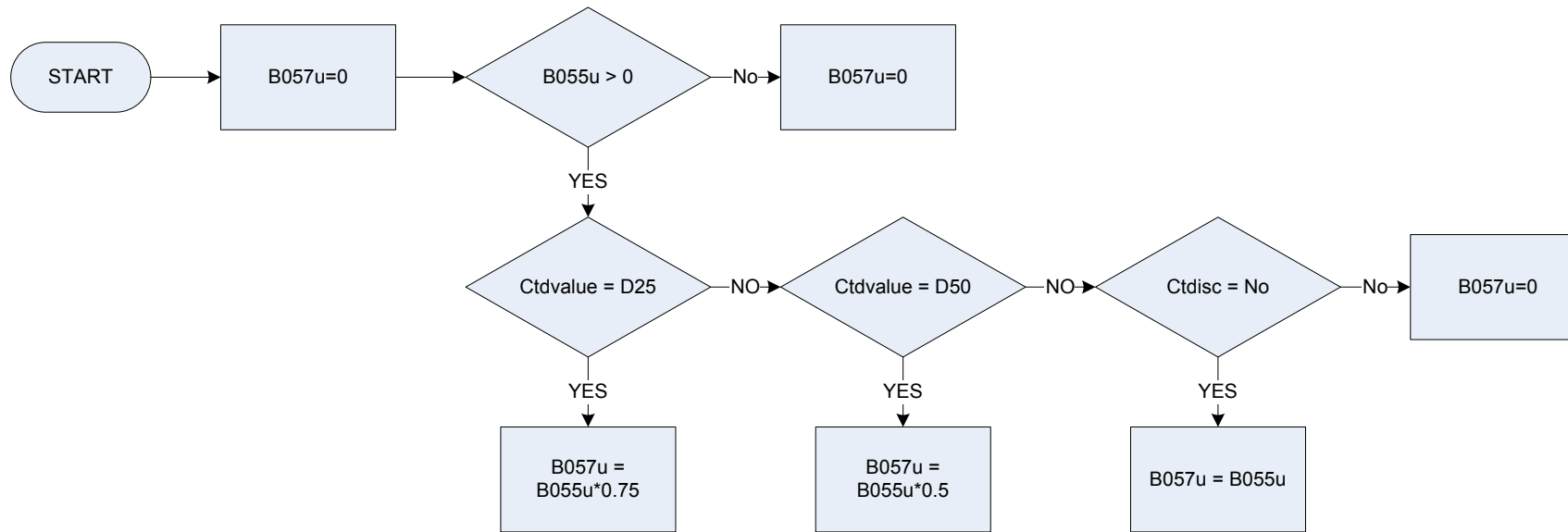
**Ctdvalue**

Was the respondent allowed a 25% discount or a 50% discount?

**D25** a 25% discount

**D50** or a 50% discount?

## B057u – Council sewerage charge after status discount



### KEY

**B055u**  
**Ctdisc**

Council sewerage tax – basic weekly amount  
Was the respondent allowed a status discount of 25% or 50% for any of the reasons shown on this card?  
Some other adults are disregarded when working out the personal component of the tax. These are:

**a severely mentally impaired person**  
**a person aged 18 or over who is still at school**  
**a student**  
**Student nurses**  
**Apprentices**  
**YT trainees**  
**Care workers**

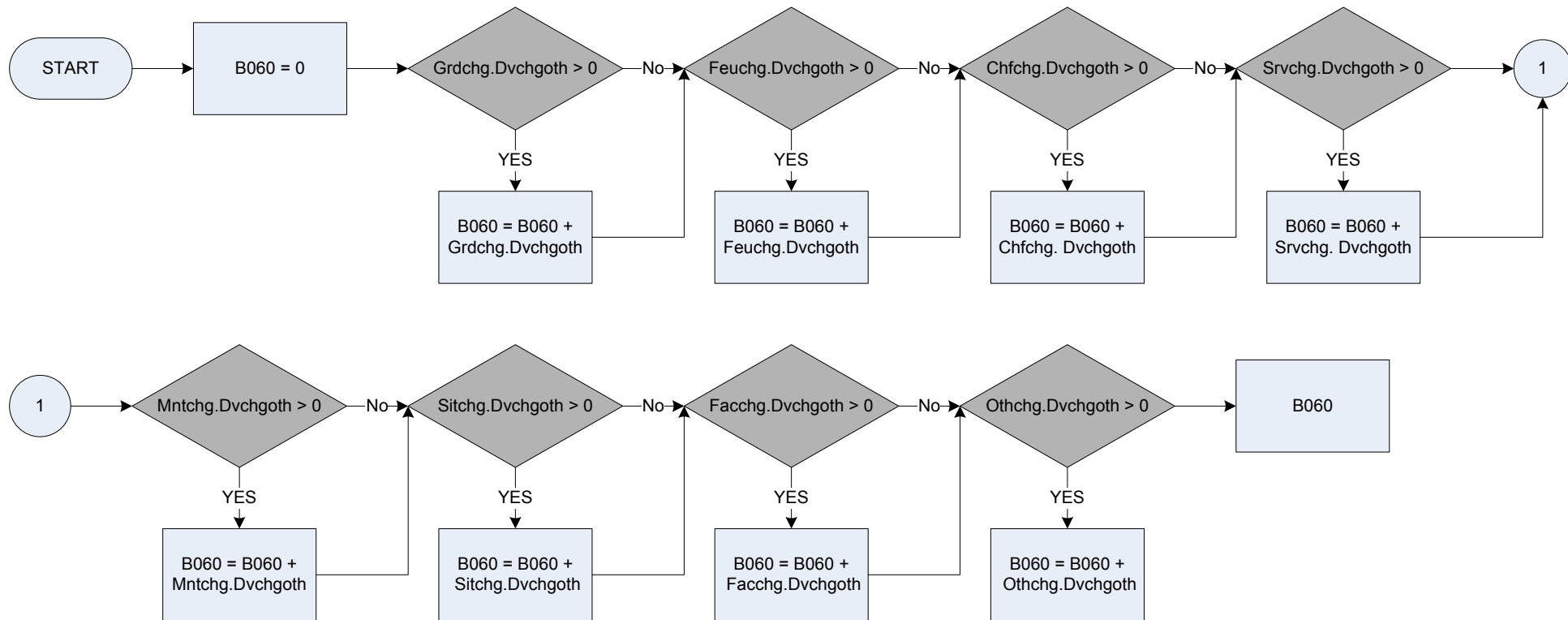
**CtdValue**

If the household includes one or more such adults and one other adult who is not in these groups, a 25% discount will apply. If the household is comprised exclusively such adults, a 50% discount will apply. This will be rare.

Was the respondent allowed: a 25% discount; or a 50% discount?

**D25** a 25% discount  
**D50** or a 50% discount?

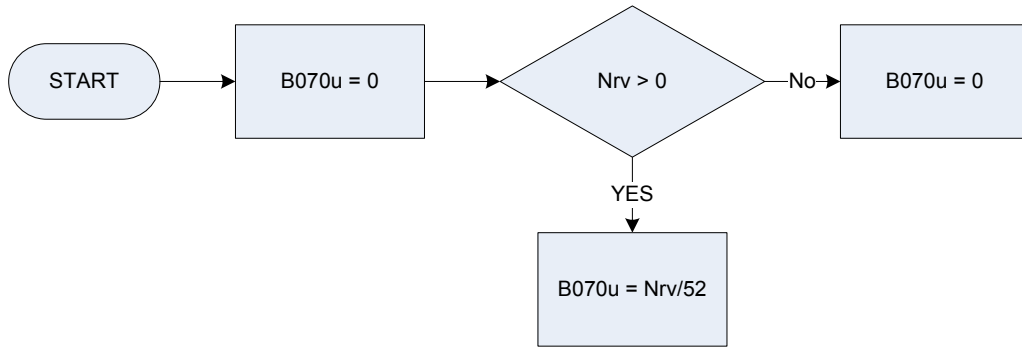
## B060 – Other regular housing payments



### KEY

<b>Chfchg</b>	Chief Rent
<b>Dvchgoth</b>	Derived from OthPyAm to give a weekly amount – (OthPyAm – Accommodation: How much did you pay last time?)
<b>Facchg</b>	Factoring (Scotland)
<b>Feuchg</b>	Feu duty (Scotland)
<b>Grdchg</b>	Ground Rent
<b>Mntchg</b>	Compulsory or regular maintenance charges
<b>Othchg</b>	Any other regular payments
<b>Sitchg</b>	Site rent (caravans)
<b>Srvchg</b>	Service charge

**B070u – Rateable value for part of dwelling occupied**



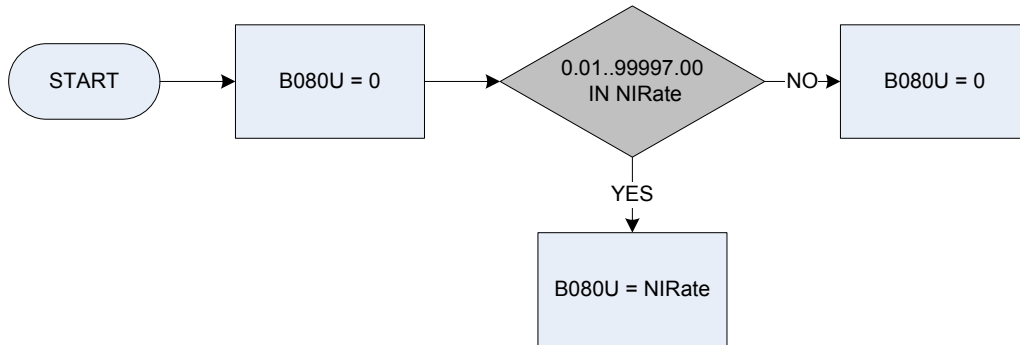
**KEY**

**Nrv**

The net rateable value of rateable unit(s) covering household



## B080u – Domestic rates - poundage

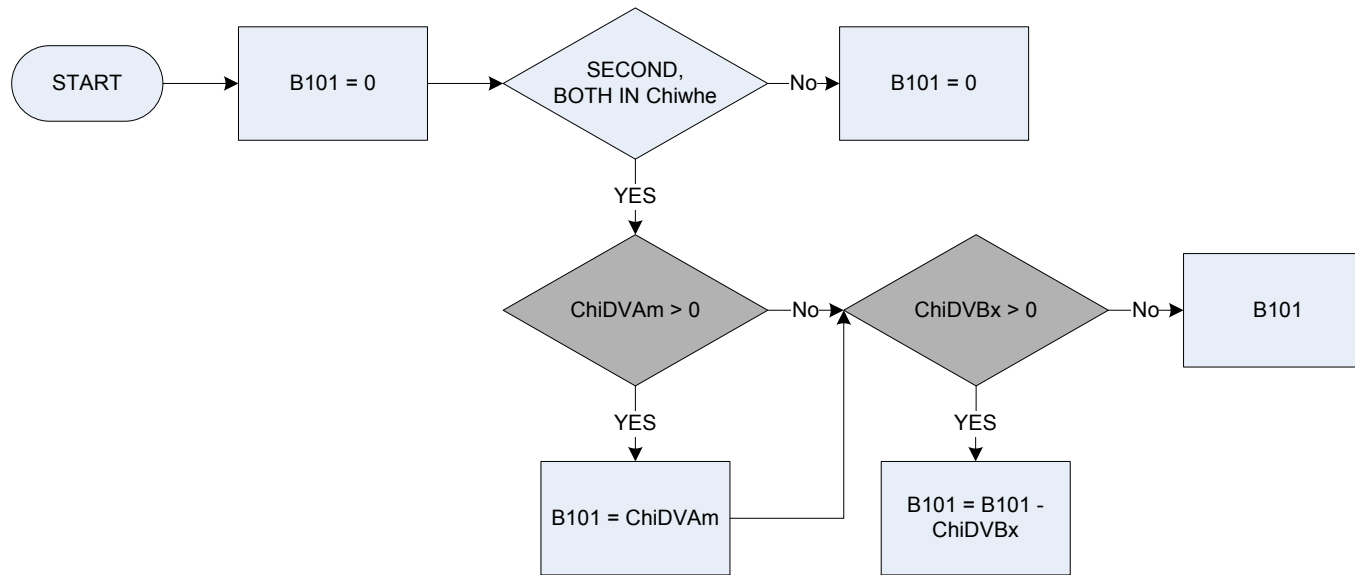


### KEY

**NIRate**

Domestic rates poundage - Northern Ireland only

## B101 – Central heating installed – second dwelling



### KEY

**ChiDVAm**  
**ChiDVBx**  
**Chiwhe**

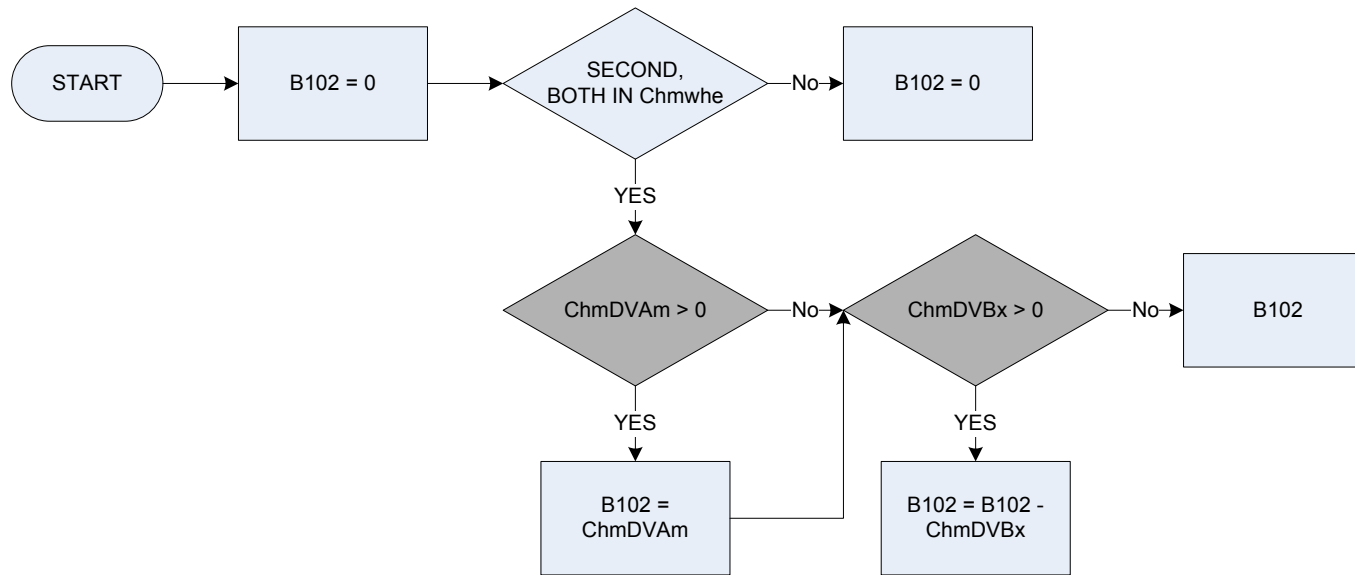
Derived from CHIAmt to give a weekly amount – (CHIAmt – Central Heating: In the last 12 months, how much in total did the respondent pay, excluding any interest paid on loans?)

Derived from CHIBAm to give a weekly amount – (CHIBAm – Central Heating: How much was/will be reclaimed?)

Was this work carried out at respondent's:

**Main**                      *main dwelling*  
**Second**                    *second dwelling*  
**both**                        *or both?*

## B102 – Central heating repairs – second dwelling



### KEY

**ChmDVAm**  
**ChmDVBx**  
**Chmwhe**

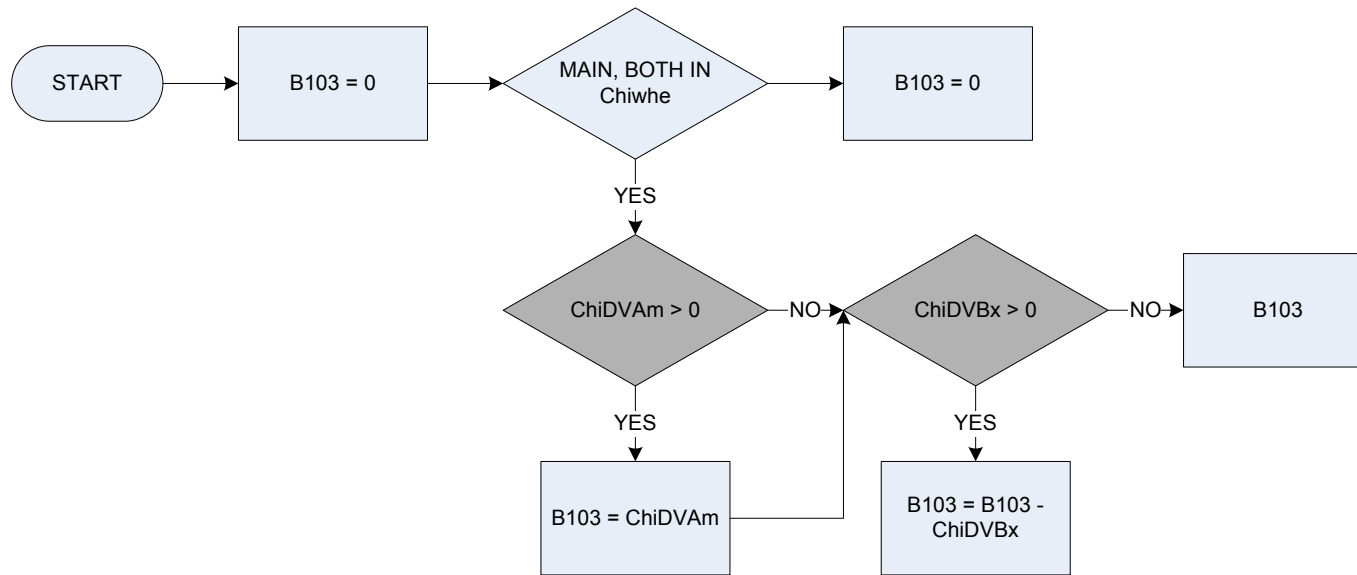
Derived from ChmAmt to give a weekly amount – (*ChmAmt* – Central Heating: In the last 12 months, how much in total did the respondent pay, excluding any interest paid on loans?)

Derived from ChmBAmt to give a weekly amount – (*ChmBAmt* – Central Heating: How much was/will be reclaimed?)

Was this work carried out at respondent's:

**Main**                      *main dwelling*  
**Second**                    *second dwelling*  
**both**                        *or both?*

## B103 – Central heating installed – main dwelling



### KEY

**ChiDVAm**  
**ChiDVBx**  
**Chmwhe**

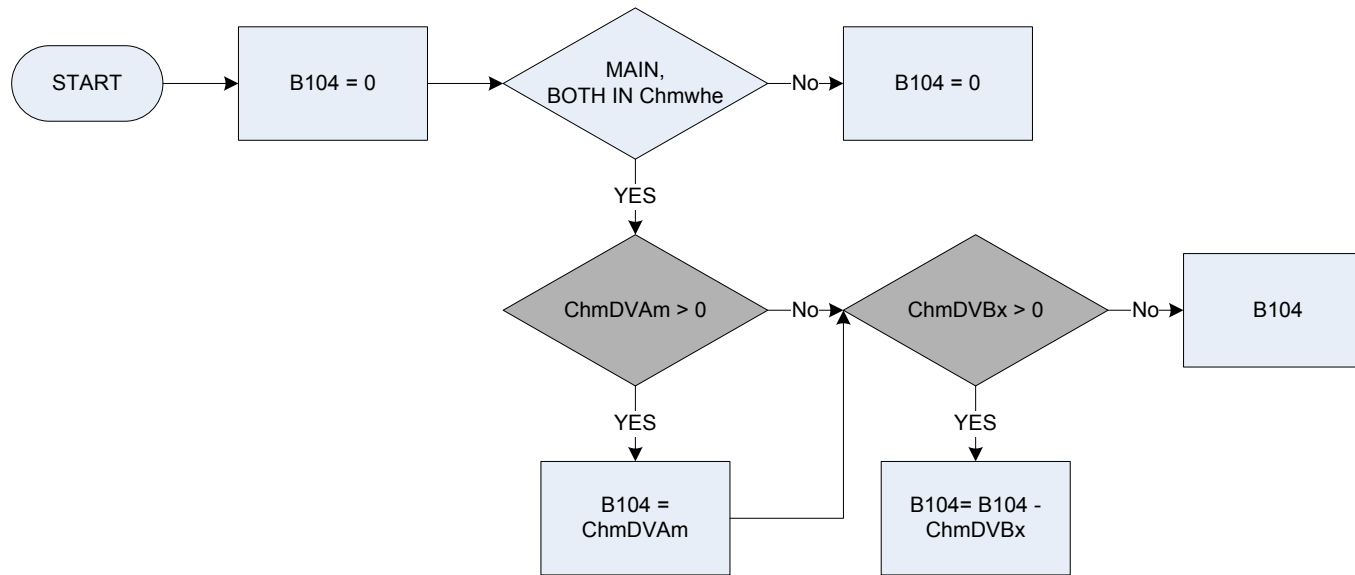
Derived from ChiAmt to give a weekly amount – (*ChiAmt – Central Heating: In the last 12 months, how much in total did the respondent pay, excluding any interest paid on loans?*)

Derived from ChiBAmt to give a weekly amount – (*ChiBAmt – Central Heating: How much was/will be reclaimed?*)

Was this work carried out at respondent's:

**Main**                      *main dwelling*  
**Second**                  *second dwelling*  
**both**                      *or both?*

## B104 – Central heating repairs – main dwelling



### KEY

**Chmwhe**

Was this work carried out at respondent's:

**Main**                    *main dwelling*  
**Second**                *second dwelling*  
**both**                    *or both?*

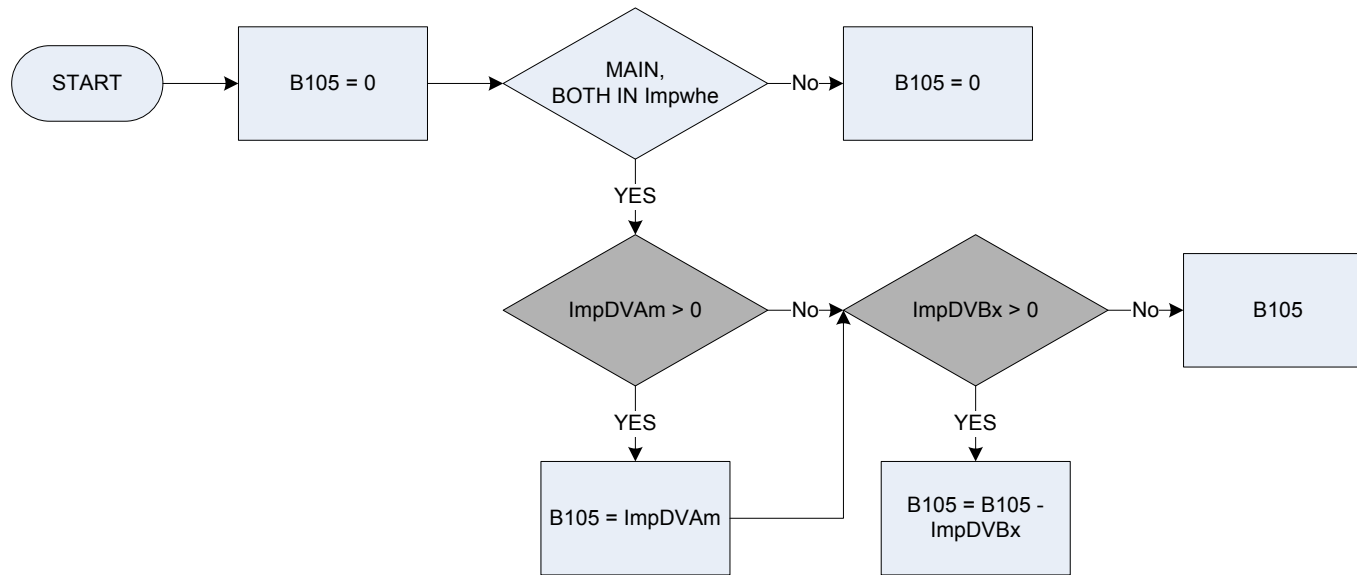
**ChmDVAm**

Derived from ChmAmt to give a weekly amount – (*ChmAmt – Central Heating: In the last 12 months, how much in total did the respondent pay, excluding any interest paid on loans?*)

**ChmDVBx**

Derived from ChmBAmt to give a weekly amount – (*ChmBAmt – Central Heating: How much was/will be reclaimed?*)

**B105 – House extensions etc – main dwelling**



**KEY**

**ImpDVAm**  
**ImpDVBx**  
**Impwhe**

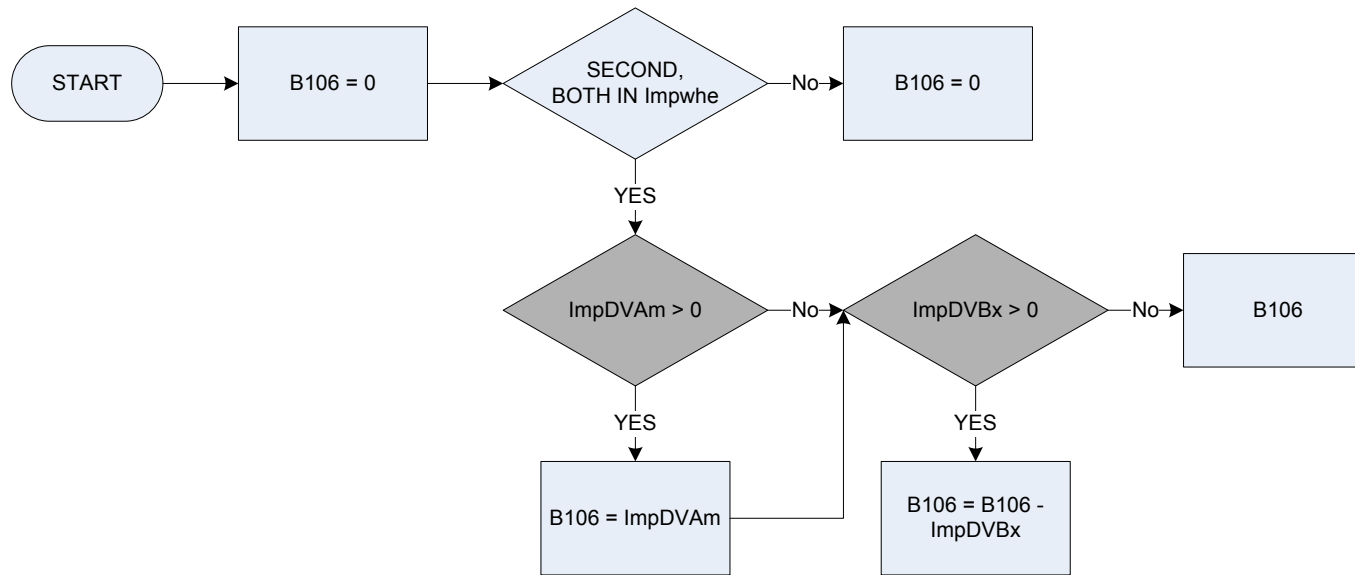
Derived from ImpPAmt to give a weekly amount – (ImpPAmt – Home Improvements: In the last 12 months, how much in total did the respondent pay, excluding any interest paid on loans?)

Derived from ImpPBAmt to give a weekly amount – (ImpPBAmt – Home Improvements: How much was/will be reclaimed?)

Was this work carried out at respondent's:

**Main**                      *main dwelling*  
**Second**                  *second dwelling*  
**both**                      *both?*

## B106 – House extensions etc – second dwelling



### KEY

**ImpDVAm**  
**ImpDVBx**  
**Impwhe**

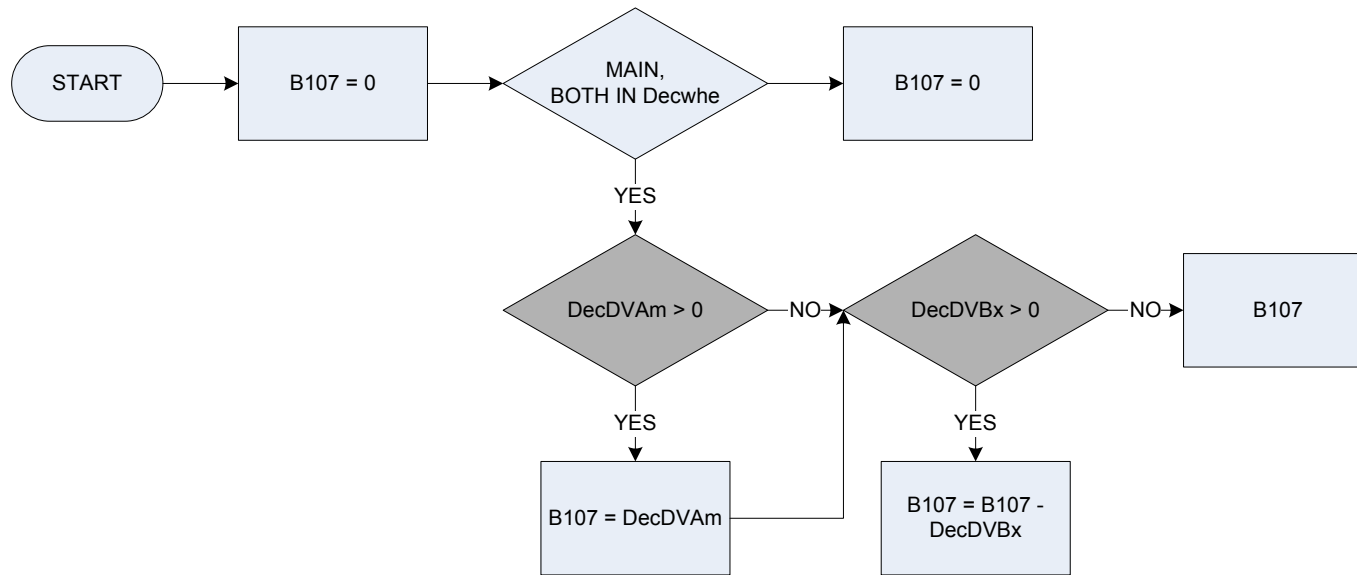
Derived from ImpPAmt to give a weekly amount – (*ImpPAmt – Home Improvements: In the last 12 months, how much in total did the respondent pay, excluding any interest paid on loans?*)

Derived from ImpPBAmt to give a weekly amount – (*ImpPBAmt – Home Improvements: How much was/will be reclaimed?*)

Was this work carried out at respondent's:

**Main**                      *main dwelling*  
**Second**                  *second dwelling*  
**both**                      *or both?*

## B107 – House maintenance etc – main dwelling



### KEY

**DecDVAM**  
**DecDVBx**  
**Decwhe**

Derived from DecAmt to give a weekly amount – (*DecAmt – Home Improvements: In the last 12 months, how much in total did the respondent pay, excluding any interest paid on loans?*)

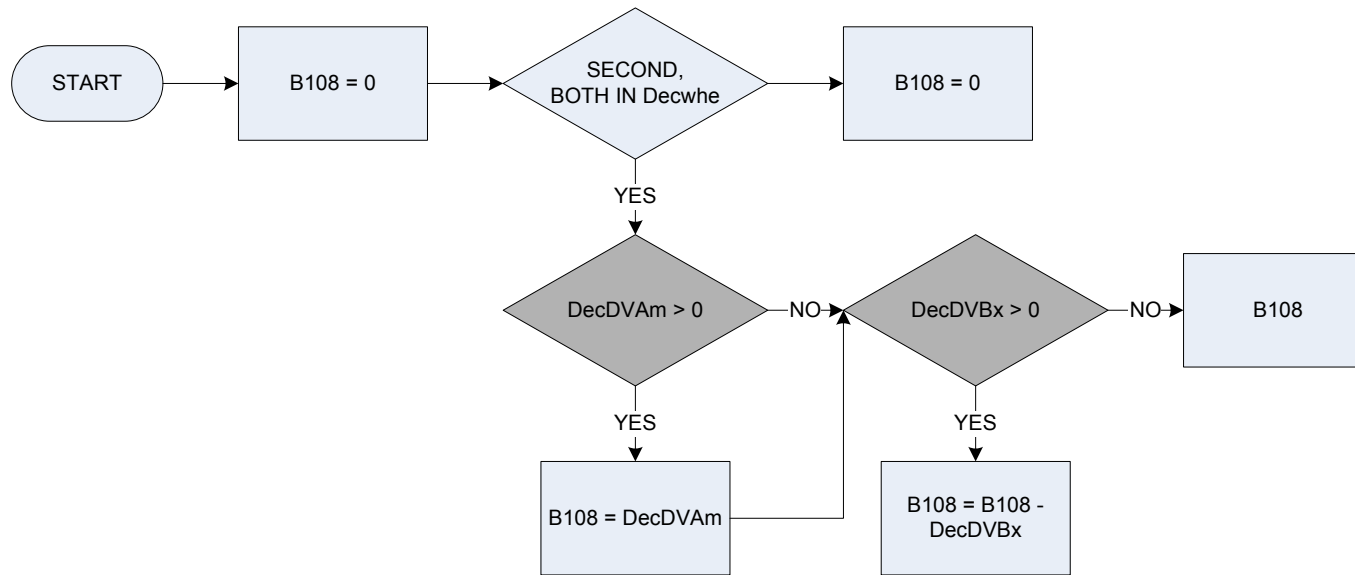
Derived from DecBAmt to give a weekly amount – (*DecBAmt – Home Improvements :How much was/will be reclaimed?*)

Was this work carried out at respondent's:

**Main**                      *main dwelling*  
**Second**                  *second dwelling*  
**both**                      *or both?*



## B108 – House maintenance etc – second dwelling



### KEY

**DecDVAM**  
**DecDVBx**  
**Decwhe**

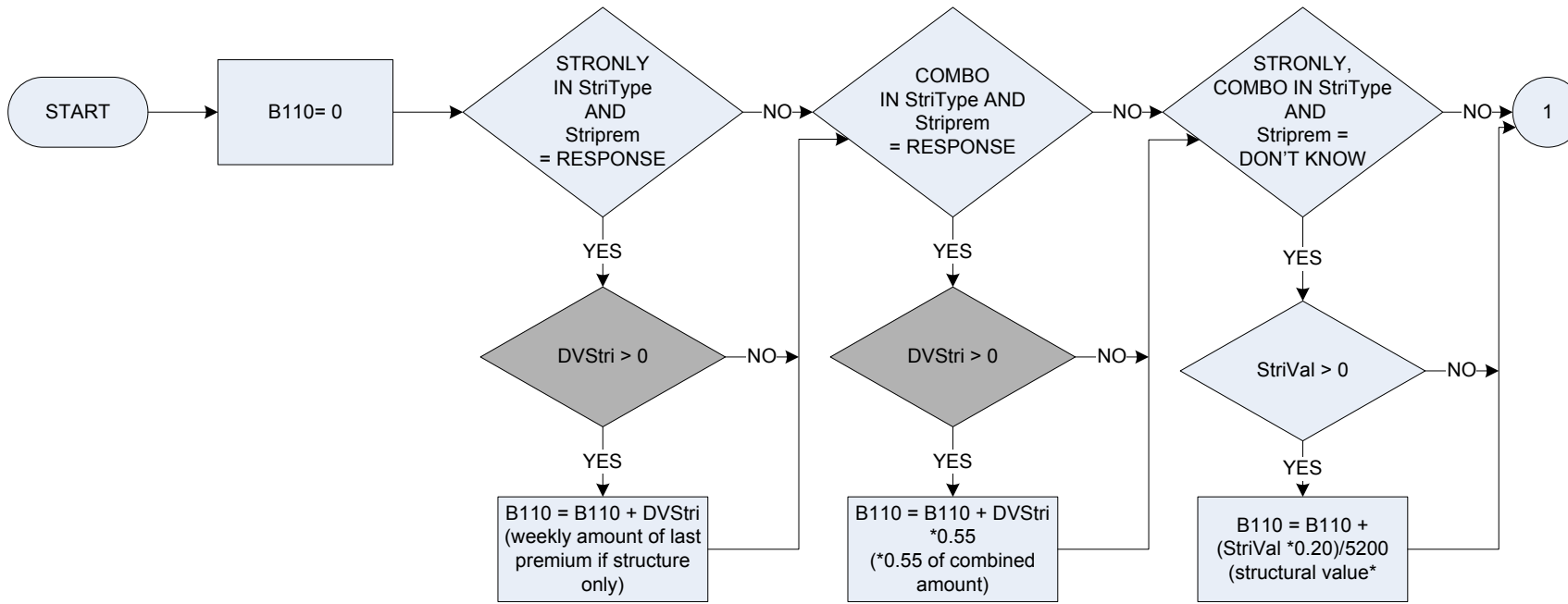
Derived from DecAmt to give a weekly amount – (*DecDVAM – Home Improvements: In the last 12 months, how much in total did the respondent pay, excluding any interest paid on loans?*)

Derived from DecAmt to give a weekly amount – (*DecBAMt – Home Improvements: How much was/will be reclaimed?*)

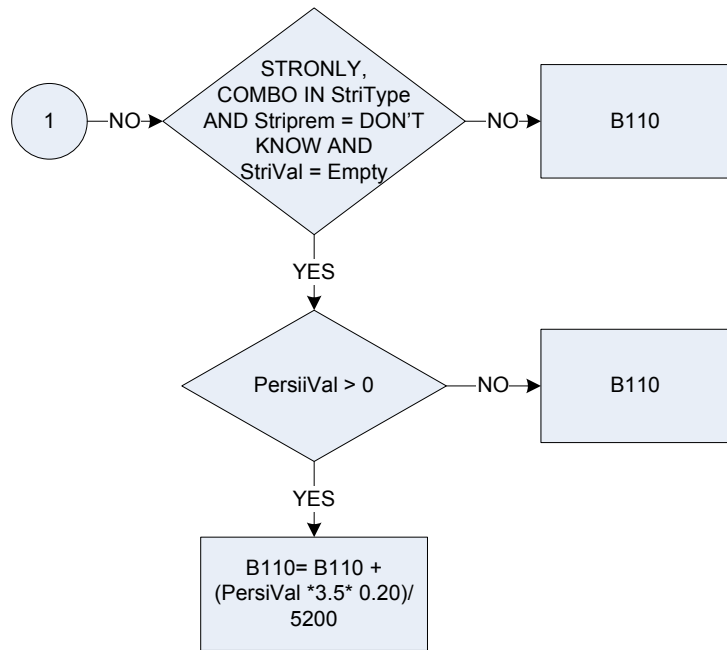
Was this work carried out at respondent's:

**Main**                      *main dwelling*  
**Second**                    *second dwelling*  
**both**                        *or both?*

## B110 – Structural Insurance - last payment



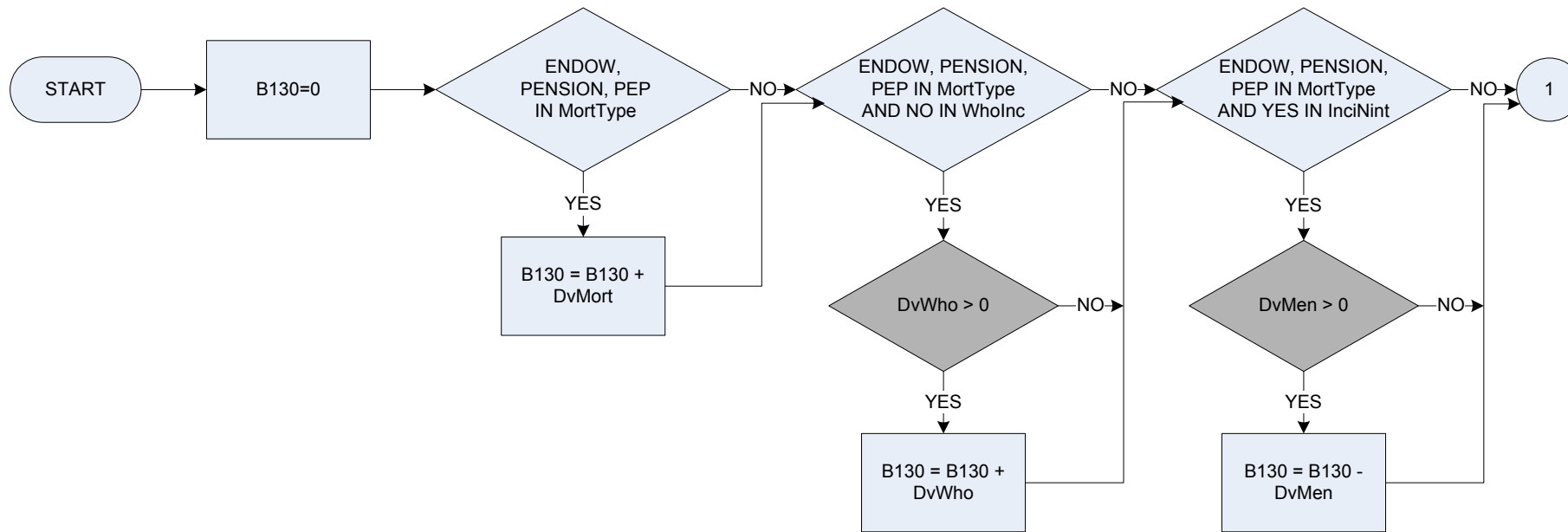
## B110 – Structural Insurance - last payment



### KEY

<b>DVStri</b>	Derived from StriPrem to give a weekly amount – ( <i>StriPrem</i> – Structural Insurance: How much was the last premium?)
<b>Persival</b>	What is the insured value of the furniture and contents and/or personal possessions?
<b>Striprem</b>	How much was the last premium?
<b>StriType</b>	Are the payments for: <b>StrOnly</b> structure only <b>Combo</b> structure combined with furniture and contents and/or personal possessions <b>PerOnly</b> or furniture and contents and/or personal possessions?
<b>StriVal</b>	What is the insured value of the structure?

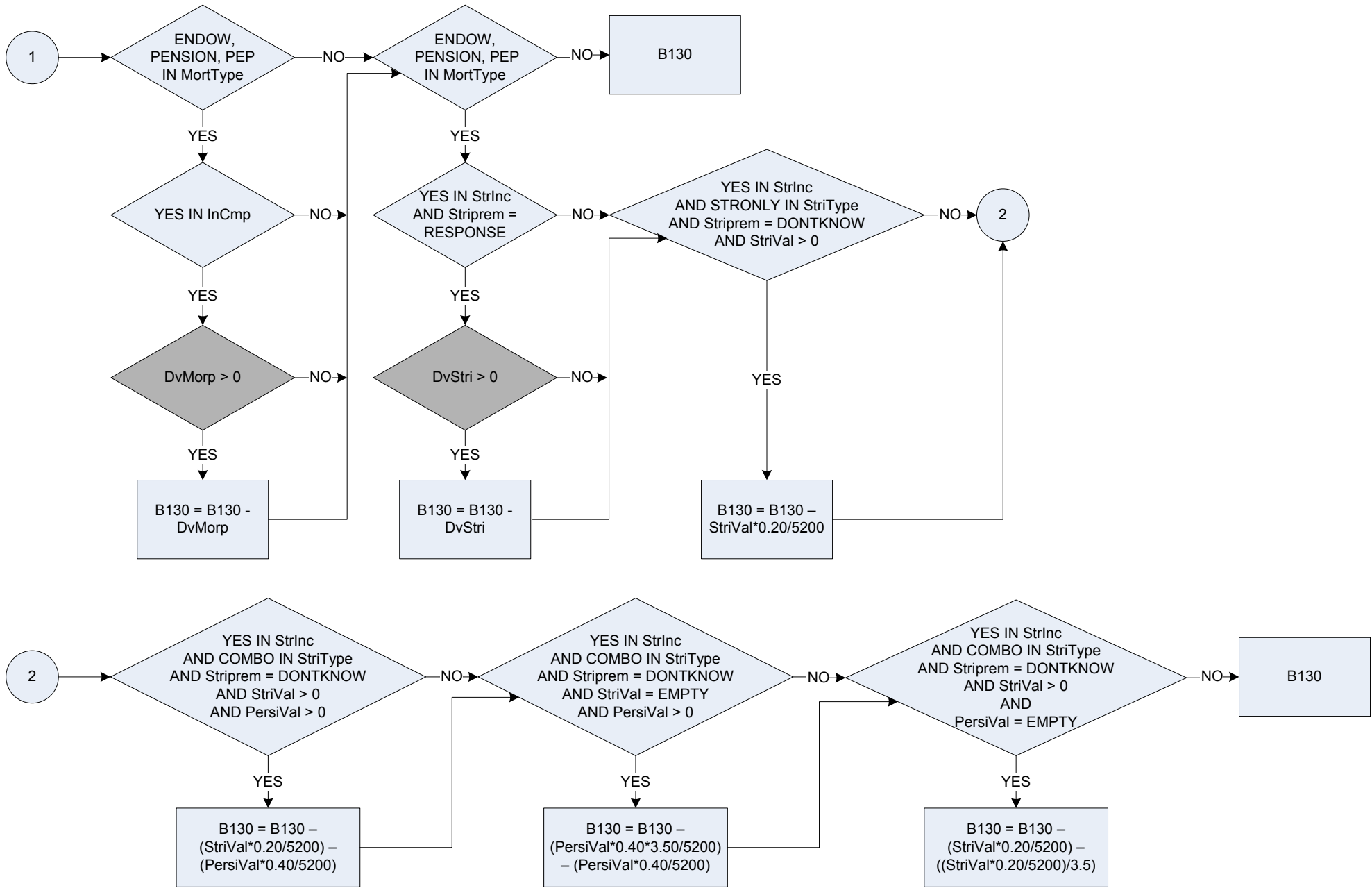
## B130 – Mortgage interest only – last payment



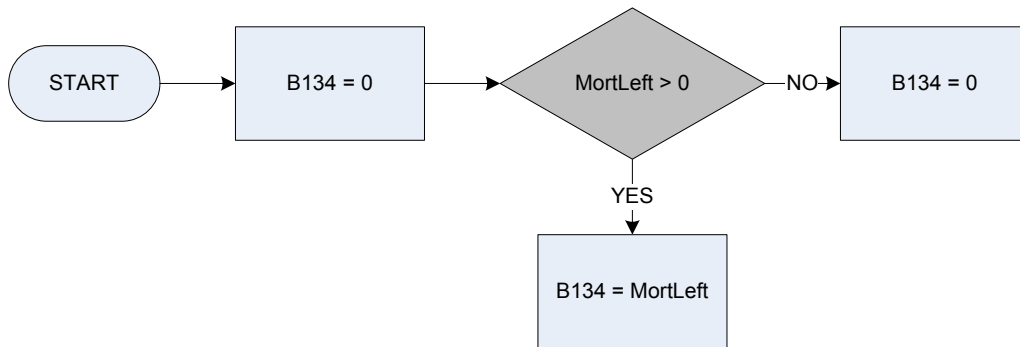
### KEY

<b>DvMen</b>	Derived from Menpolam to give a weekly amount – ( <i>Menpolam – Mortgage: How much was the respondent's last payment on the endowment policy/pension plan/PEP/ISA/unit trust?</i> )
<b>DvMorp</b>	Derived from MortProt to give a weekly amount – ( <i>MortProt – Mortgage: (Apart from any endowment policies they have mentioned). Does the respondent have a mortgage protection policy to repay this mortgage in the event of sickness/accident, redundancy or death?</i> )
<b>DvMort</b>	Derived from MortPay to give a weekly amount – ( <i>MortPay – Mortgage: How much was the respondent's last payment on this mortgage or loan?</i> )
<b>DvStri</b>	Derived from StriPrem to give a weekly amount – ( <i>StriPrem – Structural Insurance: How much was the last premium?</i> )
<b>DvWho</b>	Derived from WhoAmt to give a weekly amount – ( <i>WhoAmt – Mortgage: How much did the respondent pay last time?</i> )
<b>InCmp</b>	Mortgage: Is this payment included in the amount the respondent mentioned earlier?
<b>InciNint</b>	Mortgage: Is this payment included in the amount the respondent mentioned earlier?
<b>MortType</b>	What type of mortgage is this? <b>Endow</b> an endowment mortgage where your mortgage payments cover interest only <b>Repay</b> a repayment mortgage where your mortgage payments cover interest and part of the original loan <b>Pension</b> a pension mortgage where your mortgage payments cover interest only <b>PEP</b> a PEP, ISA or Unit Trust mortgage <b>COMBO</b> BOTH an endowment (or pension) mortgage AND a repayment mortgage
<b>Persival</b>	What is the insured value of the furniture and contents and/or personal possessions?
<b>StrInc</b>	Was this insurance premium included in the respondent's last mortgage payment?
<b>Striprem</b>	How much was the last premium?
<b>StriType</b>	Are the payments for: <b>StrOnly</b> structure only <b>Combo</b> structure combined with furniture and contents and/or personal possessions <b>PerOnly</b> furniture and contents and/or personal possessions
<b>Strival</b>	What is the insured value of the structure?
<b>WhoInc</b>	Was this amount included in the mortgage repayment the respondent mentioned earlier?

# B130 – Mortgage interest only – last payment



## B134 – Mortgage amount outstanding

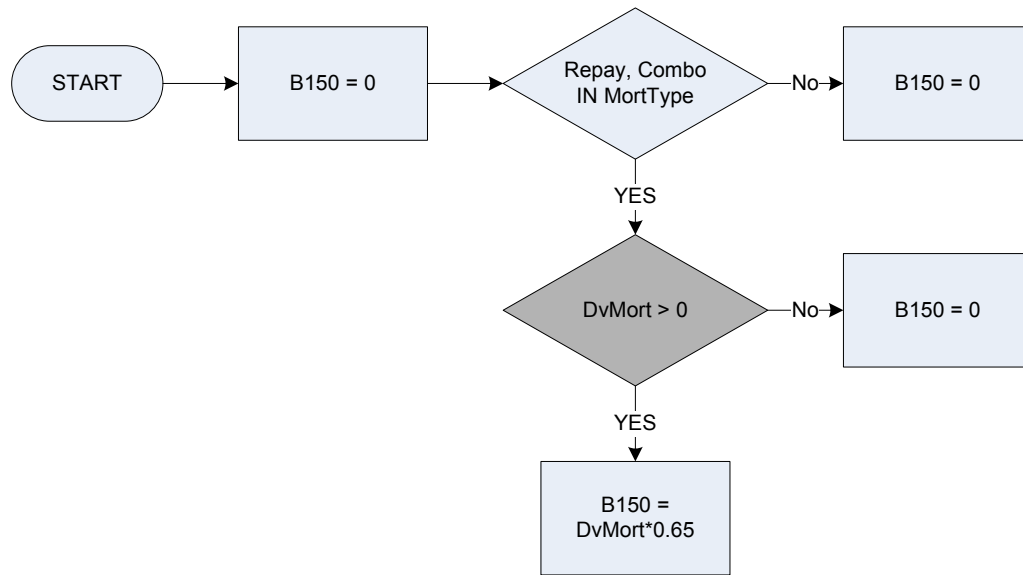


### KEY

**MortLeft**

How much is left to pay on the respondent's current mortgage?

## B150 – Mortgage interest/principle – interest paid



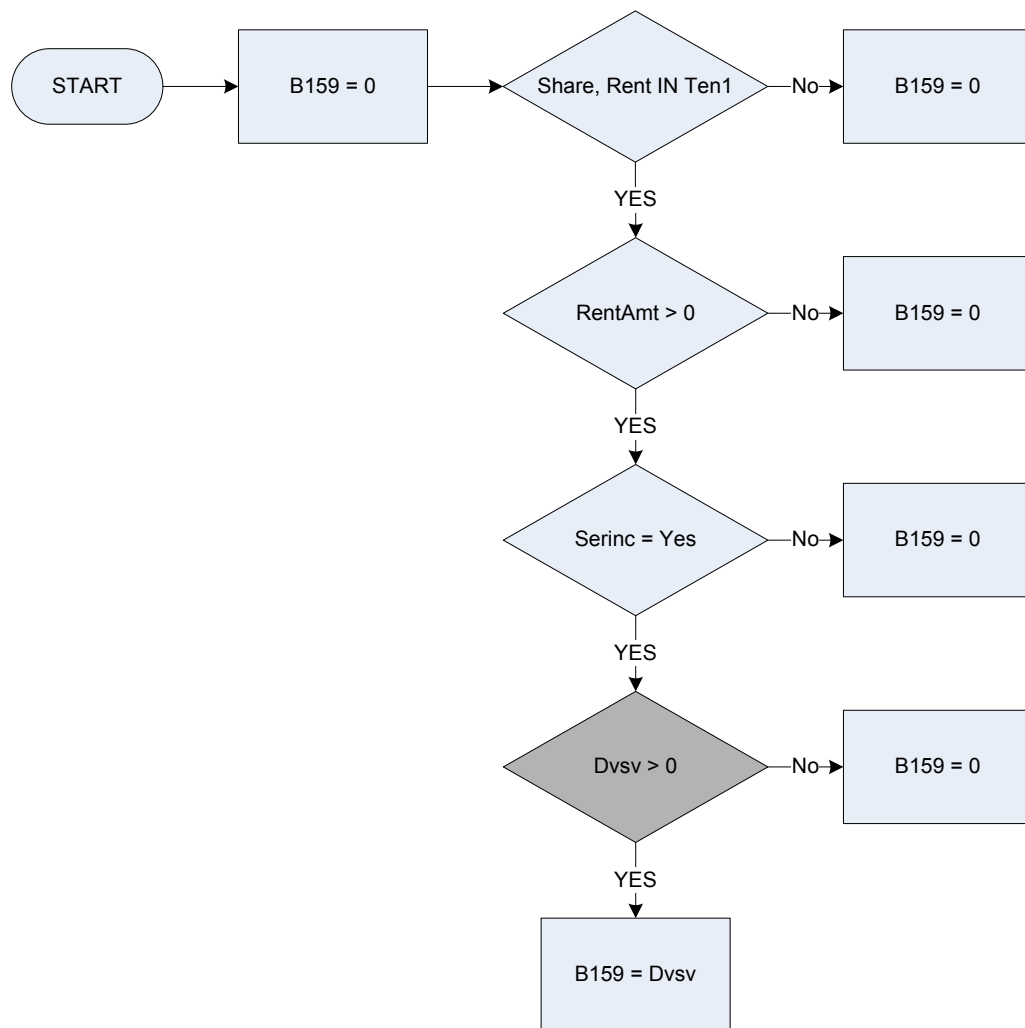
### KEY

#### DvMort MortType

Derived from MortPay to give a weekly amount – (*MortPay – Mortgage: How much was the respondent's last payment on this mortgage or loan?*)  
What type of mortgage is this?

- Endow**            *an endowment mortgage where your mortgage payments cover interest only?*
- Repay**           *or a repayment mortgage where your mortgage payments cover interest and part of the original loan?*
- Pension**        *or a pension mortgage where your mortgage payments cover interest only?*
- PEP**             *or a PEP, ISA or Unit Trust mortgage?*
- COMBO**        *or BOTH an endowment (or pension) mortgage AND a repayment mortgage?*

## B159 – Service charge included in rent - amount

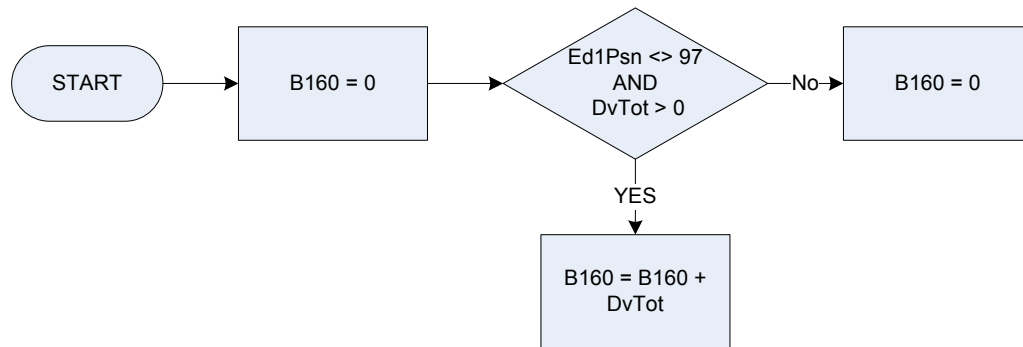


### KEY

- Dvsv** Derived from ServAmt to give a weekly amount – (*ServAmt – Rent: How much, in total, was included for the services in the rent which the respondent mentioned?*)
- RentAmt** How much rent did the respondent's household actually pay last time it was due, after deducting any Housing Benefit (rent rebate)? To the nearest £1 (after housing benefit including council tax, council water charge, water rates if paid as part of rent)
- Serinc** Does the rent which the respondent mentioned include any services such as the ones shown on card C1?  
**1** Yes  
**2** No
- Ten1** In which of these ways does the respondent occupy this property  
**Own** Own it outright  
**Morg** Buying it with the help of a mortgage or loan  
**Share** Pay part rent and part mortgage (shared ownership)  
**Rent** Rent it  
**RentF** Live here rent-free (including rent-free in relative's/ friend's property; excluding squatting)  
**Squat** Squatting



## B160 – Education – total amount paid last quarter

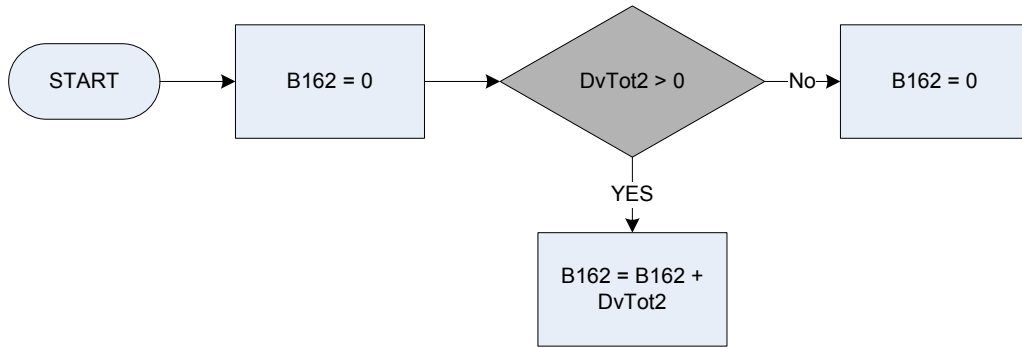


### KEY

**DvTot**  
**Ed1Psn**

Derived from Ed1Amt to give a weekly amount – (*Ed1Amt – Education: What is the total amount paid in the last 3 months?*)  
Education: Who is/was attending the course? (Code 97 for someone outside of the household attending the course)

## B162 – Leisure class fees paid - amount

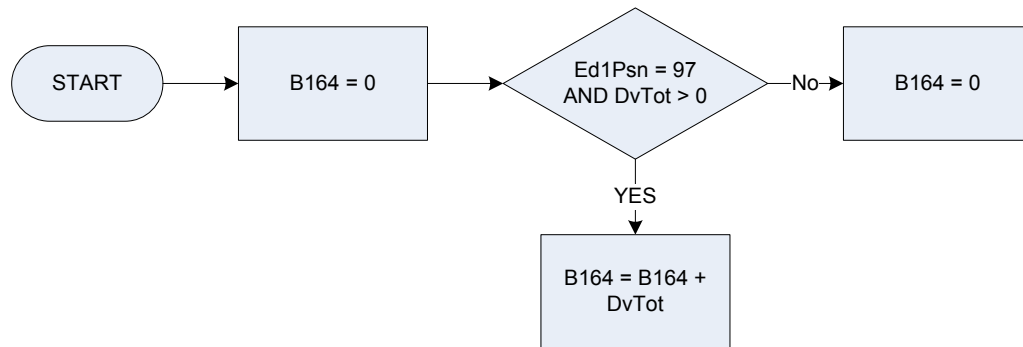


### KEY

**DvTot2**

Derived from TotPaid to give a weekly amount – (*TotPaid – Leisure Classes: What is the total amount paid in the last 3 months?*)

## B164 – Members outside household – total educ fees for last quarter

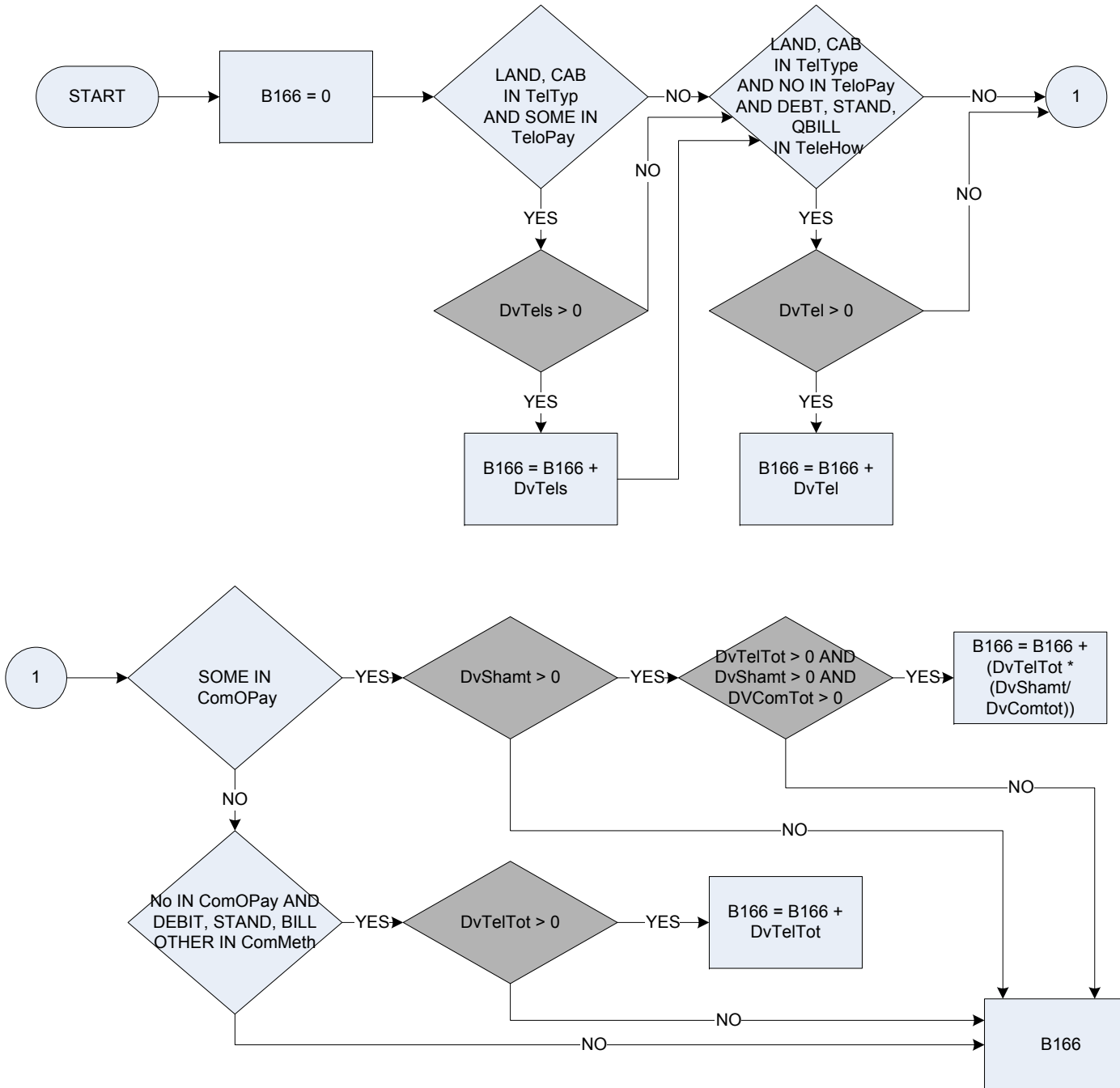


### KEY

**DvTot**  
**Ed1Psn**

Derived from Ed1Amt to give a weekly amount – (*Ed1Amt – Education: What is the total amount paid in the last 3 months?*)  
Education: Who is/was attending the course? (Code 97 for someone outside of the household attending the course)

## B166 – Telephone, household share of account (excl mobiles)



### KEY

**DvTel**

Derived from TelAcAmt to give a weekly amount – (TelAcAmt – Telephone: How much did the respondent pay last time?)

**DvTels**

Derived from TelShAmt to give a weekly amount – (TelShamt – Telephone: How much was the respondents share?)

**TeleHow**

By which method does the respondent pay?

**Acct** account

**Budget** budgeting scheme

**Other** or by some other method?

**TeloPay**

Did anyone outside the household, other than the respondents employer, give money for?

**All** all

**Some** or some of the account?

**No** Spontaneous - No to both

**TelType**

What is the type of phone service?

**Merc** BT/Mercury landline

**Mob** Mobile phone

**Cab** Cable phone

**ComoPay**

Did anyone outside the household, other than employer, give you the money for?

**All** all

**Some** or some of the account?

**No** Spontaneous - No to both

**ComMeth**

Which of these methods does the respondent use to pay?

**Debit** Direct debit

**Stand** Standing order

**Bill** Monthly/Quarterly bill

**Other** Other (please specify)

**DvShamt**

Derived from ComShAmt to give a weekly amount – (ComShAmt – How much was the respondent's share?)

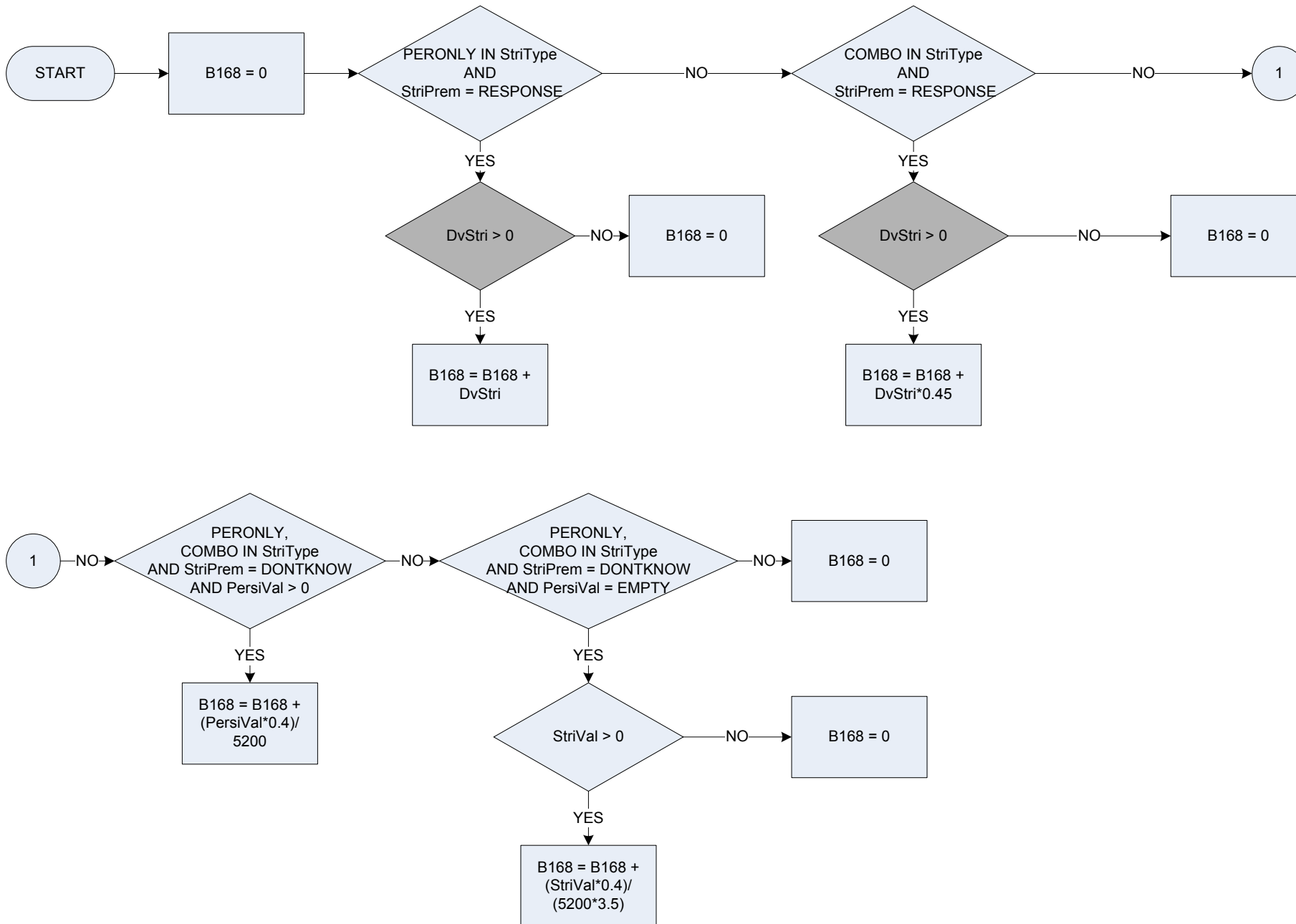
**DvTelTot**

Derived from TelTot to give a weekly amount – (TelTot – How much of the total was for telephone services?)

**DvComTot**

Derived from ComAcAmt to give a weekly amount – (ComAcAmt – How much was the respondent's share?)

**B168 – Contents insurance – amount of last premium**

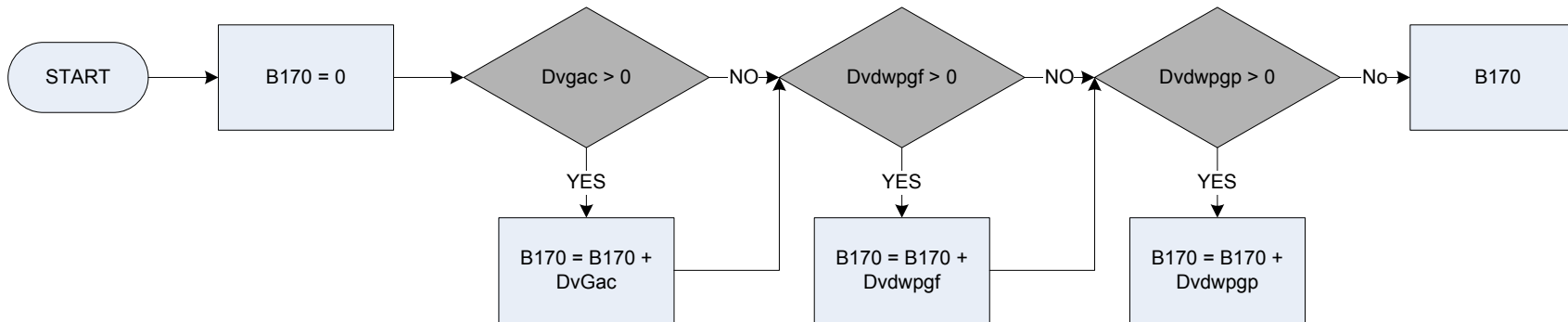


## B168 – Contents insurance – amount of last premium

### KEY

<b>DvStri</b>	Derived from StripRem – How much was the last premium? - to give a weekly amount
<b>PersiVal</b>	What is the insured value of the furniture and contents and/or personal possessions?
<b>StriPrem</b>	Structural Insurance: How much was the last premium?
<b>StriType</b>	Are the payments for: <b>StrOnly</b> <i>structure only</i> <b>Combo</b> <i>structure combined with furniture and contents and/or personal possessions</i> <b>PerOnly</b> <i>or furniture and contents and/or personal possessions?</i>
<b>StriVal</b>	What is the insured value of the structure?

## B170 – Gas – amount paid in last account



### KEY

**Dvgac**

Derived from GAcAmt to give a weekly amount – (GAcAmt – Gas: How much did the respondent pay last time, excluding rental of appliances, hire purchase, loans or regular maintenance charges?)

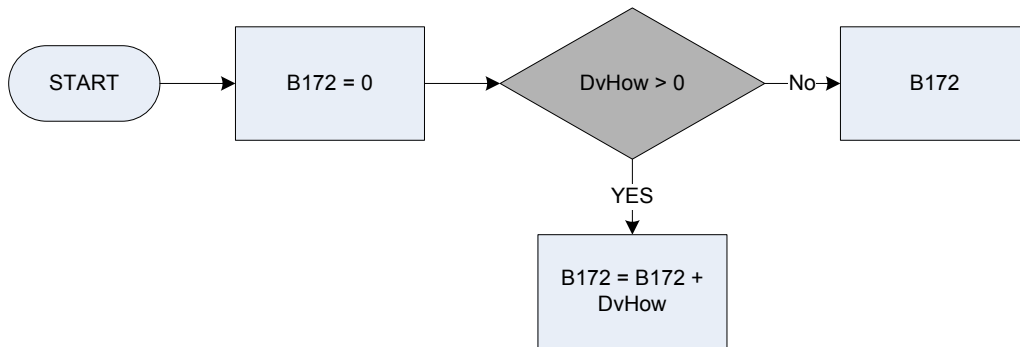
**Dvdwpgf**

Derived from DWPGasF to give a weekly amount – (DWPGasF – Gas: How much did DWP contribute to the last payment?)

**Dvdwpgp**

Derived from DWPGasP to give a weekly amount – (DWPGasP – Gas: How much did the respondent contribute towards the last payment?)

## B172 – Vehicle sold – net amount received



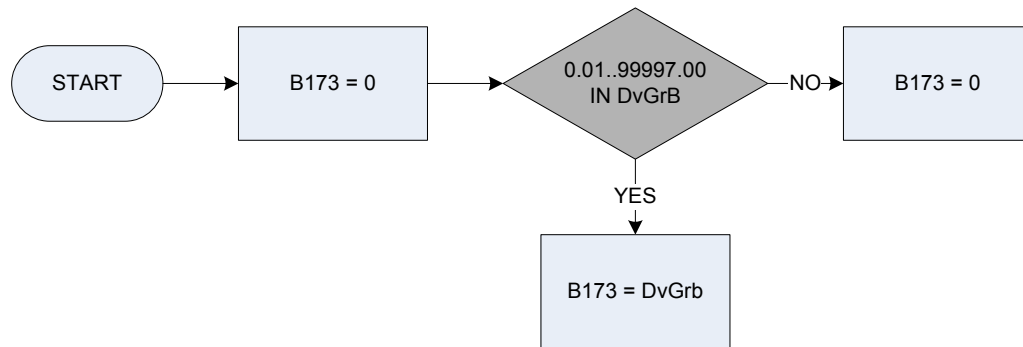
### KEY

**DvHow**

Derived from VhSAmt to give a weekly amount – (*VhSAmt – Vehicles: How much did the respondent receive for the sold vehicle?*)



## B173 – Gas – amount last slot meter rebate

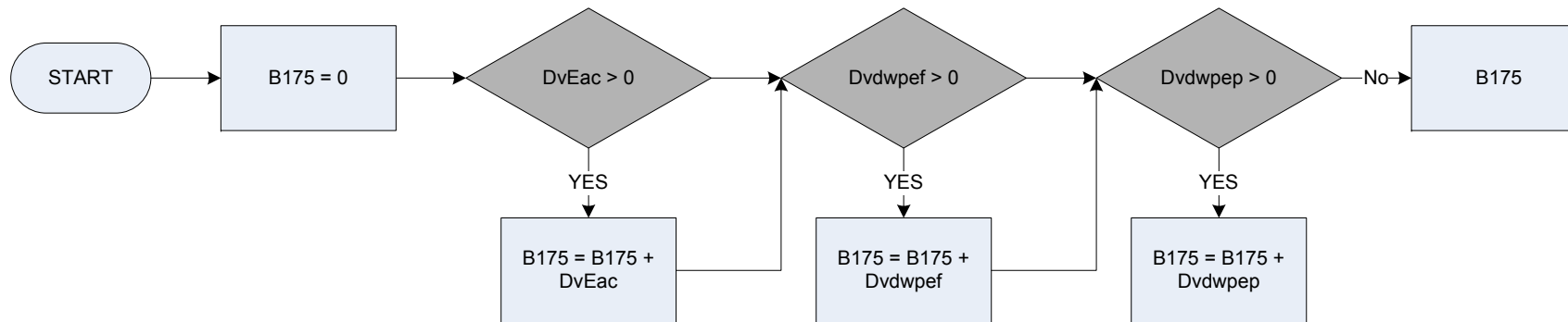


### KEY

**DvGrB**

Derived from GRbtAmt to give a weekly amount – (GRbtAmt – Gas: How much was the last rebate before any deductions for hire purchase or credit sale?)

## B175 – Electricity – amount paid in last account



### KEY

#### DvEac

Derived from EAcAmt to give a weekly amount (*EAcAmt - Electricity: How much did the respondent pay last time, excluding rental of appliances, hire purchase, loans or regular maintenance charges?*)

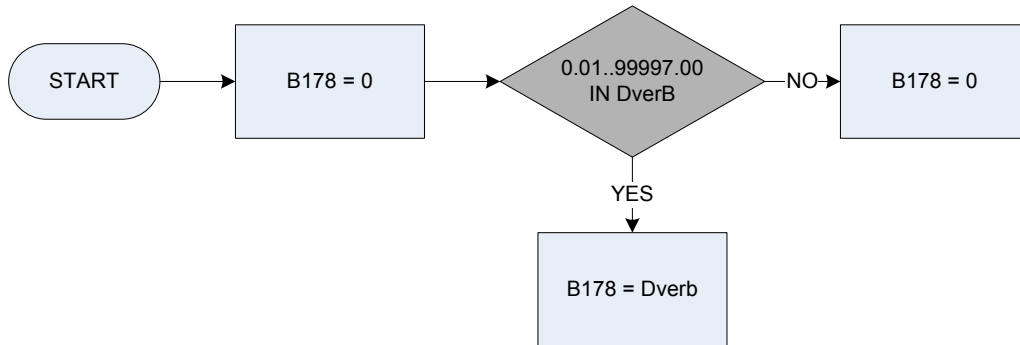
#### Dvdwpef

Derived from DWPElecF to give a weekly amount (*DWPElecF - How much did the respondent contribute to the last payment?*)

#### Dvdwpep

Derived from DWPElecP to give a weekly amount (*DWPElecP - How much did you contribute towards your last payment?*)

## B178 – Electricity – amount last slot meter rebate

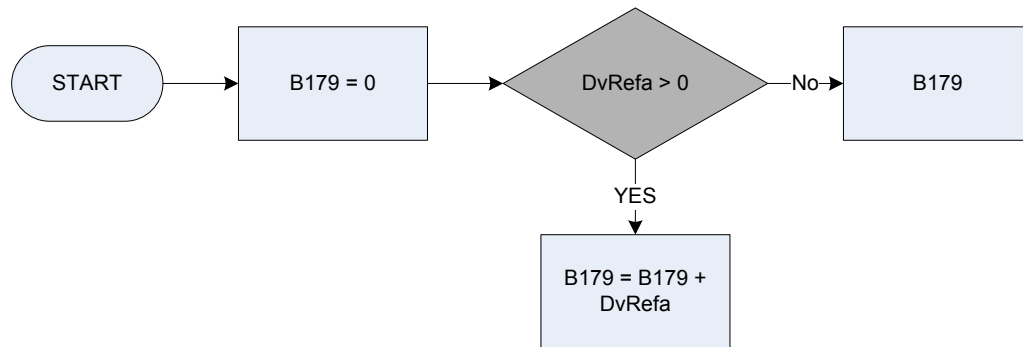


### KEY

**Dverb**

Derived from ERbtAmt to give a weekly amount – (ERbtAmt – Electricity: How much was the last rebate before any deductions for hire purchase or credit sale?)

## B179 – Vehicle road tax – amount refunded last year

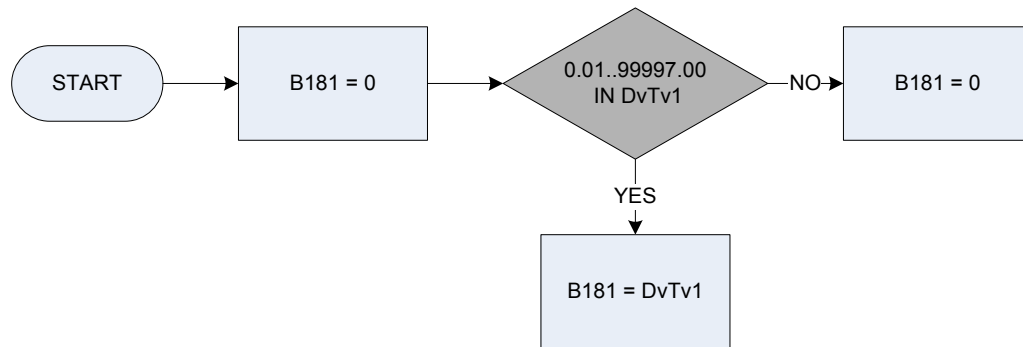


### KEY

**DvRefa**

Derived from Refam to give a weekly amount – (*Refam - Road tax: What was the amount refunded last year?*)

## B181 – TV licence – amount paid last year

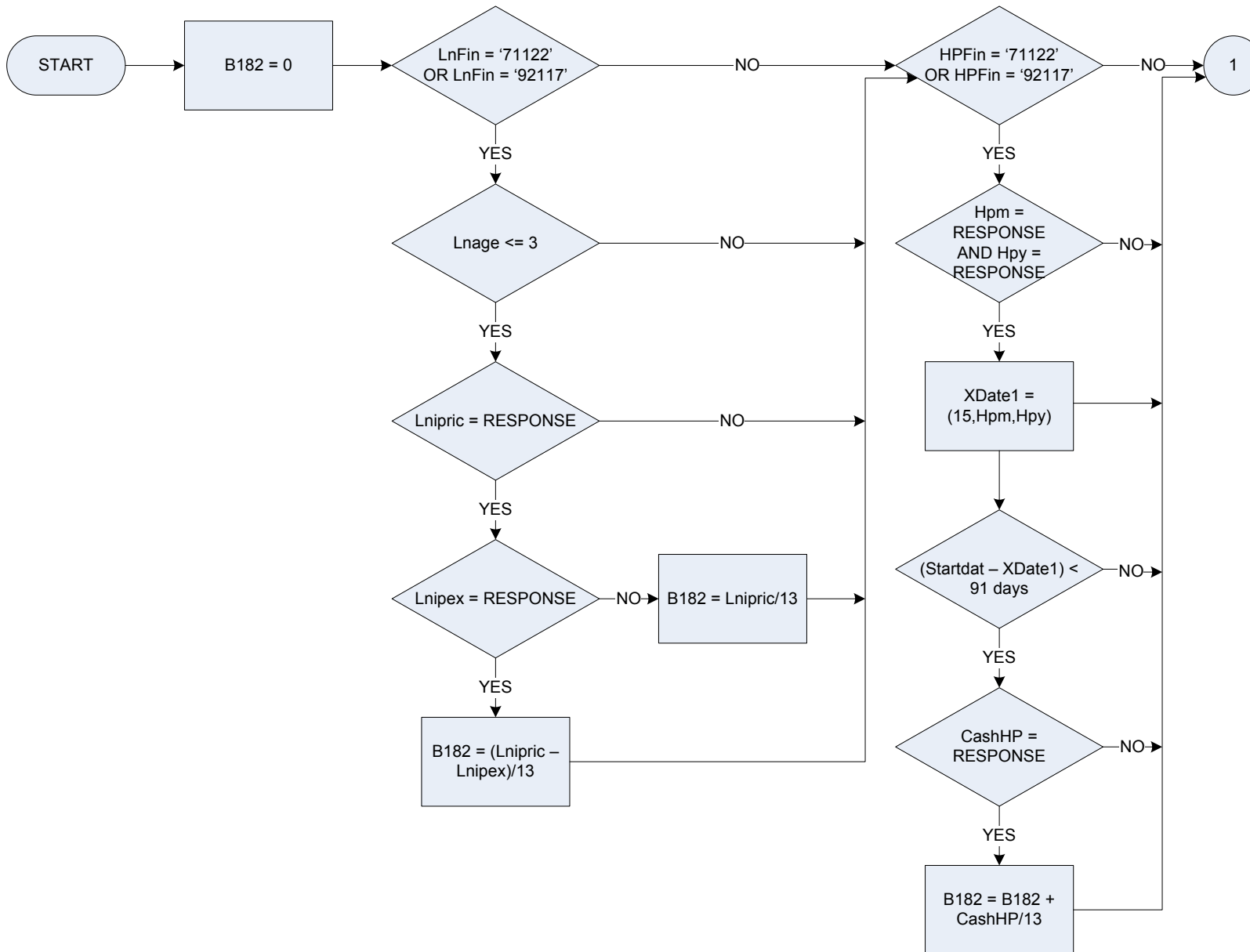


### KEY

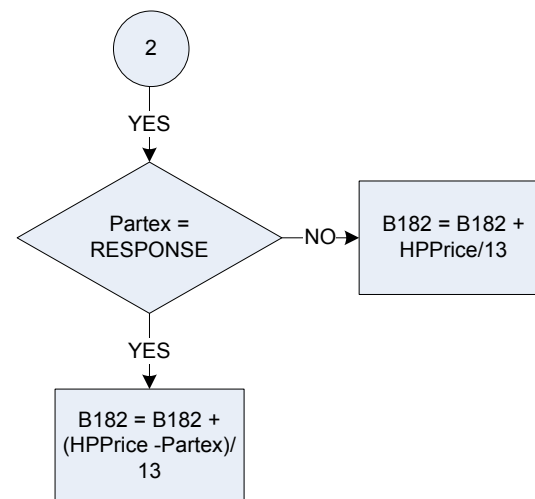
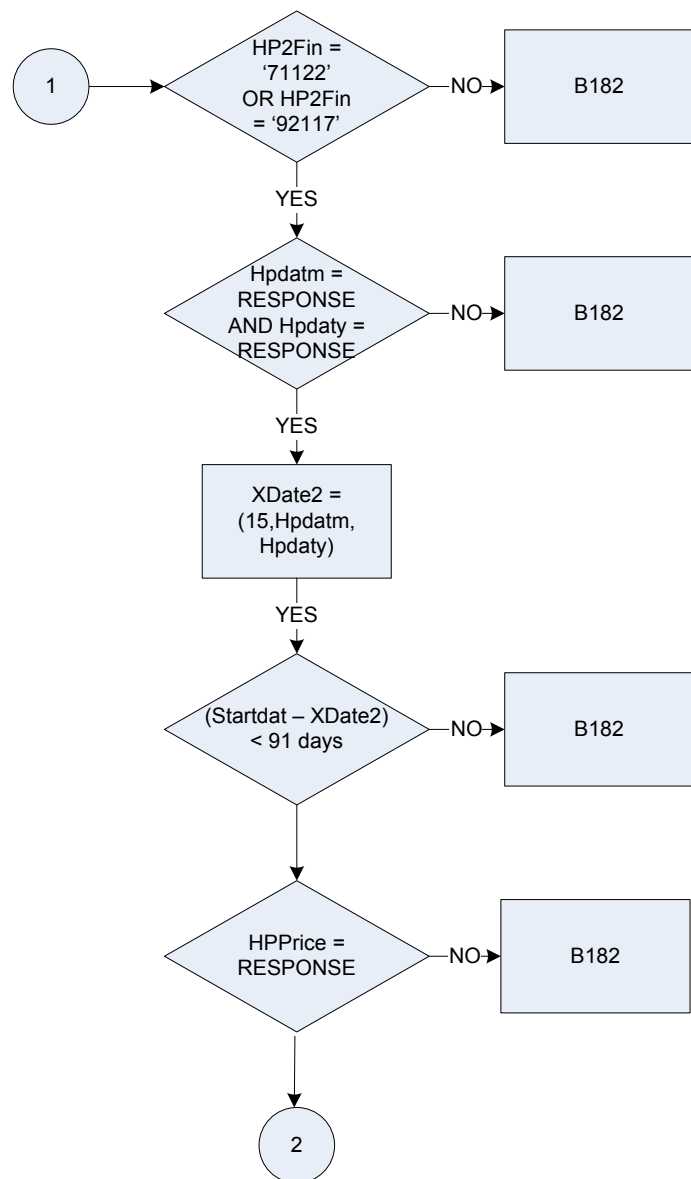
**DvTv1**

Derived from TVPayAmt to give a weekly amount – *(TVPayAmt – Rental/Subscription: How much did the respondent pay last time?)*

**B182 – Credit purchase – net cost second hand vehicles**



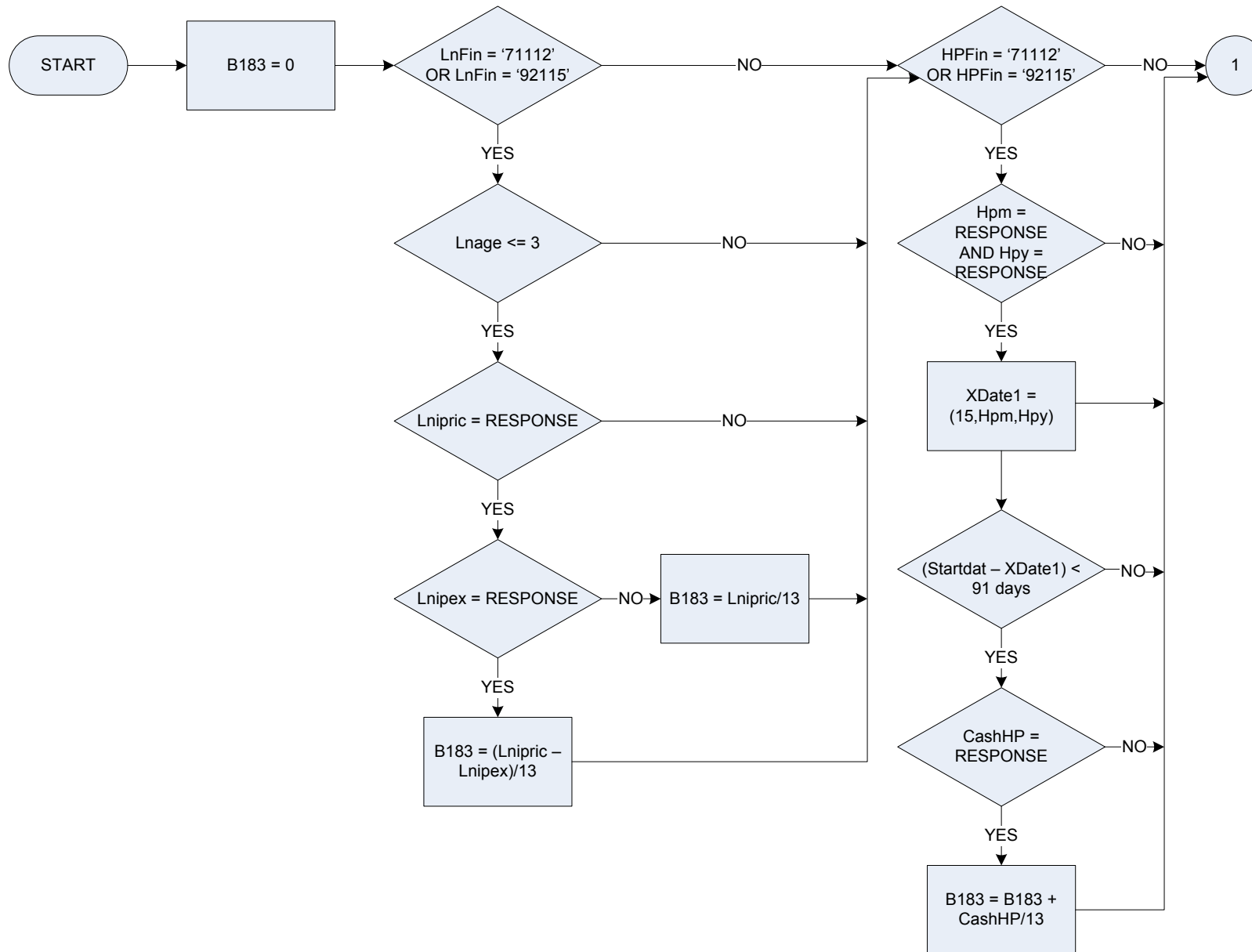
## B182 – Credit purchase – net cost second hand vehicles



### KEY

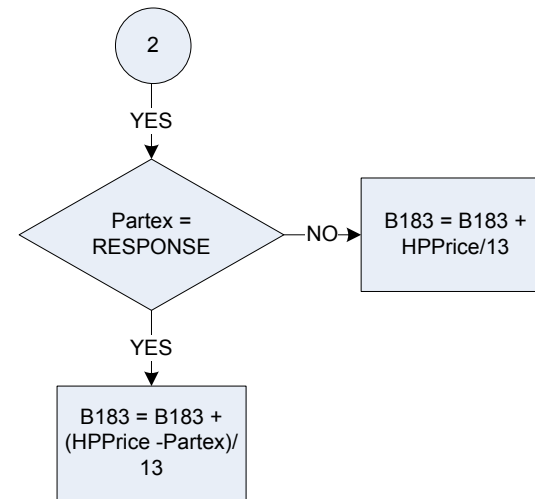
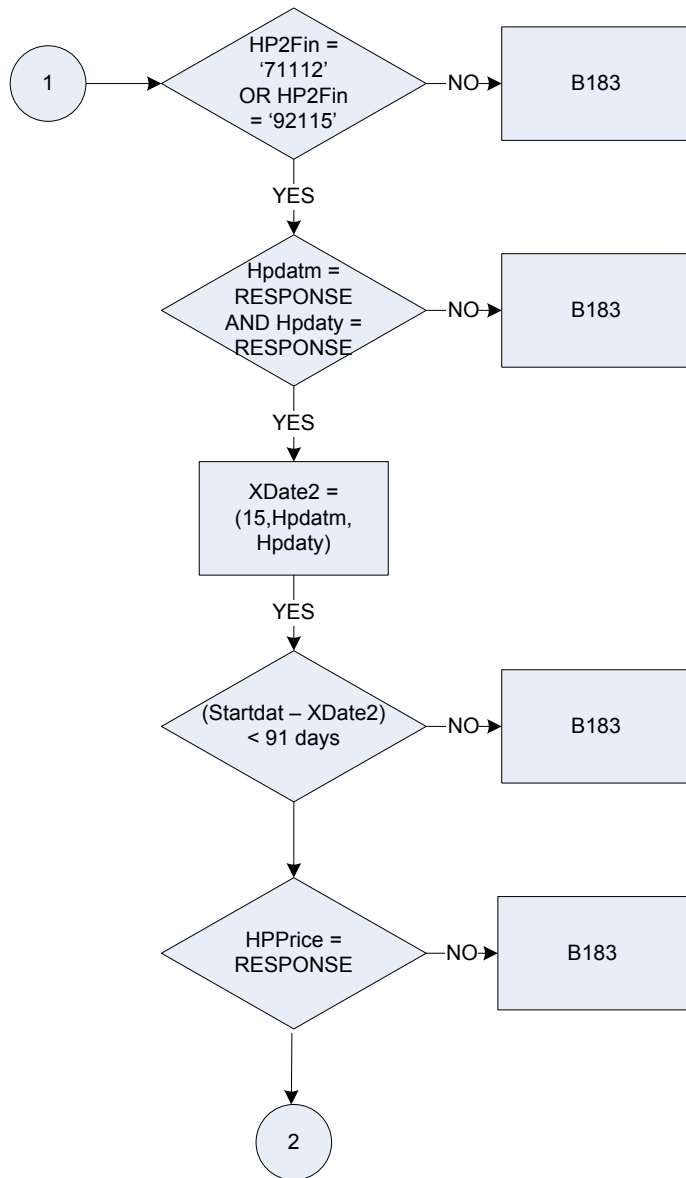
<b>CashHP</b>	Weekly equivalent value of the cash price
<b>HP2Fin</b>	<b>71122</b> Second hand car/van: Loan or HP <b>92115</b> Purchase of second hand motor caravan – outright
<b>Hpdatm</b>	In which month did the respondent obtain the item or service?
<b>Hpdaty</b>	In which year did the respondent obtain the item or service?
<b>HPFin</b>	<b>71122</b> Second hand car/van: loan or HP <b>92115</b> Purchase of second hand motor caravan – outright
<b>Hpm</b>	In which month did the respondent obtain the item or service?
<b>HPPrice</b>	What was the cash price?
<b>Hpy</b>	In which year did the respondent obtain the item or service?
<b>LnAge</b>	Age of loan in months
<b>LnFin</b>	<b>71112</b> Second hand car/van: Loan or HP <b>92117</b> Purchase of second hand motor caravan – outright
<b>Lnipex</b>	How much was allowed in part exchange?
<b>Lnipric</b>	Total cash price
<b>Partex</b>	How much was allowed in part exchange?
<b>Startdat</b>	Date of interview

**B183 – Credit purchase – net cost second hand vehicles**





## B183 – Credit purchase – net cost second hand vehicles



### KEY

**CashHP**  
**HP2Fin**

Weekly equivalent value of the cash price  
71112 New car/van: Loan or HP

**Hpdatm**  
**Hpdaty**  
**HPFin**

92115 Purchase of new motor caravan – outright  
In which month did the respondent obtain the item or service?  
In which year did the respondent obtain the item or service?

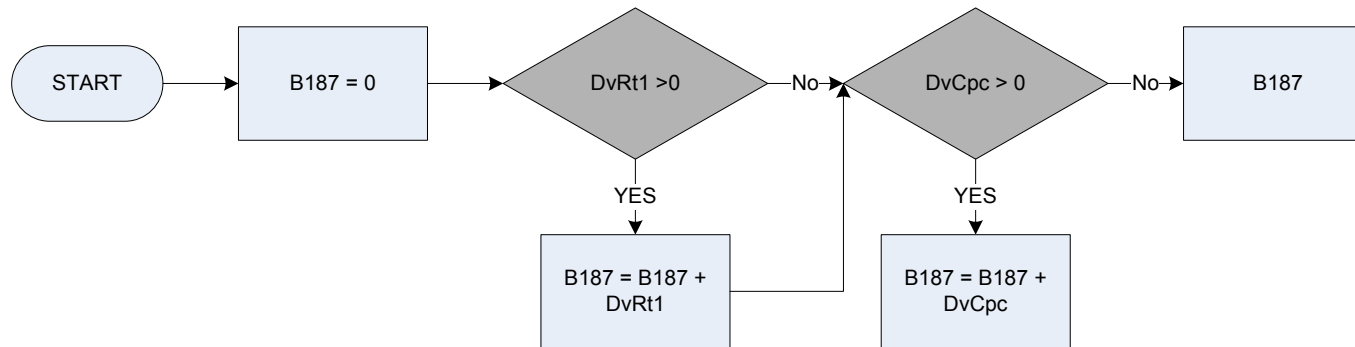
**Hpm**  
**HPPrice**  
**Hpy**  
**LnAge**  
**LnFin**

71112 New car/van: Loan or HP  
92115 Purchase of new motor caravan – outright  
In which month did the respondent obtain the item or service?  
What was the cash price?  
In which year did the respondent obtain the item or service?  
Age of loan in months

**Lnipex**  
**Lnipric**  
**Partex**  
**Startdat**

71117 Purchase of second hand motor caravan – outright  
How much was allowed in part exchange?  
Total cash price  
How much was allowed in part exchange?  
Date of interview

## B187 – Vehicle road tax – amount paid last year



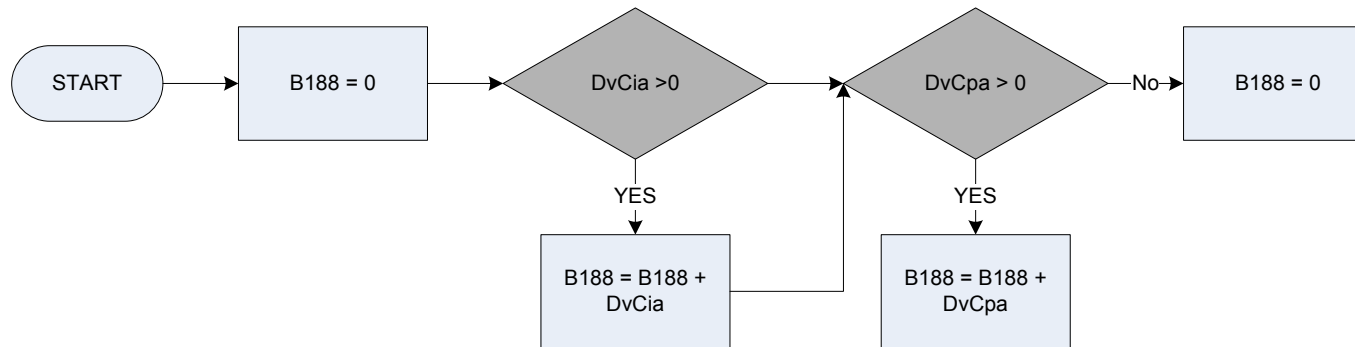
### KEY

**DvRt1**  
**DvCpc**

Derived from RtAmt to give a weekly amount – (*RtAmt – Vehicles: How much has the respondent paid for road tax?*)

Derived from CpcTaxAm to give a weekly amount – (*CpcTaxAm - Vehicles: How much was included for road tax in the cash price of the vehicle?*)

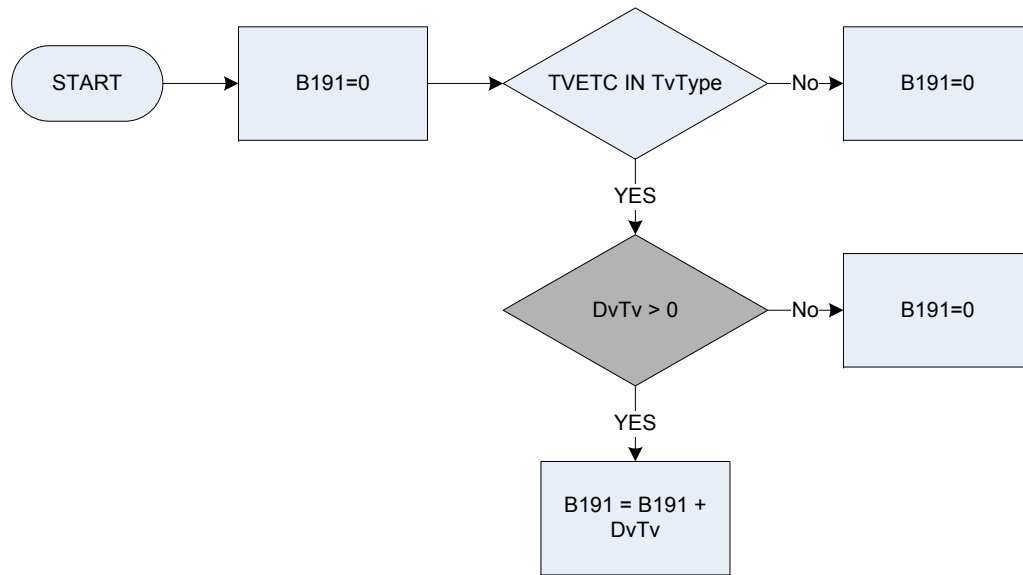
## B188 – Vehicle road tax – amount paid last year



### KEY

**DvCia** Derived from CIAmt to give a weekly amount – (*CIAmt – Vehicles: How much was the respondent's last payment?*)  
**Dvcpa** Derived from CPInsAmt to give a weekly amount – (*CPInsAmt – Vehicles: How much was included for vehicle insurance?*)

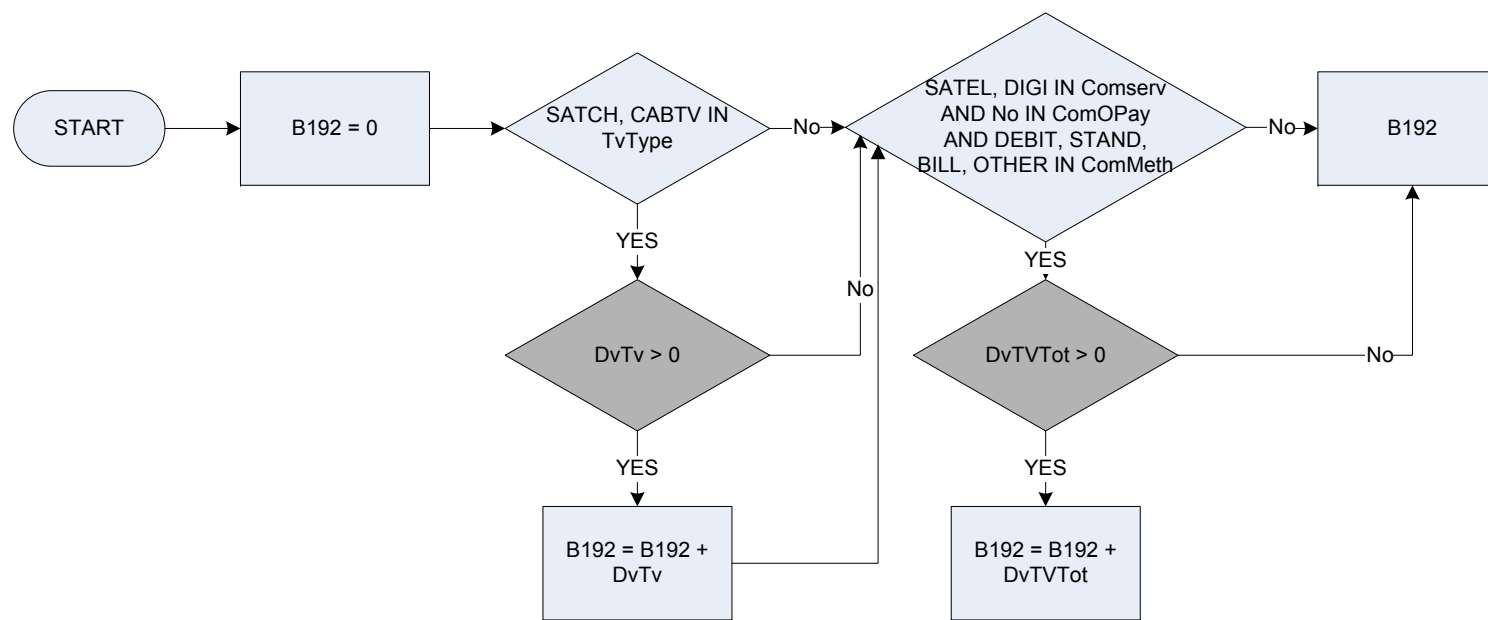
**B191 – Rent for TV | Satellite | VCR – weekly amount**



**KEY**

- DvTv** Derived from TVPayAmt to give a weekly amount – (TVPayAmt – Rental/Subscription: How much did the respondent pay last time?)  
**TvType** What does your payment cover?
- TVETC** Hire or rental of a TV/DVD player/Blu Ray player/Digital recorder
  - Satch** Satellite channels subscription
  - Cable** Cable TV subscription
  - CabTV** Digital TV Subscription (e.g. BT Vision)

## B192 – Satellite subscription – weekly amount



### KEY

#### ComMeth

Which of these methods does the respondent use to pay?

- Debit** Direct debit
- Stand** Standing order
- Bill** Monthly/Quarterly bill
- Other** Other (please specify)

#### ComoPay

Did anyone outside the household, other than employer, give you the money for?

- All** all
- Some** or some of the account?
- No** Spontaneous - No to both

#### Comserv

Which of the services on this card are included in the combined package?

- Land** Landline phone
- CableP** Cable phone
- Mobil** Mobile phone/mobile phone internet
- Satel** Subscription to satellite channels
- Cable** Subscription to cable TV channels
- Digi** Subscription to digital TV channels
- Dial** Dial-up internet through a landline cable phone line
- Broad** Broadband internet through a landline/cable phone line
- Wirel** Mobile internet (excluding internet used on a mobile phone)
- Other** Other (please specify)

#### DvTv

Derived from TvPayAmt to give a weekly amount – (TvPayAmt – Rental/Subscription: How much did the respondent pay last time?)

#### DvTVTot

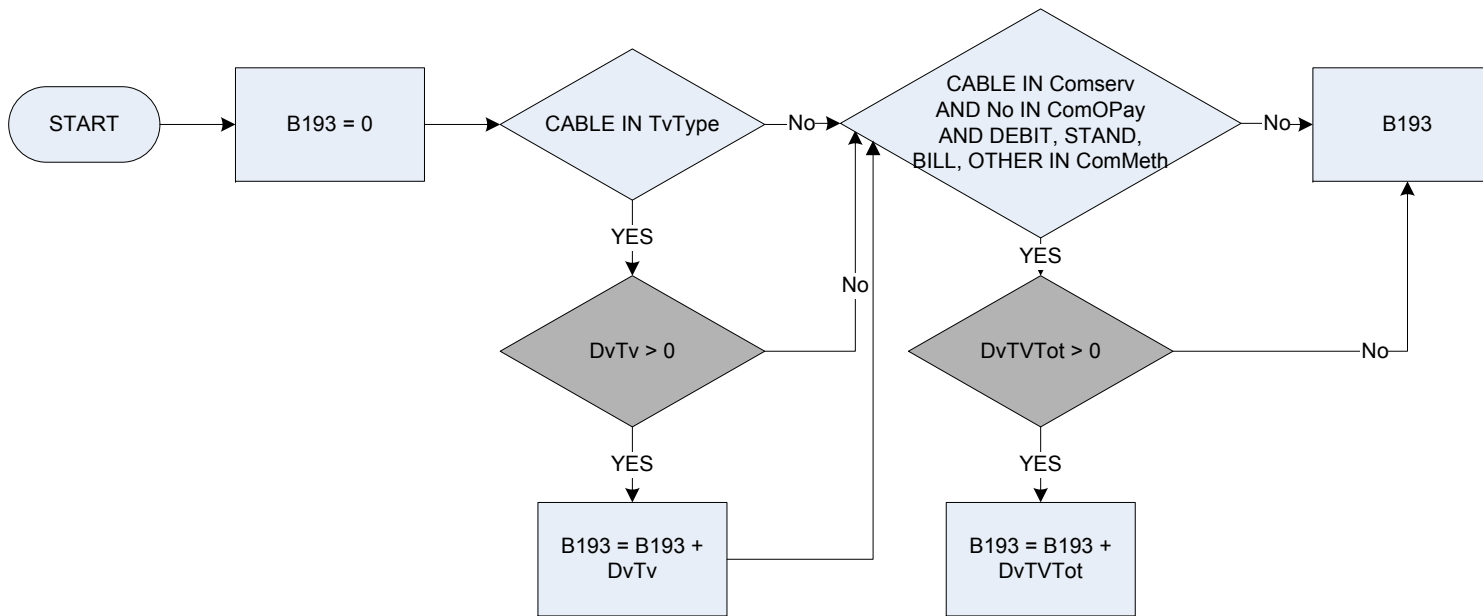
Derived from ComTVTot to give a weekly amount – (ComTvTot – Combined packages: How much of total was for television services?)

#### TvType

What does your payment cover?

- TVETC** Hire or rental of a TV/DVD player/Blu Ray player/Digital recorder
- Satch** Satellite channels subscription
- Cable** Cable TV subscription
- CabTV** Digital TV Subscription (e.g. BT Vision)

## B193 – Cable subscription – weekly amount



### KEY

#### ComMeth

Which of these methods does the respondent use to pay?

- Debit** Direct debit
- Stand** Standing order
- Bill** Monthly/Quarterly bill
- Other** Other (please specify)

#### ComoPay

Did anyone outside the household, other than employer, give you the money for?

- All** all
- Some** or some of the account?
- No** Spontaneous - No to both

#### Comserv

Which of the services on this card are included in the combined package?

- Land** Landline phone
- CableP** Cable phone
- Mobil** Mobile phone/mobile phone internet
- Satel** Subscription to satellite channels
- Cable** Subscription to cable TV channels
- Digi** Subscription to digital TV channels
- Dial** Dial-up internet through a landline/cable phone line
- Broad** Broadband internet through a landline/cable phone line
- Wirel** Mobile internet (excluding internet used on a mobile phone)
- Other** Other (please specify)

#### DvTv

Derived from TvPayAmt to give a weekly amount – (TvPayAmt – Rental/Subscription: How much did the respondent pay last time?)

#### DvTVTot

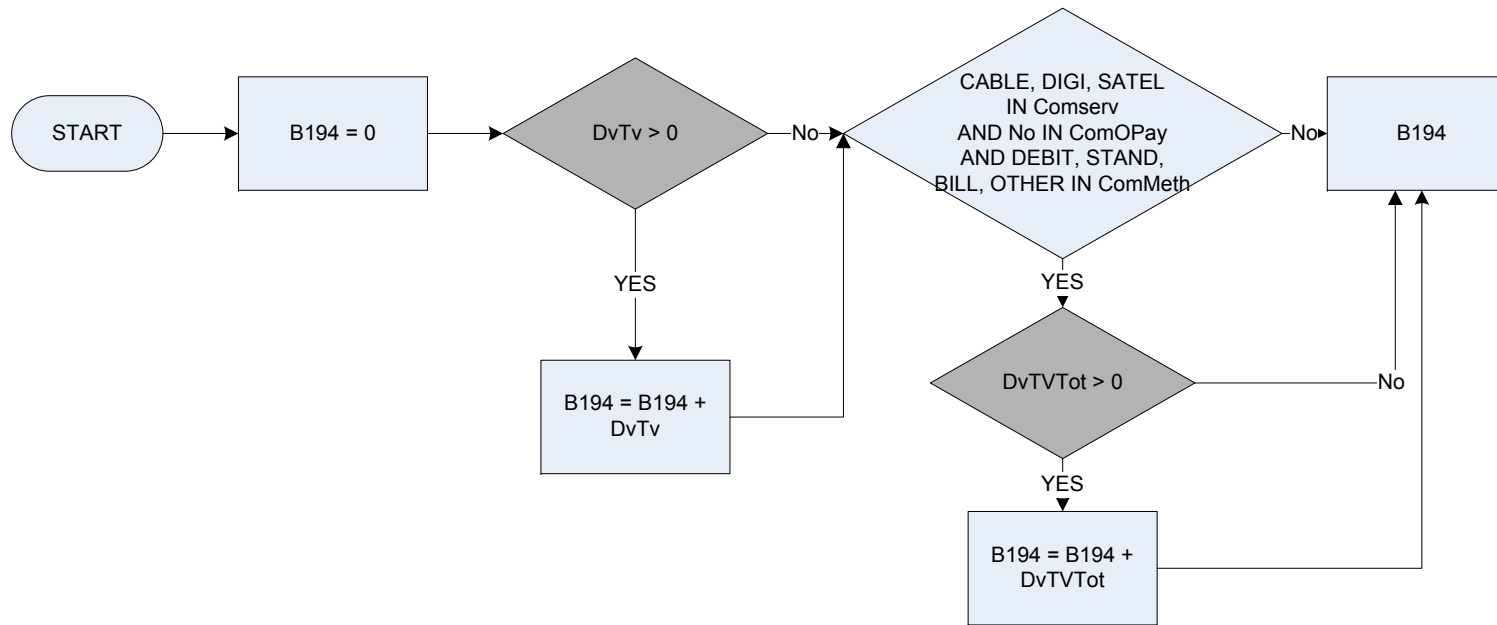
Derived from ComTVTot to give a weekly amount – (ComTvTot – Combined packages: How much of total was for television services?)

#### TvType

What does your payment cover?

- TVETC** Hire or rental of a TV/DVD player/Blu Ray player/Digital recorder
- Satch** Satellite channels subscription
- Cable** Cable TV subscription
- CabTV** Digital TV Subscription (e.g. BT Vision)

## B194 – Rent/subscription for TV | cable | satellite | VCR – weekly amount



### KEY

#### ComMeth

Which of these methods does the respondent use to pay?

- Debit** Direct debit
- Stand** Standing order
- Bill** Monthly/Quarterly bill
- Other** Other (please specify)

#### ComoPay

Did anyone outside the household, other than employer, give you the money for?

- All** all
- Some** or some of the account?

#### Comserv

Which of the services on this card are included in the combined package?

- Land** Landline phone
- CableP** Cable phone
- Mobil** Mobile phone/mobile phone internet
- Satel** Subscription to satellite channels
- Cable** Subscription to cable TV channels
- Digi** Subscription to digital TV channels
- Dial** Dial-up internet through a landline cable phone line
- Broad** Broadband internet through a landline/cable phone line
- Wirel** Mobile internet (excluding internet used on a mobile phone)
- Other** Other (please specify)

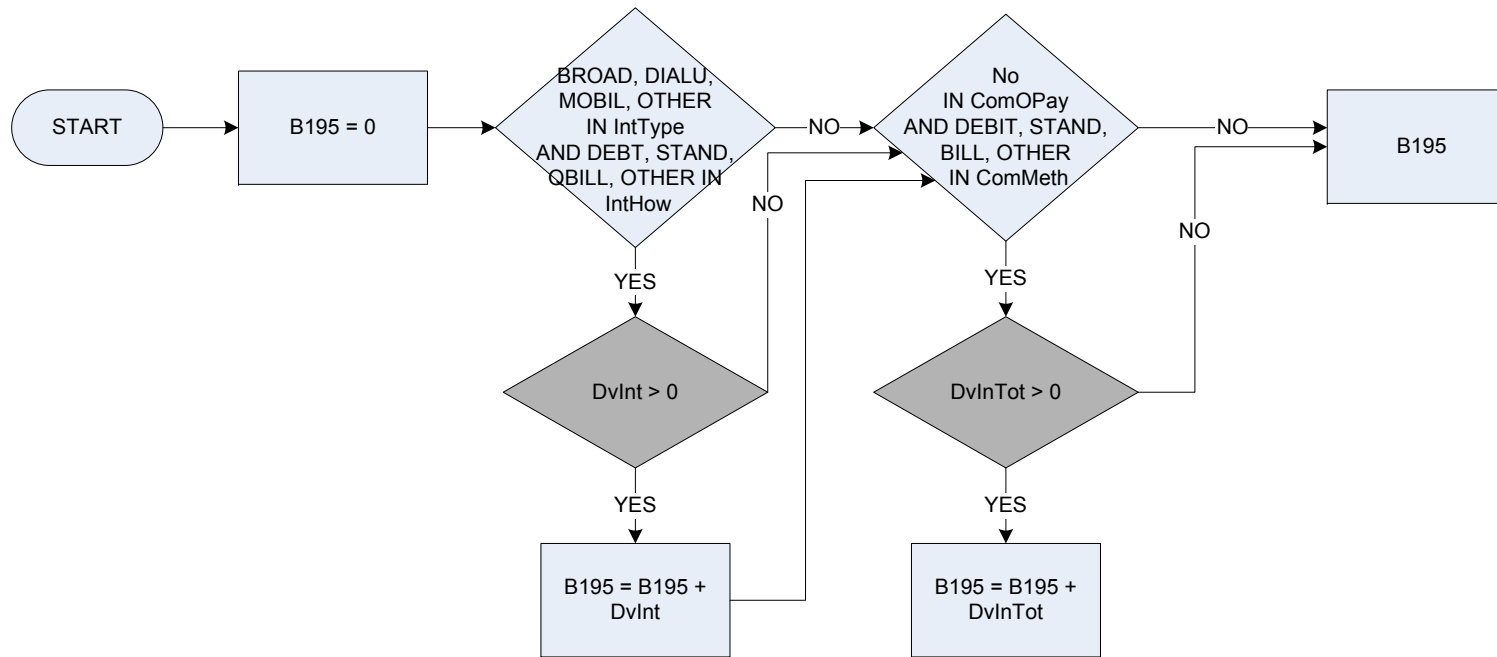
#### DvTv

Derived from TvPayAmt to give a weekly amount – (TvPayAmt – Rental/Subscription: How much did the respondent pay last time?)

#### DvTVTot

Derived from ComTVTot to give a weekly amount – (ComTVTot – Combined packages: How much of total was for television services?)

## B195 – Internet – weekly amount



### KEY

#### ComMeth

Which of these methods does the respondent use to pay?

**Debit** Direct debit

**Stand** Standing order

**Bill** Monthly/Quarterly bill

**Other** Other (please specify)

#### ComoPay

Did anyone outside the household, other than employer, give you the money for?

**All** all

**Some** or some of the account?

**No** Spontaneous - No to both

#### DvInt

Derived from IntAmt to give a weekly amount – (IntAmt – Internet: How much did the respondent pay last time?)

#### DvInTot

Derived from IntTot to give a weekly amount – (IntTot – How much of the total was for internet services?)

#### IntHow

Which of these methods does the respondent use to pay?

**Debit** Direct debit

**Stand** Standing order

**Bill** Monthly/Quarterly bill

**Other** Other (please specify)

#### IntType

What is the type of internet service?

**Broad** Broadband through a landline/cable phone

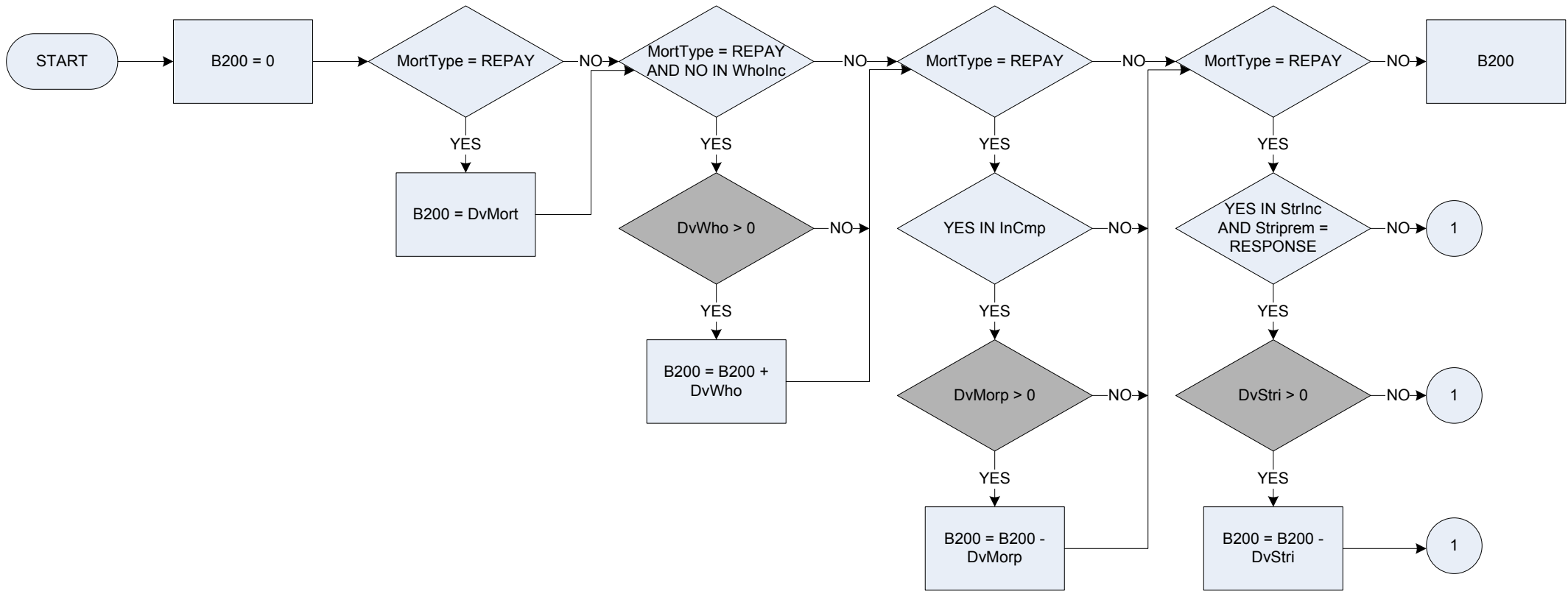
**Dialu** Dial-up through a landline/cable phone

**Mobil** Mobile internet

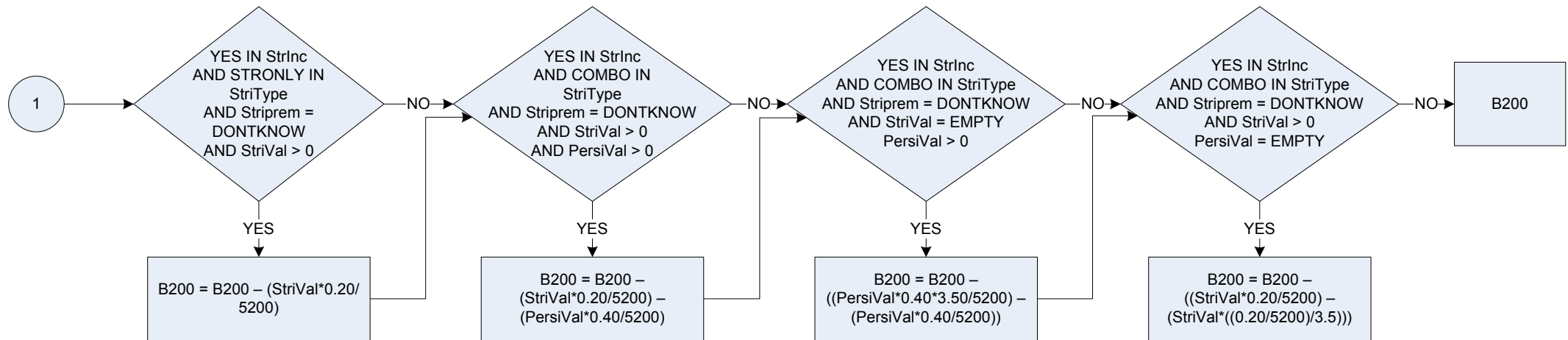
**Other** Another type of internet connection



# B200 – Mortgage interest/principle – last payment



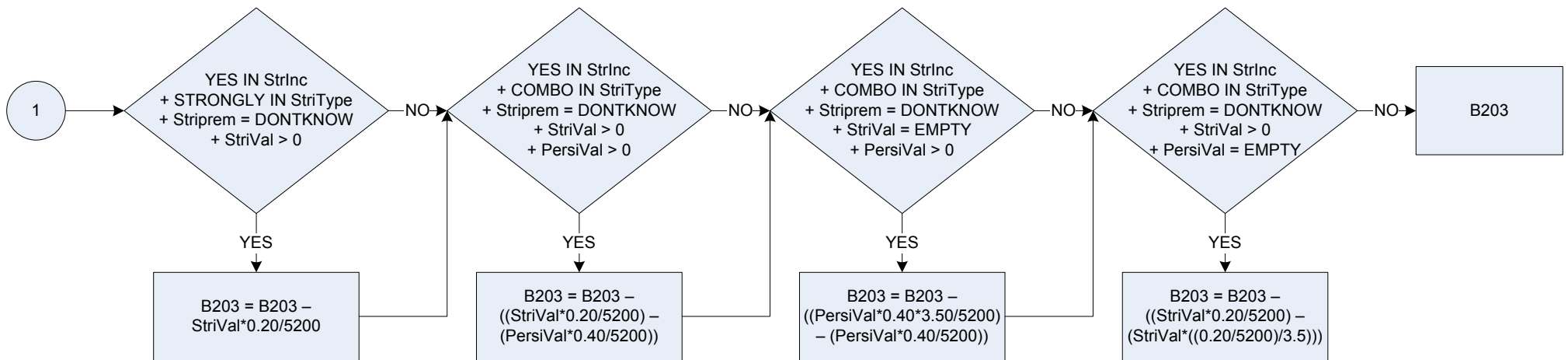
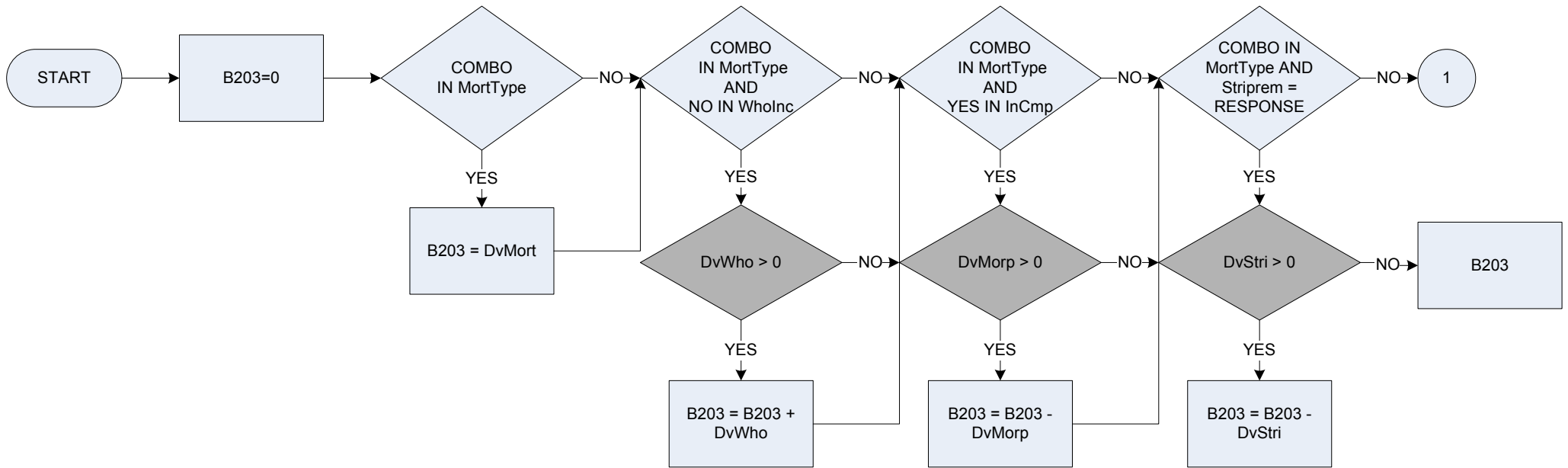
## B200 – Mortgage interest/principle – last payment



### KEY

<b>DvMorp</b>	Derived from MortProt to give a weekly amount – ( <i>MortProt – Mortgage: (Apart from any endowment policies the respondent had mentioned). Do they have a mortgage protection policy to repay this mortgage in the event of sickness/accident, redundancy or death?</i> )
<b>DvMort</b>	Derived from MortPay to give a weekly amount – ( <i>MortPay – Mortgage: How much was the respondent's last payment on this mortgage or loan?</i> )
<b>DvStri</b>	Derived from StriPrem to give a weekly amount – ( <i>StriPrem – Structural Insurance: How much was the last premium?</i> )
<b>DvWho</b>	Derived from WhoAmt to give a weekly amount – ( <i>WhoAmt – Mortgage: How much did the respondent pay last time?</i> )
<b>InCmp</b>	Is this payment included in the amount of [£amount] the respondent mentioned earlier?
<b>MortType</b>	What type of mortgage does the respondent have? <b>Endow</b> an endowment mortgage where your mortgage payments cover interest only? <b>Repay</b> or a repayment mortgage where your mortgage payments cover interest and part of the original loan? <b>Pension</b> or a pension mortgage where your mortgage payments cover interest only? <b>PEP</b> or a PEP, ISA or Unit Trust mortgage? <b>COMBO</b> or BOTH an endowment (or pension) mortgage AND a repayment mortgage?
<b>PersiVal</b>	What is the insured value of the furniture and contents and/or personal possessions?
<b>Strinc</b>	Was this insurance premium included in the respondent's last mortgage payment?
<b>Striprem</b>	How much was the last premium?
<b>StriType</b>	Are the payments for: <b>StrOnly</b> structure only <b>Combo</b> structure combined with furniture and contents and/or personal possessions <b>PerOnly</b> or furniture and contents and/or personal possessions?
<b>StriVal</b>	What is the insured value of the structure?
<b>Wholnc</b>	Was this amount included in the mortgage repayment the respondent mentioned earlier?

## B203 – Mixed mortgage – last payment

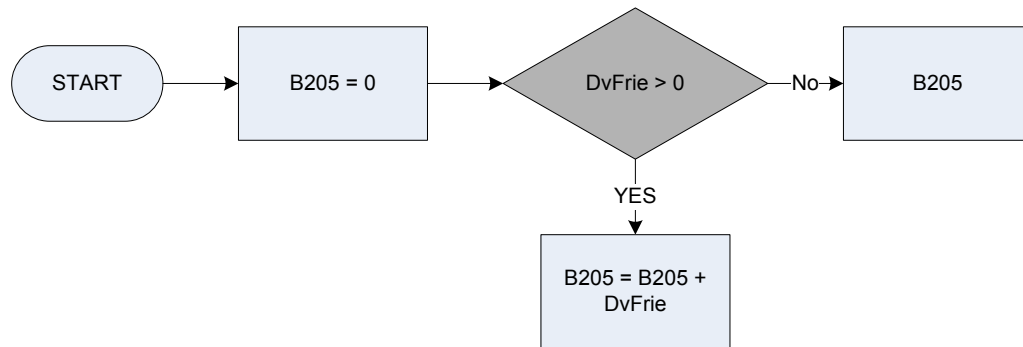


## B203 – Mixed mortgage – last payment

### KEY

<b>DvMorp</b>	Derived from MortProt to give a weekly amount – ( <i>DvMorp – Mortgage: (Apart from any endowment policies they have mentioned). Does the respondent have a mortgage protection policy to repay this mortgage in the event of sickness/accident, redundancy or death?</i> )
<b>DvMort</b>	Derived from MortPay to give a weekly amount – ( <i>MortPay – Mortgage: How much was the respondent's last payment on this mortgage or loan?</i> )
<b>DvStri</b>	Derived from StriPrem to give a weekly amount – ( <i>StriPrem – Structural Insurance: How much was the last premium?</i> )
<b>DvWho</b>	Derived from WhoAmt to give a weekly amount – ( <i>WhoAmt – Mortgage: How much did the respondent pay last time?</i> )
<b>InCmp</b>	Is this payment included in the amount the respondent mentioned earlier?
<b>MortType</b>	What type of mortgage does the respondent have? <b>Endow</b> an endowment mortgage where your mortgage payments cover interest only? <b>Repay</b> a repayment mortgage where your mortgage payments cover interest and part of the original loan? <b>Pension</b> a pension mortgage where your mortgage payments cover interest only? <b>PEP</b> a PEP, ISA or Unit Trust mortgage? <b>COMBO</b> BOTH an endowment (or pension) mortgage AND a repayment mortgage?
<b>Persival</b>	What is the insured value of the furniture and contents and/or personal possessions?
<b>StrInc</b>	Was this insurance premium included in the respondent's last mortgage payment?
<b>Stritype</b>	Are the payments for: <b>StrOnly</b> structure only <b>Combo</b> structure combined with furniture and contents and/or personal possessions <b>PerOnly</b> or furniture and contents and/or personal possessions
<b>Strival</b>	What is the insured value of the structure?
<b>Wholnc</b>	Was this amount included in the mortgage repayment the respondent mentioned earlier?

## B205 – Friendly societies – deductions from main pay

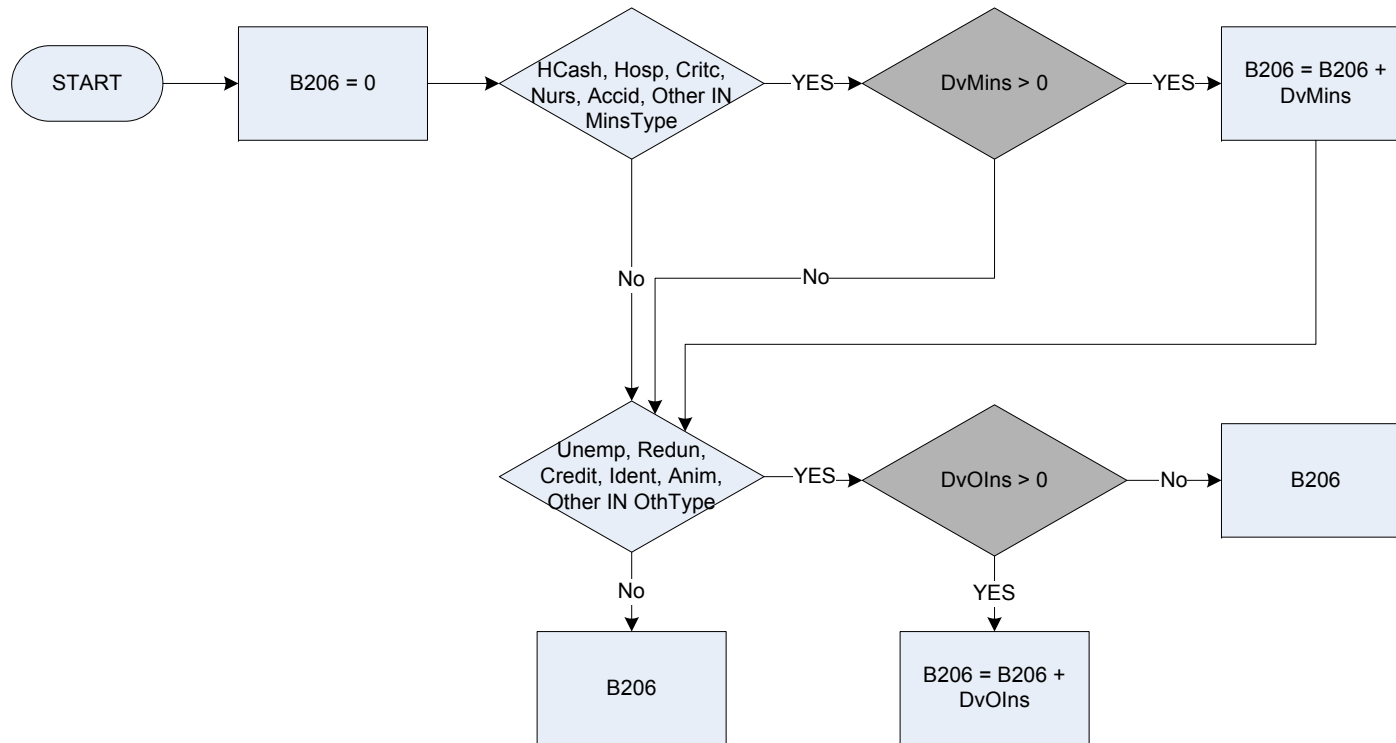


### KEY

**DvFrie**

Derived from FrieAt to give a weekly amount – (*FrieAt – Pay: How much was deducted for Friendly Societies?*)

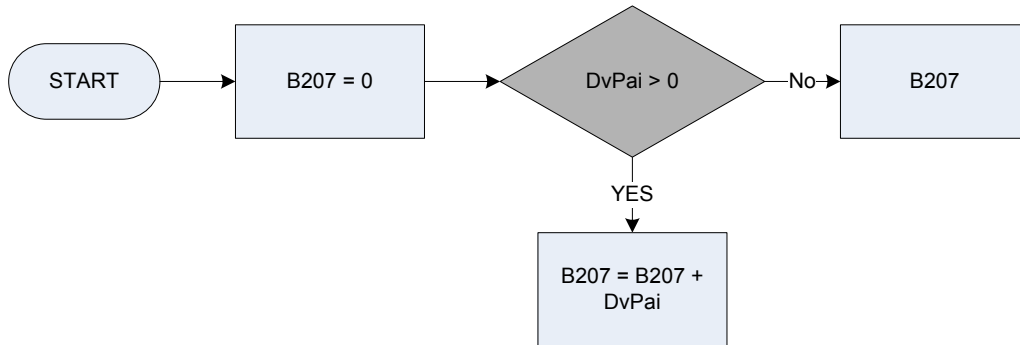
## B206 – Other insurance – total amount premium



### KEY

DvMins	Derived from MinsAmt to give a weekly amount – (MinsAmt – Other Insurance: How much was the last payment?)
MinsType	What type of policy insurance is this?
Hcash	Health cash plan
Critic	Critical illness cover
Nurs	Nursing home/long-term care
Accid	Personal accident
Other	Other (please specify)
OthType	What type of insurance policy is this?
Unemp	Unemployment insurance
Redun	Redundancy insurance
Credit	Credit card protection insurance
Ident	Identity fraud
Anim	Animal/pet insurance
Other	Other (please specify)

## B207 – Education grant – total amount received in cash

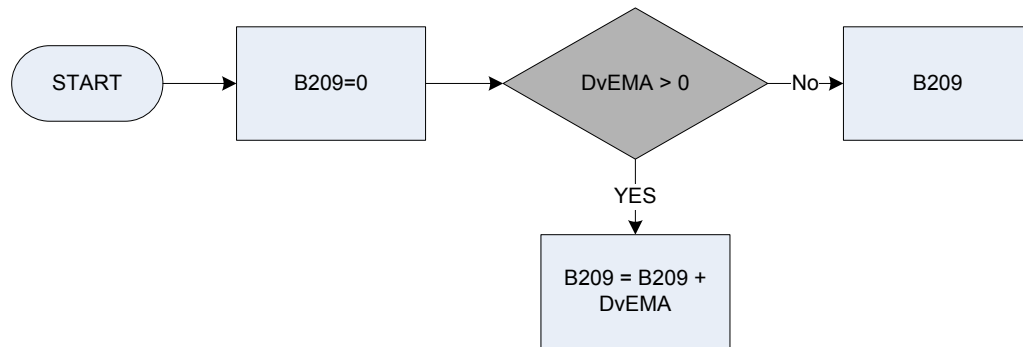


### KEY

Dvpai

Derived from PaidDir to give a weekly amount – (*PaidDir – Education: How much of the grant is paid direct to 'Names'?*)

## B209 – Educational maintenance allowance – total amount received



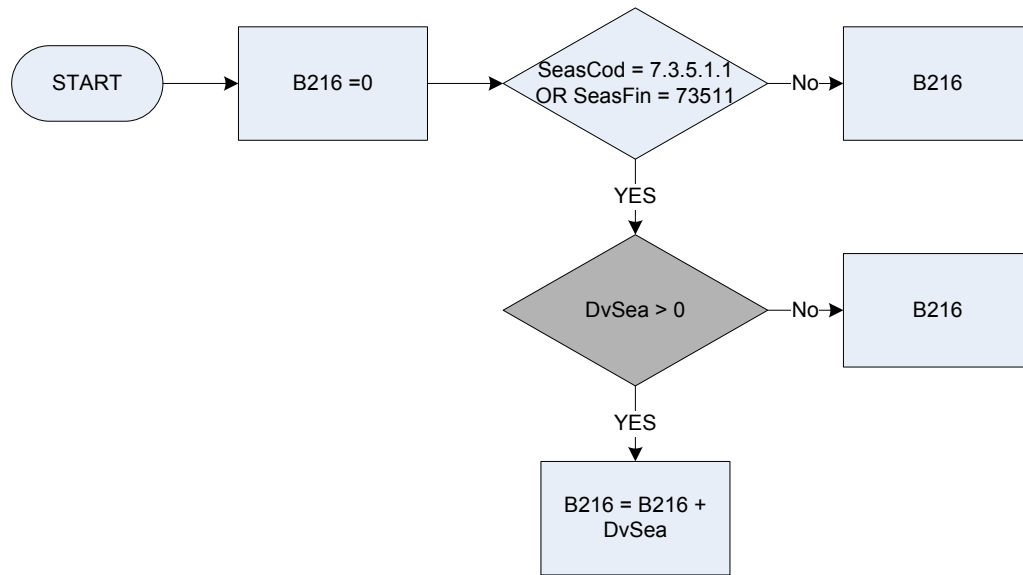
### KEY

**DvEMA**

Derived from EMA to give a weekly amount – (EMA - Educational Maintenance Allowance: How much was received last time?)



## B216 – Bus + tube and/or rail season

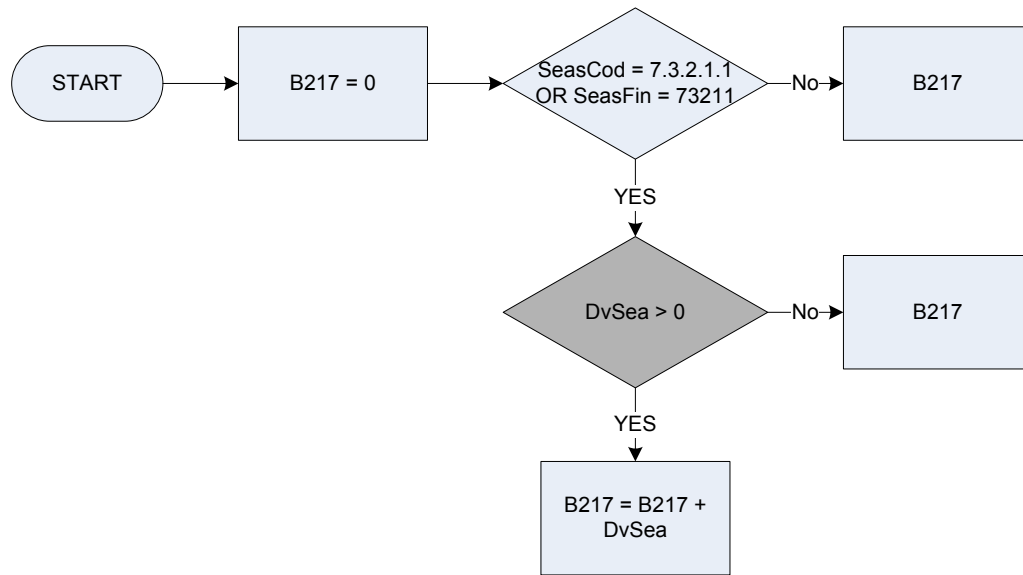


### KEY

**DvSea**  
**SeasCod**  
**SeasFin**

Derived from SeasVal to give a weekly amount – (*SeasVal – Season Tickets: How much did the respondent pay for their season ticket?*)  
Expenditure Code: Season tickets  
Expenditure Code: Season tickets  
**73511** Combined fare season tickets

## B217 – Season ticket – bus/coach – total net amount

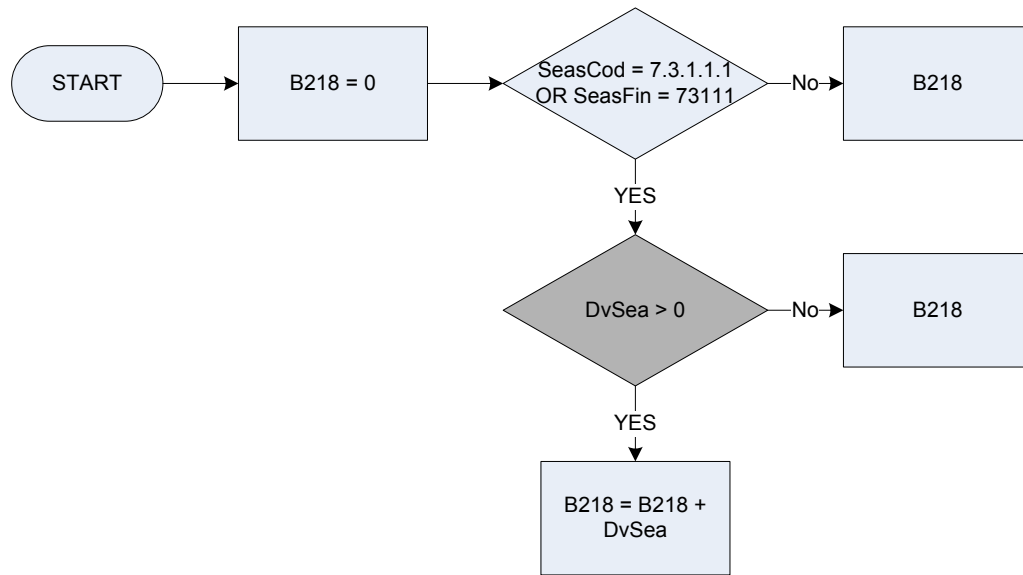


### KEY

**DvSea**  
**SeasCod**  
**SeasFin**

Derived from SeasVal to give a weekly amount – (SeasVal – Season Tickets: How much did the respondent pay for their season ticket?)  
Expenditure Code: Season tickets  
Expenditure Code: Season tickets  
**73211** Bus and coach season tickets

## B218 – Season ticket – rail/tube – total net amount

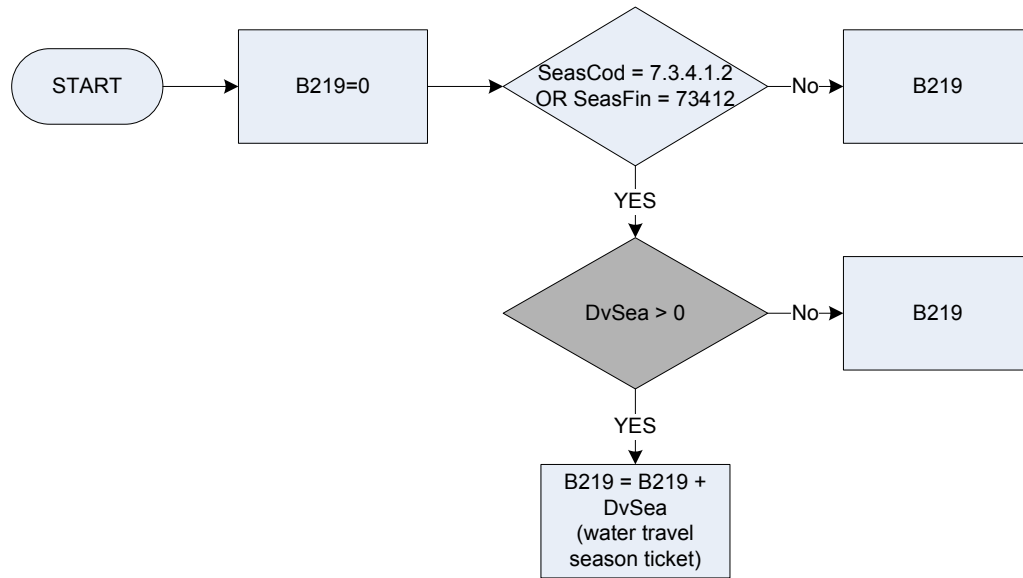


### KEY

**DvSea**  
**SeasCod**  
**SeasFin**

Derived from SeasVal to give a weekly amount – (*SeasVal – Season Tickets: How much did the respondent pay for their season ticket?*)  
Expenditure Code: Season tickets  
Expenditure Code: Season tickets  
**73111**      *Railway and tube season tickets*

## B219 - Water travel season ticket

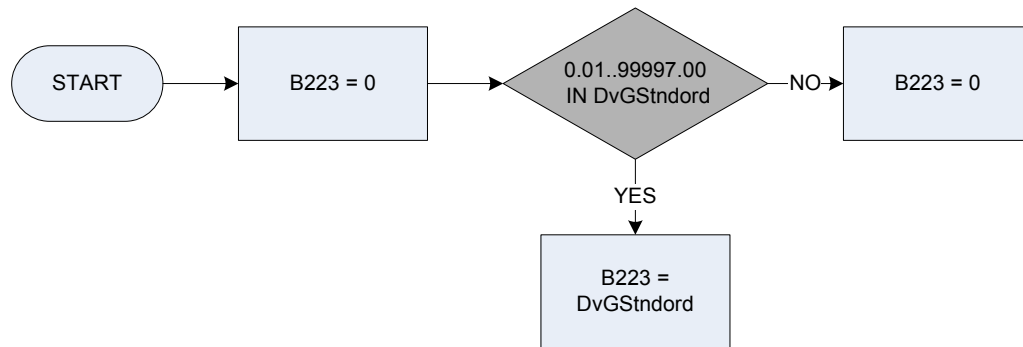


### KEY

**DvSea**  
**SeasCod**  
**SeasFin**

Derived from SeasVal to give a weekly amount – (SeasVal – Season Tickets: How much did the respondent pay for their season ticket?)  
Expenditure Code: Season tickets  
Expenditure Code: Season tickets  
**73412** Water travel season tickets

## B223 – Gas – amount of payment (standing order)

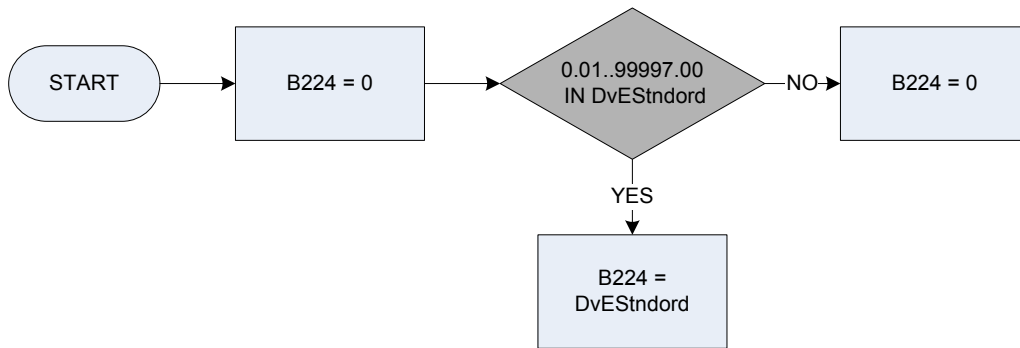


### KEY

**DvGStndord**

Derived from GStndordAmt to give a weekly amount – (*GStndordAmt - Gas: How much was the respondent's last standing order payment?*)

## B224 – Electricity – amount of payment (standing order)

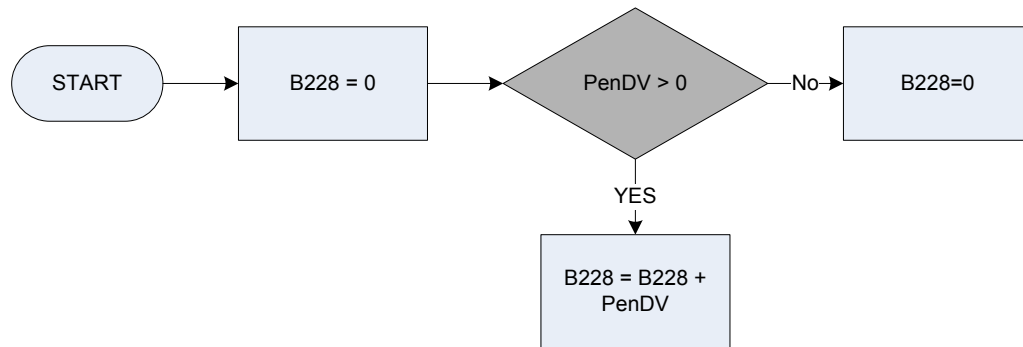


### KEY

**DvEStndord**

Derived from EStndordAmt to give a weekly amount – (*EStndordAmt - Electricity: How much was the respondent's last standing order payment?*)

## B228 – Personal pensions

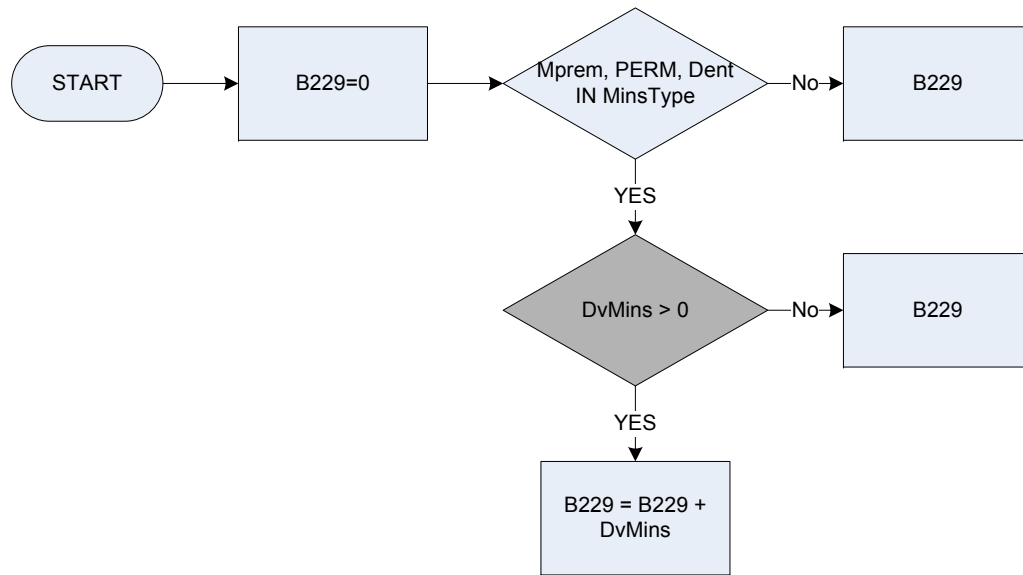


### KEY

**PenDv**

Derived from PensAmt to give a weekly amount – (*PensAmt – Private Pension: How much was the respondent's last pension contribution?*)

## B229 – Medical insurance – total amount premium



### KEY

**DvMins**  
**MinsType**

Derived from MinsAmt to give a weekly amount – (MinsAmt – Other Insurance: How much was the last payment?)

What type of policy insurance is this?

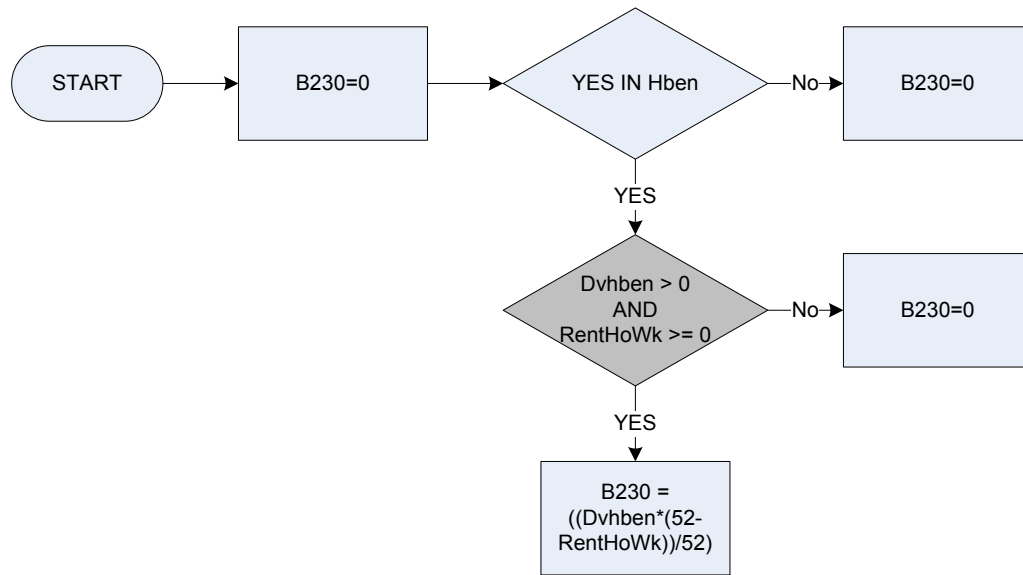
**Dent** Dental insurance

**MPrem** Private medical insurance schemes (eg BUPA, HCS, PPA, PPP, WPA)

**Perm** Permanent health insurance (PHI)



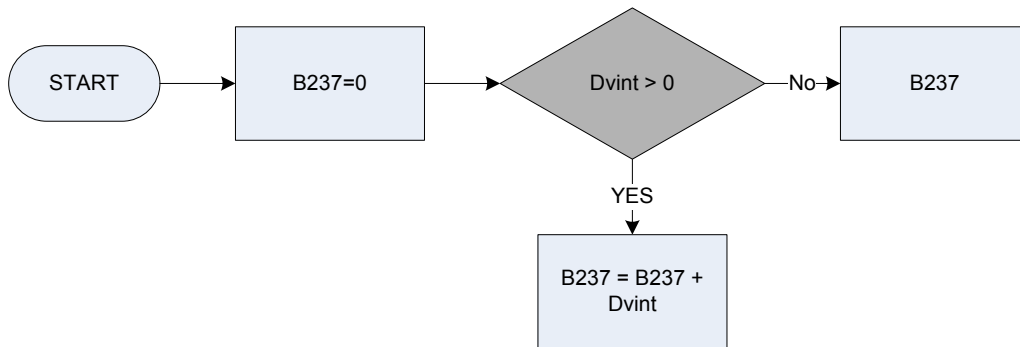
## B230 – Rent rebate – amount recieved inc non-sep rate rebate



### KEY

<b>Dvhben</b>	Derived from Hben to give a weekly amount – ( <i>Hben – Benefits: For how many weeks a year does the respondent have a rent holiday?</i> )
<b>Hben</b>	Does the respondent or anyone else in the household receive Housing Benefit either directly or by having it paid to their landlord on their behalf?
<b>1</b>	Yes
<b>2</b>	No
<b>RentHoWk</b>	For how many weeks a year do you have a rent holiday?

## B237 – Credit card interest payments

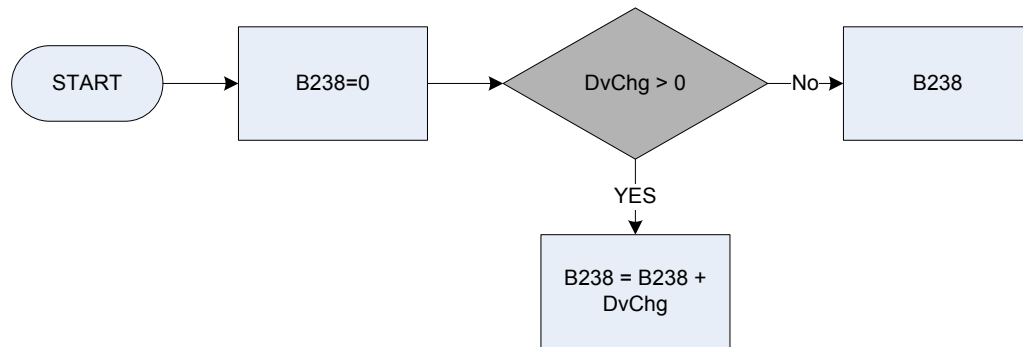


### KEY

**Dvint**

Derived from IntAmt to give a weekly amount – (*IntAmt – Credit Cards: How much interest was shown?*)

## B238 – Annual standing charge for credit cards weekly amount

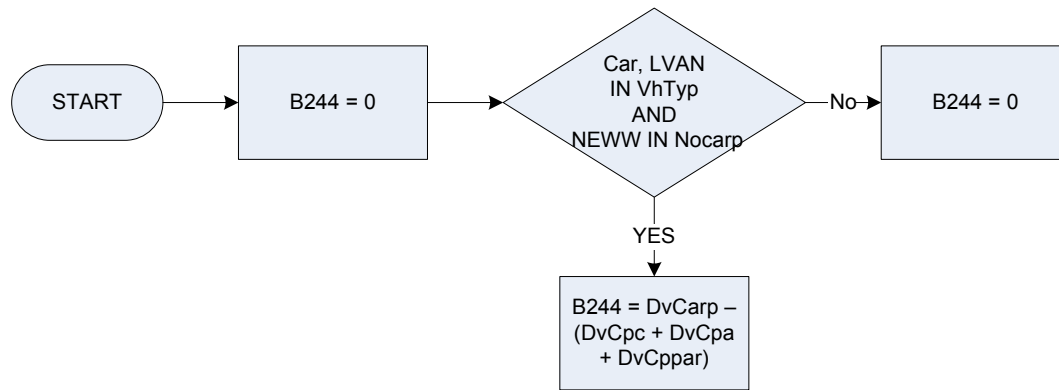


### KEY

**DvChg**

Derived from ChgAmt to give a weekly amount – (ChgAmt – Credit Cards: How much has the respondent paid in total in the last 12 months?)

## B244 – Vehicle – cost of new car | van outright



### KEY

<b>DvCarp</b>	Derived from Carpamt to give a weekly amount – ( <i>Carpamt – Vehicles: How much was the cash price of this vehicle, BEFORE taking off any part exchange or trade-in?</i> )
<b>DvCpc</b>	Derived from Cpparamt to give a weekly amount – ( <i>Cpparamt – Vehicles: How much was allowed for road tax?</i> )
<b>DVCpa</b>	Derived from Cpinsamt to give a weekly amount – ( <i>Cpinsamt – Vehicles: How much was included for vehicle insurance?</i> )
<b>DvCppar</b>	Derived from Cpparamt to give a weekly amount – ( <i>Cpparamt – Vehicles: How much was allowed for part exchange/trade-in?</i> )

### Nocarp

Was the vehicle new or second-hand?

**NEWW** New

**SEC** Second hand

### VhTyp

Is the vehicle:

**Car** a car

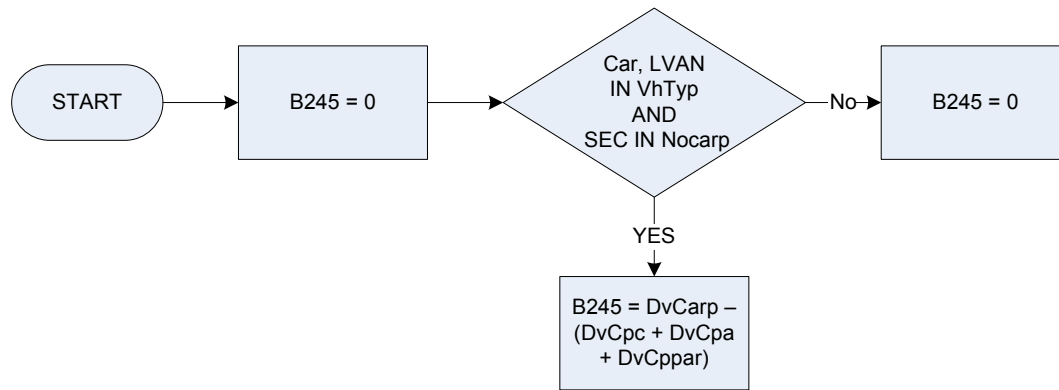
**Ivan** a light van

**mcycle** a motor cycle

**mcvan** a motor caravan

**other** or some other motor vehicle <sup>556</sup>

## B245 – Vehicle – cost of second hand car | van outright



### KEY

<b>DvCarp</b>	Derived from Carpamt to give a weekly amount – ( <i>Carpamt – Vehicles: How much was the cash price of this vehicle, BEFORE taking off any part exchange or trade-in?</i> )
<b>DvCpc</b>	Derived from Cpparamt to give a weekly amount – ( <i>Cpparamt – Vehicles: How much was allowed for road tax?</i> )
<b>DVCpa</b>	Derived from Cpinsamt to give a weekly amount – ( <i>Cpinsamt – Vehicles: How much was included for vehicle insurance?</i> )
<b>DvCppar</b>	Derived from Cpparamt to give a weekly amount – ( <i>Cpparamt – Vehicles: How much was allowed for part exchange/trade-in?</i> )

### Nocarp

Was the vehicle new or second-hand?

**NEWW** New

**SEC** Second hand

### VhTyp

Is the vehicle:

**Car** a car

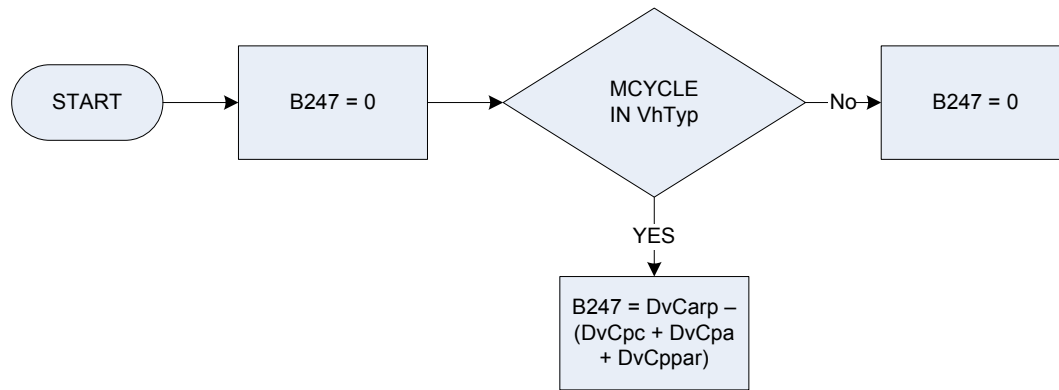
**Ivan** a light van

**mcycle** a motor cycle

**mcvan** a motor caravan

**other** or some other motor vehicle <sup>557</sup>

## B247 – Vehicle – cost of motorcycles outright



### KEY

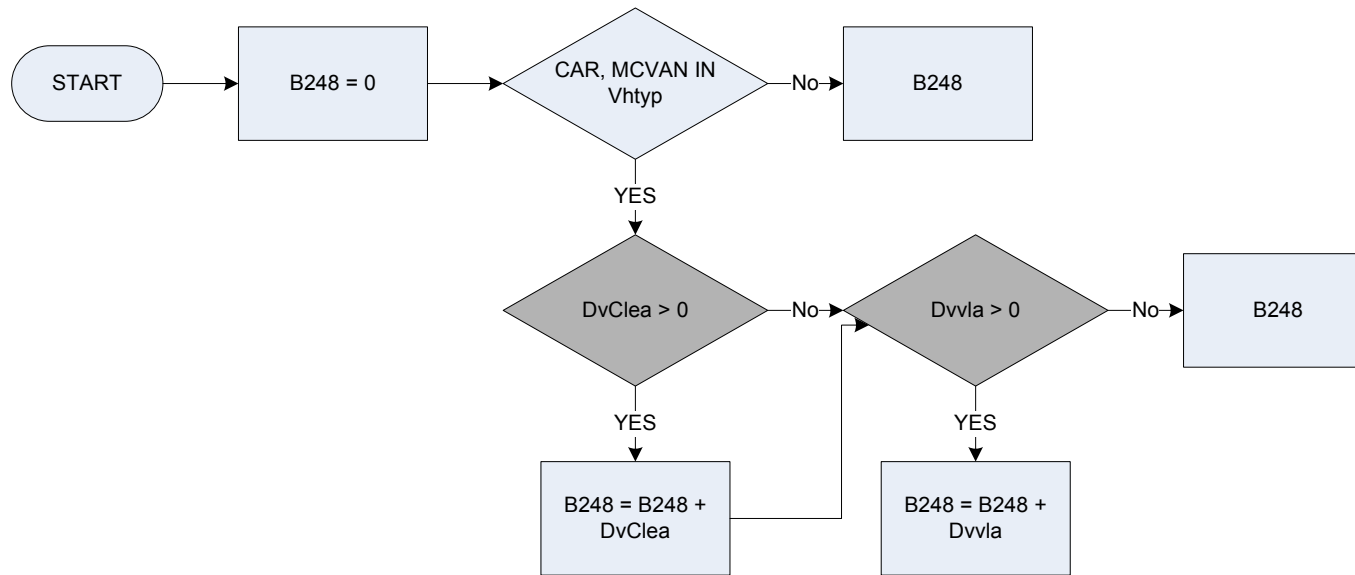
<b>DvCarp</b>	Derived from Carpamt to give a weekly amount – ( <i>Carpamt – Vehicles: How much was the cash price of this vehicle, BEFORE taking off any part exchange or trade-in?</i> )
<b>DvCpc</b>	Derived from Cpparamt to give a weekly amount – ( <i>Cpparamt – Vehicles: How much was allowed for road tax?</i> )
<b>DVCpa</b>	Derived from Cpinsamt to give a weekly amount – ( <i>Cpinsamt – Vehicles: How much was included for vehicle insurance?</i> )
<b>DvCppar</b>	Derived from Cpparamt to give a weekly amount – ( <i>Cpparamt – Vehicles: How much was allowed for part exchange/trade-in?</i> )

### VhTyp

Is the vehicle:

<b>Car</b>	a car
<b>Ivan</b>	a light van
<b>mcycle</b>	a motor cycle
<b>mcvan</b>	a motor caravan
<b>other</b>	or some other motor vehicle

## B248 – Car leasing – expenditure



### KEY

**DvClea**  
**Dvvla**  
**VhTyp**

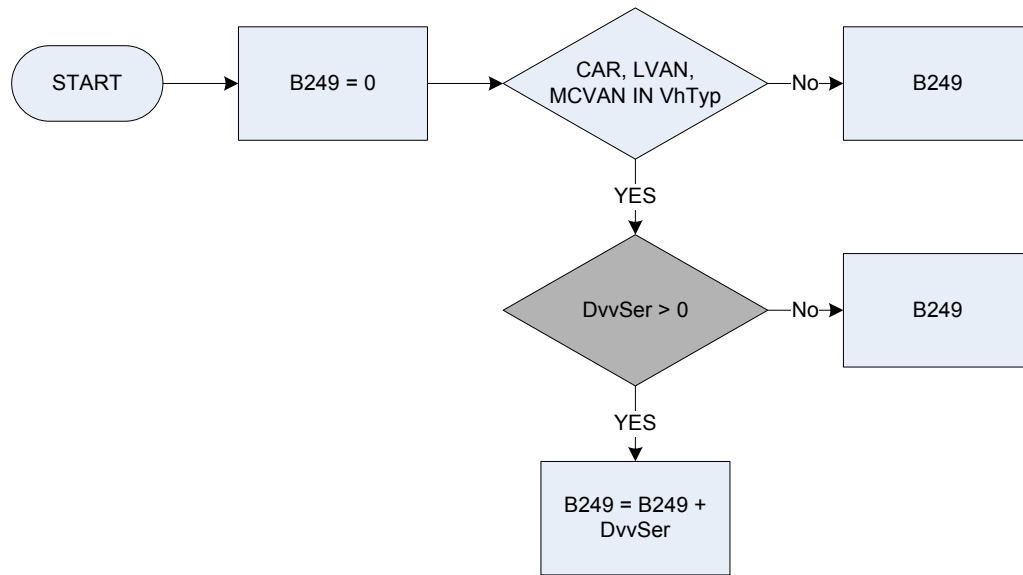
Derived from CLeaAmt to give a weekly amount – (CleaAmt – Vehicles: How much was your last leasing/hire payment?)

Derived from Lamt to give a weekly amount – (Lamt – Vehicles: How much was your last leasing payment?)

Is the respondent's vehicle:

<b>car</b>	a car
<b>lvan</b>	a light van
<b>mcycle</b>	a motor cycle
<b>mcvan</b>	a motor caravan
<b>other</b>	or some other motor vehicle

## B249 – Car or van – servicing: amount paid



### KEY

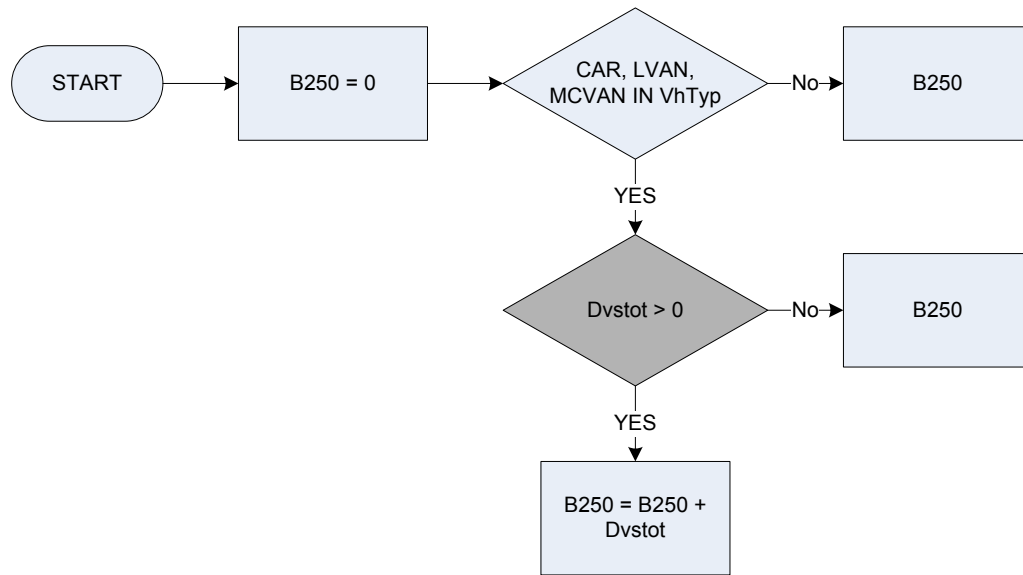
**DvvSer**  
**VhTyp**

Derived from ServPy to give a weekly amount – (*ServPy – Vehicles: How much did the service cost, including any spare parts?*)  
Is the respondent's vehicle:

**car** a car  
**lvan** a light van  
**mcycle** a motor cycle  
**mcvan** a motor caravan  
**other** or some other motor vehicle?



## B250 – Car or van – other works, repairs: amount paid



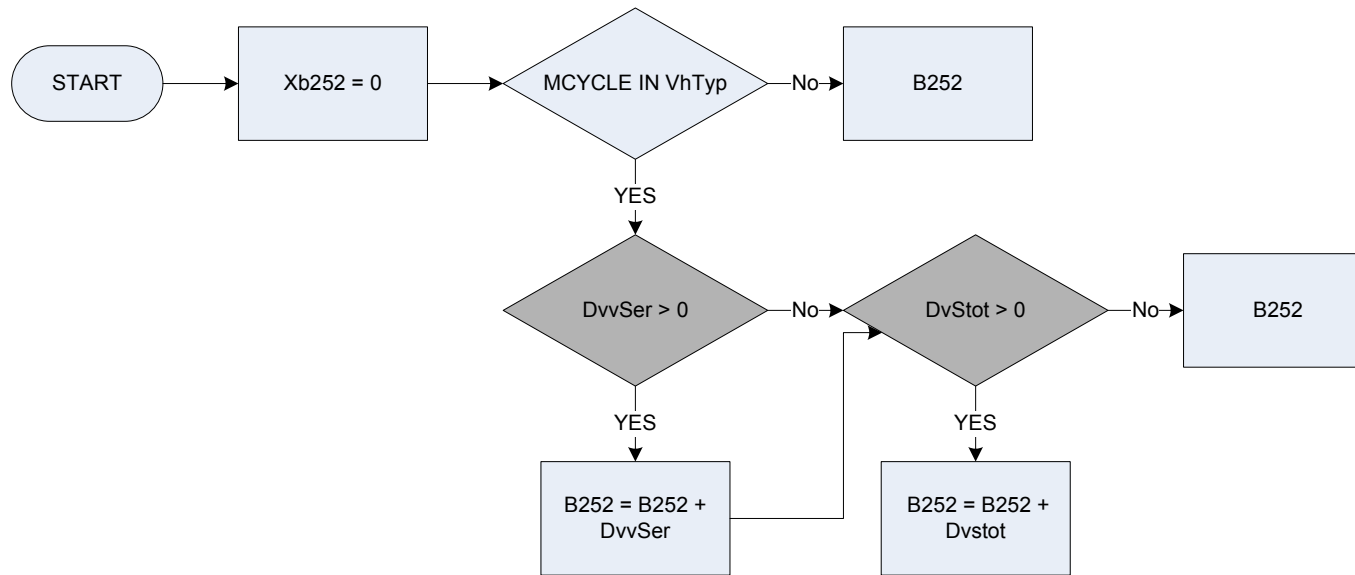
### KEY

**Dvstot**  
**VhTyp**

Derived from WKTot to give a weekly amount – (*WKTot – Vehicles: How much has the respondent paid for this other work in the last 3 months?*)  
Is the respondent's vehicle:

**car** a car  
**lvan** a light van  
**mcycle** a motor cycle  
**mcvan** a motor caravan  
**other** or some other motor vehicle?

## B252 – Motor cycle – services, repairs: amount paid



### KEY

**Dvstot**  
**DvvSer**  
**VhTyp**

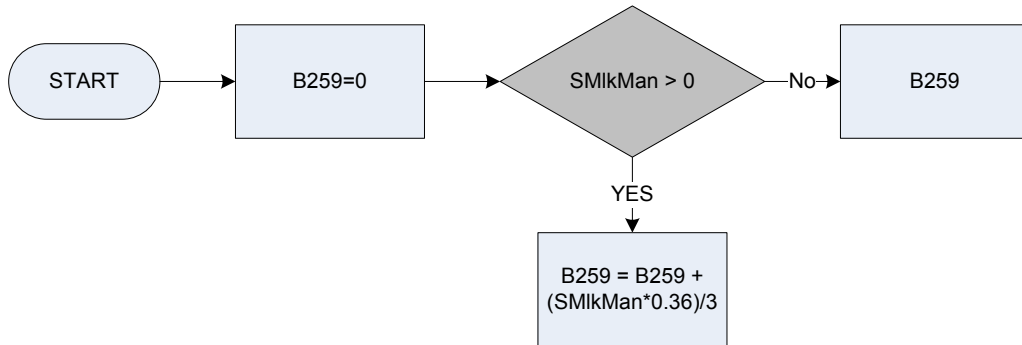
Derived from WkTot to give a weekly amount – (*Dvstot – Vehicle: How much have you paid for this other work in the last 3 months?*)

Derived from Servpy to give a weekly amount – (*Servpy – Vehicle: How much did the service cost, including any spare parts?*)

Is the vehicle:

**car** a car  
**lvan** a light van  
**mcycle** a motor cycle  
**mcvan** a motor caravan  
**other** or some other motor vehicle?

**B259 – School milk – imputed value last week**

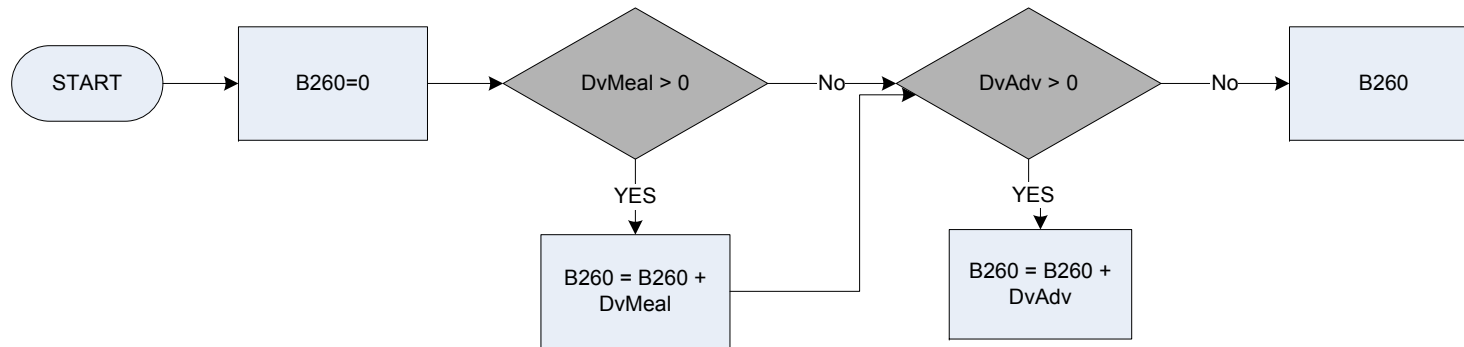


**KEY**

**SMIkMan**

How many cartons or bottles were received in the 7 days ending yesterday?

## B260 – School meals – total amount



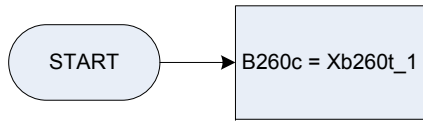
### KEY

**DvAdv**  
**DvMeal**

Derived from AdvAmt to give a weekly amount – (Advamt – Last amount paid to school for meals)

Derived from MealAmt to give a weekly amount – (MealAmt – School Meals: How much did the respondent pay for meals during the 7 days ending yesterday?)

**B260c – School meals – total amount paid last week**

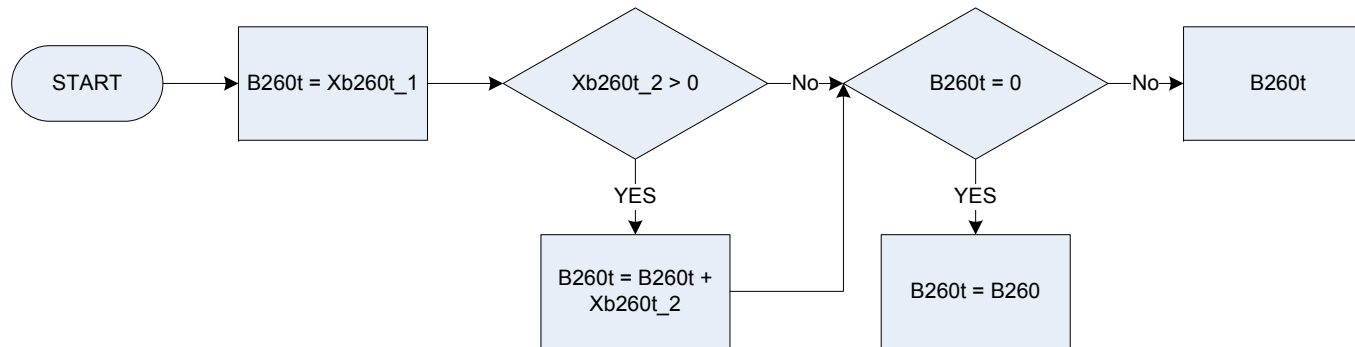


**KEY**

**Xb260t\_1**

School meals - total amount paid last week

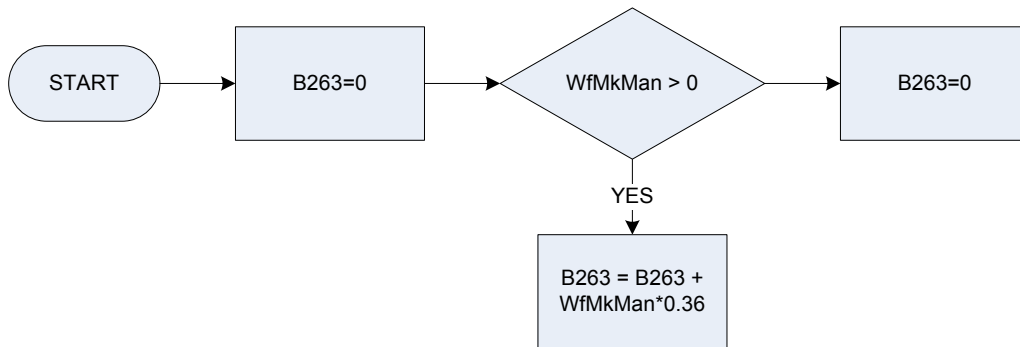
## B260t – School meals – total amount paid last week



### KEY

**B260t** School meals – total amount  
**Xb260t\_1** Temporary variable used in calculations - Expenditure Code CB1212c: School dinner  
**Xb260t\_2** Temporary variable used in calculations – Expenditure Code

## B263 – Welfare milk – imputed value last week

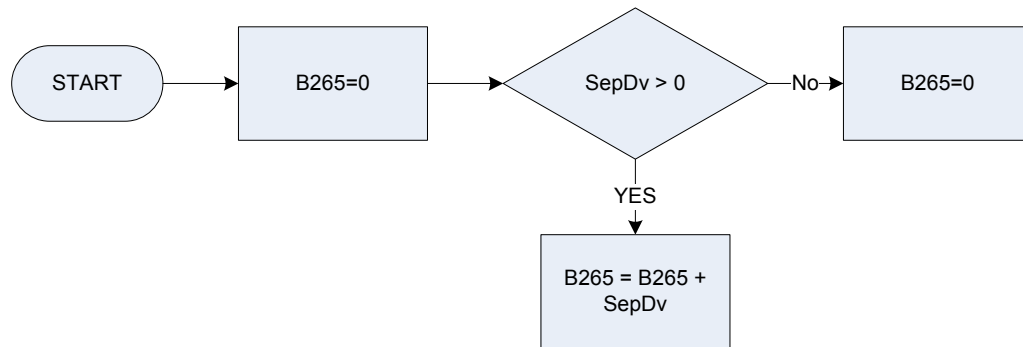


### KEY

**WfMkMan**

How many pints received during the 7 days ending yesterday?

## B265 – Maintenance allowance expenditure



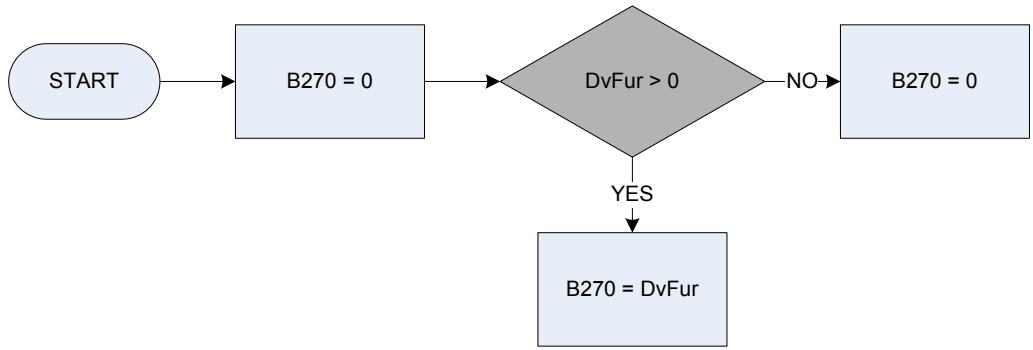
### KEY

SepDv

Derived from AllwAmt to give a weekly amount – *(AllwAmt – Separation/Maintenance Allowance: How much was the last payment?)*



**B270 – Furniture**

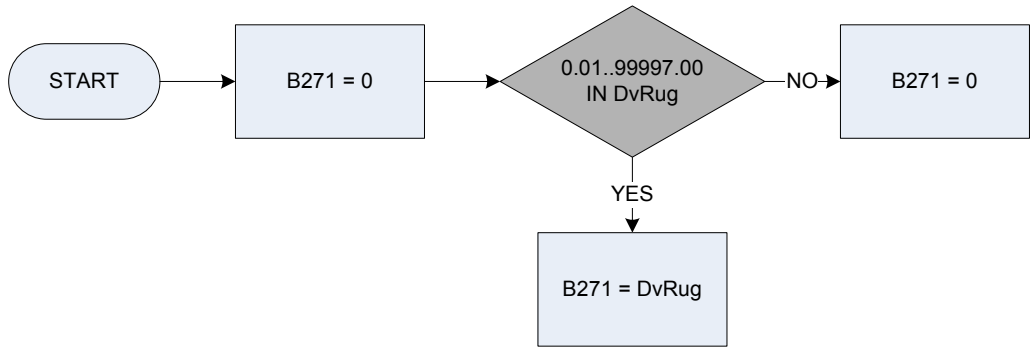


**KEY**

**DvFur**

Derived from FurnAmt to give a weekly amount – (FurnAmt – Furniture: In the last 3 months, what is the total paid for the items, excluding any interest paid on loans?)

## B271 – Soft floor coverings

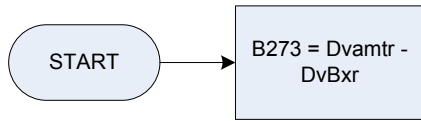


### KEY

**DvRug**

Derived from RugAmt to give a weekly amount – (RugAmt – Carpets: In the last 3 months, what is the total the respondent paid for the item(s) excluding any interest paid on loans?) 570

## B273 – Moving house

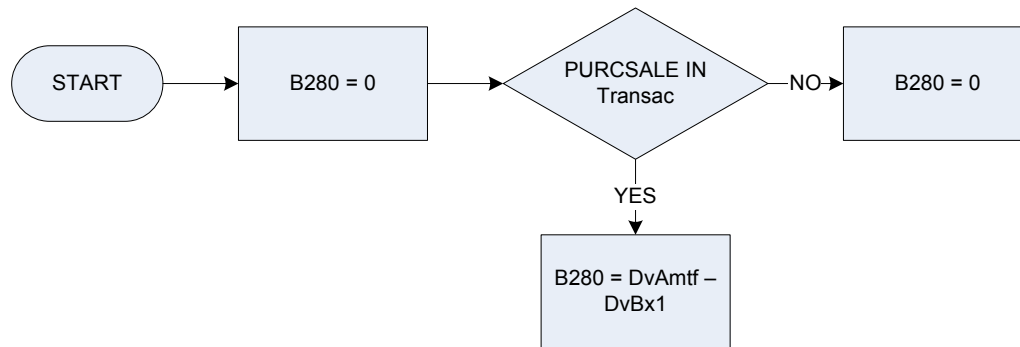


### KEY

**Dvamtr**  
**DvBxr**

Derived from He3Amt to give a weekly amount – (*He3Amt – Moving House: In the last 12 months, how much in total did the respondent pay, excluding any interest paid on loans?*)  
Derived from He3Bam to give a weekly amount – (*He3Bam – Moving House: How much was/will be reclaimed?*)

## B280 – Property transaction – purchase and sale



### KEY

#### DvAmtf

Derived from He2Amt to give a weekly amount – (*He2Amt – Moving House: In the last 12 months, how much in total did the respondent pay, excluding stamp duty, land registry fees, local authority search fees and any interest paid on loans?*)

#### DvBx1

Derived from He2Bam to give a weekly amount – (*He2Bam – Moving House: How much was/will be reclaimed?*)

#### Transac

For which of the property transactions on this card did the respondent pay?

#### **PurcSale**

*Successfully completed purchase and sale*

#### **SaleOnly**

*Successfully completed sale only*

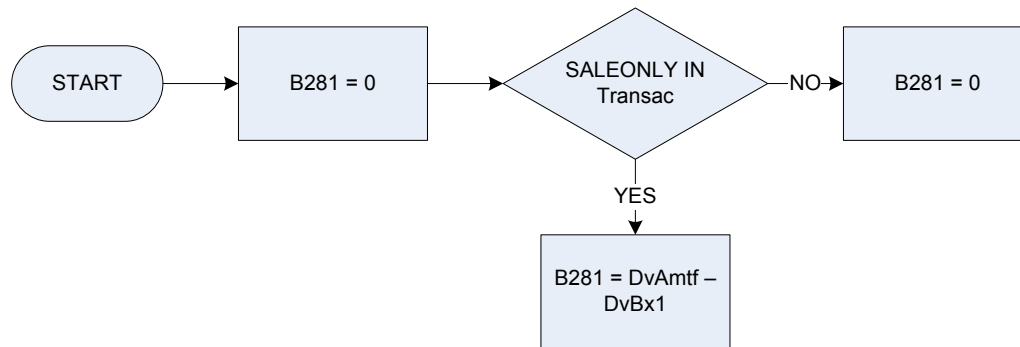
#### **PurcOnly**

*Successfully completed purchase only*

#### **Other**

*Any other purpose such as re-mortgage, second mortgage, or an unsuccessful attempt to purchase or sell*

## B281 – Property transaction – sale only



### KEY

#### DvAmtf

Derived from He2Amt to give a weekly amount – (He2Amt – Moving House: In the last 12 months, how much in total did the respondent pay, excluding stamp duty, land registry fees, local authority search fees and any interest paid on loans?)

#### DvBx1

Derived from He2Bam to give a weekly amount – (He2Bam: How much was/will be reclaimed?)

#### Transac

For which of the property transactions on this card did the respondent pay?

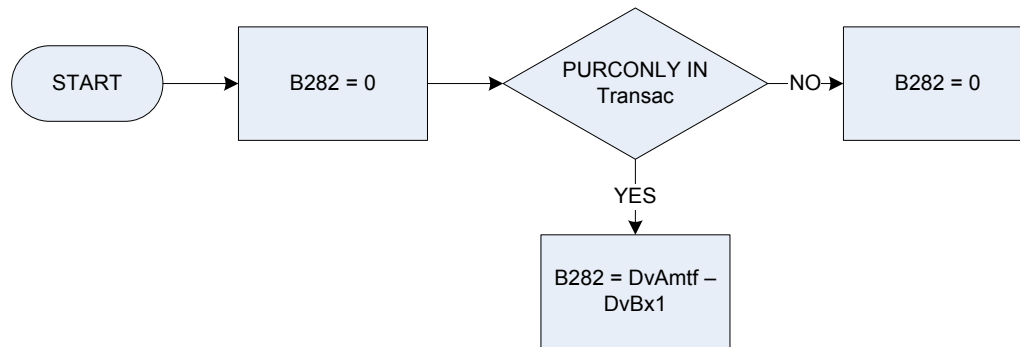
**PurcSale** Successfully completed purchase and sale

**SaleOnly** Successfully completed sale only

**PurcOnly** Successfully completed purchase only

**Other** Any other purpose such as re-mortgage, second mortgage, or an unsuccessful attempt to purchase or sell

## B282 – Property transaction – purchase only



### KEY

#### DvAmtf

Derived from He2Amt to give a weekly amount – *(He2Amt – Moving House: In the last 12 months, how much in total did the respondent pay, excluding stamp duty, land registry fees, local authority search fees and any interest paid on loans?)*

#### DvBx1

Derived from He2Bam to give a weekly amount – *(He2Bam: How much was/will be reclaimed?)*

#### Transac

For which of the property transactions on this card did the respondent pay?

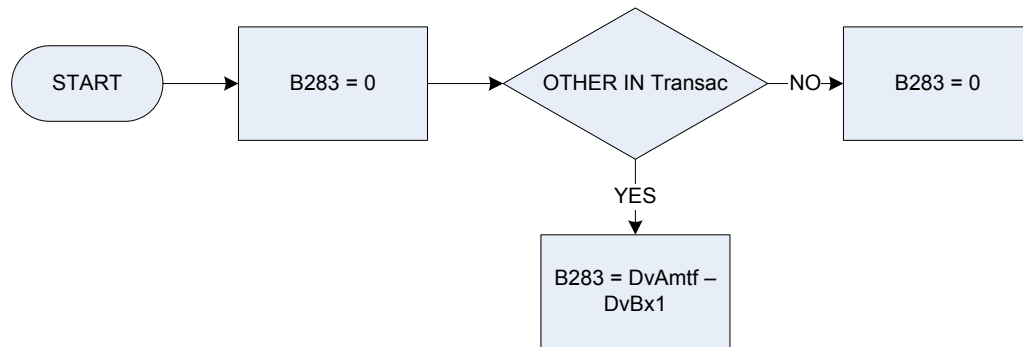
**PurcSale** Successfully completed purchase and sale

**SaleOnly** Successfully completed sale only

**PurcOnly** Successfully completed purchase only

**Other** Any other purpose such as re-mortgage, second mortgage, or an unsuccessful attempt to purchase or sell

## B283 – Property transaction – other payments



### KEY

#### DvAmtf

Derived from He2Amt to give a weekly amount – *(He2Amt – Moving House: In the last 12 months, how much in total did the respondent pay, excluding stamp duty, land registry fees, local authority search fees and any interest paid on loans?)*

#### DvBx1

Derived from He2Bam to give a weekly amount – *(He2Bam: How much was/will be reclaimed?)*

#### Transac

For which of the property transactions on this card did the respondent pay?

#### PurcSale

Successfully completed purchase and sale

#### SaleOnly

Successfully completed sale only

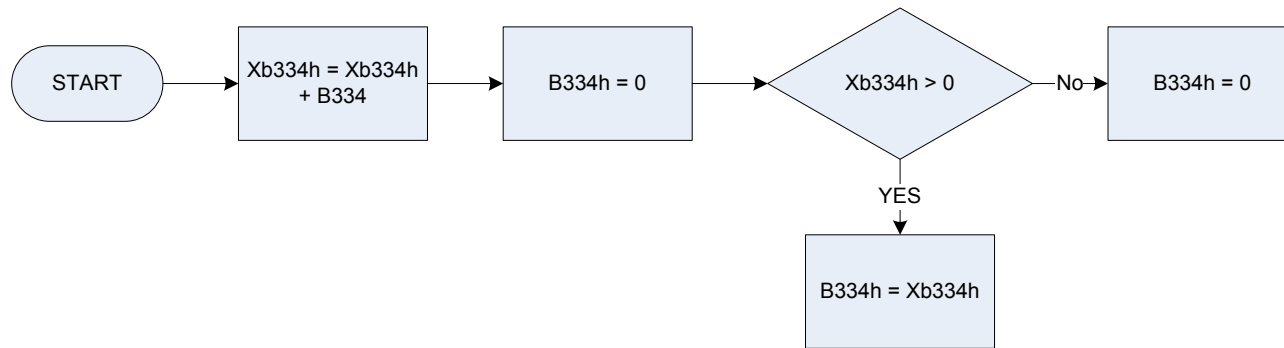
#### PurcOnly

Successfully completed purchase only

#### Other

Any other purpose such as re-mortgage, second mortgage, or an unsuccessful attempt to purchase or sell

## B334h - Money sent abroad - household



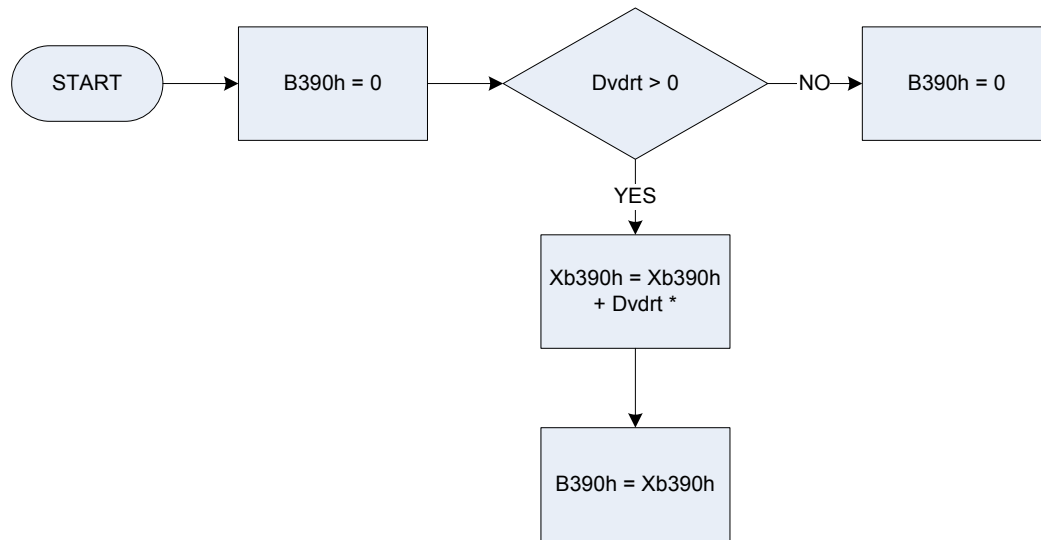
### KEY

**B334**  
**Xb334h**

Money sent abroad - amount (person level)  
Temporary variable used in calculations – The sum of all money sent abroad by household members (B334)



## B390h - Income tax refund received - household

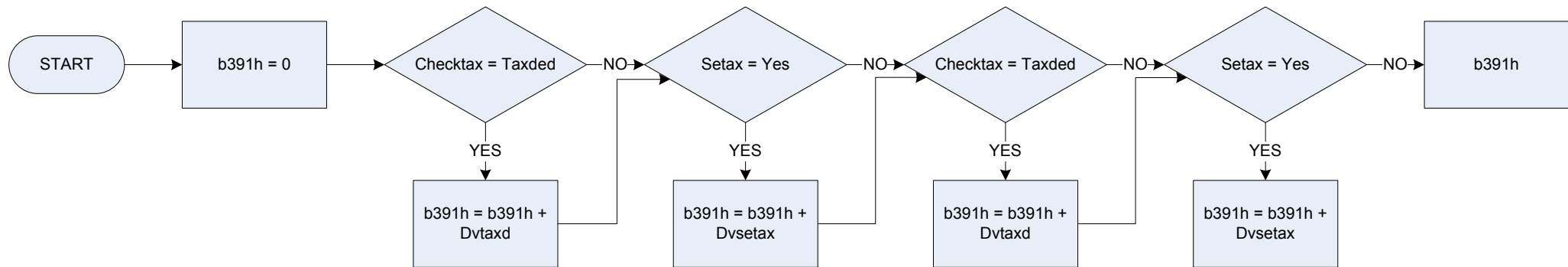


### KEY

\* If more than one respondent in the household received an Income tax refund then this will also be included in the total for Xb390h.

**Dvdrtd** Derived from DIRTXRAM to give a weekly average (DIRTXRAM- How much was refunded?)  
**Xb390h** Temporary variable used in calculations -The sum of all income tax refunds received by household members (Dvdrtd)

**b391h – Self-employed – tax paid last 12 months - household**



**KEY**

**Checktax**

Check - was either income tax, or the respondent's regular National Insurance contribution deducted at source?

- 1 Income tax deducted
- 2 Regular NI deducted
- 3 No, neither deducted

**Dvsetax**

Derived from SeTaxAmt to give a weekly amount – (SeTaxAmt – Self Employment: How much did the respondent pay altogether in the last 12 months?)

**Dvtaxd**

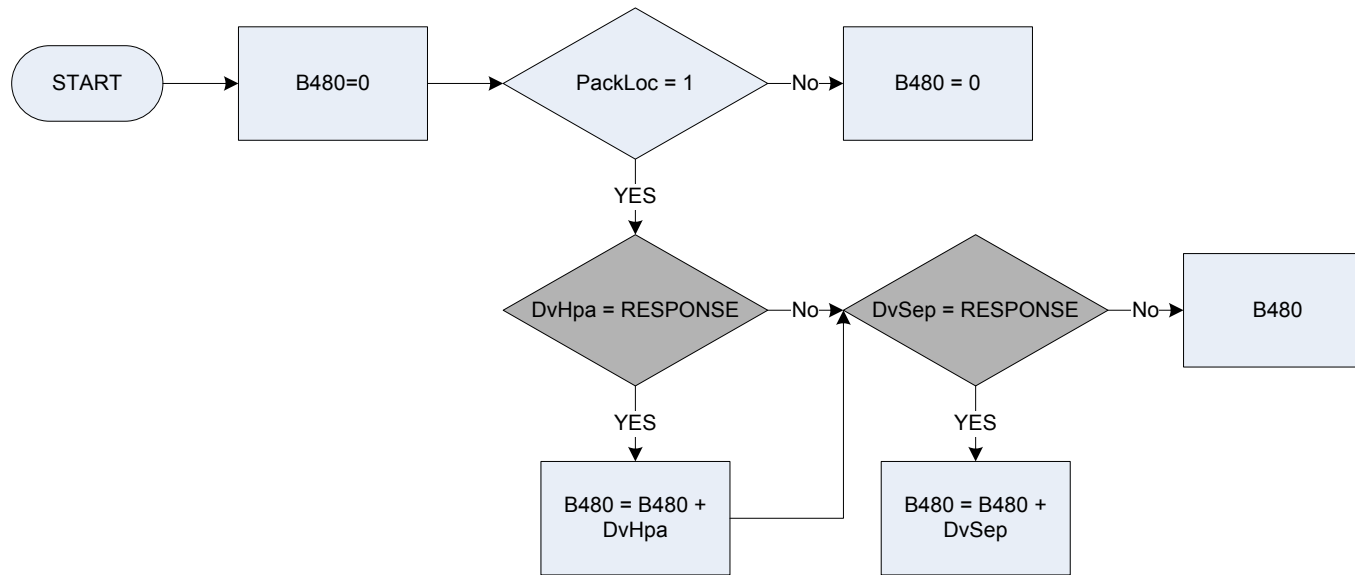
Derived from TaxDAmt to give a weekly amount – (TaxDAmt – Self Employment: How much income tax was deducted last time?)

**Setax**

(Apart from tax deducted at source) Has the respondent made any (other) income tax payments relating to this job/business in the last 12 months?

- 1 Yes
- 2 No

## B480 – Holiday package within United Kingdom



### KEY

**DvHpa**  
**DvSep**

Derived from PackAmt to give a weekly amount – (*PackAmt – Package Holiday: In the last 3 months, how much did the respondent spend on the package only?*)

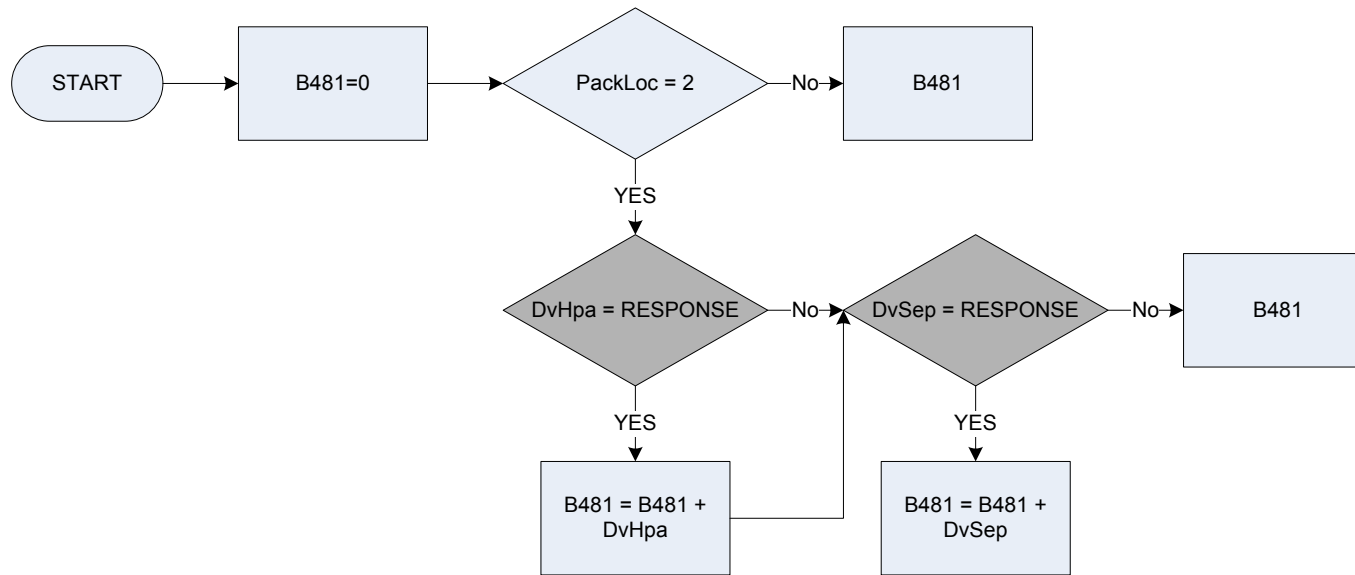
Derived from SepInAm to give a weekly amount – (*SepInAm – Package Holiday: In the last 3 months, how much did the respondent pay for any separate holiday premiums, covering the package holiday only?*)

**PackLoc**

In which country was (will) the holiday be taken?

- 1 UK
- 2 Other

## B481 – Holiday package outside United Kingdom



### KEY

**DvHpa**  
**DvSep**

Derived from PackAmt to give a weekly amount – *(PackAmt – Package Holiday: In the last 3 months, how much did the respondent spend on the package only?)*

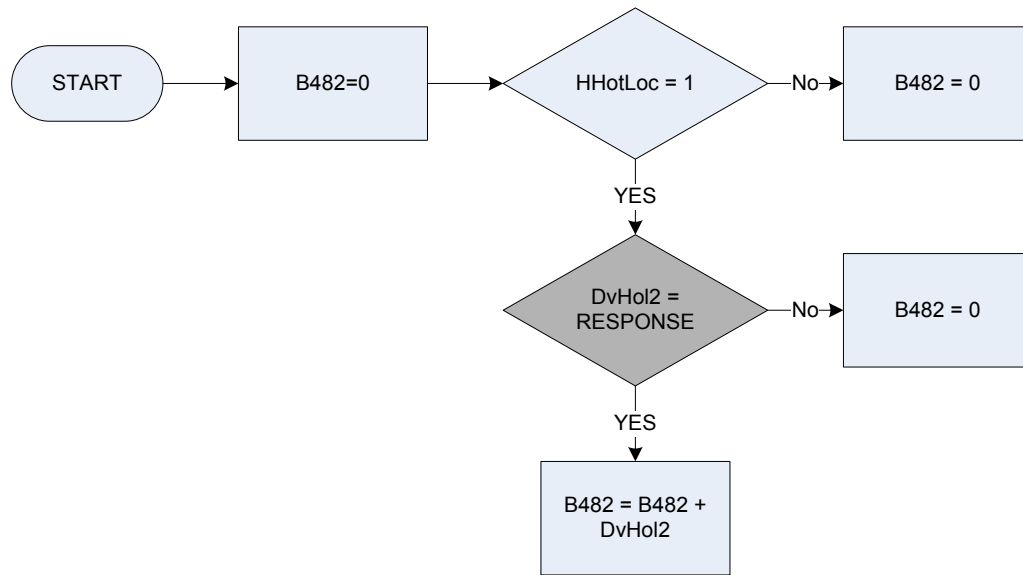
Derived from SepInAm to give a weekly amount – *(SepInAm – Package Holiday: In the last 3 months, how much did the respondent pay for any separate holiday premiums, covering the package holiday only?)*

**PackLoc**

In which country was (will) the holiday be taken?

- 1 UK
- 2 Other

## B482 – Holiday hotel within United Kingdom



### KEY

**HHotLoc**

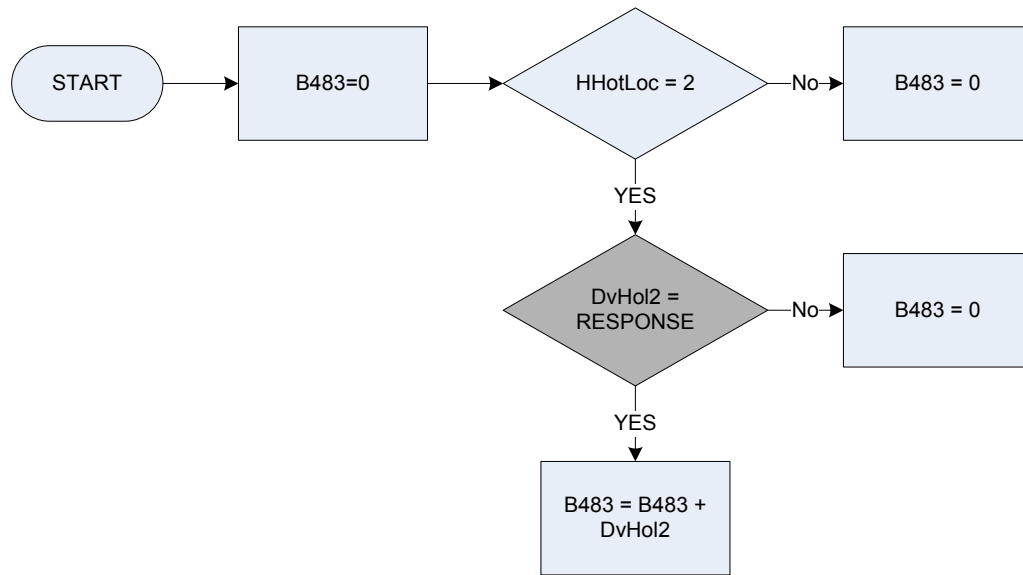
In which country was the holiday/will the holiday be taken?

- 1 UK
- 2 Other

**DvHol2**

Derived from HHotAmt to give a weekly amount – (HHotAmt – Hotel Holiday: In the last 3 months, how much in total did the respondent spend on accommodation only?)

## B483 – Holiday hotel outside United Kingdom



### KEY

**HHoLoc**

In which country was the holiday/will the holiday be taken?

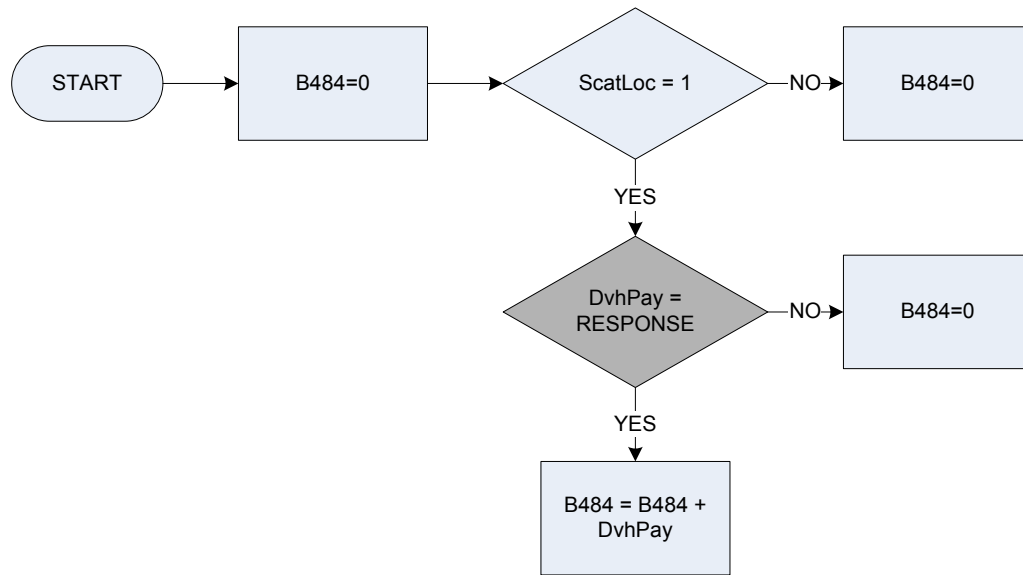
1 UK

2 Other

**DvHo2**

Derived from HHoAmt to give a weekly amount – (HHoAmt – Hotel Holiday: In the last 3 months, how much in total did the respondent spend on accommodation only?)

## B484 – Holiday self-catering within United Kingdom



### KEY

**DvhPay**

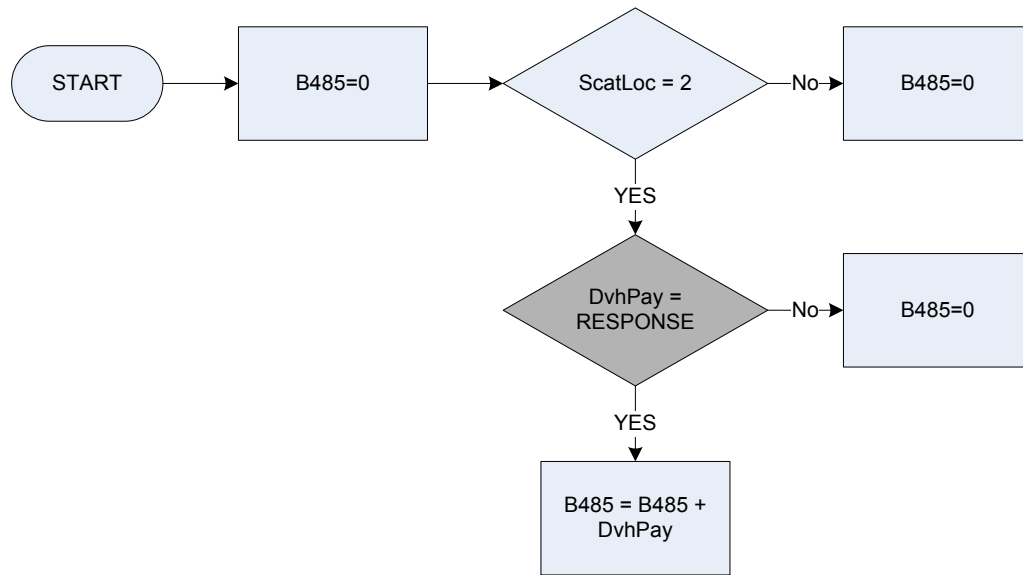
Derived from SCatAmt to give a weekly amount – (SCatAmt – Self Catering Holiday: In the last 3 months, how much did in total the respondent spend on accommodation only, including campsite fees and fees and hostel charges?)

**ScatLoc**

In which country was the holiday/will the holiday be taken?

- 1 UK
- 2 Other

## B485 – Holiday self-catering outside United Kingdom



### KEY

**DvhPay**

Derived from SCatAmt to give a weekly amount – (SCatAmt – Self Catering Holiday: In the last 3 months, how much in total did the respondent spend on ACCOMMODATION ONLY, including campsite fees and fees and hostel charges?)

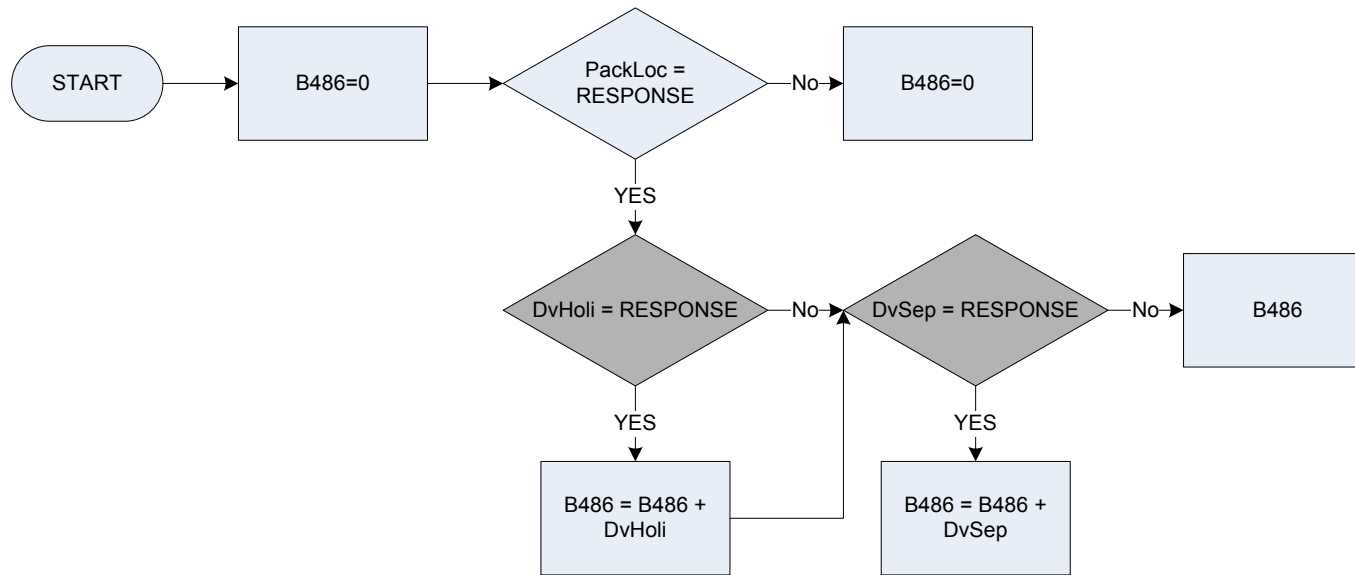
**ScatLoc**

In which country was the holiday/will the holiday be taken?

- 1 UK
- 2 Other



## B486 – Holiday insurance – expenditure

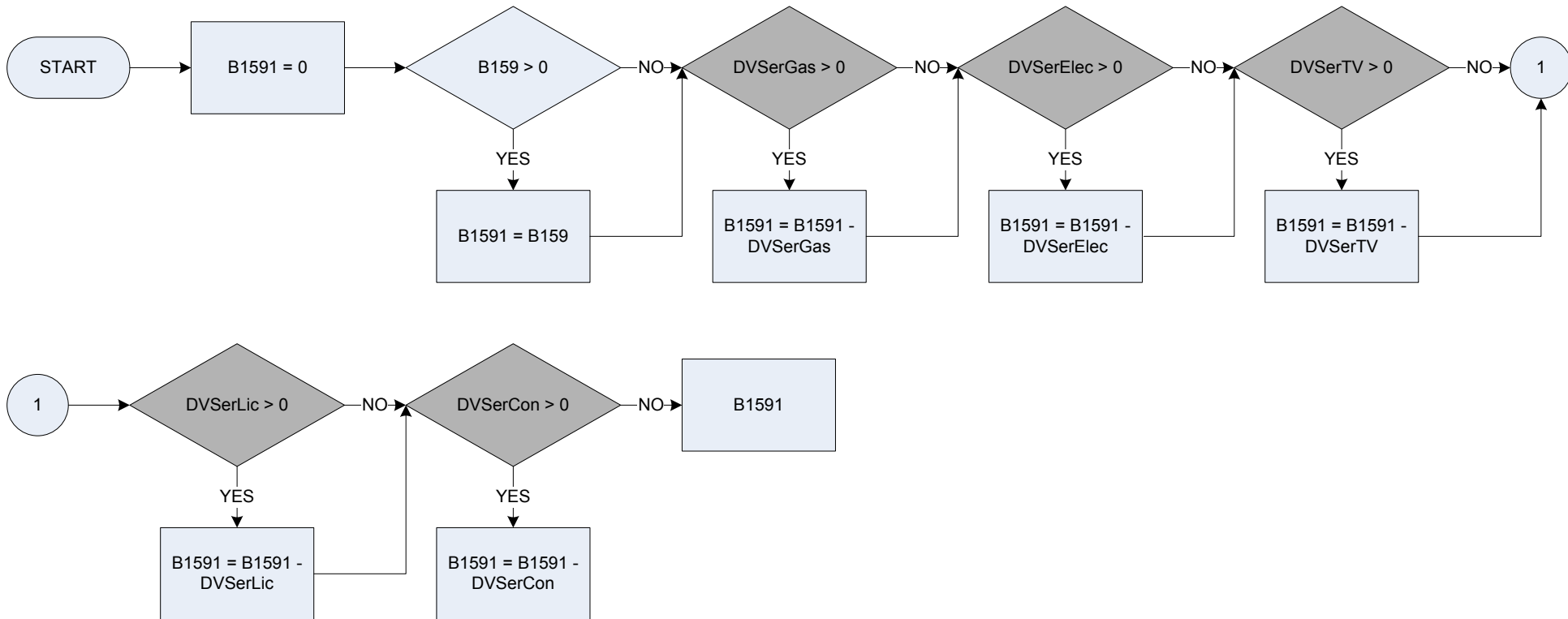


### KEY

**DvHoli**  
**DvSep**  
**PackLoc**

Derived from HoliAmt to give a weekly amount – (HoliAmt – Package Holiday: How much did the respondent pay for their package holiday?)  
Derived from SepInAm to give a weekly amount – (SepInAm – Package Holiday: How much did the respondent pay for their separate holiday insurance in the last 3 months?)  
In which country was (will) the holiday be taken?

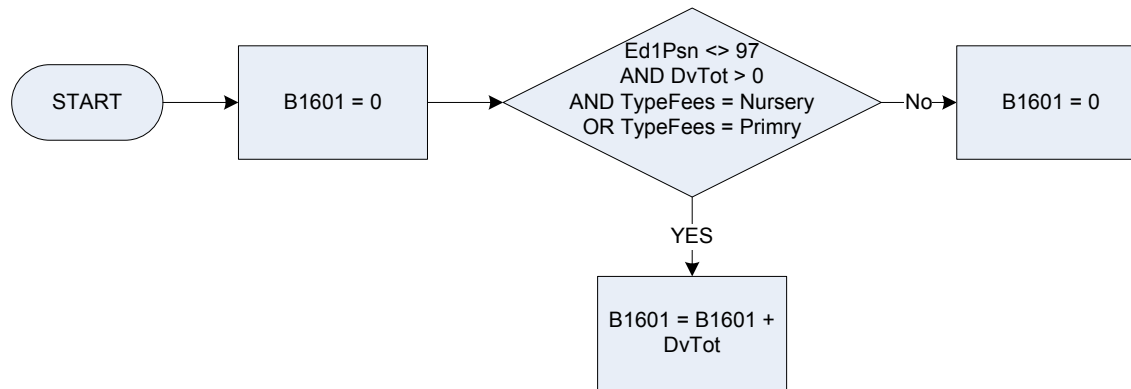
## B1591 – Services in rent excluding gas, electricity, etc - amount



### KEY

<b>B159</b>	Service charge included in rent – amount
<b>DVSerCon</b>	Derived from SerCon to give a weekly amount – (SerCon – Rent: estimate of amount for contents insurance)
<b>DVSerElec</b>	Derived from SerElec to give a weekly amount – (SerElec – Rent: estimate of amount for electric heating, cooking and lighting)
<b>DVSerGas</b>	Derived from SerGas to give a weekly amount – (SerGas – Rent: estimate of amount for gas heating and cooking)
<b>DVSerLic</b>	Derived from SerLic to give a weekly amount – (SerLic – Rent: estimate of amount for TV licence)
<b>DVSerTV</b>	Derived from SerTV to give a weekly amount - (SerTV – Rent: estimate of amount for TV/Video rental)

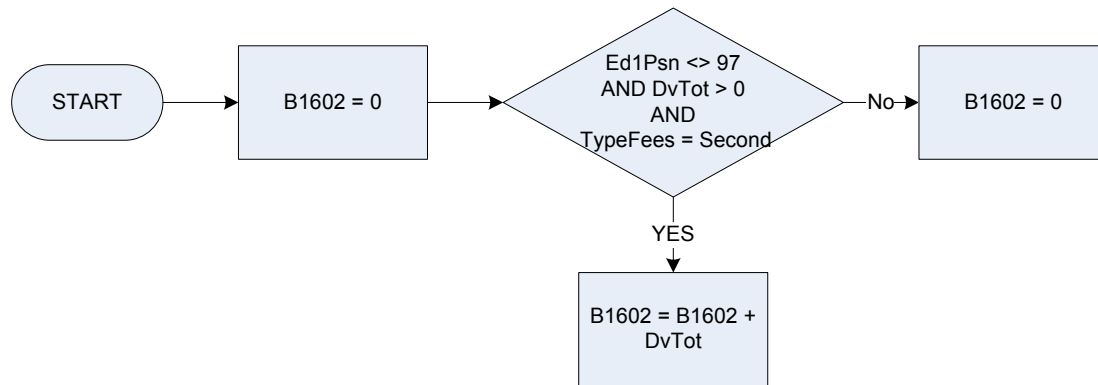
## B1601 – Amount paid for nursery and primary education last quarter



### KEY

<b>DvTot</b>	Derived from Ed1Amt to give a weekly amount – ( <i>Ed1Amt – Education: What is the total amount paid in the last 3 months?</i> )
<b>Ed1Psn</b>	Education: Who is/was attending the course? (Code 97 for someone outside the household attending the course)
<b>TypeFees</b>	Were the fees/ maintenance etc for school, college, university or something else?
<b>Nursery</b>	<i>Nursery school attached to primary school</i>
<b>Primry</b>	<i>Primary school, incl reception class</i>
<b>Second</b>	<i>Secondary school</i>
<b>College</b>	<i>Sixth Form College/ College</i>
<b>Uni</b>	<i>University</i>
<b>Other</b>	<i>Other</i>

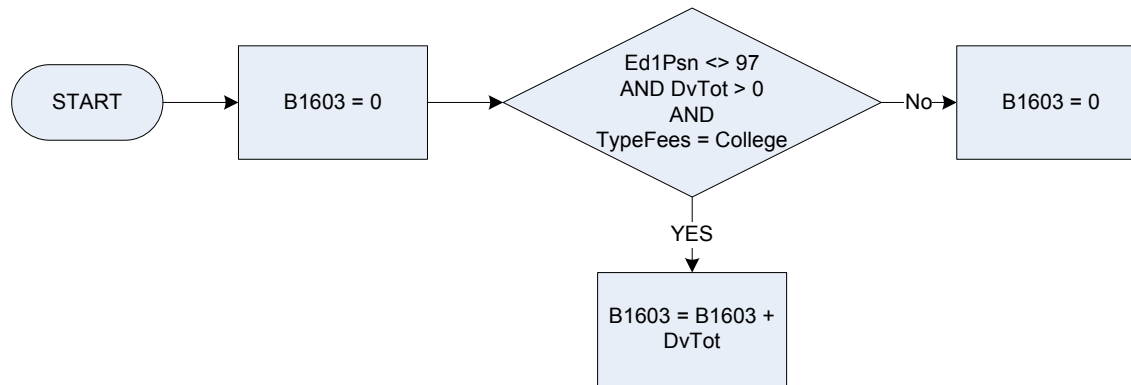
## B1602 – Amount paid for secondary education last quarter



### KEY

<b>DvTot</b>	Derived from Ed1Amt to give a weekly amount – ( <i>Ed1Amt – Education: What is the total amount paid in the last 3 months?</i> )
<b>Ed1Psn</b>	Education: Who is/was attending the course? (Code 97 for someone outside the household attending the course)
<b>TypeFees</b>	Were the fees/ maintenance etc for school, college, university or something else?
<b>Nursery</b>	<i>Nursery school attached to primary school</i>
<b>Primry</b>	<i>Primary school, incl reception class</i>
<b>Second</b>	<i>Secondary school</i>
<b>College</b>	<i>Sixth Form College/ College</i>
<b>Uni</b>	<i>University</i>
<b>Other</b>	<i>Other</i>

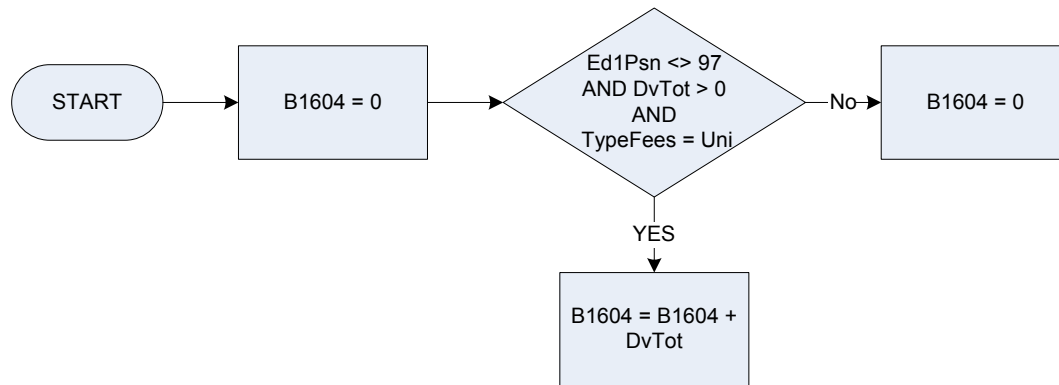
## B1603 – Amount paid for sixth form college/coll education last quarter



### KEY

<b>DvTot</b>	Derived from Ed1Amt to give a weekly amount – (Ed1Amt – Education: What is the total amount paid in the last 3 months?)
<b>Ed1Psn</b>	Education: Who is/was attending the course? (Code 97 for someone outside the household attending the course)
<b>TypeFees</b>	Were the fees/ maintenance etc for school, college, university or something else?
<b>Nursery</b>	<i>Nursery school attached to primary school</i>
<b>Primry</b>	<i>Primary school, incl reception class</i>
<b>Second</b>	<i>Secondary school</i>
<b>College</b>	<i>Sixth Form College/ College</i>
<b>Uni</b>	<i>University</i>
<b>Other</b>	<i>Other</i>

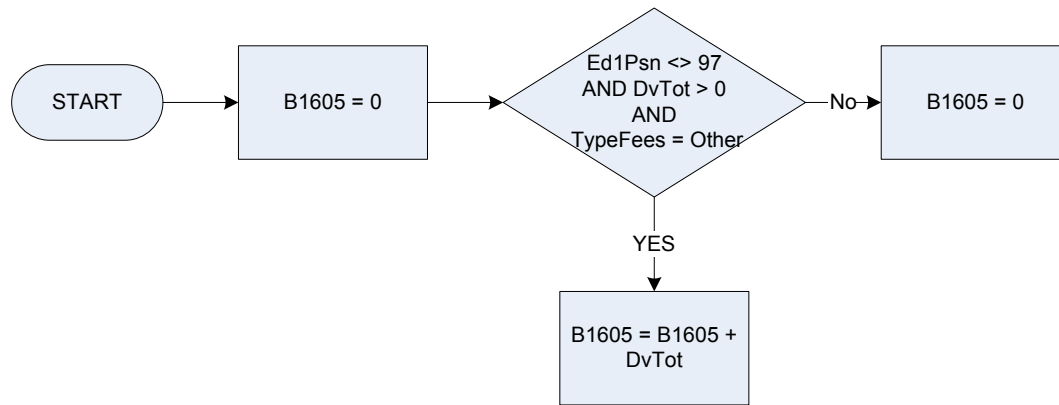
## B1604 – Amount paid for university education last quarter



### KEY

<b>DvTot</b>	Derived from Ed1Amt to give a weekly amount – ( <i>Ed1Amt – Education: What is the total amount paid in the last 3 months?</i> )
<b>Ed1Psn</b>	Education: Who is/was attending the course? (Code 97 for someone outside the household attending the course)
<b>TypeFees</b>	Were the fees/ maintenance etc for school, college, university or something else?
<b>Nursery</b>	<i>Nursery school attached to primary school</i>
<b>Primry</b>	<i>Primary school, incl reception class</i>
<b>Second</b>	<i>Secondary school</i>
<b>College</b>	<i>Sixth Form College/ College</i>
<b>Uni</b>	<i>University</i>
<b>Other</b>	<i>Other</i>

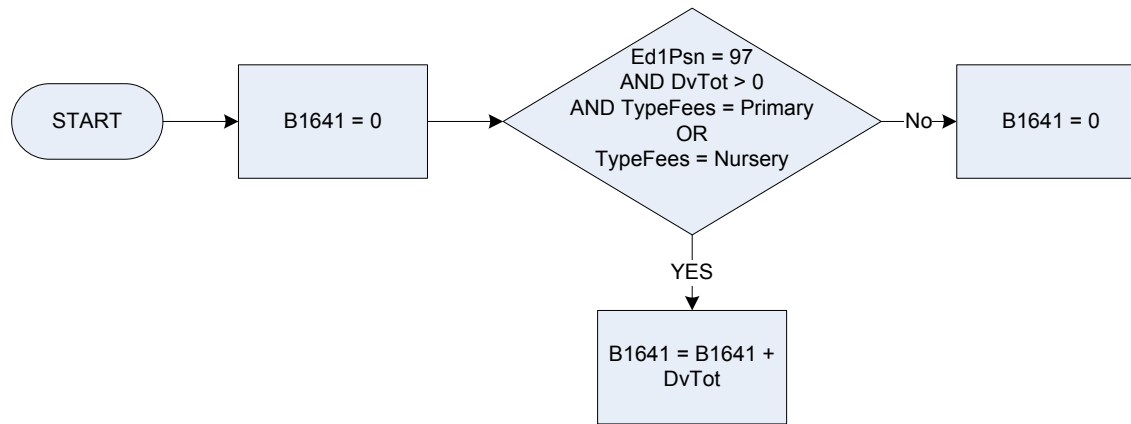
## B1605 – Amount paid for other education last quarter



### KEY

<b>DvTot</b>	Derived from Ed1Amt to give a weekly amount – ( <i>Ed1Amt – Education: What is the total amount paid in the last 3 months?</i> )
<b>Ed1Psn</b>	Education: Who is/was attending the course? (Code 97 for someone outside the household attending the course)
<b>TypeFees</b>	Were the fees/ maintenance etc for school, college, university or something else?
<b>Nursery</b>	<i>Nursery school attached to primary school</i>
<b>Primry</b>	<i>Primary school, incl reception class</i>
<b>Second</b>	<i>Secondary school</i>
<b>College</b>	<i>Sixth Form College/ College</i>
<b>Uni</b>	<i>University</i>
<b>Other</b>	<i>Other</i>

**B1641 – Members outside household – educ fees on nursery & primary last quarter**

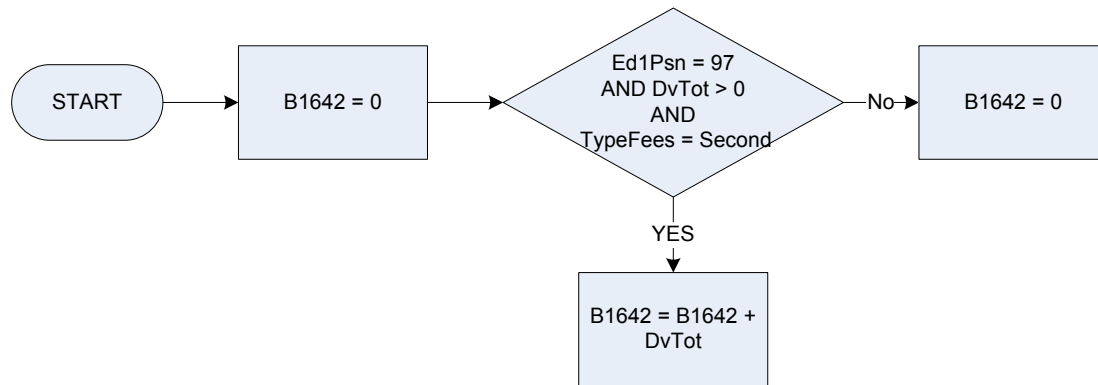


**KEY**

- DvTot** Derived from Ed1Amt to give a weekly amount – (Ed1Amt – Education: What is the total amount paid in the last 3 months?)
- Ed1Psn** Education: Who is/was attending the course? (Code 97 for someone outside the household attending the course)
- TypeFees** Were the fees/ maintenance etc for school, college, university or something else?
- Nursery** *Nursery school attached to primary school*
  - Primry** *Primary school, incl reception class*
  - Second** *Secondary school*
  - College** *Sixth Form College/ College*
  - Uni** *University*
  - Other** *Other*



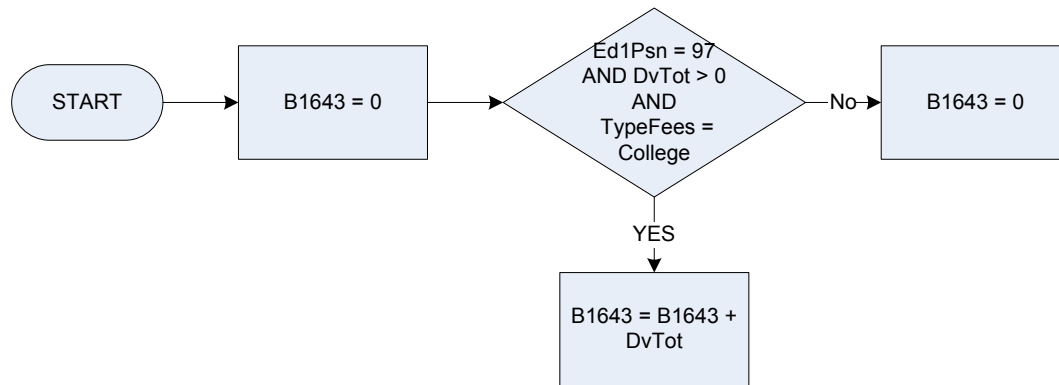
## B1642 – Members outside household – educ fees on secondary last quarter



### KEY

<b>DvTot</b>	Derived from Ed1Amt to give a weekly amount – ( <i>Ed1Amt – Education: What is the total amount paid in the last 3 months?</i> )
<b>Ed1Psn</b>	Education: Who is/was attending the course? (Code 97 for someone outside the household attending the course)
<b>TypeFees</b>	Were the fees/ maintenance etc for school, college, university or something else?
<b>Nursery</b>	<i>Nursery school attached to primary school"</i>
<b>Primry</b>	<i>Primary school, incl reception class</i>
<b>Second</b>	<i>Secondary school</i>
<b>College</b>	<i>Sixth Form College/ College</i>
<b>Uni</b>	<i>University</i>
<b>Other</b>	<i>Other</i>

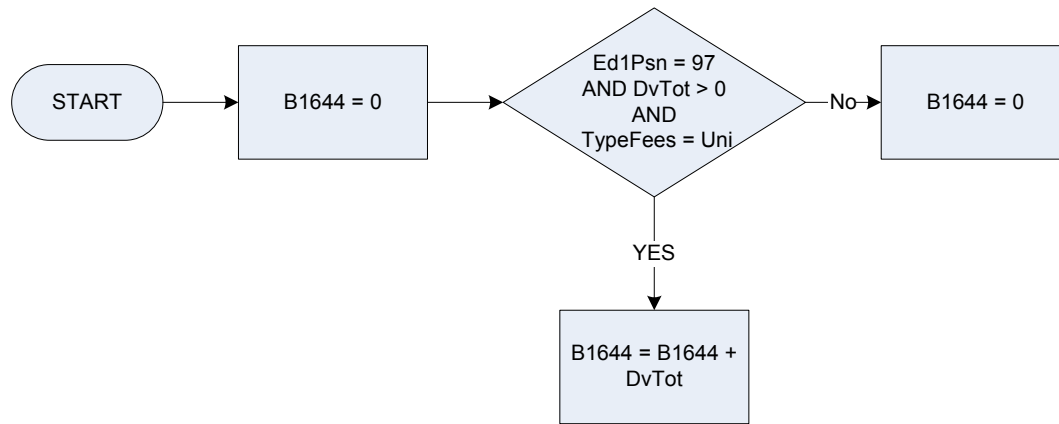
**B1643 – Members outside household – educ fees on 6<sup>th</sup> form college/college last quarter**



**KEY**

- DvTot** Derived from Ed1Amt to give a weekly amount – (*Ed1Amt – Education: What is the total amount paid in the last 3 months?*)
- Ed1Psn** Education: Who is/was attending the course? (Code 97 for someone outside the household attending the course)
- TypeFees** Were the fees/ maintenance etc for school, college, university or something else?
- Nursery** Nursery school attached to primary school
- Primry** Primary school, incl reception class
- Second** Secondary school
- College** Sixth Form College/ College
- Uni** University
- Other** Other

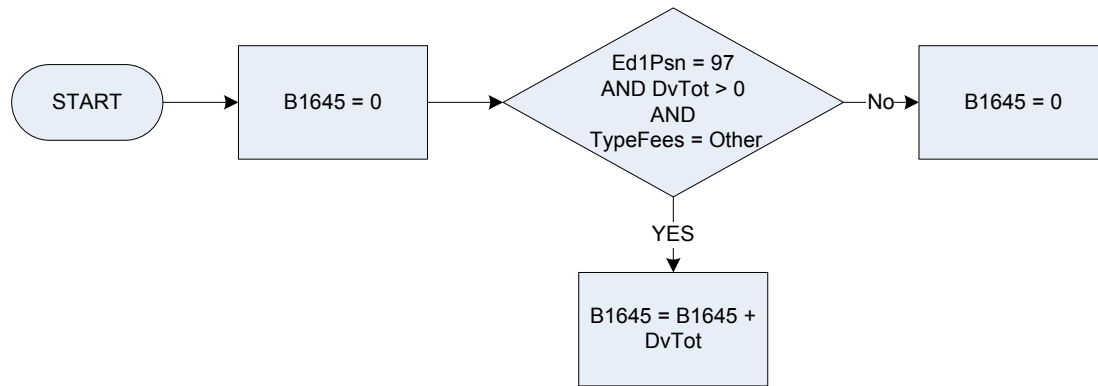
## B1644 – Members outside household – educ fees on univeristy last quarter



### KEY

<b>DvTot</b>	Derived from Ed1Amt to give a weekly amount – ( <i>Ed1Amt – Education: What is the total amount paid in the last 3 months?</i> )
<b>Ed1Psn</b>	Education: Who is/was attending the course? (Code 97 for someone outside the household attending the course)
<b>TypeFees</b>	Were the fees/ maintenance etc for school, college, university or something else?
<b>Nursery</b>	<i>Nursery school attached to primary school</i>
<b>Primry</b>	<i>Primary school, incl reception class</i>
<b>Second</b>	<i>Secondary school</i>
<b>College</b>	<i>Sixth Form College/ College</i>
<b>Uni</b>	<i>University</i>
<b>Other</b>	<i>Other</i>

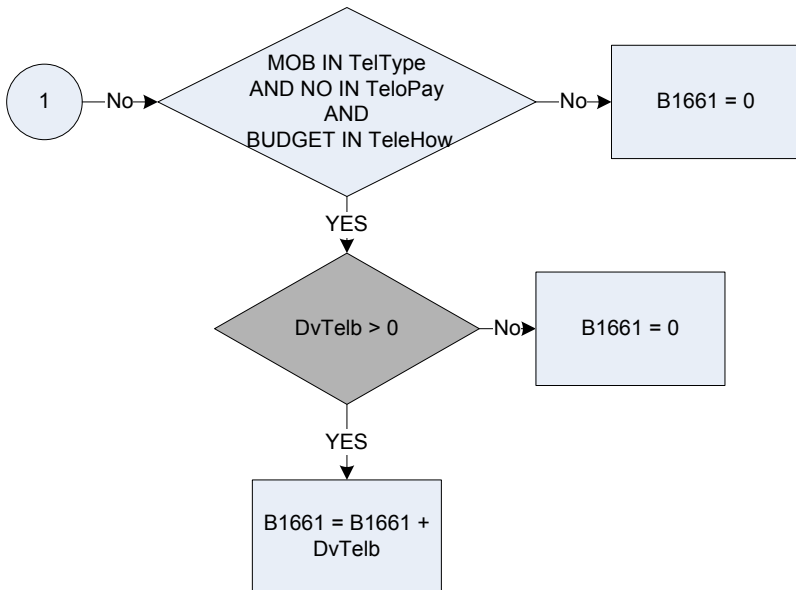
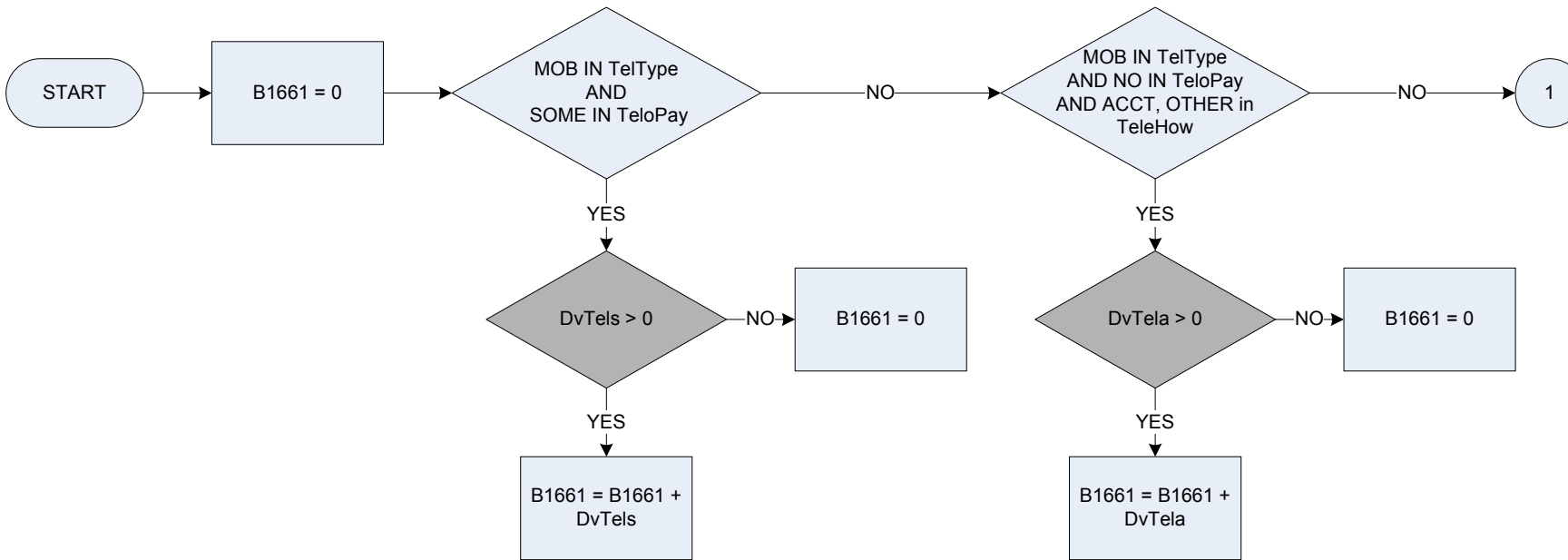
## B1645 – Members outside household – education fees on other education last quarter



### KEY

<b>DvTot</b>	Derived from Ed1Amt to give a weekly amount – ( <i>Ed1Amt – Education: What is the total amount paid in the last 3 months?</i> )
<b>Ed1Psn</b>	Education: Who is/was attending the course? (Code 97 for someone outside the household attending the course)
<b>TypeFees</b>	Were the fees/ maintenance etc for school, college, university or something else?
<b>Nursery</b>	<i>Nursery school attached to primary school</i>
<b>Primry</b>	<i>Primary school, incl reception class</i>
<b>Second</b>	<i>Secondary school</i>
<b>College</b>	<i>Sixth Form College/ College</i>
<b>Uni</b>	<i>University</i>
<b>Other</b>	<i>Other</i>

# B1661 – Mobile telephone account



## KEY

**DvTela**

Derived from TelAcAmt to give a weekly amount – (TelAcAmt – Telephone: How much did the respondent pay last time?)

**DvTelb**

Derived from TelBgAmt to give a weekly amount – (TelBgAmt – Telephone: How much did the respondent pay last time?)

**DvTels**

Derived from TelShAmt to give a weekly amount – (TelShAmt – Telephone: How much was the respondent's share of the bill?)

**TeleHow**

By which method does the respondent pay?

**Acct** account

**Budget** budgeting scheme

**Other** some other method?

**TeloPay**

Did anyone outside the household, other than their employer, give the respondent money for?

**All** all

**Some** some of the account

**No** Spontaneous - No to both

**TelType**

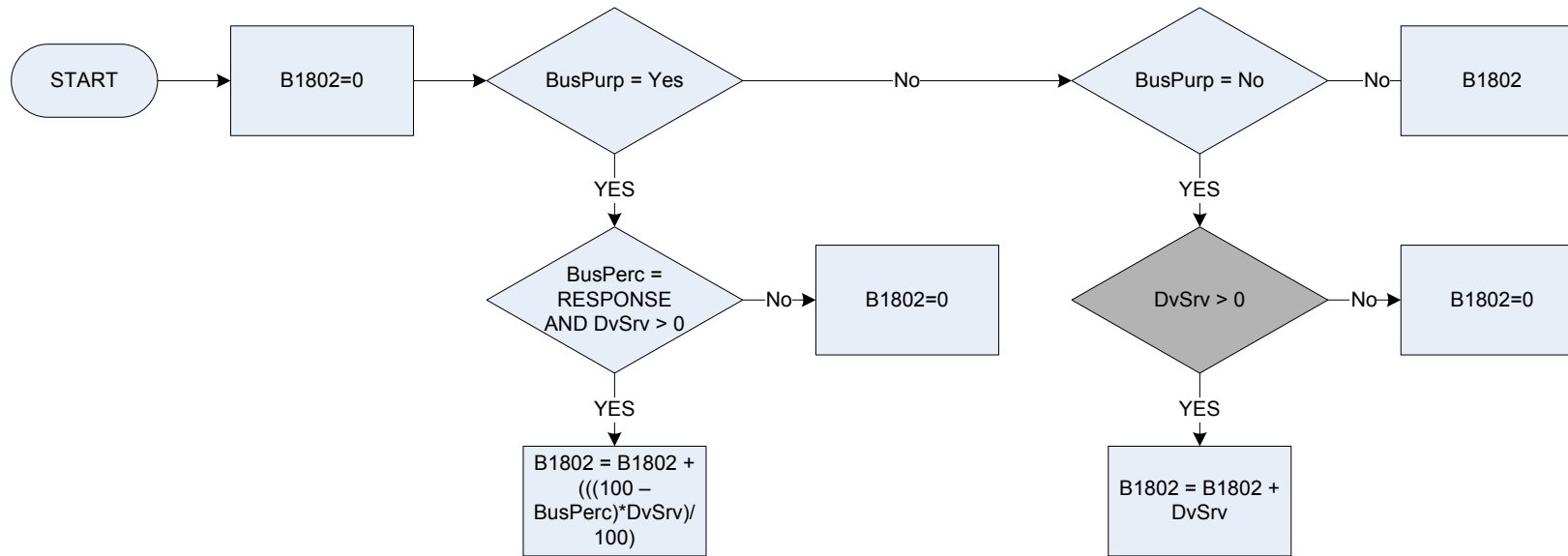
What is the type of phone service?

**Merc** BT/Mercury landline

**Mob** Mobile phone

**Cab** Cable phone

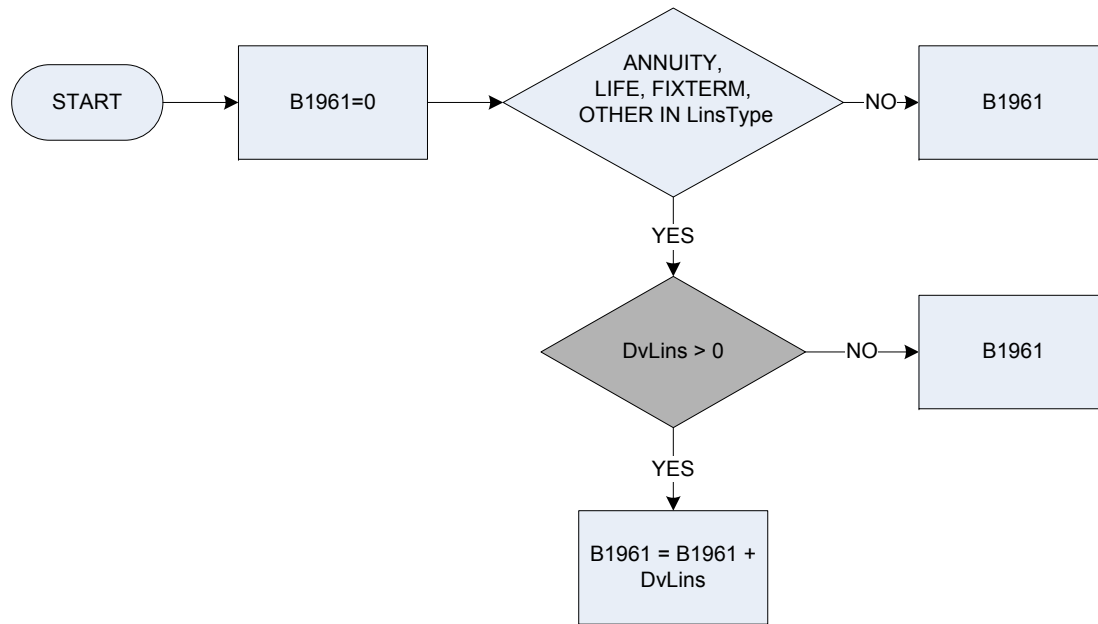
## B1802 – Bank & Building societies charges – net amount last 3 mnths



### KEY

**BusPerc** How much was for business?  
**BusPurp** Was any of this amount for business purposes?  
**DvSrv** Derived from SrvChgAm to give a weekly amount – (SrvChgAm – Bank: How much did the respondent pay excluding interest, in the last 3 months?)

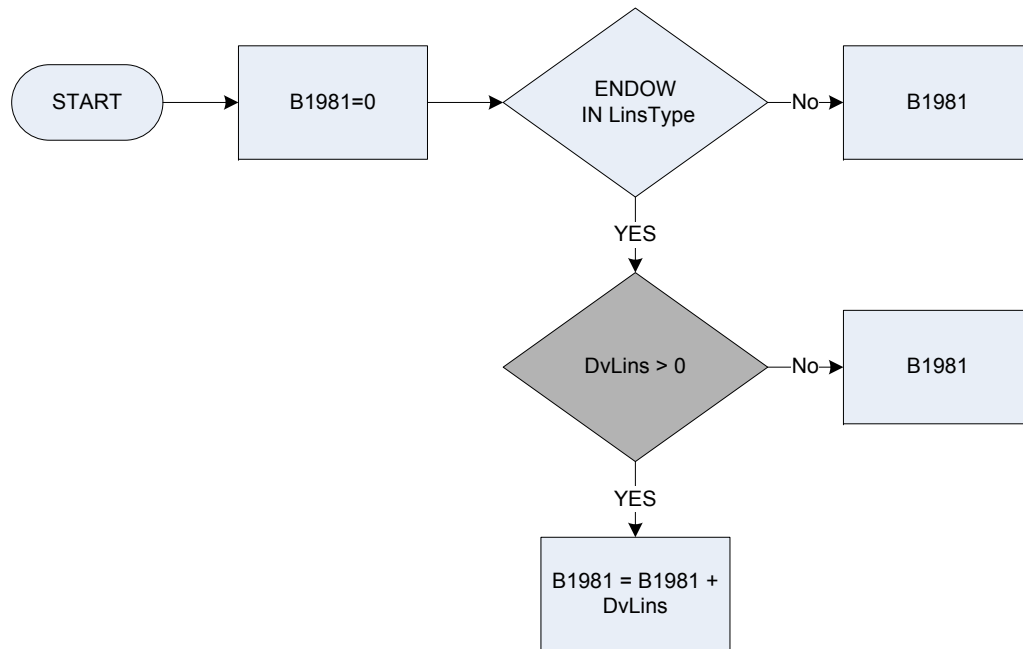
## B1961 – Life insurance – amount premium



### KEY

<b>DvLins</b>	Derived from LinsAmt to give a weekly amount – ( <i>LinsAmt – Life Insurance: How much was the last payment?</i> )
<b>LinsType</b>	What type of policy is this?
<b>Annuity</b>	<i>Annuity</i>
<b>Endow</b>	<i>Endowment (including endowment savings plan)</i>
<b>Life</b>	<i>Life (excluding fixed term) or death</i>
<b>Fixterm</b>	<i>Fixed term life (including retirement policy, capital accumulation plan)</i>
<b>Other</b>	<i>Other</i>

## B1981 – Endowment policies – amount premium

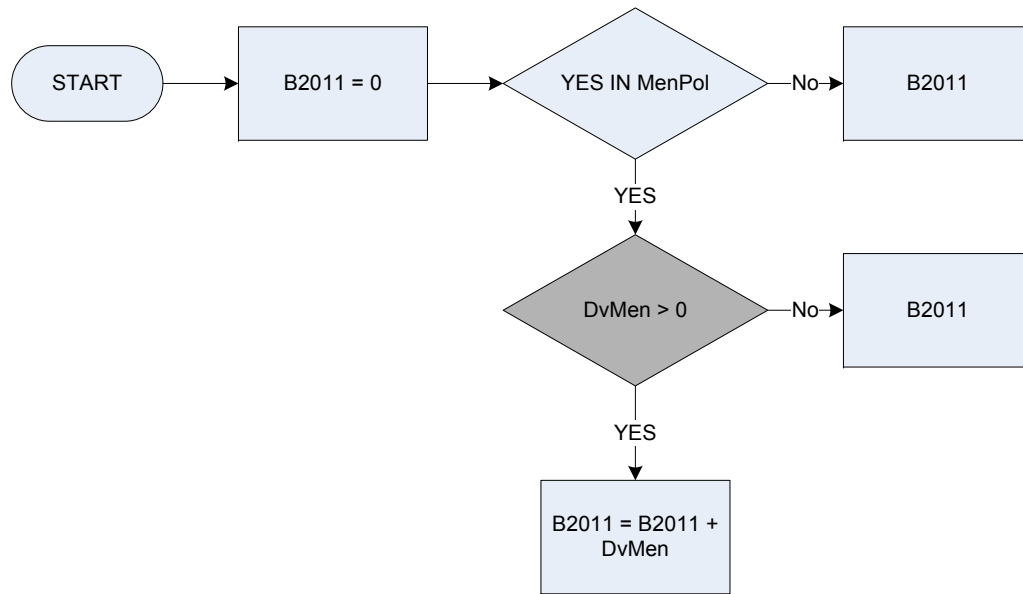


### KEY

<b>DvLins</b>	Derived from LinsAmt to give a weekly amount – ( <i>LinsAmt – Life Insurance: How much was the last payment?</i> )
<b>LinsType</b>	What type of policy is this?
<b>Annuity</b>	<i>Annuity</i>
<b>Endow</b>	<i>Endowment (including endowment savings plan)</i>
<b>Life</b>	<i>Life (excluding fixed term) or death</i>
<b>Fixterm</b>	<i>Fixed term life (including retirement policy, capital accumulation plan)</i>
<b>Other</b>	<i>Other</i>



## B2011 – Mortgage endowment policy – amount premium



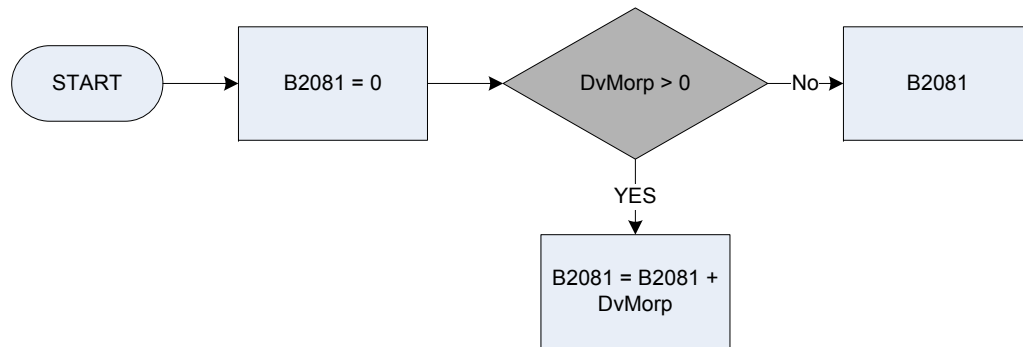
### KEY

**DvMen**  
**MenPol**

Derived from Menpolam to give a weekly amount – (*Menpolam – Mortgage: How much was the respondent's last payment on the endowment policies/pension plan/PEP/unit trust/ISA?*)  
Are there any endowment policies/pension plan/PEP/unit trust/ISA covering the repayment of this mortgage or loan?

1 Yes  
2 No

## B2081 – Mortgage protection – amount premium

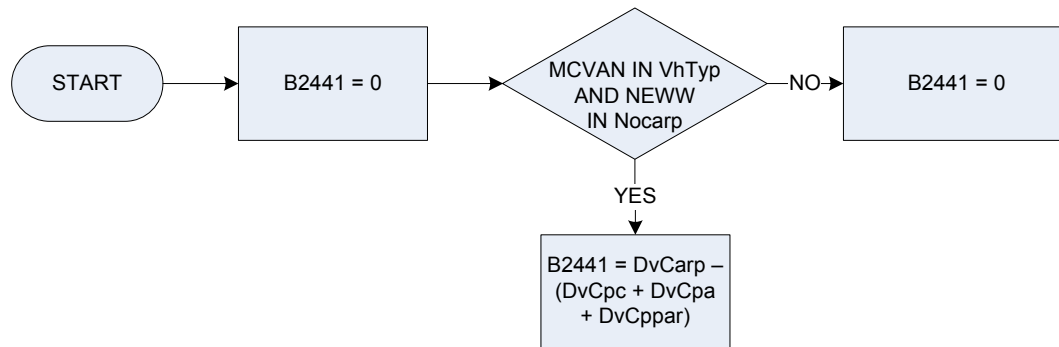


### KEY

**DvMorp** Derived from MortProt to give a weekly amount – (*MortProt – Mortgage: Does the respondent have a mortgage protection policy to repay this mortgage in the event of sickness/accident, redundancy or death?*)

- 1 Yes
- 2 No

## B2441 – Vehicle cost of new motor caravan outright



### KEY

<b>DvCarp</b>	Derived from Carpamt to give a weekly amount – (Carpamt – Vehicles: How much was the cash price of this vehicle, BEFORE taking off any part exchange or trade-in?)
<b>DVCpa</b>	Derived from Cpinsamt to give a weekly amount – (Cpinsamt – Vehicles: How much was included for vehicle insurance? )
<b>DvCpc</b>	Derived from Cpparamt to give a weekly amount – (Cpparamt – Vehicles: How much was allowed for road tax?)
<b>DvCppar</b>	Derived from Cpparamt to give a weekly amount– (Cpparamt – Vehicles: How much was allowed for part exchange/trade-in?)

### VhTyp

Is the vehicle:

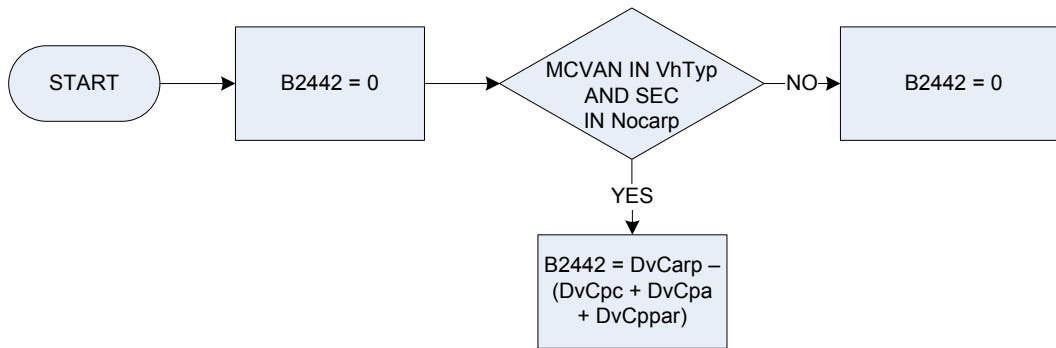
<b>Car</b>	a car,
<b>Ivan</b>	a light van,
<b>mcycle</b>	a motor cycle,
<b>mcvan</b>	a motor caravan,
<b>other</b>	or some other motor vehicle?

### Nocarp

Was the vehicle new or second-hand?

<b>NEWW</b>	New
<b>SEC</b>	Second-hand

## B2452 – Vehicle cost of second hand motor caravan outright



### KEY

<b>DvCarp</b>	Derived from Carpamt to give a weekly amount – (Carpamt – Vehicles: How much was the cash price of this vehicle, BEFORE taking off any part exchange or trade-in?)
<b>DVCpa</b>	Derived from Cpinsamt to give a weekly amount – (Cpinsamt – Vehicles: How much was included for vehicle insurance? )
<b>DvCpc</b>	Derived from Cpparamt to give a weekly amount – (Cpparamt – Vehicles: How much was allowed for road tax?)
<b>DvCppar</b>	Derived from Cpparamt to give a weekly amount– (Cpparamt – Vehicles: How much was allowed for part exchange/trade-in?)

### VhTyp

Is the vehicle:

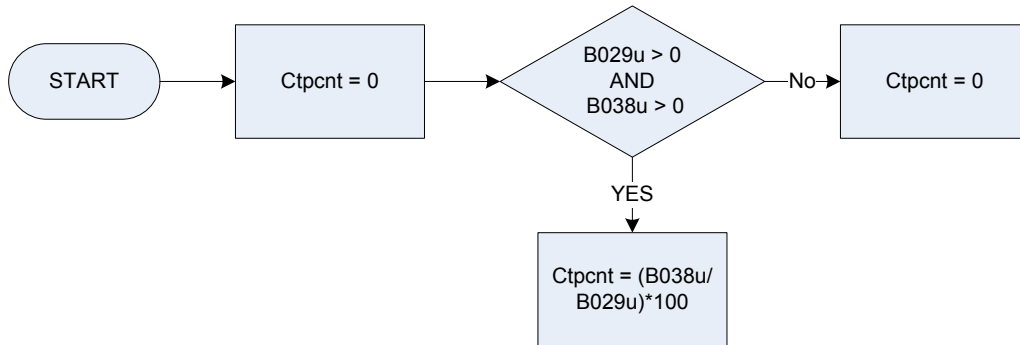
<b>Car</b>	a car,
<b>Ivan</b>	a light van,
<b>mcycle</b>	a motor cycle,
<b>mcvan</b>	a motor caravan,
<b>other</b>	or some other motor vehicle?

### Nocarp

Was the vehicle new or second-hand?

<b>NEWW</b>	New
<b>SEC</b>	Second-hand

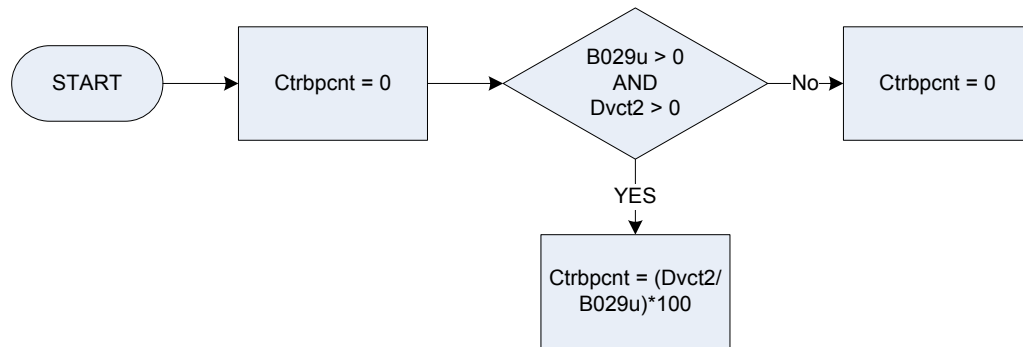
**CTPCNT – Council Tax: amount paid as % of amount due**



**KEY**

**B029u** Council tax payable after status discount  
**B038u** Council tax – last payment weekly amount

## CTRBPCNT – Council Tax: rebate received as % of amount due

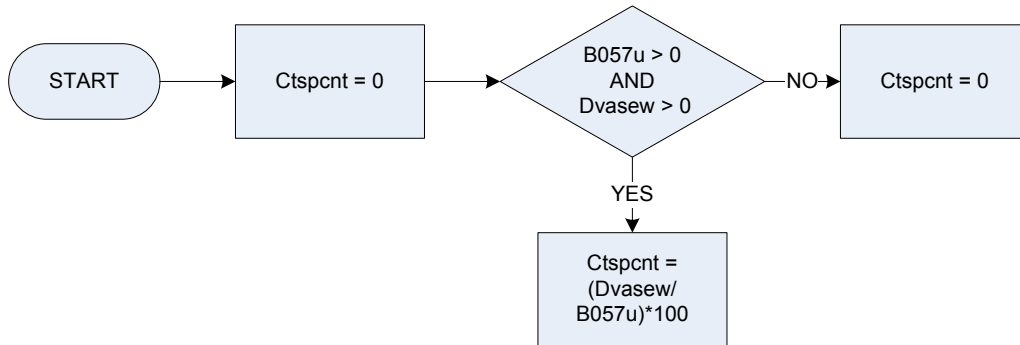


### KEY

**B029u**  
**DVct2**

Council tax payable after status discount  
Derived from CTRRebAmt to give a weekly amount – (CTRRebAmt – Council Tax: How much was allowed?)

**CTSPCNT – Council sewerage charge: amount as % of amount due**

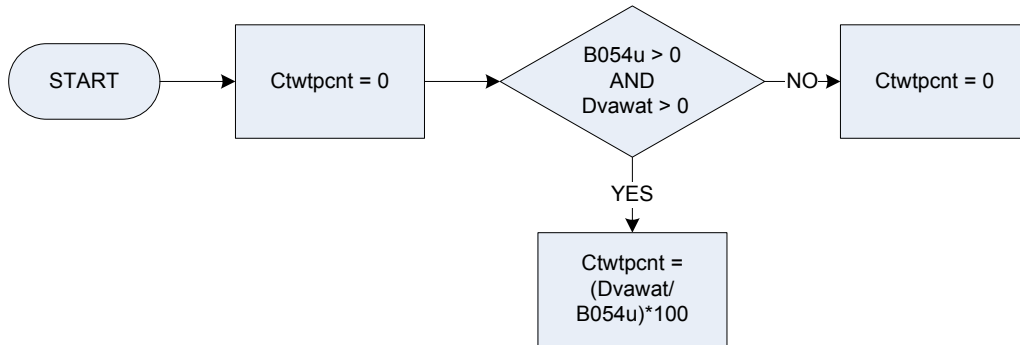


**KEY**

**B057u**  
**Dvasew**

Council sewerage charge after status discount  
Derived from CTSeW to give a weekly amount – (CTSeW – Council Tax: How much was included in the last council tax payment for council Sewerage charge?)

**CTWTPCNT – Council water charge: amnt paid as % of amount due**



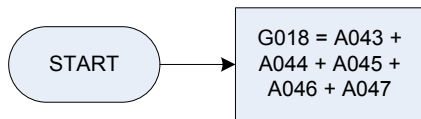
**KEY**

**B054u** Council water charge after status discount

**Dvawat** Derived from CTWat to give a weekly amount - (CTWat – Council Tax: How much was included in the last council tax payment for council watercharge?)



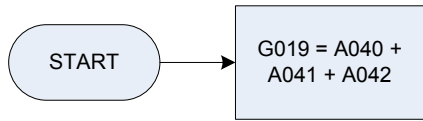
## G018 – Number of adults



### KEY

<b>A043</b>	No of adults – age 18 and under 45
<b>A044</b>	No of adults – age 45 and under 60
<b>A045</b>	No of adults – age 60 and under 65
<b>A046</b>	No of adults – age 65 and under 70
<b>A047</b>	No of adults – age 70 and over

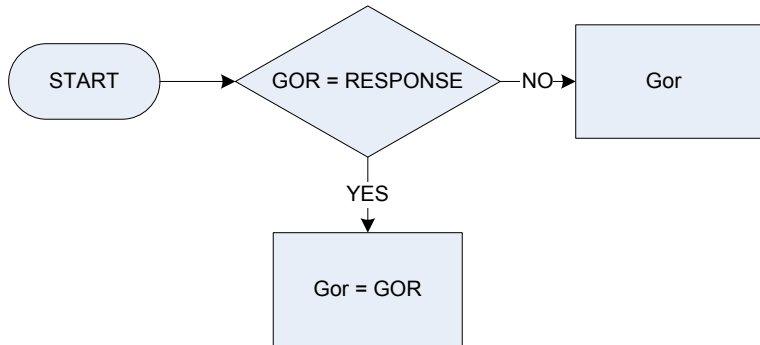
## G019 – Number of members



### KEY

<b>A040</b>	Number of children age under 2
<b>A041</b>	Number of children age 2 and under 5
<b>A042</b>	Number of children age 5 and under 18

## Gor – Government Office Region



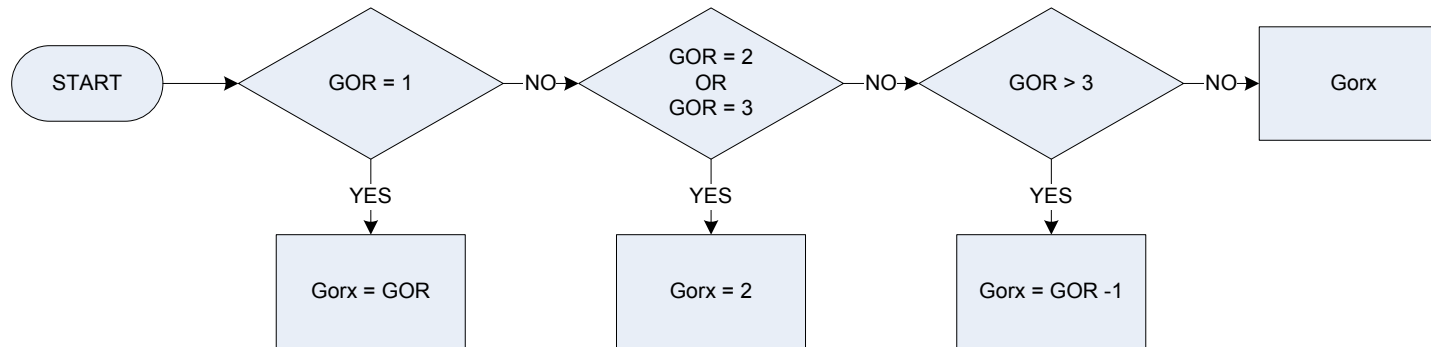
### KEY

#### GOR

Government office region

- |    |                          |
|----|--------------------------|
| 1  | North East               |
| 2  | North West               |
| 3  | Merseyside               |
| 4  | Yorkshire and the Humber |
| 5  | East Midlands            |
| 6  | West Midlands            |
| 7  | Eastern                  |
| 8  | London                   |
| 9  | South East               |
| 10 | South West               |
| 11 | Wales                    |
| 12 | Scotland                 |
| 13 | Northern Ireland         |

## Gorx – Government Office Region modified



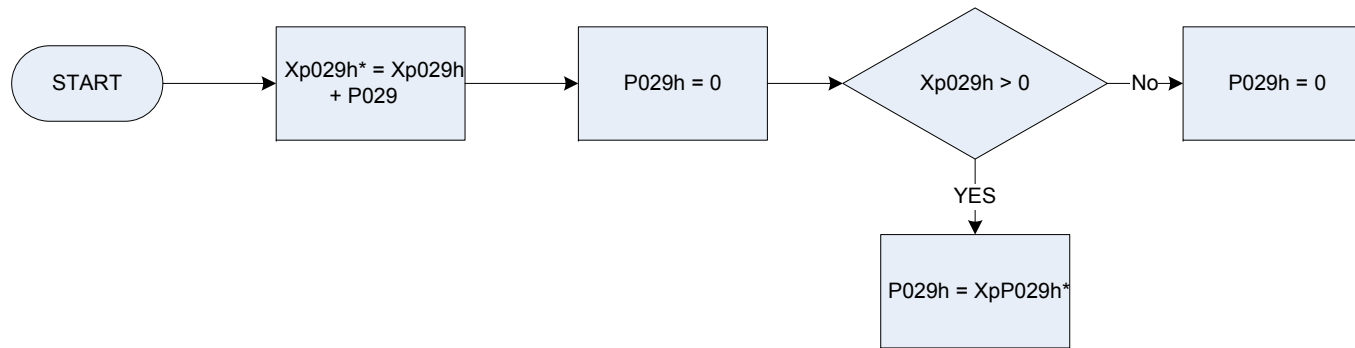
### KEY

#### **GORX**

Government office region modified

- 1 North East
- 2 North West & Merseyside
- 3 Yorkshire and the Humber
- 4 East Midlands
- 5 West Midlands
- 6 Eastern
- 7 London
- 8 South East
- 9 South West
- 10 Wales
- 11 Scotland
- 12 Northern Ireland

## P029h – NI contributions paid by non-employees - household

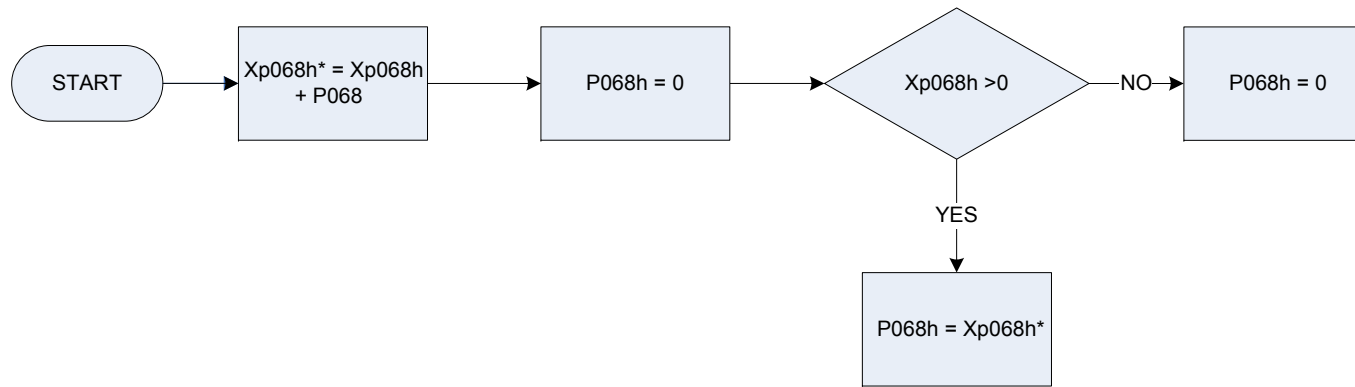


### KEY

**P029** NI contributions paid by non – employees (person level)  
**Xp029h\*** Temporary variable used in calculations - The sum of all NI contributions paid by non-employees made by household members (P029)

\*If more than one respondent makes NI contributions then these are included in the total for Xp029h

## P068h - Tax deducted from pensions, investments, annuities - household

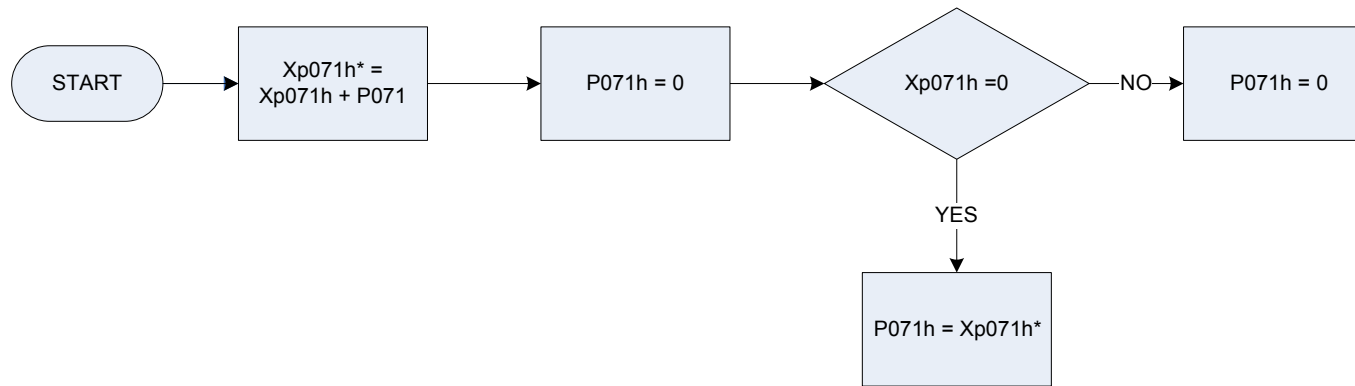


### KEY

**P068** Tax deducted from pensions, investments, annuities (person level)  
**Xp068h \*** Temporary variable used in calculations - The sum of all tax deductions from pensions, investments, annuities for household members (P068)

\*If more than one respondent has tax deducted from pensions, investments, annuities then these are both included in the total amount for  $Xp068h$

## P071h - Pension & superannuation contributions - household

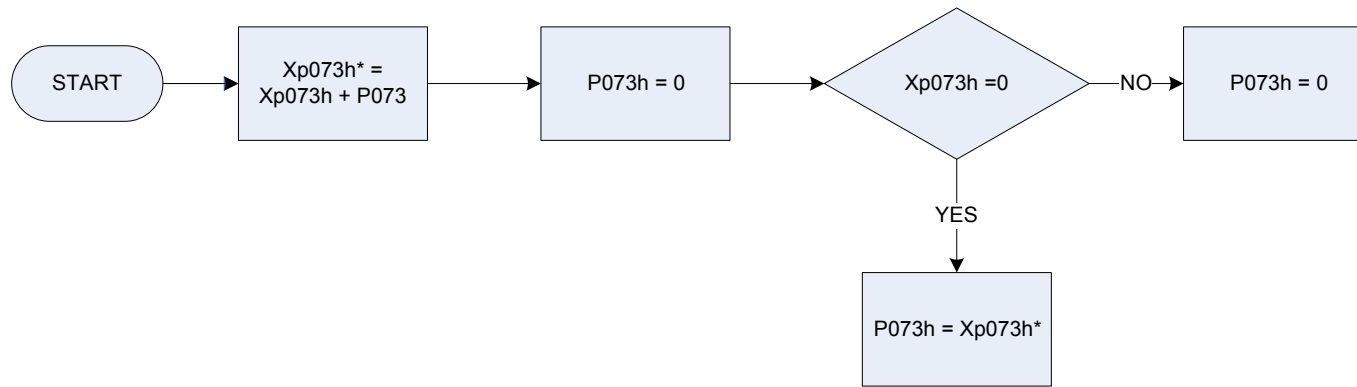


### KEY

**P071** Pension & superannuation contributions (person level)  
**Xp071h \*** Temporary variable used in calculations - The sum of all pension and superannuation contributions made by household members (P071)

\*If more than one respondent makes pensions & superannuation contributions then these are all included in the total amount for Xp071h

## P073h - Tax paid on bonuses - household



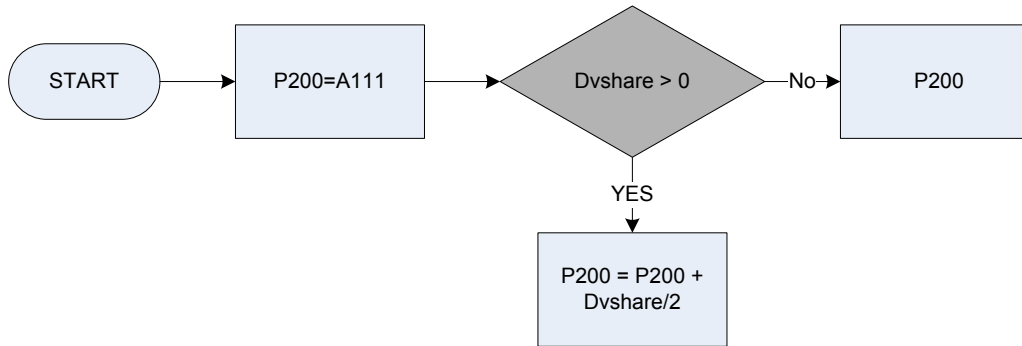
### KEY

**P073** Tax paid on bonuses (person level)  
**Xp073h \*** Temporary variable used in calculations - The sum of all tax paid on bonuses by household members (P073)

\*If more than one respondent has paid tax on bonuses then these are both included in the total amount for Xp073h



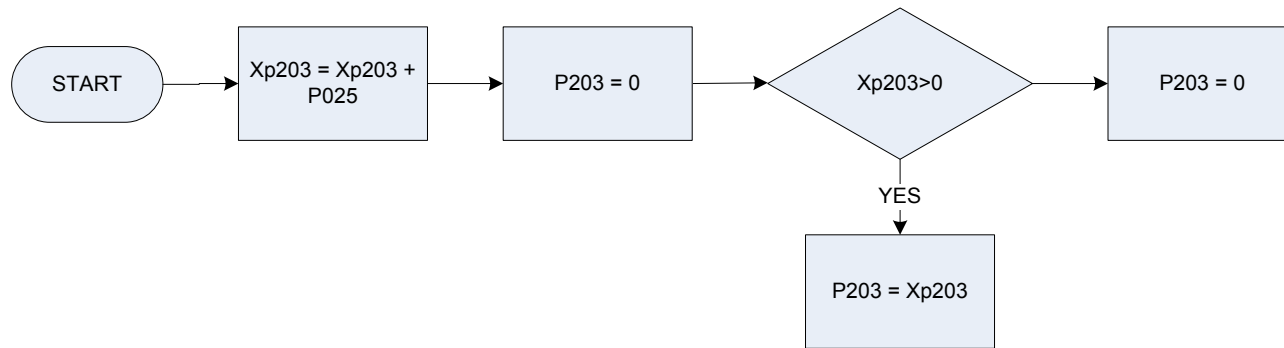
**P200 – Number of rooms occupied (DE basis)**



**KEY**

**A111** Rooms used solely by household  
**DvShare** Derived Variable for total number of shared rooms, excluding small kitchens and bathrooms

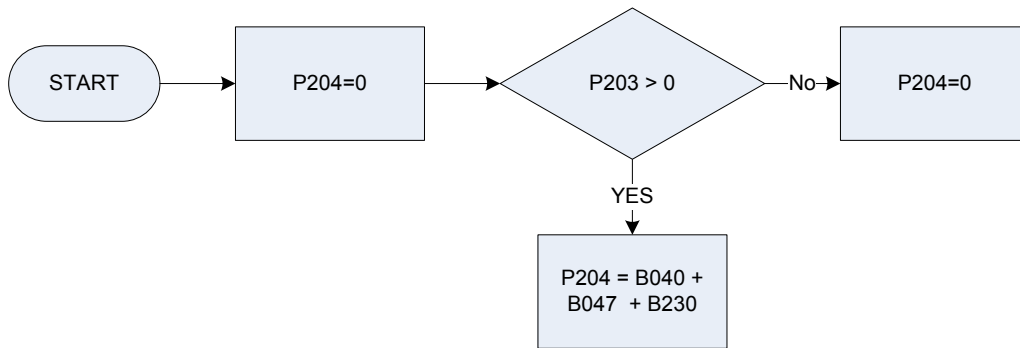
## P203 – Income support currently received - household



### KEY

**P025** Income support amount received (person level)  
**Xp203** Temporary variable used in calculations – The sum of all income support received by household members (P025)

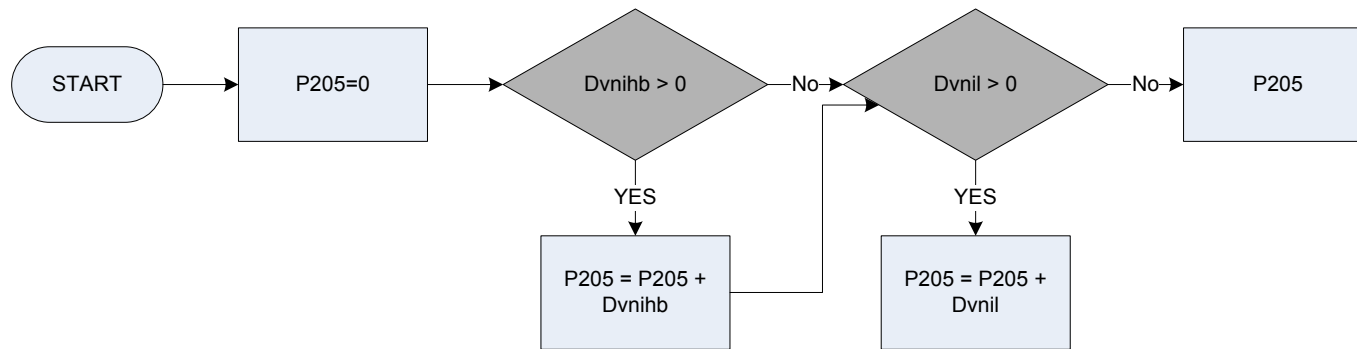
## P204 – Housing benefit for certified claimant



### KEY

<b>B040</b>	Rates rebate deducted from last rates/rent – amount
<b>B047</b>	Rates rebate - lump sum refunds last year
<b>B230</b>	Rent rebate -amount received inc non -sep rate rebate
<b>P203</b>	Income support currently received - household

## P205 – Rates rebates



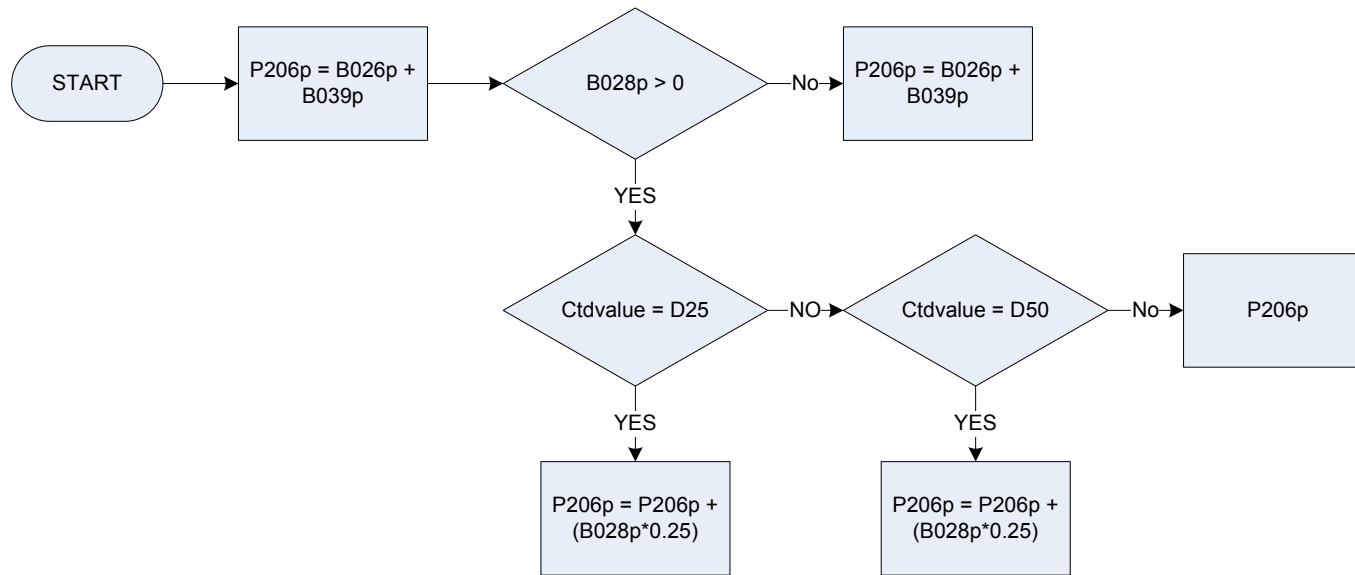
### KEY

**DvNihb**  
**DvNil**

Derived from RateDed to give a weekly amount – (RateDed - Northern Ireland rates: How much was deducted?)

Derived from HblAMT to give a weekly amount – (HblAMT – Northern Ireland rates: How much has the respondent received in lump sum rates rebates in the last 12 months?)

## P206p – Council tax rebate - anonymised



### KEY

**B026p**

Council tax – amount of discount for disabled

**B039p**

Council tax – amount of benefit/rebate weekly amount

**B028p**

Council tax – gross weekly amount payable

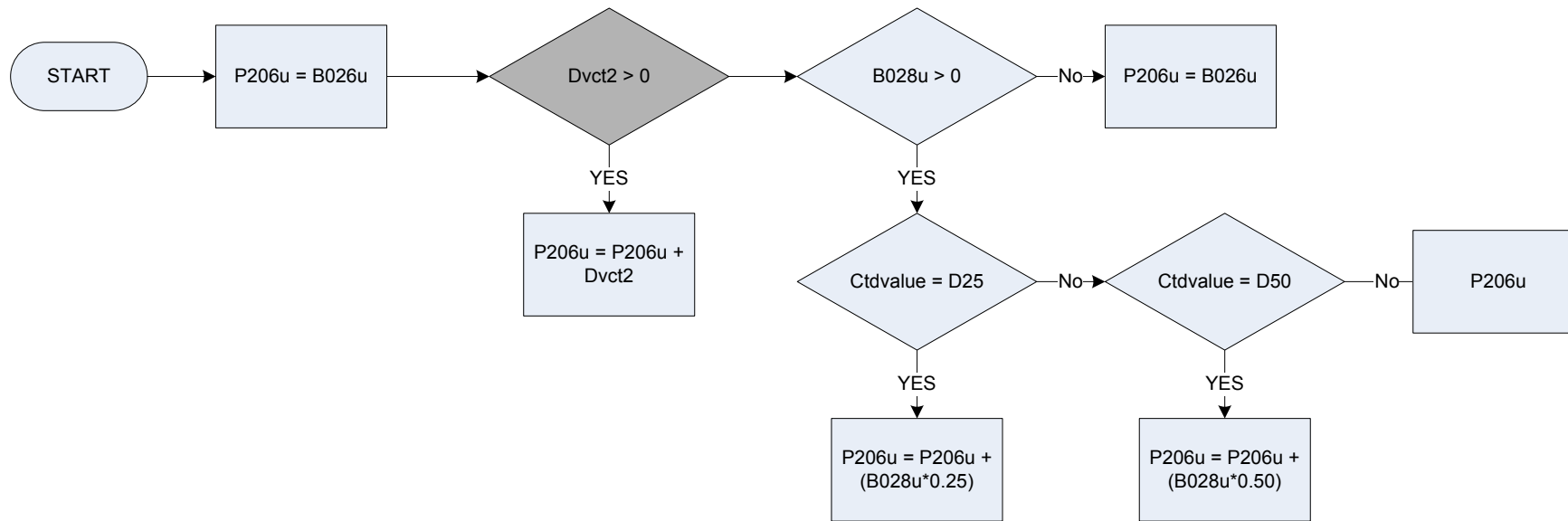
**CtdValue**

Was the respondent allowed: a 25% discount; or a 50% discount?

**D25** 25% discount

**D50** or a 50% discount?

## P206u – Council tax rebate



### KEY

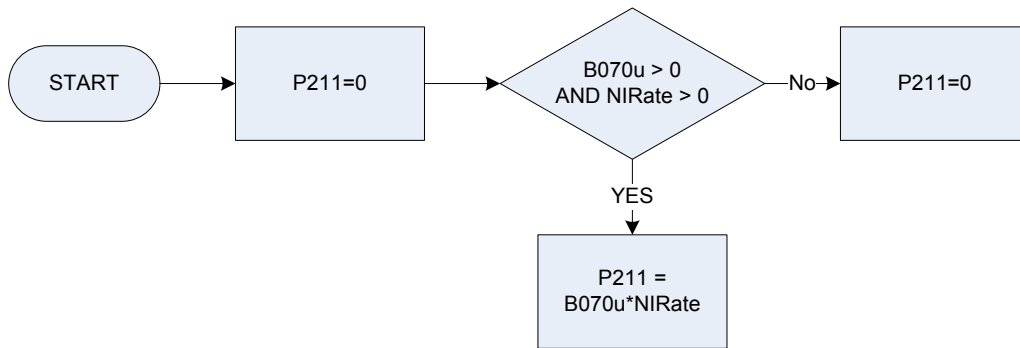
**B028u** Council tax – gross weekly amount payable

**B026u** Council tax - amount of discount for disabled

**Dvct2** Derived from CTRebAmt - How much was allowed?

**Ctdvalue** Was respondent allowed: a 25% discount; or a 50% discount?  
 D25 a 25% discount  
 D50 or a 50% discount?

## P211 – Calculated domestic rates

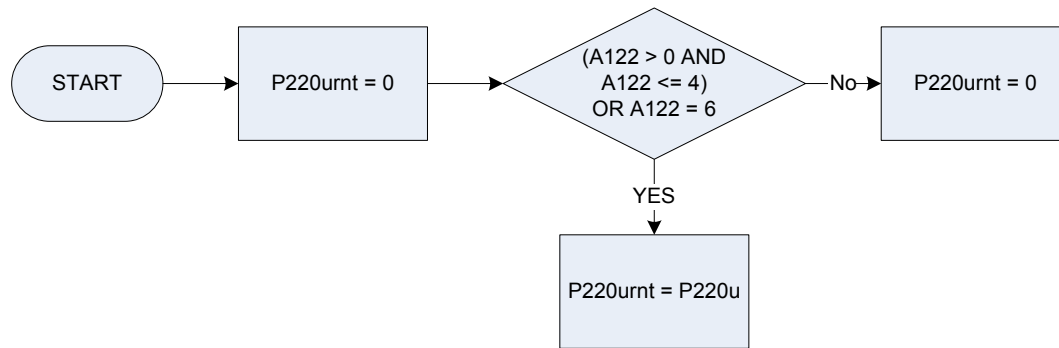


### KEY

**B070u**  
**NIRate**

Rateable value for part of dwelling occupied  
Domestic rates poundage - Northern Ireland only

**P220urnt – Rent | rate | council tax rebate or allowance – renters only**



**KEY**

**A122**

Tenure type – harmonised

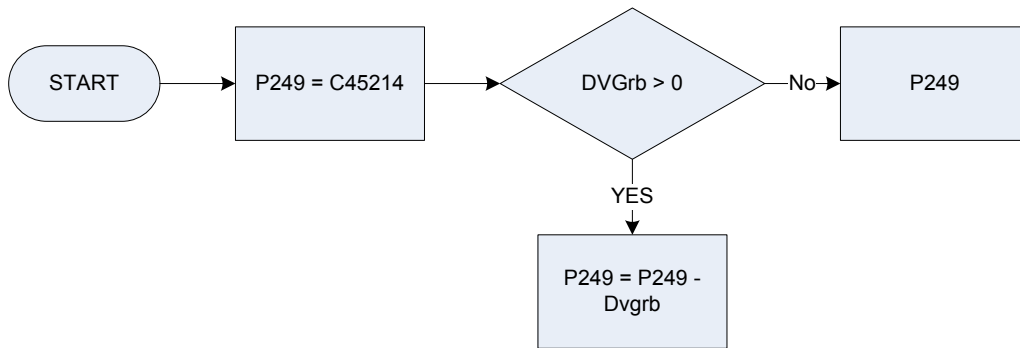
- 0** Not recorded
- 1** Local Authority (Furnished/Unfurnished)
- 2** Housing Association (Furnished/Unfurnished)
- 3** Private Rented Unfurnished
- 4** Private Rented Furnished
- 5** Owned with Mortgage (i.e. in process of purchase)
- 6** Owned by Rental Purchase
- 7** Owned Outright
- 8** Rent Free

**P220u**

Rent | rate | council tax rebate or allowance



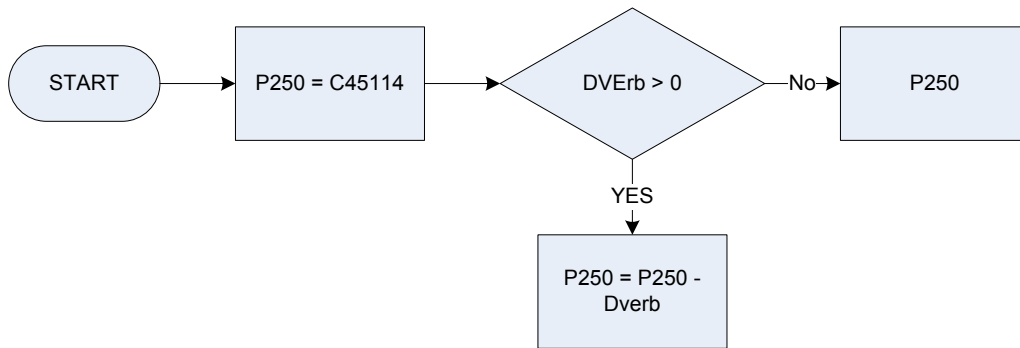
**P249 – Gas - slot meter / gas card or disc payments less all gas rebates**



**KEY**

**C45214** Expenditure code: Gas slot meter payment  
**Dvgrb** Derived from GRbAmt to give a weekly amount – (GRbAmt - How much was the last rebate before any deductions for hire purchase or credit sale?)

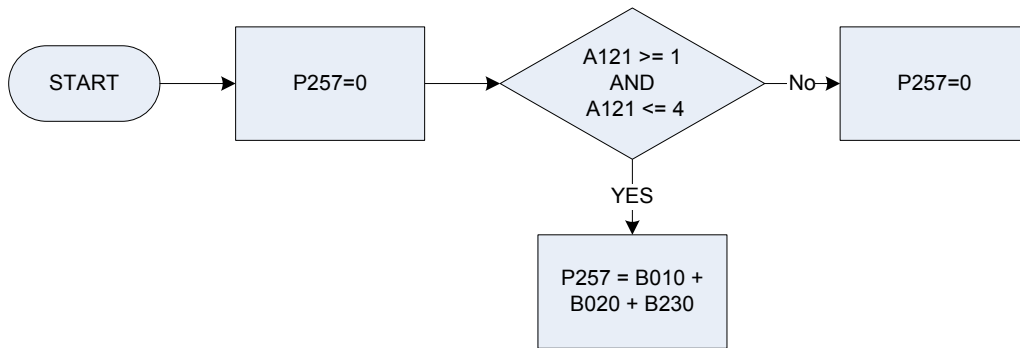
**P250 – Electricity – Electric key / slot meter / token / card payments less rebates**



**KEY**

**C45114** Expenditure code: Electricity slot meter payment  
**Dverb** Derived from ERbAmt to give a weekly amount – (ERbAmt - How much was the last rebate before any deductions for hire purchase or credit sale?)

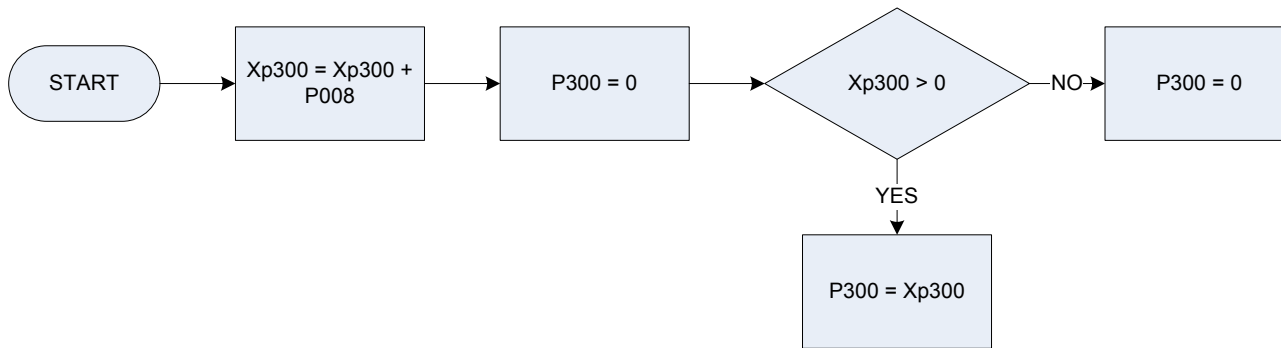
**P257 – Rent – gross (including rates if not paid separately)**



**KEY**

<b>A121</b>	Tenure type
<b>0</b>	<i>Not recorded</i>
<b>1</b>	<i>Local Authority (Furnished/Unfurnished)</i>
<b>2</b>	<i>Housing Association</i>
<b>3</b>	<i>Other Rented Unfurnished</i>
<b>4</b>	<i>Rented Furnished</i>
<b>5</b>	<i>Owned with Mortgage (i.e. in process of purchase)</i>
<b>6</b>	<i>Owned by Rental Purchase</i>
<b>7</b>	<i>Owned Outright</i>
<b>8</b>	<i>Rent Free</i>
<b>B010</b>	Rents/rates – last net payment
<b>B020</b>	Net rent – service charge deducted
<b>B230</b>	Rent rebate – amount received including non – sep rate rebate

**P300 - Normal gross wage / salary (main), household - 13 week rule**



**KEY**

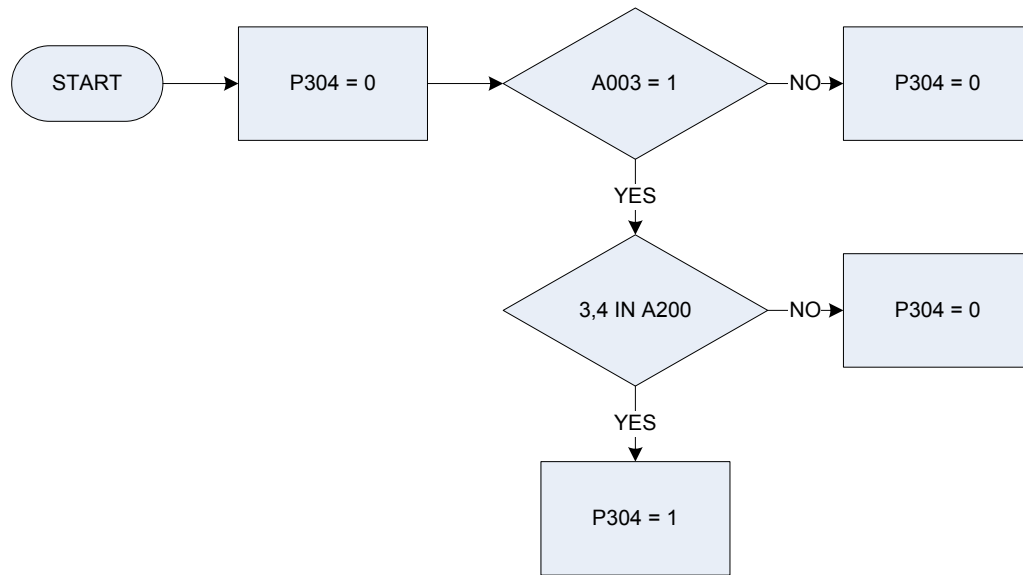
**P008**

Normal gross wage, salary (13 week rule) (person level)

**Xp300**

Temporary variable used in calculations - The sum of all normal gross wages/salaries (13 week rule) received by household members (P008)

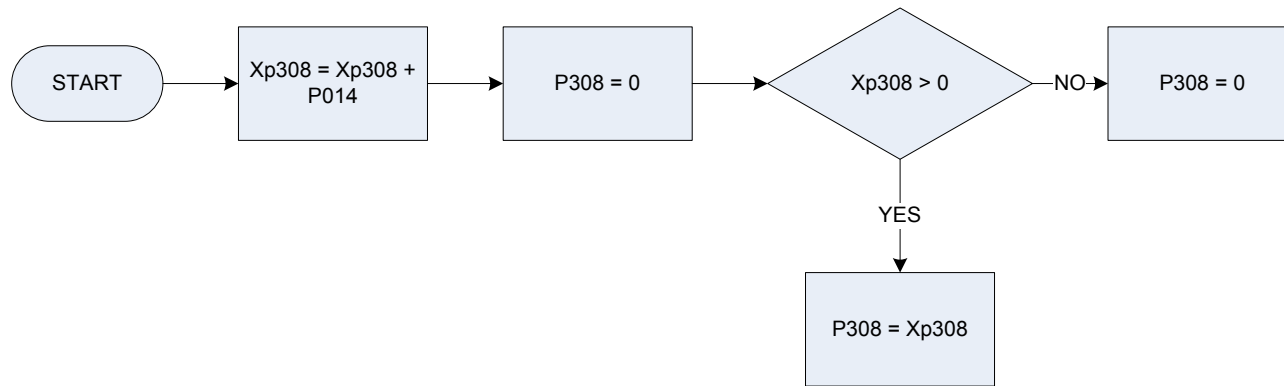
## P304 - Household Reference Person unemployed



### KEY

<b>A003</b>	Household Reference Person (HRP)
1	<i>HRP</i>
2	<i>Not HRP</i>
<b>A200</b>	Employment status
0	<i>Not recorded</i>
1	<i>Employee</i>
2	<i>Self-employed or employer</i>
3	<i>Out of employment, seeking work within last 4 weeks &amp; available to start a job</i>
4	<i>Out of employment, waiting to start a job already obtained</i>
5	<i>Sick or injured</i>
6	<i>Retired including Job Release Scheme</i>
7	<i>Unoccupied</i>
<b>P304</b>	Household Reference Person unemployed
0	<i>Not recorded</i>
1	<i>Unemployed</i>

## P308 - Gross wage / salary last week / month(subsd) - household



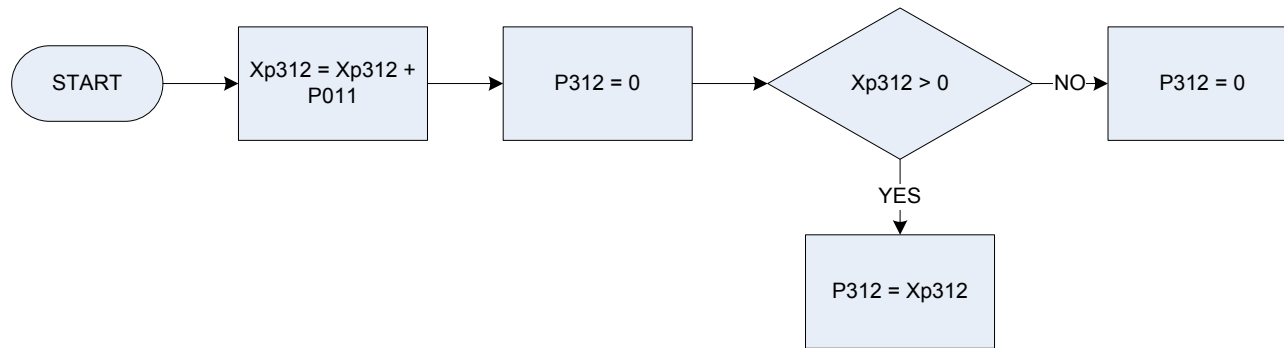
### KEY

**P014**  
**Xp308**

Gross wage, salary last week, month (subsidiary) (person level)

Temporary variable used in calculations - The sum of all gross wages / salaries from subsidiary jobs received last week / month by household members (P014)

## P312 - Gross wage / salary last time paid (subsidiary) - household



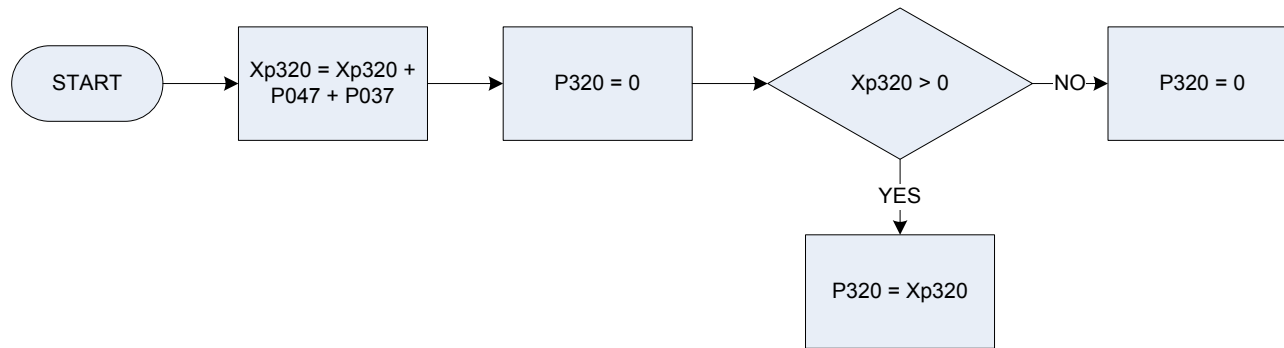
### KEY

**P011**  
**Xp312**

Gross wage - last time paid - (13 week rule subsidiary) (person level)

Temporary variable used in calculations - The sum of all gross wages / salaries from subsidiary jobs received by household members the last time they were paid (P011)

## P320 - Income from self-employment - household

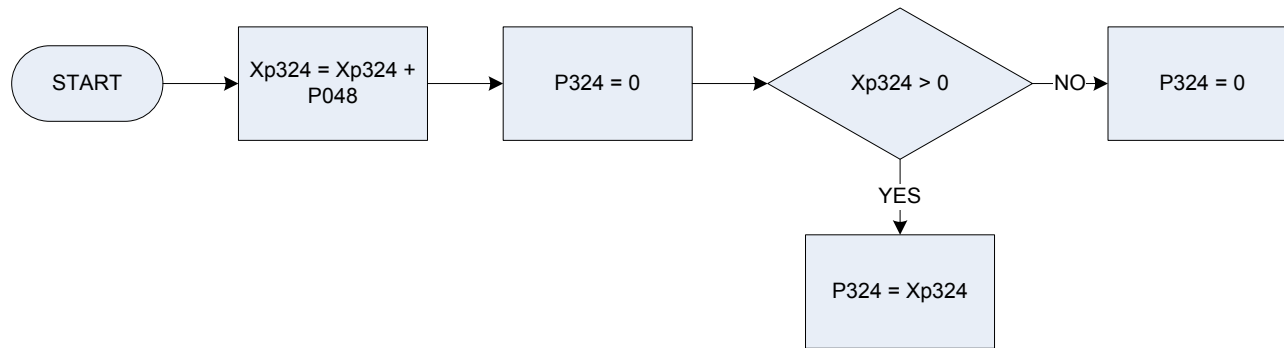


### KEY

<b>P037</b>	Income from subsidiary self-employment (person level)
<b>P047</b>	Income from self-employment (main) (person level)
<b>Xp320</b>	Temporary variable used in calculations - The sum of all Income from self-employment received by household members (P037, P047)



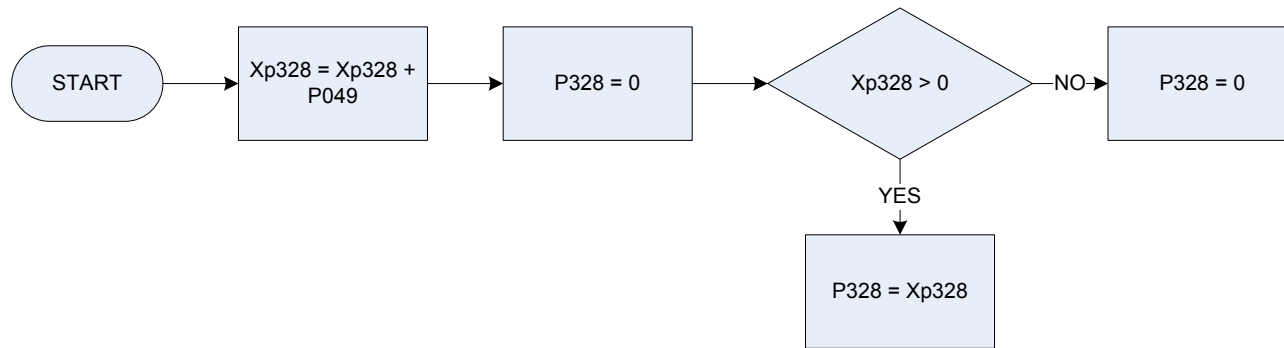
## P324 - Income from investments - household



### KEY

**P048** Income from investments (person level)  
**Xp324** Temporary variable used in calculations - The sum of all income from investments received by household members (P048)

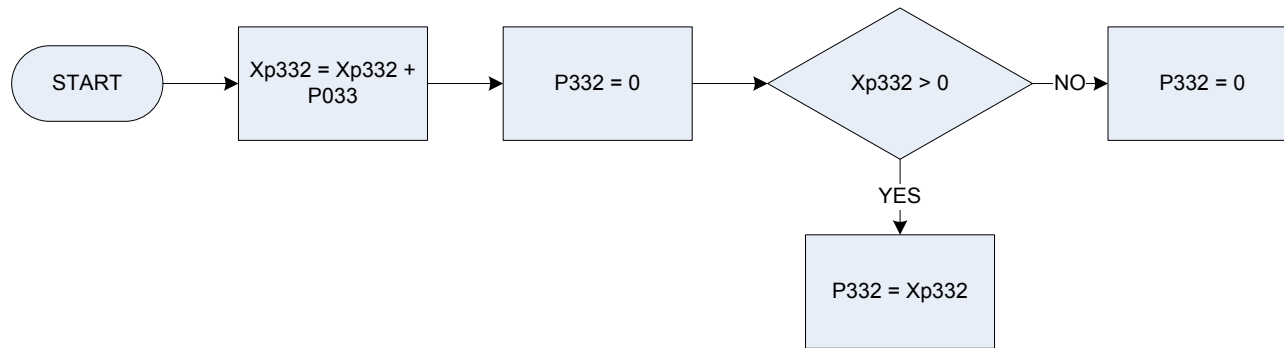
## P328 - Income from annuities, pensions - household



### KEY

**P049** Income from pensions, annuities (person level)  
**Xp328** Temporary variable used in calculations - The sum of all income from annuities, pensions received by household members (P049)

## P332 – Social security retirement / old age / widows pension - household



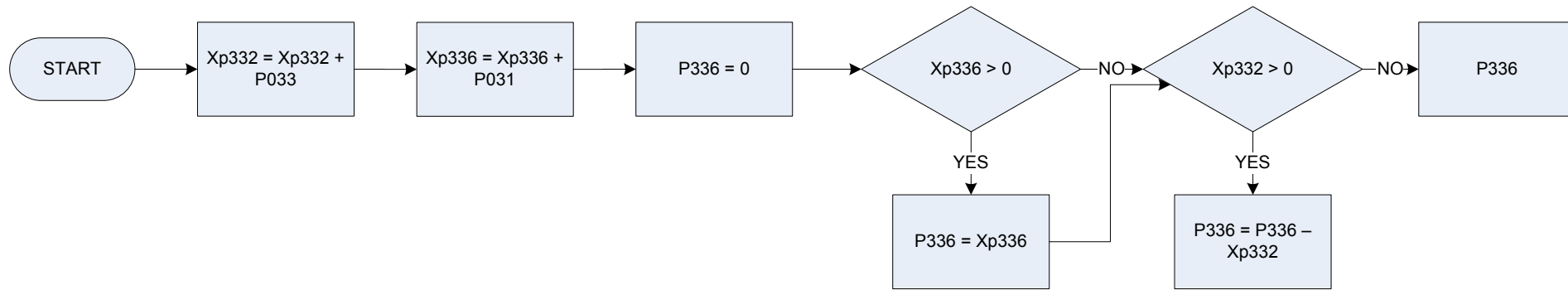
### KEY

**P033**  
**Xp332**

Social security retirement, old age, widows pensions (person level)

Temporary variable used in calculations - The sum of all income from social security retirement/ old age/ widows pensions received by household members (P033)

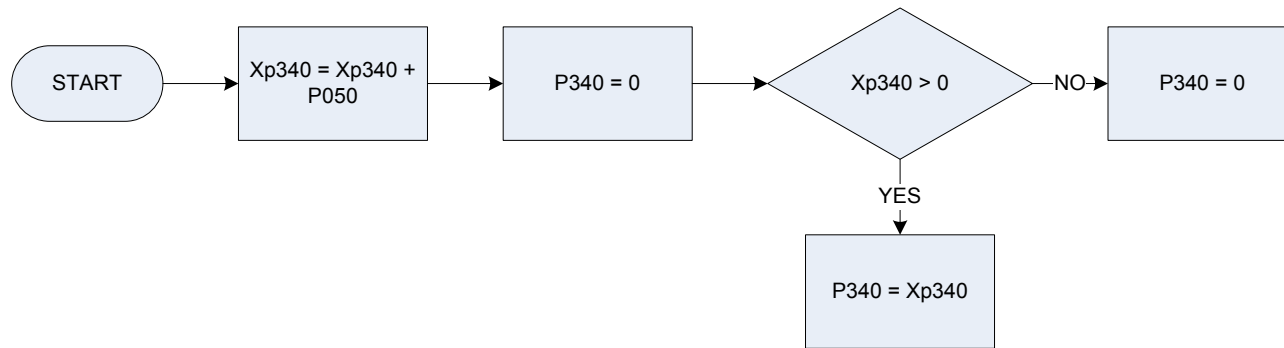
## P336 - Other social security benefits - household



### KEY

<b>Xp336</b>	Temporary variable used in calculations - The sum of all social security benefits included in income calculations received by household members (P031)
<b>Xp332</b>	Temporary variable used in calculations - The sum of all social security retirement / old age / widow pensions received by household members (P033)
<b>P031</b>	Social security benefits included in income calculations (person level)
<b>P033</b>	Social security retirement, old age, widows pensions (person level)

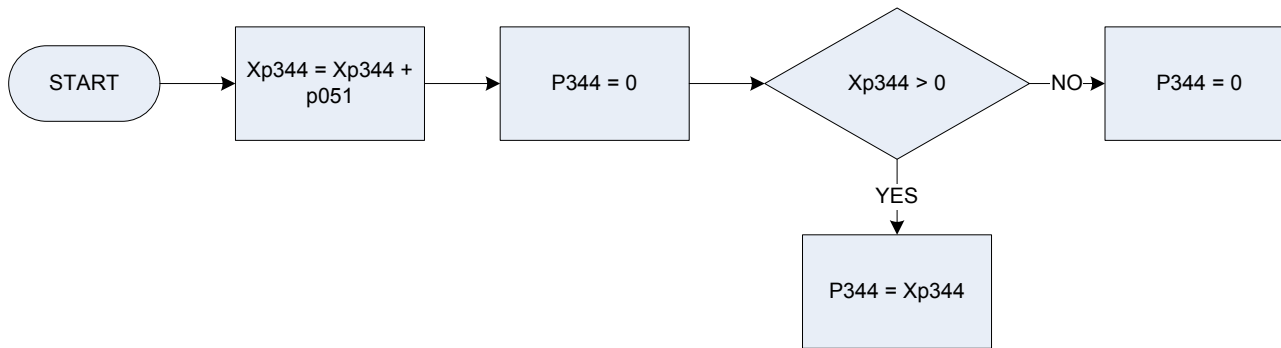
## P340 - Income from other sources - household



### KEY

**P050** Income from other sources (person level)  
**Xp340** Temporary variable used in calculations -The sum of all income from other sources received by household members (P050)

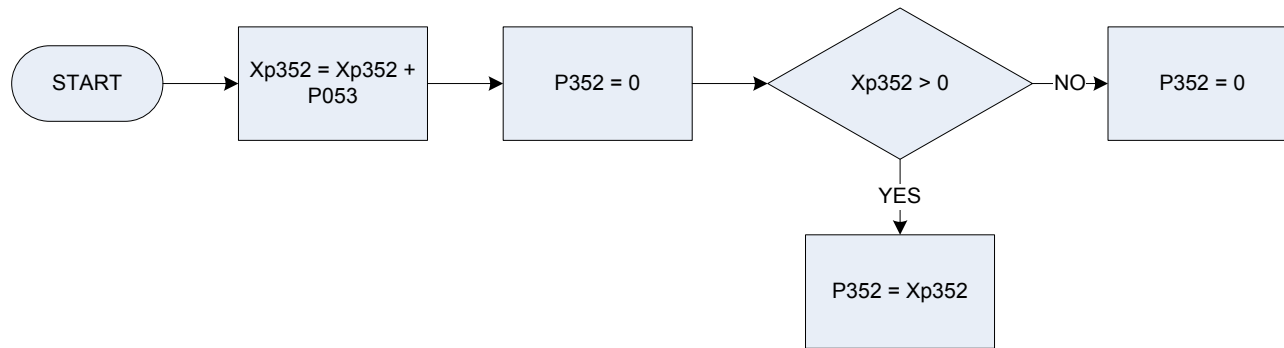
## P344 - Gross normal weekly household income



### KEY

**P051** Total personal gross income (normal) (person level)  
**Xp344** Temporary variable used in calculations - The sum of all total personal gross incomes (normal) for household members (P051)

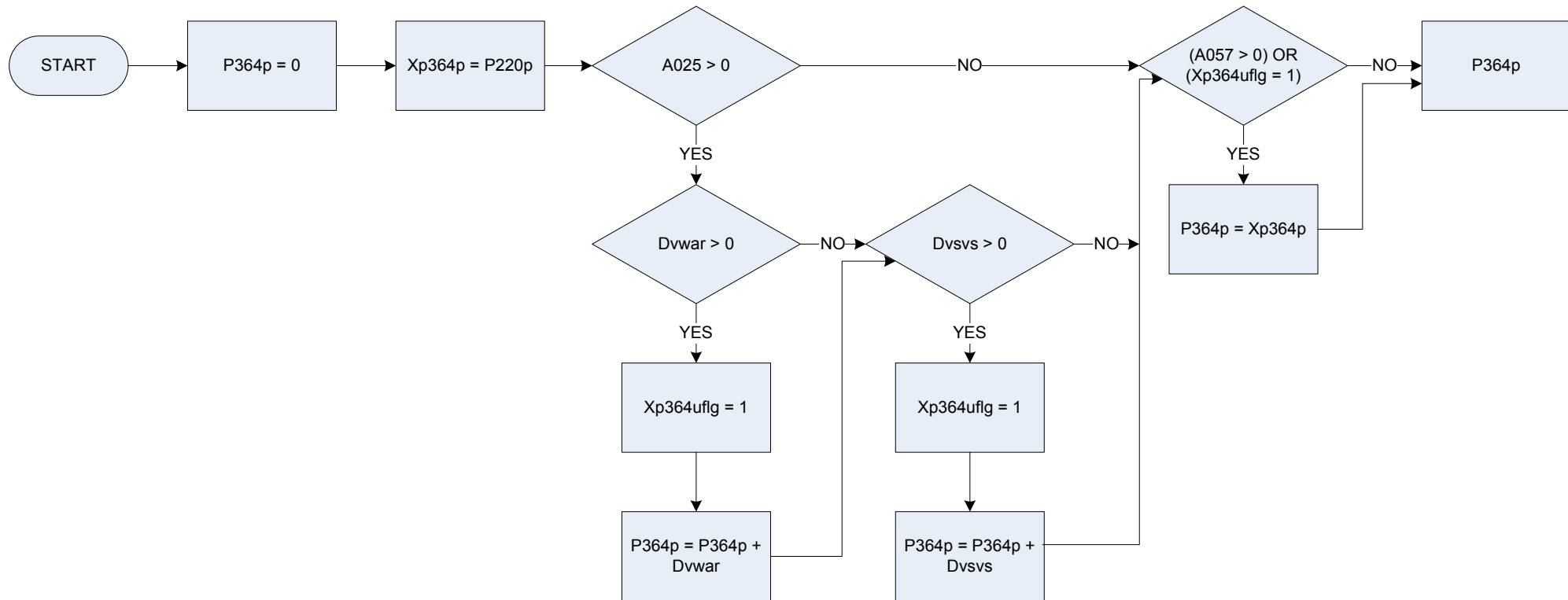
## P352 - Gross current income of household



### KEY

**P053** Total personal gross income (current) (person level)  
**Xp352** Temporary variable used in calculations - The sum of all personal gross incomes (current) received by household members (P053)

**P364p - Pensioner income (DE definition) – anonymised \***



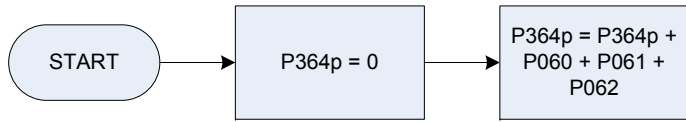
**KEY**

- A025** No of male adults – age 60 but under 65  
**A057** Men 65+ women 60+ economically active  
**DvWar** Derived from AMTBENX to give a weekly average for war disablement pension (AMTBENX- What was the amount of benefit last received?)  
**Dvsvs** Derived from AMTBENX to give a weekly average for severe disablement benefit (AMTBENX- What was the amount of benefit last received?)  
**P220p** Rent/rate/council tax rebate or allowance - anonymised  
**Xp364uflg** Temporary variable used in calculations - Receiving income dvwar/dvsvs?  
**XP364p** Temporary variable used in calculations - Rent | rate | council tax rebate or allowance

\*See also P364p - Pensioner income (DE definition) – anonymised - for partial cases



**P364p - Pensioner income (DE definition) – anonymised – for partial cases\***

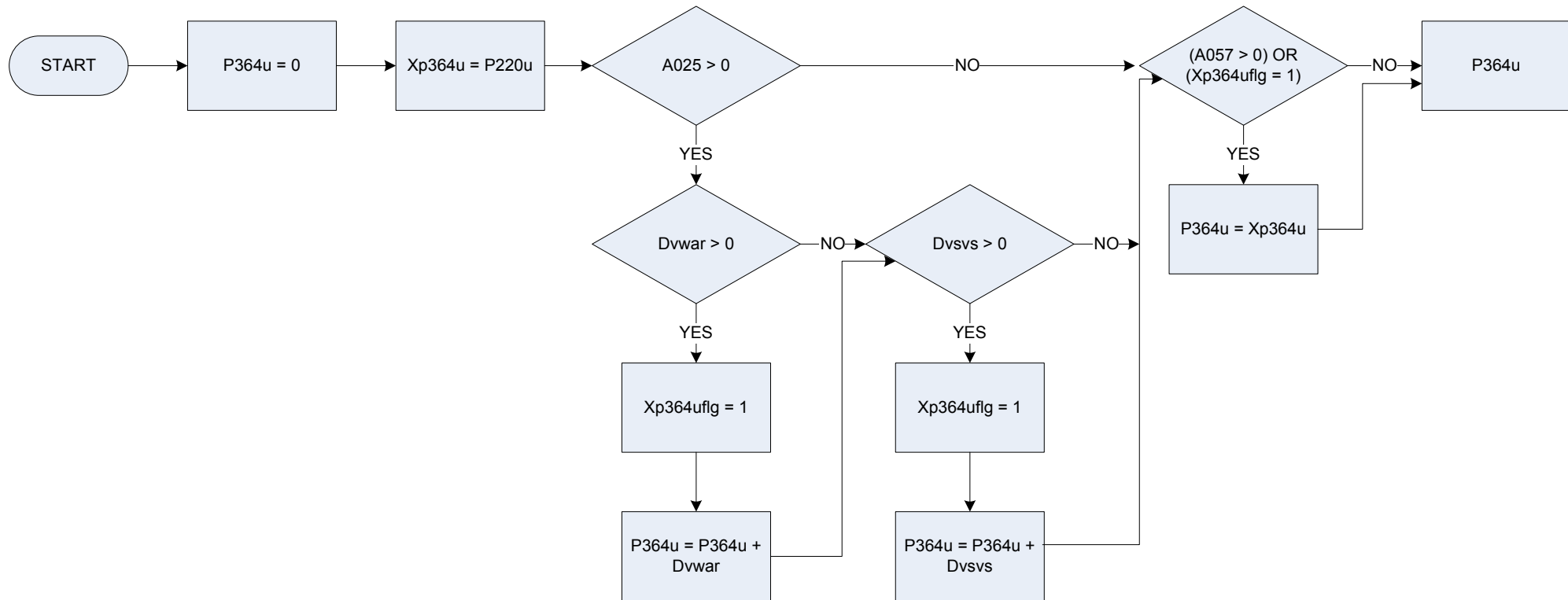


**KEY**

- P060** Pensioner income - male, age 60 – 64
- P061** Pensioner income-disregarding 13 week rule
- P062** Pensioner income male - applying 13 week rule

\*See also P364p - Pensioner income (DE definition) – anonymised

## P364u - Pensioner income (DE definition) – unanonymised \*

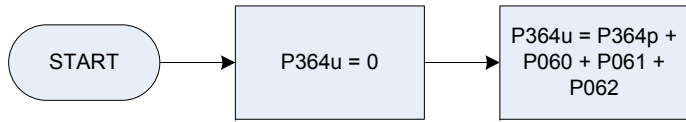


### KEY

<b>A025</b>	No of male adults – age 60 but under 65
<b>A057</b>	Men 65+ women 60+ economically active
<b>DvWar</b>	Derived from AMTBENX to give a weekly average for war disablement pension (AMTBENX- What was the amount of benefit last received?)
<b>Dvsvs</b>	Derived from AMTBENX to give a weekly average for severe disablement benefit (AMTBENX- What was the amount of benefit last received?)
<b>P220u</b>	Rent/rate/council tax rebate or allowance - unanonymised
<b>Xp364uflg</b>	Temporary variable - Receiving income dvwar/dvsvs?
<b>XP364u</b>	Temporary variable (P220u) - Rent   rate   council tax rebate or allowance

\*See also P364u - Pensioner income (DE definition) – unanonymised - for partial cases

**P364u - Pensioner income (DE definition) – unanonymised – for partial cases\***

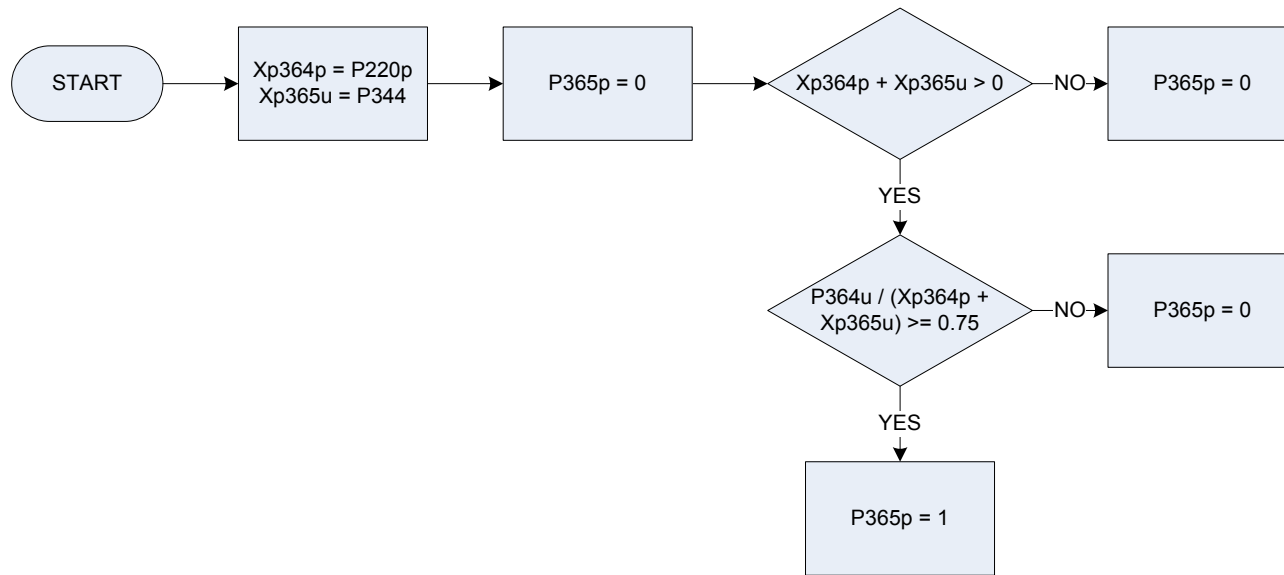


**KEY**

- P060** Pensioner income - male, age 60 – 64
- P061** Pensioner income-disregarding 13 week rule
- P062** Pensioner income male - applying 13 week rule

\*See also P364u - Pensioner income (DE definition) – unanonymised

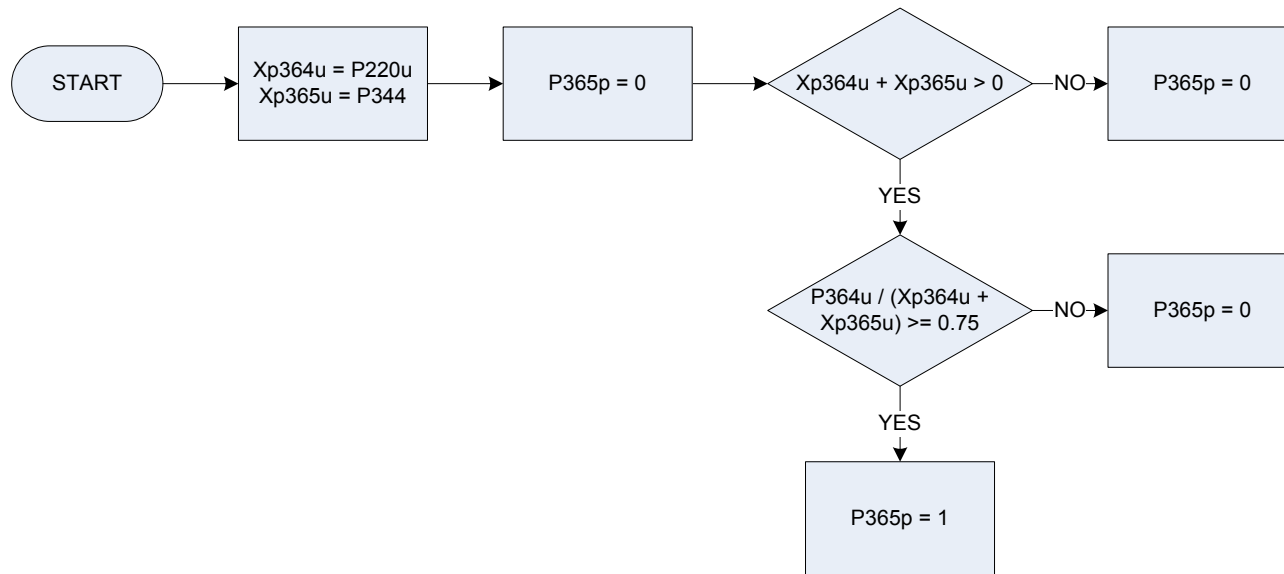
## P365p - Pensioner or non-pensioner household – anonymised



### KEY

<b>P365p</b>	Pensioner or non-pensioner household
0	No
1	Yes
<b>P364p</b>	Pensioner income (DE definition)
<b>P220p</b>	Rent   rate   council tax rebate or allowance
<b>P344</b>	Gross normal weekly household income
<b>Xp364p</b>	Temporary variable used in calculations - Pensioner income (DE definition) – anonymised
<b>Xp365u</b>	Temporary variable used in calculations - Pensioner or non-pensioner household - unanonymised

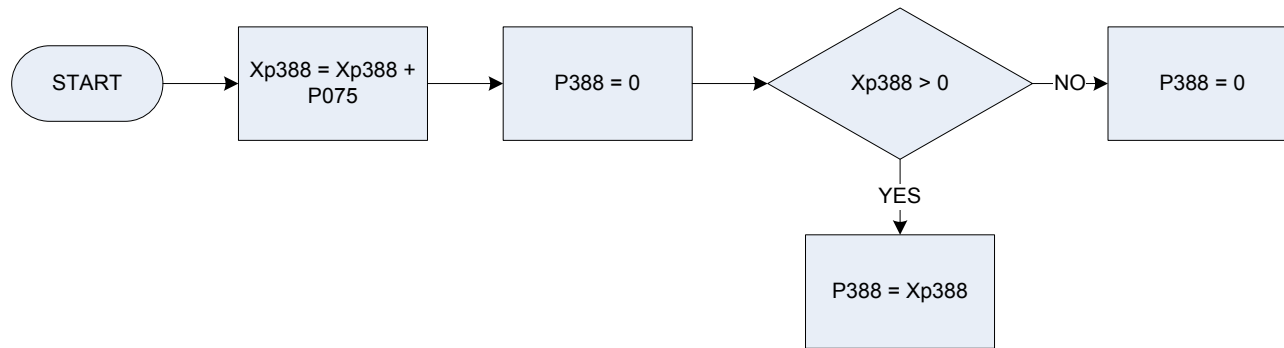
## P365u - Pensioner or non-pensioner household - unanonymised



### KEY

<b>P365u</b>	Pensioner or non-pensioner household
<b>0</b>	No
<b>1</b>	Yes
<b>P364u</b>	Pensioner income (DE definition)
<b>P220u</b>	Rent   rate   council tax rebate or allowance
<b>P344</b>	Gross normal weekly household income
<b>Xp364u</b>	Temporary variable used in calculations -Pensioner income (DE definition) – unanonymised
<b>Xp365u</b>	Temporary variable used in calculations -Pensioner or non-pensioner household - unanonymised

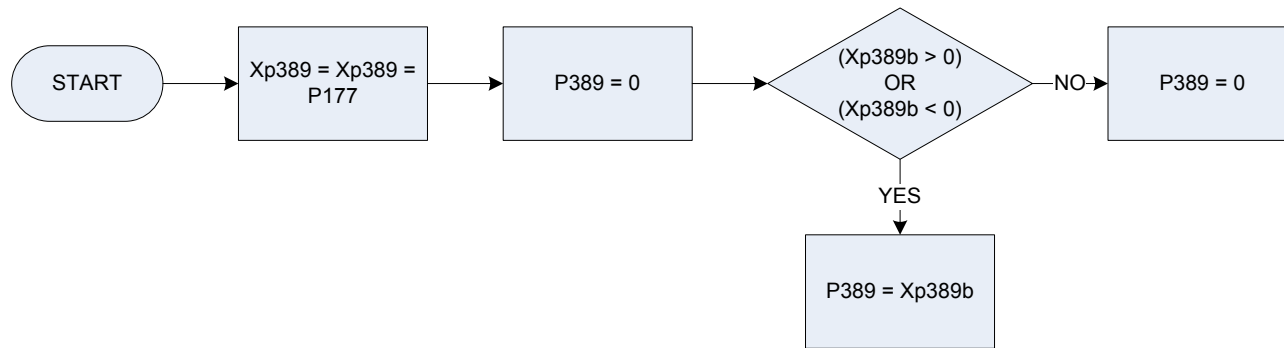
## P388 - NI employees contribution - current



### KEY

**P075** NI employees contribution (current) (person level)  
**Xp388** Temporary variable used in calculations - The sum of all NI employees contributions (current) made by household members (P075)

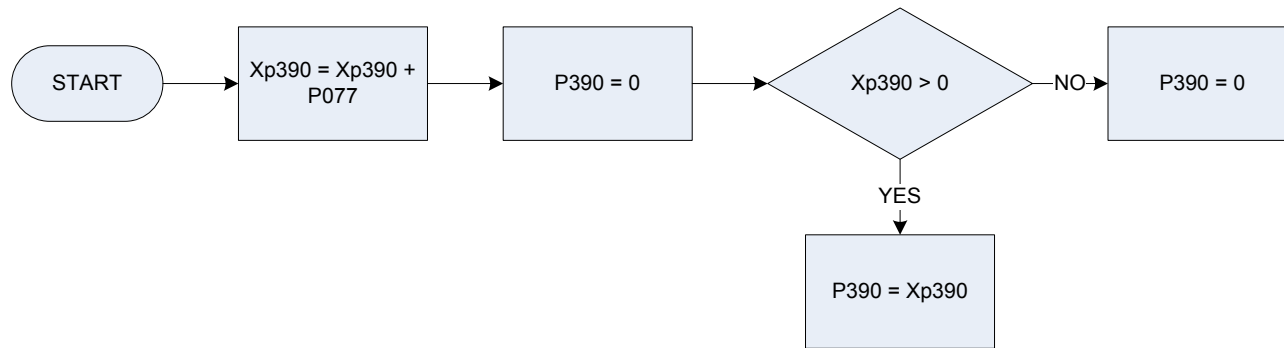
## P389 - Normal weekly disposable household income



### KEY

**P177** Personal gross income, less tax & National Insurance (person level)  
**Xp389b** Temporary variable used in calculations -The sum of all personal gross incomes, less tax and NI, received by household members (P177)

## P390 - Income tax paid by employees under PAYE

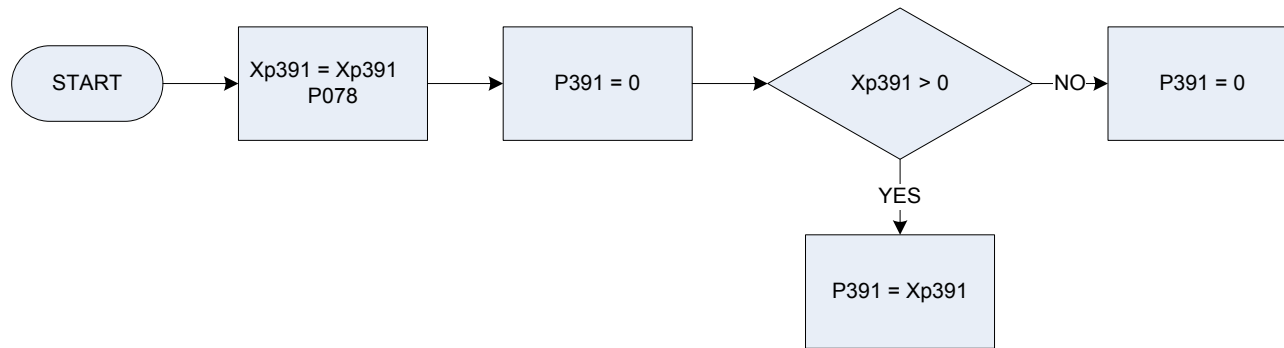


### KEY

**P077** Paye tax deduction - current (person level)  
**Xp390** Temporary variable used in calculations - The sum of all paye tax deductions made for household members (P077)



## P391 - Income tax refunds under PAYE

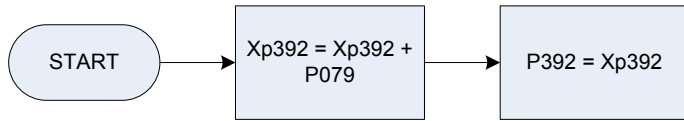


### KEY

**P078**  
**Xp391**

Paye tax refund - current (person level)  
Temporary variable used in calculations - The sum of all Paye tax refunds made to household members (P078)

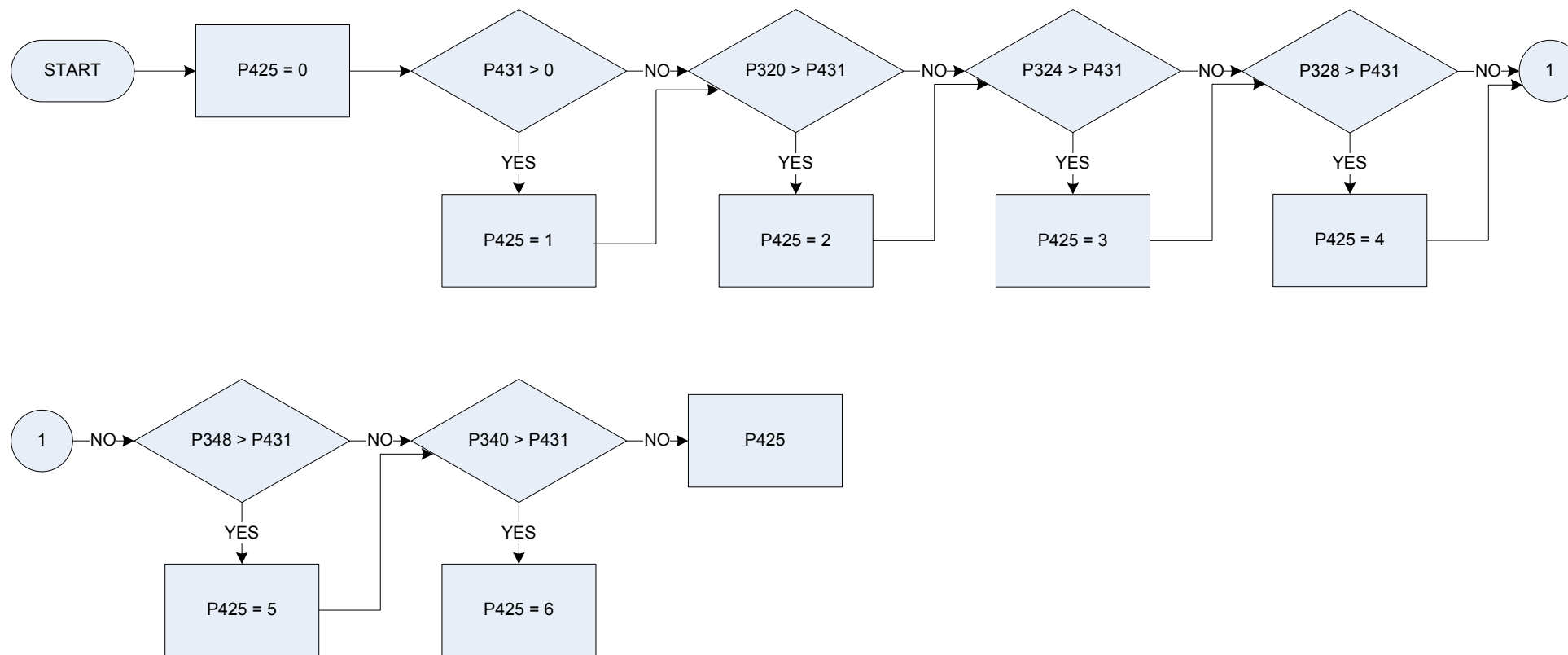
## P392 - Income tax, payments less refunds



### KEY

**P079** Income tax payments less refunds (person level)  
**Xp392** Temporary variable used in calculations - The sum of all income tax payments less refunds made by household members (P079)

## P425 - Main source of household income – code



### KEY

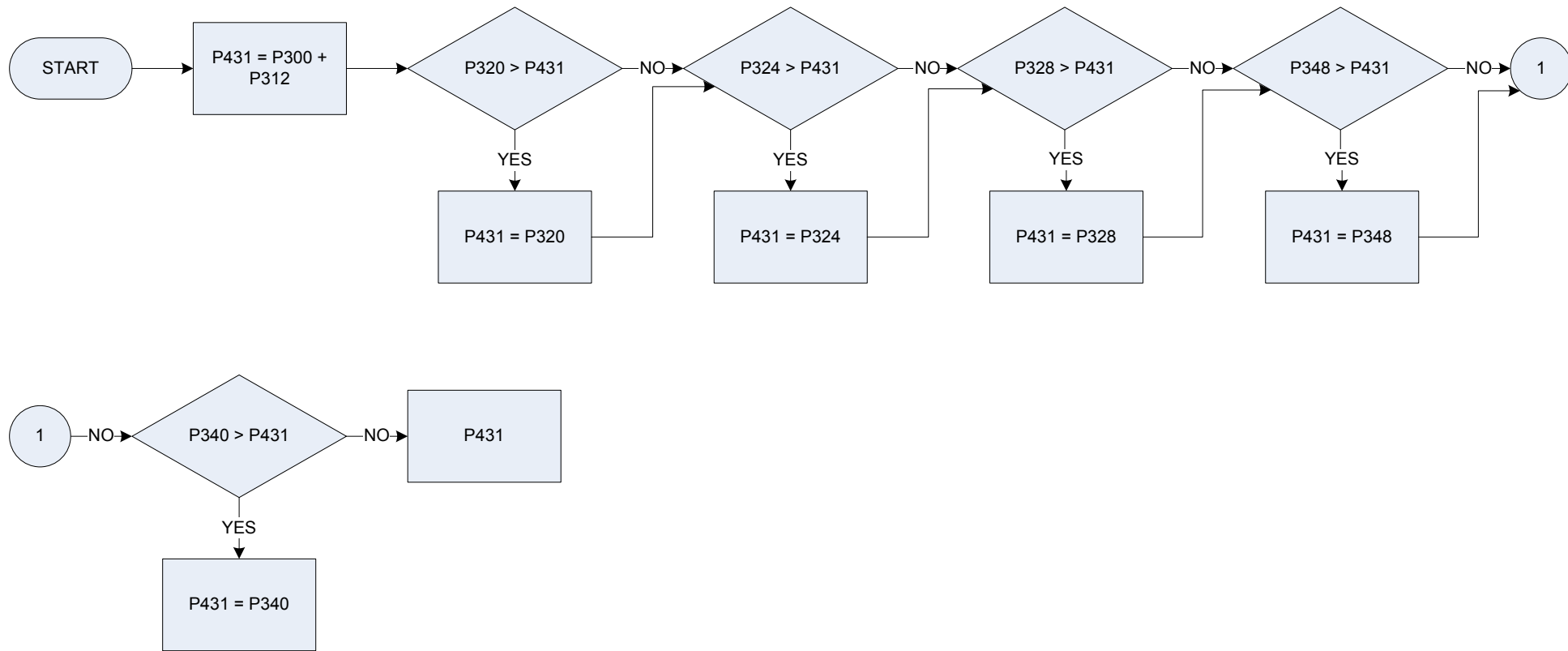
<b>P312</b>	Gross wage / salary last time paid (subsidiary) – household
<b>P320</b>	Income from self-employment – household
<b>P324</b>	Income from investments – household
<b>P328</b>	Income from annuities, pensions – household
<b>P348</b>	Social security benefits – household
<b>P340</b>	Income from other sources – household
<b>P431</b>	Main source of household income - value

### P425

### Main source of household income – code

<b>0</b>	Not recorded
<b>1</b>	Wages salaries
<b>2</b>	Self-employment inc.
<b>3</b>	Investment income
<b>4</b>	Annuities pensions
<b>5</b>	Social sec. benefits
<b>6</b>	Income-other sources

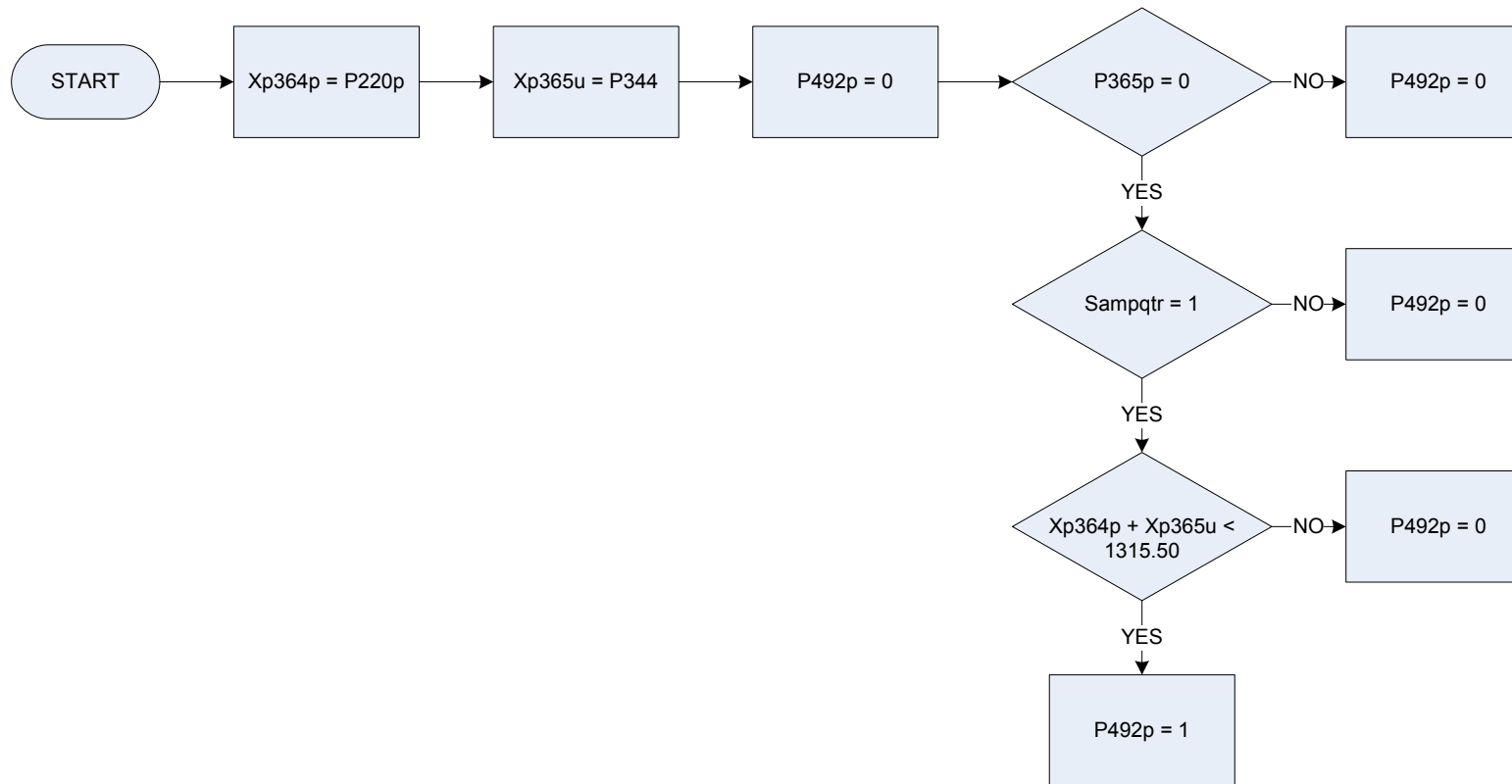
## P431 - Main source of household income - value



### KEY

<b>P300</b>	Normal gross wage / salary (main), household – 13 week rule
<b>P312</b>	Gross wage / salary last time paid (subsidiary) – household
<b>P320</b>	Income from self-employment – household
<b>P324</b>	Income from investments – household
<b>P328</b>	Income from annuities, pensions – household
<b>P348</b>	Social security benefits – household
<b>P340</b>	Income from other sources - household

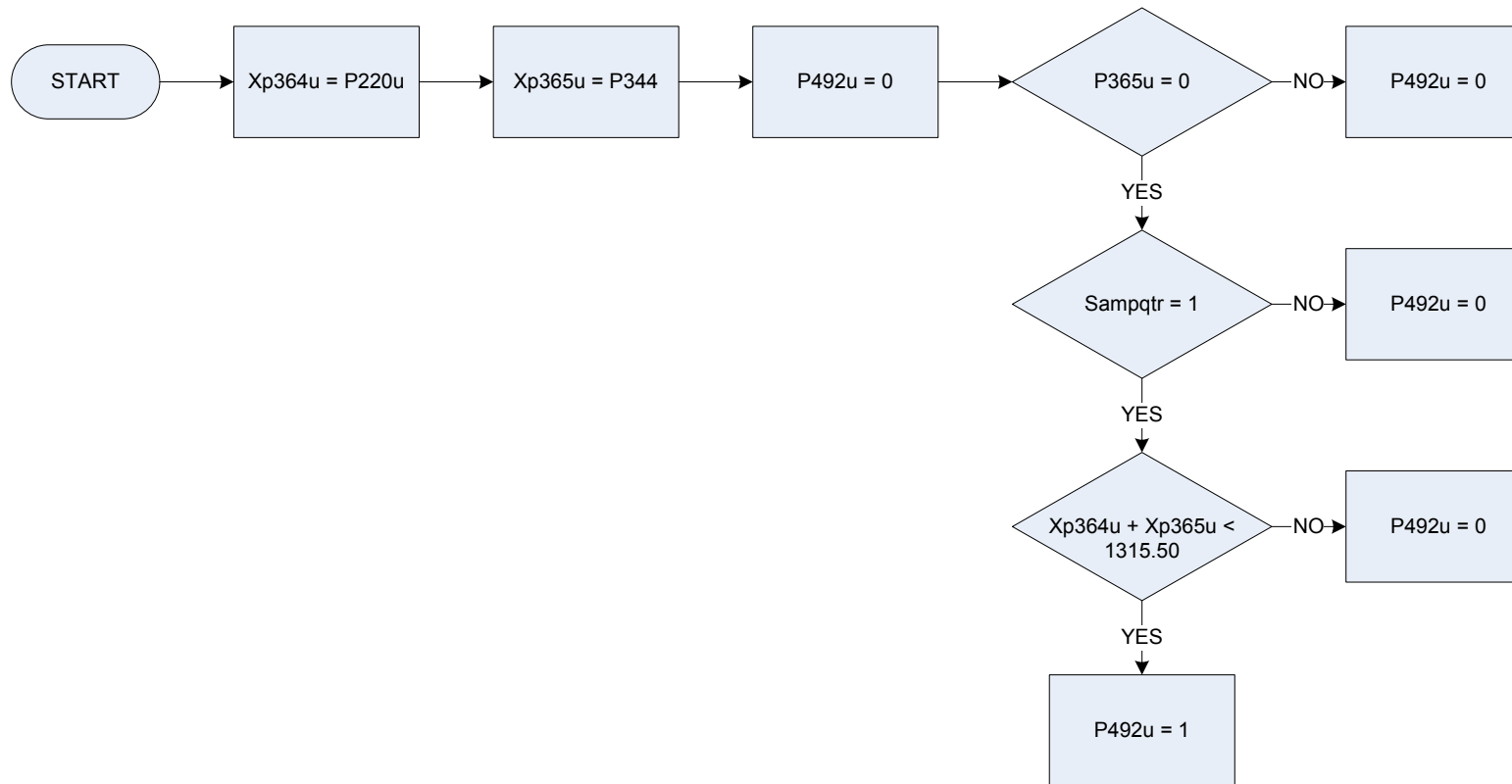
## P492p - Index household – anonymised



### KEY

<b>P220p</b>	Rent   rate   council tax rebate or allowance
<b>P344</b>	Gross normal weekly household income
<b>P365p</b>	Pensioner or non-pensioner household
<b>Xp364p</b>	Temporary variable used in calculations - Pensioner income (DE definition)
<b>Xp365u</b>	Temporary variable used in calculations - Pensioner or non-pensioner household
<b>Sampqtr</b>	Sample quarter

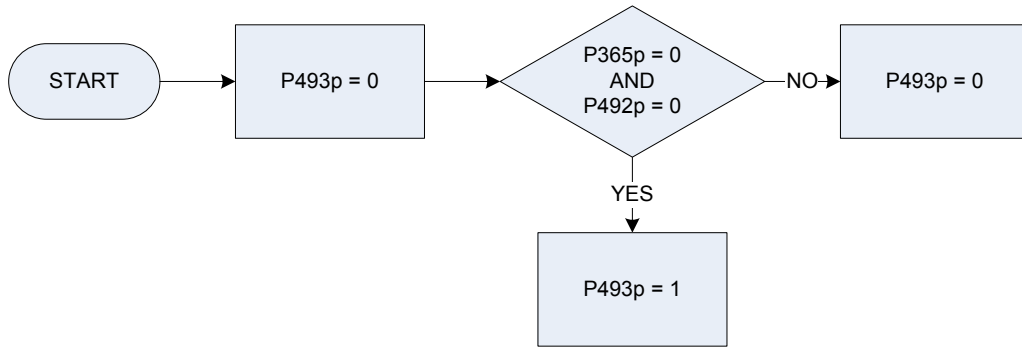
## P492u - Index household – unanonymised



### KEY

<b>P364u</b>	Pensioner income (DE definition)
<b>P220u</b>	Rent   rate   council tax rebate or allowance
<b>P365u</b>	Pensioner or non-pensioner household
<b>Xp364u</b>	Temporary variable used in calculations - Pensioner income (DE definition)
<b>Xp365u</b>	Temporary variable used in calculations - Pensioner or non-pensioner household
<b>Sampqtr</b>	Sample quarter

**P493p - Wealthy household – anonymised**

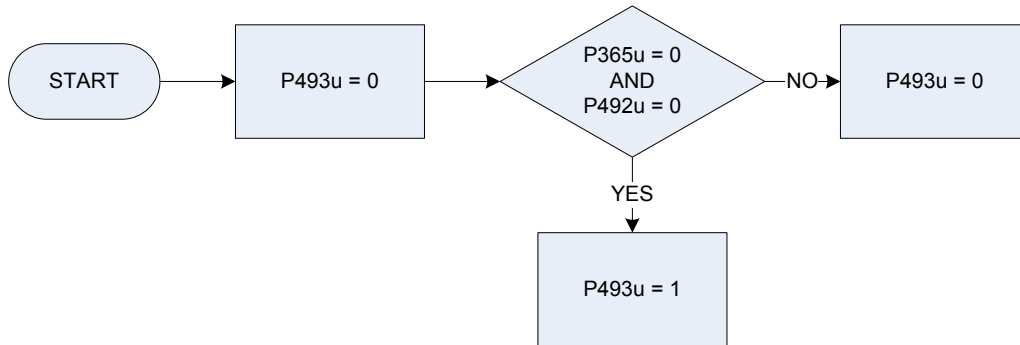


**KEY**

**P365p**  
**P492p**

Pensioner or non-pensioner household - anonymised  
Index household – anonymised

**P493u - Wealthy household – unanonymised**

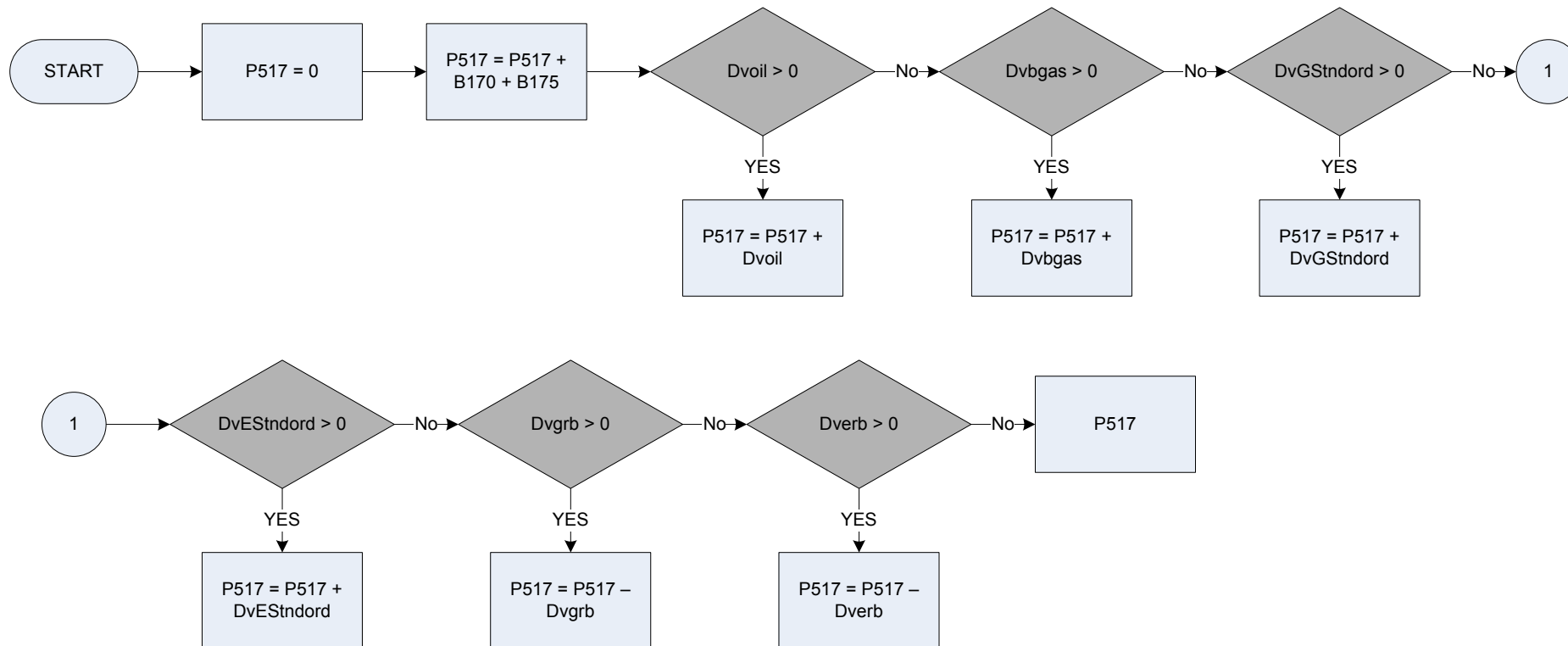


**KEY**

**P365u** Pensioner or non-pensioner household - unanonymised  
**P492u** Index household – unanonymised



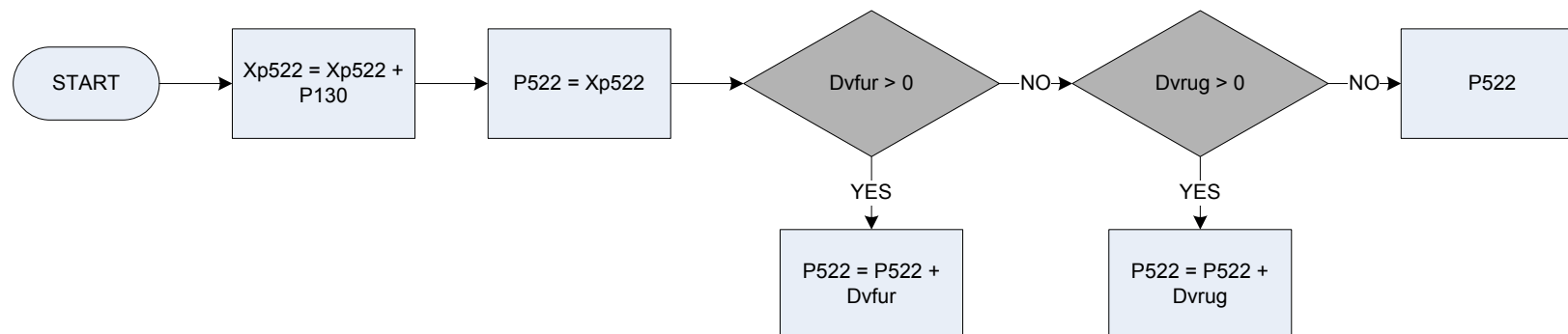
## P517 – Fuel, light & power



### KEY

<b>Dvoil</b>	Derived from OilAmt to give a weekly amount – (OilAmt - What was the total expenditure on oil in the last 3 months?)
<b>Dvbgas</b>	Derived from BGasAmt to give a weekly amount – (BGasAmt - What was the total expenditure on bottled gas in the last 3 months?)
<b>DvGStndord</b>	Derived from GStndordAmt to give a weekly amount – (GStndordAmt - Gas: How much was the respondent's last standing order payment?)
<b>DvEStndord</b>	Derived from EStndordAmt to give a weekly amount – (EStndordAmt - Electricity: How much was the respondent's last standing order payment?)
<b>Dvgrb</b>	Derived from GRbtAmt to give a weekly amount – (GRbtAmt - Gas: How much was the last rebate before any deductions for hire purchase or credit sale?)
<b>Dverb</b>	Derived from ERbtAmt to give a weekly amount – (ERbtAmt - Electricity: How much was the last rebate before any deductions for hire purchase or credit sale?)

## P522 – Household goods

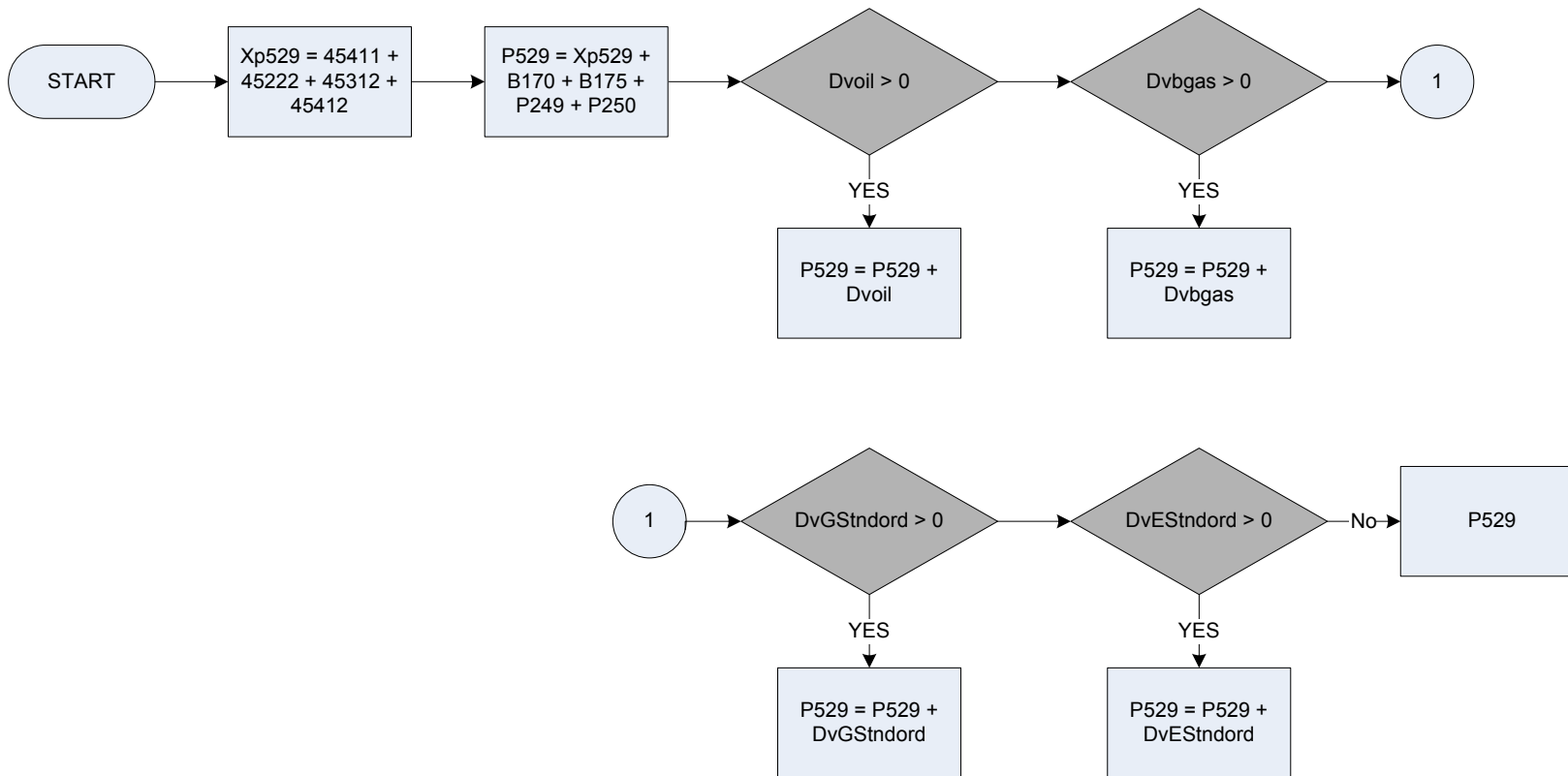


### KEY

**DvFur**  
**DvRug**  
**P130**  
**Xp522**

Derived from FurnAmt to give a weekly amount – (*FurnAmt* - In the last 3 months, what is the total the respondent paid for furniture, excluding any interest paid on loans?)  
Derived from RugAmt to give a weekly amount – (*FurnAmt* - In the last 3 months, what is the total the respondent paid for carpets excluding any interest paid on loans?)  
Household goods (RPI) - personal expenditure (Person level)  
Temporary variable used in calculations – The sum of all personal expenditure on household goods by household members (P130)

## P529 – Fuel, light and power (National Accounts)



### KEY

<b>B170</b>	Gas – amount paid in last account
<b>B175</b>	Electricity – amount paid in last account
<b>P249</b>	Gas – slot meter payments less rebates
<b>P250</b>	Electricity – slot meter payments less rebates
<b>Xp529</b>	Temporary variable used in calculations -The sum of all expenditure on coal and coke, bottled gas - other, paraffin and wood and peat (45411,45222,45312,45412)
<b>Dvoil</b>	Derived from OilAmt to give a weekly amount – (OilAmt - What was the total expenditure on oil in the last 3 months?)
<b>Dvbgas</b>	Derived from BGasAmt to give a weekly amount – (OilAmt - What was the total expenditure on bottled gas in the last 3 months?)
<b>DvGStndord</b>	Derived from GStndordAmt to give a weekly amount – (GStndordAmt - How much did the respondent pay last time?)
<b>DvEStndord</b>	Derived from EStndordAmt to give a weekly amount – (EStndordAmt - How much was the respondent's last standing order payment?)
<b>45411</b>	Expenditure code: Coal and coke
<b>45222</b>	Expenditure code: Bottled gas - other
<b>45312</b>	Expenditure code: Paraffin
<b>45412</b>	Expenditure code: Wood and peat

---

# Section Four:

## Flowcharts – Loan transactions

---

## Set 86 - Loan Transactions

**Ioanno - Loan Number**

**Itemnum - Item number**

**A100 - Instalment credit / loan - type**

**b239L - Instalment credit / loan - cash price**

**b241L - Loan - part exchange (last 3 mnths only)**

**b242L - Loan - wev deposit (last 3 mnths only)**

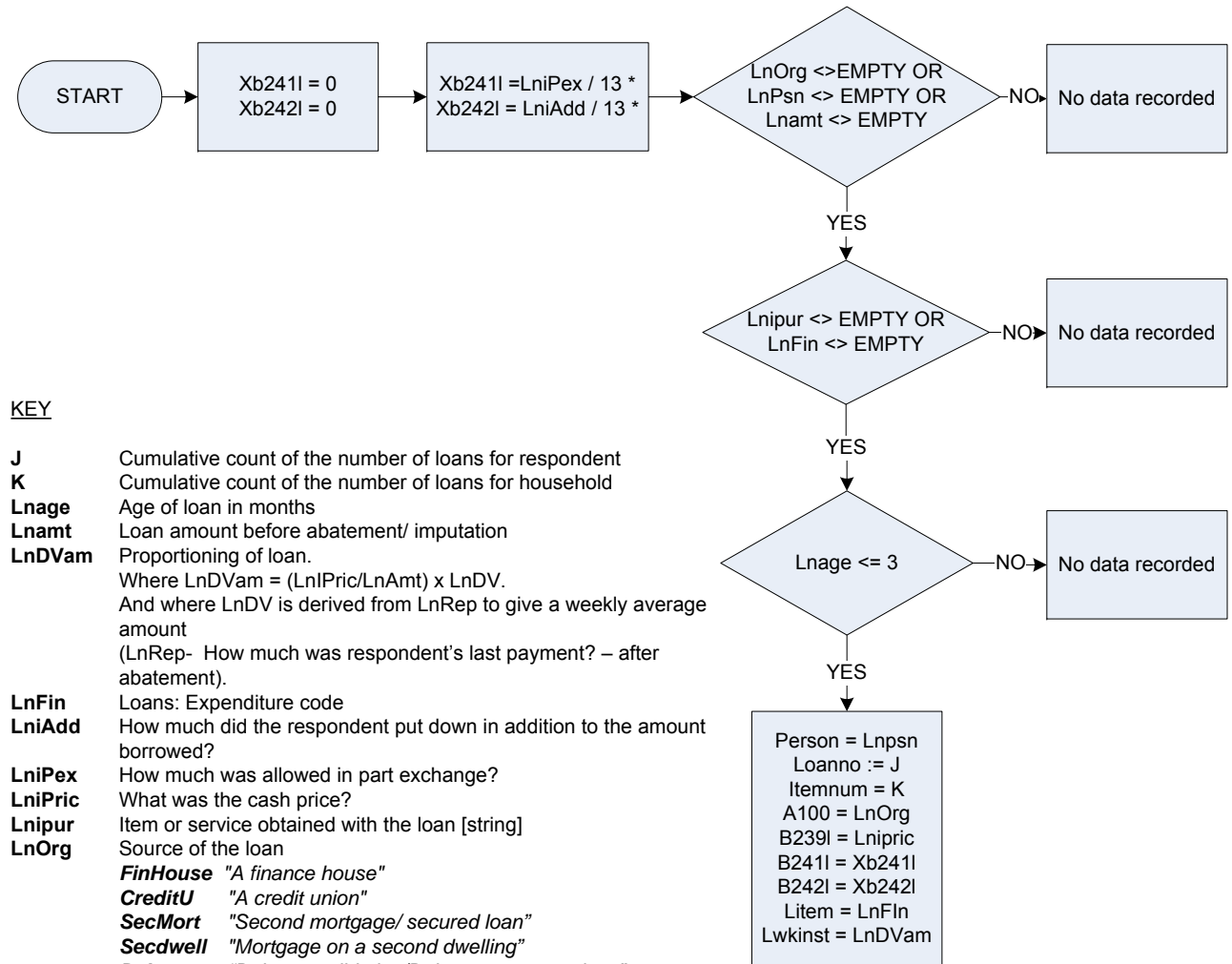
**Litem - Expenditure Code for item acquired**

**Lwkinst - Instalment credit / loan - type**

### Further notes on Set 86

Set 86 is an item level DV dataset, one line of data is created for each loan. Therefore:

- If more than one member of the household has indicated they have a loan, then separate records are made for the each person.
- If a member of the household has indicated they have more than one loan, then separate records are made for each loan.
- If no loans are currently held by any members of the household then no records are made.



### KEY

**J** Cumulative count of the number of loans for respondent  
**K** Cumulative count of the number of loans for household  
**Lnage** Age of loan in months  
**Lnamt** Loan amount before abatement/ imputation  
**LnDVam** Proportioning of loan.  
 Where  $LnDVam = (LnIPric/LnAmt) \times LnDV$ .  
 And where  $LnDV$  is derived from  $LnRep$  to give a weekly average amount  
 ( $LnRep$  - How much was respondent's last payment? – after abatement).  
**LnFin** Loans: Expenditure code  
**LniAdd** How much did the respondent put down in addition to the amount borrowed?  
**LniPex** How much was allowed in part exchange?  
**LnIPric** What was the cash price?  
**Lnipur** Item or service obtained with the loan [string]  
**LnOrg** Source of the loan

**FinHouse** "A finance house"  
**CreditU** "A credit union"  
**SecMort** "Second mortgage/ secured loan"  
**Secdwell** "Mortgage on a second dwelling"  
**Debtcon** "Debt consolidation/Debt management loan"  
**PersBank** "A bank for a personal loan"  
**PersBuild** "A building society for a personal loan"  
**Super** "Supermarket/High street for a personal loan"  
**Inter** "Internet provider for a personal loan"  
**Employer** "Employer as repayment of a loan"  
**DWP** "Social Fund"  
**Student** "Repayment of a student loan"

**Lnpsn** Who makes the payments?  
**Person** Person Number  
**Xb241l** Temporary variable used in calculations - How much was allowed in part exchange? \*  
**Xb242l** Temporary variable used in calculations - How much did the respondent put down in addition to the amount borrowed? \*

\* Figures are divided by 13 because there are 13 weeks in a 3 month period

---

# Section Five:

## Flowcharts - Hire purchase transactions

---

## Set 88 – Hire purchase (HP) transactions

hpagqual - HP agree before/after first instalment paid

hpagrno - HP - item number \*

b239h - HP - cash price

b241h - HP - part exchange (last 3 months only)

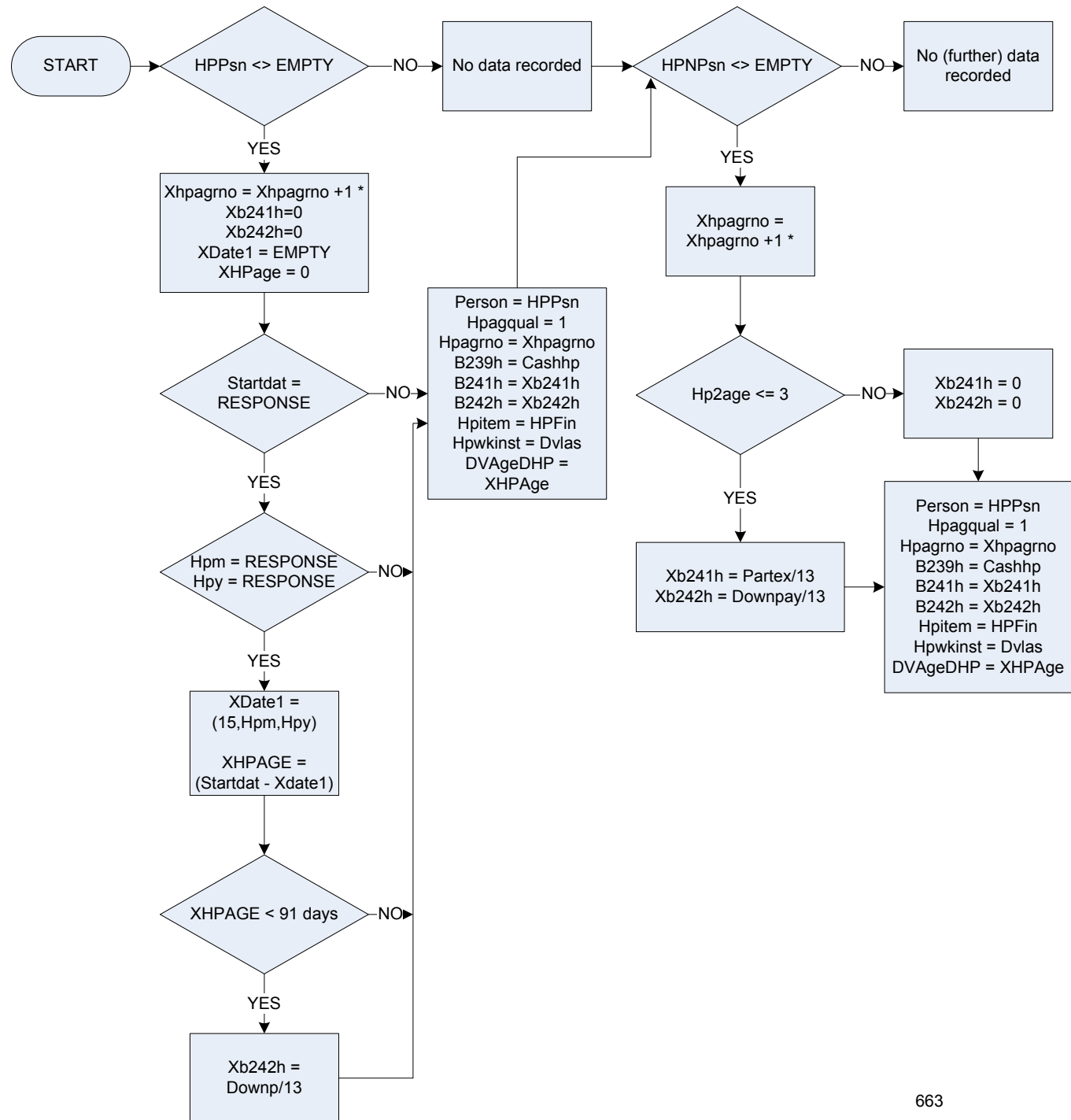
b241h - HP - part exchange (last 3 months only)

b242h - HP - wev deposit paid (last 3 mths only)

\*If more than one member of the household has a HP agreement then these are added to the total for hpagrno.

### KEY

<b>Cashhp</b>	What was the cash price?
<b>Downpay</b>	How much was the down payment?
<b>Dvlas</b>	Derived from Lpay to give a weekly average (Lpay- How much was the last instalment? )
<b>Hp2age</b>	How long ago the item was obtained (in months)
<b>HP2Fin</b>	Expenditure code for item obtained
<b>HPFin</b>	Expenditure code for item obtained
<b>Hpm</b>	When did you obtain the item or service? (month) <i>1-12 January-December</i>
<b>HPPPrice</b>	What was the cash price?
<b>HpPsn</b>	Who entered this agreement?
<b>Hpy</b>	When did you obtain the item or service? (year)
<b>Partex</b>	How much was allowed in part exchange?
<b>Startdat</b>	Date interview with this household was started
<b>Xb241h</b>	Temporary variable used in calculations - HP part exchange (last 3 months only)
<b>Xb242h</b>	Temporary variable used in calculations - wev deposit paid (last 3 months only)
<b>Xdate1</b>	Temporary variable used in calculations – date that loan was taken out
<b>XHPAGE</b>	Temporary variable used in calculations – Number of days since loan was taken out (Startdat - XHPAGE)
<b>Xhpagrno</b>	Temporary variable – HP agree before   after first instalment paid



---

# Section Six:

Product codes - Person level

---



Variable	Label		
P116	Housing - personal expenditure.	E55212; E51112; E55211; E43111; E43112; E56125; EK1315.	Door, electrical and other fittings eg hook, socket; Purchase of materials for capital improvements eg bricks, slates, etc.
P116c	Housing - personal expenditure	E55212; E55211; E43111; E43112; E56125; EK1315; E43212.	Door, electrical and other fittings eg hook, socket; Small tools eg hammer, spanner, saw; Paint, wallpaper, timber, plaster; Equipment hire, small materials incl putty, sandpaper, sealant; Nails, nuts, bolts, washers, masking tape, glue etc; Purchase of materials for capital improvements eg bricks, slates, etc; Other services eg decorating, plumbing, roof repair.
P117	Fuel etc - personal expenditure.	E45214; E45114; E45411; E45222; E45312; E45112; E45412; E45212; E45511.	Gas slot meter payment; Wood and Peat incl firewood, logs; Second dwelling gas account payments; Hot water, steam and ice.
P117c	Fuel etc - personal expenditure.	E45214; E45114; E45411; E45222; E45312; E45412; E45511.	Gas slot meter payment; Electricity slot meter payment; Coal and coke incl barbecue fuel, briquettes; Other bottled gas (eg propane, calor, camping); Paraffin and other liquid fuels; Wood and Peat incl firewood, logs; Hot water, steam and ice.
P118	Food - personal expenditure		Due to the large number of codes P118 contains, it has been documented separately and can be found at the end of this Section Six.
P118c	Food - personal expenditure		Due to the large number of codes P118c contains, it has been documented separately and can be found at the end of this Section Six.

P119	Alcoholic drink - personal expenditure.	E14111; E14112; E14113; E14211; E14213; E14214; E14215; E14212; E14311; E14312; EP3111; EP3112; EP3113; EP3114; EP3211; EP3213; EP3214; EP3215; EP3216; EP3212; EP3311; EP3312; EP3313; EP3314; EP3411.	Spirits eg gin, vodka, whiskey; Alcopops, alcoholic soft drinks eg Bacardi Breezer, Smirnoff Ice, Hooch; Champagne & sparkling wines; wine with mixer eg Bucks Fizz; Beers incl pale ale, stout, Guinness; Lagers & continental beers; Spirits ; Liqueur ; Cocktail ; Spirits/ liqueurs with mixer eg gin & tonic bacardi & coke ; Wines not sparkling incl wine not specified ; Fortified wine eg sherry port vermouth ; Cider or Perry half pint/ bottle ; Cider pint/ can/ size not specified ; Alcoholic soft drinks alcopop and ready-mixed bottled drinks ; Sparkling wines eg Champagne; Wine with mixer eg Bucks Fizz ; Bitter - half pint/ bottle ; Bitter - pint/ can / size not specified ; Lager/ other beers/ 'beer' nor specified - half pint/ bottle ; Lager/ other beers/ 'beer' nor specified - pint/ can/ size not specified ; Round of drinks alcohol not specified.
P119c	Alcoholic drink - personal expenditure.	E14111; E14112; E14113; E14211; E14213; E14214; E14215; E14212; E14311; E14312; EP3111; EP3112; EP3113; EP3114; EP3211; EP3213; EP3214; EP3215; EP3216; EP3212; EP3311; EP3312; EP3313; EP3314; EP3411.	Spirits eg gin, vodka, whiskey; Liguers & cocktails eg Baileys, Daiquiri; Spirits with mixer eg ready-to-drink gin & tonic; Table wine incl wine not specified; Fortified wine - port, sherry, vermouth, Cinzano, Martini; Ciders and Perry incl Babycham; Alcopops, alcoholic soft drinks eg Bacardi Breezer, Smirnoff Ice, Hooch; Champagne & sparkling wines; wine with mixer eg Bucks Fizz; Beers incl pale ale, stout, Guinness; Lagers & continental beers; Spirits ; Liqueur ; Cocktail ; Spirits/ liqueurs with mixer eg gin & tonic bacardi & coke ; Wines not sparkling incl wine not specified ; Fortified wine eg sherry port vermouth ; Cider or Perry half pint/ bottle ; Cider pint/ can/ size not specified ; Alcoholic soft drinks alcopop and ready-mixed bottled drinks ; Sparkling wines eg Champagne; Wine with mixer eg Bucks Fizz ; Bitter - half pint/ bottle ; Bitter - pint/ can / size not specified ; Lager/ other beers/ 'beer' nor specified - half pint/ bottle ; Lager/ other beers/ 'beer' nor specified - pint/ can/ size not specified ; Round of drinks alcohol not specified.
P120	Tobacco - personal expenditure.	E21111; E21121; E21131; E22111.	Cigarettes & cigarette papers.
P120c	Tobacco - personal expenditure.	E21111; E21121; E21131; E22111.	Cigarettes & cigarette papers; Cigars & snuff; Other tobacco eg pipe tobacco, hand-rolled, chewing; Narcotics & drugs.

P121	Clothing, footwear - personal expenditure.	E31211; E31221; E31231; E31232; E31233; E31212; E31222; E31234; E31311; E31312; E31313; E32111; E32121; E32131; E31314; E56124; E31111; E31411.	Mens outerwear eg coat, shirt, trousers, jumper; Womens underwear incl socks, tights, pyjamas, lingerie; Childrens underwear (15 yrs or under) eg sleep suit; Mens accessories eg tie, gloves, belt; Womens accessories eg gloves, scarf; Childrens (15yrs or under) accessories eg bib, gloves, hat; Footwear for men incl trainers, slippers, insoles; Footwear for women incl trainers, slippers, insoles; Footwear for children incl baby boots, wellingtons; Haberdashery eg buttons, thread, wool; Haberdashery eg pins, needles, tape measure; Clothing materials; Clothing hire eg hire of dinner jacket, fancy dress.
P121c	Clothing, footwear - personal expenditure.	E31211; E31221; E31231; E31232; E31233; E31212; E31222; E31234; E31311; E31312; E31313; E32111; E32121; E32131; E31314; E56124; E31111; E31411.	Mens outerwear eg coat, shirt, trousers, jumper; Womens outerwear eg coat, blouse, skirt, leggings; Boys outerwear (aged 5-15 yrs) eg coat, shirt etc; Girls outerwear (aged 5-15 yrs) eg dress, jumper, etc; Infants outerwear (aged 4 yrs or under) eg romper; Mens underwear incl pyjamas, socks, vest; Womens underwear incl socks, tights, pyjamas, lingerie; Childrens underwear (15 yrs or under) eg sleep suit; Mens accessories eg tie, gloves, belt; Womens accessories eg gloves, scarf; Childrens (15yrs or under) accessories eg bib, gloves, hat; Footwear for men incl trainers, slippers, insoles; Footwear for women incl trainers, slippers, insoles; Footwear for children incl baby boots, wellingtons; Haberdashery eg buttons, thread, wool; Haberdashery eg pins, needles, tape measure; Clothing materials; Clothing hire eg hire of dinner jacket, fancy dress.
P126	Miscellaneous - personal expenditure.	EC3221; EK5212; EK5213; EK5214; EK5215; EK5216.	Personal goods not otherwise specified eg pipe, sunglasses, umbrella; Money to children for a specific purpose - pocket money; Money to children for a specific purpose - school dinner and other school food (eg snack at school, juice money, school milk); Money to children for a specific purpose - school travel eg bus fare, train fare; Money to children for a specific purpose - other eg for school club, bus fare (not to school); Cash gifts to children (ie no specific purpose).
P126c	Miscellaneous - personal expenditure.	EC3221; EK5315; EK5511.	Personal goods not otherwise specified eg pipe, sunglasses, umbrella; Club instalment payment; Household items and bills, overdrafts.

P127	Purchase of dwelling & capital improvement.	EK1211; EK1313; EK1314; EK1315; EK1316; EK1411.	Outright purchase of deposit on main dwelling; Central heating installation (DIY); Double glazing, kitchen units, sheds etc; Purchase of materials for capital improvements eg bricks, slates, etc; Bathroom fittings eg bath, taps, toilet seat; Purchase of second dwelling.
P128	Other payments - personal expenditure.	E92112; EK1211; EK1313; EK1314; EK1411; EK2111; EK5111; EK5113; EK5115; EK5116; EK1315; EK1316; EK5316.	Purchase of caravans, mobile homes (incl decorations); Savings, investments (excl AVCs); Additional Voluntary Contributions; Superannuation deduct subsidiary employee job; Widows/Dependents/Orphans Fund; Purchase of materials for capital improvements eg bricks, slates, etc; Bathroom fittings eg bath, taps, toilet seat; Pay off loan to clear other debt.
P128c	Other payments - personal expenditure.	EK5111; EK2111; P029; P071; P075; P079.	Savings, investments (excl AVCs); Food stamps, tea & coffee kitty, Christmas meal fund; NI contributions paid by non - employees; Pension & superannuation contributions - current; NI employees contribution - current; Income tax payments less refunds.
P129	Second dwelling - personal expenditure.	EK1411; E41211; EK1412; E45112; E45212; E83115; E94232; E44112.	Purchase of second dwelling; Second dwelling rent; Council tax, mortgage, structural & contents insurance; Second dwelling electricity account payments; Second dwelling gas account payments; Second dwelling telephone account payments; Second dwelling TV licences; Water supply rates & charges - second dwelling.
P129c	Second dwelling - personal expenditure.	E83115; E94232.	Second dwelling telephone account payments; Second dwelling TV licences.

P130	Household goods (RPI) - personal expenditure.	<p>E51212; E52111;  E53211; E52112;  E53132; E53121;  E53111; E53122;  E53133; E53141;  E53151; E55112;  E55111; E53161;  E55214; EC1211;  E53311; E53312;  EC5213; E53313;  E53314; E54131;  E54132; E54121;  E56123; E56121;  E54111; E51113;  E93114; E93313;  E56122; E53171;  E56111; E56112;  EC1311; E93411;  E93412; E93511;  E93212; E93312;  E55213; E51114;  E53131; E56122;  E95411; E95311.</p>	<p>Hard floor coverings eg linoleum, vinyl floor covering; Electric refrigerators and freezers; Dishwasher; Microwave ovens; Heaters, air conditioners, humidifiers, fires &amp; fans; Cleaning equipment eg Hoover, steam carpet cleaner; Lawn mowers; Electrical tools eg saw, drill, hedge cutter; Sewing and knitting machines; Electrical consumables eg batteries, bulb, fuse; Electrical items for personal care eg hair drier, shaver; Gas and electric appliance spare parts; Repairs and insurance for electrical appliances; Insurance for household appliances and extended warranties eg freezer, cooker, camcorder; Repairs and insurance for gas appliances; Rental/hire of household appliances; Kitchen utensils ONLY eg pan, scales, oven dish, tupperware; Other durable household articles incl storage, eg laundry basket, ironing board; Cutlery, flatware and silverware eg knife, fork; Kitchen gloves, cloths, scourers etc; Kitchen disposables eg bin liners, kitchen towel; Glassware, china, pottery eg cup, plate, glass; Fancy &amp; decorative goods inc mirrors, vases; Chrstmas crackers, tinsel and other fancy items; Artificial flowers, pot pourri;</p> <p>Other household items eg brush, dustpan, scissors, duster; Fire extinguisher, water softener, safes, etc; Detergents, washing-up liquid, washing powder; Disinfectants, polishes, other cleaning materials; Toilet paper; Pet food; Pet purchase and accessories; Veterinary and other service for pets; Barbecue equipment and garden swings; Garden decorative eg gnomes, stone garden rabbit; Garden tools and accessories eg barbecues, wheel barrows, trowel, hose; Garden furniture eg deck chair, garden table; Gas cooker; Other household items eg brush, dustpan, scissors, duster; Stationery and drawing materials; Miscellaneous printed matter.</p>
------	---	--	--

P130c	Household goods (RPI) - personal expenditure.	E51111; E51211; E51212; E52111; E53211; E52112; E53132; E53121; E53111; E53122; E53133; E53141; E53151; E55112; E55111; E53211; E53161; E55214; EC1211; E53311; E53312; EC5213; E53313; E53314; E54131; E54132; E54121; E56123; E56121; E54111; E51113; E93114; E93313; E56122; E53171; E56111; E56112; EC1311; E93411; E93412; E93511; E53131; E93212; E93312; E55213; E51114; E95411; E95311; E56122.	Household furniture/ furnishings eg chair, table, light, cupboard; Carpets and rugs; Hard floor coverings eg linoleum, vinyl floor covering; Bedroom textiles eg duvet, pillowcase; Small electric hsehold appliances eg kettle, toaster, iron; Other household textiles eg curtains, towel, cushion; Electric cooker and combined electric/gas; Electric washing machines, spin and tumble dryers; Electric refrigerators and freezers; Dishwasher; Microwave ovens; Heaters, air conditioners, humidifiers, fires & fans; Cleaning equipment eg hoover, steam carpet cleaner; Lawn mowers; Electrical tools eg saw, drill, hedge cutter; Small electric hsehold appliances eg kettle, toaster, iron; Sewing and knitting machines; Electrical consumables eg batteries, bulb, fuse; Electrical items for personal care eg hair drier, shaver; Gas and electric appliance spare parts; Repairs and insurance for electrical appliances; Insurance for household appliances and extended warranties eg freezer, cooker, camcorder; Repairs and insurance for gas appliances; Rental/hire of household appliances; Kitchen utensils ONLY eg pan, scales, oven dish, tupperware; Other durable household articles incl storage, eg laundry basket, ironing board; Cutlery, flatware and silverware eg knife, fork; Kitchen gloves, cloths, scourers etc; Kitchen disposables eg bin liners, kitchen towel; Glassware, china, pottery eg cup, plate, glass; Fancy & decorative goods inc mirrors, vases; Chrstmas crackers, tinsel and other fancy items; Artificial flowers, pot pourri; Other household items eg brush, dustpan, scissors, duster; Fire extinguisher, water softener, safes, etc; Detergents, washing-up liquid, washing powder; Disinfectants, polishes, other cleaning materials; Toilet paper; Pet food; Pet purchase and accessories; Veterinary and other service for pets; Gas cooker; Barbecue equipment and garden swings; Garden decorative eg gnomes, stone garden rabbit; Garden tools and accessories eg barbecues, wheel barrows, trowel, hose; Garden furniture eg deck chair, garden table; Stationery and drawing materials; Miscellaneous printed matter; Other household items eg brush, dustpan, scissors, duster.
-------	---	---	--

P131	Household services (RPI)- personal expenditure.	E56211; E56222; E56223; EC4112; EC4122; EC4121; E31412; E56221; E31413; E32211; EC3112; E51311; E81111; E83112; E83114; EC7116; E94243; E94244; EC6212; EK3111; EC7111; EC7112; EC7115; EC7114; E54141; EB2114; EC7113; E44211; E41211; EK1412; E83115;E44112.	Domestic services, incl cleaners, gardeners, au pairs; Dry cleaners & dyeing; Cleaning of carpets, curtains and household linen; Laundry, laundrettes; Footwear repair & hire; Repairs to personal goods eg watch, jewellery, bag; Furniture recovering and repairs; Postage and poundage eg stamps, registered mail; Payphone and telephone card; Mobile phone - top up cards & other payments; Trade Union and professional organisations; Subscriptions: leisure activities; Other subscriptions; Bank & Post Office counter charges; Stamp duty, licences, fines (excl motoring fines); Legal fees paid to banks; Legal fees paid to solicitors; Other professional fees inc court fines; Funeral expenses; Repair of glassware, tableware, utensils; Room hire eg function room, band room; Other services eg photocopying, newspaper advert; Refuse collection, incl skip hire; Second dwelling rent; Council tax, mortgage, structural & contents insurance; Second dwelling telephone account payments; Water supply rates & charges - second dwelling.
P131c	Household services (RPI)- personal expenditure.	E56211; E56222; E56223; EC4112; EC4122; EC4121; E31412; E56221; E31413; E32211; EC3112; E51311; E81111; E83112; E83114; EC7116; E94243; E94244; EC6212; EK3111; EC7111; EC7112; EC7115; EC7114; E54141; EB2114; EC7113; E44211; E83115.	Domestic services, incl cleaners, gardeners, au pairs; Other household services eg ironing service, window cleaner; Hire of household furniture and furnishings; Home help, home care assistant; Child care payments; Nursery, creche and playschool; Dry cleaners & dyeing; Cleaning of carpets, curtains and household linen; Laundry, laundrettes; Footwear repair & hire; Repairs to personal goods eg watch, jewellery, bag; Furniture recovering and repairs; Postage and poundage eg stamps, registered mail; Payphone and telephone card; Mobile phone - top up cards & other payments; Trade Union and professional organisations; Subscriptions: leisure activities; Other subscriptions; Bank & Post Office counter charges; Stamp duty, licences, fines (excl motoring fines); Legal fees paid to banks; Legal fees paid to solicitors; Other professional fees inc court fines; Funeral expenses; Repair of glassware, tableware, utensils; Room hire eg function room, band room; Other services eg photocopying, newspaper advert; Refuse collection, incl skip hire; Second dwelling telephone account payments.

P132	Personal goods & services (RPI) - personal expenditure.	EC1313; EC1312; EC1314; EC1315; EC1316; EC3111; EC2111; EC3211; EC1317; EC3222; EC3223; E61111; E61112; E61211; E61313; E62111; E62113; E62211; E62321; E62112; E62114; E62212; E62322; E61311; E61312; EC3224; EC1111; E62311; E62331; E63111.	Toilet Soap, liquid soap, shower gel etc; Prostitution; Leather and travel goods eg handbag, wallet; Baby toiletries and accessories inc nappies, bubble bath; Baby equipment eg carrycot, car seat, potty; Prams, pram accessories and pushchairs; NHS prescription charges; Medicines eg aspirin, antiseptic (not NHS); Other medical products eg plasters, bandages; Non-optical items eg hearing aid batteries, wheelchair; NHS medical services; NHS optical services eg NHS optician, NHS eye test; NHS dental services; Services of NHS medical auxiliaries; Private medical services eg physiotherapist; Private optical services eg optician, private eye test; Private dental services; Services of private medical auxiliaries eg osteopath, chiropodist; Purchase: specs, lenses, prescription sunglasses; Accessories and repairs to specs and lenses; Sunglasses (non-prescription ); Hairdressing, salons, personal grooming, sunbed; Services of medical analysis labs, X ray centres; Other non-hospital services eg non-hospital ambulance; Hospital services.
P132c	Personal goods & services (RPI) - personal expenditure.	EC1313; EC1312; EC1314; EC1315; EC1316; EC3111; EC2111; EC3211; EC1317; EC3222; EC3223; E61111; E61112; E61211; E61313; E62111; E62113; E62211; E62321; E62112; E62114; E62212; E62322; E61311; E61312; E62311; E62331; E63111; EC3224; EC1111.	Toilet Soap, liquid soap, shower gel etc; Toiletries (disposable) eg toothpaste, cotton buds, tissue; Toilet requisities (durable) eg toothbrush, comb, razor; Hair Products eg shampoo, hairspray; Cosmetics and related accessories eg bath oil, after shave; Jewellery, clocks and watches eg earrings, bracelet; Prostitution; Leather and travel goods eg handbag, wallet; Baby toiletries and accessories inc nappies, bubble bath; Baby equipment eg carrycot, car seat, potty; Prams, pram accessories and pushchairs; NHS prescription charges; Medicines eg aspirin, antiseptic (not NHS); Other medical products eg plasters, bandages; Non-optical items eg hearing aid batteries, wheelchair; NHS medical services; NHS optical services eg NHS optician, NHS eye test; NHS dental services; Services of NHS medical auxiliaries; Private medical services eg physiotherapist; Private optical services eg optician, private eye test; Private dental services; Services of private medical auxiliaries eg osteopath, chiropodist; Purchase: specs, lenses, prescription sunglasses; Accessories and repairs to specs and lenses; Services of medical analysis labs, X ray centres; Other non-hospital services eg non-hospital ambulance; Hospital services; Sunglasses (non-prescription ); Hairdressing, salons, personal grooming, sunbed.



P133	Motoring expenditure (RPI) - personal expenditure.	E71112; E92114; E71122; E92116; E71212; E72112; E72111; E91112; E72113; E31315; E72211; E72212; E72213; E72313; E72413; E72114; E72411; E72412; E72314; EK3112.	New car/van: loan or HP; Car accessories, fittings eg tools, car jack; Audio equipment, in car eg car radio, car speakers; Motor cycle accessories, spare parts; Protective headgear eg crash helmets; Petrol; Diesel; Other motor oils eg Castrol; AA, RAC or other motoring org subscription; Driving lessons; Anti-freeze, battery water, cleaning materials; Parking fees, tolls and permits (not motoring fines); Garage rent, MOT fee, other costs (not motoring fines); Car washing & breakdown services eg screen wash, car tow, etc; Motoring fines eg speeding fine, parking fine.
P133c	Motoring expenditure (RPI) - personal expenditure.	E71111; E92113; E71121; E92115; E71211; E72211; E72212; E72213; E72313; E72413; E72114; E72411; E72412; E72111; E72314; EK3112; E72311; E72113; E91112; E72312; E72113; E31315; EC5411.	Outright purchase of new cars or vans; Purchase of new motor caravan - outright; Outright purchase of second hand car; Purchase of second hand motor caravan - outright; New/second hand cycle purchase; Petrol; Diesel; Other motor oils eg Castrol; AA, RAC or other motoring org subscription; Driving lessons; Anti-freeze, battery water, cleaning materials; Parking fees, tolls and permits (not motoring fines); Garage rent, MOT fee, other costs (not motoring fines); Car accessories, fittings eg tools, car jack; Car washing & breakdown services eg screen wash, car tow, etc; Motoring fines eg speeding fine, parking fine; Car or van repairs and servicing; Motor cycle accessories, spare parts; Audio equipment, in car eg car radio, car speakers; Motor cycle repairs and services; Motor cycle accessories, spare parts; Protective headgear eg crash helmets; Vehicle insurance, car insurance.
P134	Fares etc (RPI) - personal expenditure.	E92111; E92117; E92311; EC5412; E71311; E71411; E72115; E73112; E73212; E73512; E73311; E73312; E73411; E73513; E73213; E72414; E73214; E73611.	Purchase of boats, trailers and horses; Bicycle accessories, repairs, other costs; Rail and tube fares other than season tickets; Bus and coach fares other than season tickets; Combined fares other than season tickets; Air travel within UK; International air travel; Water Travel; School travel eg school bus (but NOT when adult gives money to child for school bus); Taxis and hired cars with drivers; Hire of self-drive cars, vans, bicycles; Other personal travel; Delivery charges (eg for groceries, takeaways) and other transport services.

P134c	Fares etc (RPI) - personal expenditure.	E92111; E92117; E92311; EC5412; E71311; E72115; E71411; E73112; E73212; E73512; E73311; E73312; E73411; E73513; E73213; E72414; E73214; E73611.	Purchase of boats, trailers and horses; Accessories for boats, horses, caravans & motor caravans; Repair and maintenance of other major durables for recreation; Boat insurance (NOT if boat is used as home); Bicycles purchase; Bicycle accessories, repairs, other costs; Animal drawn vehicles; Rail and tube fares other than season tickets; Bus and coach fares other than season tickets; Combined fares other than season tickets; Air travel within UK; International air travel; Water Travel; School travel eg school bus (but NOT when adult gives money to child for school bus); Taxis and hired cars with drivers; Hire of self-drive cars, vans, bicycles; Other personal travel; Delivery charges (eg for groceries, takeaways) and other transport services.
P135	Leisure goods (RPI) - personal expenditure.	E91121; E91122; E91123; E91124; E91111; E91311; E92211; E91411; E94239; E91113; E91412; E94238; E91511; E92221; E93112; E93113; E91126; E91125; E93211; E95211; E95212; E95111; E93111; E94246; E91211; E91413; E82111; E82112; E82113; E93311; E91414.	Television sets; Musical instruments (purchase & hire); Audio - records, CDs, cassettes, discs - hire and purchase; Audio cassette hire, CD hire eg from library; Accessories for audio equipment eg headphones; Video - blank and pre-recorded videos incl rentals; Video cassette rental, DVD rental; Repairs, insurance of TV, video, audio, computers; Major durables for indoor recreation eg snooker tables; Computer games cartridges and software; Consoles for computer games eg Sega, Nintendo; Spare parts for TV, video, audio, computers, aerial splitter, microphone adaptor, video cable; Purchase of digital TV decoder; Equipment for sport, camping and open air recreation; Newspapers; Magazines and periodicals; Books; Games, toys and hobbies eg dolls, toy cars; Photographic/optical eg photo develop; Photographic and cinematographic equipment; Camera films, camcorder tape; Telephone purchase; Car phone/mobile phone purchase; Answering and fax machine purchase; Plants, flowers, seeds, fertilisers, insecticides; DVDs - blank and pre-recorded DVDs, Excl rentals.

P135c	Leisure goods (RPI) - personal expenditure.	E91121; E91122; E91123; E91124; E91111; E91311; E92211; E91411; E94239; E91113; E91412; E94238; E91511; E92221; E93112; E93113; E91126; E91125; E93211; E95211; E95212; E95111; E93111; E94246; E91211; E91413; E82111; E82112; E82113; E93311; E91414.	Television sets; Satellite dish purchase; Satellite dish installation; Video recorders; Audio equipment, stereos, CD players; Computers, printers, ink cartridge, calculators, mouse mat; Musical instruments (purchase & hire); Audio records, CDs, cassettes, discs - hire and purchase; Audio cassette hire, CD hire eg from library; Accessories for audio equipment eg headphones; Video - blank and pre-recorded videos incl rentals; Video cassette rental, DVD rental; Repairs, insurance of TV, video, audio, computers; Major durables for indoor recreation eg snooker tables; Computer games cartridges and software; Consoles for computer games eg Sega, Nintendo; Spare parts for TV, video, audio, computers, aerial splitter, microphone adaptor, video cable; Purchase of digital TV decoder; Equipment for sport, camping and open air recreation; Newspapers; Magazines and periodicals; Books; Games, toys and hobbies eg dolls, toy cars; Photographic/optical eg photo develop; Photographic and cinematographic equipment; Camera films, camcorder tape; Telephone purchase; Car phone/mobile phone purchase; Answering and fax machine purchase; Plants, flowers, seeds, fertilisers, insecticides; DVDs - blank and pre-recorded DVDs, Excl rentals.
P136	Leisure services (RPI) - personal expenditure.	E94211; E94212; E94241; E94221; E94242; E94112; E94111; E94311; E94312; E94313; E94314; E94315; E94316; E94319; E94232; E94113; E94115; E94236; E91127; EA1113; EA2113; EA3113; EA4113; EA5113; EK4111; EK4112; EC5511; EC5413; EC6214; EK5221; EK5222; EK5223; EC4111; E94245.	Cinemas; Spectator sports - admission charges; Football pools stakes; Bingo stakes, excl admission; Lottery (not National/Irish); Bookmaker, tote, other betting stakes; Irish Lottery stakes; National Lottery instants; National Lottery stakes - Midweek or Saturday draw; Second dwelling TV licences; Subscriptions to sports and social clubs; Hire of equipment, accessories or services for sport or open-air recreation; TV slot meter/ Cable TV connection; Cable TV installation; Other ad hoc nursery/primary school expenditure eg school trips; Other ad hoc secondary school expenditure eg baking ingredients, school trips; Other ad hoc college expenditure; Other ad hoc college/Univ expenditure; Other ad hoc expenditure; Money spent abroad; Duty free bought in UK; Other insurance; Travel/ holiday insurance - NOT insurance for package holidays; Commission on travellers cheques and currency; Money given to those outside the household; Present - not specified; Charitable donations & subscriptions; Residential home fees for elderly, sick, blind; Internet subscription fees.

P136c	Leisure services (RPI) - personal expenditure.	E94211; E94212; E94241; E94221; E94242; E94112; E94111; E94311; E94312; E94313; E94314; E94315; E94316; E94319; E94113; E94236; E91127; EC5511; EA1113; EA2113; EA3113; EA4113; EA5113; EK4111; EK4112; EB2111; EB2112; EC5413.	Cinemas; Live entertainment, theatre, concerts, shows; Admissions to clubs, dances, bingo; Museums, zoological gardens; Admission to social events and gatherings; Participant sports exc subscriptions; Spectator sports - admission charges; Football pools stakes; Bingo stakes, excl admission; Lottery (not National/Irish); Bookmaker, tote, other betting stakes; Irish Lottery stakes; National Lottery instants; National Lottery stakes - Midweek or Saturday draw; Subscriptions to sports and social clubs; TV slot meter/ Cable TV connection; Cable TV installation; Other insurance; Other ad hoc nursery/primary school expenditure eg school trips; Other ad hoc secondary school expenditure eg baking ingredients, school trips; Other ad hoc college expenditure; Other ad hoc college/Univ expenditure; Other ad hoc expenditure; Money spent abroad; Duty free bought in UK; Holidays in UK (accommodation); Holidays abroad (accommodation); Travel/ holiday insurance - NOT insurance for package holidays.
P153	Total personal expenditure;	P116c; P117c; P118c; P119c; P120c; P121c; P126c; P130c; P131c; P132c; P133c; P134c; P135c; P136c	Housing - personal expenditure; Fuel etc - personal expenditure; Food - personal expenditure; Alcoholic drink - personal expenditure; Tobacco - personal expenditure; Clothing, footwear - personal expenditure; Miscellaneous - personal expenditure; Household goods (RPI) - personal expenditure; Household services (RPI)- personal expenditure; Personal goods & services (RPI) - personal expenditure; Motoring expenditure (RPI) - personal expenditure; Fares etc (RPI) - personal expenditure; Leisure goods (RPI) - personal expenditure; Leisure services (RPI) - personal expenditure.
P153c	Total personal expenditure;	P116c; P117c; P118c; P119c; P120c; P121c; P126c; P130c; P131c; P132c; P133c; P134c; P135c; P136c	Housing - personal expenditure; Fuel etc - personal expenditure; Food - personal expenditure; Alcoholic drink - personal expenditure; Tobacco - personal expenditure; Clothing, footwear - personal expenditure; Miscellaneous - personal expenditure; Household goods (RPI) - personal expenditure; Household services (RPI)- personal expenditure; Personal goods & services (RPI) - personal expenditure; Motoring expenditure (RPI) - personal expenditure; Fares etc (RPI) - personal expenditure; Leisure goods (RPI) - personal expenditure; Leisure services (RPI) - personal expenditure.

## P118(c) – Food – Personal Expenditure

E11181; E11182; E11111; E11112; E11113; E11114; E11121; E11122; E11131; E11132; E11133; E11134; E11135; E11136; E11141; E11142; E11143; E11144; E11145; E11171; E11172; E11161; E11162; E11164; E11173; E11174; E11151; E11152; E11153; E11154; E11155; E11166; E11175; E11183; E11184; E11862; E11932; E11211; E11212; E11213; E11214; E11215; E11216; E11221; E11222; E11223; E11224; E11241; E11242; E11243; E11244; E11251; E11252; E11253; E11281; E11282; E11283; E11231; E11232; E11261; E11262; E11263; E11264; E11265; E11291; E11292; E11284; E112A1; E112A2; E112B1; E112B2; E112B3; E112B4; E112C1; E112C2; E112C3; E11271; E112D1; E112D2; E11311; E11312; E11321; E11322; E11323; E11324; E11331; E11332; E11341; E11342; E11351; E11352; E11361; E11411; E11412; E11413; E11414; E11415; E11421; E11422; E11431; E11432; E11433; E11434; E11441; E11451; E11452; E11453; E11454; E11455; E11456; E11165; E11435; E11442; E11461; E11463; E11464; E11465; E11471; E11511; E11462; E11521; E11522; E11523; E11524; E11673; E11531; E11541; E11551; E11552; E11611; E11612; E11621; E11631; E11632; E11633; E11641; E11642; E11651; E11652; E11661; E11671; E11672; E11681; E11682; E11711; E11712; E11713; E11714; E11923; E11721; E11722; E11723; E11731; E11732; E11733; E11734; E11735; E11761; E11762; E11751; E11752; E11753; E11754; E11755; E11756; E11763; E11771; E11772; E11781; E11782; E11783; E11784; E11786; E11787; E117A1; E11911; E11941; E11741; E11742; E11743; E11744; E11785; E11791; E11792; E11793; E11861; E11811; E11812; E11821; E11822; E11823; E11824; E11841; E11842; E11851; E11852; E11853; E11854; E11871; E11872; E11873; E11831; E11832; E11912; E11913; E11914; E11921; E11922; E11163; E11931; E11933; E11951; E11952; E11961; E11962; E11971; E11972; E12111; E12112; E12113; E12121; E12122; E12131; E12132; E12211; E12221; E12222; E12231; E12232; E12241; E12251; E13187; E13191; EP1113; EP1123; EP1133; EP1143; EP1114; EP1124; EP1134; EP1144; EP1145; EP2111; EP2121; EP2131; EP2151; EP2152; EP1146; EP1115; EP1125; EP1135; EP1147; EP1148; E13111; E13112; E13113; E13114; E13121; E13122; E13123; E13124; E13131; E13132; E13133; E13134; E13141; E13142; E13151; E13161; E13184; E13185; E13125; E13171; E13181; E13182; E13183; E13186; EP2141; EP1112; EP1122; EP1132; EP1142; EB112B

Dried rice; Cooked rice; White - standard - unsliced; White - standard - sliced; White - premium - sliced & unsliced; White - soft grain - sliced & unsliced; Brown bread, incl granary brown - sliced & unsliced; Wholemeal, incl granary wholemeal & 'granary' not spec - sliced & unsliced; Rolls - white, brown, wholemeal; Malt bread & fruit loaves; Vienna & french bread eg baguette; Starch reduced bread & rolls, eg Nimble, Slimcea; Sandwiches - retail not takeaway; Other bread eg pitta, naan, garlic, rye, sunflower, ciabatta; Buns, scones & teacakes; Crispbread, eg Rivita, breadsticks, pretzels; Chocolate biscuits/ wafers incl Penguin, Club, Kit Kat; Sweet biscuits & cereal bars eg digestives, jam-filled, shortcake; Cream crackers & unsweetened biscuits incl water biscuits; Canned pasta eg spaghetti hoops, ravioli; Dried & fresh pasta, inc pasta salad, pasta & sauce; Cakes & pastries - NOT FROZEN eg fruit cakes & pies, choc cakes; Cakes & pastries - FROZEN eg choc gateaux, apple pies; Other puddings eg fruit pudding, sponge, Christmas pudding; Pizza - frozen or non frozen; Quiches & flans - frozen or non frozen; Oatmeal & oat products eg porridge oats, oatmeal, oatcakes; Muesli (incl crunchy-oat cereal); High fibre breakfast cereals eg Allbran, Weetabix; Sweetened breakfast cereals eg Sugar Puffs, Coco Pops; Other breakfast cereals eg Cornflakes, Rice Krispies; All canned milk puddings eg rice, macaroni, sago, tapioca; Other convenience cereal foods eg pot noodles, pastry mix, sauce mix, casserole mix; Flour; Other cereals eg barley; Cereal snacks eg Doritos, Wotsits, Tortilla chips, Bombay Mix; Infant cereal foods eg Ovaltine Rusks, Farlene, Robinsons Instant baby foods, baby rice; Beef joints inc on the bone; Beef joints - boned eg topside, silverside, sirloin, brisket; Beef steak - less expensive eg stewing or braising steak; Beef steak - more expensive eg sirloin, rump, fillet, topside; Minced Beef/ Mince, type not specified; All other beef and veal eg veal escalopes; Pork joints, inc sides; Pork chops; Pork fillets and steaks; All other pork - uncooked; Mutton; Lamb joints - incl sides, shoulder, leg; Lamb chops - incl cutlets, fillets; All other lamb eg minced, breast (NOT LAMB OFFAL eg NOT kidneys, liver, heart); Chicken - whole or parts eg leg, breast, wing, quarter; Turkey - whole or parts eg mince, breast, steak, diced; Poultry - other than chicken or turkey eg duck, pheasant, goose; Sausages (uncooked) - pork; pork or beef not specified; Sausages (uncooked) - beef inc pork & beef, turkey sausages; Delicatessen type sausages (cooked or uncooked) eg liver sausage, salami, frankfurter, polony, saveloy, garlic sausage; Bacon & ham joints, uncooked incl gammon steaks; Bacon & ham rashers incl back bacon, middle, streaky; Ox liver; Lambs liver; Pigs liver; All other liver eg calf liver, chicken liver; All offal other than liver eg kidney, heart, tripe, brain, sweetbread, tongue, oxtail, trotters; Pate; Meat pastes and spreads; Burgers - frozen & non-frozen - not takeaway; Corned beef - canned or sliced; Other canned meat & canned meat products eg ham, ham & pork, chopped pork, steak, luncheon meat, Irish stew, sausage & beans; Cooked chicken/ turkey eg chicken slices, turkey slices; Cooked ham & bacon eg sliced ham, honey roast ham, cooked bacon joint; Other cooked meat eg luncheon meat, tongue, roast pork, pressed beef; #N/A; Sausage rolls - FRESH NOT FROZEN; Meat pies, FRESH NOT FROZEN; Meat pies, pasties & puddings - FRESH AND FROZEN; Other fresh/chilled/frozen meat - eg rabbit, venison; Complete ready meals - FRESH AND FROZEN; Other convenience meat products FROZEN OR NOT FROZEN; White fish - fresh or chilled; White fish - frozen eg cod, haddock, hake, plaice, lemon sole; Salmon - fresh or chilled; Salmon - frozen; Herrings & other blue fish - fresh or chilled; Herrings & other blue fish - frozen; Shellfish - fresh or chilled IGNORE WHETHER COOKED OR UNCOOKED; Shellfish - frozen IGNORE WHETHER COOKED OR UNCOOKED; White fish eg cod, haddock, etc incl crabsticks, dried shrimp; Blue fish eg smoked salmon, smoked mackerel, kippers, pickled herring; Tinned salmon; Other tinned or bottled fish/seafood eg sardines, tuna, caviar; All fish ready meals & other fish products eg fish pie, fish fingers, fish cakes, fish paste, jellied eels, prawn curry, prawn biryani, tuna & pasta bake, seafood pasta; Pasteurised & homogenised (whole milk only); Sterilised (whole milk only); UHT milk (whole milk only); School milk; Welfare milk; Fully-skimmed milk - incl UHT & sterilised fully skimmed; Semi-skimmed milk - incl UHT & sterilised semi-skimmed; Condensed & evaporated milk; Infant & baby milk - READY TO DRINK (sold by volume; Infant & baby milk - DRIED (sold by weight); Instant dried milk eg Marvel; All yoghurt (incl twinpots, yoghurt drinks) except FROZEN YOGHURT; Hard cheese - cheddar type; Hard cheese - other UK or foreign equivalent eg Cheshire, Caerphilly; Hard Cheese - Edam or other foreign eg Gouda, Babybel; Cottage cheese incl flavoured; Soft natural cheese eg Brie, Camembert, Philadelphia; Processed cheese, cheese spreads & cheese products eg Kraft Dairylea, Primula, Kraft slices; Canned or fresh carton custard; Dried milk products eg Complan, Build Up, powdered milkshake mixes; All Fromage Frais; Cream incl single, double, whipping, clotted; Dairy desserts - not frozen eg mousse, trifle, cheesecake; Milk drinks & other READY TO DRINK milks eg buttermilk, flavoured milk, goats milk, Yakult, milkshakes; Non-dairy milk substitutes; Eggs; Butter - all types

(except low fat varieties), from all countries; Imitation cream & other fats eg Coffee Mate, Complementary, Dream Topping, aerosol cream; Soft margarine eg Blue Band, Stork SB; Other margarine eg Echo, Stork Hard; Reduced fat spreads eg Flora, Clover/ Spread - DK type; Low fat spreads eg Outline, Flora Extra Light; Peanut butter; Olive Oil; Other vegetable and salad oils eg corn, soya, sunflower etc oil; Lard, cooking fat eg Cookeen, Spry, Trex; Suet & dripping; Fresh Oranges; Other fresh citrus fruits eg lemons, grapefruit, tangerines, clementines, etc; Fresh Bananas; Fresh Apples; Fresh Pears; Fresh Stone fruit eg apricot, plum, peach, cherry, avocado, nectarine, olives; Fresh Grapes; Other fresh soft fruit eg strawberries, blackberries, blackcurrants, cranberries; Fresh Melon; Other fresh fruit eg pineapple, pomegranate, figs, kiwi fruit, rhubarb, 'fruit' - type not spec; Frozen fruits eg strawberries, apple slices, peach halves; Dried fruit eg sultanas, raisins, currants, dates, apricots; Nuts, edible seeds & nut products eg peanuts, coconut, sunflower seeds, chestnut puree; Tinned peaches, pears & pineapples only; Other tinned or bottled fruit eg apricots, cherries, mandarin oranges, olives; Lettuce incl watercress (NOT prepared salads); Other fresh green vegetables eg spinach, turnip tops, sprouting broccoli; Stem vegetables eg celery, artichokes, asparagus, bean sprouts; Prepared lettuce salads, eg in bags mixed salad (NEW CODE); Fresh herbs eg basil, peppers, clove of garlic; Cabbages, fresh; Brussel sprouts, fresh; Cauliflower, fresh incl headed broccoli eg Calabrese; Cucumbers, fresh; Marrow, courgettes, aubergine, pumpkin, plantain etc; Peas, fresh incl mangetout, sugar snap peas; Beans, fresh incl runner, broad, french; Tomatoes, fresh; Peas, frozen; Beans, frozen; Carrots, fresh; Turnips & swede, fresh; Onions, leeks, shallots etc, fresh; Other root veg, fresh eg beetroot, parsnips, jerusalem artichokes, parsnips, yams, radishes; Mushrooms - fresh; Stir-fry pack, pack of mixed veg, stewpack, fresh veg - type not specified; All other frozen veg eg mixed veg, sweetcorn, courgettes, carrots; Air-dried vegetables eg Surprise peas, Swel onions & mixed veg, sun dried tomatoes; Dried pulses eg peas, chick peas, beans, lentils; Tomatoes, canned or bottled; Peas, canned; Baked beans in sauce; Other canned beans & pulses eg butter beans, broad beans, kidney beans; Other canned or bottled veg eg carrots, runner beans, sweetcorn, mushrooms; Tomato puree and vegetable purees; Veg ready meal/other veg product - eg veg curry, veg lasagne, pasta filled with veg, veg pastie, pease pudding, coleslaw ) ,; Pickles eg onion, beetroot, cucumber, gherkin; Soya & novel protein foods eg soya mince, Tofu, Quorn; All other potatoes - not new or baking - bought at any time of year; New Potatoes - bought any time of year; Code not used;

Baking Potatoes; Canned potatoes; Instant potato eg Smash, Yeoman; Chips - frozen/not frozen eg oven chips; Other potato products - frozen/not frozen eg potato cakes, potato scones, potato salad, hash browns, croquettes; Crisps & potato snacks eg Quavers, Hula Hoops; Sugar incl glucose; Artificial sweeteners eg Sweetex, Canderel, Hermesetas; Jams & fruit curds eg lemon curd; Marmalade incl jelly marmalade; Jelly squares or crystals; Honey incl honey spreads; Chocolate bars - SOLID eg Fruit n Nut, Dairy Milk, Galaxy, Aero, Yorkie, Wispa, 'chocolate bar' - type not spec; Chocolate bars/ choc sweets - COATED & FILLED eg Mars, Snickers, Bounty, Minstrels, Rolos, Smarties, Milk Tray, Black Magic; Chewing gum; Mints eg Polo, Extra Strong Mints; Boiled sweets & jellies eg fruit gums, Liquorish Allsorts, pick & mix, 'sweets' type not specified; Fudges, toffees, caramels eg Choc Eclairs, Toffos; Ice cream tub or block; Ice cream products eg cornets, choc-ices, lollies with ice-cream, Magnums, Feasts; Other frozen dairy foods & ices eg ice lollies, ice cubes, sorbet, frozen mousse, frozen yoghurt ) ,; Syrup, treacle; Other spreads & dressings eg choc spread, choc sauce, rum butter, instant icing, hundreds & thousands; Sauces eg apple sauce, bolognese sauce, Cook-In sauces, mint sauce, tomato ketchup; Salad dressings eg 1000 island, salad cream, mayonnaise, dips; Vinegar; Salt; Spices & dried herbs eg curry powder, mustard, pepper, dried garlic; Cake, pudding & dessert mixes eg Angel Delight, custard powder; Baby foods eg Heinz or Gerber strained foods; Invalid, slimming & sports foods eg slimming bars, slimming drinks (powdered or ready-to-drink Bengers, Power Malt; Canned & carton soups; Dehydrated & powdered soup incl cup-a-soup; Bisto, gravy granules, baking powder, yeast, flavourings, colourings; Stock cubes (all meat & yeast extracts eg Oxo cubes, chicken stick cubes, Bovril, Marmite; Wine & beer making kits; Payment for food, items not specified; Coffee beans, ground coffee; Instant coffee; Coffee essences; Tea; Fruit tea, green tea, instant tea granules, herbal tea, rosehip tea; Cocoa & chocolate drink powders/ mixes eg Cadburys Drinking Chocolate (NOT liquid ready-to-drink); Malt drinks (eg Ovaltine) & chocolate versions of malt drinks; Mineral or spring water; Soft drinks - not conc, NOT low cal (incl fizzy & still); Soft drinks - not conc, LOW CAL (incl fizzy & still); Soft drinks - conc, NOT low cal; Soft drinks - conc, LOW CAL; Pure fruit juices; Vegetable juices eg tomato juice, carrot juice; Other takeaway food brought home; Meals on wheels - not specified/ no detail given; Adults EO Spend - Confectionery - Catering - On; Adults EO Spend - Ice Cream - Catering - On; Adults EO Spend - Soft Drinks - Catering - On; Adults EO Spend - All other food - Catering - On; Adults EO Spend - Confectionery - Catering - Off; Adults EO Spend - Ice Cream - Catering - Off; Adults EO Spend - Soft Drinks - Catering - Off; Adults EO Spend - All other food - Catering - Off - Hot; Adults EO Spend - All other food - Catering - Off - Cold; Childrens EO Spend - Confectionery; Childrens EO Spend - Ice cream; Childrens EO Spend - Soft drinks; Childrens EO Spend - All other food - Hot; Childrens EO Spend - All other food - Cold; Adults EO Spend - All other food - Shops - On; Adults EO Spend - Confectionery - Shops; Adults EO Spend - Ice Cream - Shops; Adults EO Spend - Soft Drinks - Shops; Adults EO Spend - All other food - Shops - Off - Hot; Adults EO Spend - All other food - Shops - Off - Cold; Chicken eg chicken pieces, chicken nuggets, chicken from chip shop or KFC; Meat pies & pasties; Fish eg from fish n chip shop; Fish products eg fish cakes, scampi, fish burgers; Chips eg from chip shop; Cooked rice eg boiled rice, fried rice, pilau rice; Pasta & noodles; Breads eg garlic bread, nan, chapati, rolls; Burger & bun eg hamburger, cheeseburger, chicken burger; Kebabs eg doner kebab, shish kebab, chicken kebab; Sausages & saveloys; Miscellaneous meats eg faggots, haggis, pepperami; Meat-based meals incl Indian & Chinese takeaways eg Beef curry, chicken curry, chicken tikka, chow mein; Fish-based meals incl Indian & Chinese takeaways eg prawn curry; All veg takeaway products eg veg curry, onion bhajis, spring rolls, veg samosas, salad, coleslaw, peas; Pizza - takeaway and home delivery; Sauces, mayonnaise eg curry sauce; Soups; Cakes, pastries, buns, biscuits etc incl cake, sponge pudding, doughnut, custard, rice pud; Takeaway sandwiches; Confectionery (sweets and chocolate); Crisps, savoury snacks, popcorn, popadums, prawn crackers; Ice cream, ice cream products, milkshakes, jellies etc; Tea/ coffee - hot drink; Childrens EO Spend - School Dinner; Adults EO Spend - Confectionery - Work; Adults EO Spend - Ice Cream - Work; Adults EO Spend - Soft Drinks - Work; Adults EO Spend - All other food - Work; Catering services eg for wedding, funeral, party, etc

---

# Section Seven:

## Product Codes - Household level

---

<b>Variable</b>	<b>Label</b>		
<b>P087</b>	<b>Other insurance - including deductions from wages</b>	<b>B206; B205.</b>	<b>Other insurance - total amount premium; Friendly Societies - deductions from main pay.</b>
<b>P116t</b>	<b>Housing - personal expenditure.</b>	<b>P116; P116c.</b>	<b>Housing - personal expenditure; Housing - personal expenditure.</b>
<b>P117t</b>	<b>Fuel etc - personal expenditure.</b>	<b>P117; P117c.</b>	<b>Fuel etc - personal expenditure; Fuel etc - personal expenditure.</b>
<b>P118t</b>	<b>Food - personal expenditure.</b>	<b>P118; P118c.</b>	<b>Food - personal expenditure; Food - personal expenditure.</b>
<b>P119t</b>	<b>Alcoholic drink - personal expenditure.</b>	<b>P119; P119c.</b>	<b>Alcoholic drink - personal expenditure; Alcoholic drink - personal expenditure.</b>
<b>P120t</b>	<b>Tobacco - personal expenditure.</b>	<b>P120; P120c.</b>	<b>Tobacco - personal expenditure; Tobacco - personal expenditure.</b>
<b>P121t</b>	<b>Clothing, footwear - personal expenditure.</b>	<b>P121; P121c.</b>	<b>Clothing, footwear - personal expenditure; Clothing, footwear - personal expenditure.</b>
<b>P126t</b>	<b>Miscellaneous - personal expenditure.</b>	<b>P126; P126c.</b>	<b>Miscellaneous - personal expenditure; Miscellaneous - personal expenditure.</b>
<b>P128t</b>	<b>Other payments - personal expenditure.</b>	<b>P128; P128c.</b>	<b>Other payments - personal expenditure; Other payments - personal expenditure.</b>
<b>P129t</b>	<b>Second dwelling - personal expenditure.</b>	<b>P129; P129c.</b>	<b>Second dwelling - personal expenditure.; Second dwelling - personal expenditure..</b>



<b>P130t</b>	<b>Household goods (RPI) - personal expenditure.</b>	<b>P130; P130c.</b>	<b>Household goods (RPI) - personal expenditure; Household goods (RPI) - personal expenditure.</b>
<b>P131t</b>	<b>Household services (RPI) - personal expenditure.</b>	<b>P131; P131c.</b>	<b>Household services (RPI)- personal expenditure; Household services (RPI)- personal expenditure.</b>
<b>P132t</b>	<b>Personal goods &amp; services (RPI) - personal expenditure.</b>	<b>P132; P132c.</b>	<b>Personal goods &amp; services (RPI) - personal expenditure; Personal goods &amp; services (RPI) - personal expenditure.</b>
<b>P133t</b>	<b>Motoring expenditure (RPI) - personal expenditure.</b>	<b>P133; P133c.</b>	<b>Motoring expenditure (RPI) - personal expenditure; Motoring expenditure (RPI) - personal expenditure.</b>
<b>P134t</b>	<b>Fares etc (RPI) - personal expenditure.</b>	<b>P134; P134c.</b>	<b>Fares etc (RPI) - personal expenditure; Fares etc (RPI) - personal expenditure.</b>
<b>P135t</b>	<b>Leisure goods (RPI) - personal expenditure.</b>	<b>P135; P135c.</b>	<b>Leisure goods (RPI) - personal expenditure; Leisure goods (RPI) - personal expenditure.</b>
<b>P136t</b>	<b>Leisure services (RPI) - personal expenditure.</b>	<b>P136; P136c.</b>	<b>Leisure services (RPI) - personal expenditure; Leisure services (RPI) - personal expenditure.</b>

P153t	Total personal expenditure.	P116t; P117t; P118t; P119t; P120t; P121t; P126t; P130t; P131t; P132t; P133t; P134t; P135t; P136t.	Housing - personal expenditure; Fuel etc - personal expenditure; Food - personal expenditure; Alcoholic drink - personal expenditure; Tobacco - personal expenditure; Clothing, footwear - personal expenditure; Miscellaneous - personal expenditure; Household goods (RPI) - personal expenditure; Household services (RPI) - personal expenditure; Personal goods & services (RPI) - personal expenditure; Motoring expenditure (RPI) - personal expenditure; Fares etc (RPI) - personal expenditure; Leisure goods (RPI) - personal expenditure; Leisure services (RPI) - personal expenditure.
P220p	Rent   rate   council tax rebate or allowance.	P205; P206p; B230.	Rates rebate; Council tax rebate - anonymised; Rent rebate - amount recvd inc non - sep rate rebate.
P220u	Rent   rate   council tax rebate or allowance .	P205; P206u; B230.	Rates rebate; Council tax rebate; Rent rebate - amount recvd inc non - sep rate rebate.
p221	Calculated rates less rebates.	p205.	Rates rebate.
P249c	Gas - slot meter / gas card or disc payments.	C45214c.	Gas slot meter payment.
P249t	Gas - slot meter / gas card or disc payments less all gas rebates.	P249; P249c.	Gas - slot meter / gas card or disc payments less all gas rebates; Gas - slot meter / gas card or disc payments.
P250c	Electricity – Electric key / slot meter / token / card payments.	C45114c.	Electricity slot meter payment.

P250t	Electricity – Electric key / slot meter / token / card payments less.	P250; P250c.	Electricity – Electric key / slot meter / token / card payments less rebates; Electricity – Electric key / slot meter / token / card payments.
P281p	Net rent, rates, council tax, water, other housing.	B010; B020; B030; B038p; B050; B053p; B056p; B060; B110; B130; B150.	Rent/rates - last net payment; Net rent - service charge deducted; Domestic rates - last net payment; Council tax - last payment weekly amount; Water charges - last net payment; Council water tax - weekly amount paid; Council sewerage tax - weekly amount paid; Other regular housing payments; Structure insurance - last payment.
P281u	Net rent, rates, council tax, water, other housing.	B010; B020; B030; B038u; B050; B060; B110; B130; B150.	Rent/rates - last net payment; Net rent - service charge deducted; Domestic rates - last net payment; Council tax - last payment weekly amount; Water charges - last net payment; Other regular housing payments; Structure insurance - last payment; Mortgage interest only - last payment; Mortgage interest / principle - interest paid.
P348	Social Security benefits - household	P332; P336.	Social security retired / old age / widow pension - household; Other social security benefits - household.
P356	Normal gross wage/salary (all), household - 13 week rule	P300; P312.	Normal gross wage / salary (main), household -13week rule; Gross wage / salary last time paid (subsidiary) -household.
p389u	Normal weekly disposable household income	P177	Personal gross income, less tax & ni.
P515cp	Housing (net).	P116c.	Housing - personal expenditure.
P515cu	Housing (net).	P116c.	Housing - personal expenditure.

P515p	Housing (net).	B102; B104; B107; B108; P281p; P116.	Central heating repairs - second dwelling; Central heating repairs - main dwelling; House maintenance etc - main dwelling; House maintenance etc - second dwelling; Net rent, rates, council tax, water, other housing; Housing - personal expenditure.
P515TP	Housing (net).	P515P; P515CP.	Housing (net); Housing (net).
P515Tu	Housing (net).	P515U; P515CU.	Housing (net); Housing (net).
P515u	Housing (net).	B102; B104; B107; B108; P281u; P116.	Central heating repairs - second dwelling; Central heating repairs - main dwelling; House maintenance etc - main dwelling; House maintenance etc - second dwelling; Net rent, rates, council tax, water, other housing; Housing - personal expenditure.
P516CP	Housing (gross).	P515CP.	Housing (net).
P516CU	Housing (gross).	P515CU.	Housing (net).
P516p	Housing (gross).	P220p; P515p.	Rent   rate   council tax rebate or allowance; Housing (net).
P516TP	Housing (gross).	P516P; P516CP.	Housing (gross); Housing (gross).
P516TU	Housing (gross).	P516U; P516CU.	Housing (gross); Housing (gross).
P516u	Housing (gross).	P220u; P515u.	Rent   rate   council tax rebate or allowance Housing (net).
P517c	Fuel, light & power.	P117c.	Fuel etc - personal expenditure.
P517T	Fuel, light & power.	P517; P517C.	Fuel, light & power; Fuel, light & power.
P518	Food.	B260; P118.	School meals - total amount paid last week; Food - personal expenditure.
P518C	Food.	B260C; P118c.	School meals - total amount paid last week; Food - personal expenditure.
P518T	Food.	B260T; P118t.	School meals - total amount paid last week; Food - personal expenditure.

<b>P519</b>	<b>Alcoholic drink.</b>	<b>P119.</b>	<b>Alcoholic drink - personal expenditure.</b>
<b>P519c</b>	<b>Alcoholic drink.</b>	<b>P119c.</b>	<b>Alcoholic drink - personal expenditure.</b>
<b>P519T</b>	<b>Alcoholic drink.</b>	<b>P519; P519C.</b>	<b>Alcoholic drink; Alcoholic drink.</b>
<b>P520</b>	<b>Tobacco.</b>	<b>P120.</b>	<b>Tobacco - personal expenditure.</b>
<b>P520c</b>	<b>Tobacco.</b>	<b>P120c.</b>	<b>Tobacco - personal expenditure.</b>
<b>P520T</b>	<b>Tobacco.</b>	<b>P520; P520C.</b>	<b>Tobacco; Tobacco.</b>
<b>P521</b>	<b>Clothing and footwear.</b>	<b>P121.</b>	<b>Clothing, footwear - personal expenditure.</b>
<b>P521C</b>	<b>Clothing and footwear.</b>	<b>P121c.</b>	<b>Clothing, footwear - personal expenditure.</b>
<b>P521T</b>	<b>Clothing and footwear.</b>	<b>P521; P521C.</b>	<b>Clothing and footwear; Clothing and footwear.</b>
<b>P522c</b>	<b>Household goods.</b>	<b>P130c; C51111c; C51211c.</b>	<b>Household goods (RPI) - personal expenditure; Household furniture and furnishings; Carpets and rugs.</b>
<b>P522T</b>	<b>Household goods.</b>	<b>P522; P522C.</b>	<b>Household goods; Household goods.</b>
<b>P523</b>	<b>Household services.</b>	<b>B159; B166; B1661; B168; B1802; B2081; B273; B280; B281; B282; B283; P131.</b>	<b>Service charge included in rent - amount; Telephone, household share of account (excl mobiles); Mobile telephone account; Contents insurance - amount of last premium; Bank &amp; Building societies charges - net amount last 3 mths; Mortgage protection - amount premium; Moving house; Property transaction - purchase and sale; Property transaction - sale only; Property transaction - purchase only; Property transaction - other payments; Household services (RPI)- personal expenditure.</b>
<b>P523C</b>	<b>Household services.</b>	<b>P131c.</b>	<b>Household services (RPI)- personal expenditure.</b>
<b>P523T</b>	<b>Household services.</b>	<b>P523; P523C.</b>	<b>Household services; Household services.</b>
<b>P524</b>	<b>Personal goods and services.</b>	<b>P132.</b>	<b>Personal goods &amp; services (RPI) - personal expenditure.</b>
<b>P524c</b>	<b>Personal goods</b>	<b>P132c.</b>	<b>Personal goods &amp; services (RPI) - personal expenditure.</b>

	and services.		
P524T	Personal goods and services.	P524; P524C.	Personal goods and services; Personal goods and services.
P525	Motoring expenditure (neg possible).	B187; B188; B244; B2441; B245; B2451; B247; B249; B250; B252; B179; P133.	Vehicle road tax - amount paid last year; Vehicle insurance - amount paid last year; Vehicle - cost of new car   van outright; Vehicle cost of new motor caravan outright; Vehicle - cost of second hand car   van outright; Vehicle cost of 2nd hand motor caravan outright; Vehicle - cost of motorcycles outright; Car or van - servicing: amount paid; Car or van - other works, repairs: amount paid; Motor cycle - services, repairs: amount paid; Vehicle road tax - amount refunded last year; Motoring expenditure (RPI) - personal expenditure.
P525c	Motoring expenditure (neg possible).	P133c.	Motoring expenditure (RPI) - personal expenditure.
P525T	Motoring expenditure (neg possible).	P525; P525C.	Motoring expenditure (neg possible); Motoring expenditure (neg possible).
P526	Fares and other travel costs.	B216; B217; B218; B248; B219; P134.	Bus + tube and/or rail season; Season ticket - bus / coach - total net amount; Season ticket - rail / tube - total net amount; Car leasing - expenditure on; Water travel season ticket; Fares etc (RPI) - personal expenditure.
P526c	Fares and other travel costs.	P134c.	Fares etc (RPI) - personal expenditure.
P526T	Fares and other travel costs.	B216; B217; B218; B219; B248; P134t.	Bus + tube and/or rail season; Season ticket - bus / coach - total net amount; Season ticket - rail / tube - total net amount; Water travel season ticket; Car leasing - expenditure on; Fares etc (RPI) - personal expenditure.
P527	Leisure goods.	P135.	Leisure goods (RPI) - personal expenditure.
P527c	Leisure goods.	P135c.	Leisure goods (RPI) - personal expenditure.
P527T	Leisure goods.	P527; P527C.	Leisure goods; Leisure goods.

<b>P528</b>	<b>Leisure services.</b>	<b>B160; B162; B164; B181; B194; B195; B265; B480; B481; B482; B483; B484; B485; B334h; P136.</b>	<b>Education – total amount paid last quarter; Leisure class fees paid - amount; Members outside household – total educ fees for last quarter; TV licence - amount paid last year; Rent/subscription for TV   cable   satellite   VCR - weekly amount; Internet – weekly amount; Maintenance allowance expenditure; Holiday package within United Kingdom; Holiday package outside United Kingdom; Holiday hotel within United Kingdom; Holiday hotel outside United Kingdom; Holiday self-catering within United Kingdom; Holiday self-catering outside United Kingdom; Money sent abroad - household; Leisure services (RPI) - personal expenditure.</b>
<b>P528c</b>	<b>Leisure services.</b>	<b>P136c.</b>	<b>Leisure services (RPI) - personal expenditure.</b>
<b>P528T</b>	<b>Leisure services.</b>	<b>P528; P528C.</b>	<b>Leisure services; Leisure services.</b>
<b>P529c</b>	<b>Fuel, light and power (national accs).</b>	<b>C45411c; C45222c; C45312c; C45412c; C45214c; C45114c.</b>	<b>Coal and coke; Bottled gas - other; Paraffin; Wood and peat; Gas slot meter payment; Electricity slot meter payment.</b>
<b>P529t</b>	<b>Fuel, light and power (national accs).</b>	<b>P529; P529c.</b>	<b>Fuel, light and power (national accs); Fuel, light and power (national accs).</b>
<b>P530</b>	<b>Permanent second dwelling.</b>	<b>B101; B102; B106; B108; P129.</b>	<b>Central heating installed - second dwelling; Central heating repairs - second dwelling; House extensions etc - second dwelling; House maintenance etc - second dwelling; Second dwelling - personal expenditure..</b>
<b>P530c</b>	<b>Permanent second dwelling.</b>	<b>P129c.</b>	<b>Second dwelling - personal expenditure..</b>
<b>P530T</b>	<b>Permanent second</b>	<b>P530; P530C.</b>	<b>Permanent second dwelling; Permanent second dwelling.</b>

	<b>dwelling.</b>		
<b>P531</b>	<b>Other payments (neg acceptable).</b>	<b>B101; B103; B105; B106; B1961; B1981; B200; B2011; B203; B228; B229; P087; B150; P128.</b>	<b>Central heating installed - second dwelling; Central heating installed - main dwelling; House extensions etc - main dwelling; House extensions etc - second dwelling; Life insurance - amount premium; Endowment policies - amount premium; Mortgage interest / principle - last payment; Mortgage endowment policy - amount premium; Mixed mortgage - last payment; Personal pensions; Medical insurance - total amount premium; Other insurance - including deductions from wages; Mortgage interest / principle - interest paid; Other payments - personal expenditure.</b>
<b>P531c</b>	<b>Other payments (neg acceptable).</b>	<b>P128c.</b>	<b>Other payments - personal expenditure.</b>
<b>P531T</b>	<b>Other payments (neg acceptable).</b>	<b>P531; P531C.</b>	<b>Other payments (neg acceptable); Other payments ( neg acceptable ).</b>
<b>P532</b>	<b>Purchase of dwelling   improvements &amp; mort pay.</b>	<b>B101; B103; B105; B106; B130; B200; B203; P127.</b>	<b>Central heating installed - second dwelling; Central heating installed - main dwelling; House extensions etc - main dwelling; House extensions etc - second dwelling; Mortgage interest only - last payment; Mortgage interest / principle - last payment; Mixed mortgage - last payment; Purchase of dwelling &amp; capital improvement.</b>
<b>P535CP</b>	<b>ONS housing (gross ).</b>	<b>P515CP.</b>	<b>Housing (net).</b>
<b>P535CU</b>	<b>ONS housing (gross ).</b>	<b>P515CU.</b>	<b>Housing (net).</b>
<b>P535p</b>	<b>ONS housing (gross ).</b>	<b>P220p; P515p.</b>	<b>Rent   rate   council tax rebate or allowance; Housing (net).</b>
<b>P535Tp</b>	<b>ONS housing (gross ).</b>	<b>P535P; P535Cp.</b>	<b>ONS housing ( gross ); ONS housing ( gross ).</b>



P535Tu	ONS housing (gross).	P535u; P535Cu.	ONS housing ( gross ); ONS housing ( gross ).
P535u	ONS housing (gross).	P220u; P515u.	Rent   rate   council tax rebate or allowance Housing (net).
P536CP	ONS housing (net).	P116c.	Housing - personal expenditure.
P536CU	ONS housing (net).	P116c.	Housing - personal expenditure.
P536p	ONS housing (net).	P116; P281p; B102; B104; B107; B108.	Housing - personal expenditure; Net rent, rates, council tax, water, other housing; Central heating repairs - second dwelling; Central heating repairs - main dwelling; House maintenance etc - main dwelling; House maintenance etc - second dwelling.
P536tp	ONS housing (net).	P536p; P536cp.	ONS housing (net); ONS housing (net).
P536tu	ONS housing (net).	P536u; P536cu.	ONS housing (net); ONS housing (net).
P536u	ONS housing (net).	P116; P281u; B102; B104; B107; B108.	Housing - personal expenditure; Net rent, rates, council tax, water, other housing; Central heating repairs - second dwelling; Central heating repairs - main dwelling; House maintenance etc - main dwelling; House maintenance etc - second dwelling.
P537	ONS fuel, light and power.	B017; B018; B170; B175; B223; B224; B178; B173; P117.	Oil for central heating cost last quarter; Bottled gas for central heating - amount; Gas - amount paid in last account; Electricity - amount paid in last account; MISSING; MISSING; Electricity - amount last rebate; Gas - amount last rebate; Fuel etc - personal expenditure.
P537c	ONS fuel, light and power.	P117c.	Fuel etc - personal expenditure.
P537t	ONS fuel, light and power.	P537; P537c.	ONS fuel, light and power; ONS fuel, light and power.
P538	ONS food.	B260; P118.	School meals - total amount paid last week; Food - personal expenditure.
P538c	ONS food.	P118c.	Food - personal expenditure.

P538t	ONS food.	P518t.	Food.
P539	ONS alcoholic drink.	P119.	Alcoholic drink - personal expenditure.
P539c	ONS alcoholic drink.	P119c.	Alcoholic drink - personal expenditure.
P539t	ONS alcoholic drink.	P539; P539c.	ONS alcoholic drink; ONS alcoholic drink.
P540	ONS tobacco.	P120.	Tobacco - personal expenditure.
P540c	ONS tobacco.	P120c.	Tobacco - personal expenditure.
P540t	ONS tobacco.	P540; P540c.	ONS tobacco; ONS tobacco.
P541	ONS clothing and footwear.	P121.	Clothing, footwear - personal expenditure.
P541c	ONS clothing and footwear.	P121c.	Clothing, footwear - personal expenditure.
P541t	ONS clothing and footwear.	P541; P541c.	ONS clothing and footwear; ONS clothing and footwear.
P542	ONS household goods.	B270; B271; P130.	Furniture; Soft floor coverings; Household goods (RPI) - personal expenditure.
P542c	ONS household goods.	P130c.	Household goods (RPI) - personal expenditure.
P542t	ONS household goods.	P542; P542c.	ONS household goods; ONS household goods.
P543	ONS household services.	P523.	Household services.
P543c	ONS household services.	P523c.	Household services.
P543t	ONS household services.	P543; P543c.	ONS household services; ONS household services.
P544	ONS personal goods and services.	P132.	Personal goods & services (RPI) - personal expenditure.

<b>P544c</b>	<b>ONS personal goods and services.</b>	<b>P132c.</b>	<b>Personal goods &amp; services (RPI) - personal expenditure.</b>
<b>P544t</b>	<b>ONS personal goods and services.</b>	<b>P544; P544c.</b>	<b>ONS personal goods and services; ONS personal goods and services.</b>
<b>P545</b>	<b>ONS motoring expenditure (negs possible).</b>	<b>B187; B188; B244; B2441; B245; B2451; B247; B249; B250; B252; B179; P133.</b>	<b>Vehicle road tax - amount paid last year; Vehicle insurance - amount paid last year; Vehicle - cost of new car   van outright; Vehicle cost of new motor caravan outright; Vehicle - cost of second hand car   van outright; Vehicle cost of 2nd hand motor caravan outright; Vehicle - cost of motorcycles outright; Car or van - servicing: amount paid; Car or van - other works, repairs: amount paid; Motor cycle - services, repairs: amount paid; Vehicle road tax - amount refunded last year; Motoring expenditure (RPI) - personal expenditure.</b>
<b>P545c</b>	<b>ONS motoring expenditure (negs possible).</b>	<b>P133c.</b>	<b>Motoring expenditure (RPI) - personal expenditure.</b>
<b>P545t</b>	<b>ONS motoring expenditure (negs possible).</b>	<b>P545; P545c.</b>	<b>ONS motoring expenditure (negs possible); ONS motoring expenditure (negs possible).</b>
<b>P546</b>	<b>ONS fares and other travel costs.</b>	<b>B216; B217; B218; B219; B248; P134.</b>	<b>Bus + tube and/or rail season; Season ticket - bus / coach - total net amount; Season ticket - rail / tube - total net amount; Water travel season ticket; Car leasing - expenditure on; Fares etc (RPI) - personal expenditure.</b>
<b>P546c</b>	<b>ONS fares and other travel costs.</b>	<b>P134c.</b>	<b>Fares etc (RPI) - personal expenditure.</b>
<b>P546t</b>	<b>ONS fares and other travel costs.</b>	<b>B216; B217; B218; B219; B248; P134t.</b>	<b>Bus + tube and/or rail season; Season ticket - bus / coach - total net amount; Season ticket - rail / tube - total net amount; Water travel season ticket; Car leasing - expenditure on; Fares etc (RPI) - personal expenditure.</b>

P547	ONS leisure goods.	P135.	Leisure goods (RPI) - personal expenditure.
P547c	ONS leisure goods.	P135c.	Leisure goods (RPI) - personal expenditure.
P547t	ONS leisure goods.	P547; P547c.	ONS leisure goods; ONS leisure goods.
P548	ONS leisure services.	P528.	Leisure services.
P548c	ONS leisure services.	P136c.	Leisure services (RPI) - personal expenditure.
P548t	ONS leisure services.	P548; P548c.	ONS leisure services; ONS leisure services.
P549	Miscellaneous.	B237; B238; P126.	Credit card interest payments; Annual standing charge for credit cards weekly amnt; Miscellaneous - personal expenditure.
P549c	Miscellaneous.	P126c.	Miscellaneous - personal expenditure.
P549t	Miscellaneous.	B237; B238; P126t.	Credit card interest payments; Annual standing charge for credit cards weekly amnt; Miscellaneous - personal expenditure.
P550cp	Total expenditure.	P515cp; P537C; P538C; P539C; P540C; P541C; P542C; P543C; P544C; P545C; P546C; P547C; P548C; P549C.	Housing (net); ONS fuel, light and power; ONS food; ONS alcoholic drink; ONS tobacco; ONS clothing and footwear; ONS household goods; ONS household services; ONS personal goods and services; ONS motoring expenditure (negs possible); ONS fares and other travel costs; ONS leisure goods; ONS leisure services; Miscellaneous.
p550cu	Total expenditure.	P515cu; P537C; P538C; P539C; P540C; P541C; P542C; P543C; P544C; P545C; P546C; P547C; P548C; P549C.	Housing (net); ONS fuel, light and power; ONS food; ONS alcoholic drink; ONS tobacco; ONS clothing and footwear; ONS household goods; ONS household services; ONS personal goods and services; ONS motoring expenditure (negs possible); ONS fares and other travel costs; ONS leisure goods; ONS leisure services; Miscellaneous.

<b>P550p</b>	<b>Total expenditure.</b>	<b>P536p; P537; P538; P539; P540; P541; P542; P543; P544; P545; P546; P547; P548; P549.</b>	<b>ONS housing (net); ONS fuel, light and power; ONS food; ONS alcoholic drink; ONS tobacco; ONS clothing and footwear; ONS household goods; ONS household services; ONS personal goods and services; ONS motoring expenditure (negs possible); ONS fares and other travel costs; ONS leisure goods; ONS leisure services; Miscellaneous.</b>
<b>P550tp</b>	<b>Total expenditure.</b>	<b>P536tp; P537T; P538T; P539T; P540T; P541T; P542T; P543T; P544T; P545T; P546T; P547T; P548T; P549T.</b>	<b>ONS housing (net); ONS fuel, light and power; ONS food; ONS alcoholic drink; ONS tobacco; ONS clothing and footwear; ONS household goods; ONS household services; ONS personal goods and services; ONS motoring expenditure (negs possible); ONS fares and other travel costs; ONS leisure goods; ONS leisure services; Miscellaneous.</b>
<b>P550tu</b>	<b>Total expenditure.</b>	<b>P536tu; P537T; P538T; P539T; P540T; P541T; P542T; P543T; P544T; P545T; P546T; P547T; P548T; P549T.</b>	<b>ONS housing (net); ONS fuel, light and power; ONS food; ONS alcoholic drink; ONS tobacco; ONS clothing and footwear; ONS household goods; ONS household services; ONS personal goods and services; ONS motoring expenditure (negs possible); ONS fares and other travel costs; ONS leisure goods; ONS leisure services; Miscellaneous.</b>
<b>P550u</b>	<b>Total expenditure.</b>	<b>P536u; P537; P538; P539; P540; P541; P542; P543; P544; P545; P546; P547; P548; P549.</b>	<b>ONS housing (net); ONS fuel, light and power; ONS food; ONS alcoholic drink; ONS tobacco; ONS clothing and footwear; ONS household goods; ONS household services; ONS personal goods and services; ONS motoring expenditure (negs possible); ONS fares and other travel costs; ONS leisure goods; ONS leisure services; Miscellaneous.</b>
<b>P551cp</b>	<b>Total expenditure.</b>	<b>P550cp.</b>	<b>Total expenditure.</b>
<b>P551cu</b>	<b>Total expenditure.</b>	<b>P550cu.</b>	<b>Total expenditure.</b>

P551p	Total expenditure plus imputed values.	P550p; B259; B263.	Total expenditure; School milk - imputed value last week; Welfare milk - imputed value last week .
P551tp	Total expenditure plus imputed values.	P550tp; B259; B263.	Total expenditure; School milk - imputed value last week; Welfare milk - imputed value last week .
P551tu	Total expenditure plus imputed values.	P550tu; B259; B263.	Total expenditure; School milk - imputed value last week; Welfare milk - imputed value last week .
P551u	Total expenditure plus imputed values.	P550u; B259; B263.	Total expenditure; School milk - imputed value last week; Welfare milk - imputed value last week .
P552	Fares - national accounts.	P546; C92112.	ONS fares and other travel costs; Purchase of caravans, mobile homes (including decoration).
P552c	Fares - national accounts.	P546c.	ONS fares and other travel costs.
P552t	Fares - national accounts.	P546t; C92112.	ONS fares and other travel costs; Purchase of caravans, mobile homes (including decoration).
P553	Miscellaneous - national accounts.	CC3221; B395; B397.	Other personal effects n.e.c.; Children's investments/accounts income - amount received; Children's job/other income – amount received.
P553C	Miscellaneous - national accounts.	CC3221C.	Other personal effects n.e.c..
P553t	Miscellaneous - national accounts.	CC3221; B395; B397; CC3221C.	Other personal effects n.e.c.; .; Children's investments/accounts income - amount received; Children's job/other income – amount received.; Other personal effects n.e.c..

<b>P554CP</b>	<b>Net Housing - national accounts.</b>	<b>C43212C; C55211C; C55212C; C43111C; C43112C; CK1315C; C51114c; C56125c.</b>	<b>Other services for the maintenance and repair of the dwelling; Small tools; Door, electrical and other fittings; Paint, wallpaper, timber; Equipment hire, small materials; Purchase of materials for Capital Improvements; Garden furniture; Nails, nuts, bolts, washers, tape and glue.</b>
<b>P554CU</b>	<b>Net Housing - national accounts.</b>	<b>P554CP.</b>	<b>Net Housing - national accounts.</b>
<b>P554P</b>	<b>Net Housing - national accounts.</b>	<b>B010; B020; B030; B050; B053P; B056P; B060; B102; B104; B107; B108; B110; C55211; C55212; C43111; C43112; CK1315; C51114; C56125.</b>	<b>Rent/rates - last net payment; Net rent - service charge deducted; Domestic rates - last net payment; Water charges - last net payment; Council water tax - weekly amount paid; Council sewerage tax - weekly amount paid; Other regular housing payments; Central heating repairs - second dwelling; Central heating repairs - main dwelling; House maintenance etc - main dwelling; House maintenance etc - second dwelling; Structure insurance - last payment; Small tools; Door, electrical and other fittings; Paint, wallpaper, timber; Equipment hire, small materials; Purchase of materials for Capital Improvements; Garden furniture; Nails, nuts, bolts, washers, tape and glue.</b>
<b>P554tp</b>	<b>Net Housing - national accounts.</b>	<b>P554p; P554cp.</b>	<b>Net Housing - national accounts; Net Housing - national accounts.</b>
<b>P554tu</b>	<b>Net Housing - national accounts.</b>	<b>P554u; P554cu.</b>	<b>Net Housing - national accounts; Net Housing - national accounts.</b>

P554u	Net Housing - national accounts.	B010; B020; B030; B050; B053u; B056u; B060; B102; B104; B107; B108; B110; C55211; C55212; C43111; C43112; CK1315; C51114; C56125.	Rent/rates - last net payment; Net rent - service charge deducted; Domestic rates - last net payment; Water charges - last net payment; Council water tax - weekly amount paid; Council sewerage tax - weekly amount paid; Other regular housing payments; Central heating repairs - second dwelling; Central heating repairs - main dwelling; House maintenance etc - main dwelling; House maintenance etc - second dwelling; Structure insurance - last payment; Small tools; Door, electrical and other fittings; Paint, wallpaper, timber; Equipment hire, small materials; Purchase of materials for Capital Improvements; Garden furniture; Nails, nuts, bolts, washers, tape and glue.
-------	----------------------------------	---	---



P555	Household services - national accounts.	B166; B1661; B168; B1802; B159; B205; B273; C83115; C56211; C56221; C56222; CC4121; CC4122; C31412; C31413; C83112; C83114; C32211; CC3112; C51311; CC7111; CC7112; CC7114; CC7115; CC7116; CC6212; CK4111; CC4112; C41211; C45112.	Telephone, household share of account (excl mobiles); Mobile telephone account; Contents insurance - amount of last premium; Bank & Building societies charges - net amount last 3 mths; Service charge included in rent - amount; Friendly socs - deductions from main pay; Moving house; Second dwelling: telephone account payments; Domestic services, including cleaners, gardeners, au pairs; Cleaning of carpets, curtains and household linen; Other household services; Nursery, creche, playschools; Child care payments; Dry cleaners and dyeing; Laundry, laundrettes; Telephone coin and other payments; Mobile phone - other payments; Repair and hire of footwear; Repairs to personal goods; Repair of furniture, furnishings and floor coverings; Legal fees paid to banks; Legal fees paid to solicitors; Funeral expenses; Other professional fees incl court fines; TU and professional organisations; Bank and Post Office counter charges; Money spent abroad; Home help; Second dwelling - rent; Second dwelling: electricity account payment.
------	---	---	---

P555C	Household services - national accounts.	C83115C; C56211C; C56221C; C56222C; CC4121C; CC4122C; C31412C; C31413C; C83111C; C83112C; C32211C; CC3112C; C51311C; CC7111C; CC7112C; CC7114C; CC7115C; CC7116C; C94243C; C94244C; CC6212C; CK4111C; CC4112C; C83113C.	Second dwelling: telephone account payments; Domestic services, including cleaners, gardeners, au pairs; Cleaning of carpets, curtains and household linen; Other household services; Nursery, creche, playschools; Child care payments; Dry cleaners and dyeing; Laundry, laundrettes; Telephone account payments; Telephone coin and other payments; Repair and hire of footwear; Repairs to personal goods; Repair of furniture, furnishings and floor coverings; Legal fees paid to banks; Legal fees paid to solicitors; Funeral expenses; Other professional fees incl court fines; TU and professional organisations; Subscriptions for leisure activities; Other subscriptions; Bank and Post Office counter charges; Money spent abroad; Home help; Mobile phone account payments.
P555t	Household services - national accounts.	P555; P555c.	Household services - national accounts; Household services - national accounts.
P556	Personal goods & services - national accounts.	B229; CC1312; CC1313; CC1314; CC1315; CC1316; CC1317; CC3111; CC3211; CC3221.	Medical insurance - total amount premium; Toiletries (disposables - tampons, lip balm, toothpaste etc); Bar of soap, liquid soap, shower gel etc; Toilet requisites (durables - razors, hairbrushes, etc); Hair products; Cosmetics and related accessories; Baby toiletries and accessories (disposable); Jewellery, clocks and watches; Leather and travel goods (excluding baby items); Other personal effects n.e.c..

<b>P556C</b>	<b>Personal goods &amp; services - national accounts.</b>	<b>CC1312C; CC1313C; CC1314C; CC1315C; CC1316C; CC1317C; CC3111C; CC3211C; CC3221C.</b>	<b>Toiletries (disposables - tampons, lip balm, toothpaste etc); Bar of soap, liquid soap, shower gel etc; Toilet requisites (durables - razors, hairbrushes, etc); Hair products; Cosmetics and related accessories; Baby toiletries and accessories (disposable); Jewellery, clocks and watches; Leather and travel goods (excluding baby items); Other personal effects n.e.c..</b>
<b>P556t</b>	<b>Personal goods &amp; services - national accounts.</b>	<b>P556; P556c.</b>	<b>Personal goods &amp; services - national accounts; Personal goods &amp; services - national accounts.</b>
<b>P557</b>	<b>Motoring - national accounts.</b>	<b>B187; B188; B244; B2441; B245; B2451; B247; B249; B250; B252; B179; P108; C72112; C72111; C91112; C72113; C72211; C72212; C72213; C72313; C72411; C72114; C72413; C72412; C31315; C72314.</b>	<b>Vehicle road tax - amount paid last year; Vehicle insurance - amount paid last year; Vehicle - cost of new car   van outright; Vehicle cost of new motor caravan outright; Vehicle - cost of second hand car   van outright; Vehicle cost of 2nd hand motor caravan outright; Vehicle - cost of motorcycles outright; Car or van - servicing: amount paid; Car or van - other works, repairs: amount paid; Motor cycle - services, repairs: amount paid; Vehicle road tax - amount refunded last year; New cars - purchase price; Car / van spare parts; Car / van accessories and fittings; Audio equipment - in car; Motorcycle accessories and spare parts; Petrol; Diesel oil; Other motor oils; Motoring organisation subscription (eg AA and RAC); Parking fees, tolls, and permits (excluding motoring fines); Anti-freeze, battery water, cleaning materials; Driving lessons; Garage rent, MOT etc; Protective head gear (crash helmets); Car washing and breakdown services;.</b>

P557C	Motoring - national accounts.	C71111C; C71121C; C71211C; C72311C; C72112C; C72111C; C91112C; C72312C; C72113C; C72211C; C72212C; C72213C; C72313C; C72411C; C72114C; C72413C; C72412C.	Outright purchase of new car/van; Outright purchase of second-hand car/van; Outright purchase of new or second-hand motorcycle; Car or van repairs and servicing; Car / van spare parts; Car / van accessories and fittings; Audio equipment - in car; Motor cycle repairs, service; Motorcycle accessories and spare parts; Petrol; Diesel oil; Other motor oils; Motoring organisation subscription (eg AA and RAC); Parking fees, tolls, and permits (excluding motoring fines); Anti-freeze, battery water, cleaning materials; Driving lessons; Garage rent, MOT etc.
P557t	Motoring - national accounts.	P557; P557c.	Motoring - national accounts; Motoring - national accounts.
P558	Leisure services - national accounts.	B160; B162; B164; B181; B194; B195; B480; B482; B483; B484; B485; C94113; C94211; C94212; C94241; C94242; C94112; C94111; C94311; C94312; C94313; C94236; C91127; C94245; C94314; C94315; C94316; C94319; C9431A; C9431B.	Education – total amount paid last quarter; Leisure class fees paid - amount; Members outside household – total educ fees for last quarter; TV licence - amount paid last year; Rent/subscription for TV   cable   satellite   VCR - weekly amount; Internet – weekly amount; Holiday package within United Kingdom; Holiday hotel within United Kingdom; Holiday hotel outside United Kingdom; Holiday self-catering within United Kingdom; Holiday self-catering outside United Kingdom; Subscriptions to sports and social clubs; Cinemas; Live entertainment: theatre, concerts, shows; Admissions to clubs, dances, discos, bingo; Social events and gatherings; Participant sports (excluding subscriptions); Spectator sports: admission charges; Football pools stakes; Bingo stakes excluding admission; Lottery (not National Irish Lottery) stakes; TV slot meter payments; Cable TV connection; Internet subscription fees; Bookmaker, tote, other betting stakes; Irish Lottery Stakes; National Lottery instants - Scratchcards; National Lottery stakes ; Football pools winnings; Bingo winnings.

<b>P558C</b>	<b>Leisure services - national accounts.</b>	<b>C94113C; C94211C; C94212C; C94241C; C94242C; C94112C; C94111C; C94311C; C94312C; C94313C; C94231C; C94236C; C94237C; C94233C; C91127C; C94245C; C94114C.</b>	<b>Subscriptions to sports and social clubs; Cinemas; Live entertainment: theatre, concerts, shows; Admissions to clubs, dances, discos, bingo; Social events and gatherings; Participant sports (excluding subscriptions); Spectator sports: admission charges; Football pools stakes; Bingo stakes excluding admission; Lottery (not National Irish Lottery) stakes; TV licence payments; TV slot meter payments; TV, video recorder and satellite TV rental; Satellite TV subscription; Cable TV connection; Internet subscription fees; Fees for leisure classes;.</b>
<b>P558t</b>	<b>Leisure services - national accounts.</b>	<b>P558; P558c.</b>	<b>Leisure services - national accounts; Leisure services - national accounts.</b>
<b>P559</b>	<b>Miscellaneous services - national accounts.</b>	<b>B237; B238; B265; B334h; CC6214; CC4111.</b>	<b>Credit card interest payments; Annual standing charge for credit cards weekly amnt; Maintenance allowance expenditure; Money sent abroad - household; Commission travellers cheques and currency; Residential homes.</b>
<b>P559C</b>	<b>Miscellaneous services - national accounts.</b>	<b>CC6214C.</b>	<b>Commission travellers cheques and currency.</b>
<b>P559t</b>	<b>Miscellaneous services - national accounts.</b>	<b>P559; P559c.</b>	<b>Miscellaneous services - national accounts; Miscellaneous services - national accounts.</b>

<b>P560cp</b>	<b>Total expenditure - national accounts.</b>	<b>P529c; P538c; P539c; P540c; P541c; P542c; P547c; P552c; P553c; P554cp; P555c; P556c; P557c; P558c; P559c.</b>	<b>Fuel, light and power (national accs); ONS food; ONS alcoholic drink; ONS tobacco; ONS clothing and footwear; ONS household goods; ONS leisure goods; Fares - national accounts; Miscellaneous - national accounts; Net Housing - national accounts; Household services - national accounts; Personal goods &amp; services - national accounts; Motoring - national accounts; Leisure services - national accounts; Miscellaneous services - national accounts.</b>
<b>P560cu</b>	<b>Total expenditure - national accounts.</b>	<b>P529c; P538c; P539c; P540c; P541c; P542c; P547c; P552c; P553c; P554cu; P555c; P556c; P557c; P558c; P559c.</b>	<b>Fuel, light and power (national accs); ONS food; ONS alcoholic drink; ONS tobacco; ONS clothing and footwear; ONS household goods; ONS leisure goods; Fares - national accounts; Miscellaneous - national accounts; Net Housing - national accounts; Household services - national accounts; Personal goods &amp; services - national accounts; Motoring - national accounts; Leisure services - national accounts; Miscellaneous services - national accounts.</b>
<b>P560p</b>	<b>Total expenditure - national accounts.</b>	<b>P529; P538; P539; P540; P541; P542; P547; P552; P553; P554p; P555; P556; P557; P558; P559.</b>	<b>Fuel, light and power (national accs); ONS food; ONS alcoholic drink; ONS tobacco; ONS clothing and footwear; ONS household goods; ONS leisure goods; Fares - national accounts; Miscellaneous - national accounts; Net Housing - national accounts; Household services - national accounts; Personal goods &amp; services - national accounts; Motoring - national accounts; Leisure services - national accounts; Miscellaneous services - national accounts.</b>

<b>P560tp</b>	<b>Total expenditure - national accounts.</b>	<b>P529t; P538t; P539t; P540t; P541t; P542t; P547t; P552t; P553t; P554tp; P555t; P556t; P557t; P558t; P559t.</b>	<b>Fuel, light and power (national accs); ONS food; ONS alcoholic drink; ONS tobacco; ONS clothing and footwear; ONS household goods; ONS leisure goods; Fares - national accounts; Miscellaneous - national accounts; Net Housing - national accounts; Household services - national accounts; Personal goods &amp; services - national accounts; Motoring - national accounts; Leisure services - national accounts; Miscellaneous services - national accounts.</b>
<b>P560tu</b>	<b>Total expenditure - national accounts.</b>	<b>P529t; P538t; P539t; P540t; P541t; P542t; P547t; P552t; P553t; P554tu; P555t; P556t; P557t; P558t; P559t.</b>	<b>Fuel, light and power (national accs); ONS food; ONS alcoholic drink; ONS tobacco; ONS clothing and footwear; ONS household goods; ONS leisure goods; Fares - national accounts; Miscellaneous - national accounts; Net Housing - national accounts; Household services - national accounts; Personal goods &amp; services - national accounts; Motoring - national accounts; Leisure services - national accounts; Miscellaneous services - national accounts.</b>
<b>P560u</b>	<b>Total expenditure - national accounts.</b>	<b>P529; P538; P539; P540; P541; P542; P547; P552; P553; P554u; P555; P556; P557; P558; P559.</b>	<b>Fuel, light and power (national accs); ONS food; ONS alcoholic drink; ONS tobacco; ONS clothing and footwear; ONS household goods; ONS leisure goods; Fares - national accounts; Miscellaneous - national accounts; Net Housing - national accounts; Household services - national accounts; Personal goods &amp; services - national accounts; Motoring - national accounts; Leisure services - national accounts; Miscellaneous services - national accounts.</b>

<b>P563</b>	<b>Subscriptions and donations - national accounts.</b>	<b>B1802; B205; B273; C83115; CC7111; CC7112; CC7113; CC7114; CC7115; CC7116; C94243; C94244; CC6212; CK4111; C44211; C41211; C45112; C45212; C94232; C44112u.</b>	<b>Bank &amp; Building societies charges - net amount last 3 mths; Friendly socs - deductions from main pay; Moving house; Second dwelling: telephone account payments; Legal fees paid to banks; Legal fees paid to solicitors; Other payments for services eg photocopying; Funeral expenses; Other professional fees incl court fines; TU and professional organisations; Subscriptions for leisure activities; Other subscriptions; Bank and Post Office counter charges; Money spent abroad; Refuse collection, including skip hire; Second dwelling - rent; Second dwelling: electricity account payment; Second dwelling: gas account payment; TV licence payments (Second dwelling); Water supply – second dwelling.</b>
<b>P563C</b>	<b>Subscriptions and donations - national accounts.</b>	<b>C83115C; CC7116C; C94243C; C94244C; CC6212C; CK4111C; CC7111C; CC7112C; CC7115C; CC7114C; CC7113C; C44211C.</b>	<b>Second dwelling: telephone account payments; TU and professional organisations; Subscriptions for leisure activities; Other subscriptions; Bank and Post Office counter charges; Money spent abroad; Legal fees paid to banks; Legal fees paid to solicitors; Other professional fees incl court fines; Funeral expenses; Other payments for services eg photocopying; Refuse collection, including skip hire.</b>
<b>P563t</b>	<b>Subscriptions and donations - national accounts.</b>	<b>P563; P563c.</b>	<b>Subscriptions and donations - national accounts; Subscriptions and donations - national accounts.</b>



<b>P564</b>	<b>Running of motor vehicles - national accounts.</b>	<b>B187; B188; B249; B250; B179; C72211; C72212; C72213; C72313; C72314; C72411; C72114; C72413; C72412.</b>	<b>Vehicle road tax - amount paid last year; Vehicle insurance - amount paid last year; Car or van - servicing: amount paid; Car or van - other works, repairs: amount paid; Vehicle road tax - amount refunded last year; Petrol; Diesel oil; Other motor oils; Motoring organisation subscription (eg AA and RAC); Car washing and breakdown services; Parking fees, tolls, and permits (excluding motoring fines); Anti-freeze, battery water, cleaning materials; Driving lessons; Garage rent, MOT etc.</b>
<b>P564C</b>	<b>Running of motor vehicles - national accounts.</b>	<b>C72211C; C72212C; C72213C; C72313C; C72314C; C72411C; C72114C; C72413C; C72412C.</b>	<b>Petrol; Diesel oil; Other motor oils; Motoring organisation subscription (eg AA and RAC); Car washing and breakdown services; Parking fees, tolls, and permits (excluding motoring fines); Anti-freeze, battery water, cleaning materials; Driving lessons; Garage rent, MOT etc.</b>
<b>P564t</b>	<b>Running of motor vehicles - national accounts.</b>	<b>P564; P564c.</b>	<b>Running of motor vehicles - national accounts; Running of motor vehicles - national accounts.</b>
<b>P565</b>	<b>Other travel - national accounts.</b>	<b>B216; B217; B219; C73512; C73411; C73213; C72414; C73214.</b>	<b>Bus + tube and/or rail season; Season ticket - bus / coach - total net amount; Water travel season ticket; Combined fares other than season tickets; Water travel; Taxis and hired cars with drivers; Hire of self-drive cars, vans, bicycles; Other personal travel.</b>
<b>P565c</b>	<b>Other travel - national accounts.</b>	<b>C73512C; C73411C; C73513C; C73213C; C72414C; C73214C.</b>	<b>Combined fares other than season tickets; Water travel; School travel; Taxis and hired cars with drivers; Hire of self-drive cars, vans, bicycles; Other personal travel.</b>
<b>P565t</b>	<b>Other travel - national accounts.</b>	<b>P565; P565c.</b>	<b>Other travel - national accounts; Other travel - national accounts.</b>

<b>P600</b>	<b>EFS: Total consumption expenditure.</b>	<b>P601; P602; P603; P604; P605; P606; P607; P608; P609; P610; P611; P612.</b>	<b>EFS: Total Food and non-alcoholic beverage; EFS: Total Alcoholic Beverages, Tobacco; EFS: Total Clothing and Footwear; EFS: Total Housing, Water, Electricity; EFS: Total Furnishings, HH Equipment, Carpets; EFS: Total Health Expenditure; EFS: Total Transport costs; EFS: Total Communication; EFS: Total Recreation - adult; EFS: Total Education; EFS: Total Restaurants and Hotels; EFS: Total Miscellaneous Goods and Services.</b>
<b>P600c</b>	<b>EFS: Total consumption expenditure.</b>	<b>P601c; P602c; P603c; P604c; P605c; P606c; P607c; P608c; P609c; P610c; P611c; P612c.</b>	<b>EFS: Total Food and non-alcoholic beverage; EFS: Total Alcoholic Beverages, Tobacco; EFS: Total Clothing and Footwear; EFS: Total Housing, Water, Electricity; EFS: Total Furnishings, HH Equipment, Carpets; EFS: Total Health Expenditure; EFS: Total Transport costs; EFS: Total Communication; EFS: Total Recreation -child; EFS: Total Education; EFS: Total Restaurants and Hotels; EFS: Total Miscellaneous Goods and Services.</b>
<b>P600t</b>	<b>EFS: Total consumption expenditure.</b>	<b>P601t; P602t; P603t; P604t; P605t; P606t; P607t; P608t; P609t; P610t; P611t; P612t.</b>	<b>EFS: Total Food and non-alcoholic beverage; EFS: Total Alcoholic Beverages, Tobacco; EFS: Total Clothing and Footwear; EFS: Total Housing, Water, Electricity; EFS: Total Furnishings, HH Equipment, Carpets; EFS: Total Health Expenditure; EFS: Total Transport costs; EFS: Total Communication; EFS: Total Recreation- total; EFS: Total Education; EFS: Total Restaurants and Hotels; EFS: Total Miscellaneous Goods and Services.</b>

P601	EFS: Total Food and non-alcoholic beverage.	C11111t; C11121t; C11122t; C11131t; C11141t; C11142t; C11151t; C11211t; C11221t; C11231t; C11241t; C11251t; C11252t; C11253t; C11261t; C11271t; C11311t; C11321t; C11331t; C11341t; C11411t; C11421t; C11431t; C11441t; C11451t; C11461t; C11471t; C11511t; C11521t; C11522t; C11531t; C11541t; C11551t; C11611t; C11621t; C11631t; C11641t; C11651t; C11661t; C11671t; C11681t; C11691t; C11711t; C11721t; C11731t; C11741t; C11751t; C11761t; C11771t; C11781t; C11811t; C11821t; C11831t; C11841t; C11851t; C11861t; C11911t; C11921t; C11931t; C11941t; C12111t; C12121t; C12131t; C12211t; C12221t; C12231t; C12241t.	Rice; Bread; Buns, crispbread and biscuits; Pasta products; Cakes and puddings; Pastry (savoury); Other breads and cereals; Beef (fresh, chilled or frozen); Pork (fresh, chilled or frozen); Lamb (fresh, chilled or frozen); Poultry (fresh, chilled or frozen); Sausages; Bacon and ham; Offal, pâté etc; Other preserved or processed meat and meat preparations; Other fresh, chilled or frozen edible meat; Fish (fresh, chilled or frozen); Seafood (fresh, chilled or frozen); Dried, smoked or salted fish and seafood; Other preserved or processed fish & seafood and preparations; Whole milk; Low fat milk; Preserved milk; Yoghurt; Cheese and curd; Other milk products; Eggs; Butter; Margarine and other vegetable fats; Peanut butter; Olive oil; Edible oils; Other edible animal fats; Citrus fruits (fresh); Bananas (fresh); Apples (fresh); Pears (fresh); Stone fruits (fresh); Berries (fresh); Other fresh, chilled or frozen fruits; Dried fruit and nuts; Preserved fruit and fruit-based products; Leaf and stem vegetables (fresh or chilled); Cabbages (fresh or chilled); Vegetables grown for their fruit (fresh, chilled or frozen); Root crops, non-starchy bulbs & mushrooms (fresh or frozen); Dried vegetables; Other preserved or processed vegetables; Potatoes; Other tubers and products of tuber vegetables; Sugar; Jams, marmalades; Chocolate; Confectionery products; Edible ices and ice-cream; Other sugar products; Sauces, condiments; Salt, spices and culinary herbs; Baker's yeast, dessert preparations, soups; Other food products; Coffee; Tea; Cocoa and powdered chocolate; Mineral or spring waters; Soft drinks (Fizzy drinks and juice drink); Fruit juices (Pure fruit juice and squash); Vegetable juices.
------	---	--	---

P601c	EFS: Total Food and non-alcoholic beverage.	C11111t; C11121t; C11122t; C11131t; C11141t; C11142t; C11151t; C11211t; C11221t; C11231t; C11241t; C11251t; C11252t; C11253t; C11261t; C11271t; C11311t; C11321t; C11331t; C11341t; C11411t; C11421t; C11431t; C11441t; C11451t; C11461t; C11471t; C11511t; C11521t; C11522t; C11531t; C11541t; C11551t; C11611t; C11621t; C11631t; C11641t; C11651t; C11661t; C11671t; C11681t; C11691t; C11711t; C11721t; C11731t; C11741t; C11751t; C11761t; C11771t; C11781t; C11811t; C11821t; C11831t; C11841t; C11851t; C11861t; C11911t; C11921t; C11931t; C11941t; C12111t; C12121t; C12131t; C12211t; C12221t; C12231t; C12241t.	Rice; Bread; Buns, crispbread and biscuits; Pasta products; Cakes and puddings; Pastry (savoury); Other breads and cereals; Beef (fresh, chilled or frozen); Pork (fresh, chilled or frozen); Lamb (fresh, chilled or frozen); Poultry (fresh, chilled or frozen); Sausages; Bacon and ham; Offal, pâté etc; Other preserved or processed meat and meat preparations; Other fresh, chilled or frozen edible meat; Fish (fresh, chilled or frozen); Seafood (fresh, chilled or frozen); Dried, smoked or salted fish and seafood; Other preserved or processed fish & seafood and preparations; Whole milk; Low fat milk; Preserved milk; Yoghurt; Cheese and curd; Other milk products; Eggs; Butter; Margarine and other vegetable fats; Peanut butter; Olive oil; Edible oils; Other edible animal fats; Citrus fruits (fresh); Bananas (fresh); Apples (fresh); Pears (fresh); Stone fruits (fresh); Berries (fresh); Other fresh, chilled or frozen fruits; Dried fruit and nuts; Preserved fruit and fruit-based products; Leaf and stem vegetables (fresh or chilled); Cabbages (fresh or chilled); Vegetables grown for their fruit (fresh, chilled or frozen); Root crops, non-starchy bulbs & mushrooms (fresh or frozen); Dried vegetables; Other preserved or processed vegetables; Potatoes; Other tubers and products of tuber vegetables; Sugar; Jams, marmalades; Chocolate; Confectionery products; Edible ices and ice-cream; Other sugar products; Sauces, condiments; Salt, spices and culinary herbs; Baker's yeast, dessert preparations, soups; Other food products; Coffee; Tea; Cocoa and powdered chocolate; Mineral or spring waters; Soft drinks (Fizzy drinks and juice drink); Fruit juices (Pure fruit juice and squash); Vegetable juices.
-------	---	--	---

P601t	EFS: Total Food and non-alcoholic beverage.	C11111t; C11121t; C11122t; C11131t; C11141t; C11142t; C11151t; C11211t; C11221t; C11231t; C11241t; C11251t; C11252t; C11253t; C11261t; C11271t; C11311t; C11321t; C11331t; C11341t; C11411t; C11421t; C11431t; C11441t; C11451t; C11461t; C11471t; C11511t; C11521t; C11522t; C11531t; C11541t; C11551t; C11611t; C11621t; C11631t; C11641t; C11651t; C11661t; C11671t; C11681t; C11691t; C11711t; C11721t; C11731t; C11741t; C11751t; C11761t; C11771t; C11781t; C11811t; C11821t; C11831t; C11841t; C11851t; C11861t; C11911t; C11921t; C11931t; C11941t; C12111t; C12121t; C12131t; C12211t; C12221t; C12231t; C12241t.	Rice; Bread; Buns, crispbread and biscuits; Pasta products; Cakes and puddings; Pastry (savoury); Other breads and cereals; Beef (fresh, chilled or frozen); Pork (fresh, chilled or frozen); Lamb (fresh, chilled or frozen); Poultry (fresh, chilled or frozen); Sausages; Bacon and ham; Offal, pâté etc; Other preserved or processed meat and meat preparations; Other fresh, chilled or frozen edible meat; Fish (fresh, chilled or frozen); Seafood (fresh, chilled or frozen); Dried, smoked or salted fish and seafood; Other preserved or processed fish & seafood and preparations; Whole milk; Low fat milk; Preserved milk; Yoghurt; Cheese and curd; Other milk products; Eggs; Butter; Margarine and other vegetable fats; Peanut butter; Olive oil; Edible oils; Other edible animal fats; Citrus fruits (fresh); Bananas (fresh); Apples (fresh); Pears (fresh); Stone fruits (fresh); Berries (fresh); Other fresh, chilled or frozen fruits; Dried fruit and nuts; Preserved fruit and fruit-based products; Leaf and stem vegetables (fresh or chilled); Cabbages (fresh or chilled); Vegetables grown for their fruit (fresh, chilled or frozen); Root crops, non-starchy bulbs & mushrooms (fresh or frozen); Dried vegetables; Other preserved or processed vegetables; Potatoes; Other tubers and products of tuber vegetables; Sugar; Jams, marmalades; Chocolate; Confectionery products; Edible ices and ice-cream; Other sugar products; Sauces, condiments; Salt, spices and culinary herbs; Baker's yeast, dessert preparations, soups; Other food products; Coffee; Tea; Cocoa and powdered chocolate; Mineral or spring waters; Soft drinks (Fizzy drinks and juice drink); Fruit juices (Pure fruit juice and squash); Vegetable juices.
-------	---	--	---

<b>P602</b>	<b>EFS: Total Alcoholic Beverages, Tobacco.</b>	<b>C21111; C21211; C21212; C21213; C21214; C21221; C21311; C22111; C22121; C22131; C23111.</b>	<b>Spirits and liqueurs (brought home); Wine from grape or other fruit (brought home); Fortified wine (brought home); Ciders and Perry (brought home); Alcopops (brought home); Champagne and sparkling wines (brought home); Beer and lager (brought home); Cigarettes; Cigars; Other tobacco; Narcotics.</b>
<b>P602c</b>	<b>EFS: Total Alcoholic Beverages, Tobacco.</b>	<b>C21111c; C21211c; C21212c; C21213c; C21214c; C21221c; C21311c; C22111c; C22121c; C22131c; C23111c.</b>	<b>Spirits and liqueurs (brought home); Wine from grape or other fruit (brought home); Fortified wine (brought home); Ciders and Perry (brought home); Alcopops (brought home); Champagne and sparkling wines (brought home); Beer and lager (brought home); Cigarettes; Cigars; Other tobacco; Narcotics.</b>
<b>P602t</b>	<b>EFS: Total Alcoholic Beverages, Tobacco.</b>	<b>C21111t; C21211t; C21212t; C21213t; C21214t; C21221t; C21311t; C22111t; C22121t; C22131t; C23111t.</b>	<b>Spirits and liqueurs (brought home); Wine from grape or other fruit (brought home); Fortified wine (brought home); Ciders and Perry (brought home); Alcopops (brought home); Champagne and sparkling wines (brought home); Beer and lager (brought home); Cigarettes; Cigars; Other tobacco; Narcotics.</b>

P603	EFS: Total Clothing and Footwear.	C31111; C31211; C31212; C31221; C31222; C31231; C31232; C31233; C31234; C31311; C31312; C31313; C31314; C31315; C31411; C31412; C31413; C32111; C32121; C32131; C32211.	Clothing materials; Men's outer garments; Men's under garments; Women's outer garments; Women's under garments; Boy's outer garments (5-15); Girls' outer garments (5-15); Infant's outer garments (under 5); Children's under garments (under 16); Men's accessories; Women's accessories; Members's accessories; Haberdashery; Protective head gear (crash helmets); Clothing hire; Dry cleaners and dyeing; Laundry, laundrettes; Footwear for men; Footwear for women; Footwear for members (5-15) and infants (under 5); Repair and hire of footwear.
P603c	EFS: Total Clothing and Footwear.	C31111c; C31211c; C31212c; C31221c; C31222c; C31231c; C31232c; C31233c; C31234c; C31311c; C31312c; C31313c; C31314c; C31315c; C31411c; C31412c; C31413c; C32111c; C32121c; C32131c; C32211c.	Clothing materials; Men's outer garments; Men's under garments; Women's outer garments; Women's under garments; Boy's outer garments (5-15); Girls' outer garments (5-15); Infant's outer garments (under 5); Children's under garments (under 16); Men's accessories; Women's accessories; Members's accessories; Haberdashery; Protective head gear (crash helmets); Clothing hire; Dry cleaners and dyeing; Laundry, laundrettes; Footwear for men; Footwear for women; Footwear for members and infants; Repair and hire of footwear.

P603t	EFS: Total Clothing and Footwear.	C31111t; C31211t; C31212t; C31221t; C31222t; C31231t; C31232t; C31233t; C31234t; C31311t; C31312t; C31313t; C31314t; C31315t; C31411t; C31412t; C31413t; C32111t; C32121t; C32131t; C32211t.	Clothing materials; Men's outer garments; Men's under garments; Women's outer garments; Women's under garments; Boy's outer garments (5-15); Girls' outer garments (5-15); Infant's outer garments (under 5); Children's under garments (under 16); Men's accessories; Women's accessories; Members's accessories; Haberdashery; Protective head gear (crash helmets); Clothing hire; Dry cleaners and dyeing; Laundry, laundrettes; Footwear for men; Footwear for women; Footwear for members and infants; Repair and hire of footwear.
-------	-----------------------------------	--	---



P604	EFS: Total Housing, Water, Electricity.	B010; B020; B102; B104; B107; B108; B050; B060; B159; B175; B224; B170; B223; B018; B017; B053u; B056u; C41211; C43111; C43112; C44211; C45112; C45114; C45212; C45214; C45222; C45312; C45411; C45412; C45511; C44112u;(-B173); (-B178).	Rent/rates - last net payment; Net rent - service charge deducted; Central heating repairs - second dwelling; Central heating repairs - main dwelling; House maintenance etc - main dwelling; House maintenance etc - second dwelling; Water charges - last net payment; Other regular housing payments; Service charge included in rent - amount; Electricity - amount paid in last account; Electricity - amount of payment; Gas - amount paid in last account; Gas - amount of payment; Bottled gas for central heating - amount; Oil for central heating cost last quarter; Council water tax - weekly amount paid; Council sewerage tax - weekly amount paid; Second dwelling - rent; Paint, wallpaper, timber; Equipment hire, small materials; Refuse collection, including skip hire; Second dwelling: electricity account payment; Electricity slot meter payment; Second dwelling: gas account payment; Gas slot meter payment; Bottled gas - other; Paraffin; Coal and coke; Wood and peat; Hot water, steam and ice; Water supply – second dwelling; [Minus Gas - amount last rebate]; [minus electricity - amount last rebate].
P604c	EFS: Total Housing, Water, Electricity.	C43111c; C43112c; C43212c; C44211c; C45114c; C45214c; C45222c; C45312c; C45411c; C45412c; C45511c.	Paint, wallpaper, timber; Equipment hire, small materials; Other services for the maintenance and repair of the dwelling; Refuse collection, including skip hire; Electricity slot meter payment; Gas slot meter payment; Bottled gas - other; Paraffin; Coal and coke; Wood and peat; Hot water, steam and ice.

P604t	EFS: Total Housing, Water, Electricity.	B010; B020; B102; B104; B107; B108; B050; B060; B159; B175; B224; B170; B223; B018; B017; B053u; B056u; C41211t; C43111t; C43112t; C43212c; C44211t; C45112t; C45114t; C45212t; C45214t; C45222t; C45312t; C45411t; C45412t; C45511t; C44112u; (-B173); (-B178).	Rent/rates - last net payment; Net rent - service charge deducted; Central heating repairs - second dwelling; Central heating repairs - main dwelling; House maintenance etc - main dwelling; House maintenance etc - second dwelling; Water charges - last net payment; Other regular housing payments; Service charge included in rent - amount; Electricity - amount paid in last account; Electricity - amount of payment; Gas - amount paid in last account; Gas - amount of payment; Bottled gas for central heating - amount; Oil for central heating cost last quarter; Council water tax - weekly amount paid; Council sewerage tax - weekly amount paid; Second dwelling - rent; Paint, wallpaper, timber; Equipment hire, small materials; Other services for the maintenance and repair of the dwelling; Refuse collection, including skip hire; Second dwelling: electricity account payment; Electricity slot meter payment; Second dwelling: gas account payment; Gas slot meter payment; Bottled gas - other; Paraffin; Coal and coke; Wood and peat; Hot water, steam and ice; Water supply – second dwelling; [Minus Gas - amount last rebate]; [minus electricity - amount last rebate].
-------	---	--	---

P605	EFS: Total Furnishings, HH Equipment, Carpets.	B270; B271; C51212; C51113; C51114; C51311; C52111; C52112; C53111; C53121; C53122; C53131; C53132; C53133; C53141; C53151; C53161; C53171; C53211; C53311; C53312; C53313; C53314; C54111; C54121; C54131; C54141; C55111; C55112; C55211; C55212; C55213; C55214; C56111; C56112; C56121; C56122; C56123; C56124; C56125; C56211; C56221; C56222; C56223.	Furniture; Soft floor coverings; Hard floor coverings; Fancy decorative goods; Garden furniture; Repair of furniture, furnishings and floor coverings; Bedroom textiles, including duvets and pillows; Other household textiles, including cushions, towels, curtains; Refrigerators, freezers and fridge-freezers; Clothes washing machines and clothes drying machines; Dish washing machines; Gas cookers; Electric cookers, combined gas / electric cookers; Microwave ovens; Heaters, air conditioners, shower units; Vacuum cleaners and steam cleaners; Sewing and knitting machines; Fire extinguisher, water softener, safes etc; Small electric household appliances, excluding hairdryers; Spare parts: gas and electric appliances; Electrical appliance repairs; Gas appliance repairs; Rental/hire of major household appliances; Glassware, china, pottery; Cutlery and silverware; Kitchen utensils; Repair of glassware, tableware and household utensils; Electrical tools; Lawn mowers and related accessories; Small tools; Door, electrical and other fittings; Garden tools and equipment; Electrical consumables; Detergents, washing-up liquid, washing powder; Disinfectants, polishes, other cleaning mats, pest control products; Kitchen disposables; Household hardware and appliances, matches; Kitchen gloves, cloths etc; Pins, needles and tape measures; Nails, nuts, bolts, washers, tape and glue; Domestic services, including cleaners, gardeners, au pairs; Cleaning of carpets, curtains and household linen; Other household services; Hire of household furniture & furnishings.
P605c	EFS: Total Furnishings, HH Equipment, Carpets.	C51111c; C51211c; C51212c.	Household furniture and furnishings; Carpets and rugs; Hard floor coverings.

P605t	EFS: Total Furnishings, HH Equipment, Carpets.	B270; B271; C51111c; C51211c; C51212t; C51113t; C51114t; C51311t; C52111t; C52112t; C53111t; C53121t; C53122t; C53131t; C53132t; C53133t; C53141t; C53151t; C53161t; C53171t; C53211t; C53311t; C53312t; C53313t; C53314t; C54111t; C54121t; C54131t; C54132t; C54141t; C55111t; C55112t; C55211t; C55212t; C55213t; C55214t; C56111t; C56112t; C56121t; C56122t; C56123t; C56124t; C56125t; C56211t; C56221t; C56222t; C56223t.	Furniture; Soft floor coverings; Household furniture and furnishings; Carpets and rugs; Hard floor coverings; Fancy decorative goods; Garden furniture; Repair of furniture, furnishings and floor coverings; Bedroom textiles, including duvets and pillows; Other household textiles, including cushions, towels, curtains; Refrigerators, freezers and fridge-freezers; Clothes washing machines and clothes drying machines; Dish washing machines; Gas cookers; Electric cookers, combined gas / electric cookers; Microwave ovens; Heaters, air conditioners, shower units; Vacuum cleaners and steam cleaners; Sewing and knitting machines; Fire extinguisher, water softener, safes etc; Small electric household appliances, excluding hairdryers; Spare parts: gas and electric appliances; Electrical appliance repairs; Gas appliance repairs; Rental/hire of major household appliances; Glassware, china, pottery; Cutlery and silverware; Kitchen utensils; Storage and other durable household articles; Repair of glassware, tableware and household utensils; Electrical tools; Lawn mowers and related accessories; Small tools; Door, electrical and other fittings; Garden tools and equipment; Electrical consumables; Detergents, washing-up liquid, washing powder; Disinfectants, polishes, other cleaning mats, pest control products; Kitchen disposables; Household hardware and appliances, matches; Kitchen gloves, cloths etc; Pins, needles and tape measures; Nails, nuts, bolts, washers, tape and glue; Domestic services, including cleaners, gardeners, au pairs; Cleaning of carpets, curtains and household linen; Other household services; Hire of household furniture & furnishings.
-------	--	--	---

<b>P606</b>	<b>EFS: Total Health Expenditure.</b>	C61111; C61112; C61211; C61311; C61312; C61313; C62111; C62112; C62113; C62114; C62211; C62212; C62311; C62321; C62322; C62331; C63111.	NHS prescription charges and payments; Medicines and medical goods (not NHS); Other medical products (eg plasters, condoms, tubigrip etc); Purchase of spectacles, lenses, prescription sunglasses; Accessories/repairs to spectacles/lenses; Non-optical appliances and equipment (eg wheelchairs etc); NHS medical services; Private medical services; NHS optical services; Private optical services; NHS dental services; Private dental services; Services of medical analysis laboratories and x-ray centres; Services of NHS medical auxiliaries; Services of private medical auxiliaries; Non-hospital ambulance services; Hospital services.
<b>P606c</b>	<b>EFS: Total Health Expenditure.</b>	C61111c; C61112c; C61211c; C61311c; C61312c; C61313c; C62111c; C62112c; C62113c; C62114c; C62211c; C62212c; C62311c; C62321c; C62322c; C62331c; C63111c.	NHS prescription charges and payments; Medicines and medical goods (not NHS); Other medical products (eg plasters, condoms, tubigrip etc); Purchase of spectacles, lenses, prescription sunglasses; Accessories/repairs to spectacles/lenses; Non-optical appliances and equipment (eg wheelchairs etc); NHS medical services; Private medical services; NHS optical services; Private optical services; NHS dental services; Private dental services; Services of medical analysis laboratories and x-ray centres; Services of NHS medical auxiliaries; Services of private medical auxiliaries; Non-hospital ambulance services; Hospital services.

P606t	EFS: Total Health Expenditure.	C61111t; C61112t; C61211t; C61311t; C61312t; C61313t; C62111t; C62112t; C62113t; C62114t; C62211t; C62212t; C62311t; C62321t; C62322t; C62331t; C63111t.	NHS prescription charges and payments; Medicines and medical goods (not NHS); Other medical products (eg plasters, condoms, tubigrip etc); Purchase of spectacles, lenses, prescription sunglasses; Accessories/repairs to spectacles/lenses; Non-optical appliances and equipment (eg wheelchairs etc); NHS medical services; Private medical services; NHS optical services; Private optical services; NHS dental services; Private dental services; Services of medical analysis laboratories and x-ray centres; Services of NHS medical auxiliaries; Services of private medical auxiliaries; Non-hospital ambulance services; Hospital services.
P607	EFS: Total Transport costs.	B244; B245; B247; B249; B250; B252; B248; B218; B217; B219; B216; C71112; C71122; C71212; C71311; C71411; C72111; C72112; C72113; C72114; C72115; C72211; C72212; C72213; C72313; C72314; C72411; C72412; C72413; C72414; C73112; C73212; C73213; C73214; C73311; C73312; C73411; C73512; C73513; C73611.	Vehicle - cost of new car   van outright; Vehicle - cost of second hand car   van outright; Vehicle - cost of motorcycles outright; Car or van - servicing: amount paid; Car or van - other works, repairs: amount paid; Motor cycle - services, repairs: amount paid; Car leasing - expenditure on; Season ticket - rail / tube - total net amount; Season ticket - bus / coach - total net amount; Water travel season ticket; Bus + tube and/or rail season; Loan / HP purchase of new car/van; Loan / HP purchase of second-hand car/van; Loan / HP purchase of new or second-hand motorcycle; Purchase of bicycle; Animal drawn vehicles; Car / van accessories and fittings; Car / van spare parts; Motorcycle accessories and spare parts; Anti-freeze, battery water, cleaning materials; Bicycle accessories, repairs and other costs; Petrol; Diesel oil; Other motor oils; Motoring organisation subscription (eg AA and RAC); Car washing and breakdown services; Parking fees, tolls, and permits (excluding motoring fines); Garage rent, MOT etc; Driving lessons; Hire of self-drive cars, vans, bicycles; Railway and tube fares other than season tickets; Bus and coach fares other than season tickets; Taxis and hired cars with drivers; Other personal travel; Air fares (within UK); Air fares (international); Water travel; Combined fares other than season tickets; School travel; Delivery charges and other transport services.

P607c	EFS: Total Transport costs.	C71111c; C71121c; C71211c; C71311c; C71411c; C72111c; C72112c; C72113c; C72114c; C72115c; C72211c; C72212c; C72213c; C72311c; C72312c; C72313c; C72314c; C72411c; C72412c; C72413c; C72414c; C73112c; C73212c; C73213c; C73214c; C73311c; C73312c; C73411c; C73512c; C73513c; C73611c.	Outright purchase of new car/van; Outright purchase of second-hand car/van; Outright purchase of new or second-hand motorcycle; Purchase of bicycle; Animal drawn vehicles; Car / van accessories and fittings; Car / van spare parts; Motorcycle accessories and spare parts; Anti-freeze, battery water, cleaning materials; Bicycle accessories, repairs and other costs; Petrol; Diesel oil; Other motor oils; Car or van repairs and servicing; Motor cycle repairs, service; Motoring organisation subscription (eg AA and RAC); Car washing and breakdown services; Parking fees, tolls, and permits (excluding motoring fines); Garage rent, MOT etc; Driving lessons; Hire of self-drive cars, vans, bicycles; Railway and tube fares other than season tickets; Bus and coach fares other than season tickets; Taxis and hired cars with drivers; Other personal travel; Air fares (within UK); Air fares (international); Water travel; Combined fares other than season tickets; School travel; Delivery charges and other transport services.
P607t	EFS: Total Transport costs.	B244; B245; B247; B249; B250; B252; B248; B218; B217; B219; B216; C71111c; C71112t; C71121c; C71122t; C71211c; C71212t; C71311t; C71411t; C72111t; C72112t; C72113t; C72114t; C72115t; C72211t; C72212t; C72213t; C72311c; C72312c; C72313t; C72314t; C72411t; C72412t; C72413t; C72414t; C73112t; C73212t; C73213t; C73214t; C73311t; C73312t; C73411t; C73512t; C73513t; C73611t.	Vehicle - cost of new car   van outright; Vehicle - cost of second hand car   van outright; Vehicle - cost of motorcycles outright; Car or van - servicing: amount paid; Car or van - other works, repairs: amount paid; Motor cycle - services, repairs: amount paid; Car leasing - expenditure on; Season ticket - rail / tube - total net amount; Season ticket - bus / coach - total net amount; Water travel season ticket; Bus + tube and/or rail season; Outright purchase of new car/van; Loan / HP purchase of new car/van; Outright purchase of second-hand car/van; Loan / HP purchase of second-hand car/van; Outright purchase of new or second-hand motorcycle; Loan / HP purchase of new or second-hand motorcycle; Purchase of bicycle; Animal drawn vehicles; Car / van accessories and fittings; Car / van spare parts; Motorcycle accessories and spare parts; Anti-freeze, battery water, cleaning materials; Bicycle accessories, repairs and other costs; Petrol; Diesel oil; Other motor oils; Car or van repairs and servicing; Motor cycle repairs, service; Motoring organisation subscription (eg AA and RAC); Car washing and breakdown services; Parking fees, tolls, and permits (excluding motoring fines); Garage rent, MOT etc; Driving lessons; Hire of self-drive cars, vans, bicycles; Railway and tube fares other than season tickets; Bus and coach fares other than season tickets; Taxis and hired cars with drivers; Other personal travel; Air fares (within UK); Air fares (international); Water travel; Combined fares other than season tickets; School travel; Delivery charges and other transport services.

<b>P608</b>	<b>EFS: Total Communication.</b>	<b>B166; B1661; B195; C81111; C82111; C82112; C82113; C83112; C83114; C83115.</b>	<b>Telephone, household share of account (excl mobiles); Mobile telephone account; Internet – weekly amount; Postage and poundage; Telephone purchase; Mobile phone purchase; Answering machines, fax machines, modem purchase; Telephone coin and other payments; Mobile phone - other payments; Second dwelling: telephone account payments.</b>
<b>P608c</b>	<b>EFS: Total Communication.</b>	<b>C81111c; C82111c; C82112c; C82113c; C83111c; C83112c; C83113c; C83114c; C83115c.</b>	<b>Postage and poundage; Telephone purchase; Mobile phone purchase; Answering machines, fax machines, modem purchase; Telephone account payments; Telephone coin and other payments; Mobile phone account payments; Mobile phone - other payments; Second dwelling: telephone account payments.</b>
<b>P608t</b>	<b>EFS: Total Communication.</b>	<b>B166; B1661; B195; C81111t; C82111t; C82112t; C82113t; C83111c; C83112t; C83113c; C83114t; C83115t.</b>	<b>Telephone, household share of account (excl mobiles); Mobile telephone account; Internet – weekly amount; Postage and poundage; Telephone purchase; Mobile phone purchase; Answering machines, fax machines, modem purchase; Telephone account payments; Telephone coin and other payments; Mobile phone account payments; Mobile phone - other payments; Second dwelling: telephone account payments.</b>



P609	EFS: Total Recreation - adult.	<p>B162; B181; B191; B192; B193; B480; B481; B2441; B2451; C91111; C91112; C91113; C91121; C91122; C91123; C91124; C91125; C91126; C91127; C91128; C91211; C91221; C91311; C91411; C91412; C91413; C91414; C91415; C92111; C92112; C92117; C92211; C92221; C92311; C93111; C93112; C93113; C93114; C93211; C93212; C93311; C93312; C93313; C93411; C93412; C93511; C94111; C94112; C94113; C94115; C94211; C94212; C94221; C94232; C94236; C94238; C94239; C94241; C94242; C94243; C94244; C94245; C94246; C94311; C94312; C94313; C94314; C94315; C94316; C94319; C95111; C95211; C95212; C95311; C95411; C92114; C92116.</p>	<p>Leisure class fees paid - amount; TV licence - amount paid last year; Rent for TV   Satellite   VCR - weekly amount; Satellite subscription - weekly amount; Cable subscription - weekly amount; Holiday package within United Kingdom; Holiday package outside United Kingdom; Vehicle cost of new motor caravan outright; Vehicle cost of 2nd hand motor caravan outright; Audio equipment, CD players; Audio equipment - in car; Accessories for audio equipment - headphones etc; Television set purchase; Satellite dish purchase; Satellite dish installation; Video recorder purchase; Purchase of digital TV decoder; Spare parts for TV, video, audio; Cable TV connection; DVD purchase – adult; Photographic and cinematographic equipment; Optical instruments, binoculars, telescopes, microscopes; Personal computers, printers and calculators; Records, CDs, audio cassettes; Blank and pre-recorded video cassettes; Camera films; Blank and pre-recorded DVDs; Repair of audio-visual, photographic &amp; infrmatn prsng eqpmnt; Purchase of boats, trailers and horses; Purchase of caravans, mobile homes (including decoration); Accessories for boats, horses, caravans and motor caravans; Musical instruments (purchase and hire); Major durables for indoor recreation (eg snooker table etc); Maintenance &amp; repair of other durables for recreation &amp; culture; Games, toys and hobbies (excluding artists materials); Computer software and game cartridges; Console computer games; Games toys etc (misc. fancy, decorative); Equipment for sport, camping and open-air recreation; BBQ and swings; Plants, flowers, seeds, fertilisers, insecticides; Garden decorative; Artificial flowers, pot pourri; Pet food; Pet purchase and accessories; Veterinary and other services for pets identified separately; Spectator sports: admission charges; Participant sports (excluding subscriptions); Subscriptions to sports and social clubs; Hire of equipment &amp; accessories for sport &amp; open-air recreation ; Cinemas; Live entertainment: theatre, concerts, shows; Museums, zoological gardens, theme parks; TV licence payments (Second dwelling); TV slot meter payments; Video cassette rental; Cassette hire (library), CD hire (library); Admissions to clubs, dances, discos, bingo; Social events and gatherings; Subscriptions for leisure activities; Other subscriptions; Internet subscription fees; Development of film, film development, &amp; other photos; Football pools stakes; Bingo stakes excluding admission; Lottery (not National Irish Lottery) stakes; Bookmaker, tote, other betting stakes; Irish Lottery Stakes; National Lottery instants - Scratchcards; National Lottery stakes ; Books; Newspapers; Magazines and periodicals; Cards, calendars, posters and other printed matter; Stationery, diaries, address books, art materials; Purchase of motor caravan (new) - loan/HP; Purchase of motor caravan (second-hand) - loan/HP.</p>
------	--------------------------------	--	---

P609c	EFS: Total Recreation - child.	C91111c; C91112c; C91113c; C91121c; C91122c; C91123c; C91124c; C91125c; C91126c; C91127c; C91128c; C91211c; C91221c; C91311c; C91411c; C91412c; C91413c; C91414c.	Audio equipment, CD players; Audio equipment - in car; Accessories for audio equipment - headphones etc; Television set purchase; Satellite dish purchase; Satellite dish installation; Video recorder purchase; Purchase of digital TV decoder; Spare parts for TV, video, audio; Cable TV connection; DVD purchase -child ; Photographic and cinematographic equipment; Optical instruments, binoculars, telescopes, microscopes; Personal computers, printers and calculators; Records, CDs, audio cassettes; Blank and pre-recorded video cassettes; Camera films; Blank and pre-recorded DVDs.
P609t	EFS: Total Recreation-total.	B162; B181; B191; B192; B193; B480; B481; B2441; B2451; C91111t; C91112t; C91113t; C91121t; C91122t; C91123t; C91124t; C91125t; C91126t; C91127t; C91128t; C91211t; C91221t; C91311t; C91411t; C91412t; C91413t; C91414t.	Leisure class fees paid - amount; TV licence - amount paid last year; Rent for TV   Satellite   VCR - weekly amount; Satellite subscription - weekly amount; Cable subscription - weekly amount; Holiday package within United Kingdom; Holiday package outside United Kingdom; Vehicle cost of new motor caravan outright; Vehicle cost of 2nd hand motor caravan outright; Audio equipment, CD players; Audio equipment - in car; Accessories for audio equipment - headphones etc; Television set purchase; Satellite dish purchase; Satellite dish installation; Video recorder purchase; Purchase of digital TV decoder; Spare parts for TV, video, audio; Cable TV connection; DVD purchase - total ; Photographic and cinematographic equipment; Optical instruments, binoculars, telescopes, microscopes; Personal computers, printers and calculators; Records, CDs, audio cassettes; Blank and pre-recorded video cassettes; Camera films; Blank and pre-recorded DVDs.

P610	EFS: Total Education.	B160; B164; CA1113; CA2113; CA3113; CA4113; CA5113.	Education – total amount paid last quarter; Members outside household – total educ fees for last quarter; Pre-primary and primary education: (pymnts fr school trips etc); Secondary education: (payments for school trips, etc); Further education: (payments for school trips, other ad hoc exp); Higher education: (payments for school trips, other ad hoc exp); Education undefined: (payments for school trips, etc).
P610c	EFS: Total Education.	CA1111c; CA1112c; CA1113c; CA2111c; CA2112c; CA2113c; CA3111c; CA3112c; CA3113c; CA4111c; CA4112c; CA4113c; CA5111c; CA5112c; CA5113c.	Pre-primary & primary education: (Fees etc for education); Pre-primary & primary education: (Fees for non hhld member); Pre-primary and primary education: (pymnts fr school trips etc); Secondary education: (Fees/maintenance for eductnl courses); Secondary education: (Fees/maintenance fr non-hhold member); Secondary education: (payments for school trips, etc); Further education: (Fees/maintenance for educational courses); Further education: (Fees/maintenance for non-hhold member); Further education: (payments for school trips, other ad hoc exp); Higher education: (Fees/maintenance for educational courses); Higher education: (Fees/maintenance for non-hhold member); Higher education: (payments for school trips, other ad hoc exp); Education not definable by level: (Fees etc educational courses); Education undefined: (Fees etc for non-household member); Education undefined: (payments for school trips, etc).

P610t	EFS: Total Education.	B160; B164; CA1111c; CA1112c; CA1113t; CA2111c; CA2112c; CA2113t; CA3111c; CA3112c; CA3113t; CA4111c; CA4112c; CA4113t; CA5111c; CA5112c; CA5113t.	Education – total amount paid last quarter; Members outside household – total educ fees for last quarter; Pre-primary & primary education: (Fees etc for education); Pre-primary & primary education: (Fees for non hhld member); Pre-primary and primary education: (pymnts fr school trips etc); Secondary education: (Fees/maintenance for eductnl courses); Secondary education: (Fees/maintenance fr non-hhold member); Secondary education: (payments for school trips, etc); Further education: (Fees/maintenance for educational courses); Further education: (Fees/maintenance for non-hhold member); Further education: (payments for school trips, other ad hoc exp); Higher education: (Fees/maintenance for educational courses); Higher education: (Fees/maintenance for non-hhold member); Higher education: (payments for school trips, other ad hoc exp); Education not definable by level: (Fees etc educational courses); Education undefined: (Fees etc for non-household member); Education undefined: (payments for school trips, etc).
-------	-----------------------	--	---

P611	EFS: Total Restaurants and Hotels.	B260; B482; B483; B484; CB1111; CB1112; CB1113; CB1114; CB1115; CB1116; CB111C; CB111D; CB111E; CB111F; CB111G; CB111H; CB111I; CB111J; CB1121; CB1122; CB1123; CB1124; CB1125; CB1126; CB1127; CB1128; CB112B; CB1213; CB2114.	School meals - total amount paid last week; Holiday hotel within United Kingdom; Holiday hotel outside United Kingdom; Holiday self-catering within United Kingdom; Catered food non-alcoholic drink eaten / drunk on premises; Confectionery eaten off premises; Ice cream eaten off premises; Soft drinks drunk off premises (Fizzy drinks and juice drinks); Hot food eaten off premises; Cold food eaten off premises; Spirits and liqueurs (away from home); Wine from grape or other fruit (away from home); Fortified wines (away from home); Ciders and Perry (away from home); Alcopops (away from home); Champagne and sparkling wines (away from home); Beer and lager (away from home); Round of drinks (away from home); Food non-alcoholic drinks eaten drunk on premises; Confectionery; Ice cream; Soft drinks (Fizzy drinks and juice drinks); Hot food; Cold food; Hot take-away meal eaten at home; Cold take-away meal eaten at home; Contract catering (food); Meals bought and eaten at the workplace; Room hire.
P611c	EFS: Total Restaurants and Hotels.	CB1117c; CB1118c; CB1119c; CB111Ac; CB111Bc; CB111Cc; CB111Dc; CB111Ec; CB111Fc; CB111Gc; CB111Hc; CB111Ic; CB111Jc; CB1127c; CB1128c; CB112Bc; CB2111c; CB2112c; CB2114c.	Confectionery (child); Ice cream (child); Soft drinks (child) (Fizzy drinks and juice drinks); Hot food (child); Cold food (child); Spirits and liqueurs (away from home); Wine from grape or other fruit (away from home); Fortified wines (away from home); Ciders and Perry (away from home); Alcopops (away from home); Champagne and sparkling wines (away from home); Beer and lager (away from home); Round of drinks (away from home); Hot take away meal eaten at home; Cold take away meal eaten at home; Contract catering (food); Holidays in UK (accommodation), excluding timeshares; Holidays abroad (accommodation), excluding timeshares; Room hire.

P611t	EFS: Total Restaurants and Hotels.	B260t; B482; B483; B484; CB1111t; CB1112t; CB1113t; CB1114t; CB1115t; CB1116t; CB1117c; CB1118c; CB1119c; CB111Ac; CB111Bc; CB111Ct; CB111Dt; CB111Et; CB111Ft; CB111Gt; CB111Ht; CB111It; CB111Jt; CB1121t; CB1122t; CB1123t; CB1124t; CB1125t; CB1126t; CB1127t; CB1128t; CB112Bt; CB1213t; CB2111c; CB2112c; CB2114t.	School meals - total amount paid last week; Holiday hotel within United Kingdom; Holiday hotel outside United Kingdom; Holiday self-catering within United Kingdom; Catered food non-alcoholic drink eaten / drunk on premises; Confectionery eaten off premises; Ice cream eaten off premises; Soft drinks drunk off premises (Fizzy drinks and juice drinks); Hot food eaten off premises; Cold food eaten off premises; Confectionery (child); Ice cream (child); Soft drinks (child) (Fizzy drinks and juice drinks); Hot food (child); Cold food (child); Spirits and liqueurs (away from home); Wine from grape or other fruit (away from home); Fortified wines (away from home); Ciders and Perry (away from home); Alcopops (away from home); Champagne and sparkling wines (away from home); Beer and lager (away from home); Round of drinks (away from home); Food non-alcoholic drinks eaten drunk on premises; Confectionery; Ice cream; Soft drinks (Fizzy drinks and juice drinks); Hot food; Cold food; Hot take away meal eaten at home; Cold take away meal eaten at home; Contract catering (food); Meals bought and eaten at the workplace; Holidays in UK (accommodation), excluding timeshares; Holidays abroad (accommodation), excluding timeshares; Room hire.
-------	------------------------------------	--	--

P612	EFS: Total Miscellaneous Goods and Services.	B110; B168; B188; B1802; B238; B273; B280; B281; B282; B283; B229; CC1111; CC1211; CC1311; CC1312; CC1313; CC1314; CC1315; CC1316; CC1317; CC2111; CC3111; CC3112; CC3211; CC3221; CC3222; CC3223; CC3224; CC4111; CC4112; CC4121; CC4122; CC5213; CC5411c; CC5412; CC5413; CC6212; CC6214; CC7111; CC7112; CC7113; CC7114; CC7115; CC7116.	Structure insurance - last payment; Contents insurance - amount of last premium; Vehicle insurance - amount paid last year; Bank & Building societies charges - net amount last 3 mths; Annual standing charge for credit cards weekly amnt; Moving house; Property transaction - purchase and sale; Property transaction - sale only; Property transaction - purchase only; Property transaction - other payments; Medical insurance - total amount premium; Hairdressing salons and personal grooming establishments; Electrical appliances for personal care, incl hairdryers etc; Toilet paper; Toiletries (disposables - tampons, lip balm, toothpaste etc); Bar of soap, liquid soap, shower gel etc; Toilet requisites (durables - razors, hairbrushes, etc); Hair products; Cosmetics and related accessories; Baby toiletries and accessories (disposable); Prostitution; Jewellery, clocks and watches; Repairs to personal goods; Leather and travel goods (excluding baby items); Other personal effects n.e.c.; Baby equipment (excluding prams and pushchairs); Prams, pram accessories and pushchairs; Sunglasses (non-prescription); Residential homes; Home help; Nursery, creche, playschools; Child care payments; Insurance for household appliances; Vehicle insurance; Boat insurance (not home); Non-package holiday, other travel insurance; Bank and Post Office counter charges; Commission travellers cheques and currency; Legal fees paid to banks; Legal fees paid to solicitors; Other payments for services eg photocopying; Funeral expenses; Other professional fees incl court fines; TU and professional organisations.
------	--	---	---

P612c	EFS: Total Miscellaneous Goods and Services.	CC1111c; CC1211c; CC1311c; CC1312c; CC1313c; CC1314c; CC1315c; CC1316c; CC1317c; CC2111c; CC3111c; CC3112c; CC3211c; CC3221c; CC3222c; CC3223c; CC3224c; CC4111c; CC4112c; CC4121c; CC4122c; CC5213c; CC5411c; CC5412c; CC5413c; CC6211c; CC6212c; CC6214c; CC7111c; CC7112c; CC7113c; CC7114c; CC7115c; CC7116c; CC5311c.	Hairdressing salons and personal grooming establishments; Electrical appliances for personal care, incl hairdryers etc; Toilet paper; Toiletries (disposables - tampons, lip balm, toothpaste etc); Bar of soap, liquid soap, shower gel etc; Toilet requisites (durables - razors, hairbrushes, etc); Hair products; Cosmetics and related accessories; Baby toiletries and accessories (disposable); Prostitution; Jewellery, clocks and watches; Repairs to personal goods; Leather and travel goods (excluding baby items); Other personal effects n.e.c.; Baby equipment (excluding prams and pushchairs); Pram, pram accessories and pushchairs; Sunglasses (non-prescription); Residential homes; Home help; Nursery, creche, playschools; Child care payments; Insurance for household appliances; Vehicle insurance; Boat insurance (not home); Non-package holiday, other travel insurance; Bank service charges; Bank and Post Office counter charges; Commission travellers cheques and currency; Legal fees paid to banks; Legal fees paid to solicitors; Other payments for services eg photocopying; Funeral expenses; Other professional fees incl court fines; TU and professional organisations; Private medical insurance.
-------	--	--	---



P612t	EFS: Total Miscellaneous Goods and Services.	B110; B168; B188; B1802; B238; B273; B280; B281; B282; B283; B229; CC1111t; CC1211t; CC1311t; CC1312t; CC1313t; CC1314t; CC1315t; CC1316t; CC1317t; CC2111t; CC3111t; CC3112t; CC3211t; CC3221t; CC3222t; CC3223t; CC3224t; CC4111t; CC4112t; CC4121t; CC4122t; CC5213t; CC5411c; CC5412t; CC5413t; CC6211c; CC6212t; CC6214t; CC7111t; CC7112t; CC7113t; CC7114t; CC7115t; CC7116t; CC5311c.	Structure insurance - last payment; Contents insurance - amount of last premium; Vehicle insurance - amount paid last year; Bank & Building societies charges - net amount last 3 mths; Annual standing charge for credit cards weekly amnt; Moving house; Property transaction - purchase and sale; Property transaction - sale only; Property transaction - purchase only; Property transaction - other payments; Medical insurance - total amount premium; Hairdressing salons and personal grooming establishments; Electrical appliances for personal care, incl hairdryers etc; Toilet paper; Toiletries (disposables - tampons, lip balm, toothpaste etc); Bar of soap, liquid soap, shower gel etc; Toilet requisites (durables - razors, hairbrushes, etc); Hair products; Cosmetics and related accessories; Baby toiletries and accessories (disposable); Prostitution; Jewellery, clocks and watches; Repairs to personal goods; Leather and travel goods (excluding baby items); Other personal effects n.e.c.; Baby equipment (excluding prams and pushchairs); Prams, pram accessories and pushchairs; Sunglasses (non-prescription); Residential homes; Home help; Nursery, creche, playschools; Child care payments; Insurance for household appliances; Vehicle insurance; Boat insurance (not home); Non-package holiday, other travel insurance; Bank service charges; Bank and Post Office counter charges; Commission travellers cheques and currency; Legal fees paid to banks; Legal fees paid to solicitors; Other payments for services eg photocopying; Funeral expenses; Other professional fees incl court fines; TU and professional organisations; Private medical insurance.
-------	--	---	--

P620cp	EFS: Total Non Consumption Expenditure (anonymised).	CK1315c; CK1316c; CK2111c; CK3111c; CK3112c; CK4111c; CK4112c; CK5221c; CK5222c; CK5223c; CK5224c; CK5315c; CK5111c; CC5111c; CC5312c; CC5511c.	Purchase of materials for Capital Improvements; Bathroom fittings; Food stamps, other food related expenditure; Stamp duty, licences and fines (excluding motoring fines); Motoring Fines; Money spent abroad; Duty free goods bought in UK; Money given to those outside the household; Present - not specified; Charitable donations and subscriptions; Money sent abroad; Club instalment payment; Savings, investments (excluding AVCs); Life, death, non-house endowment; Accident, sickness, redundancy, animal insurance, etc; Other insurance.
P620cu	EFS: Total Non Consumption Expenditure.	CK1315c; CK1316c; CK2111c; CK3111c; CK3112c; CK4111c; CK4112c; CK5221c; CK5222c; CK5223c; CK5224c; CK5315c; CK5111c; CC5111c; CC5312c; CC5511c.	Purchase of materials for Capital Improvements; Bathroom fittings; Food stamps, other food related expenditure; Stamp duty, licences and fines (excluding motoring fines); Motoring Fines; Money spent abroad; Duty free goods bought in UK; Money given to those outside the household; Present - not specified; Charitable donations and subscriptions; Money sent abroad; Club instalment payment; Savings, investments (excluding AVCs); Life, death, non-house endowment; Accident, sickness, redundancy, animal insurance, etc; Other insurance.

P620p	EFS: Total Non Consumption Expenditure (anonymised).	B130; B150; B2081; B038p; B030; B187; B334h; B265; B237; B228; B1961; B1981; B2011; B205; B206; CK1315; CK1316; CK1412; CK2111; CK3111; CK3112; CK4111; CK4112; CK5221; CK5222; CK5223; CK5212; CK5213; CK5214; CK5215; CK5216; CK5111; CK5113; CK1313; CK1314; (-B179).	Mortgage interest only - last payment; Mortgage interest / principle - interest paid; Mortgage protection - amount premium; Council tax - last payment weekly amount; Domestic rates - last net payment; Vehicle road tax - amount paid last year; Money sent abroad - household; Maintenance allowance expenditure; Credit card interest payments; Personal pensions; Life insurance - amount premium; Endowment policies - amount premium; Mortgage endowment policy - amount premium; Friendly socs - deductions from main pay; Other insurance - total amount premium; Purchase of materials for Capital Improvements; Bathroom fittings; Council tax, mortgage, insurance (second dwelling); Food stamps, other food related expenditure; Stamp duty, licences and fines (excluding motoring fines); Motoring Fines; Money spent abroad; Duty free goods bought in UK; Money given to those outside the household; Present - not specified; Charitable donations and subscriptions; Money given to members for specific purps: pocket money; Money given to members for specific purps: school dinner; Money given to members for specific purps: school travel; Money given to members for specific purposes.; Cash gifts to members (no specific purpose); Savings, investments (excluding AVCs); Additional Voluntary Contributions; Central heating installation (DIY); Double Glazing, Kitchen Units, Sheds etc; [minus vehicle road tax - amount refunded last year].
-------	--	--	--

P620tp	EFS: Total Non Consumption Expenditure (anonymised).	B130; B150; B2081; B038p; B030; B187; B334h; B265; B237; B228; B1961; B1981; B2011; B205; B206; CK1315t; CK1316t; CK1412t; CK2111t; CK3111t; CK3112t; CK4111t; CK4112t; CK5221t; CK5222t; CK5223t; CK5224c;CK5212t; CK5213t; CK5214t; CK5215t; CK5216t; CK5315c; CK5111t; CK5113t; CK1313t; CK1314t; CC5111c; CC5312c; CC5511c; (-B179).	Mortgage interest only - last payment; Mortgage interest / principle - interest paid; Mortgage protection - amount premium; Council tax - last payment weekly amount; Domestic rates - last net payment; Vehicle road tax - amount paid last year; Money sent abroad - household; Maintenance allowance expenditure; Credit card interest payments; Personal pensions; Life insurance - amount premium; Endowment policies - amount premium; Mortgage endowment policy - amount premium; Friendly socs - deductions from main pay; Other insurance - total amount premium; Purchase of materials for Capital Improvements; Bathroom fittings; Council tax, mortgage, insurance (second dwelling); Food stamps, other food related expenditure; Stamp duty, licences and fines (excluding motoring fines); Motoring Fines; Money spent abroad; Duty free goods bought in UK; Money given to those outside the household; Present - not specified; Charitable donations and subscriptions; Money sent abroad; Money given to members for specific purps: pocket money; Money given to members for specific purps: school dinner; Money given to members for specific purps: school travel; Money given to members for specific purposes.; Cash gifts to members (no specific purpose); Club instalment payment; Savings, investments (excluding AVCs); Additional Voluntary Contributions; Central heating installation (DIY); Double Glazing, Kitchen Units, Sheds etc; Life, death, non-house endowment; Accident, sickness, redundancy, animal insurance, etc; Other insurance; [minus vehicle road tax - amount refunded last year].
--------	--	--	--

P620tu	EFS: Total Non Consumption Expenditure.	B130; B150; B2081; B038u; B030; B187; B334h; B265; B237; B228; B1961; B1981; B2011; B205; B206; CK1315t; CK1316t; CK1412t; CK2111t; CK3111t; CK3112t; CK4111t; CK4112t; CK5221t; CK5222t; CK5223t; CK5224c;CK5212t; CK5213t; CK5214t; CK5215t; CK5216t; CK5315c; CK5111t; CK5113t; CK1313t; CK1314t; CC5111c; CC5312c; CC5511c; (-B179).	Mortgage interest only - last payment; Mortgage interest / principle - interest paid; Mortgage protection - amount premium; Council tax - last payment weekly amount; Domestic rates - last net payment; Vehicle road tax - amount paid last year; Money sent abroad - household; Maintenance allowance expenditure; Credit card interest payments; Personal pensions; Life insurance - amount premium; Endowment policies - amount premium; Mortgage endowment policy - amount premium; Friendly socs - deductions from main pay; Other insurance - total amount premium; Purchase of materials for Capital Improvements; Bathroom fittings; Council tax, mortgage, insurance (second dwelling); Food stamps, other food related expenditure; Stamp duty, licences and fines (excluding motoring fines); Motoring Fines; Money spent abroad; Duty free goods bought in UK; Money given to those outside the household; Present - not specified; Charitable donations and subscriptions; Money sent abroad; Money given to members for specific purps: pocket money; Money given to members for specific purps: school dinner; Money given to members for specific purps: school travel; Money given to members for specific purposes.; Cash gifts to members (no specific purpose); Club instalment payment; Savings, investments (excluding AVCs); Additional Voluntary Contributions; Central heating installation (DIY); Double Glazing, Kitchen Units, Sheds etc; Life, death, non-house endowment; Accident, sickness, redundancy, animal insurance, etc; Other insurance; [minus vehicle road tax - amount refunded last year].
--------	---	--	--

P620u	EFS: Total Non Consumption Expenditure.	B130; B150; B2081; B038u; B030; B187; B334h; B265; B237; B228; B1961; B1981; B2011; B205; B206; CK1315; CK1316; CK1412; CK2111; CK3111; CK3112; CK4111; CK4112; CK5221; CK5222; CK5223; CK5212; CK5213; CK5214; CK5215; CK5216; CK5111; CK5113; CK1313; CK1314; (-B179).	Mortgage interest only - last payment; Mortgage interest / principle - interest paid; Mortgage protection - amount premium; Council tax - last payment weekly amount; Domestic rates - last net payment; Vehicle road tax - amount paid last year; Money sent abroad - household; Maintenance allowance expenditure; Credit card interest payments; Personal pensions; Life insurance - amount premium; Endowment policies - amount premium; Mortgage endowment policy - amount premium; Friendly socs - deductions from main pay; Other insurance - total amount premium; Purchase of materials for Capital Improvements; Bathroom fittings; Council tax, mortgage, insurance (second dwelling); Food stamps, other food related expenditure; Stamp duty, licences and fines (excluding motoring fines); Motoring Fines; Money spent abroad; Duty free goods bought in UK; Money given to those outside the household; Present - not specified; Charitable donations and subscriptions; Money given to members for specific purps: pocket money; Money given to members for specific purps: school dinner; Money given to members for specific purps: school travel; Money given to members for specific purposes.; Cash gifts to members (no specific purpose); Savings, investments (excluding AVCs); Additional Voluntary Contributions; Central heating installation (DIY); Double Glazing, Kitchen Units, Sheds etc; [minus vehicle road tax - amount refunded last year].
P630cp	EFS: Total Expenditure (anonymised).	P600c; P620cp.	EFS: Total consumption expenditure; EFS: Total Non Consumption Expenditure (anonymised).
P630cu	EFS: Total Expenditure.	P600c; P620cu.	EFS: Total consumption expenditure; EFS: Total Non Consumption Expenditure.
P630p	EFS: Total Expenditure (anonymised).	P600; P620p.	EFS: Total consumption expenditure; EFS: Total Non Consumption Expenditure (anonymised).

<b>P630tp</b>	<b>EFS: Total Expenditure (anonymised).</b>	<b>P600t; P620tp.</b>	<b>EFS: Total consumption expenditure; EFS: Total Non Consumption Expenditure (anonymised).</b>
<b>P630tu</b>	<b>EFS: Total Expenditure.</b>	<b>P600t; P620tu.</b>	<b>EFS: Total consumption expenditure; EFS: Total Non Consumption Expenditure.</b>
<b>P630u</b>	<b>EFS: Total Expenditure.</b>	<b>P600; P620u.</b>	<b>EFS: Total consumption expenditure; EFS: Total Non Consumption Expenditure.</b>