

Family Expenditure

Survey

Comparison Of Codes

1985 - 1988

VARNAME	DESCRIPTION	1986	1985	CODE NO (If any)	DESCRIPTION
		QUESTION NO.	QUESTION NO.		
ABANTDK	Money sent abroad to private individual Mk	B86 A2	B90 (b)		Same as 1986 Schedule
ABRDANT	Money sent abroad to private individual	B86 A1	B90 a(1)	334	Same as 1986 Schedule
ACCOMVAL	Insured value of house	A43 C1	A43 c(11)		Same as 1986 Schedule
ALLOW	Regular allowance if received	B77	B79	352	In the last 12 months shown on this card . . .
ALLRECAM	Regular allowance non spouse - amount received	B77 B	B79 (a)	352	Same as 1986 Schedule
ALLTYPE	Regular allowance - non spouse - type received	B77 A	B79	352	Same as 1986 Schedule
AREAMUM	Area number on A Schedule	A003	Page A1		Same as 1986 Schedule
AREAMUMB	Area number on B Schedule	B003	Page B1		Same as 1986 Schedule
AREAMUMC	Area number on C Schedule	C003	A75		Same as 1986 Schedule
AREAMUMD	Area number on D Schedule	D003	Page D1		Same as 1986 Schedule
ATTENDAM	Attendance allowance last amount received	B51 A	B50 (a)	421	Same as 1986 Schedule
ATTENDMC	Attendance allowance received at present	B51	B50	421	Same as 1986 Schedule
AMFRVEX	Absent from work currently	B03	B03		Have you been away from work today
AMLSJDAY	Absent from work - more than 3 working days	B03 A	B3 (a)		Have you been away from work for more than the last 3 working days?
BACCTYPE	Bank accounts - type	A76 A	A77		Same as 1986 Schedule
BANKACS	Bank current/Budget account - held - any	A76 1	A77		Same as 1986 Schedule
BANKITMO	Bank service charges/Accounts - item no	A76 3	-		Not present in 1985 Schedule
BANKPNO	Bank service charges/Accounts - Person number	A76 2	A77		Same as 1986 Schedule
BANKSERC	Bank service charges paid - any	A76 B1	A77 (a)		Same as 1986 Schedule
BANKSTOR	Standing order - any items paid by -	A77 1	A78		Same as 1986 Schedule
BANSCANT	Bank service charges - account paid last year	A76 B2	A77 a(1)	180	Total domestic bank charges
BONBATA	Bonus earnings - has bonus pre-tax	B25 A	B24		Same as 1986 Schedule
BONINUSP	Bonus earnings - amount included in usual pay	B26 A	B24 (a)	330)	(Occasional net addition to pay) Q - Do you ever commission
BONUSAM1	Bonus earnings - amount received last year 1	B25 1	B24 (a)	312)	(Occasional gross addition to pay) Same as above
BONUSAM2	Bonus earnings - amount received last year 2	B25 2	B24 (a)	312)	Same as above
BONUSAM3	Bonus earnings - amount received last year 3	B25 3	B24 (a)	312)	Same as above
BONUSAM4	Bonus earnings - amount received last year 4	B25 4	B24 (a)	312)	Same as above
BONUSSES	Occasional bonus/commission received last year	B24	B24)	Same as above
BONUSPAY	Bonus earnings any loc in usual pay	B26	B24 (a)		Same as 1986 Schedule
BSCBUSP	Bank service charges and proportion for business	A76 B3	A77 a(11)		Same as 1986 Schedule
BSCBUSPR	Bank service charge - Business proportion	A76 B4	A77 a(1)		Same as 1986 Schedule
BSTORAMT	Standing order - Account of last payment	A77 7	A78	270-280	Same as 1986 Schedule
BSTORITN	Standing Order - Item number	A77 3	-		Not present in 1985 Schedule
BSTORPNO	Standing order - Person number	A77 2	A78		Same as 1986 Schedule
BSTORPUR	Standing order - Purchase - type	A77 4	A78		Same as 1986 Schedule
BSTORQUA	Standing order identifier	A77 5	-		Not present in 1985 Schedule
BUSERAMT	Business refunds by employer - amount	A93 A1	B26		Do you receive any (other) refunds for business
BUSERIN1	Household expenditure refunded in net pay - amount 1	B19 2	B29		expenditure from your current (last)
BUSERIN2	Household expenditure refunded in net pay - amount 2	B19 3	B29		employer included in net pay of £.
BUSERIN3	Household expenditure refunded in net pay - amount 3	B19 4	B29		you received on . .
BUSEXPEN	Business refunds by employer - type	A93 1	B26		Same as 1986 Schedule
BUSREF	Business refunds by employer - any	A93	A26		Do you have . . refunded by your employer?
BUSPERNO	Business refunds by employer - Person number	A93 2	B26		Same as 1986 Schedule
CARINS	Vehicle insurance paid in last year - amount	A61 D1	A62 D	188	Same as 1986 Schedule
CARINSWL	Vehicle insurance - nil paid in last year	A61 D2	-		Not present in 1985 Schedule
CARPANT	Vehicle purchase - cash price	A64 C	A65 (c)	244, 245 247	Cost of new/s-hand cars and vans and new/s/h m/cycle and moped
CARPDAT	Vehicle - Date of purchase	A64 B	A65 (b)		Date of purchase not coded
CARPROV	Car provided	A61 C	A62 (g)	A285	Same as 1986 Schedule

VARIABLE	DESCRIPTION	1986	1985	CODE NO (If any)	DESCRIPTION
		QUESTION NO.	QUESTION NO.		
CARPTINS	Road Tax/vehicle insurance included in cash price	A64 D1	A65 (d)		Same as 1986 Schedule
CARPUR	Vehicle purchased in last year - any	A64 3	A65		Same as 1986 Schedule
CARSSOLD	Vehicle sold in last year - any	A65 3	A66		Same as 1986 Schedule
CARTAX	Road tax - amount paid in last year	A61 A1	A62		Same as 1986 Schedule
CARTAXNL	Road Tax - all paid last year	A61 A2	-		Not present in 1985 Schedule
CARTXDT	Date last vehicle licence renewed	A61 C	A62 C		When was the vehicle licence last renewed by you?
CASEERR	NEW SYSTEM ERROR MARKER	-	-		-
CASENO	Case Number	A001	-		Not present in 1985 Schedule
CCASHPR	Credit card cash price	C0010	Separate	Sheet	Same as 1986 Schedule
CCITCODE	Credit card claim acquired	C0011	-	-	Same as 1986 Schedule
CCITEMNO	Credit card item number	C009	-	-	Not present in 1985 Schedule
CCNO	Credit card identifier number	C008	-	-	Not present in 1985 Schedule
CCQUAL	Credit card item acquired - qualifier	C0012	-	-	Not present in 1985 Schedule
CCTDAYPE	Credit card expenditure week	C007	-	-	Not present in 1985 Schedule
CHARANT	Money sent abroad to charity - amount	B86 B	B90 (b)	334	Same as 1986 Schedule
CHARITK	Money sent abroad to charity - amount Nk	B86 B1	B90 (b)		Same as 1986 Schedule
CHARITY1	Money sent abroad to private individual last year - any	B86 1	B90		Same as 1986 Schedule
CHARITY2	Money sent abroad to charity last year - any	B86 2	B90		Same as 1986 Schedule
CHARITY3	Money sent abroad last year - none	B86 3	B90		Same as 1986 Schedule
CHECKDIG	Check digit on A Schedule	A002	-		Not present in 1985 Schedule
CHILDBAM	Child benefit - last amount received	B45 A	B44 (a)	337	Same as 1986 Schedule
CHILDREN	Child benefit received at present	B45	B44		Same as 1986 Schedule
CHILDIMP	Childrens' income - type of investments	B89 A	B76		At present . . . in any of the following
CHILDINC	Childrens' income - any received in last year	B88 1	B91		Have any of your children .. past 12 months?
CHINCANT	Childrens' income - amount received	B88 C	B91 (d)		Same as 1986 Schedule
CHINCOON	Childrens' income was received throughout last year	B88 B	B91 (c)		Has he had this income throughout the past 12 months?
CHINC01S	Childrens' income - how used	B88 E	B91 (f)		Same as 1986 Schedule
CHINCWKS	Childrens' income - number of weeks received	B88 B1	B91 c(i)		Same as 1986 Schedule
CHINVA1	Childrens' National Savings amount held - Index Linked	B89 B1	B76	A218	At present do you .. in any of the following - 'Index linked'
CHINVA2	Childrens' National Savings amount held - Fixed Interest	B89 B2	B76	A218	Other National Savings Certificate
CHINVA3	Childrens' National Savings amount held - SAYE	B89 B3	B76	A218	SAYE - National Savings
CHINVA4	Childrens' Building Society - amount held - SAYE	B89 B4	B76	A218	SAYE - Building Societies
CHINVA5	Childrens' National Savings - amount held - Premium Bonds	B89 B5	B76	A218	Premium Bonds
CHINVA6	Childrens' National Savings - amount held - Income Bonds	B89 B6	B76	A218	National Savings - Income Bonds
CHINVA7	Childrens' National Savings - amount held - Deposit Bonds	B89 B7	B76	A218	National Savings - Deposit Bonds
CHINVEST	Childrens' National Savings - is any money invested	B89	-		Not present in 1985 Schedule
CHINVTY1	Childrens' National Savings - any Index Linked held	B89 A1	B76		Same as 1986 Schedule
CHINVTY2	Childrens' National Savings - any Fixed Interest held	B89 A2	B76		Other National Savings Certificates
CHINVTY3	Childrens' National Savings - any SAYE held	B89 A3	B76		Same as 1986 Schedule
CHINVTY4	Childrens' Building Societies - any SAYE held	B89 A4	B76		Same as 1986 Schedule
CHINVTY5	Childrens' National Savings - any Premium Bonds held	B89 A5	B76		Same as 1986 Schedule
CHINVTY6	Childrens' National Savings - any Income Bonds held	B89 A6	B76		Same as 1986 Schedule
CHINVTY7	Childrens' National Savings - any Deposit Bonds held	B89 A7	B76		Same as 1986 Schedule
CHPERNO	Childrens' Income - Person Number of child receiving	B88	B76		Same as 1986 Schedule
CITEMNO	Vehicle - Item number of vehicle	A61 2	-		Not present in 1985 Schedule
CLUBCODE	Instalment credit/clubs type	A75 3	A76		What is the name of the firm in which your payments are made
CLUBDAT	Instalment credit/club - Date goods acquired	A75 D5	A76 (d)		Have you obtained any goods during the last month
CLUBCINO	Instalment credit/club - Goods acquired - item number	A75 D3	-		Not present in 1985 Schedule
CLUBGLN	Instalment credit/club - Have goods been acquired	A75 D1	A76 (d)		Have you last month ie since from (name of firm)
CLUBGPMO	Instalment credit/club - Person Number of goods acquired	A75 D2	A76		Same as 1986 Schedule

VARNAME	DESCRIPTION	1986	1985	CODE NO (If any)	DESCRIPTION
		QUESTION NO.	QUESTION NO.		
CLUBIPUT	Instalment credit/club - Item type acquired	A75 07	A76		Same as 1986 Schedule
CLUBITNO	Instalment credit/club - Item Number	A75 2	-		Not present in 1985 Schedule
CLUBLAPA	Instalment credit/club - last payment	A75 B	A76 (b)		Same as 1986 Schedule
CLUBPERS	Instalment credit/club - Person Number	A75 1	A76		Same as 1986 Schedule
CLUBQUAL	Instalment credit/club - Item qualifier	A75 D8	-		Not present in 1985 Schedule
CLUBSCOS	Instalment credit/club - Item cash price	A76 D6	A76		Same as 1986 Schedule
CLUBTYPE	Instalment credit/club - Type acquired from	A75 D4	A76 (u)		Same as 1986 Schedule
CLUBMEVL	Weekly equivalent value of club purchase	A75	A76		Same as 1986 Schedule
COAL	Coke/coal received from employer last year - any	B79	B83		In the last 12 months . from your present (or previous) employer
COALCWT	Only coke/coal from employer last year - cwt	B79 B2	B83	A247	Number of cwt coke/coal received in last 12 months
COALLBS	Only coke/coal from employer last year - lbs	B79 B1	B83	A247	Number of lbs coke/coal received in last 12 months
COALTONS	Only coke/coal from employer last year - tons	B79 B3	B83	A247	Number of tons coke/coal received in last 12 months
COALOTH	Only coke/coal from employer last year - other	B79 B4	B83		Person number Fuel quantity in last 12 months
COAPAY	Coke/coal from employer amount paid	B79 C1	B83	321	Amount paid (if not free) including haulage costs
CONCDANT	Combine construction/structure Ins - contents element	A44	A44		Same as 1986 Schedule
CONSTANT	Combine construction/structure Ins - structure element	A42	A43		Same as 1986 Schedule
CONBREC	Invalidity pension - last amount received	B55 B	B54 (b)	369	Same as 1986 Schedule
CONBUS	OAP concessionary bus pass - any	B80	B84		Same as 1986 Schedule
CONBUSAM	OAP concession any bus pass - annual value	A99 A	A98 (a)	163	Same as 1986 Schedule
CONBUSTY	OAP concession any bus pass - type owned	B80 A	B84	A266	Same as 1986 Schedule
CONPEN	Invalidity pension received last year	B55	B54		Same as 1986 Schedule
CONPRAHT	Contents insurance - amount of last premium	A44 A	A44 (a)	168	Same as 1986 Schedule
CONTPREM	Insurance premium on contents - any	A44	A44		Same as 1986 Schedule
CONTUSE	Vehicle owned or for continuous use	A61 F	A62 (f)		Same as 1986 Schedule
CONTVAL	Insured value of contents	A43 C2	A43 c(ii)		Same as 1986 Schedule
CORTYPE	Education level of course attended	A83 H	A83 (h)		Same as 1986 Schedule
CPCTAXAM	Road Tax included in vehicle price - amount	A64 D2	A65 d(i)		Same as 1986 Schedule
CPERSNO	Person number of owner/user of vehicle	A61 1	A62		Same as 1986 Schedule
CPINSAMT	Insurance included in vehicle price - amount	A64 D3	A65 d(i)		Same as 1986 Schedule
CPITEMNO	Vehicle purchased in last year - item number	A64 2	-		Not present in 1985 Schedule
CPPARAMT	Vehicle purchased - amount allowed for trade in	A64 E2	A65 (e)		Same as 1986 Schedule
CPPARTEX	Vehicle purchased - any allowance for trade in	A64 E1	-		Not present in 1985 Schedule
CPPERSNO	Vehicle purchased - person number	A64 1	A65		During the last . . . mentioned? Person number
CPTYPE	Vehicle purchased - type	A64 4	A65		During the last . . . mentioned? Specify type
CRECAHT	Vehicle sold - amount received	A65 B2	A66 b(i)	172	Same as 1986 Schedule
CRECPAY	Vehicle sold - means of payment	A65 B1	A66 (b)		Same as 1986 Schedule
CRECARD	Credit card held	A68 1	A72		Same as 1986 Schedule
CREDPNO	Credit card held - Person number	A68	A69		Same as 1986 Schedule
CSITEMNO	Vehicle sold - item number	A65 2	-		Not present in 1985 Schedule
CSOLDAT	Vehicle sold - date of sale	A65 A	A66 (a)		When did you sell the vehicle
CSOLDTYP	Type(s) of vehicle sold in last year	A64 4	A66		Type of vehicle
SPERSNO	Vehicle sold - Person number	A65 1	A66		Person number and type of vehicle
CASHPR	Diary - cash price	D0011	Diary Book		Same as 1986 Schedule
CCACCPD	Credit card account paid in period	D008	Page 1 D Book		Same as 1986 Schedule
CODRCWT	Count of Diary recordings for item	(Calculated)	-		
EAGRANT	Death Grant received last year - any	B65	B64 (a)	407	Same as 1986 Schedule
EDCN	Deductions from pay for charities - any	B16 9	-		Not present in 1985 Schedule
EDCHAMT	Deductions from pay for charities - amount	B16 10	B16	426	Charitable gifts
EDFS	Deductions from pay for friendly societies - any	B16 5	-		Not present in 1985 Schedule
EDFSAMT	Deductions from pay for friendly societies - amount	B16 6	B16	425	Other subscriptions

VARNAME	DESCRIPTION	1986	1985		DESCRIPTION
		QUESTION NO.	QUESTION NO	CODE NO (If any)	
DEDONEM	Deductions from pay - others - amount 1	B12 12	-		Not present in 1985 Schedule
DEDONELQ	Deductions from pay - others - identifier 1	B16 14	-		Not present in 1985 Schedule
DEDONETY	Deductions from pay - others - type 1	B16 13	-		Not present in 1985 Schedule
DEDOTN	Deductions from pay - others - any	B16 11	-		Not present in 1985 Schedule
DEDRRFLP	Rates rebate deducted from last rates/rent - any	A25 A1	A28 (a)		Same as 1986 Schedule
DEDSC	Deductions from pay for sports - any	B16 7	-		Not present in 1985 Schedule
DEDESCANT	Deductions from pay for sports - amount	B16 8	B16	422	Participant sports and specialised pastimes
DEDSUP	Deductions from pay for superannuation - any	B16 1	-		Not present in 1985 Schedule
DESUFAM	Deductions from pay for superannuation - amount	B16 2	B16	318	Superannuation private pension
DEDTURAM	Deductions from pay - others - amount 3	B16 18	-		Not present in 1985 Schedule
DEDTINQU	Deductions from pay - others - IDENTIF - 3	B16 20	B16		Were there any other deductions . . . or private pension funds
DEDTRETY	Deductions from pay - others - Type 3	B16 19	-		Not present in 1985 Schedule
DEDTWOAN	Deductions from pay - others - amount 2	B16 15	-		Not present in 1985 Schedule
DEDTWOQU	Deductions from pay - Identifier - 2	B16 17	-		Not present in 1985 Schedule
DEDTWOTY	Deductions from pay - others - type 2	B16 16	-		Not present in 1985 Schedule
DEDUCTS	Deductions from pay - any	B16	B16		were there any other deductions or private pension funds
DEDUF	Deductions from pay for unions - any	B16 3	-		Not present in 1985 Schedule
DEDUFANT	Deductions from pay for unions - amount	B16 4	B16	424	Subscription to trade union, professional associations etc
DIRNHAN	National Insurance - amount paid	B85 A	B89 (a)	386	Same as 1986 Schedule
DIRTAX	Income Tax paid direct in last year - any	B82	B87		Same as 1986 Schedule
DIRTAXAN	Income Tax paid direct - amount	B82 A	B87 (a)	387	Same as 1986 Schedule
DIRTAXR	Income Tax refund received in last year - any	B83	B88		Same as 1986 Schedule
DIRTAXRAM	Income Tax refund received - amount	B83 A	B88 (a)	390	Account of income tax refunded direct
BITEMCOB	Diary - item purchased	D0012	D Book		Same as 1986 Schedule
BQUAL	Diary - item purchased - qualifier	D0013	-		Not present in 1985 Schedule
EDCESTTY	Education - type establishment attended	A84 A5	A84 a(iii)	A193	Is/was the course at a state or private establishment
EDUCCOTY	Education - type of education course	A84 A6	A84 a(iv)		Is/was the course up to and including level or Dk
EDUCFANT	Education - amount paid last year	A84 A4	A84 (a)	160	Same as 1986 Schedule
EDUCFEES	Education - any fees paid last year	A84 A1	A84 (a)	160	Education fees - paid in last 12 months
EDUCITNO	Education - item number	A84 A3	-		Not present in 1985 Schedule
EDUCPNO	Education - Person number	A84 A2	A84 a(i)		Same as 1986 Schedule
EDUCSTAT	Education - any currently attending course	A84 A7	A84 (vi)		Are you (or your children) currently attending the course
ELECACC	Electricity - amount paid in last account	A55 2	A56	175	Same as 1986 Schedule
ELECNBS	Electricity - amount of payment (Board Budget Scheme)	A56 2	A57	222	Same as 1986 Schedule
ELECCMAR	Electricity - amount charged last (Board Budget Scheme)	A58 2	A59	224	Same as 1986 Schedule
ELECMREB	Electricity - amount last slot meter rebate	A54 A2	A55 (a)	178	Same
ELECSM	Electricity - amount meter rebate received in last year	A54 2	A55		Same as 1986 Schedule (Gas and electricity are separate in 1986)
EMPENTXD	Pensions/Annuities/Trust/Covenant - Tax deducted source	B69 6	B69-72	342-347	Was tax deducted at source
	Pension (Public Sector)			342-343	
	Pension (Private Sector)			344-345	
	Annuity etc)			346-347	
	Trust or Covenant)			346-347	
EMPFEGGS	Free eggs in last week - amount	B31 A2	B30 b(i)		Meals or other food supplied in the last seven days
EMPFMILK	Free milk in last week - amount	B31 A1	B30 b(i)		Same as above
EMPFOTH	Other free food in last week - any	B31 A4	-		Not present in 1985 Schedule
EMPFVA1	Other free food received last week - Value 1	B31 A5	B30	320	Imputed value of free meals and food received in last 7 days
EMPFVA2	Other free food received last week - Value 2	B31 A6	B30	320	Same as above
EMPFVA3	Other free food received last week - Value 3	B31 A7	B30	320	Same as above
EMFPOTS	Free potatoes in last week - amount	B31 A3	B30 b(i)		Meals or other food supplied in the last 7 days
EMPFREEY	Free food supplied by employer last week - any	B31	B30 (b)		Same as above

154

VARIABLE	DESCRIPTION	1986		1985		DESCRIPTION
		QUESTION NO		QUESTION NO	CODE NO (If any)	
EMPFREEM	Free meals in last week - number	B30 A		B30 b(1)		What was received in last 7 days
EMPTNO	Pensions/annuities/trust/covenant - item number	B69 2		-		Not present in 1985 Schedule
EMPPEN	Pension received at present - any	B69		B69		Are you at present receiving
EMPPENRV	Pension/annuities/trust/covenant - amount received	B69 4		B69	342, 344	(a) Pensions from central or local government or armed forces/private
		B69 4		B71	346	(b) Annuity and personal pension - net of tax
		B69 4		B72	346	(c) Payment from covenant or trust - net of tax
EMPPENTT	Pensions/annuities/trust/covenant (1) Last amount	B69 8		B69-72		Was last payment before tax
	(2) Pensions	B69 8		B69		Same as above
	(3) Annuity etc	B69 8		B71		Same as above
	(4) Trust etc	B69 8		B372		Same as above
EMPPENTX	Pension/annuity/trust/covenant - tax deducted	B69 7		B69, B71, B72	343, 347	Same as EMPPENRV plus tax deducted
EMPPERNO	Pensions/annuities/trust/covenant	B69 1		B69-72		Person number - (are you at present receiving)
ESTTYPE	Education - type of establishment attended	A83 G		A83 (g)		Same as 1986 Schedule
EXGDIRIN	Direct expenses payment - non spouse - item number	A95 3		-		Not present in 1985 Schedule
EXGDIRPN	Direct expenses payment - non spouse - person number	A95 2		B82		Same as 1986 Schedule
EXPGDAM	Direct expenses payment - non spouse - amount paid	B95 C		B82 (c)		Same as 1986 Schedule
FXPCDIR	Direct expenses payment - non spouse received	A95 1		B82		Same as 1986 Schedule
EXPGIVN	Money to HH for expenditure - non spouse received	A94 1		B81		Same as 1986 Schedule
EXPGVITM	Money to HH for expenditure non spouse - received	A94 3		-		Not in 1985 Schedule
EXPGVAM	Amount given for payment of expenses	A94 C		B81 (c)	352	Same as 1986 Schedule
EXPGVPMO	Money to HH for expenditure - non spouse person number	A94 2		B81		In addition to the allowance .. gives you money for
EXPMK	Expenditure week	D007		Page 1 D Book		Same as 1986 Schedule
FIS	FIS received during last year - any	B60		B59		Same as 1986 Schedule
FISMLN	FIS last amount received	B60 B		B59 (b)	368	What was the amount of benefit you last received?
FRECOAL	Coal/coke from employer free or not	B79 C		B83		In the last 12 months that is present employer
FREMFAL	Free meals in last week - any	B30		B30 (b)		Meals or other food . in the last seven days
FREWELF	Free welfare milk in last week - any	A79		A80		Has any member of your HH 7 days ending yesterday?
FREESMILK	Free school milk in last week - any	A80		A80		Has any member of your HH .. 7 days ending yesterday?
GANNHEXP	Gross annual HH expenditure	(Calculated)		-		-
CASACC	Gas - amount paid in last account	A55 1		A56	170	Same as 1986 Schedule
CASBBS	Gas - amount of payment (Board Budget Scheme)	A56 1		A57	221	Same as 1986 Schedule
GASCHAR	Gas - amount charged last Board Budget Scheme	A58 1		A59	223	Same as 1986 Schedule
CASSM	Gas - amount meter rebate received in last year	A54 1		A55		Same as 1986 Schedule - except gas and electricity not separate
CASSHREB	Gas - amount last slot meter rebate	A54 A1		A55	173	Same as 1986 Schedule
GOVTRSCH	Taken part in Government Training Scheme last year	B57		B56		Same as 1986 Schedule
GRANTDIR	Education grant - amount received in cash	A83 F		A83 (f)	207	Same as 1986 Schedule
GRANTPMO	Education grant - Person number	A83 A1		A83		Same as 1986 Schedule
GRANTS	Education grant received in last year - any	A83		A83		Same as 1986 Schedule
GRANTSOU	Education grant - source	A83 B		A83 (c)		Same as 1986 Schedule
GRANTSRE	Education grant - still receiving	A83 E		A83 (b)		Same as 1986 Schedule
GRAVEXFE	Education grant - annual value excluding fees	A83 C		A83 (d)		Same as 1986 Schedule
GRAVINCE	Education grant - annual value including fees	A83 D		A83 (e)		Same as 1986 Schedule
GRITLMMO	Education grant - item number	A83 A2		-		Not present in 1985 Schedule
GROSSPAY	Gross pay from pay slip	B16 22		B16 (a)		What was the gross wage/salary including superannuation?
GRV	Gross rateable value	A96		A95		Gross value of rateable units covering the household
GRWKHHIN	Gross weekly household income (imputed purpose only)	(Calculated)		-		-

VARNAMF	DESCRIPTION	1986	1985	CODE NO (If any)	DESCRIPTION
		QUESTION NO	QUESTION NO		
HBNOTAMT	Housing benefit - not HOH - amount received	B52 A	B51 (a)	323	Same as 1986 Schedule
HBNOTMOH	Housing benefit - not HOH - received at present	B52	B51		Same as 1986 Schedule
HBSAMT	Housing benefit supplement - amount received	A27 A1	A29 (a)	190	Same as 1986 Schedule
HBSAMTDK	Housing benefit - supplement amount received Mk	A27 A2	A29 (a)	A156	Same as 1986 Schedule
HBSHOT	Housing benefit - not HOH - amount supplement included	B52 C	B51 (c)		Did the amount you mentioned include HB supplement
HBSHOTAM	Housing benefit - not HOH - amount supplement received	B52 C1	B51 c(1)	324	Same as 1986 Schedule
HNEXPINC	Business refunds including last net pay - any	B19 1	B29		Same as 1986 Schedule
HNMUNA	Household number on A Schedule	A005	Page A1		Same as 1986 Schedule
HNMURB	Household number on B Schedule	B005	Page B1		Same as 1986 Schedule
HNMURC	Household number on C Schedule	C005	Credit card Sheet		Same as 1986 Schedule
HNMURD	Household number on D Schedule	D005	Page D1		Same as 1986 Schedule
HOUSCOMP	Household composition	(Calculated)	-		NIL
HPCASMPR	HP - Cash price	A74 D	A75 (d)	239	Same as 1986 Schedule
HPDAT	HP - Date item acquired	A74 G	A75 (g)		Same as 1986 Schedule
HPDEPOS	HP - Deposit paid	A74 1	A75 (1)	242	Same as 1986 Schedule
HPINSTAL	HP - Amount of last instalment	A74 E	A75 (e)		Same as 1986 Schedule
HPITEMA	HP - Item acquired	A74 A1	A75 (a)		Same as 1986 Schedule
HPITEMNO	HP - Item number	A74 2	-		Not present in 1985 Schedule
HPNEWOLD	HP - New or second-hand item	A74 C	A75 C		Same as 1986 Schedule
HPORIGIN	HP - Original number of instalments	A74 J	A75 (J)	A101	Same as 1986 Schedule
HPORICPA	HP - Original payment	A74 K	A75 (K)	243	Same as 1986 Schedule
HPPARTEX	HP - Amount allowed in part exchange	A74 H	A75 (H)	241	Same as 1986 Schedule
HPPERSNO	HP - Person number	A74 1	A75		Same as 1986 Schedule
HPQUAL	HP - Item acquired - qualifier	A74 A2	-		Not present in 1985 Schedule
INAO02	Relationship to HOH	A02	A02	A002	Same as 1986 Schedule
INAO04	Sex	A03	A03	A003	Sex
INAO05	Age	A04	A04	A005	Age
INAO06	Marital status	A05	A05	A006	Single, widowed . split into 18 or over and under 18
INAO07	Current full time education	A06	A06	A007	Teacher training or advanced further education
INAO08	Income unit - reference number	A08	A08	A008	Same as 1986 Schedule
INAO09	Head or wife of income unit	A08	A08	A009	Same as 1986 Schedule
INAO10	Age completed continuous full-time education	A07	A07	A010	Same as 1986 Schedule
INAO11	Spender (aged 16 or over)	A09	A09	A011	Same as 1986 Schedule
INAO12	D books received - both weeks	A10	A10	A012	Same as 1986 Schedule
INAO97	Administration area type	NIL	NIL	NIL	- NIL -
INAO99	Quarter number	NIL	NIL	NIL	- NIL -
INA102	Telephone in Household	A49	A50	A102	Same as 1986 Schedule
INA103	Gas/electricity supplied in accommodation	A53	A54	A103	Same as 1986 Schedule
INA105	Number of TV sets in household	(A48)	A48	A105	Total number of TV sets in this accommodation
INA108	Washing machine in household	A51 1	A52	A108	Same as 1986 Schedule
INA110	Tenancy dependent on hob	A16 E	A16 (e)	A110	Same as 1986 Schedule
INA111	Rooms used solely by household	(A12-A13A)	A13	A111	Total number of rooms occupied solely
INA112	Rooms shared by household	(A13 B)	A13	A112	Total number of shared accommodation
INA113	Rooms sublet by household	(A13 C)	A13	A113	Total number of let or sublet rooms
INA114	Rooms in accommodation - Total	(Calculated)	A13	A114	Total number of rooms
INA117	Number of new cars, vans bought last year	(A64)	A65	A117	Number of new cars and vans bought in last 12 months
INA118	Number of second hand cars, vans bought last year	(A64)	A65	A118	Number of second hand cars/vans bought in last 12 months
INA119	Mortgage - Source	A031	A31	A119	Same as 1986 Schedule
INA121	Tenure type	A016	A16	A120	Same as 1986 Schedule

VARNAME	DESCRIPTION	1986	1985		DESCRIPTION
		QUESTION NO.	QUESTION NO.	CODE NO (If any)	
INA124	Cars and vans in household	H (A61)	A64	A124	Total cars and vans currently owned or used
INA127	Housing benefit - date rebate received	A26 C	A28 b(111)	A127	Same as 1986 Schedule
INA128	Gas - method of payment	A53 A	A54 (a)	A128	Do you pay for your gas/electricity ... some other method
INA129	Concession any bus travel in Local Authority Area - type	A99	A98	A129	Same as 1986 Schedule
INA130	Electricity - method of payment	A53	A54 (a)	A130	Same as A128 in 1986 Schedule
INA131	MOH - Number of months/year at address	A15	A15	A131	Number of years or months lived at this address
INA132	Rent - Items included in	A17 A2	A17	A132	Payments included in rent
INA133	Mortgage - years has run	A39 1	A39	A133	Same as 1986 Schedule
INA134	Mortgage - years has still to run	A40 1	A40	A134	Same as 1986 Schedule
INA135	Mortgage - years has/hes still to run - NK	A40 2	A40	A135	Don't know
INA136	TV games in household	A48	A48	A136	In your part of this accommodation a TV game
INA137	Home computer in household	A48	A48	A137	In your part of this accommodation . . . a home computer
INA138	Gas - Date of last account	A60 1	A61	A138	Same as 1986 Schedule
INA138DK	Gas - Date of last account/advice NK	A60 2	A61		DK not coded
INA139	Electricity - Date of last account	A60 3	A61	A139	Same as 1986 Schedule
INA139DK	Electricity - Date of last account/advice NK	A60 4	A61		DK not coded
INA140	Rates rebate received last year	A25	A28	A140	In the last 12 months . . . housing benefit (Rates rebates)
INA141	Possession of video recorder	A48	A49	A141	Do (any of) you have a video recorder accommodation
INA143	Number of cars and vans currently owned	(A61)	A64	A124	Total cars/vans currently owned or used
INA149	Cars owned in household	(A61)	A64	A149	Number of privately owned cars in household
INA150	Central heating by electricity	A52 1	A52	A150	Same as 1986 Schedule
INA151	Central heating by gas	A52 2	A52	A151	Same as 1986 Schedule
INA152	Central heating by oil	A52 4	A52	A152	Same as 1986 Schedule
INA153	Central heating by solid fuel	A52 3	A52	A153	Same as 1986 Schedule
INA154	Central heating by fuel NK	A52 5	A52	A154	Same as 1986 Schedule
INA155	Housing benefit supplement received	A27	A29	A155	Same as 1986 Schedule
INA158	Mortgage interest - starting date	A38 A1	A38	A158	Same as 1986 Schedule
INA159	Mortgage interest - ending date	A38 A2	A38	A159	Same as 1986 Schedule
INA160	Cars owned or used	(A61)	A64	A160	Total cars currently owned or used
INA162	Number of motor-cycles owned or used	(A62)	A64	A162	Total motor-cycles or mopeds currently owned or used
INA163	Tax relief deducted from mortgages	A41	A41	A163	Same as 1986 Schedule
INA164	Fridge-freezer in household	A51 2	A52	A164	Same as 1986 Schedule
INA165	Fridge in household	A51 3	A52	A165	Same as 1986 Schedule
INA166	Freezer in household	A51 4	A52	A166	Same as 1986 Schedule
INA168	100% HB - Private tenants - amount NK	A17 B2	A17 b(1)		Same as 1986 Schedule
INA173	Are rates included in rent	A23	A23	A173	Same as 1986 Schedule
INA201	Employment status	B01	B1	A201	Same as 1986 Schedule
INA203	Self-employment - hours usually worked	B42	B40	A203	Apart from meal breaks . . . 30 hours a week or less
INA204	Employee - Date of last pay	B10	B10	A204	On what date were you last paid a wage or salary
INA205	Industrial injury disablement pension - weeks received	B58 A	B57	A205	Same as 1986 Schedule
INA207	Reason away from work	B03 A1	B03 a(1)	A207	Same as 1986 Schedule
INA208	Number of weeks away from work	B3 A3	B3 a(111)	A208	How many weeks in all . . . during this spell of absence
INA209	Pay received while away from work - type	B03 A2	B03 a(11)	A209	Same as 1986 Schedule
INA211	Industry - most remunerative job	B09 A2	B09 (a)	A211	Same as 1986 Schedule
INA212	Subsidiary occupation as an employee	B9 B	B9 (b)	A212	Same as 1986 Schedule
INA214	Subsidiary occupation as self-employed	B9 B	B9 (b)	A214	Same as 1986 Schedule
INA217	Not working because looking after relative	B06	B06	A217	Same as 1986 Schedule
INA220	Usual weekly hours (excluding breaks and overtime)	B21	B17	A220	Same as 1986 Schedule
INA221	Permanently able/unable to work	B07	B07	A221	Same as 1986 Schedule
INA222	Unemployment benefit - Number of weeks received	B59 A	B58 (a)	A222	Same as 1986 Schedule
INA223	Unemployment benefit receiving at present	B59 D	B58 (d)	A223	Same as 1986 Schedule
INA224	Sickness benefit - number of weeks received	B54 A	B53 (a)	A224	Same as 1986 Schedule

VARNAME	DESCRIPTION	1986		1985		DESCRIPTION
		QUESTION NO.	QUESTION NO.	QUESTION NO.	CODE NO (If any)	
INA225	Sickness benefit receiving at present	B54 D	B53 (d)	A225		Same as 1986 Schedule
INA227	Self employment - period - number of months	B43	B36 (a)	A227		Same as 1986 Schedule
INA228	Supplementary benefit - number of weeks received	B61 A	B60 (a)	A228		Same as 1986 Schedule
INA229	Supplementary benefit - receiving at present	B61 D	B60 (d)	A229		Same as 1986 Schedule
INA230	Private benefit - number of weeks received	B68 A	B68 (a)	A230		Same as 1986 Schedule
INA231	Private benefits - receiving at present	B68 D	B68 (d)	A231		Same as 1986 Schedule
INA232	Other state benefits - number of weeks received	B67 A	B65 (a)	A232		Same as 1986 Schedule
INA233	Other state benefits - receiving at present	B67 D	B65 (d)	A233		Same as 1986 Schedule
INA234	Statutory sick pay - receiving at present	B53 B1	B52 (b)	A279		Code 1 if last pay includes Statutory Sick Pay
INA235	Pay slip seen, consulted, not consulted	B16 21	B16	A235		Interviewer to code
INA238	Indet injury - disablement pension - receiving at present	B58 D	B57 (d)	A238		Same as 1986 Schedule
INA239	Maternity allowance - number of weeks received	B62 A	B61 (a)	A239		Same as 1986 Schedule
INA240	Maternity allowance - receiving at present	B62 D	B61 (d)	A240		Same as 1986 Schedule
INA244	Hours paid overtime usually worked	B22	B18	A244		On average, how many hours (if any) work in a week?
INA246	Type of Government Training Scheme attended	B57 A	B56 (a)	A246		Same as 1986 Schedule
INA249	Government Training Scheme - number of weeks	B57 B	B56 (b)	A249		Same as 1986 Schedule
INA250	Main job - period covered by last pay	B10	B10	A250		Same as 1986 Schedule
INA254	Last pay - the pay usually received	B24	B23	A254		Same as 1986 Schedule
INA255	Subsidiary job - period covered by last pay	B34	B31	A255		On what date were you last paid a wage or salary?
INA256	Family Income Supplement - number of weeks received	B60 A	B59 (a)	A256		Same as 1986 Schedule
INA257	Family Income Supplement - receiving at present	B60 D	B59 (d)	A257		Same as 1986 Schedule
INA258	Contributory Invalidity pension - number of weeks received	B55 A	B54 (a)	A258		Same as 1986 Schedule
INA259	Contributory Invalidity Pension - receiving at present	B55 D	B54 (d)	A259		Same as 1986 Schedule
INA261	Childrens' Savings - amount invested	B89 B	B76 (a)	A261		Amount of savings held by under 16s
INA267	Sick pay - number of weeks paid by employer while receiving	B56 A1	B55 a(1)	A 267		Same as 1986 Schedule
INA272	Sick Pay - paid by employer all/some weeks	B56 A	B55 (a)	A272		Same as 1986 Schedule
INA273	Government Training Scheme - receiving benefit at present	B57 E	B56 (e)	A273		Same as 1986 Schedule
INA274	Maternity pay from employer in last year - any	B64	B63	A274		Same as 1986 Schedule
INA275	Mail order agent/baby sitter - at present	B81 C	B85 (b)	A275		Same as 1986 Schedule
INA276	Director - most remunerative job	B09 A3	B9 (a)	A276		Same as 1986 Schedule
INA277	Director - subsidiary job	B09 B1	B09 (b)	A277		Same as 1986 Schedule
INA278	Statutory Sick pay - number of weeks received	B53 A	B52 (a)	A278		Same as 1986 Schedule
INA279	Statutory Sick Pay - receiving at present	B53 B	B52 (b)	A279		Same as 1986 Schedule
INA284	Savings - amount invested	B73	B76 (a)	A284		Amount of SAYE, National Savings Certificates and Premium Bonds held
INA285	Company car provided by	A61 G	Page B1	A285		Car provided by employer, spouse's employer or other
INA286	Company provided some/all petrol for private use	A62 I	Page B1	A286		Same as 1986 Schedule
INB010	Rent, Rates last net payment	A18	A18	010		Same as 1986 Schedule
INB017	Oil for central heating - cost last year	A52 A	A52 a(1)	017		Same as 1986 Schedule
INB020	Rent/Rates - including non separable service element - net	A22	A22	020		Same as 1986 Schedule
INB027	Rent - Net amount for services in net sent	A22	A22	027		Same as 1986 Schedule
INB030	Domestic rates - last net payment	A24	A24	030		Same as 1986 Schedule
INB047	Rates rebate - lump sum refunds last year	A28	A28	047		In the last 12 months, that is since cheque or Giro?
INB050	Water charges - last net payment	A29	A26 (b)	050		Same as 1986 Schedule
INB060	Other regular housing payments	A30	A30	060		Same as 1986 Schedule
INB070	Rateable value for part of dwelling occupied	A97	A96	070		Same as 1986 Schedule
INB080	Domestic rates - poundage	*	Page A40	080		Same as 1986 Schedule
INB110	Structure insurance - last payment	A43	A43	110		Same as 1986 Schedule
INB130	Mortgage interest only - last payment	A33	A33	130		Same as 1986 Schedule
INB150	Mortgage interest/principal - interest paid	A38	A38	150		Same as 1986 Schedule
INB158	School travel - amount paid last week	A82	A82	158		Same as 1986 Schedule

* From rates Form K6

ARNAME	DESCRIPTION	1986	1985	CODE NO (If any)	DESCRIPTION
		QUESTION NO	QUESTION NO		
MB160	Education - amount paid last year	A84	A84	160	Same as 1986 Schedule
MB162	Leisure class fees paid - amount	A84 B	A84 (b)	162	Same as 1986 Schedule
MB164	Children outside HMLD - education fees last year	A88	A92	164	Same as 1986 Schedule
MB168	Contents Insurance - amount of last premium	A44	A44 (a)	168	Same as 1986 Schedule
MB170	Gas - Net amount last account	A55	A56	170	Same as 1986 Schedule
MB172	Vehicle sold - Net amount received	A65	A66	172	Same as 1986 Schedule
MB174	100% Housing benefit - amount received	A17 (B)	A17 (b)	174	Same as 1986 Schedule
MB175	Electricity - Net amount last account	A55	A56	175	Same as 1986 Schedule
MB179	Vehicle road tax - amount refunded last year	A66	A67	179	Same as 1986 Schedule
MB180	Bank charges - Net amount last year	A76	A77	180	Same as 1986 Schedule
MB181	TV licence - amount paid last year	A50 A	A51	181	In the last 12 months, that is since TV licence
MB182	Credit purchase - Net cost S/hand vehicles	A64	A65	182	Same as 1986 Schedule
MB183	Credit purchase - Net cost of new vehicles	A64	A65	183	Same as 1986 Schedule
MB187	Vehicle road tax - amount paid last year	A61 A	A62 (a)	187	Same as 1986 Schedule
MB188	Vehicle insurance - amount paid last year	A61 D	A62 (d)	188	Same as 1986 Schedule
MB191	Season tickets - other - Total net amount	A67	A68	191	Same as 1986 Schedule
MB194	TV slot meter rebate	A48 C	A48 c(1)	194	Same as 1986 Schedule
MB195	TV rental - amount paid on last account	A48 B2	A48 a(1)	195	Same as 1986 Schedule
MB196	Life Insurance before April 84 - amount premium	A46	A46	196	Same as 1986 Schedule
MB197	Life Insurance after April 84 - amount premium	A46	A46	197	Same as 1986 Schedule
MB198	Endowment Insurance after April 84 - amount premium	A46	A46	198	Same as 1986 Schedule
MB199	Endowment Insurance before April 84 - amount premium	A46	A46	199	Same as 1986 Schedule
MB200	Mortgage interest/principal - last payment	A36	A36	200	Same as 1986 Schedule
MB206	Other insurance - Total amount premium	A47	A47	206	Same as 1986 Schedule
MB207	Education grant - Total amount received in cash	A83 F	A83 (f)	207	Same as 1986 Schedule
MB208	Mortgage protection - Pre April 84 - amount premium	A46	A46	208	Same as 1986 Schedule
MB211	Heating cost included in rent - amount	A17 A3	A17 a(11)	211	Same as 1986 Schedule
MB212	Other cost included in rent - amount	A17 A3	A17 a(11)	212	Same as 1986 Schedule
MB213	Mortgage protection after April 84 - amount premium	A46	A46	213	Same as 1986 Schedule
MB219	Season ticket - Rail - total net amount	A67	A68	219	Same as 1986 Schedule
MB223	Gas - amount charged last Board/Budgeting Scheme	A58	A59	223	Same as 1986 Schedule
MB224	Electricity - amount charged last Board/Budgeting Scheme	A58	A59	224	Same as 1986 Schedule
MB229	Medical insurance - total amount premium	A47	A47	229	Same as 1986 Schedule
MB231	Water rates poundage	*	Page A40	231	Same as 1986 Schedule
MB232	Severage rates - poundage	*	Page A40	232	Same as 1986 Schedule
MB233	Environmental rates poundage	*	Page A40	233	Same as 1986 Schedule
MB234	Water rates standing charge	*	Page A40	234	Same as 1986 Schedule
MB235	Severage rates standing charge	*	Page A40	235	Same as 1986 Schedule
MB241H	HP - amount allowed in part-exchange	A74 H	A75 (h)	241	Same as 1986 Schedule
MB241L	Instalment credit/loan - amount in part-exchange	A75	A76	241 L	Same as 1986 Schedule
MB242H	HO - deposit paid	A74 (1)	A75 (1)	242	Same as 1986 Schedule
MB242L	Instalment credit/loan - deposit paid	A75	A76	242	Same as 1986 Schedule
MB244	Vehicle - cost of new car/van outright	A64	A65	244	Same as 1986 Schedule
MB245	Vehicle - cost of second-hand car/van outright	A64	A65	245	Same as 1986 Schedule
MB246	Vehicle road tax on cars currently owned - last year	A64	A64	246	Same as 1986 Schedule
MB247	Vehicles - cost of motor-cycle outright	A64	A65	247	Same as 1986 Schedule
MB254	Video recorder - amount of last rental	A48	A49 a(11)	254	Same as 1986 Schedule
MB255	Season ticket - rail/bus - total net amount	A67	A68	255	Same as 1986 Schedule
MB259	School milk - imputed value last week	A80	A80	259	Has any member of your household 7 days ending yesterday
MB260	School meals - total amount paid last week	A81	A81	260	Same as 1986 Schedule
MB263	Welfare milk - imputed value last week	A79	A80	263	Has any member of your household 7 days ending yesterday
MB304	Income Tax refund in last pay - amount	B13 (a)	B13 (a)	304	Same as 1986 Schedule

*From Rates Form K6

VARNAME	DESCRIPTION	1986		1985		DESCRIPTION
		QUESTION NO	QUESTION NO	QUESTION NO	CODE NO (If any)	
INB305	Income Tax deductions - PAYE amount	B14	B14		305	Same as 1986 Schedule
INB306	NI contributions - amount deducted from pay	B15	B15		306	Same as 1986 Schedule
INB307	Self-employed - amount of net loss	B38	B36		307	Same as 1986 Schedule
INB309	Subsidiary job - last net pay	B33	B32		309	Same as 1986 Schedule
INB310	Subsidiary job - tax deducted from last pay - amount	B35	B34		310	Same as 1986 Schedule
INB311	Subsidiary job - NI deducted from last pay	B35	B34		311	Same as 1986 Schedule
INB312	Bonus earnings - gross amount	B25	B24 (a)		312	What payment of this kind have you had in the last 12 months?
INB313	Self-employment - income period under 1 year	B38	B36		313	Net profit so far from main self-employed job
INB316	Luncheon vouchers - cash value in last week	B29	B30		316	Same as 1986 Schedule
INB318	Deductions from pay for superannuation - amount	B16	B16		318	Were there any other deductions from your wage/salary Such as superannuation or private pension funding
INB319	Subsidiary job - amount other deductions in last pay	B35	B34		319	Same as 1986 Schedule
INB320	Free meals/food in last week - imputed value	B30, B31	B30 (b)		320	Same as 1986 Schedule
INB321	Coal/coke from employer - amount paid	B79 C	B83		321	Same as 1986 Schedule
INB322	Coal/coke from employer - imputed value	B79 C2	B83		322	Imputed value minus amount paid by informant
INB324	Housing benefit - not HOH - amount supplement received	B52	B51		324	Same as 1986 Schedule
INB326	Self-employed - amount of net profit	B38	B36		326	Same as 1986 Schedule
INB327	Self-supply goods - value from 'D' Books	B38	B36		327	Same as 1986 Schedule
INB328	Subsidiary job - self-employed - amount of profit	B38	B36		328	Same as 1986 Schedule
INB329	Usual net pay - employee	B24 A	B23 (a)		329	Same as 1986 Schedule
INB330	Bonus earnings - net amount	B25	B24		330	Do you ever get an occasional or an occasional commission
INB333	National Savings Investment account - interest received	B72	B75		333	Same as 1986 Schedule
INB334	Money sent abroad to charity - amount	B86 B	B90 B		334	Same as 1986 Schedule
INB346	Annuity/Trust/Covenant - last net payment	B69 C	B71		346	Same as 1986 Schedule
INB347	Annuity/Trust/Covenant - amount of tax deducted	B69 C	B71		347	Amount of tax deducted at source
INB348	Pension (Public/Private) last net payment	B69	B69		342, 344	Public sector pension net of tax
INB349	Pension (Public/Private) amount of tax deducted	B69	B69		343, 345	Private sector pension or TU or Friendly Society pension net of tax Current pension from public sector - amount of tax deducted Current pension from private sector - amount of tax deducted
INB351	Pension/public/private - other deductions	B70 1	B73		351	Other deductions (all receiving employee pension)
INB352	Regular allowance non-spouse - amount received	B77 B	B79 (a)		352	Same as 1986 Schedule
INB360	Rent from property - amount received	B75 A	B78 (a)		360	Same as 1986 Schedule
INB361	Education grant - total value less cash received	B83	B88		361	Difference between annual value of grant received in cash
INB371	TSB ordinary/investment account - interest received	B72	B75		371	Same as 1986 Schedule
INB373	National Savings ordinary account - interest received	B72	B75		373	Same as 1986 Schedule
INB374	Other savings Bank/Society - interest received	B72	B75		374	Same as 1986 Schedule
INB376	Building Society Account - interest received	B72	B75		376	Same as 1986 Schedule
INB377	Bank (high Street) Account - interest received	B72	B75		376	Same as 1986 Schedule
INB378	Stocks/Shares etc - interest/dividends <i>after tax</i>	B74	B77		378	Stocks, Shares, Bonds, Debentures, Local Authority Securities or any other securities before deduction of tax at source and interest from private loans
INB381	Income from odd jobs - amount	B87	B86		381	Same as 1986 Schedule
INB383	Mail order agent/Babysitter - amount received	B81	B85		383	Same as 1986 Schedule
INB384	Other unearned income - amount received	B76	-			Not coded in 1985 Schedule
INB385	Allowances from absent spouse - amount	B78	B80		385	Same as 1986 Schedule
INB386	NI contributions - direct amount paid	B85	B89		386	Same as 1986 Schedule
INB387	Income tax paid direct - amount	B82	B87		387	Same as 1986 Schedule
INB388	Statutory Sick pay - imputed gross amount	B53	B52		388	Same as 1986 Schedule
INB390	Income tax refund received - amount	B83	B88		390	Has Inland Revenue refunded in the last 12 months
INB392	Education grant - amount received in cash	A83	A88		392	Annual value of grant . . . A schedule code 209 or 210
INB394	Xmas bonus - amount received	B66 A	B66 (a)		394	What was the total payment in the last 12 months
INB396	Childrens income - amount received	B88	B91		396	Same as 1986 Schedule

VARNAME	DESCRIPTION	1986	1985	CODE NO (If any)	DESCRIPTION
		QUESTION NO	QUESTION NO		
INB197	Childrens income - amount spent	B88	B91	397	Same as 1986 Schedule
INB406	Maternity grant - amount received	B63	B62	406	Same as 1986 Schedule
INB407	Death grant - amount received	B65	B64	407	Same as 1986 Schedule
INB408	Interest - British Savings Bonds or War Loans	B74 A	B77 a(1)	408	Same as 1986 Schedule
INB418	SDA/invalidity pension - amount received	B50	B49	418	SDA or war contributory invalidity pension
INCMINT	House purchase - endowment pre/post April 1984	A35 C	A35		Same as 1986 Schedule
INCMDAT	Mortgage protection policy - Pre/post April 1984	A42 A5	A42		Mortgage protection policy (part of the question)
INCMFAMT	Mortgage protection insurance - amount included in interest	A42 A3	A42 (a)		Mortgage protection policy - amount included
INCMSTAMT	Structure insurance - amount included in interest	A42 A1	A42 (a)		Insurance on structure - amount included
INDDIS	Industrial injury disablement pension received last year	B58	B57		Same as 1986 Schedule
INDDISBN	Industrial injury disablement pension - last amount	B58 B	B57 B	325	Same as 1986 Schedule
INLI2MDK	Mortgage interest paid over last year - MK	A38 2	-		New question - not asked in 1985 Schedule
INOVSCH	Education grant amount received from overseas scholarship	A83	A88		Same as 1986 Schedule
INPAPREG	Postal address - file region	-	-		-
INPERP	Personal possessions insurance - any	A45	A45		Same as 1986 Schedule
INDDAT	Date of interview	Page A1	Page A1		Same as 1986 Schedule
INTLI2M	Mortgage/interest paid over last year	A38 1	A38	150	Interest paid last year
INTPRPAY	Mortgage/interest and principal - last amount	A36	A36	200	Same as 1986 Schedule
INVANT1	Index linked Saving Certificate - amount	B73 B1	B76 (a)	A284, A261	How much money do you and/or your children have in ..
INVANT2	Fixed Interest Savings Certificate - amount	B73 B2	B76 (a)	A284, A261	How much money do you and/or your children have in
INVANT3	SAYE (National Savings) amount	B73 B3	B76 (a)	A284, A261	Same as above
INVANT4	SAYE (Building Society) amount	B73 B4	B76 (a)	A284, A261	Same as above
INVANT5	Premium Bonds - amount	B73 B5	B76 (a)	A284, A261	Same as above
INVANT6	National Savings - Income Bond - amount	B73 B6	B76 (a)	A284, A261	Same as above
INVANT7	National Savings - Deposit Bond - amount	B73 B7	B76 (a)	A284, A261	Same as above
INVEST	National Savings - any money invested	B73	B76		At present do you (or any of your children under 16 following
INVTYPE1	Index linked National Savings Certificates	B73 A1	B76	A218	Same as 1986 Schedule
INVTYPE2	Fixed Interest Savings Certificates	B73 A2	B76	A218	Other National Savings Certificates
INVTYPE3	Save As You Earn - National Savings	B73 A3	B76	A218	Same as 1986 Schedule
INVTYPE4	Save As You Earn - Building Societies	B73 A4	B76	A218	Same as 1986 Schedule
INVTYPE5	Premium Bonds	B73 A5	B76	A218	Same as 1986 Schedule
INVTYPE6	National Savings Income Bonds	B73 A6	B76	A218	Same as 1986 Schedule
INVTYPE7	National Savings Deposit Bonds	B73 A7	B76	A218	Same as 1986 Schedule
LACDDEA	Local Authority Code	A007	-		Not present in 1985 Schedule
LASLSRAR	Rate rebate - amount last lump sum	A26 D2	A28 b(iii)	014	Most recent direct rebate
LCASHP	Instalment credit/loan - cash price	A73 H	A74 (h)	239	Same as 1986 Schedule
LEISCAMT	Leisure class fees paid - amount	A84 B4	A84 b(ii)		What is the total amount paid in last 12 months
LEISCST	Type of leisure class establishment	A84 B5	A84 b(iii)	A195	Same as 1986 Schedule
LEISCFEE	Leisure class - any fees paid in last year	A84 B	A84 (b)	162	Other course - fees paid in last 12 months
LEISCITN	Leisure class - item number	A84 B3	-		Not present in 1985 Schedule
LEISCPNO	Leisure class - Person number	A84 B2	A84 (b)		Same as 1986 Schedule
LEISCSAT	Leisure class - currently attending course	A86 B6	A84 b(v)		Are you or your children currently attending the course
LIFEINS	Life/death/endowment - insurance paid - any	A46	A46		Same as 1986 Schedule
LINSAMT	Life insurance - last payment	A46 7	A46	196, 197	Life insurance premium etc
LINSITNO	Life insurance - Policy item number	A46 3	-		Not present in 1985 Schedule
LINSPNO	Life insurance - Person number of spender	A46 2	A46		Same as 1986 Schedule
LINSTALN	Instalment credit/loan - number of instalment	A73 D2	A74 d(i)		How many repayments did you originally agree to pay?
LINSTOUT	Life insurance pre-post April 1984?	A46 5	A46		Same as 1986 Schedule

VARIABLE	DESCRIPTION	1986	1985	CODE NO (If any)	DESCRIPTION
		QUESTION NO.	QUESTION NO.		
LINSTYPE	Life Insurance - type	A46 4	-		Not present in 1985 Schedule
LITEMNO	Instalment credit/loan - item number	A73	-		Not present in 1985 Schedule
LITEMPUR	Instalment credit/loan - item number	A73 K1	-		Not present in 1985 Schedule
LMOITEN	Instalment credit/loan - new or second-hand	A73 F	A74 (f)		Same as 1986 Schedule
LOANAMT	Instalment credit/loan - amount	A73 A	A74 (a)		How much was the loan? (exclude interest)
LOANCODE	Instalment credit/loan - type	A73 3	A71		Are you at present paying instalments to any of the following (type)?
LOANDAT	Instalment credit/loan - Date acquired	A73 D1	A74 (d)		Same as 1986 Schedule
LOANDEP	Instalment credit/loan - deposit paid	A73 J	A74 (j)		Same as 1986 Schedule
LOANREP	Instalment credit/loan - last repayment	A73 B	A74 (b)		Same as 1986 Schedule
LOANICPAY	Instalment credit/loan - amount agreed instalment	A73 D3	A74 d(iii)		Same as 1986 Schedule
LPARTEX	Instalment credit/loan - amount in part-exchange	A73 1	A74 1		Same as 1986 Schedule
LPERSNO	Instalment credit/loan - Person number	A73 1	A75		Same as 1986 Schedule
LQUAL	Instalment credit/loan - claim qualifier	A73 K2			Not present in 1985 Schedule
LTHRESMTH	Length of residence at address (Months)	A15 2	A15	A131	Same as 1986 Schedule (Months and Years)
LTHREYSR	Length of residence at address (Years)	A15 1	A15	A131	Same as 1986 Schedule (Months and Years are not coded separately)
LV	Luncheon vouchers received from employer - any	B29	B30		Do/did you receive from the employer (a) luncheon vouchers
LVVAL	Luncheon vouchers - value of each used	B29 A2	B30 a(ii)	316	Same as 1986 Schedule
LVNOS	Luncheon vouchers - number used in last week	B29 A1	B30 a(i)		Same as 1986 Schedule
LVUSEP	Luncheon vouchers - used in last week - any	B29 A	B30 a(i)		Same as 1986 Schedule
MAILBABY	Mailorder/babysitter - money received last year	B81	B85		During the last 12 months . . . money as a (1) Mail order agent (2) Babysitter
MAILORDE	Mailorder agent/babysitter - source	B81 A	B85		Same as above
MAINSEW	Accommodation connected to mains sewerage	A28	A25		Same as 1986 Schedule
MALINPAY	Mileage allowance in last pay - any	B17 A	B27 (a)		Same as 1986 Schedule
MALLINMP	Mileage allowance - amount included in usual pay	B27 A	B27 b(i)		Same as 1986 Schedule
MALLREC	Mileage allowance from employer - any	B17	B27		Same as 1986 Schedule
MALLUSP	Mileage allowance included in usual pay - any	B27	B27 (b)		Same as 1986 Schedule
MATAL	Maternity allowance received last year - any	B62	B61		Same as 1986 Schedule
MATALANT	Maternity allowance - amount received	B62 B	B61 (b)	341	Same as 1986 Schedule
MATGRANT	Maternity grant - amount received	B63 A	B62 (a)	406	Same as 1986 Schedule
MATGRANT	Maternity grant received last year - any	B63	B62		Same as 1986 Schedule
MEDINETS	Personal accident/medical insurance etc paid - any	B47	B47		Same as 1986 Schedule
MEMPOL	Principal covered by house purchase endowment?	A35	A35		Same as 1986 Schedule
MEMPOLAN	House purchase endowment - last year	A35 A	A35 (a)		Same as 1986 Schedule
MEMPTOUT	House purchase - Endowment - Included in interest	A35 B2	A35		Is there an endowment . . . mortgage or....
MILEALL	Mileage allowance - amount included in net pay	B17 A1	B27 a(i)		Same as 1986 Schedule
MINSANT	Other insurance - amount paid	A47 6	A47	206, 229	Same as 1986 Schedule
MINSITNO	Other insurance - item number	B47	-		Not present in 1985 Schedule
MINSPMO	Other insurance - Person number of spender	A47 2	A47		Same as 1986 Schedule
MINSTYPE	Other insurance - Policy type	A47 4	A47		Type not asked in 1985 Schedule
MLBABANT	Mailorder agent/babysitter - amount received	B81 B	B85 (a)	383	Same as 1986 Schedule
MLTORNDK	Mortgage - years has still to run NK	A40 2	A40	A135	Same as 1986 Schedule
MLTRUNDK	Mortgage - Years has run - NK	A39 2	A39	A135	Same as 1986 Schedule
MOBILITY	Mobility allowance received at present	B49	B48		Same as 1986 Schedule
MORINPAY	Mortgage interest only - last payment	A33	A33	130	Same as 1986 Schedule
MORTYPE	Mortgage interest only/interest and principal?	A32	A32		Same as 1986 Schedule
MOTEXREC	Motoring expenses - refunds in last pay - any	B18	B28		Same as 1986 Schedule
MOTHAMIN	Other amounts in last mortgage payment - any	A42	B42		Same as 1986 Schedule
MOTORRES	Rates rebate more than one lump sum received	A26 D1	-		Not present in 1985 Schedule

VARNAME	DESCRIPTION	1986	1985	CODE NO (If any)	DES' PTION
		QUESTION NO	QUESTION NO		
NISEN	NI Sickness benefit - amount last received	B54 B	B53 (b)	363	Same as 1986 Schedule
NICONT	NI contributions (not class 1) - any	B84	-		Not present in 1985 Schedule
NICONTAM	NI contributions - amount paid	B84 A	B83 (a)	336	Same as 1986 Schedule
NIDIRECT	NI contributions paid direct	B85	B89	386	Same as 1986 Schedule
NINDO	NI contributions - amount deducted from pay	B15	B15	306	Same as 1986 Schedule
NIPEN	NI Retirement pension received at present	B46	B45	338	NI Retirement Pension, old person pension, current rate
NIPENAMT	NI Retirement pension - last amount received	B46 A	B45	338	Same as 1986 Schedule
NISICK	NI Sickness benefit - received last year	B54	B53	A224	Sickness/industrial injury benefit Number of weeks received
NIUSUAL	NI contributions usually deducted from pay - any	B15 A	-		Not present in 1985 Schedule
NIWIDANT	NI Widows benefit - amount of last payment	B47 A	B46 (a)	339	Same as 1986 Schedule
NIWIDOWS	NI Widows benefit received at present	B47	B46	339	NI Widows benefit - amount last received
NOBATH	Bathrooms used solely by household	A13 A7	A13		Bathroom - (individual prompt)*
NOBED	Bedrooms used solely by household	A13 A1	A13 (a)	A111	Number of rooms occupied solely*
NOCARP	Vehicle purchased new or second-hand	A64 A	A65 (a)		Same as 1986 Schedule
NOGAR	Garages used solely by Household	A13 A8	A14	A115	Total number of garages
NOHMATAD	Number of other households at this address	A11 A	A11		Same as 1986 Schedule
NOKIT	Kitchens used solely by household	A13 A2	A13		Kitchen (individual prompt)
NOLIVR	Living room used solely by household	A13 A4	A13	A111	Number of rooms occupied solely*
NONIMO	NI contributions - now deducted from last pay	B15	-		Not present in 1985 Schedule
NOOTR	Other rooms used solely by the household	A13 A9	A13	A111	Total number of rooms occupied solely*
NOPARB	Rooms used partly for business	A13 A5	A13		Rooms used partly for business (individual prompt)
NOBOOHMO	Other rooms in this rateable unit	A14 A	-		Not asked in 1985 Schedule
NOSCU	Sculleries used solely by household	A13 A3	A13		Scullery used for cooking (individual prompt)
NOSHBATH	Bathroom shared	A13 B7	A13 (b)		Bathroom (individual prompt) shared
NOSHBED	Bedrooms shared	A13 B	A13 (b)		Same as 1986 Schedule
NOSHCAR	Garages shared	A13 B8	A13 (b)		Garages shared - (individual prompt)
NOSHRIT	Kitchen shared	A13 B2	A13 (b)		Same as above
NOSHLIVR	Living rooms shared	A13 B4	A13 (b)		Same as above
NOSHOTR	Other rooms shared	A13 B9	A13 (b)		Same as above
NOSHPARB	Rooms used partly for business shared	A13 B	A13 (b)		Same as 1986 Schedule
NOSHSCUL	Sculleries used for cooking shared	A13 B	A13 (b)		Same as 1986 Schedule
NOSH SOLB	Rooms used solely for business shared	A13 B	A13 (b)		Same as 1986 Schedule
NOSLBATH	Bathrooms sub-let	A13 C	A13 (c)		Same as 1986 Schedule
NOSLBED	Bedrooms sub-let	A13 C1	A13 (c)	A113	Total number of let or sub-let rooms*
NOSLCAR	Garages sub-let	A13 C	A13 (c)		Same as 1986 Schedule
NOSLKIT	Kitchen sub-let	A13 C	A13 (c)		Same as 1986 Schedule
NOSLLIVR	Living rooms sub-let	A13 C	A13 (c)		Same as 1986 Schedule
NOSLOTR	Other rooms sub-let	A13 C	A13 (c)		Same as 1986 Schedule
NOSLPARB	Rooms used partly for business - sub-let	A13 C	A13 (c)		Same as 1986 Schedule
NOSLSCU	Sculleries used for cooking sub-let	A13 C	A13 (c)		Same as 1986 Schedule
NOSLSOLB	Rooms used solely for business sub-let	A13 C	A13 (c)		Same as 1986 Schedule
NOSOLB	Rooms solely for business solely by households	A13 A6	A13		Rooms used only for business (individual prompt)
NOTAX	PAYE - no tax deducted from pay	B14 1	-		Not present in 1985 Schedule
NOVKSAW	Number of weeks away from work	B03 A3	B3 (111)	A208	Same as 1986 Schedule
NEV	Net rateable value	A97	A96	070	Same as 1986 Schedule
OCARINS	Vehicle previously owned - Insurance paid - amount	A63 D1	A64 (d)	188	Same as 1986 Schedule
OCARINNL	Vehicle previously owned - Nil insurance last year	A63 D2	-		Not present in 1985 Schedule

* No Split available between bedrooms, living rooms and other rooms

VARNAME	DESCRIPTION	1986		1985		DESCRIPTION
		QUESTION NO	QUESTION NO	QUESTION NO	CODE NO (If any)	
OCARTAX	Vehicle previously owned - Road tax paid - amount	A63 A1	A64 (a)		187	Same as 1986 Schedule
OCARTXNL	Vehicle previously owned - Mil road tax last year	A63 A2	-			Not present in 1985 Schedule
OCARTYPE	Vehicle previously owned - Type	A63 3	A64			Same as 1986 Schedule
OCOUNT	Vehicle previously owned - for continuous use	A63 F	A64 (f)			Same as 1986 Schedule
OCCURP	Occupation - most remunerative job	B09 A1	B9 (a)		A210	Same as 1986 Schedule
OCCPERSNO	Vehicle previously owned - Person number	A63 1	A64			Same as 1986 Schedule
OCTAXDAT	Vehicle previously owned - Date road tax last renewed	A63 C	A64 (c)			When was the vehicle licence last renewed by you?
ODDJEND	Date odd job completed	B87 A6	B86 (d)			Same as 1986 Schedule
ODDJOB	Odd jobs last year - any	B87	B86			Same as 1986 Schedule
ODDJSTAR	Date odd job started	B87 A5	B86 (d)			Date odd job took place
OGEXFEE	Child outside HHLD - Education grant value excluding fees	A89 C	A88 (c)			Same as 1986 Schedule
OGINCPEE	Child outside HHLD - Education grant value including fees	A89 D	A88 (d)			Same as 1986 Schedule
OGSOURCE	Child outside HHLD - Education grant source	A89 B	A88 (b)			What is/was the source of grant
OTLEXP	Oil for central heating cost last year	A52 A2	A52 a(1)		017	Same as 1986 Schedule
OILEXPDK	Oil for central heating - cost last year MK	A52 A3	A52 a(1)			What was the total expenditure on oil in last 12 months -DK
OILPURCH	Oil for central heating bought last year - any	A52 A	A52 (a)			Same as 1986 Schedule
OJAMT	Income from odd jobs - amount	B87 A3	B86		381	Total amount received from odd jobs in last 12 months
OJITMO	Income from odd jobs - item number	B87 A	B86			Not present in 1985 Schedule
OJPERNO	Income from odd jobs - Person number	B87 A1	B86			Same as 1986 Schedule
OSCORTYP	Child outside Household - Education level of course	A91	A90			Same as 1986 Schedule
OSEDCFEE	Child outside Household - Education - any fees paid	A88 A	A92 (a)			Same as 1986 Schedule
OSEDEST	Child outside Household - Education State/Private estabs	A88 A2	A92 a(11)			Same as 1986 Schedule
OSEDFAMT	Child outside Household - Education fees last year	A88 A1	A92 (a)			Same as 1986 Schedule
OSESTTYP	Child outside Household - Education University/State/Private	A90	A89			Same as 1986 Schedule
OSGRANTR	Child outside Household - Education grant received last year	A89	A88			Same as 1986 Schedule
OSGSRCC	Child outside Household - Education grant still receiving	A89 A	A88 (a)			Same as 1986 Schedule
OSPARNT	Child outside Household - Person number of parent	A87 F	A87 (f)			Enter person number of parent/guardian
OSPERAGE	Child outside Household - Education - age	A87 D	A87 (d)			Same as 1986 Schedule
OSPEREST	Child outside Household - Education full/part-time	A87 E	A87 (e)			Full or part-time education (F/T, P/T or DK)
OSPERNOH	Child outside Household - Relationship to MOH	A87 B	A87 (b)			Same as 1986 Schedule
OSPERSEX	Child outside Household - Education sex	A87 C	A87 (c)			Sex - Male, Female
OSPERASNO	Child outside Household - Education person number	A87 A	A87 (a)			Same as 1986 Schedule
OTHAPFE	Other affects on last pay - any	B23 B	B22 (b)			Same as 1986 Schedule
OTHSTEN	Other State Benefits received last year - any	B67	B65			Same as 1986 Schedule
OTHSTENAM	Other State Benefits - last amount received	B67 B	B65 (b)		367	What was the amount of benefit you last received
OTHBUINC	Other business refunds in last pay - any	B20	B29			Did you receive any (other) refunds . you received on
OTHBUSE1	Other business refunds amount included in net pay 1	B20 2	B29			Other refunds - Same as 1986 Schedule
OTHBUSE2	Other business refunds amount included in net pay 2	B20 3	B29			Other refunds - Same as 1986 Schedule
OTHBUSE3	Other business refunds amount included in net pay 3	B20 4	B29			Other refunds - Same as 1986 Schedule
OTHHOLIV	Other Households at this address - any	A11	A11			Same as 1986 Schedule
OTHMOTRE	Motoring refunds - amount in net pay	B18 1	B28 (1)			Same as 1986 Schedule
OTHMPAY	Other accommodation charges - any	A30	A30			Same as 1986 Schedule
OTHMPYAM1	Accommodation charge - amount paid 1	A30 2	A30		060	Other regular housing payment
OTHMPYAM2	Accommodation charge - amount paid 2	A30 4	A30		060	Other regular housing payment
OTHMPYAM3	Accommodation charge - amount paid 3	A30 6	A30		060	Other regular housing payment
OUTGRANT	Child outside Household - Receiving education - any	A87	A87			Same as 1986 Schedule
PAIDSICK	Pay by employer while receiving sick pay - any	B56	B56			Same as 1986 Schedule
PAYAFFEC	Pay types of non STD additions/deductions	B23 A	B22			Same as 1986 Schedule except 'business refunds' not included
PAYAMT	Pay - amount last time paid	B11	B11		303	Same as 1986 Schedule
PAYDAT	Date of last pay	B10	B10		A204	On what date were you last paid a wage or salary

VARNAME	DESCRIPTION	QUESTION NO		CODE NO (If any)	DESCRIPTION
		1986	1985		
FAYEREP	Income tax refund of tax deducted under PAYE	B83 B	B88 (b)		Was this a refund of tax deducted under PAYE
PERC063	Period code for RENTPAY	A16 D	A16 d(11)		Same as 1986 Schedule
PERC067A	Period code for RR100LA	A17 A1	A17 a(1)		Not separate in 1985 Schedule
PERC067N	Period code for RR100PR	A17 B3	A17 b(11)		Same as 1986 Schedule
PERC070	Period code for RENT	A19	A19		Same as 1986 Schedule
PERC074	Period code for RRAHT	A21 B	A21 (c)		Same as 1986 Schedule
PERC092	Period code for RRDEDAMT	A25 A4	A28 a(11)	A148	Same as 1986 Schedule
PERC096	Period code for RALSRAHT	A25 B	A28 b(11)		Same as 1986 Schedule
PERC0100	Period code for LASGRAR	A26 D	A28		Not coded in 1985 Schedule
PERC0103	Period code for HBSAMT	A27 B	A29 (b)		Same as 1986 Schedule
PERC0104D	Period code for OTHPYAM 1	A30	A30		Not separate in 1985 Schedule
PERC0104E	Period code for OTHPYAM 2	A30	A30		Not separate in 1985 Schedule
PERC0104F	Period code for OTHPYAM 3	A30	A30		Not separate in 1985 Schedule
PERC0119	Period code for MORINPAY	A34	A34		Same as 1986 Schedule
PERC0122	Period code for MENPOLAM	A35 B	A35 (b)		Same as 1986 Schedule
PERC0125	Period code for INTRRPAY	A37	A37		Same as 1986 Schedule
PERC0132	Period code for INCSTAMT	A42	A42		Insurance on structure period covered by this amount
PERC0135	Period code for INCHPANT	A42	A42		Mortgage protection policy period covered by this amount
PERC0141	Period code for STRINAMT	A43 B	A43 (b)		Same as 1986 Schedule
PERC0149	Period code for COMPRAHT	A44 B	A44 (b)		Same as 1986 Schedule
PERC0152	Period code for PERPPAY	A45 B	A45 (b)		Same as 1986 Schedule
PERC0154F	Period code for LINSAMT	A46	A46		Same as 1986 Schedule
PERC0164E	Period code for MINSAMT	A47	A47		Same as 1986 Schedule
PERC0171C	Period code for TVPAYAMT	A48 E	A48 a(1b)		Same as 1986 Schedule
PERC0188	Period code for GASSMREB	A54 B	A55 (b)		Same as 1986 Schedule
PERC0190	Period code for GASBBS	A57	A58		Same as 1986 Schedule
PERC0192	Period code for GASACC	A59	A59		Not separate in 1985 Schedule
PERC0198	Period code for ELECHREB	A54 B	A55 (b)		Same as 1986 Schedule
PERC0200	Period code for ELECBBS	A57	A58		Same as 1986 Schedule
PERC0202	Period code for ELECACC	A59	A59		Not separate in 1985 Schedule
PERC0208	Period code for CARTAX	A61 B	A62 (b)		Same as 1986 Schedule
PERC0211	Period code for CARINS	A61 E	A62 (e)		Same as 1986 Schedule
PERC0219	Period code for OCARTAX	A63 B	A64 (b)		Same as 1986 Schedule
PERC0222	Period code for OCARINS	A63	A64 (e)		Same as 1986 Schedule
PERC0245D	Period code for STAMT	A67	A68		Same as 1986 Schedule
PERC0259	Period code for TELEBILL	A49 B	A50 (b)		How long a period did it cover
PERC0261A	Period code for TELSMAMT	A49 C	A50 c(11)		How long a period did it cover
PERC0275	Period code for LOANREP	A73 C	A74 C		Same as 1986 Schedule
PERC0284	Period code for LOBTRPAY	A73 D	A74 d(111)		Same as 1986 Schedule
PERC0291	Period code for NPINSTAL	A74 F	A75 (f)		Same as 1986 Schedule
PERC0297	Period code for NORIGPA	A74 L	A75 L		Same as 1986 Schedule
PERC0302	Period code for CLUBLAPA	A75 C	A76 (c)		Same as 1986 Schedule
PERC0317	Period code for BSTORAMT	A77	A78		Same as 1986 Schedule
PERC0400	Period code for REGPAY	B08 C	B08 (c)		Same as 1986 Schedule
PERC0409	Period code for PAYAMT	B12	B12		Same as 1986 Schedule
PERC0428	Period code for USCROPAY	B24 C	B23 (c)		Same as 1986 Schedule
PERC0436	Period code for BUSERAMT	A93	B26		Same as 1986 Schedule
PERC0454	Period code for SUBSIDFY	B34	B33		Same as 1986 Schedule
PERC0465	Period code for SERBGSUN	B39 B	B37 (b)		Same as 1986 Schedule
PERC0467	Period code for SEDOMBIL	B39 C	B37 c(11)		Same as 1986 Schedule
PERC0483	Period code for NICOWAM	B84 B	-		Not present in 1985 Schedule
PERC0485	Period code for CHILDRAH	B45 B	B44 (b)		Same as 1986 Schedule

VANNAME	DESCRIPTION	1986	1985	CODE NO (If any)	DESCRIPTION
		QUESTION NO	QUESTION NO		
PERC489	Period code for NIPENAMT	B46 B	B45 (b)		Same as 1986 Schedule
PERC490	Period code for NIWIDAMT	B47 B	B46 (b)		Same as 1986 Schedule
PERC492	Period code for MARDISAM	B48 B	B47 (b)		Same as 1986 Schedule
PERC494	Period code for MORLAMT	B49 B	B48 (b)		Same as 1986 Schedule
PERC495B	Period code for SEVDAMT	B50 B	B49 (b)		Same as 1986 Schedule
PERC499	Period code for ATTENDAM	B51 B	B50 (b)		Same as 1986 Schedule
PERC500B	Period code for NBNOTAMT	B52 B	B51 (b)		Same as 1986 Schedule
PERC506	Period code for NIBEN	B54 C	B53 (c)		Same as 1986 Schedule
PERC511	Period code for CONBREC	B55 C	B54 (c)		Same as 1986 Schedule
PERC519	Period code for TRAINBEN	B57 D	B56 (d)		Same as 1986 Schedule
PERC523	Period code for INDOISBN	B58 C	B57 (c)		Same as 1986 Schedule
PERC527	Period code for UBPAYAMT	B59 C	B58 (c)		Same as 1986 Schedule
PERC531	Period code for FISBEN	B60 C	B59 (c)		Same as 1986 Schedule
PERC535	Period code for SUPBAMT	B61 C	B60 (c)		Same as 1986 Schedule
PERC539	Period code for MATALAMT	B62 C	B61 (c)		Same as 1986 Schedule
PERC547	Period code for OTHBENAM	B67 C	B65 (c)		Same as 1986 Schedule
PERC555	Period code for TUSICBEN	B68 C	B68 (c)		Same as 1986 Schedule
PERC560	Period code for EMPPENKV	B69	B69 -		Same as 1986 Schedule
PERC584	Period code for ALLRECAM	B77 C	B77 (b)		How long a period did it cover
PERC586	Period code for SPOUALRE	B78 B	B80 (a)		Same as 1986 Schedule
PERC590	Period code for EXPGVNAM	A94 D	B81 (d)		Same as 1986 Schedule
PERC592	Period code for EXPGDAM	A95 D	B82 (d)		Same as 1986 Schedule
PERC604	Period code for OJAMT	B87 A	B86 (c)		Same as 1986 Schedule
PERC619	Period code for CHINCAMT	B88 D	B91 (e)		How often does he get it
PERFPAY	Possessions insurance - last payment	A45 A	A45 (a)	168	Same as 1986 Schedule
PERSNO	Person number	Page A01	Page A01		Same as 1986 Schedule
PERSNOB	Person number on B Schedule	Page B01	Page B01		Same as 1986 Schedule
PERSNOC	Person number on C Schedule	Page C01	Page C01		Same as 1986 Schedule
PERSNOD	Person number on D Schedule	Page D01	Page D01		Same as 1986 Schedule
PETROL	Petrol provided by employer for private use	A62 1	A63		Same as 1986 Schedule
PETRPROV	Petrol - source or all provided by employer	A62 2	A63 (1)	A286	Same as 1986 Schedule
PRES	Prescriptions - any free items last week	A78	A79		Same as 1986 Schedule
PRESNO	Prescriptions - number of free items	A78 B	A79	A198	Total claims acquired free on prescription in last 7 days
PRESPNO	Prescriptions - Person number	A78 A	A79		Same as 1986 Schedule
PRINTAM	Interest free private loans	B74 E1	-		Question was not asked in 1985 Schedule
PRLINT	Interest from private loans - any	B74 E	-		Question was not asked in 1985 Schedule
PTCOURSE	Part-time education - State course without fees - any	A85	A85		Same as 1986 Schedule
PTITEMNO	Part-time education - State course - item number	A85 A			Not present in 1985 Schedule
PTPERNO	Part-time education - State course - Person number	A85 A1	A85 (a)		Same as 1986 Schedule
PTTYPE	Part-time education - State course - Type	A85 B	A85 (b)		Same as 1986 Schedule
PXMASBON	Christmas bonus received in last year - any	B66	B66		Same as 1986 Schedule
PXMBONAM	Xmas bonus - amount received	B66 A	B66 (a)	394	Xmas bonus - what was the payment in the last 12 months
RALSAMT	Rates - amount of lump sum rebate received	A26 A1	A28 b(1)	047	Rates - How much was the amount refunded?
RATES	Domestic rates paid on accommodation	A24	A24		Same as 1986 Schedule
RATESADA	Rates Administrative Area	*	-		-
RATESBAR	Rates/Rent payment pre/post rebate/housing benefit	A25 A6	A28 b(111)	014, A127	Rebate - In which month and year did you receive them?
RATESPAY	Domestic rates - last payment	A24 B	A24	030	Same as 1986 Schedule
RATESPER	Rates paid - Times per year	A24 A	A24 (a)		Same as 1986 Schedule
RATESPD	Rates - environmental (poundage)	*	Page A40	233	Same as 1986 Schedule
RATESLA	Rates - Local Authority Code	*	-		Not present in 1985 Schedule

*From Rates Form K6

VARIABLE	DESCRIPTION	1986	1985	CODE NO (If any)	DESCRIPTION
		QUESTION NO	QUESTION NO		
RATESLSR	Lump sum housing benefit in last year - any	A26	A28		In the past 12 months any Housing benefit (rates rebate)
RATESMTR	Rates Sample month	*	-		Not present in 1985 Schedule
RATEPMD	Rates - Poundage (Domestic)	*	Page A40	080	Same as 1986 Schedule
RATESREG	Rates - Postal address region	*	-		Not present in 1985 Schedule
RATESSPD	Rates - Sewerage (Poundage)	*	Page A40	232	Same as 1986 Schedule
RATESSSC	Rates - Sewerage (Standing charge)	*	Page A40	235	Same as 1986 Schedule
RATESWPD	Rates - Poundage (Water)	*	Page A40	231	Same as 1986 Schedule
RATESWSC	Rates - Water (Standing charge)	*	Page A40	234	Same as 1986 Schedule
RATESYR	Rates - Year of data	*	-		Not present in 1985 Schedule
REDMREF	Income tax refund through unemployment/redundancy	B83 C	B88 (c)	A241	Same as 1986 Schedule
RECPAY	Non-workers - usual net pay	B08 B	B08 (b)	380	Same as 1986 Schedule
RECWKS	Non-workers - number of weeks of regular paid work	B08 A	B08 (a)	A215	Same as 1986 Schedule
REGWORK	Non-worker - any regular paid work in last year	B8	B8		Same as 1986 Schedule
REMBECAM	Rent from property - amount received	B75 A	B78 (a)	360	Same as 1986 Schedule
RENT	Rent - last payment	A18	A18	010	Same as 1986 Schedule
RENTBAR	Rent payment pre/post rebate/housing benefit	A21 C1	A21 (d)		Same as 1986 Schedule
RENTDAY	Rent holiday?	A20	A20		Same as 1986 Schedule
RENTROL	Rent holiday - number of weeks	A20 A	A20 (a)		For how many weeks of the year?
RENTINSV	Services included in rent - any	A22	A22		Same as 1986 Schedule
RENTPAY	Rent paid by person outside Household - amount	A16 D1	A16 d(1)		Same as 1986 Schedule
RENTREB	Rent rebate/HB received - last payment - any	A21	A21		Did you receive housing benefit last rent repayment?
RENTREC	Rent from property received in last year - any	B75	B78		Same as 1986 Schedule
REPAYCH	Rent paid by person outside Household - any	A16 D	A16 (d)		Same as 1986 Schedule
RETEARN	Gross earned including pre retirement in last year	B05 A	B5 (b)	302	Same as 1986 Schedule
RETL12M	Retired last year	B05	B5		In what year did you retire?
RLSRANDK	Rates - Amount of lump sum rebate received MK	A26 A2	A28 b(1)	A172	Same as 1986 Schedule
RLSRPEDK	Period code for RALSRANDK	A26 B	A28 b(1)		Same as 1986 Schedule
RMSPTBUS	Rooms used partly for business	(Calculated)	A13		Same as 1986 Schedule
RMSSOBUS	Rooms used solely for business	(Calculated)	A13		Same as 1986 Schedule
ROOMNOOC	Other rooms in this rateable unit - any	A14	-		Not present in 1985 Schedule
RRANT	Rent rebate - amount received	A21 A1	A21 (b)	230	Same as 1986 Schedule
RRANTDK	Rent rebate - amount received not known	A21 A2	A21 (b)	A169	Same as 1986 Schedule
RRDDAMK	Rate rebate deducted from last rates/rent - amount MK	A25 A3	A28 a(1)	A171	Same as 1986 Schedule
RRDDPEDK	Period code for RRDDAMK - MK	A25 A(11)	A28 b(11)		Same as 1986 Schedule
RRDEDAMT	Rent rebate deducted from last/rates/rent - amount	A25 A2	A28 a(1)	040	Same as 1986 Schedule
RRRETHET	Rent rebate - How received	A21 C	A21 (a)		Same as 1986 Schedule
RR100H	Heating costs including 100% HB (LA) received - any	A17 A6	A17 a(11)		Same as 1986 Schedule
RR100HA	Heating costs including 100% HB (LA) - amount	A17 A7	A17 a(11)		Same as 1986 Schedule
RR100LA	100% Housing Benefit (LA) amount received	A17 A0	A17 a(1)	174	Weekly rent payable - Housing Benefit
RR100OT	Other costs including 100% HB (LA) received - any	A17 A8	A17 a(11)		Same as 1986 Schedule
RR100PC	100% Housing Benefit received	A17	A17		Are you receiving 100% housing Social Security Office?
RR100PR	100% Housing Benefit (private tenants) - amount	A17 B1	A17 b(1)	174	Same as 1986 Schedule
RR100R	Rates included in 100% HB (LA) received - any	A17 A2	A17 a(11)		Same as 1986 Schedule
RR100RAT	Rates included in 100% HB(LA) - amount	A17 A3	A17 a(11)		Rent includes rates yes/no - How much?
RR100TH	Other costs including 100% HB (LA) - amount	A17 A9	A17 (11)	212	Other Services - amount in rent
RR100W	Water charges including 100% HB (LA) received - any	A17 A3	A17 a(111)		Same as 1986 Schedule
RR100WR	Water charges included 100% HB (LA) - amount	A17 A5	A17 a(11)		Rent includes water rates and sewerage rates no/yes - How much?
RUNNO	Input control run number (CIR VARIABLE)	-	-		Not present in 1985 Schedule

*From Rates Form K6

VARIABLE	DESCRIPTION	1986		1985		DESCRIPTION
		QUESTION NO	QUESTION NO	QUESTION NO.	CODE NO (If any)	
SAMTIMCC	Structure insurance covers contents	A43 C	A43 C			Same as 1986 Schedule
SAVAMIN1	National Savings Ordinary Account - interest received	B72 A2	B75	373		Same as 1986 Schedule
SAVAMIN2	National Savings - Investment Account - interest received	B72 A4	B75	333		Same as 1986 Schedule
SAVAMIN3	TSB/ordinary/investment account - interest received	B72 B2	B75	371		Same as 1986 Schedule
SAVAMIN4	Building Society Account - interest received	B72 C2	B75	376		Same as 1986 Schedule
SAVAMIN5	Bank (High Street) account - interest received	B72 D2	B75			Not separate coded in 1985 Schedule
SAVAMIN6	Other savings bank/society - interest received	B72 E2	B75	374		Same as 1986 Schedule
SAVINCS	Savings accounts held in last year - any	B71	B74			Same as 1986 Schedule
SAVIN71	National Savings ordinary account has interest	B72 A1	B75	373		How much interest . . . over the last 12 months
SAVIN72	National Savings - investment account has interest	B72 A3	B75	333		Same as 1986 Schedule
SAVIN73	TSB ordinary/investment account has interest	B72 B1	B75	371		Same as 1986 Schedule
SAVIN74	Building Society Account has interest	B72 C1	B75	376		Same as 1986 Schedule
SAVIN75	Bank (High Street) account has interest	B72 D1	B75			Not coded in 1985 Schedule
SAVIN76	Other Savings bank/society has interest	B72 E1	B75	374		Any other savings account
SAVTYPE1	National Savings ordinary account held	B71 A1	B74 a(i)	A260		National Savings Bank (Post Office) ordinary account
SAVTYPE2	National Savings investment account held	B71 A2	B74 a(ii)	A260		NSB investment account
SAVTYPE3	TSB - Ordinary/investment account held	B71 A3	B74 (b)	A260		Trustee Savings Bank
SAVTYPE4	Building Society - account held	B71 A4	B74 (c)	A260		Building Society
SAVTYPE5	Bank (High Street) account held	B71 A5	B74 (d)	A260		High Street Banks
SAVTYPE6	Other Savings Bank/Society account held	B71 A6	B74 (e)	A260		Any other Savings Banks or Societies
SCHMILK	Free school milk - number of pints received last week	A80 B	A80			Free School milk . (1) Quantity (2) Pints
SCHPN0	Free school milk - person number	A80 A	A80			Person number receiving benefit
SCHTRAV	To school travel in last week - any	A82	A82			Same as 1986 Schedule
SCTRFREE	Free travel to State school	A82 B	A82 (a)			Did he/she travel free
SCTRPNO	School travel - person number of child	A82 A	A82			Person number
SEASONTK	Season Ticket held - any	A67	A68			Same as 1986 Schedule
SEBEPKA1	Self-employment - business expenses, X vehicle expenditure	B44 2	B41			Same as 1986 Schedule
SEBEPKA2	Self-employment - business expenses, X rent	B44 4	B41			Same as 1986 Schedule
SEBEPKA3	Self-employment - business expenses, X mortgage payment	B44 6	B41			Same as 1986 Schedule
SEBEPKA4	Self-employment - business expenses, X domestic rates	B44 8	B41			Same as 1986 Schedule
SEBEPKA5	Self-employment - business expenses, X water rates	B44 10	B41			Same as 1986 Schedule
SEBEPKA6	Self-employment - business expenses, X structure insurance	B44 12	B41			Same as 1986 Schedule
SEBEPKA7	Self-employment - business expenses, X gas	B44 14	B41			Same as 1986 Schedule
SEBEPKA8	Self-employment - business expenses, X electricity	B44 16	B41			Same as 1986 Schedule
SEBEPKA9	Self-employment - business expenses, X telephone	B44 18	B41			Same as 1986 Schedule
SEBEPKA10	Self-employment - business expenses, X other expenditure	B44 20	B41			Anything else
SEBUSEX1	Self-employment - business expenses, any vehicle expenditure	B44	B41			Same as 1986 Schedule
SEBUSEX2	Self-employment - business expenses, any rent	B44	B41			Same as 1986 Schedule
SEBUSEX3	Self-employment - business expenses, any mortgage payments	B44	B41			Same as 1986 Schedule
SEBUSEX4	Self-employment - business expenses, any domestic rates	B44	B41			Same as 1986 Schedule
SEBUSEX5	Self-employment - business expenses, any water rates	B44	B41			Same as 1986 Schedule
SEBUSEX6	Self-employment - business expenses, any structure insurance	B44	B41			Same as 1986 Schedule
SEBUSFX7	Self-employment - business expenses, any gas	B44	B41			Same as 1986 Schedule
SEBUSFX8	Self-employment - business expenses, any electricity	B44	B41			Same as 1986 Schedule
SEBUSFX9	Self-employment - business expenses, any telephone	B44	B41			Same as 1986 Schedule
SEBUSFX10	Self-employment - business expenses, any other expenditure	B44	B41			Same as 1986 Schedule
SEBUSFX11	Self-employment - business expenses - none claimed	B44	B41			Same as 1986 Schedule
SEDATOR	Self-employment period - Dates MK	B43 3	B36 (a)			Same as 1986 Schedule
SEDOM	Self-employed - any sums drawn domestic bills	B39 C	B37 c			Same as 1986 Schedule
SEDOMBIL	Self-employed - account drawn for domestic bills	B39 C1	B37 c(1)	326		Same as 1986 Schedule
SEENDDAT	Self-employed period - End date	B43 2	B36 (a)	A226		Ending date of period for which information available
SEHOURS	Self-employed - usual hours worked	B42	B40	A203		Worked 30 hours or less a week or more than 30 hours a week

*From Rates Form K6

VARNAME	DESCRIPTION	1986		1985		DESCRIPTION
		QUESTION NO	QUESTION NO	QUESTION NO	CODE NO (If any)	
SELOSS	Self-employed - net loss last year	B38 3	B36		307	Same as 1986 Schedule
SEMIIPRO	Self-employed - nil profit last year	B38 2	-			Not asked in 1985 Schedule
SEPARTNR	Self-employed - sole owner/partnership	B41	B39			Same as 1986 Schedule
SEPARTSH	Self-employed - any partners share included	B41 A1	B39 (a)			Same as 1986 Schedule
SEPROLOK	Self-employed - profit/loss position NK	B38 4	B36			Same as 1986 Schedule
SEPROFIT	Self-employed - net profit last year	B38 1	B36			Annual net profit from main self-employed job
SEREGS	Self-employed - any sum drawn for own use	B39	B37			Same as 1986 Schedule
SEREGSUM	Self-employed - amount drawn for own use	B39 A	B37		(326)	Same as 1986 Schedule
SERESDK	Self-employed - profit/loss after withdrawals NK	B39 D4	B37 (d)			Same as 1986 Schedule
SERESLOS	Self-employed - loss after withdrawals - own use	B39 D	B37 (d)			Same as 1986 Schedule
SERESPR	Self-employed - profit after withdrawals - own use	B39 D1	B37 (d)		(326)	Same as 1986 Schedule
SERESMPR	Self-employed - nil profit after withdrawals	B39 D2	-			Not asked in 1985 Schedule
SERNUMA	Serial number on A Schedule	Page A01	Page A01			Same as 1986 Schedule
SERNUMB	Serial number on B Schedule	Page B01	Page B01			Same as 1986 Schedule
SERNUMC	Serial number on C Schedule	Page C02	Page C02			Same as 1986 Schedule
SERNUMD	Serial number on D Schedule	Page D01	Page D01			Same as 1986 Schedule
SERSUMDK	Self-employed - amount drawn for own use NK	B39 A1	B37			Same as 1986 Schedule
SERVINC1	Service included in rent - Amount 1	A22 2	A22		027	Same as 1986 Schedule
SERVINC2	Service included in rent - Amount 2	A22 3	A22		027	Same as 1986 Schedule
SERVINC3	Service included in rent - Amount 3	A22 4	A22		027	Same as 1986 Schedule
SESHINC	Partners share included in figures given	B41 A	B39 (a)			Same as 1986 Schedule
SESTADAT	Self-employed period - Start date	B43 1	B36 (a)			Same as 1986 Schedule
SESUMMS	Subsidiary job self-employed - hours per week	B38 6	B40		A203	Apart from meal breaks (a) more than 30 hours a week (b) or 30 hours a week or less
					Values 10, 11, 12, 20, 21, 22	
SESUBINC	Subsidiary job self-employed - amount of profit	B38 5	B36		328	Same as 1986 Schedule
SETURNDK	Self-employed - Turnover not known	B40 1	B38 (a)			Dates of most recent 12 months for which figures are available DK
SETURNOV	Self-employed - Turnover of business in last year	B40	B38			Same as 1986 Schedule
SEVDANT	SDA/invalidity pension - amount received	B50 A	B49		418	Same as 1986 Schedule
SEVDISAL	SDA/invalidity pension received at present - any	B50	B49			Severe disablement - non-contributory invalidity pension
SMFREE	School meals free - any	A81 C	A81 (b)			Same as 1986 Schedule
SMNOHDLW	School meals - number taken last week	A81 B	A81 (a)			Same as 1986 Schedule
SMNOPDLW	School meals - number paid for last week	A81 D3	A81 c(11)			Same as 1986 Schedule
SMPAIDLW	School meals - paid for last week - any	A81 D	A81 (c)			Same as 1986 Schedule
SMPDANT	School meals - amount paid last week	A82 D2	A81 c(1)		260	How much did you pay for each child?
SMPERNO	School meals - person number of child	A81 A	A81			Same as 1986 Schedule
SPALDIPD	Absent spouse direct payment of expenditure - amount	B78 C	B80 (b)			Same as 1986 Schedule
SPOUJRE	Allowance for absent spouse - amount	B78 A	B80		385	Same as 1986 Schedule
SPOUSEAL	Allowance from absent spouse - any	B78	-			Not present in 1985 Schedule
SPSALDIR	Absent spouse direct payment of expenditure - any	B78 C	B80 (b)			Same as 1986 Schedule
SSP	Statutory sick pay received last year	B53	B52			Same as 1986 Schedule
STANT	Season ticket - amount of last payment	A67 5	A68			Same as 1986 Schedule
STARTDAT	Starting date of records	Page A01	Page A01			Same as 1986 Schedule
STDAYCOV	School travel - number of days paid for	A82 C3	A82 b(11)			How many days/weeks does this cover
STITEMNO	Season ticket - item number	A67	-			Not present in 1985 Schedule
STNODE	Season ticket - type of transport	A67 6	A68		219	For rail only (exclude London Regional Transport)
					255	For mixed rail/tube/bus (including London Regional Trans) etc
					199	For all other season tickets eg tube only or bus only
STOCKSSH	Stocks/Shares etc - Interest/Dividend after tax - any	B74 C	B77 (c)			Same as 1986 Schedule
STOSHMT	Stocks/Shares etc - Interest/Dividend after tax	B74 C1	B77 c(1)		378	Same as 1986 Schedule
STPAIDLW	TO School travel payments last week - any	A82 C	A82 (b)			Same as 1986 Schedule

20

VARIABLE	DESCRIPTION	1986		1985		DESCRIPTION
		QUESTION NO.	QUESTION NO.	QUESTION NO.	CODE NO (if any)	
STPAYH	School travel - amount paid last week	A82 C2	A82 b(1)			How much did you pay for each child?
STPERMO	Season ticket - Person number	A67 2	A68			Same as 1986 Schedule
STRINAMT	Structure insurance - last payment	A43 A	A43 (a)	110		Same as 1986 Schedule
STRINS	Structure insurance - premium paid	A43	A43			Same as 1986 Schedule
STSHDEF	Stocks/Shares etc - interest dividend pre tax - any	B74 D	-			Not present in 1985 Schedule
STSHDINT	Stocks/Shares etc - interest dividend pre tax	B74 D1	-			Not present in 1985 Schedule
SUBBUSSE	Subsidiary job - any business refunds in last pay	B37	B35			Were any refunds of allowances in the net pay you received on
SUBDAT	Subsidiary job - Date of last pay	B32	B31	A255		On what date were you last paid a wage or salary?
SUBNHAM	Subsidiary job - NI deducted from last pay - amount	B35 5	B34	311		Same as 1986 Schedule
SUBONEAM	Subsidiary job - Other deductions - amount 1	B35	B34	319		Same as 1986 Schedule
SUBONEQU	Subsidiary job - Other deductions - identifier 1	B35	-			Not present in 1985 Schedule
SUBONETTY	Subsidiary job - Other deductions - Type 1	B35	-			Not present in 1985 Schedule
SUBSBUS1	Subsidiary job - Business refunds in last pay - amount 1	B37	B35 (a)			How much was included
SUBSBUS2	Subsidiary job - Business refunds in last pay - amount 2	B37	B35 (a)			How much was included
SUBSBUS3	Subsidiary job - Business refunds in last pay - amount 3	B37	B35 (a)			How much was included
SUBSDEDS	Subsidiary job - Any deductions from last pay	B35 1	B34			Same as 1986 Schedule
SUBSCROS	Subsidiary job - Gross pay	B36	B34			If pay slip consulted enter gross wage or salary including
SUBSIDPY	Subsidiary job - Last net pay	B33	B32	309		Same as 1986 Schedule
SUBSNI	Subsidiary job - NI deductions from last pay	B35 4	B34	311		National Insurance deductions
SUBSOTH	Subsidiary job - Other deductions from last pay	B35 6	B34	319		Sub occup Superannuation costs and other deductions from pay
SUBSTAX	Subsidiary job - Tax deducted from last pay	B35	-			Not present in 1985 Schedule
SUBTAXAM	Subsidiary job - Tax deducted from last pay - amount	B35 3	B34	310		Same as 1986 Schedule
SUBTHAM	Subsidiary job - Other deductions - amount 3	B35	-			Not present in 1985 Schedule
SUBTHQU	Subsidiary job - Other deductions	B35	-			Not present in 1985 Schedule
SUBTHRTY	Subsidiary job - Other deductions - Type 3	B35	-			Not present in 1985 Schedule
SUBTQAM	Subsidiary job - Other deductions - Amount 2	B35	-			Not present in 1985 Schedule
SUBTWOQU	Subsidiary job - Other deductions - identifier 2	B35	-			Not present in 1985 Schedule
SUBTWOTY	Subsidiary job - Other deductions - Type 2	B35	-			Not present in 1985 Schedule
SUBWKSTA	Subsidiary job - Self-employed or employee	B09 B2	B09 (b)	A212, A214		Same as 1986 Schedule
SUBBANT	Supplementary Benefit - Last amount received	B61 B	B60 (b)	365		Same as 1986 Schedule
SUBBEN	Supplementary Benefit received during last year - any	B61	B60			Same as 1986 Schedule
TAX	Income Tax deduction - PAYE amount	B14	B14	305		Same as 1986 Schedule
TAXREF	Income Tax refund in last pay - any	B13	B13			Same as 1986 Schedule
TAXREFAM	Income Tax refund in last pay - amount	B13 A	B13 (a)	304		Same as 1986 Schedule
TAXRELAL	Tax relief allowed for expenses - any	B28	B25			Same as 1986 Schedule
TAXRELP	Tax relief allowed for expenses - amount	B28 A	B25	370		Amount on which tax relief is allowed
TAXUSUAL	Income Tax usually paid - any	B14 A	B14 (a)			Same as 1986 Schedule
TELEBILL	Telephone account - last amount	A49 A	A50 (a)			How much was the last account .. may have paid
TELOSCON	Telephone - anyone outside Household share business	A49 C	A50 (c)			Same as 1986 Schedule
TELSHAMT	Telephone - Household share of account	A49 C1	A50 c(1)	166		Same as 1986 Schedule
TELSHBUS	Telephone - was outside share business	A49 C3	A50 c(111)			Same as 1986 Schedule
TIMABRD	Had private individual lived abroad over 1 year	B86 A	B90 (a)			Same as 1986 Schedule
TOTRBUS	Rooms (business) Total	(Calculated)	A13			Same as 1996 Schedule
TRAINBEN	Government Training Scheme - allowance received	B57 C	B56 (c)	382		Same as 1986 Schedule
TUSICBEN	Private Benefits - Last amount received	B68 B	B68 (b)	366		Same as 1986 Schedule
TUSICOPY	Private Benefits received in last year - any	B68	B68 (b)			Same as 1986 Schedule
TVEI	TVEI course attenders in Household - any	A86	A86			Same as 1986 Schedule
TVEIITMO	TVEI item number	A86	-			Not present in 1985 Schedule
TVEIPMO	Technical and Vocational Education Initiative - person no	A86 1	A86			Same as 1986 Schedule
TVMOWPAT	TV (etc) How rental paid	A48 C	A48 a(1)	A106		Do you pay for the TV set and/or TV game ... by slot meter?

170

VARIABLE	DESCRIPTION	1986		1985		DESCRIPTION
		QUESTION NO.	QUESTION NO.	QUESTION NO.	CODE NO (If any)	
TVITEMNO	TV (etc) item number	A48	-			Not present in 1985 Schedule
TVLIC	TV licence bought during last 12 months	A50	A51			In the last 12 months the following licences?
TVLICPEL	TV licence - amount paid last year	A50 A	A51	181		TV licence
TVPAYAMT	TV (etc) amount of last rental payment	A48 D	A48 (a)	195		Same as 1986 Schedule
TVPERNO	TV (etc) Person number of spender	A48 2	A48			No person number in 1985 Schedule
TVRENTED	TV (etc) item rented	A48 B	A48 (a)			Do you rent your TV set, TV game, home computer?
TVSNE	TV (etc) Any slot meter rebate received	A48 C	A48 A(1c)			Same as 1986 Schedule
TVSNEAMT	TV (etc) Amount last slot meter rebate	A48 C	A48 c(1)	194		Same as 1986 Schedule
TVTYPE	TV (etc) item type	A48 A	A48	A105, A136 A137 A141		In your (part of this) ... a TV, a TV game, a home computer?
TVVIDEO	TV (etc) Any in accommodation	A48 1	A49 (1)			Do you have a video recorder in your accommodation?
TYENPPEN	Employee - pension type	B69	-			Not present in 1985 Schedule
UNPAYAMT	Unemployment Benefit - Last amount received	B59 B	B58 (b)	362		Same as 1986 Schedule
UNEARNAM	Other unearned income - amount received	B76 A	-			Not asked in 1985 Schedule
UNEARNIN	Other unearned income received last year - any	B76	-			Not asked in 1985 Schedule
UNEMDEN	Unemployment Benefit received last year - any	B59	B58			Same as 1986 Schedule
UNITTRST	Unit Trusts - Interest/Dividends - any	B74 B	B77 (b)			Same as 1986 Schedule
UNITRSTIM	Interest/Dividends - Unit Trust	B74 B1	B77 b(1)	378		Same as 1986 Schedule
USGROPAY	Usual Gross pay - Employee	B24 B	B23 (b)	315		Same as 1986 Schedule
USNETPAY	Usual net pay - Employee	B24 A	B23 (a)	329		Same as 1986 Schedule
VEHTYPE	Type of motor vehicle owned/used	A61 3	A62			Same as 1986 Schedule
VETAXREF	Vehicle road tax refund in last year - any	A66	A67			Same as 1986 Schedule
VETAXRFAM	Vehicle tax refund - amount	A66 3	A67 (a)	179		Same as 1986 Schedule
VTRPERNO	Vehicle road tax refund - Person number	A66 1	A67			Person number not asked in 1985 Schedule
WARANT	British Savings Bonds/War loan - amount interest	B74 A1	B77 (a)	408		Same as 1986 Schedule
WARDIS	War disability pension - receiving at present	B48	B47			Same as 1986 Schedule
WARDISAM	War disability pension - amount last received	B48 A	B47 (a)	340		Same as 1986 Schedule
WAOSRATE	Water/Severage rates paid separately - any	A29	A26			Same as 1986 Schedule
WARLOAN	British Savings Bonds/War loan held - any	B74 A	B77 (a)			Same as 1986 Schedule
WEEKA	Week number of starting date of records	A006	Page A1			Same as 1986 Schedule
WELFMILK	Free Welfare Milk - number of pints in last week	A79 B	A80			Free liquid welfare milk (a) Quantity (b) Pints
WELPFMO	Free Welfare Milk - person number	A79 A	A80			Same as above
WKBUS	Business refunds by employer - amount	A93	B26			Same as 1986 Schedule
WKDEDCH	Deductions from pay for charities - amount	B16	B16	426		Same as 1986 Schedule
WKDEDFS	Deductions from pay for friendly societies - any	B16	B16			Same as 1986 Schedule
WKDLDONE	Deductions from pay others - amount 1	B16	B16	429		All other cases not specified above
WKDEDSC	Deductions from pay for sports - amount	B16	B16	422		Participant sports and specialised pastimes
WKDEDTHR	Deductions from pay - amount 3	B16	-			Not present in 1985 Schedule
WKDEDTWO	Deductions from pay - amount 2	B16	-			Not present in 1985 Schedule
WKDEDUP	Deductions from pay for union - amount	B16	B16	424		Subscription to Trade Union, Professional Association etc
WKGROSS	Gross pay - amount	B16 A1	B16 (a)			What was the gross wage/salary including superannuation
WKLINS	Life Insurance - (adjusted)	A46	A46			Same as 1986 Schedule
WKMALLNI	Mileage allowance - amount included in usual pay	B27 A	B27 B(1)			Same as 1986 Schedule
WKMILK	Mileage allowance - amount included in net pay	B17 A1	B27 A(1)			Same as 1986 Schedule
WKOTNBUS	Other Business refunds - amount in net pay	B20	B29			Same as 1986 Schedule
WKOTMOT	Motoring refunds - amount in net pay	B18 1	B28 (1)			Same as 1986 Schedule

28

VARIABLE	DESCRIPTION	1986	1985	CODE NO (if any)	DESCRIPTION
		QUESTION NO.	QUESTION NO.		
WKRENT	Rent (adjusted for rent holiday and rate rebate)	A18	A18	010	Same as 1986 Schedule
WKRRANT	Rent rebate (adjusted for rent holiday and rate rebate)	A21 A	A21 (b)	230	Same as 1986 Schedule
WKRRBND	Rate rebate (adjusted for rent holiday)	A25 A1	A28 a(1)		Same as 1986 Schedule
WKRRBDA	Rate rebate (adjusted for rent rebate)	A25	A28		Same as 1986 Schedule
WKRSINCW	Number of weeks since last worked	B04	B04	A208	Same as 1986 Schedule
WKSTRIN	Structure insurance (adjusted for rent holiday)	A43	A43		Same as 1986 Schedule
WKSUBBUS	Subsidiary Pay - Business expenses - amount	B37	B35 (a)		How much was included
WKSUBONE	Subsidiary Pay - Deductions amount 1	B35	B34		Same as 1986 Schedule
WKSUBSER	Subsidiary Pay - Gross amount	B36	B34		If pay slip consulted enter gross wage from pay slip
WKSUBTHR	Subsidiary Pay - Deductions - amount 3	B35	B34		Not present in 1985 Schedule
WKSUBTWO	Subsidiary Pay - Deductions - amount 2	B35	B34		Not present in 1985 Schedule
WKSUENP	Number of weeks paid work last year (employed)	B02	B02	A215	Same as 1986 Schedule
WKSUENUN	Number of weeks paid work last year (unemployed)	B04 A	B04 (a)	A215	Same as 1986 Schedule
WPRENT	Rent paid by employer, relative, other	A16 D3	A16 d(111)		Sam. as 1986 Schedule
WORKSTAT	Main job - self-employed or employee	B09 A	B09 (a)		Same as 1986 Schedule
WRATEPAY	Water/Severage rates - last payment	A29 B	A26 (b)	050	Same as 1986 Schedule
WRATEPER	Water rates paid - times per year	A29 A	A26 (a)		Same as 1986 Schedule
YEARA	Survey year	Page A01	Page A01		Same as 1986 Schedule

FAMILY EXPENDITURE SURVEY 1986

SPECIFICATION OF PRODUCT CODES

Notes

1. Unless stated otherwise, product codes to be formed for positive results only.
2. For product codes having values in sterling, results to be recorded to 3 decimal places of a pound.
3. For product codes having numerical values, results to be recorded as integers.
4. Codes P001 to P199 are calculated for each person. Codes P200 and above are calculated for each household.
5. Unless stated otherwise, all monetary values appear as weekly equivalents. Rateable value (code B070) appears on the household schedule as an annual value but should be recorded on the database as a weekly equivalent; rate poundage (codes B080), to be supplied separately by OPCS, should appear at the rate in the pound payable (ie as in the 1983 database).
6. Product codes P116 to P129 are accumulated at person level from all sources ie from diary record books over the 14 days of record keeping, from credit, HP, and loan records, from standing orders, and from deductions from current pay. Only item codes with qualifiers 0, 1, or 3 are accumulated. (See also Appendix B3 note 3).
7. Product codes P367 to P377, P379 and P382 include payments made via credit, HP, standing order, or deductions from current pay (because they use codes P116 to P129) removing the need for separate inclusion of credit product codes and making standing order codes B270, B271, B273 to B276 and B281 redundant.
8. In product codes P003, P007, P180 and P182 to P187, codes B422 and B424 to B429 have been replaced by equivalent diary code values accumulated from deduction from pay fields (when qualifier = 0).
9. This document specifies 209 product codes.
10. All the Check Codes shown in this document have been incorporated in the validation checks detailed in Appendix A.

FAMILY EXPENDITURE SURVEY 1984

SPECIFICATION OF PRODUCT CODES

Product codes should be formed for positive and negative answers but negative answers should be tested for and only accepted where shown.

Code	Description
<u>Personal Product Codes P001 to P199 (calculated for each individual)</u>	
P001	Take home pay, less tax refund, last time paid (main employment):- code B303 minus code B304.
P002	Take home pay, less tax refund, last week/month (main employment):- if code A250 has a value of 1, code P001.
P003	Gross wage/salary last time paid (main employment):- Sum of codes P001, B305, B306, B318, DEDSCAMT, DEDUFAMT, DEDCHAMT, DEDFSAMT, and all diary codes appearing as deductions from pay (with qualifier = 0) (See note 8 and Appendix B3).
P004	Gross wage/salary last week/month (main employment):- if code A250 has a value of 1, code P003.
P005	Gross wage/salary last time paid (main employment), 13 week rule applied:- if code A208 is not coded or has a value of less than 14, or code A209 has a value of 1 or 2, code P003.
P006	Normal take home pay (actual pay for persons working less than 8 hours per week):- if code B329 is coded, sum of codes B329 and B330; if code B329 is not coded, sum of codes P001 and B330.
P007	Normal gross wage/salary:- Sum of codes P006, B305, B306, B312, B318, DEDSCAMT, DEDUFAMT, DEDCHAMT, DEDFSAMT, and all diary codes appearing as deductions from pay (with qualifier = 0) minus code B330 (See note 8 and Appendix B3).
P008	Normal gross wage/salary, 13 week rule applied:- if code A208 is not coded or has a value of less than 14, or code A209 has a value of 1 or 2, code P007.
P009	Current contributory invalidity pension/allowance:- If code A259 is present, code B369.
P010	Current TOPS/YOP allowance:- If code A273 is present, code B382.
P011	Not used.
P012	Take home pay last week/month (subsidiary employment):- if code A255 is present, code B309.

Code	Description
P013	Current Family Income Supplement:- If code A257 is present, code B368.
P014	Gross wage/salary last week/month (subsidiary employment):- if code A255 is present, sum of codes B309, B310, B311, B319.
P015	Gross wage/salary last time paid (subsidiary employment):- sum of codes B309, B310, B311, B319.
P016	Current industrial injury disablement pension:- If code A238 is present, code B325.
P017	Male/Female child aged under 18:- If sex is male (A004=1), if age (A005) is less than 18, if marital status (A006) is 3 or 4 (single), the product code has a value of 1. If sex is female (A004=2), if age (A005) is less than 18, if marital status (A006) is 3 or 4 (single), the product code has a value of 2.
P018	Not used - now combined with P017
P019	Male/Female adult:- If sex is male (A004=1), if P017 is not coded, the product code has a value of 1. If sex is female (A004=2), if P017 is not coded, the product code has a value of 2.
P020	Not used.
P021	Person working (new definition as from 1982):- If code A201 has a value from 1 to 4, code A210 is coded, and code A208 has a value of less than 53, the product code has a value of 1, unless code A201 has a value of 2, code B326 has a positive value of less than £5.00* and code A203 has a value of 20 or 22, when P021 will be zero.
P022	Current unemployment benefit:- If code A223 is present, code B362.
P023	Current sickness/industrial injury benefit:- If code A225 is present, code B363.
P024	Not used - now combined with P019
P025	Current Supplementary allowance:- If code A229 is present, code B365.
P026	Not required - few recordings and easily derived.
P027	Not required - few recordings and easily derived.

*The limiting value was £5.00 in 1985; the 1986 figure is also £5.00
Note the change in 1985 and 1986 from the range '0.000 - 5.000' to '0.001 - 5.000'.

Code	Description
P028	Social Security benefits concurrent with earnings:- If code A250 has a value of 1, and either code A208 is not coded or code A209 has a value of 1 or 2, sum of codes P009, P022, P023, P025.
P029	NI contributions paid by non-employees:- Sum of codes B336 and B386, minus sum of codes B306 and B311.
P030	Social Security and other benefits excluded from income calculation by operation of 13 week rule:- If code P008 is coded, sum of codes P009, P010, P022, P023, P025 minus P028, plus, if code A231 is present, code B366, plus, if code A240 is present, code B341.
P031	Social Security benefits included in income calculation:- Sum of codes P013, P016, P028, B337, B338, B339, B340, B394, B417, B418, B421 plus if code P008 is not coded, codes P009, P010, P022, P023, P025, plus, if code A240 is coded, code B341, (plus if code A233 is coded, code B367). Note that the item in brackets replaces code P027.
P032	Not required - few recordings and easily derived.
P033	Social Security Retirement, Old Age, Widows pensions:- Sum of codes B338 and B339.
P034	Industrial injury disablement pension; family allowance/child benefit; war disability pension; lump sum Christmas bonus to pensioners; mobility allowance; non-contributory invalidity pension; attendance allowance: sum of codes P016, B337, B340, B394, B417, B418, B421.
P035	Retired and of minimum NI pension age:- If code A201 has a value of 6 and sex is male (A004=1) and age (A005) greater than 64, or sex is female (A004=2) and age (A005) greater than 59, the product code has a value of 1.
P036	Unoccupied and of minimum NI pension age:- If code P021 is not coded and code A201 is not coded value 6, and sex is male (A004=1) and age (A005) greater than 64, or sex is female (A004=2) and age (A005) greater than 59, the product code has a value of 1.
P037	Income from subsidiary self-employment:- If code A214 is coded and code A201 has a value of 1, 3 or 4, sum of codes B326 and B328. If code A214 is coded and code A201 has a value of 2, code B328.

Code	Description
P038	Not required - easily derived.
P039 to P043	Not used.
P044 to P046	Not required - easily derived/duplicated.
P047	Income from self-employment (main or only occupation):- If code A201 has a value of 2 ^{or 3} , sum of codes B326, B328, minus code P037.
P048	Income from investments:- Sum of codes B333, B360, B371, B373, B374, B384, B408, (and B378 multiplied by 1.4286 and B376 multiplied by .2658) Note that the item in brackets replaces codes P044 and P046.
P049	Income from pensions, annuities:- Sum of codes B346, B347, B348, B349.
P050	Income from other sources:- Sum of codes B316, B352, B381, B385, B392, B396 minus code B361, plus, if code A275 is coded, code B383, (plus, if code P005 is not coded and code A231 is present, code B366). Note that the item in brackets replaces code P026.
P051	Total personal gross income (normal):- Sum of codes P008, P015, P031, P037, P047, P048, P049, P050.
P052	Person seeking work, not previously employed:- If code A201 has a value of 3 or 4, if code A210 is not coded, the product code has a value of 1 for males, 2 for females, according to the value of A004.

Code	Description
P053	Total personal gross income (current):- Sum of codes P004, P015, P030, P031, P037, P047, P048, P049, P050 plus, if code A279 is present, code B388.
P054	Subsidiary job held:- If either code A212 or code A214 is coded, the product code has a value of 1.
<u>Betting, payments less winnings (negative answers acceptable):-</u>	
P055-P058	Not required - easily derived (Use D811 to D814 and D821 to D824)
P059	Not used after 1984.
<u>Pensioner income:-</u>	
P060	If sex is male (A004=1), if age (A005) is greater than 59 but less than 65, sum of codes P016 and B340, B394 plus, if either code P016 or code B340 is coded and code P008 is not coded, code P025.
P061	If sex is female (A004=2) and age (A005) is greater than 59, or if sex is male and age is greater than 64, sum of codes P016, P028, B338, B339, B340, B394, B417, B418, B421.
P062	If code P008 is not coded, if sex is female (A004=2) and age (A005) is greater than 59, or if sex is male (A004=1) and age (A005) is greater than 64, sum of codes P022, P023, P025, P009.
<u>Components of normal gross wage/salary, 13 week rule applied</u>	
P063	NI employees contribution:- Code B311, plus, if code P008 is coded, code B306.
P064	Check code - Not required on database.
P065	PAYE tax deduction:- Code B310, plus, if code P008 is coded, code B305.
P066	PAYE tax refund:- If code A208 is not coded, or has a value of less than 14, or code A209 has a value of 1 or 2, code B304.
P067	Income tax, payments less refunds, 13 week rule applied (negatives acceptable):- Sum of codes P065, B347, B349, B387, minus sum of codes P066, B390, (plus B378 multiplied by 0.4286 plus B376 multiplied by 0.2658). Note that the items in brackets replace codes P044 and P046.

Code	Description
P068 to P070	Not required - duplicated by D codes
P071	Current superannuation contributions:- If either code A250 or code A255 is coded, sum of codes B318, B319.
P072	Male/Female, single, aged 16 to 18:- If code P017 is coded 1 and code A005 is greater than 15, the product code has a value of 1. If code P017 is coded 2 and code A005 is greater than 15, the product code has a value of 2.
P073	Not used - now combined with P072.
P074	Not used.
P075	Current NI employees contribution:- If either code A250 or code A255 is coded, sum of codes B306 and B311.
P076	Not used.
P077	Current PAYE tax deduction:- If either code A250 or code A255 is coded, sum of codes B305 and B310.
P078	Current PAYE tax refund:- If code A250 is coded, code B304.
P079	Income tax payments less refunds (negative answers acceptable):- Sum of codes P077, B347, B349, B387, minus sum of codes P078, B390, (plus B378 multiplied by 0.4286 plus B376 multiplied by 0.2658). Note that the items in brackets replace codes P044 and P046.
P080	Not required - easily derived/duplicated.
P081	Not required - (see P304).
P082 to P094	Not required - easily derived/duplicated.
P095	Not required - (see P317)
P096 to P100	Not required - easily derived/duplicated.
P101	Not required - (see P305)

(1985 Codes P102 to P115 are not required as they are easily derived. For old P115 see new P318)

Credit Expenditure

Note: For Codes P102 to P115, if the codes listed appear as values for LITEMPUR (Record 77)
 HPITEMA (Record 78)
 CLUBIPUT (Record 80)
 or CCITCODE (Record 116)
 the following corresponding values should be summed provided that the qualifier code for that item is zero (LQUAL,HPQUAL,CLUBQUAL, or CCQUAL respectively =0):

If code is valid at LITEMPUR sum weekly equivalent of LOANREP (WKLY275) and (if obtained less than 3 months before ie LORIGPAY not coded) weekly equivalent of LOANDEP (INB242L).

If code is valid at HPITEMA sum weekly equivalent of HPINSTAL (WKLY291) and weekly equivalent of HPDEPOS (INB242H).

If code is valid at CLUBIPUT sum weekly equivalent of CLUBSCOS (CLUBWEVL).

If code is valid at CCITCODE sum weekly equivalent of CCCASHPR (CCCASHPR / 2).

P102 Housing:-

Sum of credit codes for 224, 235, 236, 237, 238, 239, 785.

P103 Fuel, light, and power:-

Sum of credit codes for 225, 226, 240, 242, 252, 254, 255, 259.

P104 Food:-

Sum of credit codes for 101 to 105, 108, 111 to 115, 121, 122, 123, 127, 129 to 133, 138, 140 to 144, 146, 149, 150, 151, 154, 155, 156, 158, 160, 163, 165, 171, 172, 173, 181 to 185, 191, 192, 195, 196, 197, 199, 840 to 857.

P105 Alcoholic Drink:-

Sum of credit codes for 280, 281, 283 to 286, 289, 290, 291, 293 to 296, 299.

P106 Tobacco:-

Sum of credit codes for 211, 212, 213.

P107 Clothing and footwear:-

Sum of credit codes for 301, 303, 304, 311, 313, 314, 321, 323, 324, 325, 327 to 332, 334, 341, 342, 343, 349.

P108 Durable Household Goods:-

Sum of credit codes for 401, 404, 405, 407 to 414, 417, 419, 420, 422, 423, 431, 434, 436, 601, 603, 604, 784, 786.

P109 Other Goods:-

Sum of credit codes for 611, 612, 621 to 625, 631, 632, 634, 641 to 644, 648, 721, 722, 723, 731 to 734, 741, 745, 746, 749.

CODE	DESCRIPTION
P110	Transport and vehicles:- Sum of credit codes for 501, 502, 503, 505, 508 to 512, 541, 542, 545, 546, 548, 549, 551 to 557, 559.
P111	Services:- Sum of credit codes for 227, 228, 229, 751, 752, 756, 757, 759, 760 to 764, 766 to 773, 775, 781, 782, 787 to 791, 793, 796 to 799, 802, 804 to 807.
P112	Miscellaneous:- Sum of credit codes for 750,801.
P113	Credit Component of total personal expenditure:- Sum of codes P102 to P112.
P114	Other Credit Expenditure:- Sum of credit codes for 216, 221, 222, 223, 230, 803.
P115	Credit expenditure on permanent second dwelling:- Sum of credit codes for 225 to 230.

Personal Expenditure (Codes P116 to P129) (See Note 6)

Values are accumulated from all sources (eg record books, credit HP, standing orders) into PDCODVAL for both expenditure weeks

P116	Housing:- Sum of Record 89 PDRCODEs 224, 235, 236, 237, 238, 239, 785 (See note 6).
P117	Fuel, light, and power:- Sum of Record 89 PDRCODEs 225,226,240, 242, 252, 254, 255, 259 and B321.
P118	Food:- Sum of Record 89 PDRCODEs 101 to 105, 108, 111 to 115, 121, 122, 123, 127, 129 to 133, 138, 140 to 144, 146, 149, 150, 151, 154, 155, 156, 158, 160, 163, 165, 171, 172, 173, 181 to 185, 191, 192, 195, 196, 197, 199, 840 to 857.
P119	Alcoholic Drink:- Sum of Record 89 PDRCODEs 280, 281, 283 to 286, 289,290,291, 293 to 296, 299.
P120	Tobacco:- Sum of Record 89 PDRCODEs 211, 212, 213.
P121	Clothing and footwear:- Sum of Record 89 PDRCODEs 301, 303, 304, 311,313, 314, 321, 323, 324, 325, 327 to 332, 334, 341, 342, 343, 349.
P122	Durable Household Goods:- Sum of Record 89 PDRCODEs 401,404, 405, 407 to 414, 417, 419, 420, 422, 423, 431, 434, 436, 601, 603, 604, 784, 786.
P123	Other Goods:- Sum of Record 89 PDRCODEs 611, 612, 621 to 625, 631, 632, 634, 641 to 644, 648, 721, 722, 723, 731 to 734, 741, 745, 746, 749.

182

30 JAN 1986

Code	Description
P 124	Transport and vehicles:- Sum of Record 89 PDRCODEs 501, 502, 503, 505, 508 to 512, 541, 542, 545, 546, 548, 549, 551 to 557, 559.
P 125	Services:- Sum of Record 89 PDRCODEs 227, 228, 229, 751, 752, 756, 757, 759, 760 to 764, 766 to 773, 775, 781, 782, 787 to 791, 793, 796 to 799, 802, 804 to 807, and B334.
P 126	Miscellaneous:- Sum of Record 89 PDRCODEs 750, 801 and B397.
P 127	Total personal expenditure:- Sum of codes P116 to P126.
P 128	Other payments (negative answers acceptable):- Sum of Record 89 PDRCODEs 216, 221, 222, 223, 230, 803, 811 to 814, minus 821 to 824 and P029, P071, P075, P079.
P 129	Credit expenditure on permanent second dwelling:- Sum of Record 89 PDRCODEs 225 to 230.
P130 to P142	CSO Personal Product Codes (No DE Interest)
P143	Not required - few recordings and easily derived.
P144	Person with a company provided car:- If Code A285 has a value of 1 or 2, the product code =1
P145	NOT USED
P146 to P153	Not required - easily derived.
P154 to P159	Check codes - not required on database
P160	Not required (see P203)
P161	Not required - easily derived.
P162	No DE Interest - CSO.
P163	Not required - (See P316).
P164	No DE Interest - CSO.
P165	Not required - easily derived.
P166	No DE Interest - CSO.
P167	No DE Interest - CSO.
P168	Check Code - not required on database.
P169	Current earnings from work as a mail order agent and/or baby sitter:- If code A275 is present, code B383.
P170	No DE Interest - CSO.

133

29 JAN 1986

Code	Description
P171	No DE Interest - CSO.
P172	Check code - not required on database.
P173	Current Statutory Sick Pay:- If code A279 is present, code B388.
P174	No DE Interest.
P175	Social Security benefits received by employees away from work without pay more than 2 weeks:- If code A208 has a value of more than 2, and code A209 is not coded or has a value of 3, sum of codes P009, P010, P022, P023, P025, P173, (plus if A240 is present code B341). Note that the item in brackets replaces code P032.
P176	Total personal gross income (2 week rule):- Sum of codes P013, P016, P028, P033, P034, P037, P047 to P050, P175, (plus if A233 is present code B367) plus if code A208 is not coded or has a value of less than 3, or code A209 has a value of 1 or 2, codes P007 and P015. Note that the item in brackets replaces code P027.
P177	Personal gross income, less tax and NI conts (negative answers acceptable):- Code P051 minus sum of codes P029, P075, P079.
P178	Not required - derive with A201=3
P179	Scholarship income from Schedule B:- Code B392, minus code B361.

Deductions from Pay, if Current (see note 8)

(Codes P180 and P182 to P187 are required on the database).

P180	Participant sports and specialised pastimes:- If code A250 is coded, diary code 764 if appearing as a <i>↳ DEBSAMT and</i> deduction from pay.
P181	Not used.
P182	Subscriptions to TUs, Professional Associations etc:- If code A250 is coded, diary code 796 if appearing as a <i>↳ DEUFAMT and</i> deduction from pay.

Code

Description

- P183 Other subscriptions:-
If code A250 is coded, diary code 797 if appearing as a deduction from pay
- P184 Charitable gifts:-
If code A250 is coded, ^{DEDUCTION and} diary code 798 if appearing as a deduction from pay
- P185 Miscellaneous expenditure on services:-
If code A250 is coded, diary code 799 if appearing as a deduction from pay
- P186 Cash gifts not allocated elsewhere:-
If code A250 is coded, diary code 802 if appearing as a deduction from pay
- P187 All other deductions from pay not specified above:-
If code A250 is coded, sum of all diary codes other than those listed above if appearing as deductions from pay.
- P188 Normal gross wage/salary of employees at work:-
If code P004 is coded, code P007.
- P189 Total personal gross income (current) using normal wage/salary of employees at work:-
Sum of codes P015, P030, P031, P037, P047, P048, P049, P050, P188.
- P190 Tax Unit identifier:-
If code A009 has a value of 1 or if code A006 has a value of 2 and code A009 has a value of 2, the product code has a value of 1.
- P191 and Inland Revenue and DHSS Income Codes (No DE Interest)
P193 to
P197
- P192 and Check codes - not required on database.
P198
- P199 Normal gross weekly earnings of employees, main and subsidiary occupation:-
Sum of codes P007, P015.

24 JAN 19

Code

Description

Household Product Codes P200 to P592 (calculated for each household - P, B and D Codes to be summed across all persons in the household)

- P200 Number of rooms occupied (DE basis):-
Code A 112 divided by 2, plus code A 111.
- P201 No DE Interest - CSO.
- P202 No DE Interest - CSO.
- P203 Current supplementary benefit received by head or wife of family unit
No. 1:- ^{TAYWMT (=} If code A008) has a value of 1, ^{and} if code A009 has a value of 1 or 2, code P025.
- P204 Housing Benefits for Certificated Claimants:-
If codes P160 present, sum of codes B040, B047, B174, B230. If code A173 is present, minus codes B040 and B047.

Rates rebate:-

- P205210 (All Tenures) Sum of codes B040 and B047.

Calculated rates:-

- P211216 (All Tenures) Code B070 multiplied by B080.

Constants for adjusted rateable values:-

P217219C Regional Code:

- If PAFREG has a value greater than 24 Code = 1
- If PAFREG has a value in range 20-24 Code = 2
- If PAFREG has a value less than 20 Code = 3

P217219V Value of constant
Values in 1984 were:

	P217219C = 1 Northern Ireland	P217219C = 2 Scotland	P217219C = 3 England & Wales
Q1 (A099-1)	4740	1709	4101
Q2 (A099-2)	4793	1720	4128
Q3 (A099-3)	5131	1794	4296
Q4 (A099-4)	5148	1798	4304

22 JAN 1980

Code	Description
	<u>Housing Benefit/Rent Rebate or Allowance/Rate Rebate</u>
P220	Sum of Codes B040, B047 , B174, B230. If A173 is present minus code B040 and B047 ^{P205210} P205210.
	<u>Calculated rates, less rates rebate:-</u>
P221226	(All Tenures) Code P211216 minus code P205210
	<u>Housing Benefit/Rent Rebate or Allowance/Rate Rebate</u>
P227232	Not required - easily derived - (Use P220 with A121 Tenures 1 to 7)
	<u>100% Housing Benefit</u>
P233235	Not required - easily derived -(Use B174 with A121 Tenures 1 to 4)
	<u>Partial Housing Benefit</u>
P236238	Not required - easily derived -(Use B230 with A121 Tenures 1 to 4).
	<u>Owner-occupiers and rent-free rateable value:-</u>
P239240	If A121 = 5 or 6 or 7 code B070 divided by code P200 multiplied by code A114.
	<u>Gross value (weekly values)</u>
P241246	a.NRV less than £37 pa Code B070 multiplied by 1.82 b.NRV £37 but less than £81 pa Code B070 multiplied by 1.43, plus 26 c.NRV £81 but less than £238 pa Code B070 multiplied by 1.20, plus 61 d.NRV £238 " " " £248 pa Code B070 plus 154 e.NRV £248 " " " £331 pa Code B070 multiplied by 1.25, plus 33.7 f.NRV £331 and over Code B070 multiplied by 1.20, plus 65.4
P247	Not required - easily derived/duplicated.
P248	TV Slot meter payments, less rebates (negative answers acceptable):- Code D768 minus code B194.
P249	Gas, slot meter payments less rebates (negative answers acceptable):- Code D254 minus code B173.
P250	Electricity, slot meter payments less rebates (negative answers acceptable):- Code D255 minus code B178.

Code	Description
------	-------------

Gross value (per annum):-

P251 Not required - easily derived.
to P256

Gross rent (including rates if not paid separately)

P257259 ~~(Use with Tenures 1 to 3)~~ ^{if A121 = 1, or 2, or 3, or 4,} Sum of codes B010, B020, B174, B230.

Company Cars

P260 Not used.

P261 Household with company provided car(s) (ie number of persons with company provided car(s) in the household):-
This product code has a value equal to the sum of codes P144 for persons within the household.

P262 Household with company provided car(s) and privately owned car(s):-
If code P261 is greater than zero and code A149 is not zero, the product code has a value of 1.

P263 to P266 NOT USED

Adjusted rateable values:-

P267269 ~~(Valid only for Tenures 5 to 7)~~ ^{if A121 = 5, or 6, or 7} Code P239240, multiplied by P217219V divided by 1,000.

P270 NOT USED.

Calculated rent/water charges

P271273 ~~(Use with Tenures 1 to 4)~~ ^{if A121 = 1, 2 or 3 or 4,} = Sum of codes B010, B020, B030, B050, P220 minus code P211216.
~~(Note P220 replaces P227232).~~

P274 to P276 Not used.

P277 Not required - easily derived - use P267269.

P279 to P280 Not used.

Code	Description
------	-------------

Net Housing Costs

P281286 (All Tenures) = Sum of codes B010, B020, B030, B050, B060, B110 and P267269.

P287)
P288) NOT USED.

P289 Not required - easily derived.

P290 NOT USED.

Rateable value (per annum):-

P291 Not required - easily derived.
to P296

P297 SOEC Codes - No DE Interest
to P299

Normal gross wage/salary (main employment) 13 week rule applied:-

P300 Household = Code P008.
P301 Head = If A001=1, Code P008
P302 Wife = If A002=1 and A004=2, code P008
P303 Others = Code P300, minus sum of codes P301, P302.

P304 Head of Household unemployed: If A001=1 and A201 has a value 3, the product code has a value of 1. (was P081)

P305 Wife of Head of Household unemployed: If A002=1 and A004=2 and A201 has a value 3, the product code has a value of 1. (was P101).

P306 NOT USED.
to P307

Gross wage/salary last week/month (subsidiary employment):-

P308 Household = Code P014.
P309 Head = If A001=1, code P014
P310 Wife = If A002=1 and A004=2, code P014
P311 Others = Code P308, minus sum of codes P309, P310.

Code

Description

Gross wage/salary last time paid (subsidiary employment):-

P312 Household = Code P015.
P313 Head = If A001=1, code P015.
P314 Wife = If A002=1 and A004=2, code P015.
P315 Others = Code P312, minus sum of codes P313, P314.

Imputed Income from Schedule B:-

P316 Household = Sum of codes B320, B322, B327* (accumulated to Household level)
P317 Head = If A001=1, sum of codes B320, B322, B327*.
P318 Wife = If A002=1 and A004=2, sum of codes B320, B322, B327*.
P319 Others = Code P316 minus sum of codes P317, P318

Income from self-employment:-

P320 Household = Sum of codes P037, P047.
P321 Head = If A001=1 sum of code P037, P047
P322 Wife = If A002=1 and A004=2, sum of codes P037, P047
P323 Others = Code P320, minus sum of codes P321, P322.

Income from investments:-

P324 Household = Code P048.
P325 Head = If A001=1, Code P048
P326 Wife = If A002=1 and A004=2, code P048
P327 Others = Code P324, minus sum of codes P325, P326.

Incomes from pensions, annuities:-

P328 Household = Code P049.
P329 Head = If A001=1, Code P049.
P330 Wife = If A002=1 and A004=2, code P049.
P331 Others = Code P328, minus sum of codes P329, P330.

Social Security Retirement, Old Age, Widows pension:-

P332 Household = Code P033.
P333 Head = If A001=1, Code P033
P334 Wife = If A002=1 and A004=2, Code P033
P335 Others = Code P332, minus sum of codes P333, P334.

* B327 is the sum of all diary items with a qualifier code of '1' to indicate a "self supply" item of expenditure.

Code	Description
------	-------------

Other Social Security benefits:-

P336 Household = Code P031, minus code P033.
P337 Head = If A001=1, (P031 minus P033).
Note item in brackets replaces code 089P.
P338 Wife = If A002=1 and A004=2, (Code P031 minus Code P033).
Note item in brackets replaces code 109P.
P339 Others = Code P336, minus sum of codes P337, P338.

Income from other sources:-

P340 Household = Code P050.
P341 Head = If A001=1, Code P050.
P342 Wife = If A002=1 and A004=2, Code P050.
P343 Others = Code P340, minus sum of codes P341, P342.

Normal gross income:-

P344 Household = Sum of codes P051, P267269.
P345 Head = If A001=1, Sum of codes P051, P267269.
P346 Wife = If A002=1 and A004=2, Code P051.
P347 Others = Code P344, minus sum of codes P345, P346.

Social Security benefits:-

P348 Household = Sum of codes P332 and P336
P349 Head = Sum of codes P333 and P337
P350 Wife = Sum of codes P334 and P338
P351 Others = Sum of codes P335 and P339

Current gross income:-

P352 Household = Sum of codes P053, P267269.
P353 Head = If A001=1, Sum of codes P053, P267269
P354 Wife = If A002=1 and A004=2, Code P053.
P355 Others = Code P352, minus sum of codes P353, P354.

Normal gross wage/salary (main and subsidiary employment) 13 week rule applied

P356 Household = Sum of codes P300 and P312
P357 Head = Sum of codes P301 and P313
P358 Wife = Sum of codes P302 and P314
P359 Others = Sum of codes P303 and P315

Code

Description

Betting, payments less winnings (negative answers acceptable):-

- P360-P363 Not required - easily derived - (Use D811 to D814 and D821 to D824)
- P364 Pensioner Income (DE definition):-
Sum of codes P060, P061, P062.
- P365 Pensioner Household:-
If code P364, divided by code P344, multiplied by 1,000, is greater than 749, the product code has a value of 1.
- P366 Not required - easily derived/duplicated.

Expenditure:-

- P367 Housing (Net):-
Sum of codes P281286, P116 (see note 7).
- P368 Fuel, light and power (negative answers acceptable):-
Sum of codes P117 (see note 7), B017, B027, B170, B175, B221, B222, minus sum of codes B173 and B178.
- P369 Food:-
Sum of codes B260, P118 (see note 7).
- P370 Alcoholic Drink:-
Sum of codes P119 (see note 7).
- P371 Tobacco:-
Sum of codes P120 (see note 7).
- P372 Clothing and Footwear:-
Sum of codes P121 (see note 7).
- P373 Durable Household Goods:-
Sum of codes B168, P122 (see note 7).

Code	Description
P374	Other goods:- Sum of codes P123 (see note 7).
P375	Transport and Vehicles (negative answers acceptable):- Sum of codes P124 (see note 7), B158, B187, B188, B191, B219, B244, B245, B247, B255, minus code B179.
P376	Services (negative answers acceptable):- Sum of codes P125 (see note 7), B160, B162, B164, B166, B180, B181, B195, B254, minus code B194.
P377	Miscellaneous:- Sum of codes P126 (see note 7).
P378	Total Expenditure:- Sum of codes P367 to P377.
P379	Other payments (negative answers acceptable):- Sum of codes P128 (see note 7), B130, B196 to B200, B206, B208, B213, B229.
P380	Total Expenditure, plus imputed values:- Sum of codes P316, B259, B263, P378, minus code B327*.
P381	Expenditure on permanent second dwelling:- Code P129.
P382	Housing (Gross):- Sum of codes P281286, P220, P116 (see note 7).
P383 to P384	NOT USED
	<u>Income:-</u>
P385	Gross Household income, based on "normal" earnings:- Sum of codes P007, P013, P015, P028, P033, P034, P037, P047 to P050, P267269, (plus if A233 present code B367)*. Note that the item in brackets replaces code P027.
P386	Gross Household income, based on "actual" earnings, if absent less than 14 weeks, or Social Security benefits if absent 14 weeks or more:- Sum of codes P005, P015, P031, P037, P047 to P050, P267269.

* B327 is the sum of all diary items with a qualifier code of '1' to indicate a "self supply" item of expenditure. Note that B327 must be accumulated to household level

B367 must be accumulated to household level from all persons in the household for whom A233 is present

22 JAN 1987

Code	Description
P387	Gross Household income, based on "actual" earnings:- Sum of codes P003, P013, P015, P028, P033, P034, P037, P047 to P050, P173, P267269 (plus if A233 present Code B367). Note that the item in brackets replaces code P027 and that P387 can also be defined as P385 minus P007 plus P003 plus P173.
P388	Current NI employees contribution:- Code P075.
P389	Gross household income, less tax and NI conts (negative answers acceptable):- Sum of codes P177, P267269.
P390	Current PAYE tax deduction:- Code P077.
P391	Current PAYE tax refund:- Code P078.
P392	Income tax, payments less refunds, (negative answers acceptable):- Code P079.
P393	Income tax, payments less refunds, 13 week rule applied (negative answer acceptable):- Code P067.
P394	Current gross income based on normal wage/salary of employees at work:- Sum of codes P189, P267269.
P395	Normal gross income, excluding tax and NI contributions, but including value of self supply goods and income in kind:- Sum of P316, P289 , P344, minus sum of codes P029, P388, P392. <i>↳ B259, B263,</i>
P396	Age of Head of Household:- If PERSNO = 1, Code A005.
P397	Not required - easily derived.
P398	Age of Wife of Head of Household:- If A002 EQ1 and A004 EQ2, code A005.
P399	Normal gross income, excluding tax and NI contributions, but including income in kind (not self supply goods):- Sum of codes P316, P289, P344, minus sum of codes P029, B327*, P388, P392. (ie P395 minus B327*)

* B327 is the sum of all diary items with a qualifier code of '1' to indicate a "self supply" item of expenditure. Note that B327 is itself used as a replacement for P045, and must be accumulated to household level

Code	Description
------	-------------

P400 CSO Household Product Codes - No DE Interest
to P413

P414 No DE Interest - DoE or CSO
to P421

P422) NOT USED.
P423)

P424 Not required - easily derived.

Main source of household income

P425431C Code represents the source of household income which
is greater than any other source of household income.
Codes are:

1	Wages and salaries	(P300 + P312)
2	Self employment income	(P320)
3	Investment Income	(P324)
4	Annuities and pensions	(P328)
5	Social Security Benefits	(P348)
6	Imputed Income	(P267269)
7	Income from other sources	(P340)

P425431V Value of the main source of household income (ie the
largest value out of the codes listed at P425431C, above.

P432 to P444 NOT USED (See P102 to P115)

P445 to
P447 NOT USED.

P448 Not required - easily derived.

P449 to
P451 Not required - easily derived

P452 No DE Interest - CSO.

P453 Not required (see P316)

P454 to
P460 No DE Interest - DOE or CSO

22 JAN 1986

Code	Description
P461 to P469	NOT USED
P470	Consumers expenditure:- Sum of codes P071, P378, B196, B197, B198, B199, B206.
P471	Not used - combined with P470.
P472 to P476	NOT USED
P477	Not required - duplicated
P478	NOT USED.
P479	Number of Tax Units in household Code P190.
P480 to P490	Not required - easily derived/duplicated
P491	Normal Gross Income (2 week rule):- Sum of Codes P176, P267269
P492	"Index" household:- The product code has a value of 1 if code P365 is not coded and if code P345 has a value of less than:- £350 (1st quarter) £350 (2nd quarter) £350 (3rd quarter) - estimated £350 (4th quarter) - estimated 5 NB 1984 values
P493	"Wealthy" Household:- If codes P365 and P492 are not coded, the product code has a value of 1.
<u>Supplementary Benefit Households</u>	
P494 to P497	Not required - easily derived
Calculated water rates:	
P498503	Not required - see P566566 (All Tenures). Code B231 multiplied by code B070, plus code B234. (Better moved to before P567572).
P504	No DE Interest
P505	Not required - easily derived.
P506 to P511	NOT USED

15 JAN 1986

Code	Description
P512	Not required - from 1986 part of A062.
P513	Check Code - not required on database.
	<u>Interest/Principal mortgages - Last instalment where interest element is known</u>
P514518	If code B150 is coded, code B200.
P519 to P522	NOT USED
P523	Not required - same as P514518
P524 to P530	Check Codes - Not required on database
P531 to P536	Not required - easily derived/duplicated
P537 to P541, P543, P544, P546, P547	Check codes. Not required on database
P542, P545, P548, P550	NOT USED.
P551 to P566	Not required - easily derived.
P566566	<p><u>Calculated sewerage rates:-</u></p> <p><u>Calculated water rates:-</u> (All Tenures). Code B321 multiplied by code B070, plus Code B234.</p>
P567572	(All Tenures) Code B232 multiplied by code B070, plus code B235.
	<u>Calculated environmental rates:-</u>
P573578	(All Tenures) Code B233 multiplied by code B070.
	<u>Calculated domestic, sewerage and environmental rates, less rates rebate:-</u>
P579584	(All Tenures) Codes P221226, P567572, P573578.
	<u>Calculated gross rent:-</u>
P585587	<p>If A121 = 1, or 2, or 3, or 4, (Use with Tenures 1 to 3) P271273 minus sum of codes P566566, P567572, P573578. P498503</p>
P588 to P592	Check codes. Not required on database.

15 JAN 1995

197

1. Code	Uses these codes...																						
P001		B303	B304																				
* P002	P001	A250																					
P003	P001	B305	B306	B318	BEDESAHT BEDESAHT BEDESAHT all diary codes if appearing or deductions from pay																	BEDESAHT	
P004	P003	A250																					
P005	P003	A208	A209																				
* P006	P001	B329	B330																				
P007	P006	B305	B306	B312	B318	B330	BEDESAHT BEDESAHT BEDESAHT all diary codes if appearing or deductions from pay																BEDESAHT
P008	P007	A208	A209																				
P009	A259	B369																					
P010	A273	B382																					
P011	Not used																						
P012	A255	B309																					
P013	A257	B368																					
P014	A255	B309	B310	B311	B319																		
P015	B309	B310	B311	B319																			
P016	A238	B325																					
P017	A004	A005	A006																				
P018	(Amalgamated with P017)																						
P019	P017	A004																					
P020	Not used																						
P021	A201	A209	A210	A203	B326																		
P022	A223	B362																					
P023	A225	B363																					
P024	(Amalgamated with P019)																						
P025	A225	B365																					
P026	Not used																						
P027	Not used																						
P028	P009	P022	P023	P025	A208	A209	A250																
P029	B306	B311	B336	B386																			
P030	P008	P009	P010	P022	P023	P025	P028	A231	A240	B366	B341	B387	B358	B339	B340	B341	B367	B394	B417	B418	B421		
P031	P008	P009	P010	P013	P016	P022	P023	P025	P028	A233	A240	B366	B341	B387	B358	B339	B340	B341	B367	B394	B417	B418	B421
P032	Not used																						
P033	B339																						
P034	P016	B337	B340	B394	B417	B418	B421																
P035	P021	A004	A005	A201																			
P036	(Amalgamated with P035)																						
P037	A201	A214	B326	B328																			
P038	Not used																						
P039	Not used																						
P040	...																						
P041	...																						
P042	...																						
P043	...																						
P044	Not used																						
P045	Not used																						

25

24 JAN 1986
198

* revised 24/1/86

2. Code...	Uses these codes....																				
P046	Not reqd																				
P047	P037	A201	B326	B329																	
P048	B333	B360	B371	B373	B374	B376	B378	B384	B408												
P049	B348	B349																			
P050	P005	A231	A275	B316	B352	B361	B366	B381	B383	B385	B392	B396									
P051	P008	P015	P031	P037	P047	P048	P049	P050													
P052	A004	A201	A210																		
P053	P004	P015	P030	P031	P037	P047	P048	P049	P050	A279	B388										
P054	A212	A214																			
P055	Not reqd																				
P056	..																				
P057	..																				
P058	..																				
P059	Not used after 1984																				
P060	P008	P016	P025	A004	A005	B340	B394														
P061	P016	P028	A004	A005	B338	B339	B340	B394	B417	B418	B421										
P062	P008	P009	P022	P023	P025	A004	A005														
P063	P008	B306	B311																		
P064	Checkmate																				
P065	P008	B305	B310																		
P066	A208	A209	B304																		
P067	P065	P066	B343	B349		B376	B378	B387	B390												
P068	Not reqd																				
P069	Not reqd																				
P070	Not reqd																				
P071	A250	A255	B318	B319																	
P072	P017	A005																			
P073	(Amalgamated with P072)																				
P074	Not used																				
P075	A250	A255	B306	B311																	
P076	Not used																				
P077	A250	A255	B305	B310																	
P078	A250	B304																			
P079	P077	P078	B343	B349		B376	B378	B387	B390												
P080	Not reqd																				
P081	Not reqd	(see P304)																			
P082	Not reqd																				
P083	..																				
P084	..																				
P085	..																				
P086	..																				
P087	..																				
P088	..																				
P089	..																				
P090	..																				
P091	..																				

26

24 JAN 199

199

2

3	Code	Uses these codes																
	P092	Not reqd																
	P093																	
	P094																	
	P095	Not reqd (see P317)																
	P096	Not reqd																
	P097																	
	P098	..																
	P099																	
	P100																	
	P101	Not reqd (see P305)																
*	P102	D224 D235 to D239	D235															
*	P103	D225 D226 D240	D242	D252	D254	D255	D259											
*	P104	D101 to P5 D108 D110 to P5	D113 to P5	D127	D129 to P5	D138	D140 to P5	D146	D149 to P5	D154 to P5	D158 to P5	D163 to P5	D171 to P5	D180 to P5	D192 to P5	D199 to P5	D200 to P5	
*	P105	D280 D281	D282 to P5	D287 to P5	D288 to P5	D299												
*	P106	D211 D212	D213															
*	P107	D301 D303	D304	D311	D313	D314	D321	D323 to P5	D327 to P5	D332	D334	D341	D342	D343	D349			
*	P108	D401 D404	D405	D407 to P5	D417	D419	D420	D422	D423	D431	D434	D436	D441	D443	D449	D454	D459	
*	P109	D511 D512	D513 to P5	D514	D512	D534	D541 to P5	D548	D549 to P5	D554 to P5	D559	D569	D574	D576	D579			
*	P110	D501 to P5	D505	D509 to P5	D514	D542	D545	D546	D549	D549	D559	D559	D559	D559				
*	P111	D727 to P5	D781	D782	D786	D787	D788 to P5	D789 to P5	D795	D791	D782	D787 to P5	D793	D796 to P5	D802	D804 to P5		
*	P112	D750	D801															
*	P113	P102	P103	P104	P105	P106	P107	P108	P109	P110	P111	P112						
*	P114	D216	D217 to P5	D230	D203													
*	P115	D225 to P5																
*	P116	D224 D235 to P5	D235															
*	P117	D321 D225	D226	D240	D242	D252	D254	D255	D259									
*	P118	D101 to P5	D108	D110 to P5	D113 to P5	D127	D129 to P5	D138	D140 to P5	D146	D149 to P5	D154 to P5	D158 to P5	D163 to P5	D171 to P5	D180 to P5	D192 to P5	D199 to P5
*	P119	D280 D281	D282 to P5	D287 to P5	D288 to P5	D299												
*	P120	D211 to P5																
*	P121	D301 D303	D304	D311	D313	D314	D321	D323 to P5	D327 to P5	D332	D334	D341	D342	D343	D349			
*	P122	D401 D404	D405	D407 to P5	D417	D419	D420	D422	D423	D431	D434	D436	D441	D443	D449	D454	D459	
*	P123	D511 D512	D513 to P5	D514	D512	D534	D541 to P5	D548	D549 to P5	D554 to P5	D559	D569	D574	D576	D579			
*	P124	D501 to P5	D505	D509 to P5	D514	D542	D545	D546	D549	D549	D559	D559	D559	D559				
*	P125	D734 D217 to P5	D781	D782	D786	D787	D788 to P5	D789 to P5	D795	D791	D782	D787 to P5	D793	D796 to P5	D802	D804 to P5		
*	P126	D397 D750	D801															
*	P127	P116 P117	P118	P119	P120	P121	P122	P123	P124	P125	P126							
*	P128	P029 P071	P075	P079		D216	D221 to P5	D230	D203	D211 to P5	D216 to P5							
*	P129	D225 D226	D227	D228	D229	D230												
	P130	to be used																
	P131																	
	P132																	
	P133																	
	P134																	
	P135																	
	P136																	
	P137																	

* revised 24/1/86

4. Code...	Uses these codes.....																			
P138	No DE hit																			
P139	..																			
P140	..																			
P141	..																			
P142	..																			
P143	Not reqd																			
# P144	Not used	A285																		
P145	Not used																			
P146	Not reqd																			
P147	..																			
P148	..																			
P149	..																			
P150	..																			
P151	..																			
P152	..																			
P153	..																			
P154	Checkcode																			
P155	..																			
P156	..																			
P157	..																			
P158	..																			
P159	..																			
P160	Not reqd																			
P161	Not reqd																			
P162	No DE hit																			
P163	Not reqd (see P316)																			
P164	No DE hit																			
P165	Not reqd																			
P166	No DE hit																			
P167	No DE hit																			
P168	Checkcode																			
P169	A275	B383																		
P170	No DE hit																			
P171	No DE hit																			
P172	Checkcode																			
P173	A279	B388																		
P174	No DE hit																			
P175	P009	P010	P022	P023	P025	P173	A208	A209	A240	B341										
P176	P007	P013	P015	P016	P028	P033	P034	P037	P047	P048	P049	P050	P175	A208	A209	A233	B367			
P177	P029	P051	P075	P079																
P178	Not reqd																			
P179	B361	B392																		
* P180	A250	DEFAMT	764	if appearing as deduction from pay																
* P181	Not used																			
* P182	A250	DEFAMT	796	if appearing as deduction from pay																
* P183	A250	797	if appearing as deduction from pay																	

28

201

29 JAN 1986

* revised 23/1/86
* revised 24/1/86

S. Code.. Uses these codes

* P184	A250	TRANSIT	798	if appearing or deduction from pay															
* P185	A250		799	if appearing or deduction from pay															
* P186	A250		802	if appearing or deduction from pay															
* P187	A250			Any other diary code if appearing as deduction from pay															
P188	P004	P007																	
P189	P015	P030	P031	P037	P047	P048	P049	P050	P188										
P190	A006	A009																	
P191	Checkcode																		
P192	No DELT																		
P193																			
P194																			
P195																			
P196																			
P197																			
P198	Checkcode																		
Personal P199	P007	P015																	
Household P200	A111	A112																	
P201	No DELT																		
P202	Not repd																		
P203	P025	TRANSIT	A009																
P204	P160	B040	B047	B174	B230	A173													
P205	P204	B040	B047																
P206	↑																		
P207	↑																		
P208	↑																		
P209	↑																		
P210	↑																		
P211	B070	B080																	
P212	↑																		
P213	↑																		
P214	↑																		
P215	↑																		
P216	↑																		
P217	↑																		
P218	↑																		
P219	↑																		
* P220	P20520		B174	B230	A173														
P221	P2216	P20520																	
P222	↑																		
P223	↑																		
P224	↑																		
P225	↑																		
P226	↑																		
P227	Not repd																		
P228																			
P229																			

Personal Household

29

202 24 JAN 1983

*revised 24/1/86

c.	Code...	Uses these codes																		
	P230	Not used																		
	P231	..																		
	P232	..																		
	P233(235)	..																		
	P234	..																		
	P235	..																		
	P236(238)	..																		
	P237	..																		
	P238	..																		
	P239(240)	P200	A114	B070	A121															
	P240	↑																		
	P241(246)	B070																		
	P242	↑																		
	P243	↑																		
	P244	↑																		
	P245	↑																		
	P246	↑																		
	P247	Not used																		
	P248	B194	D768																	
	P249	B173	D254																	
	P250	B178	D255																	
	P251	Not used																		
	P252	..																		
	P253	..																		
	P254	..																		
	P255	..																		
	P256	..																		
	P257(259)	B010	B020	B174	B230	A121														
	P258	↑																		
	P259	↑																		
	P260	Not used																		
	P261	P144																		
	P262	P261	A149																	
	P263	Not used																		
	P264	..																		
	P265	..																		
	P266	..																		
	P267(269)	P239240	P212139	A121																
	P268	↑																		
	P269	↑																		
	P270	Not used																		
	P271(273)	P220	P211216	B010	B020	B030	B050	A121												
	P272	↑																		
	P273	↑																		
	P274	Not used																		
	P275	Not used																		

30

#

3

29 JAN 1986

revised 29/1/96

7	Code ...	Uses these codes																		
	P276	Not used																		
	P277	Not used																		
	P278	Not used																		
	P279																			
	P280																			
	P281(281)	6010	6020	6030	6050	6060	6110	P267269												
	P282	↑																		
	P283	↑																		
	P284	↑																		
	P285	↑																		
	P286	↑																		
	P287	Not used																		
	P288	Not used																		
	P289	Not used																		
	P290	Not used																		
	P291	Not used																		
	P292																			
	P293																			
	P294																			
	P295																			
	P296																			
	P297	Not used																		
	P298																			
	P299																			
	P300	P008																		
	P301	P008	A001 (PERSON)																	
	P302	P008	A002	A004																
	P303	P300	P301	P302																
	P304	A001 (PERSON)	A201																	
	P305	A002	A004	A201																
	P306	Not used																		
	P307	Not used																		
	P308	P014																		
	P309	P014	A001 (PERSON)																	
	P310	P014	A002	A004																
	P311	P308	P309	P310																
	P312	P015																		
	P313	P015	A001 (PERSON)																	
	P314	P015	A002	A004																
	P315	P312	P313	P314																
	P316	B320	B322	B327*																
	P317	A001 (PERSON)	B320	B322	B327*															
	P318	A002	A004	B320	B322	B327*														
	P319	P316	P317	P318																
	P320	P037	P047																	
	P321	P037	P047	A001 (PERSON)																

* or other codes equivalent to B327

31
 New code
 New code
 New code
 24 Jan
 201

a.	Code...	Uses these codes																		
	P322	P037	P047	A002	A004															
	P323	P320	P321	P322																
	P324	P048																		
	P325	P048	A001(PERSNO)																	
	P326	P048	A002	A004																
	P327	P324	P325	P326																
	P328	P049																		
	P329	P049	A001(PERSNO)																	
	P330	P049	A002	A004																
	P331	P328	P329	P330																
	P332	P033																		
	P333	P033	A001(PERSNO)																	
	P334	P033	A002	A004																
	P335	P332	P333	P334																
	P336	P031	P033																	
	P337	P031	P033	A001(PERSNO)																
	P338	P031	P033	A002	A004															
	P339	P336	P337	P338																
	P340	P050																		
	P341	P050	A001(PERSNO)																	
	P342	P050	A002	A004																
	P343	P340	P341	P342																
	P344	P051	P287269																	
	P345	P051	P287269	A001(PERSNO)																
	P346	P051	A002	A004																
	P347	P345	P346	P344																
New code	P348	P332	P336																	
...	P349	P333	P337																	
...	P350	P334	P338																	
...	P351	P335	P339																	
...	P352	P053	P287269																	
...	P353	P053	P287269	A001(PERSNO)																
...	P354	P053	A002	A004																
...	P355	P352	P353	P354																
New code	P356	P300	P312																	
...	P357	P301	P313																	
...	P358	P302	P314																	
...	P359	P303	P315																	
	P360	Not reqd.																		
	P361	..																		
	P362	..																		
	P363	..																		
	P364	P060	P061	P062																
	P365	P364	P344																	
	P366	Not reqd.																		
	P367	P116	P281286																	

32

New code

New code

24/11/11

Code..	Uses these codes.....																	
P368	P117	B017	B027	B120	B173	B175	B178	B221	B222									
P369	P118	B260																
P370	P119																	
P371	P120																	
P372	P121																	
P373	P122*	B168																
P374	P123																	
P375	P124	B158	B186	B197	B188	B189	B191	B219	B244	B245	B247	B255	B179					
P376	P125	B160	B162	B164	B166	B180	B181	B195	B254	B194								
P377	P126																	
P378	P367	P368	P369	P370	P371	P372	P373	P374	P375	P376	P377							
P379	P128	B130	B196	B197	B198	B199	B200	B206	B208	B213	B229							
P380	B327*	P316	P378															
P381	P129																	
P382	P116	P220	P291286															
P383	Not used																	
P384	...																	
P385	P007	P013	P015	P028	P023	P034	P057	P047	P048	P049	P050	P257269	A233	B367				
P386	P005	P015	P031	P037	P047	P048	P049	P050	P257269									
P387	P003	P007	P173	P265														
P388	P075																	
P389	P177	P257269																
P390	P077																	
P391	P078																	
P392	P079																	
P393	P067																	
P394	P189	P257269																
P395	P029	P316	P344	P388	P392	B259	B263											
P396	A003	P257269																
P397	Not used																	
P398	A002	A004	A005															
P399	P395	B327*																
P400	Not used																	
P401	...																	
P402	...																	
P403	Not used																	
P404	...																	
P405	...																	
P406	Not used																	
P407	...																	
P408	...																	
P409	...																	
P410	...																	
P411	...																	
P412	...																	
P413	...																	

* or diag codes equivalent to B327*

33
206
24 JAN 1975

to	Code...	Uses these codes																		
	P414	No DE bit																		
	P415	..																		
	P416	..																		
	P417	..																		
	P418	..																		
	P419	Not used																		
	P420	Not used																		
	P421	No DE bit																		
	P422	Not used																		
	P423	Not used																		
	P424	Not used																		
	P425431C	P25269	P300	P312	P320	P324	P328	P340	P348											
	P425431V																			
	* P432	Not used																		
	* P433	..																		
	* P434	..																		
	* P435	..																		
	* P436	..																		
	* P437	..																		
	* P438	..																		
	* P439	..																		
	* P440	..																		
	* P441	..																		
	* P442	..																		
	* P443	..																		
	* P444	..																		
	P445	..																		
	P446	..																		
	P447	..																		
	P448	Not used																		
	P449	..																		
	P450	..																		
	P451	..																		
	P452	No DE bit																		
	P453	Not used																		
	P454	No DE bit																		
	P455	..																		
	P456	..																		
	P457	..																		
	P458	Not used																		
	P459	No DE bit																		

34

24 JAN 1995

337

* revised 22/1/96

12.	Code ...	Uses these codes																		
	P506	Not used																		
	P507	..																		
	P508	..																		
	P509	..																		
	P510	..																		
	P511	..																		
	P512	..																		
	P513	Checkcode																		
	P514 (518)	B150 B200																		
	P515	↑																		
	P516	↑																		
	P517	↑																		
	P518	↑																		
	P519	Not used																		
	P520	..																		
	P521	..																		
	P522	..																		
	P523	Not reqd																		
	P524	Checkcode																		
	P525	..																		
	P526	..																		
	P527	..																		
	P528	..																		
	P529	..																		
	P530	..																		
	P531	Not reqd																		
	P532	..																		
	P533	..																		
	P534	..																		
	P535	..																		
	P536	..																		
	P537	Checkcode																		
	P538	..																		
	P539	..																		
	P540	..																		
	P541	..																		
	P542	Not used																		
	P543	Checkcode																		
	P544	..																		
	P545	Not used																		
	P546	Checkcode																		
	P547	..																		
	P548	Not used																		
	P549	..																		
	P550	..																		
	P551	Not reqd																		

36

24 JAN 1993

209

5

5

PS	Code...	Uses these codes . . .
	P552	Not reqd
	P553	..
	P554	..
	P555	..
	P556	..
	P557	..
	P558	..
	P559	..
	P560	..
	P561	..
	P562	..
	P563	..
	P564	..
	P565	..
	P566-66	B070 B231 B234
	P567-67	B070 B232 B235
	P568	↑
	P569	↑
	P570	↑
	P571	↑
	P572	↑
	P573-73	B070 B233
	P574	↑
	P575	↑
	P576	↑
	P577	↑
	P578	↑
	P579-79	P21226 P57572 P573578
	P580	↑
	P581	↑
	P582	↑
	P583	↑
	P584	↑
	P585-85	P21223 P493506 P57572 P573578 A12.1
	P586	↑
	P587	↑
	P588	Obsolete
	P589	..
	P590	..
	P591	..
	P592	..

37

24 JAN 1968
210

A. Code....	Is used by these codes ... (1st generation only shown)										Codes in brackets are dashed codes - see Appendix B2									
P001 P002 P003 P004 P005 P006 P007 P008 P009 P010 P012 P013 P014 P015 P016 P017 P019 P021 P022 P023 P025 P028 P029 P030 P031 P033 P034 P035 P037 P040 P041 P042 P043 P047 P048 P049 P050 P051 P052 P053 P054	P002 P004 P053 P050 P007 P008 P030 P028 P030 P031 P030 P031 P031 P034 P019 P035 P028 P028 P028 P030 P128 P053 P051 P176 P176 P047 P051 P051 P051 P051 P177 P352 ...	P003 P005 P188 P386 P176 P031 P031 P031 P176 P309 P053 P034 P072 (A015) P030 P030 P030 P031 P177 P189 P053 P32 P385 P051 P053 P176 P176 P053 P053 P053 P344 P345 ...	P006 P387 P188 P051 P031 P175 P385 P310 P176 P060 P189 P061 (A051) P031 P031 P061 P395 P189 P336 P333 P176 P189 P189 P189 P176 P345 P354	P199 P060 P062 P199 P176 (A090) P062 P062 P176 P337 P336 P320 P324 P328 P340 (A175)	P385 P062 P175 P312 P313 P115 P203 P338 P337 P321 P321 P322 P321 P322 P325 P329 P341 (A251)	P387 P063 P065 P300 P301 P302 P313 P314 P385 P386 P385 P386 P388 P387 P322 P326 P330 P342 (B262)	P065 P300 P301 P302 P314 P385 P386 P385 P386 P385 P385 P385 P385 P386 P386 P386 P386 P385	P301 P302 P385 P386 P385 P386 P385 P385 P386 P386 P386 P385												

38

24 JAN 1986
211

B. Code....	Is used by these codes....																			
P060	P364																			
P061	P364																			
P062	P364																			
P063																				
P065	P067																			
P066	P067																			
P067	P393																			
P071	P128	P470																		
P072																				
P075	P128	P177	P388																	
P077	P079	P390																		
P079	P079	P391																		
P079	P128	P177	P392																	
P102	P113																			
P103	P113																			
P104	P113																			
P105	P113																			
P106	P113																			
P107	P113																			
P108	P113																			
P109	P113																			
P110	P113																			
P111	P113																			
P112	P113																			
P113																				
P114																				
P115	P129																			
P116	P127	P367	P382																	
P117	P127	P368																		
P118	P127	P369																		
P119	P127	P370																		
P120	P127	P371																		
P121	P127	P372																		
P122	P127	P373																		
P123	P127	P374																		
P124	P127	P375																		
P125	P127	P376																		
P126	P127	P377																		
P127																				
P128	P379																			
P129	P391																			

39

24 JAN 1986

212

*revised 24.1.86

C	Code	Is used by these codes ..																		
Personal ↑	P144	P261																		
	P169																			
	PT13	P175	P387																	
	P175	P176																		
	P176	P491																		
	P177	P389																		
	P179																			
	P188	P189																		
	P189	P394																		
	P190	P479																		
P199	(A248)																			
Household ↓	P200	P239240																		
	P203	P204																		
	P204																			
	P205210	P220	P221226																	
	P217219	P217219V																		
	P217209	P267169																		
	P220	P271273	P382																	
	P271226	P579594																		
	P29240	P267269																		
	P242246																			
	P244																			
	P249																			
	P250																			
	P257259																			
	P261	P262																		
	P262																			
	P267269	P344	P345	P352	P353	P385	P389	P394	P28286	P491	MIS43K	MIS43IV								
	P271273	P35317																		
	P281286	P367	P382																	
	P300	P303	P356	MIS43K	MIS43IV															
P301	P303	P357																		
P302	P303	P358																		
P303	P359																			
P304																				
P305																				
P308	P311																			
P309	P311																			
P310	P311																			
P311																				
P312	P315	P356	MIS43K	MIS43IV																
P313	P315	P357																		
P314	P315	P358																		

40

29 JAN 1986

213

revised 29/1/96

Code...	Is used by these codes																			
P315	P359																			
P316	P319	P380	P395																	
P317	P310																			
P318	P310																			
P319																				
P320	P323	M25431C	M25431V																	
P321	P323																			
P322	P323																			
P323																				
P324	P327	M25431C	M25431V																	
P325	P327																			
P326	P327																			
P327																				
P328	P329	M25431C	M25431V																	
P329	P331																			
P330	P331																			
P331																				
P332	P335	P348																		
P333	P335	P349																		
P334	P335	P350																		
P335	P351																			
P336	P339	P348																		
P337	P339	P349																		
P338	P339	P350																		
P339	P351																			
P340	P343	M25431C	M25431V																	
P341	P343																			
P342	P343																			
P343																				
P344	P347	P365	P395 (A059)	(A069)																
P345	P347	M492	(A060)																	
P346	P347																			
P347																				
P348	M25431C	M25431V																		
P349																				
P350																				
P351																				
P352	P355																			
P353	P355																			
P354	P355																			
P355																				
P364	P365																			
P365	M492	P493	(A069)																	
P367	P378																			

41

JAN 24 JAN 1958

A2

29 JAN 1986

215

E.	Code...	Is used by these codes...																		
	P368	P378																		
	P369	P378																		
	P370	P378																		
	P371	P378																		
	P372	P378																		
	P373	P378																		
	P374	P378																		
	P375	P378																		
	P376	P378																		
	P377	P378																		
	P378	P380	P470 (A067)																	
	P379																			
	P380																			
	P381																			
	P385	P387																		
	P386																			
	P387																			
	P389	P395																		
	P389	(A107)																		
	P390																			
	P391																			
	P392	P395																		
	P393																			
	P394																			
	P395	P399																		
	P399																			
	PL543K																			
	PL543W																			
	P470																			
	P479																			
	P491																			
	P492	P493 (A069)																		
	P493	(A069)																		
	P512																			
	PS14518																			
	PS66561	PS85587																		
	PS71672	PS79004 PS85587																		
	PS73673	PS79504 PS85587																		
	PS79684																			
	PS85587																			

* Total 209 Product Codes

* revised 29/1/86

Codes in brackets are derived codes - see Appendix B2

F.	Code...	Is used by these codes (1st generation only is shown)																				
A001	P301	P304	P309	P313	P317	P321	P325	P329	P333	P337	P341	P345	P396									
(PESNO)	(A025)	(A026)	(A027)	(A028)	(A029)	(A030)	(A031)	(A032)	(A033)	(A034)	(A035)	(A036)	P353	(A016)	(A017)	(A018)	(A020)	(A021)	(A022)	(A023)	(A024)	
A002	P302	P305	P310	P314	P318	P322	P326	P330	P334	P338	P342	P346	P354	(A037)	(A038)	(A039)	(A040)	(A041)	(A042)	(A043)	(A044)	(A045)
	(A251)												(P398)	(A014)	(A065)	(A066)	(A069)	(A075)	(A080)	(A092)	(A094)	
A004	P017	P019	P035	P052	P060	P061	P062	P302	P305	P310	P314	P318	P322	P326	P330	P334	P338	P342	P346	P354	P398	
	(A014)	(A016)	(A017)	(A018)	(A020)	(A021)	(A022)	(A023)	(A024)	(A025)	(A026)	(A027)	(A028)	(A029)	(A030)	(A031)	(A032)	(A033)	(A034)	(A035)	(A036)	
A005	P017	P035	P060	P061	P062	P072	P396	(A015)	(A016)	(A017)	(A018)	(A020)	(A021)	(A022)	(A023)	(A024)	(A025)	(A026)	(A027)	(A030)	(A031)	
	(A032)	(A033)	(A034)	(A035)	(A036)	(A037)	(A040)	(A041)	(A042)	(A043)	(A044)	(A045)	(A046)	(A047)	(A050)	(A051)	(A056)	(A065)	(A066)	(A069)	(A075)	(A080)
A006	P017	P190	(A016)	(A017)	(A018)	B264	P398	(A022)	(A023)	(A032)	(A033)	(A042)	(A043)	(A052)								
A007	(A015)																					
A009	P190	P203	(A048)	(A052)	(A075)	(A092)	(A093)	(A177)														
(A015)	(A028)	(A038)																				
(A016)	(A057)																					
(A017)	(A057)																					
(A018)	(A057)																					
(A040)	(A052)	(G019)																				
(A041)	(A052)	(G019)																				
(A042)	(A052)	(G019)																				
(A043)	(G019)	(G005)																				
(A044)	(G018)	(G005)																				
(A045)	(G018)	(G005)																				
(A046)	(G018)	(G006)																				
(A047)	(G018)	(G006)																				
(A048)	(G020)																					
(A049)	(G020)																					
* A099	P217219V																					
A111	P200																					
A112	P200																					
A114	P239240																					
A121	P239240	P257259	P267269	P271273	P285287																	
A149	P262																					
A173	P204	P220																				
A201	P021	P035	P037	P047	P052	P304	P305	(A075)	(A090)	(A092)	(A094)	(A177)	(A178)	(A202)								
A203	P021																					
A207	(A090)	(A094)	(A178)	(A202)																		
A208	P005	P008	P021	P028	P066	P175	P176	(A075)														
A209	P005	P008	P028	P066	P175	P176																
A210	P021	P052	(A075)	(A092)	(A177)																	
A211	(A093)																					
A212	P054																					
A214	P037	P054																				
A220	(A090)	(A094)	(A178)	(A202)																		
A223	P022																					

* revised 22.1.86

43

24 JAN 1986

216

Gr. Code... used by these codes...

A225	P023																			
A229	P025																			
A231	P030	P050																		
A233	P031	P176	P385																	
A238	P016																			
A240	P030	P031	P175																	
A250	P002	P004	P028	P071	P075	P077	P078	P180	P182	P183	P184	P185	P186	P187						
(A251)	(A175)	(A176)	(A177)	(A178)	(B262)	(B264)														
A255	P012	P014	P071	P075	P077															
A257	P013																			
A259	P009																			
A273	P010																			
A275	P050	P169																		
A279	P053	P173																		
* A285	P144																			

4 PAFREG P217219C

4 TANUNIT P203 (A052)

* SERJANT P003 P007 P180
 * SERJANT P003 P007 P182
 * SERJANT P003 P007 P184
 * SERJANT P003 P007

29 JAN 1986

217

* revised 23/1/86
 * revised 24/1/86

I	Code	Is used by these codes																		
	8233	P573578																		
	8234	P54566																		
	8235	P57572																		
	8244	P375																		
	8245	P375																		
	8247	P375																		
	8254	P376																		
	8255	P375																		
	8259	P395																		
	8260	P369																		
	8263	P395																		
	8270	P375																		
	8271	P376																		
	8273	P376																		
	8274	P374																		
	8275	P376																		
	8276	P379																		
	8279	P376																		
	8279	P376																		
	8280	P376																		
	8303	P001																		
	8304	P001	P066	P078																
	8305	P003	P007	P065	P077															
	8306	P003	P007	P029	P063	P075														
	8309	P012	P014	P015																
	8310	P014	P015	P065	P077															
	8311	P014	P015	P029	P063	P075														
	8312	P007																		
	8316	P060																		
	8319	P003	P007	P071																
	8319	P014	P015	P071																
	8320	P316	P317	P319																
	8321	P117																		
	8322	P316	P317	P319																
	8325	P016																		
	8326	P021	P037	P047																
	8327	P316	P317	P319	P380	P399														
	8328	P037	P047																	
	8329	P006																		
	8330	P006	P007																	
	8333	P048																		
	8334	P125																		
	8336	P029																		
	8337	P031	P004																	
	8338	P031	P083	P061																
	8339	P031	P033	P061																

46

219
24 JAN 1955

J. Code...	Is used by these codes....																			
B340	P031	P034	P060	P061																
B341	P030	P031	P175																	
B346	P049																			
B347	P049	P067	P079																	
B348	P049																			
B349	P049																			
B352	P050																			
B360	P048																			
B361	P050	P179																		
B362	P022																			
B363	P023																			
B365	P025																			
B366	P030	P060																		
B367	P031	P176	P385																	
B368	P013																			
B369	P009																			
B371	P048																			
B373	P048																			
B374	P048																			
B376	P048	P067	P079																	
B378	P048	P067	P079																	
B381	P050																			
B382	P010																			
B383	P050	P169																		
B384	P048																			
B385	P050																			
B386	P029																			
B387	P067	P079																		
B388	P053	P173																		
B390	P067	P079																		
B392	P050	P179																		
B394	P031	P034	P060	P061																
B396	P050																			
B397	P126																			
B408	P048																			
B417	P031	P034	P061																	
B418	P031	P034	P061																	
B421	P031	P034	P061																	
B422	P003	P007																		
B424	P003	P007																		
B425	P003	P007																		
B426	P003	P007																		
427	P003	P007																		
428	P003	P007																		
B429	P003	P007																		

47

24 JAN 1986

120

Derived Codes used by Non-DE organizations (and not required on the DE database)

Ref.No.	Code	User
	A058	CSO
	A071	CSO
	A076	DES
	A077	DES
	A078	DES
	A079	DES
	A080	DES
	A081	DES
	A083	DES
	A084	DES
	A085	DES
	A087	DES
	A088	DES
	A287	OME
	A288	OME
	A248	IR

Derived Codes easily derived or otherwise not required on the database

Ref.No.	Code	User
	A100	DE
	A179	DE
	A190	DE
	A243	DE
	A054	DE/OPCS (not required because of adoption of PAF)
	A055	DE
	A097	DE
	A099	DE

12.12.85

DERIVED CODES

CODE NO.: A014

REF. NO.:

DE
1

ITEM DESCRIPTION: Wife of Head of Household

DERIVED FROM (LISTED CONSTITUENT CODES):

A002
A004

FORMULA (OR NARRATIVE SPECIFICATION):

IF (A002 EQ 1 AND A004 EQ 2) A014 = 1

FORMAT:

I1

VALIDATION:

Can only take values of 1 or missing

OTHER POINTS:

19 NOV 1985

DERIVED CODES

CODE NO.: A015

REF. NO.: ^{DE} 2

ITEM DESCRIPTION: Employment Position

DERIVED FROM (LISTED CONSTITUENT CODES):

P021	(P021 is in turn derived from	A201	- see Appendix B1)
A007		A210	
A005		A208	
<u>A004</u>		B326	
		A203)	

FORMULA (OR NARRATIVE SPECIFICATION):

EQ1 if P021 EQ1 (Working)

EQ2 if A004 EQ1 (Male) AND A005 GE 65 (65 or over) } Retired or Unoccupied
 or A004 EQ2 (female) AND A005 GE 60 (60 or over) } and of Minimum NI
 and P021 not coded (ie missing) } Pension Age

EQ3 if A007 GE 3 AND LE 11 (full time education) } Full Time Education
 and not coded 1 or 2 already at A015

EQ4 if not coded A015 already at A015 (Other)

FORMAT:

I1

VALIDATION:

Must take value of either 1, 2, 3, or 4 - no missings

RANGE:

1-4

CODES IN SAME "FAMILY"

OTHER POINTS:

Used to derive: A048 A075 A177
A052 A092

CODE LIST: See Appendix C Item 105

19 NOV 1985

DERIVED CODES

CODE NO.: A016

REF. NO.: DE
3

ITEM DESCRIPTION: Number of single males in household aged 16
but under 18

DERIVED FROM (LISTED CONSTITUENT CODES):

A004
A005
A006
PERSNO

FORMULA (OR NARRATIVE SPECIFICATION):

Count of persons within household with A004 EQ 1 (Male)
(PERSNO) and
A005 EQ 16 OR 17 (Age 16 but under 18)
and
A006 EQ 4 (Not married under 18)

FORMAT:

I1

VALIDATION:

OTHER POINTS:

Same family " A017
A018

Used to derive ~~A057~~
A062

DERIVED CODES

CODE NO.: A017

REF. NO.: DE
4

ITEM DESCRIPTION: Number of single females in household aged 16
but under 18

DERIVED FROM (LISTED CONSTITUENT CODES):

A004
A005
A006
PERSNO

FORMULA (OR NARRATIVE SPECIFICATION):

Count of persons within household with (PERSNO) A004 EQ 2 (Female)
and
A005 EQ 16 OR 17 (Age 16 but under 18)
and
A006 EQ 4 (Not married under 18)

FORMAT:

I1

VALIDATION:

OTHER POINTS:

Same "family": A016
A018

Used to derive ~~A057~~
A062

22.785

DERIVED CODES

CODE NO.: A021

REF. NO.: DE
7

ITEM DESCRIPTION: Number of male children in household aged 2 but under 5

DERIVED FROM (LISTED CONSTITUENT CODES):

A004
A005
PERSNO

FORMULA (OR NARRATIVE SPECIFICATION):

Count of persons in household with (PERSNO) A004 EQ 1 (Male)
and
A005 GE 2 AND LTS (Aged 2 but under 5)

FORMAT:

I1

VALIDATION:

OTHER POINTS:

Same family: A020 to A027 inclusive
A030 to A037 inclusive
A040 to A047 inclusive

DERIVED CODES

CODE NO.: A022

DE
REF. NO.: 8

ITEM DESCRIPTION: Number of male children in household aged 5 but under 18

DERIVED FROM (LISTED CONSTITUENT CODES):

A004
A005
PERSNO
A006

FORMULA (OR NARRATIVE SPECIFICATION):

Count of persons in household with (PERSNO) A004 EQ 1 (Male)
and
A005 GE 5 AND LT 18 (Aged 5 but under 18)
and
A006 EQ 4 (Not married under 18)

FORMAT:

I1

VALIDATION:

OTHER POINTS:

Same family: A020 to A027 inclusive
A030 to A037 inclusive
A040 to A047 inclusive

DERIVED CODES

CODE NO.: A023

DE
REF. NO.: 9

ITEM DESCRIPTION: Number of male adults in household aged under 45

DERIVED FROM (LISTED CONSTITUENT CODES):

A004

A005

PERSNO

A006

FORMULA (OR NARRATIVE SPECIFICATION):

Count of persons in household with (PERSNO) A004 EQ 1 (Male)
and
(A005 GE 18 AND LT 45 (Aged 18 to 45) but under 45)
and/or
((A005 EQ 16 OR 17 AND A006 EQ 1 OR 2))
(Married 16 and 17 yr old males)

FORMAT:

I1

VALIDATION:

OTHER POINTS:

Same 'family': A020 to A027 inclusive
A030 to A037 inclusive
A040 to A047 inclusive

DERIVED CODES

CODE NO.: A024

REF. NO.: DE
10

ITEM DESCRIPTION: Number of male adults in household aged 45 but under 60

DERIVED FROM (LISTED CONSTITUENT CODES):

A004

A005

PERSNO

FORMULA (OR NARRATIVE SPECIFICATION):

Count of persons in household with (PERSNO) A004 EQ 1 (Male)
and
A005 GE 45 AND LT 60 (Aged 45 but under 60)

FORMAT:

I1

VALIDATION:

OTHER POINTS:

"Same family" : A020 to A027 inclusive
A030 to A037 inclusive
A040 to A047 inclusive

DERIVED CODES

CODE NO.: A025

DE
REF. NO.: 11

ITEM DESCRIPTION: Number of male adults in household aged 60 but under 65

DERIVED FROM (LISTED CONSTITUENT CODES):

A004
A005
PERSNO

FORMULA (OR NARRATIVE SPECIFICATION):

Count of persons in household with A004 EQ 1 (Male)
(PERSNO) and A005 GE 60 AND LT 65 (Aged 60 but under 65)

FORMAT:

I1

VALIDATION:

OTHER POINTS:

Same "family" A020 to A027 inclusive
A030 to A037 inclusive
A040 to A047 inclusive

DERIVED CODES

CODE NO.: A026

DE
REF. NO.: 12

ITEM DESCRIPTION: Number of male adults in household aged 65 but under 70

DERIVED FROM (LISTED CONSTITUENT CODES):

A004
A005
PERSNO

FORMULA (OR NARRATIVE SPECIFICATION):

Count of persons in household with A004 EQ 1 (Male)
(PERSNO) ^{and} A005 GE 65 AND LT 70 (Aged 65 and under 70)

FORMAT:

I1

VALIDATION:

OTHER POINTS:

Same family: A020 to A027 inclusive
A030 to A037 inclusive
A040 to A047 inclusive

DERIVED CODES

CODE NO.: A027

DE
REF. NO.: 13

ITEM DESCRIPTION: Number of male adults in household aged 70 and over

DERIVED FROM (LISTED CONSTITUENT CODES):

A004

A005

PERSNO

FORMULA (OR NARRATIVE SPECIFICATION):

Count of persons in household with A004 EQ 1 (Male)
(PERSNO) ^{and} A005 GE 70 (aged 70 and over)

FORMAT:

I1

VALIDATION:

OTHER POINTS:

Same "family": A020 to A027 inclusive
A030 to A037 inclusive
A040 to A047 inclusive

DERIVED CODES

CODE NO.: A028

REF. NO.: 14 DE

ITEM DESCRIPTION: Number of males in household - working

DERIVED FROM (LISTED CONSTITUENT CODES):

A004
A015
PERSNO

FORMULA (OR NARRATIVE SPECIFICATION):

Count of persons in household with : A004 EQ 1 (male)
(PERSNO) and
A015 EQ 1 (Employment position -
working)

FORMAT:

I2

VALIDATION:

OTHER POINTS:

Same "family" : A038
A048

DERIVED CODES

CODE NO.: A029

DE
REF. NO.: 15

ITEM DESCRIPTION: Number of males in household - total

DERIVED FROM (LISTED CONSTITUENT CODES):

A004
PERSNO

FORMULA (OR NARRATIVE SPECIFICATION):

Count of persons in household with: A004, EQ 1 (male)
(PERSNO)

FORMAT:

I2

VALIDATION:

OTHER POINTS:

Same "family".

A039
A049

DERIVED CODES

CODE NO.: A030

DE
REF. NO.: 16

ITEM DESCRIPTION: Number of female children in household aged under 2

DERIVED FROM (LISTED CONSTITUENT CODES):

A004
A005
PERSNO

FORMULA (OR NARRATIVE SPECIFICATION):

Count of persons in household with (PERSNO) A004 EQ 2 (Female)
and
A005 LT 2 (aged under 2)

FORMAT:

I1

VALIDATION:

OTHER POINTS:

Same family: A021 to A027 inclusive
A030 to A037 inclusive
A040 to A047 inclusive

DERIVED CODES

CODE NO.: A031

REF. NO.: ^{DE}17

ITEM DESCRIPTION: Number of female children in household aged 2 but under 5

DERIVED FROM (LISTED CONSTITUENT CODES):

A004

A005

PERSNO

FORMULA (OR NARRATIVE SPECIFICATION):

Count of persons in household with (PERSNO) ^{and} A004 EQ 2 (Female) and A005 GE 2 AND LT 5 (Aged 2 but under 5)

FORMAT:

I1

VALIDATION:

OTHER POINTS:

Same family: A020 to A027 inclusive
A030 to A037 inclusive
A040 to A047 inclusive

DERIVED CODES

CODE NO.: A032

DE
REF. NO.: 18

ITEM DESCRIPTION: Number of female children in household aged 5 but under 18

DERIVED FROM (LISTED CONSTITUENT CODES):

A004

A005

PERSNO

A006

FORMULA (OR NARRATIVE SPECIFICATION):

Count of persons in household with (PERSNO) A004 EQ 2 (Female)
and
A005 GE 5 AND LT 18 (Aged 5 but under 18)
and
A006 EQ 4 (Not married under 18)

FORMAT:

I1

VALIDATION:

OTHER POINTS:

Same family: A020 to A027 inclusive
A030 to A037 inclusive
A040 to A047 inclusive

DERIVED CODES

CODE NO.: A033

DE
REF. NO.: 19

ITEM DESCRIPTION: Number of female adults in household aged under 45

DERIVED FROM (LISTED CONSTITUENT CODES):

A004
A005
PERSNO
A006

FORMULA (OR NARRATIVE SPECIFICATION):

Count of persons in household with (PERSNO) A004 EQ 2 (Female) and (A005 GE 18 AND LT 45 (Age 18 to 45) but under 45) and/or ((A005 EQ 16 OR 17 AND A006 EQ 1 OR 2)) (Married 16 and 17 yr old males)

FORMAT:

I1

VALIDATION:

OTHER POINTS:

Same 'family': A020 to A027 inclusive
A030 to A037 inclusive
A040 to A047 inclusive

DERIVED CODES

CODE NO.: A034

REF. NO.: DE
20

ITEM DESCRIPTION: Number of female adults in household aged 45 but under 60

DERIVED FROM (LISTED CONSTITUENT CODES):

A004
A005
PERSNO

FORMULA (OR NARRATIVE SPECIFICATION):

Count of persons in household with (PERSNO) A004 EQ 2 (Female)
and
A005 GE 45 AND LT 60 (Aged 45 but under 60)

FORMAT:

I1

VALIDATION:

OTHER POINTS:

"Same family" : A020 to A027 inclusive
A030 to A037 inclusive
A040 to A047 inclusive

DERIVED CODES

CODE NO.: A035

DE
REF. NO.: 21

ITEM DESCRIPTION: Number of female adults in household aged 60 but under 65

DERIVED FROM (LISTED CONSTITUENT CODES):

A004

A005

PERSNO

FORMULA (OR NARRATIVE SPECIFICATION):

Count of persons in household with (PERSNO) A004 EQ 2 (Female) and A005 GE 60 AND LT 65 (Aged 60 but under 65)

FORMAT:

I1

VALIDATION:

OTHER POINTS:

Same "family": A020 to A027 inclusive
A030 to A037 inclusive
A040 to A047 inclusive

DERIVED CODES

CODE NO.: A036

DE
REF. NO.: 22

ITEM DESCRIPTION: Number of female adults in household aged 65 but under 70

DERIVED FROM (LISTED CONSTITUENT CODES):

A004
A005
PERSNO

FORMULA (OR NARRATIVE SPECIFICATION):

Count of persons in household with (PERSNO) A004 EQ 2 (Female)
and.
A005 GE 65 AND LT 70 (Aged 65 and under 70)

FORMAT:

I1

VALIDATION:

OTHER POINTS:

Same family: A020 to A027 inclusive
A030 to A037 inclusive
A040 to A047 inclusive

DERIVED CODES

CODE NO.: A037

DE
REF. NO.: 23

ITEM DESCRIPTION: Number of female adults in household aged 70 and over

DERIVED FROM (LISTED CONSTITUENT CODES):

A004

A005

PERSNO

FORMULA (OR NARRATIVE SPECIFICATION):

Count of persons in household with A004 EQ 2 (Female)
(PERSNO) ^{and} A005 GE 70 (aged 70 and over)

FORMAT:

I1

VALIDATION:

OTHER POINTS:

Same "family": A020 to A027 inclusive
A030 to A037 inclusive
A040 to A047 inclusive

DERIVED CODES

CODE NO.: A038

REF. NO.: JE
24

ITEM DESCRIPTION: Number of females in household - working

DERIVED FROM (LISTED CONSTITUENT CODES):

A004
A015
PERSNO

FORMULA (OR NARRATIVE SPECIFICATION):

Count of persons in household with : A004 EQ 2 (female)
(PERSNO) and
A015 EQ 1 (Employment position -
working)

FORMAT:

I2

VALIDATION:

OTHER POINTS:

Same "family" : A028
A048

DERIVED CODES

CODE NO.: A039

REF. NO.: ^{DE} 25

ITEM DESCRIPTION: Number of females in household - total

DERIVED FROM (LISTED CONSTITUENT CODES):

A004
PERSNO

FORMULA (OR NARRATIVE SPECIFICATION):

Count of persons in household with: A004 EQ 2 (female)
(PERSNO)

FORMAT:

I2

VALIDATION:

OTHER POINTS:

Same "family": A029
A049

DERIVED CODES

CODE NO.: A040

REF. NO.: ^{DE} 26

ITEM DESCRIPTION: Number of children in household aged under 2

DERIVED FROM (LISTED CONSTITUENT CODES):

A005
PERSNO

FORMULA (OR NARRATIVE SPECIFICATION):

Count of persons in household with
(PERSNO)

A005 LT 2 (aged under 2)

FORMAT:

I1

VALIDATION:

A020 + A030

OTHER POINTS:

Same 'family': A021 to A027 inclusive
A030 to A037 inclusive
A040 to A047 inclusive

Used to derive A052, G019

DERIVED CODES

CODE NO.: A041

DE
REF. NO.: 27

ITEM DESCRIPTION: Number of children in household aged 2 but under 5

DERIVED FROM (LISTED CONSTITUENT CODES):

A005
PERSNO

FORMULA (OR NARRATIVE SPECIFICATION):

Count of persons in household with
(PERSNO)

A005 GE 2 AND LT 5 (Aged 2 but under 5)

FORMAT:

I1

VALIDATION:

A021+ A031

OTHER POINTS:

Same family: A020 to A027 inclusive
A030 to A037 inclusive
A040 to A047 inclusive

Used to derive A052, G-019

DERIVED CODES

CODE NO.: A042

DE
REF. NO.: 28

ITEM DESCRIPTION: Number of children in household aged 5 but under 18

DERIVED FROM (LISTED CONSTITUENT CODES):

A005
PERSNO
A006

FORMULA (OR NARRATIVE SPECIFICATION):

Count of persons in household with
(PERSNO)

A005 GE5 AND LT18 (Aged 5 but under 18,
and
A006 EQ4 (Not married under 18)

FORMAT:

I1

VALIDATION:

A022 + A032

OTHER POINTS:

Same family: A020 to A027 inclusive
A030 to A037 inclusive
A040 to A047 inclusive

Used to derive A052, G019

DERIVED CODES

CODE NO.: A043

REF. NO.: 29

ITEM DESCRIPTION: Number of adults in household aged under 45

DERIVED FROM (LISTED CONSTITUENT CODES):

A005
PERSNO
A006

FORMULA (OR NARRATIVE SPECIFICATION):

Count of persons in household with
(PERSNO)

(A005 GE 18 AND LT 45 (Aged ^{but under} 18 (45))
and/or
((A005 EQ 16 OR 17 AND A006 EQ 1 OR 2))
(Married 16 and 17 y. old males)

FORMAT:

I1

VALIDATION:

A023 + A033

OTHER POINTS:

Same 'family': A020 to A027 inclusive
A030 to A037 inclusive
A040 to A047 inclusive

Used to derive G018 and G005

DERIVED CODES

CODE NO.: A044

REF. NO.: DE
30

ITEM DESCRIPTION: Number of adults in household aged 45 but under 60

DERIVED FROM (LISTED CONSTITUENT CODES):

A005
PERSNO

FORMULA (OR NARRATIVE SPECIFICATION):

Count of persons in household with
(PERSNO)

A005 GE 45 AND LT 60 (Aged 45
but under 60)

FORMAT:

I1

VALIDATION:

A024 + A034

OTHER POINTS:

"Same family": A020 to A027 inclusive
A030 to A037 inclusive
A040 to A047 inclusive

Used to derive G018 and G005

DERIVED CODES

CODE NO.: A045

DE
REF. NO.: 31

ITEM DESCRIPTION: Number of adults in household aged 60 but under 65

DERIVED FROM (LISTED CONSTITUENT CODES):

A005
PERSNO

FORMULA (OR NARRATIVE SPECIFICATION):

Count of persons in household with
(PERSNO)

A005 GE 60 AND LT 65 (Aged 60 but
under 65)

FORMAT:

I1

VALIDATION:

A025 + A035

OTHER POINTS:

Same "family": A020 to A027 inclusive
A030 to A037 inclusive
A040 to A047 inclusive

Used to derive G018 and G005

DERIVED CODES

CODE NO.: A046

REF. NO.: DE
32

ITEM DESCRIPTION: Number of adults in household aged 65 but under 70

DERIVED FROM (LISTED CONSTITUENT CODES):

A005
PERSNO

FORMULA (OR NARRATIVE SPECIFICATION):

Count of persons in household with
(PERSNO)

A005 GE 65 AND LT 70 (Aged 65 and
under 70)

FORMAT:

I1

VALIDATION:

A026 + A036

OTHER POINTS:

Same family: A020 to A027 inclusive
A030 to A037 inclusive
A040 to A047 inclusive

Used to derive G018 and G006

DERIVED CODES

CODE NO.: A047

DE
REF. NO.: 33

ITEM DESCRIPTION: Number of adults in household aged 70 and over

DERIVED FROM (LISTED CONSTITUENT CODES):

A005
PERSNO

FORMULA (OR NARRATIVE SPECIFICATION):

Count of persons in household with
(PERSNO)

A005 GE 70 (aged 70 and over)

FORMAT:

I1

VALIDATION:

A027 + A037

OTHER POINTS:

Same "family": A020 to A027 inclusive
A030 to A037 inclusive
A040 to A047 inclusive

Used to derive G018 and G006

DERIVED CODES

CODE NO.: A048

REF. NO.: DE
34

ITEM DESCRIPTION: Number of persons in household - working

DERIVED FROM (LISTED CONSTITUENT CODES):

A015
PERSNO

FORMULA (OR NARRATIVE SPECIFICATION):

Count of persons in household using PERSNO
and
A015 EQ1 (Employment position -
working)

FORMAT:

I2

VALIDATION:

A028 + A038

OTHER POINTS:

Same "family": A028
A038

Used to derive G020

DERIVED CODES

CODE NO.: A049

DE
REF. NO.: 35

ITEM DESCRIPTION: Number of persons in household - total

DERIVED FROM (LISTED CONSTITUENT CODES):

PERSNO

FORMULA (OR NARRATIVE SPECIFICATION):

Count of persons in household using PERSNO

FORMAT:

I2

VALIDATION:

A029 + A039

OTHER POINTS:

Same "family": A029
A039

Used to derive G020

DERIVED CODES

CODE NO.: A050

DE
REF. NO.: 36

ITEM DESCRIPTION: Number of persons in household - retired or unoccupied and of minimum NI pension age.

DERIVED FROM (LISTED CONSTITUENT CODES):

PERSNO (PO21 is in turn derived from A201 - see Appendix B1)
A004 A210
A005 A208
PO21 B326
A203)

FORMULA (OR NARRATIVE SPECIFICATION):

Count of persons in household with:
(PERSNO) (A004 EQ 1 (Male) and A005 GE 65 (65 or over)
or
A004 EQ 2 (Female) and A005 GE 60 (60 or over))
and
PO21 not coded (ie missing) (Not Working)

FORMAT:

I2

VALIDATION:

Equals No of persons in household with A015 EQ 2

OTHER POINTS:

Same family: A051

(see A015 - Ref No 2)

DERIVED CODES

CODE NO.: A051

REF. NO.: DE 37

ITEM DESCRIPTION: Number of persons in household - retired or unoccupied and under minimum NI pension age

DERIVED FROM (LISTED CONSTITUENT CODES):

PERSNO
A004
A005
P021

(P021 is in turn derived from A201 - see Appendix B1)
A210
A208
B326
A203)

FORMULA (OR NARRATIVE SPECIFICATION):

Count of persons in household with:
(PERSNO) (A004 EQ1 (Male) and A005 LT 65 (under 65)
or
A004 EQ2 (Female) and A005 LT 60 (under 60))
and
P021 not coded (ie missing) (Not Working)

FORMAT:

I2

VALIDATION:

Equals No of persons in household with A015 EQ 3 or 4

OTHER POINTS:

Same "family" . A050
(see also A015 - Ref No 2)

DERIVED CODES

CODE NO.: A052

REF. NO.: DE 38

ITEM DESCRIPTION: Code for Households with married women

DERIVED FROM (LISTED CONSTITUENT CODES):

A004 A040 } refs. DE 26; DE 27; DE 28
A006 A041 }
A008 A042 }
A015

FORMULA (OR NARRATIVE SPECIFICATION):

(see coding frame 12, Appendix B, Annex 1
and Appendix C, Item 106)

FORMAT:

I2

VALIDATION:

Within range 1 to 14

OTHER POINTS:

19 NOV 1985

DERIVED CODES

CODE NO.: A054

REF. NO.: DE
39

ITEM DESCRIPTION: No. of times primary sampling unit used.

DERIVED FROM (LISTED CONSTITUENT CODES):

FORMULA (OR NARRATIVE SPECIFICATION):

Not required
in 1986

FORMAT:

VALIDATION:

RANGE:

CODES IN SAME "FAMILY"

OTHER POINTS:

22/7/85 260

DERIVED CODES

CODE NO.: A055

REF. NO.: DE
40

ITEM DESCRIPTION: Month of sampling

DERIVED FROM (LISTED CONSTITUENT CODES):

FORMULA (OR NARRATIVE SPECIFICATION):

This code is not required.
A055 now appears in
Appendix B4 as a transfer
from the raw database

FORMAT:

VALIDATION:

RANGE:

CODES IN SAME "FAMILY"

OTHER POINTS:

DERIVED CODES

CODE NO.:

A059

REF. NO.:

DE
41 *

ITEM DESCRIPTION: Ranges of Gross Household Income

DERIVED FROM (LISTED CONSTITUENT CODES):

P344 (Inturn derived from - see Appendix B Annex 2)
and Appendix B1

FORMULA (OR NARRATIVE SPECIFICATION):

Convert to ranges according to Frame 6/7
(see Appendix B Annex 1
and Appendix C, Item 109).
See Product Code list

FORMAT:

I2

VALIDATION:

Within range 1 to 30

OTHER POINTS:

Same "family": A060
A067
A107
A175

* Ranges will change from ^{probably} survey year to survey year, but will keep to 30 values.

* Renumbered from DE43 on 23/7/85

262

DERIVED CODES

CODE NO.: A060

REF. NO.: DE 42 *

ITEM DESCRIPTION: Ranges of Gross Head of Household Income

DERIVED FROM (LISTED CONSTITUENT CODES):

P345 (in turn derived from - see Appendix B2 Annex 2)
and Appendix B1

FORMULA (OR NARRATIVE SPECIFICATION):

See Product Code list

Convert to ranges according to Frame 6/7
(see Appendix B2 Annex 1
and Appendix C, Item 110).

FORMAT:

I2

VALIDATION:

Within range 1 - 30

OTHER POINTS:

Same "family" A059
A067
A107
A175

Ranges will change from survey year to survey year but will probably keep to 30 values.

* remembered from DE 44 on 23/7/85

DERIVED CODES

CODE NO.: A061 (formerly A056)

REF. NO.: DE
43

ITEM DESCRIPTION: Household Composition - 16yr old adult basis

DERIVED FROM (LISTED CONSTITUENT CODES):

PERSNO
A004
A005

FORMULA (OR NARRATIVE SPECIFICATION):

Count of persons in household using PERSNO
to determine: No of Male Adults (A004 EQ1 & A005 GE16)
No of Female Adults (A004 EQ2 & A005 GE16)
No of children (A005 LT16)

Code according to 1986 revision of coding frame 2 (see Appendix B2, Annex 1
and Appendix C, Item 107)

FORMAT:

I2

VALIDATION:

RANGE:

1 to 30

CODES IN SAME "FAMILY"

A062

OTHER POINTS:

Code A056 of the 'old' system has been amended to include a code for households consisting of children only.

DERIVED CODES

CODE NO.: A062 (formerly A057) REF. NO.: DE 44

ITEM DESCRIPTION: Household Composition - DE basis

DERIVED FROM (LISTED CONSTITUENT CODES):

PERSNO	A016
A004	A017
A005	A018

FORMULA (OR NARRATIVE SPECIFICATION):

Count of persons in household using PERSNO to determine

No. of Male Adults ((A004 EQ 1 and A005 GE 16) minus (A004 EQ 1 and A016 EQ 1))

No. of Female Adults ((A004 EQ 2 and A005 GE 16) minus (A004 EQ 2 and A017 EQ 1))

No. of Children (A005 LT 16) or (A018 EQ 1)

Code according to 1986 revision of coding frame 2 (see Appendix B2, Annex 1 and Appendix C, Item 108)

FORMAT:

I2

VALIDATION:

RANGE:

1 - 30

CODES IN SAME "FAMILY"

A061

OTHER POINTS:

Code A057 of the 'old' system has been amended to include a code for households consisting of children only. This has enabled code PS12 to be dropped.

DERIVED CODES

CODE NO.: A065

REF. NO.: DE
45

ITEM DESCRIPTION: Age of head of household by ranges

DERIVED FROM (LISTED CONSTITUENT CODES):

A002

A005

FORMULA (OR NARRATIVE SPECIFICATION):

Code HOH according to frame 19 (see Appendix B2 Annex 1
and Appendix C, Item 111)
For HOH A002 = 0

FORMAT:

I2

VALIDATION:

Divide A005 by 5 and ignore any fraction remaining

RANGE:

3 - 19

CODES IN SAME "FAMILY"

A066

A176

OTHER POINTS:

DERIVED CODES

CODE NO.: A066

REF. NO.: ^{DE} 46

ITEM DESCRIPTION: Age of wife of head by ranges

DERIVED FROM (LISTED CONSTITUENT CODES):

A002
A005

FORMULA (OR NARRATIVE SPECIFICATION):

Code according to frame 19 (see Appendix B, Annex 1
For wife of HOH, $A002 = 1$ and Appendix C, Item 112).

FORMAT:

I2

VALIDATION:

Divide A005 by 5 and ignore any fraction remaining

RANGE:

3-19

CODES IN SAME "FAMILY"

A065
A176

OTHER POINTS:

28/1/85

DERIVED CODES

CODE NO.: A067

REF. NO.: 47^{DE}

ITEM DESCRIPTION: Range of Total Expenditure (DE)

DERIVED FROM (LISTED CONSTITUENT CODES):

P378 (for the derivation of this code see Appendix B1)

FORMULA (OR NARRATIVE SPECIFICATION):

Code according to frame 6/7 (see Appendix B2 Annex 1)

FORMAT:

I2

VALIDATION:

RANGE:

1-30

CODES IN SAME "FAMILY"

A059 A107

A060 A175

A067

OTHER POINTS:

19/12/84 268

DERIVED CODES

CODE NO.: A069

REF. NO.: DE
48

ITEM DESCRIPTION: Type of Household ("Pensioner"; "Index"; "Wealthy")

DERIVED FROM (LISTED CONSTITUENT CODES):

P344 (total HH income) (see Appendix B2 Annex 2)

A002 (HOH)

P492; P493

P365 (in turn derived from P364 and P344 - see Appendix B2 Annex 2
and Appendix B1)

FORMULA (OR NARRATIVE SPECIFICATION):

See coding frame 5 (Appendix B, Annex 1
and Appendix C, Item 113).

FORMAT:

I1

VALIDATION:

RANGE:

1-3

CODES IN SAME "FAMILY"

OTHER POINTS:

23/7/85 269

DERIVED CODES

CODE NO.: A075

REF. NO.: DE
49

ITEM DESCRIPTION: Head of Household out of jobs

DERIVED FROM (LISTED CONSTITUENT CODES):

A002 (HOM) A210 - see ref DE 102

A201

A015 (see sheet 2)

A208

FORMULA (OR NARRATIVE SPECIFICATION):

See Coding Frame 27 (Appendix B Annex 1
and Appendix C, Item 114).

FORMAT:

I 1

VALIDATION:

RANGL:

1-6

CODES IN SAME "FAMILY"

-

OTHER POINTS:

270

21 NOV 1985

DERIVED CODES

CODE NO.: A090

REF. NO.: DE
50

ITEM DESCRIPTION: Economic Position of wife of head of household

DERIVED FROM (LISTED CONSTITUENT CODES):

A002 (Wife) A220
A005 P021 (in turn derived from A201 - see Appendix B1)
A201 A210
A207 A208
 B326
 A203)

FORMULA (OR NARRATIVE SPECIFICATION):

See Frame 23 (Appendix B, Annex 1
and Appendix C, Item 115)

FORMAT:

I2

VALIDATION:

RANGE:

1-11

CODES IN SAME "FAMILY"

A094 A202
A178

OTHER POINTS:

28/1/85

271

DERIVED CODES

CODE NO.: A092

DE
REF. NO.: 51

ITEM DESCRIPTION: Occupation of head of household

DERIVED FROM (LISTED CONSTITUENT CODES):

A201

|| ~~A210~~ OCCUP

A015 (see sheet 2)

A002

FORMULA (OR NARRATIVE SPECIFICATION):

see Coding Frame 3 (Appendix B2 Annex 1 and Appendix C, Item 116).

ensure A002 = 0 (for HOH)

FORMAT:

I2

VALIDATION:

RANGE:

1-11

CODES IN SAME "FAMILY"

A177

|| A210

OTHER POINTS:

21 NOV 1985

272

DERIVED CODES

CODE NO.:

A093

REF. NO.:

DE

52

ITEM DESCRIPTION: Industry of Head of Household.

DERIVED FROM (LISTED CONSTITUENT CODES):

A211

A015

FORMULA (OR NARRATIVE SPECIFICATION):

see Coding Frame 4 (Appendix B, Annex 1
and Appendix C, Item 117).

FORMAT:

I2

VALIDATION:

RANGE:

1-33

CODES IN SAME "FAMILY"

OTHER POINTS:

26/1/85

SA

v2 273

DERIVED CODES

CODE NO.: A094

REF. NO.: DE
53

ITEM DESCRIPTION: Economic Position of head of household

DERIVED FROM (LISTED CONSTITUENT CODES):

A002 (head) A220
A005 P021 (in turn derived from A201 - see Appendix B1)
A201 A210
A207 A208
 B326
 A203)

FORMULA (OR NARRATIVE SPECIFICATION):

See Frame 23 (Appendix B2 Annex 1, and Appendix C, Item 118).

FORMAT:

I2

VALIDATION:

RANGE:

1 - 11

CODES IN SAME "FAMILY"

A178 A202
 A000

OTHER POINTS:

28/1/85

DERIVED CODES

CODE NO.: A097

REF. NO.: DE
54

ITEM DESCRIPTION: Type of Administrative Area

DERIVED FROM (LISTED CONSTITUENT CODES):

FORMULA (OR NARRATIVE SPECIFICATION):

This code is not required.
A097 now appears in
Appendix B4 as a
transfer from the raw
database

FORMAT:

VALIDATION:

RANGE:

CODES IN SAME "FAMILY"

OTHER POINTS:

12 DEC 1985

DERIVED CODES

CODE NO.: A098

REF. NO.:

DE
55

ITEM DESCRIPTION: Standard Region

DERIVED FROM (LISTED CONSTITUENT CODES):

PAFREG (P.A.F. Region)

FORMULA (OR NARRATIVE SPECIFICATION):

See Coding Frame 18 (Appendix B2, Annex 1
and Appendix C, Item 120).

FORMAT:

I2

VALIDATION:

RANGE:

01 - 12

CODES IN SAME "FAMILY"

OTHER POINTS:

DERIVED CODES

CODE NO.: **A099**

REF. NO.:

**DE
56**

ITEM DESCRIPTION: **Quarter Number**

DERIVED FROM (LISTED CONSTITUENT CODES):

FORMULA (OR NARRATIVE SPECIFICATION):

This code is not required
A099 now appears in
Appendix B4 as a transfer
from the raw database

FORMAT:

VALIDATION:

RANGE:

CODES IN SAME "FAMILY"

OTHER POINTS:

DERIVED CODES

CODE NO.: A100

REF. NO.: DE 57

ITEM DESCRIPTION: HP Transaction Type

DERIVED FROM (LISTED CONSTITUENT CODES):

~~Input will credit record details - This code is not required because of the way HP Transactions will be handled by the new input system.~~

FORMULA (OR NARRATIVE SPECIFICATION):

FORMAT:

This code is not required.
A100 Now appears in Appendix
C4 as a transfer from the raw
database

VALIDATION:

RANGE:

CODES IN SAME "FAMILY"

OTHER POINTS:

18 NOV 1985

278

DERIVED CODES

CODE NO.: A107

DE
REF. NO.: 58

ITEM DESCRIPTION: Ranges of Disposable Household Income

DERIVED FROM (LISTED CONSTITUENT CODES):

P389 (in turn derived from — see Appendix B2 Annex 2)
and Appendix B1

FORMULA (OR NARRATIVE SPECIFICATION):

See Product Code List
Convert to ranges according to Frame 6/7
(see Appendix B2 Annex 1
and Appendix C, Item 121).

FORMAT:

I 2

VALIDATION:

RANGE:

1-30

CODES IN SAME "FAMILY"

A059 A060
A067 A175

OTHER POINTS:

28/1/85

DERIVED CODES

DE

CODE NO.: A175

REF. NO.: 59

ITEM DESCRIPTION: Range of Chief Economic Supporter's Normal Gross Income

DERIVED FROM (LISTED CONSTITUENT CODES):

A251

POS1 (for constituent codes see sheet for P344 -
in Appendix B, Annex 2)
and Appendix B1

FORMULA (OR NARRATIVE SPECIFICATION):

IF(A251 EQ 1 OR 2) range POS1 according to Coding Frame 6/7
(see Appendix B Annex 1
and Appendix C
Item 122)
(ie B262 ranged according to coding frame 6/7)

FORMAT:

I2

VALIDATION:

RANGE:

1-30

CODES IN SAME "FAMILY"

A176 A179
A177 B262
A178 B264
A251

On ES codes

A059
A060
A067
A107

OTHER POINTS:

29/1/85

DERIVED CODES

CODE NO.: A176

REF. NO.: DE
60

ITEM DESCRIPTION: Age of chief economic supporter by ranges

DERIVED FROM (LISTED CONSTITUENT CODES):

A251 (seesheet ref no. 68)

A005 (age)

FORMULA (OR NARRATIVE SPECIFICATION):

Code Ch.E.S according to frame 19 (see Appendix B2 Annex 1 and Appendix C Item 12?).
Ch. Econ. Supporter is where A251 EQ 1 or 2
(ie B264 ranged according to coding frame 19)

FORMAT:

I2

VALIDATION:

Divide A005 by 5 and ignore any fraction remaining

RANGE:

3 - 19

CODES IN SAME "FAMILY"

A066

A065

OTHER POINTS:

A175 }
A177 } Ch.E.S codes.
A178 }
A179 }
B262
B264
A251

29/1/85

DERIVED CODES

CODE NO.: A177

DE
REF. NO.: 61

ITEM DESCRIPTION: Occupation of chief economic supporter

DERIVED FROM (LISTED CONSTITUENT CODES):

A201

~~A210~~ OCCUP.

A015 (see sheet 2)

A251 (see sheet 68)

FORMULA (OR NARRATIVE SPECIFICATION):

see Coding Frame 3 (Appendix B2 Annex 1, and Appendix C, Item 124)

Exclude A251 EQ 1 or 2

FORMAT:

I2

VALIDATION:

RANGE:

1-11

CODES IN SAME "FAMILY"

A092

A210

OTHER POINTS:

A175 }
A176 } Ch E.S codes
A178 }
A179 }
B262 }
B264 }
A251 }

21 NOV 1985

DERIVED CODES

CODE NO.: A178

REF. NO.: DE
62

ITEM DESCRIPTION: Economic Position of chief economic supporter

DERIVED FROM (LISTED CONSTITUENT CODES):

A251	A220	
A005	P021 (in turn derived from	A201 - see Appendix B1)
A201		A210
A207		A208
		B326
		A203)

FORMULA (OR NARRATIVE SPECIFICATION):

See Frame 23 (Appendix B, Annex 1 and Appendix C, Item 125)

FORMAT:

I2

VALIDATION:

RANGE:

1 - 11

CODES IN SAME "FAMILY"

A094 A202
A090

A175	} Ch. E. S codes
A176	
A177	
A179	
B262	
B264	
A251	

OTHER POINTS:

29/1/85

DERIVED CODES

CODE NO.: A179

DE
REF. NO.: 63

ITEM DESCRIPTION: Chief Economic Supporter & Head of Household

DERIVED FROM (LISTED CONSTITUENT CODES):

[This code is not required on the DE derived database or it is easily formed within the database as shown below]

FORMULA (OR NARRATIVE SPECIFICATION):

FORMAT:

VALIDATION:

RANGE:

CODES IN SAME "FAMILY"

A175	A178	} Ch. E. S codes
A176	B262	
A177	B264	
	A251	

OTHER POINTS:

-
- A 179
- 1 Chief Economic Supporter is male and head of household (A 251 coded 1, A 001 coded 1)
 - 2 Chief Economic Supporter is male and not head of household (A 251 coded 1 or 2, A 004 coded 1, A 002 coded 2 to 8)
 - 3 Chief Economic Supporter is female and head of household (A 251 coded 2, A 001 coded 1)
 - 4 Chief Economic Supporter is female and not head of household (A 251 coded 1 or 2, A 004 coded 2, A 002 coded 1 to 8)

DERIVED CODES

CODE NO.: A190

REF. NO.: DE
64

ITEM DESCRIPTION: *Combination of disabilities owned.*

DERIVED FROM (LISTED CONSTITUENT CODES):

*[This code is not required on the DE-derived database.
It can be formed without undue difficulty when required.]*

FORMULA (OR NARRATIVE SPECIFICATION):

FORMAT:

VALIDATION:

RANGE:

CODES IN SAME "FAMILY"

OTHER POINTS:

19/12/84

DERIVED CODES

CODE NO.: A202

DE
REF. NO.: 65

ITEM DESCRIPTION: Derived Employment Status

DERIVED FROM (LISTED CONSTITUENT CODES):

A201	P021 (which is in turn derived from	A201 - see Appendix B1
A207		A210 and A015 on
A220		sheet ref no 2)
A004		A208
A005		B326
		A203

FORMULA (OR NARRATIVE SPECIFICATION):

- A 202* 1 Self-employed or employer (persons coded 2 at code A 201 and coded 1 at code 021P)
- 2 At present working as full-time employee (persons coded 1 at code A 201, coded 2 or not coded at code A 207 and coded 31 or more at code A 220)
- 3 At present working as part-time employee (persons coded 1 at code A 201, coded 2 or not coded at code A 207 and coded less than 31 at code A 220)
- 4 Full-time employee temporarily away from work (persons coded 1 at code A 201, coded 1, 3 or 4 at code A 207 and coded 31 or more at code A 220)
- 5 Part-time employee temporarily away from work (persons coded 1 at code A 201, coded 1, 3 or 4 at code A 207 and coded less than 31 at code A 220)
- 6 Retired and of minimum NI pension age (males aged 65 and over, females aged 60 and over, coded 6 at code A 201)
- 7 Retired but under minimum NI pension age (males aged less than 65, females aged less than 60, coded 6 at code A 201)
- 8 Unoccupied and of minimum pension age (males aged 65 and over, females aged 60 and over, coded 5 or 7 at code A 201 or coded 1 to 4 at code A 201 and not coded at 021P)
- 9 Unoccupied but under minimum NI pension age (males aged less than 65, females aged less than 60, coded 5 or 7 at code A 201 or coded 1 or 2 at code A 201 and not coded at 021P)
- 10 Employee out of a job - worker (persons coded 3 or 4 at code A201 and coded at code 021P)
- 11 Employee out of a job - non worker (persons coded 3 or 4 at code A201 and not coded at code 021P)

FORMAT:

I2

VALIDATION:

RANGE:

1-11

CODES IN SAME "FAMILY"

OTHER POINTS:

(see also Appendix C, Item 126)

DERIVED CODES

CODE NO.: A243

DE
REF. NO.: 66

ITEM DESCRIPTION: Industry

DERIVED FROM (LISTED CONSTITUENT CODES):

[This code is not required on the DE derived database. It should have been deleted in 1984 and will be deleted in 1985.]

FORMULA (OR NARRATIVE SPECIFICATION):

FORMAT:

VALIDATION:

RANGE:

CODES IN SAME "FAMILY"

OTHER POINTS:

18/12/84

DERIVED CODES

CODE NO.: A248

REF. NO.: DE
67

ITEM DESCRIPTION: Range of personal gross employee earnings

DERIVED FROM (LISTED CONSTITUENT CODES):

This is an Inland Revenue code and is not required on the DE Derived database

FORMULA (OR NARRATIVE SPECIFICATION):

FORMAT:

VALIDATION.

RANGE:

CODES IN SAME "FAMILY"

OTHER POINTS:

DERIVED CODES

CODE NO.: A251

REF. NO.: DE
68

ITEM DESCRIPTION: Chief Economic Supporter

DERIVED FROM (LISTED CONSTITUENT CODES):

POS1 (for constituent codes see sheet for P344 - in Appendix B² Annex 2)
A005 and Appendix B1
A004
A002

FORMULA (OR NARRATIVE SPECIFICATION):

Person aged 16 or over (A005 GE 16), related to HOH (A002 ^{NE 9})
or HOH, for whom POS1 is greater than any other - POS1 for candidates in the
household. (Income associated with Housing Benefit is excluded).

Code is 1 if HOH is male (A004=1)

Code is 2 if HOH is female (A004=2)

(See also Appendix C, Item 128).

FORMAT:

I1

VALIDATION:

RANGE:

1-2

CODES IN SAME "FAMILY"

Ch. E-S codes are A175; A176; A177; A178; A179; B262
B2A

OTHER POINTS:

29/1/85

DERIVED CODES

CODE NO.: B262

DE
REF. NO.: 69

ITEM DESCRIPTION: Income of Chief Economic Supporter

DERIVED FROM (LISTED CONSTITUENT CODES):

A251
POS1 (for constituent codes see sheet for P344 -
in Appendix B2 Annex 2)
and Appendix B1

FORMULA (OR NARRATIVE SPECIFICATION).

IF(A251 EQ 1 OR 2) , POS 1

FORMAT.

As for POS1

VALIDATION.

RANGE:

As for POS1

CODES IN SAME "FAMILY"

A176 A179
A177 A251
A178 B264 } Ch E S codes

OTHER POINTS:

12/94

290

DERIVED CODES

CODE NO.: B264

DE
REF. NO.: 70

ITEM DESCRIPTION: Age of Chief Economic Supporter

DERIVED FROM (LISTED CONSTITUENT CODES):

A251
A005 (age)

FORMULA (OR NARRATIVE SPECIFICATION):

If (A251 EQ 1 OR 2) A005

FORMAT:

I2

VALIDATION:

RANGE:

0-99

CODES IN SAME "FAMILY"

A176 A179 B262 } all. Ch. E.S. codes
A177 A251
A178

OTHER POINTS:

18/12/84

291

NEW DERIVED CODES

CODE NO.: G018

REF. NO.:

DE
71

ITEM DESCRIPTION: Number of Adults

DERIVED FROM (LISTED CONSTITUENT CODES):

A043 (A005, A006, PERSNO)

A044 (A005, PERSNO)

A045 (" , ")

A046 (" , ")

A047 (" , ")

FORMULA (OR NARRATIVE SPECIFICATION):

A043 + A044 + A045 + A046 + A047

FORMAT:

I2

VALIDATION.

RANGE:

CODES IN SAME "FAMILY"

G019

G020

OTHER POINTS:

Ex Alpha Group Code Line 18 1984

NEW DERIVED CODES

CODE NO.: G019

REF. NO.: DE
72

ITEM DESCRIPTION: Number of Children

DERIVED FROM (LISTED CONSTITUENT CODES):

A040 (A005, PERSNO)
A041 (" ")
A042 (A005, A006, PERSNO)

FORMULA (OR NARRATIVE SPECIFICATION):

A040 + A041 + A042

FORMAT:

I2

VALIDATION:

RANGE:

CODES IN SAME "FAMILY"

G018
G020

OTHER POINTS:

Ex Alpha Group Code Line 19 1984

NEW DERIVED CODES

CODE NO.: G020

REF. NO.: DE
73

ITEM DESCRIPTION: Number of Persons Not Working

DERIVED FROM (LISTED CONSTITUENT CODES):

A048 (A015, PERSNO)

A049 (PERSNO)

FORMULA (OR NARRATIVE SPECIFICATION).

A049 minus A048

FORMAT:

I2

VALIDATION:

RANGE:

CODES IN SAME "FAMILY"

G018

G019

OTHER POINTS.

Ex Alpha Group Code Line 20 1984

NEW DERIVED CODES

CODE NO.: G005

REF. NO.: DE 74

ITEM DESCRIPTION: Number of adults in household aged under 65

DERIVED FROM (LISTED CONSTITUENT CODES):

A005 *
PERSNO
A006

FORMULA (OR NARRATIVE SPECIFICATION):

Count of persons in household with
(PERSNO) (A005 GE 18 AND LT 65 (Aged 18 but under 65))
or
(A005 EQ 16 OR 17 AND A006 EQ 1 OR 2)
(Married 16 or 17 years)

FORMAT:

I2

VALIDATION:

A043 + A044 + A045 *

RANGE:

CODES IN SAME "FAMILY"

G006 A043
 A044
 A045

OTHER POINTS:

* It will probably be simpler to derive the code from A043, A044, and A045 than from A005, A006, and PERSNO

Ex Alpha Groups Code Line 005 in 1984

NEW DERIVED CODES

CODE NO.: G006

REF. NO.: DE 75

ITEM DESCRIPTION: Number of adults in household aged 65 and over

DERIVED FROM (LISTED CONSTITUENT CODES):

A005 *

PERSNO

FORMULA (OR NARRATIVE SPECIFICATION):

Count of persons in household with
(PERSNO)

A005 GE 65 (Aged 65 and
over)

FORMAT:

I2

VALIDATION:

A046 + A047 *

RANGE:

CODES IN SAME "FAMILY"

G006

A046

A047

OTHER POINTS:

* It will probably be simpler to derive the code from A046 and A047 than from A005 and PERSNO

Ex Alpha Group Code Line 006 in 1984

DERIVED CODES

CODE NO.: HHNO

REF. NO.: DE 82

ITEM DESCRIPTION: Household Reference Number

DERIVED FROM (LISTED CONSTITUENT CODES):

AREA + SERIAL NUMBER + HOUSEHOLD NUMBER

Appendix A Refs:

(382)

(383)

(384)

FORMULA (OR NARRATIVE SPECIFICATION):

$(AREANUM \times 100) + (SERNUM \times 10) + (HHNUM)$

FORMAT: I6

VALIDATION:

RANGE:

CODES IN SAME "FAMILY"

OTHER POINTS:

To be security protected.

78 (78A and 78B
blank)

12 DEC 1985
~~new: 8/11/85~~

v2

297

DERIVED CODES

CODE NO.: DHOUSING

REF. NO.: DE 88

ITEM DESCRIPTION: Weekly Spender's Expenditure on Housing

DERIVED FROM (LISTED CONSTITUENT CODES):

D224 D239 D907
D235 D785 D910
D236 D901 D920
D237 D903
D238 D904

FORMULA (OR NARRATIVE SPECIFICATION):

Sum of the codes given above including any with qualifier values 1, 2, 3, 5, 6, and (if any) 9 - see Appendix B3.

FORMAT:

3 dps

VALIDATION:

RANGE:

Positive Values

CODES IN SAME "FAMILY" :

DFUEL
DFOOD
DALDRINK
DTOBACCO
DCLOTH
DDURABLE
DOGOODS
DVEHICLE
DMISC
DSERVICE
DTOTEXP
DORECPAY
DINSCRED

OTHER POINTS:

Used by Output Block QA

DERIVED CODES

CODE NO.: DFUEL

REF. NO.: DE 89

ITEM DESCRIPTION: Weekly Spender's Expenditure on
Fuel, Light, and Power

DERIVED FROM (LISTED CONSTITUENT CODES):

D225 D254 D915
D226 D255 D917
D240 D259 D918
D242 D913 D995
D252 D914

FORMULA (OR NARRATIVE SPECIFICATION):

Sum of codes given above including any with qualifier
values 1, 2, 3, 5, 6, and (if any) 9 - See Appendix B3.

FORMAT:

3 dps

VALIDATION:

RANGE:

Positive Values

CODES IN SAME "FAMILY" : DHOUSING

OTHER POINTS:

Used by Output Block QA

DFOOD
DALDRINK
DTOBACCO
DCLOTH
DDURABLE
DOGOODS
DVEHICLE
DMISC
DSERVICE
DTOTEXP
DORECPAY
DINSCRED

DERIVED CODES

CODE NO.: DFOOD

REF. NO.: DE 90

ITEM DESCRIPTION: Weekly Spender's Expenditure on Food

DERIVED FROM (LISTED CONSTITUENT CODES):

D101 to D105 D108 D111 to D115 D121 D122 D123 D127 D129 to D133
D138 D140 to D144 D146 D149 D150 D151 D154 D155 D156
D158 D160 D163 D165 D171 D172 D173 D181 to D185 D191
D192 D195 D196 D197 D199 D840 to D857 D975

FORMULA (OR NARRATIVE SPECIFICATION):

Sum of codes given above, including any with qualifier values 1, 2, 3, 5, 6, and (if any) 9 - See Appendix B3.

FORMAT.

3 dps

VALIDATION.

RANGE:

Positive Values

CODES IN SAME "FAMILY"

DHOUSING
DFUEL

OTHER POINTS:

Used by Output Block QA

DALDRINK
DTOBACCO
DCLOTH
DJURABLE
DOGOODS
DVEHICLE
DMISC
DSERVICE
DTOTEXP
DORECPAY
DINSCRED

DERIVED CODES

CODE NO.: **DALDRINK**

REF. NO.: **DE91**

ITEM DESCRIPTION: **Weekly Spender's Expenditure on Alcoholic Drink**

DERIVED FROM (LISTED CONSTITUENT CODES):

D280	D290
D281	D291
D283 to D286	D293 to D296
D289	D299

FORMULA (OR NARRATIVE SPECIFICATION):

Sum of codes given above including any with qualifier values 1, 2, 3, 5, 6 and (if any) 9 - see Appendix B3.

FORMAT:

3 dps

VALIDATION:

RANGE:

Positive Values

CODES IN SAME "FAMILY" :

**DHOUSING
DFUEL
DFOOD**

OTHER POINTS:

Used by Output Block QA

**DTOBACCO
DCLOTH
DJURABLE
DOGOODS
DVEHICLE
DMISC
DSERVICE
DTOTEXP
DORECPAY
DINSCRED**

DERIVED CODES

CODE NO.: DTOBACCO

REF. NO.: DE92

ITEM DESCRIPTION: Weekly Spender's Expenditure on Tobacco

DERIVED FROM (LISTED CONSTITUENT CODES):

D211
D212
D213

FORMULA (OR NARRATIVE SPECIFICATION):

Sum of codes given above including any with qualifier values 1, 2, 3, 5, 6 and (if any) 9 - See Appendix B3

FORMAT:

3dps

VALIDATION:

RANGE:

Positive Values

CODES IN SAME "FAMILY" :

DHOUSING
DFUEL
DFOOD
DALDRINK

OTHER POINTS:

Used by Output Block QA

D CLOTH
D DURABLE
D GOODS
D VEHICLE
D MISC
D SERVICE
D TOTEXP
D RECPAY
D INSCRED

DERIVED CODES

CODE NO.: DCLOTH

REF. NO.: DE93

ITEM DESCRIPTION: Weekly Spender's Expenditure on
Clothing and Footwear

DERIVED FROM (LISTED CONSTITUENT CODES):

D301 D303 D304 D311 D313 D314 D321 D323 D324
D325 D327 to D332 D334 D341 D342 D343 D349

FORMULA (OR NARRATIVE SPECIFICATION):

Sum of codes given above including any with qualifier
values 1, 2, 3, 5, 6 and (if any) 9 - See Appendix B3.

FORMAT:

3 dps

VALIDATION:

RANGE:

Positive Values

CODES IN SAME "FAMILY" :

DHOUSING
DFUEL
DFOOD
DALDRINK
DTOBACCO

OTHER POINTS:

Used by Output Block QA

DJURABLE
DOGOODS
DVEHICLE
DMISC
DSERVICE
DTOTEXP
DORECPAY
DINSCRED

78H

-7 JAN 1986 3 03

v2

DERIVED CODES

CODE NO.: **DDURABLE**

REF. NO.: **DE 94**

ITEM DESCRIPTION: **Weekly Spender's Expenditure on Household Durables**

DERIVED FROM (LISTED CONSTITUENT CODES):

**D401 D404 D405 D407 to D414 D417 D419 D420
D422 D423 D431 D434 D436 D601 D603 D604
D784 D786 D921**

FORMULA (OR NARRATIVE SPECIFICATION):

Sum of the codes given above including any with qualifier values of 1, 2, 3, 5, 6 and (if any) 9 - see Appendix B3.

FORMAT:

3dps

VALIDATION:

RANGE:

Positive Values

CODES IN SAME "FAMILY" :

**DHOUSING
DFUEL
DFOOD
DALDRINK
DTOBACCO
DCLOTH
DGOODS
DVEHICLE
DMISC
DSERVICE
DTOTEXP
DORECPAY
DINSCRED**

OTHER POINTS:

Used by Output Block QA

DERIVED CODES

CODE NO.: **DOGGOODS**

REF. NO.: **DE 95**

ITEM DESCRIPTION: **Weekly Spender's Expenditure on
Other Goods**

DERIVED FROM (LISTED CONSTITUENT CODES):

D611	D634	D723	D746
D612	D641 to D644	D731 to D734	D749
D621 to D625	D648		
D631	D721	D741	
D632	D722	D745	

FORMULA (OR NARRATIVE SPECIFICATION):

**Sum of the codes given above including any with qualifier
value 1, 2, 3, 5, 6 and (if any) 9 - see Appendix B3.**

FORMAT:

3 dps

VALIDATION:

RANGE:

Positive Values

CODES IN SAME "FAMILY" :

**DHOUSING
DFUEL
DFOOD
DALDRINK
DTOBACCO
DCLOTH
DJURABLE**

OTHER POINTS:

Used by Output Block QA

**DVEHICLE
DMISC
DSERVICE
DTOTEXP
DORECPAY
DINSCRED**

DERIVED CODES

CODE NO.: **DVEHICLE**

REF. NO.: **DE 96**

ITEM DESCRIPTION: **Weekly Spender's Expenditure on Transport and Vehicles**

DERIVED FROM (LISTED CONSTITUENT CODES):

D501	DS42	D940 to D944
D502	DS45	D950
D503	DS46	D951
D508 to D512	DS48	D964
D541	DS49	D977

FORMULA (OR NARRATIVE SPECIFICATION):

Sum of the codes given above, including any with qualifier values 1, 2, 3, 5, 6, and (if any) 9 - see Appendix B3.

FORMAT:

3 dps

VALIDATION:

RANGE:

Positive Values

CODES IN SAME "FAMILY" :

**DHOUSING
DFUEL
DFOOD
DALDRINK
DTOBACCO
DCLOTH
DJURABLE
DOGOODS**

OTHER POINTS:

Used by Output Block QA

**DMISC
DSERVICE
DTOTEXP
DORECPAY
DINSCRED**

78K

- 8 JAN 1956

v2

306

DERIVED CODES

CODE NO.: **DSERVICE**

REF. NO.: **DE97**

ITEM DESCRIPTION: **Weekly Spender's Expenditure on Services**

DERIVED FROM (LISTED CONSTITUENT CODES):

D227	D756	D775	D796 to D799	D935	D997
D228	D757	D781	D802	D970	D998
D229	D759	D782	D804 to D807	D980	
D751	D760 to D764	D788 to D791	D930	D981	
D752	D766 to D773	D793	D932	D984	

FORMULA (OR NARRATIVE SPECIFICATION):

Sum of the codes given above including any with qualifier values 1, 2, 3, 5, 6 and (if any) 9 - see Appendix B3.

FORMAT:

3 dps

VALIDATION:

RANGE:

Positive Values

CODES IN SAME "FAMILY" :

**DHOUSING
DFUEL
DFOOD
DALDRINK
DTOBACCO
DCLOTH
DJURABLE
DOGOODS
DVEHICLE
DHISC**

OTHER POINTS:

Used by Output Block QA

**DTOTEXP
DORECPAY
DINSURED**

78L

8 JAN 1997

v2

DERIVED CODES

CODE NO.: DORECPAY

REF. NO.: DE98

ITEM DESCRIPTION: Weekly Spender's Expenditure
- Other Recorded Payments

DERIVED FROM (LISTED CONSTITUENT CODES):

D803
D811 to D814
D821 to D824 (subtracted)
D922 to D926
D990

D991

D992

FORMULA (OR NARRATIVE SPECIFICATION):

Sum of the codes given above, including any with qualifier
values 1, 2, 3, 5, 6 and (if any) 9 - see Appendix B3

FORMAT:

3 dps

VALIDATION:

RANGE:

Positive Values

CODES IN SAME "FAMILY" :

DHOUSING
DFUEL
DFOOD
DALDRINK
DTOBACCO
DCLOTH
DJURABLE
DOGOODS
DVEHICLE
DMISC
DSERVICE
DTOTEXP

OTHER POINTS:

Used by Output Block QA

DINSCRED

DERIVED CODES

CODE NO.: **DINSCRED**

REF. NO.: **DE99**

ITEM DESCRIPTION: **Weekly Spender's Expenditure
- Instalment Credit**

DERIVED FROM (LISTED CONSTITUENT CODES):

**D960 D996
D963 D999
D966
D969**

FORMULA (OR NARRATIVE SPECIFICATION):

**Sum of the codes given above including any with
qualifier values 1, 2, 3, 5, 6 and (if any) 9 - See Appendix B3.**

FORMAT:

3 dps

VALIDATION:

RANGE:

Positive Values

CODES IN SAME "FAMILY" :

**DHOUSING
DFUEL
DFOOD
DALDRINK
DTOBACCO
DCLOTH
DDURABLE
DOGOODS
DVEHICLE
DMISC
DSERVICE
DTOTEXP
DORECPAY**

OTHER POINTS:

Used by Output Block QA

DERIVED CODES

CODE NO.: **DHISC**

REF. NO.: **DE 100**

ITEM DESCRIPTION: **Weekly Spender's Expenditure on
Miscellaneous Items**

DERIVED FROM (LISTED CONSTITUENT CODES):

D750 D801

FORMULA (OR NARRATIVE SPECIFICATION):

**Sum of D750 and D801 at the person level including any
with qualifier values 1, 2, 3, 5, 6 and (if any) 9 - see
Appendix B3**

FORMAT:

3dps

VALIDATION.

RANGE:

Positive Values

CODES IN SAME "FAMILY" :

**DHOUSING
DFUEL
DFOOD
DALDRINK
DTOBACCO
DCLOTH
DJURABLE
DOGOODS
DVEHICLE**

OTHER POINTS:

Used by Output Block QA

**DSERVICE
DTOTEXP
DORECPAY
DINSCRED**

DERIVED CODES

CODE NO.: D TOTEYP

REF. NO.: DE101

ITEM DESCRIPTION: Weekly Spender's Expenditure
- Total

DERIVED FROM (LISTED CONSTITUENT CODES):

DE88 to DE97

DE100

(ie codes marked * below)

FORMULA (OR NARRATIVE SPECIFICATION):

Sum of these 11 constituent codes

FORMAT:

3dps

VALIDATION:

RANGE:

Positive Values

CODES IN SAME "FAMILY" :

DHOUSING *
DFUEL *
DFOOD *
DALDRINK *
DTOBACCO *
DCLOTH *
DJURABLE *
DOGOODS *
DVEHICLE *
DMISC *
DSERVICE *

OTHER POINTS:

Used by Output Block QA

DORCPAY
DINSCRED

78P

- 8 JAN 1995

311

V2

DERIVED CODES

CODE NO.: A210

REF. NO.: DE 102

ITEM DESCRIPTION: Occupation

DERIVED FROM (LISTED CONSTITUENT CODES):

OCCUP
A201

FORMULA (OR NARRATIVE SPECIFICATION):

IF (OCCUP GE 1 AND LE 9), A210 = OCCUP

IF (A201 EQ 6), A210 = 10

IF (A201 EQ 3 OR 4 OR 5 OR 7) AND OCCUP NOT IN RANGE 1 TO 9,
A210 = 11

FORMAT: I2

VALIDATION:

RANGE:

1 to 11

CODES IN SAME "FAMILY"

OTHER POINTS:

Formerly specified as a raw database (schedule) code

9 JAN 1986

78Q

312

V2

FAMILY EXPENDITURE SURVEY 1986INDEX TO CODING FRAMES
FOR DERIVED CODES

Coding Frame	Description
1	Type of Administrative Area
2	Household Composition
3	Occupation
4	Industry
5	Type of Household (Pensioner/Index/Wealthy)
6/7	Ranges of Gross Income/disposable Income/ Total Expenditure
11	Week Numbers
12	Households with married women (Composition)
18	Standard Regions
19	Age of Head of Household/Wife of Head/Chief Economic Supporter
23	Economic Position
27	Head of Household out of a job

See Appendix C (Code Lists) for other coding frames

Family Expenditure Survey 1986

Coding Frame 1 Type of Administrative Area
(Information Code A097)

Value	Type of Administrative Area	Remarks
1	Greater London	
2	Metropolitan Districts and Central Clydeside Conurbation	
	<u>Non-Metropolitan Districts:</u>	
3	Areas with population density of 3.2 or more persons per acre. (7.9 or more persons per hectare)	
4	Areas with population density of 0.9 but less than 3.2 persons per acre. (2.2 but less than 7.9 persons per hectare)	
5	Areas with population density of less than 0.9 persons per acre (2.2 persons per hectare)	

FAMILY EXPENDITURE SURVEY 1986

CODING FRAME 2

HOUSEHOLD COMPOSITION (Information Codes A061 and A062)

Value	Composition of Household	Remarks
1	One man	For code A062, children are defined as unmarried persons under 18. Men, women and adults are married persons irrespective of age, or unmarried persons aged 18 or over.
2	One Woman	
3	One man, 1 child	
4	One woman, 1 child	
5	One man, 2 or more children	
6	One woman, 2 or more children	
7	One man and 1 woman	
8	Two men or 2 women	
9	One man, 1 woman and 1 child	For code A061 children are persons aged under 16. Men, women and adults are persons aged 16 or over.
10	Two men or 2 women, and 1 child	
11	One man, 1 woman, 2 children	
12	Two men or 2 women, and 2 children	
13	One man, one woman, 3 children	
14	Two men or 2 women, and 3 children	
15	Two adults, 4 children	
16	Two adults, 5 children	
17	Two adults, 6 or more children	
18	Three adults	
19	Three adults, 1 child	
20	Three adults, 2 children	
21	Three adults, 3 children	
22	Three adults, 4 or more children	
23	Four adults	
24	Four adults, 1 child	
25	Four adults, 2 or more children	
26	Five adults	
27	Five adults, 1 or more children	
28	Six or more adults	
29	Households comprising children only	
30	All other households with children	

23/7/85

Family Expenditure Survey, 1986

Occupation (Information codes A092, A177, A210 and ~~A210~~ ^{OCCUP})

Coding Frame 3

Value	Occupation	Remarks
1	Professional and technical workers	
2	Administrative and managerial workers	
3	Teachers	
4	Clerical workers, eg clerks, commercial travellers, agents	
5	Shop assistants	
6	Manual workers - skilled	
7	" " - semi-skilled	
8	" " - unskilled	
9	Members of HM Forces	
10	Retired	
11	Unoccupied	

Note Values 1 to 9 are entered at code ~~A210~~ ^{OCCUP} on Schedule B and are based on the Social Classes used in OPCS Classification of Occupations. Values 10 and 11 at code A210 are allocated by the computer for persons coded 5 to 7 at code A201 of Schedule B. For codes ~~A210~~, A092 and A177 values 1 to 9 are allocated by computer only to workers (ie persons coded 1 at code A015). Non workers, including spenders without a recording at code ~~A210~~ are allocated to values 10 or 11 at codes ~~A210~~, A092 and A177. ^{OCCUP}

Family Expenditure Survey 1986

Coding Frame 4

Industry (Information codes A093, A211 and A243)

Value	Industry	SIC Class No.
1	Agriculture, forestry, fishing	01-03
2	Extraction, processing and production of coal, coke, mineral oil, natural gas and nuclear fuel	11-15
3	Gas, electricity and other forms of energy; water supply	16-17
4	Metal extraction and manufacture	21-22
5	Extraction of minerals nes; manufacture of non-metallic mineral products	23-24
6	Chemicals and allied industries; production of man-made fibres	25-26
7	Mechanical engineering; manufacture of metal goods nes	31-32
8	Electrical and electronic engineering; office machinery	33-34
9	Manufacture of vehicles, inc parts, and other transport equipment	35-36
10	Instrument engineering	37
11	Food, drink and tobacco manufacture	41-42
12	Textiles	43
13	Leather and leather goods	44
14	Clothing, footwear, household textiles and fur	45
15	Timber, furniture etc	46
16	Paper, printing and publishing	47
17	Processing or rubber and plastic; other manufacturing industries	48-49
18	Construction	50
19	Distributive trades, wholesale and retail	61-65
20	Hotels and catering	66
21	Repair of consumer goods and vehicles	67
22	Rail transport	71
23	Other transport and misc transport services	72-77
24	Postal services and communications	79
25	Insurance, banking, finance, real estate and business services	81-85
26	Justice; Social Security; National defence; National Government nes	91 Part (9111, 9120, 9150, 9190)
27	Police and Fire Service	91 (9130, 9140)
28	Sanitary services; Local Government service nes	91(9112), 92
29	Education; Research and Development	93-94
30	Medical, other health and veterinary services; Other services provided to the general public	95-96
31	Recreational and cultural services	97
32	Personal and domestic services	98-99
33	Diplomatic representation and international organisations	00

Note At code A211 an industry coding is allocated to some non workers.
At codes A093 and A243 an industry coding is only allocated to workers (ie persons coded 1 at code A015).

Family Expenditure Survey 1986

Coding Frame 5

TYPE OF HOUSEHOLD
(Information Code A069)

Value	
1	Pensioner Household (DE definition - see below)
2	"Index" Household - (non-pensioner household, where income of Head of household is less than f*)
3	"Wealthy" Household (non-pensioner household, where income of Head of household is f* or more)

Pensioner households are those in which the following sources of income amount to at least three-quarters of the total household income (code 344P):-

- a) NI Disablement/war disability pensions received by men aged 60 or more.
- b) Current supplementary benefit received in conjunction with NI Disablement/war disability pensions by men aged 60 or more who are not in employment or who have been away from work without pay for more than 13 weeks.
- c) NI Retirement pensions or current invalidity Pensions received by men aged 65 or more.
- d) Current unemployment, sickness, industrial injury or supplementary benefit received by men aged 65 or more who are not in employment or who have been away from work without pay for more than 13 weeks.
- e) NI Retirement, Widows, War disability or current invalidity pensions received by women aged 60 or more.
- f) Current unemployment, sickness, industrial injury or supplementary benefit received by women aged 60 or more who are not in employment or who have been away from work without pay for more than 13 weeks.

* 1986 values to be notified as follows : Q1 & Q2 in February 1986
Q3 & Q4 in July 1986
The value used throughout 1984 was £350

Family Expenditure Survey 1986*

Coding Frames 6/7

Ranges of Gross Income of Household (Information code A059)

Ranges of Gross Income of Head (Information code A060)

Ranges of Gross Income of Chief Economic supporter (Information code A175)

Ranges of total expenditure (Information code A067)

Ranges of Disposable Income (Gross Household Income, less tax and NI Conts. Information code A107)**

Range No.	From f's per week	To f's per week
1	0.000**	39.999
2	40.000	44.999
3	45.000	49.999
4	50.000	54.999
5	55.000	59.999
6	60.000	64.999
7	65.000	69.999
8	70.000	79.999
9	80.000	89.999
10	90.000	99.999
11	100.000	109.999
12	110.000	119.999
13	120.000	124.999
14	125.000	139.999
15	140.000	149.999
16	150.000	159.999
17	160.000	174.999
18	175.000	179.999
19	180.000	199.999
20	200.000	224.999
21	225.000	249.999
22	250.000	274.999
23	275.000	299.999
24	300.000	324.999
25	325.000	349.999
26	350.000	374.999
27	375.000	399.999
28	400.000	449.999
29	450.000	499.999
30	500.000	Infinity

*These are the 1984 ranges. The 1986 ranges will be determined in February 1986 and notified to CB4.

** Negative values are to be included in Range No 1 for Code A107, Disposable Income.

Family Expenditure Survey 1986

CODING FRAME 11

WEEK NUMBERS (Allocated according
to the date on which households
commenced record-keeping)

Week No.	STARTING DATES (All dates inclusive)	Week No.	STARTING DATES (All dates inclusive)
01	January, 1 to 7	25	July, 1 to 7
02	" 8 to 15	26	" 8 to 15
03	" 16 to 23	27	" 16 to 23
04	" 24 to 31	28	" 24 to 31
05	February, 1 to 7	29	August, 1 to 7
06	" 8 to 14	30	" 8 to 15
07	" 15 to 21	31	" 16 to 23
08	" 22 to end	32	" 24 to 31
09	March, 1 to 7	33	September, 1 to 7
10	" 8 to 15	34	" 8 to 15
11	" 16 to 23	35	" 16 to 23
12	" 24 to 31	36	" 24 to 30
13	April, 1 to 7	37	October, 1 to 7
14	" 8 to 15	38	" 8 to 15
15	" 16 to 23	39	" 16 to 23
16	" 24 to 30	40	" 24 to 31
17	May, 1 to 7	41	November, 1 to 7
18	" 8 to 15	42	" 8 to 15
19	" 16 to 23	43	" 16 to 23
20	" 24 to 31	44	" 24 to 30
21	June, 1 to 7	45	December, 1 to 7
22	" 8 to 15	46	" 8 to 15
23	" 16 to 23	47	" 16 to 23
24	" 24 to 30	48	" 24 to 31
		49	after December 31

Family Expenditure Survey 1986

Coding Frame 12

Households with married women
(Information code A052)

Value

- 1 Household with a working married woman with no children
- 2 Household with a working married woman with one child
- 3 Household with a working married woman with two children
- 4 Household with a working married woman with three children
- 5 Household with a working married woman with four children
- 6 Household with a working married woman with five children
- 7 Household with a working married woman with six or more children
- 8 Household with a married woman, not working, with no children
- 9 Household with a married woman, not working, with one child
- 10 Household with a married woman, not working, with two children
- 11 Household with a married woman, not working, with three children
- 12 Household with a married woman, not working, with four children
- 13 Household with a married woman, not working, with five children
- 14 Household with a married woman, not working, with six or more children

Note This code is formed by a computer program which identifies the first working married woman in each household (Code A004, value 2; Code A006, value 1 or 2 and Code A015 value 1). Where a working married woman is identified the number of children aged under 18 within the same family unit (Code A008) is then counted and Code A052 with values 1 to 7 above is formed for the household. Values 8 to 14 are formed for all other households with a married woman, the number of children again being determined by the number of children aged under 18 within the same family unit.

Family Expenditure Survey 1986

Coding Frame 18

Standard Regions (order is as used
in the FES Annual Report)
(Information code A098)

Value	Standard Region	OPCS' P.A.F. REGION CODE = PAFREG
1	Northern	1,2
2	Yorks and Humberside	3,4
3	North Western	5,6
4	East Midlands	7
5	West Midlands	8,9
6	East Anglia	10
7	Greater London	11,12,13,14
8	South East (except Greater London)	15,16
9	South Western	17
10	Wales	18,19
11	Scotland	20,21,22,23,24
12	N Ireland	25,26,27

Family Expenditure Survey, 1986

Age of Head of Household (Information Code A065)

Coding Frame 19

Age of Wife of Head (Information Code A066)

Age of Chief Economic Supporter (Information code A176)

Range Nos.	Age	Remarks
3	15 but under 20 years	The range number is obtained by dividing the age by 5 and ignoring any fraction remaining.
4	20 " " 25 "	
5	25 " " 30 "	
6	30 " " 35 "	
7	35 " " 40 "	
8	40 " " 45 "	
9	45 " " 50 "	
10	50 " " 55 "	
11	55 " " 60 "	
12	60 " " 65 "	
13	65 " " 70 "	
14	70 " " 75 "	
15	75 " " 80 "	
16	80 " " 85 "	
17	85 " " 90 "	
18	90 " " 95 "	
19	95 and over	

Family Expenditure Survey 1986

Coding Frame 23

Economic Position
(Information codes A090, A094, A178 and A202)

Value	Economic Position	Remarks
1	Self-employed	These values are formed by computer from information codes A004, A005, A201, A207 and A220 and product code 021P (see sheet Ref No. 65 - A202 for details).
2	Full-time employee at work	
3	Part-time employee at work	
4	Full-time employee temporarily away from work	
5	Part-time employee temporarily away from work	
6	Retired and of minimum NI pension age	
7	Retired but under minimum NI pension age	
8	Unoccupied and of minimum NI pension age	
9	Unoccupied but under minimum NI pension age	
10	Employee out of a job - worker	
11	Employee out of a job - non worker	

FAMILY EXPENDITURE SURVEY 1986

Coding Frame 27

Head of Household out of a job
(Information code A075)

Value	Description	Remarks
1	Unemployed - worker	Heads coded value 3 at code A201 and value 1 at code A015
2	Unemployed - non worker, away from work for more than one year	Heads coded value 3 at code A201 and greater than 52 at code A208
3	Unemployed - non worker, has never worked	Heads coded value 3 at code A201 and not coded at code A210
4	Sick but intending to seek work - worker	Heads coded value 4 at code A201 and value 1 at code A015
5	Sick but intending to seek work - non worker, away from work for more than one year	Heads coded value 4 at code A201 and greater than 52 at code A208
6	Sick but intending to seek work - non worker, has never worked	Heads coded value 4 at code A201 and not coded at code A210

Diagrams of constituent codes of product codes used by
derived codes :

P344
P345
P364
P389

12 DEC 1985

326

93 (94 - 96 blank)

Diagrams of constituent codes of product codes used by
derived codes :

P344
P345
P364
P389

Example of sample area sheet:

The form in which data about the sample areas are transferred from OPCS to CB4 under the PAF system beginning in 1986, has yet to be decided.

The following data will have the sample area sheets as their source:

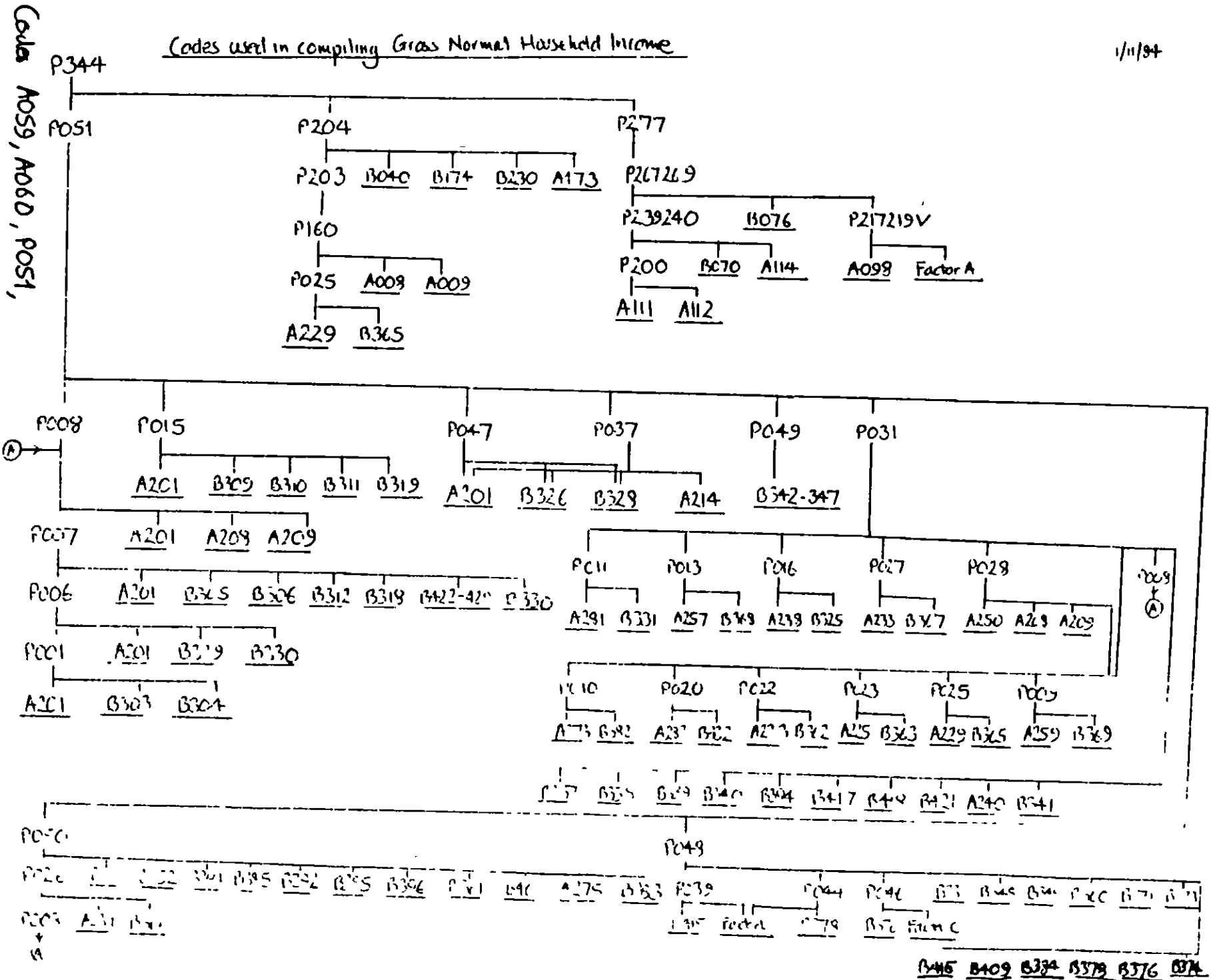
Code A055
Code A097
Code A098
Code A099

} AREANUM will be the key field

(Local Authority Code)
(Domestic Rate Poundage)
(Water Rate Poundage)
(Water Rate Annual Standing Charge)
(Sewerage Rate Poundage)
(Sewerage Rate Annual Standing Charge)
(Environmental Rate Poundage)

Codes used in compiling Gross Normal Household Income

1/11/84



97

12/12/84

328

P344

Codes used in compiling Gross Normal Head of Household Income

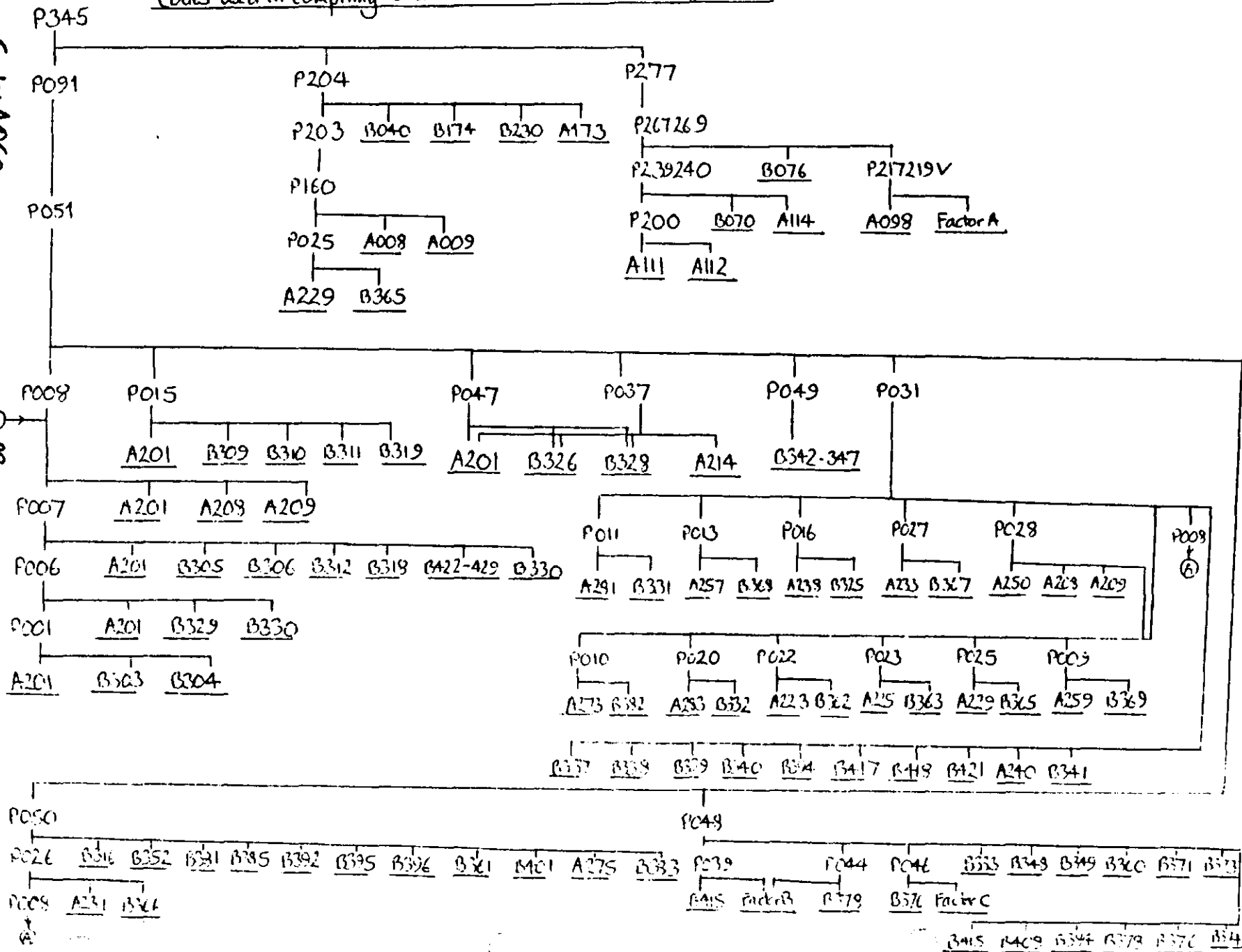
2/11/84

Case: A060

98

23/11/84

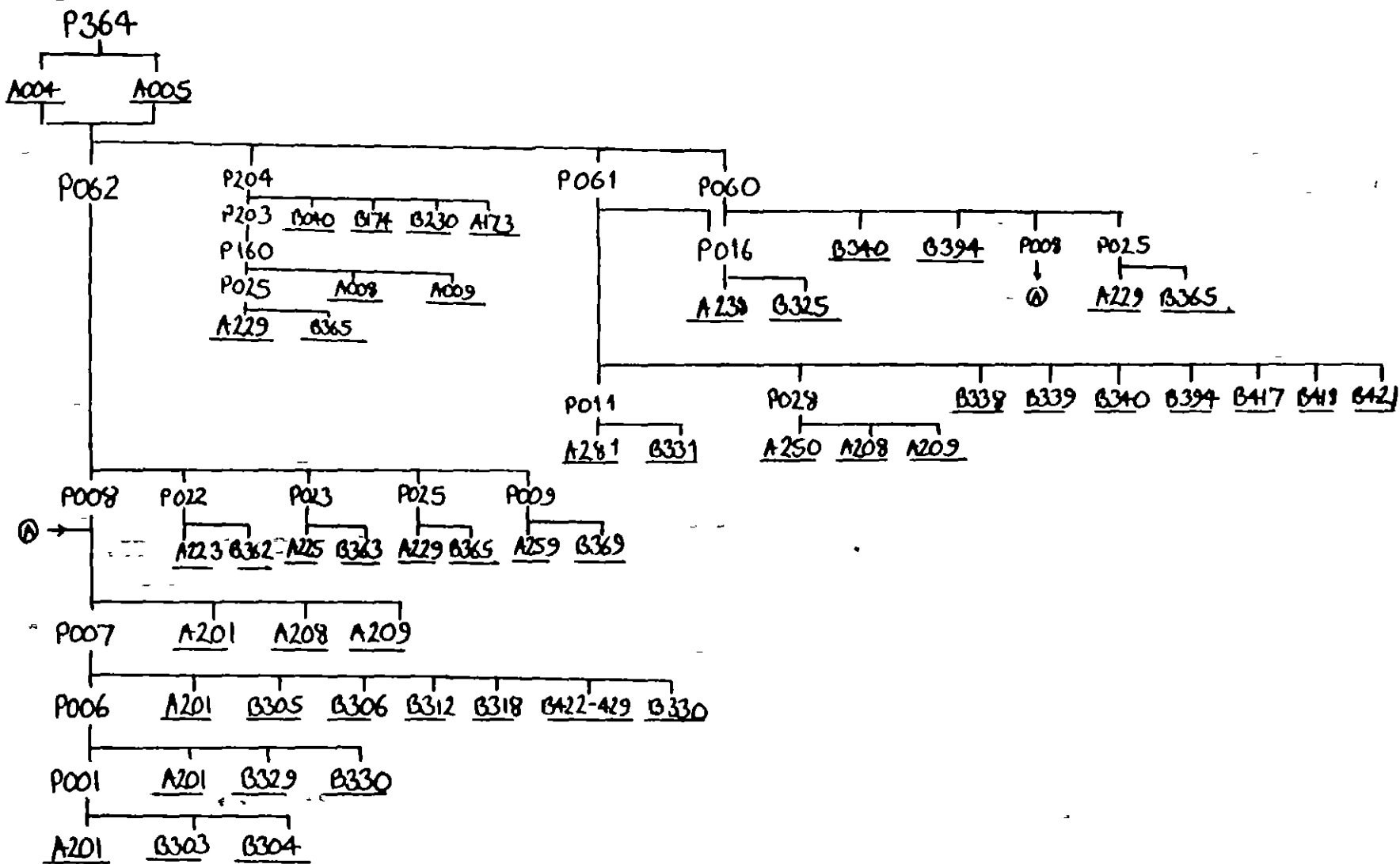
329



P345

Codes used for Pension Income (DE Definition)

Code: A069



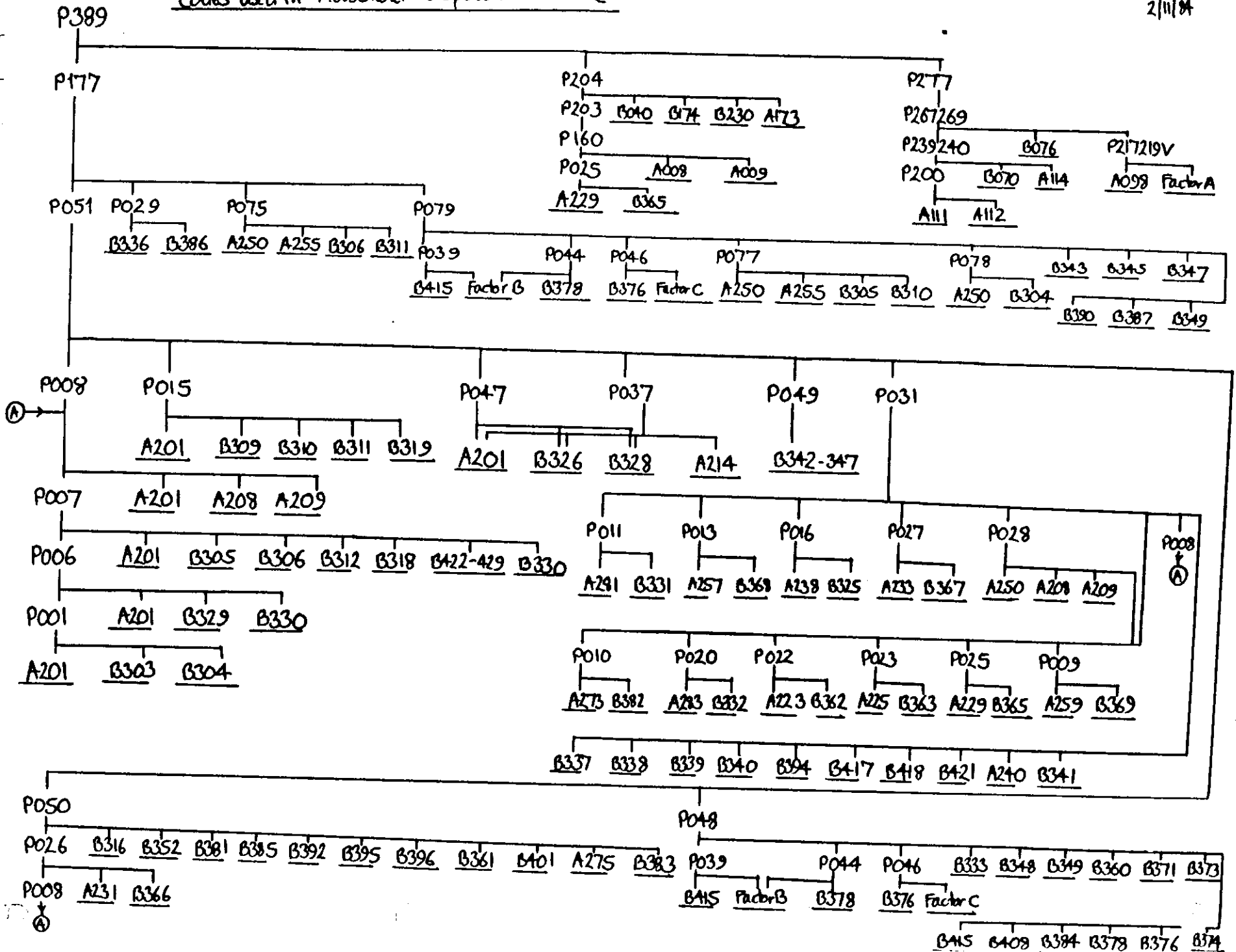
99

23/11/94

Codes used in Household Disposable Income

2/11/84

Code: A107



80

23/11/84 331

P389

FAMILY EXPENDITURE SURVEY 1936

SPECIFICATION OF EXPENDITURE
CODES FROM DIARY RECORD
BOOKS

NOTE . The Third Revision of Appendices B1 to B5 updates the documents to a "1935" basis. Appendices B1 to B5 were formerly issued as a single document called Appendix B (Second Revision dated 9.7.35).

MJJ

Stats A5

to September 1935
(Third Revision)

SPECIFICATION OF EXPENDITURE ITEM CODES

Notes:

- 1 These codes are to be used for itemised expenditure on all schedules ie for expenditure through deductions from pay for expenditure by standing order for acquisitions by credit mail order HP budget account credit card and for expenditure recorded in the diaries.
- 2 All expenditures are converted to weekly equivalent values (WEVs) during computer processing. WEVs are recorded on the databases to 3 decimal places of a £.
- 3 A record (Record Type 89) will be held at person level for each expenditure item code for which expenditure is non-zero. It will contain the sum of the WEVs for all occurrences of that expenditure item ('PDCODVAL'). These values will be accumulated from all sources on the A, B, C, and D schedules for qualifier values '0' on the A, B, and C Schedules and '0', '1', or '3' on the D Schedule (see Appendix T). These records will be keyed by a field ('PDRCODE') containing the expenditure item code.
- 4 At household level, a variable, identified by a 'D' prefix followed by the 3 digit expenditure item code, will contain values for that code accumulated for all persons in the household (eg D723 will contain all diary purchases of magazines and periodicals plus all credit and HP purchases plus all purchases of magazines and periodicals paid by standing orders or by deductions from current pay summed from data for each member of the household). These 'D' codes replace the majority of the old system's "alpha group" codes.

29 January 1986

Code	Description
------	-------------

FOOD

101	Bread, milk loaves, rolls
102	Flour, plain and self-raising
103	Biscuits, shortbread, wafers, etc
104	Cakes, currant bread, fruit pies, pastries, scones, etc
105	Composite purchases of bread, flour, biscuits and cakes
108	Dry cereals
111	Beef and veal; including minced meat
112	Mutton and lamb
113	Pork
114	Bacon and ham, uncooked
115	Offal
121	Cooked (including canned) ham
122	Sausages (uncooked), sausage meat
123	Cooked meats and meat products, canned and bottled meat
127	Poultry, rabbit, game, venison - cooked, uncooked, frozen, bottled
129	Meat not otherwise defined
130	Protein meat substitute
131	Fish - fresh
132	Fish - canned
133	Fish - frozen
138	Fish and chips
140	Eggs, fresh and dried
141	Butter
142	Margarine
143	Fresh milk
144	Fresh cream, skimmed milk, canned and dried milk and cream, yoghurt, other milk products, baby milk foods
146	Cheese, including processed
149	Lard, cooking and other oils and fats
150	Canned/bottled baby foods (not milk)
151	Vegetables - fresh
154	Vegetables - canned, bottled, dried
155	Vegetables - frozen

Code	Description
------	-------------

FOOD (contd)

156 Potato products and processed potatoes

158 Potatoes (raw)

Note If specific fruit and vegetables are not distinguished as between fresh, canned, bottled, etc, they are treated as fresh.

160 Fresh fruit

163 Fruit - canned, bottled, frozen, dried, juices

165 Tomatoes - fresh, canned, bottled

171 Tea

172 Coffee, coffee essence

173 Proprietary food drinks and non-proprietary food drinks, other than baby milk foods

181 Sugar

182 Syrup, lemon curd, honey, jam, marmalade

183 Ice cream

184 Soft drinks (squashes, cordials, crystals)

185 Sweets and chocolates

191 Packaged and canned foods

192 Flavourings, colourings, additives

195 Pickles, sauces, chutneys

196 'Take-away' food (cold) consumed at home, cold sandwiches, cold rolls with filling, cold meat pies, cold sweet pies

197 'Take-away' food (hot) consumed at home, toasted sandwiches, hot rolls with filling, hot meat pies, hot sweet pies

199 Food undefined

Code	Description
------	-------------

TOBACCO

211	Cigarettes, cigarette tobacco and papers
212	Pipe tobacco
213	Cigars, snuff

SPACE HEATING (STRUCTURAL)

216	Space heating, (structural)
-----	-----------------------------

HOUSING

221	House purchase including deposits
222	Caravan purchase including deposits
223	Structural additions and enlargements
224	Repairs, decorations and replacements
225	Second dwelling - electricity a/c
226	Second dwelling - gas a/c
227	Second dwelling - telephone a/c
228	Second dwelling - rent, rates, etc
229	Second dwelling - TV licence
230	Second dwelling - structural additions and enlargements

Purchase of material and tools for house maintenance

235	Fittings
236	Tools
237	Paint, Wallpaper, Timber and Hardboard
238	Other materials
239	Composite or undefined of item codes 235-238

FUEL, LIGHT AND POWER

240	House coal, anthracite and boiler fuel (excluding premium smokeless fuels)
242	Coke and premium smokeless fuels
252	Paraffin and fuel oil other than for central heating
254	Gas, slot meter payments
255	Electricity, slot meter payments
259	Other fuel and light and fuel undefined

Code	Description
------	-------------

ALCOHOLIC DRINKa) Alcoholic drink brought home

280	Beer, stout, ale, shandy
281	Cider, perry
283	Fortified Wines
284	Non-fortified wines
285	Wine, unspecified
286	Spirits, liqueurs
289	Alcoholic drink incompletely described

b) Alcoholic drink bought and consumed away from home

290	Beer, stout, ale, shandy
291	Cider, perry
293	Fortified wines
294	Non-fortified wines
295	Wine, unspecified
296	Spirits, liqueurs
299	Alcoholic drink incompletely described, eg "rounds of drink"

CLOTHING AND FOOTWEAR

301	Men's outerwear (including shirts)
303	Men's underwear
304	Men's hosiery
311	Women's outerwear
313	Women's underwear
314	Women's hosiery
321	Boys' outerwear (including shirts)
323	Boys' underwear
324	Boys' hosiery
325	Girls' outerwear
327	Girls' underwear
328	Girls' hosiery
329	Infants' clothing
330	Clothing materials
331	Men's and boys' headgear
332	Women's and girls' headgear and headgear not fully described; haberdashery
334	Other clothing charges
341	Men's footwear
342	Women's footwear
343	Children's including infant's footwear
349	Footwear undefined

Code	Description
------	-------------

DURABLE HOUSEHOLD GOODS

401	New and second-hand furniture (<i>not built in</i>)
404	Floor coverings including making up charges
405	New and second-hand household textiles, including making up charges
407	New and second-hand mattresses
408	Purchase of TV games
409	Radios, televisions, gramophones, tape recorders (New and second hand)
410	Purchase of home computers
411	New and second-hand gas cookers
412	Gas and electric durables not coded elsewhere (<i>New and second hand</i>)
413	New and second-hand electric cookers
414	Telephones and answering machines
417	New and second-hand electric washing/drying machines
419	New and second-hand electric fridges, freezers
420	Purchase of video records
422	Spare parts for radios, televisions, gramophones, tape recorders, videos
423	Spare parts for gas and electric durables
431	China and glassware, pottery
434	Major household appliances excluding parts other than fittings not powered by gas/electricity
436	Household items not coded elsewhere

VEHICLES

3 500	New and secondhand motor cycles)
501	New cars) Hire-purchase
502	Second-hand cars) credit transactions only.
505	Other new and second-hand vehicles
508	Repairs and other service charges to vehicles other than cars and motor cycles
509	Car accessories, parts and replacements new and second-hand
510	Motor-cycle accessories, parts and replacements new and second-hand
511	Other vehicle accessories, parts and replacements, new and second-hand
512	Driving Licences
541	Petrol and diesel oil
542	Other motor oils
545	Garage rent, rates (if separate), and ground rent
546	AA and RAC subscriptions
548	Car and motor cycle repairs and servicing
549	Other car and motor cycle costs

13 DEC 1985

Code	Description
------	-------------

TRAVEL

551	Rail or tube fares other than season tickets
552	Bus, coach fares other than season tickets
553	All air travel
554	Water travel other than season tickets
555	Taxis, including hired cars with driver
556	Hire or self-drive cars
557	Monetary contribution towards cost of travel in friends' etc vehicle
559	Other travel and transport and transport undefined

OTHER GOODS

*601	New and second-hand musical instruments and parts
*603	New and second-hand records audio and home computer cassettes
*604	Purchase and rental of video cassettes, discs and accessories
611	Non NHS spectacles, but not sunglasses
612	NHS spectacles
621	Drugs and medicines (other than NHS) including items undefined as to NHS or other
622	Cosmetics
623	Toilet paper
624	Other toilet requisites
625	Charges for items bought on NHS prescriptions and payments for NHS appliances
631	Toys
632	Photographic goods, optical goods
634	Hobbies
641	Sports goods (not clothes)
642	Leather and travel goods, umbrellas, walking sticks
643	Jewellery, watches and clocks, silverware
644	Decorative fancy goods, smokers requisites
648	Stationery
721	Books (not library subscriptions) including school and text books
722	Newspapers
723	Magazines/Periodicals
731	Food for animals and pets, not normally for human consumption
732	Other expenditure on animals and pets
733	Seeds, plants, flowers
734	Plant fertilizers
741	Matches
745	Toilet soap
746	Other soap and soap products
749	Other cleaning materials
750	Miscellaneous expenditure on goods not assigned to any other code

* Durable Household Goods

Code	Description
<u>SERVICES</u>	
751	Postage, including parcel post and poundage
752	Telephone (not telephone account), telegrams
756	Hotels and boarding houses
757	Holidays in Channel Islands and Isle of Man and abroad
759	Holiday expenses not allocated elsewhere
761	Cinemas → Cable TV line rental
762	Dances (admission)
763	Theatres, concerts, circus
764	Participant sports and pastimes - subscriptions and admissions
766	Football matches - (admission)
767	Other spectator sports (admission)
768	Radio/TV rental - slot meter payments, TV game console
769	Miscellaneous entertainment not assignable to specific item codes
770	Stamp duties to Central Authorities
771	Domestic services
772	Licences other than TV and driving licences
773	NHS payments - dentists
775	Private medical, dental, optician, etc fees, Excluding non-NHS spectacles Including items undefined as to NHS or other
781	Sweeps and window cleaners
782	Repairs to footwear and materials for home repairs
*784	Repairs and maintenance to tape recorders, radio, television and musical instruments, video, TV game, home computers
**785	Repairs and maintenance to central heating appliances
*786	Repairs and maintenance to other gas and electric appliances
787	Repayment of loans obtained to clear other debts
788	Repairs to personal goods, excluding medical repairs and other repairs
789	Interest on Credit Card (used with suffix L only)
790	Cleaning and dyeing
791	Laundrette and hire of washing machine, laundry
793	Hairdressing, manicure, beauty treatment
796	Subscriptions to Trade Union, Professional Associations, etc
797	Other subscriptions
798	Charitable gifts
799	Miscellaneous expenditure on services not assignable to any other code
<u>MISCELLANEOUS</u>	
801	Children's pocket money, the expenditure of which cannot be assigned to a particular code
802	Cash gifts (not donations) and tips not allocated elsewhere
803	Savings

* Durable Household Goods

** Housing

Code	Description
------	-------------

SERVICES (cont)

804	Expenses of moving house
805	Legal fees
806	Private Entertainment
807	Funeral expenses

BETTING

811	Stakes - football pools
812	Stakes - bookmaker, betting shop, tote
813	Stakes - lotteries
814	Stakes - other betting
821	Winnings - football pools
822	Winnings - bookmaker, betting shop, tote
823	Winnings - lotteries
824	Winnings - other betting

MEALS OUTa) Workplace meals

840	Fish and chips; other meals out; soft drinks; ice cream; sweets and chocolates; specified other foods
841	Sandwiches, rolls with filling, cakes, currant bread, fruit pies, pastries, scones, etc
842	Non-alcoholic drinks other than soft drinks and fruit juices

b) All other meals out eaten on premises

843	Fish and chips; other meals out
844	Sandwiches, cakes etc
845	Non-alcoholic drinks
846	Soft drinks excluding fruit juices; ice cream; sweets and chocolates; specified other foods

c) All other meals out eaten off premises (not at home)

847	Fish and chips
848	Meals out including salad
849	Sandwiches, cakes etc
850	Non-alcoholic drinks
851	Soft drinks excluding fruit juices
852	Ice cream
853	Sweets and chocolates
854	Specified other foods
855	Hot meals eg breakfast, lunch, dinner, supper, snack etc
856	Toasted sandwiches, hot rolls with filling, hot meat and sweet pies etc
857	Cold food eg cold sandwiches, cold rolls with filling, cold meat and sweet pies etc

13 DEC 1985 342

12/12/85 revision

FAMILY EXPENDITURE SURVEY 1986

SPECIFICATION OF RAW DATABASE CODES THAT ARE ALSO REQUIRED ON THE DE DERIVED DATABASE

The following Information Codes are required:-

A002	A141	A2187	A261	CASENO
A004	A142	A220	A267	PERSNO
A005	A143	A222	A272	TAXUNIT (= A008)
A006	A149	A223	A273	LACODE
A007	A150	A224	A274	YEAR
A009	A151	A226	A275	WEEK
A010	A152	A227	A278	TUPERSNO
A055	A153	A228	A279	LOANNO
A097	A154	A229	A284	LITEM
A099	A155	A230	A285	HPITEMNO (= HPAGRNO)
A100	A156	A231	A286	HPITEM
A101L	A158	A232		CRTRANNO
A101H	A159	A233		CRCODE
A102	A160	A234		CRTRANTY
A103	A162	A238		CRVALUE
A105	A163	A239		PDRCODE
A106	A164	A240		PDCODVAL
A108	A165	A2421		PAFREG
A111	A168	A2422		
A112	A171	A2423		
A113	A172	A2424		
A114	A173	A2425		
A117	A201	A2426		
A118	A203	A2427		
A119	A204	A246		
A121	A205	A249		
A124	A207	A250		
A127	A208	A254		
A128	A209	A255		
A130	A211	A256		
A131	A212	A257		
A132	A214	A258		
A133	A2181	A259		
A134	A2182	A2601		
A135	A2183	A2602		
A136	A2184	A2603		
A137	A2185	A2065		
A140	A2186	A2066		

The following Income/Expenditure Codes are required:-

B010	B211	B319	B386
B014 (= WKLY100)	B212	B320	B387
B017	B213	B321	B388
B020	B219	B322	B390
B027	B221 (= WKLY190)	B323 (= WKLY500B)	B392
B030	B222 (= WKLY200)	B324	B394
B040 (= WKLY040)	B223 (= WKLY191A)	B325 (= WKLY523)	B396
B047	B224 (= WKLY201A)	B326	B397
B050	B229	B327	B406
B060	B230 (= WKLY074)	B328	B407
B070	B231	B329	B408
B080	B232	B330	B417 (= WKLY494)
B110	B233	B333	B418 (= WKLY495A)
B130	B234	B334	B421 (= WKLY499)
B150	B235	B336 (= WKLY483)	LWKINST (= WKLY275)
B158	B239L	B337 (= WKLY485)	HPWKINST (= WKLY291)
B160	B239H	B338 (= WKLY488)	
B162	B241L	B339 (= WKLY490)	
B164	B241H	B340 (= WKLY492)	
B166 (= WKLY261A)	B242L	B341 (= WKLY539)	
B168	B242H	B346	
B170	B243PERL	B347	
B172	B243VALL	B348	
B173 (= WKLY188)	B243PERH	B349	
B174	B243VALH	B352	
B175	B244	B360	
B178 (= WKLY198)	B245	B361	
B179	B246	B362 (= WKLY527)	
B180	B247	B363 (= WKLY506)	
B181	B254	B365 (= WKLY536)	
B182	B255	B366 (= WKLY555)	
B183	B259	B367 (= WKLY547)	
B187	B260	B368 (= WKLY531)	
B188	B263	B369 (= WKLY511)	
B190 (= WKLY103)	B303 (= WKLY409)	B371	
B191	B304	B373	
B194	B305	B374	
B195	B306	B376	
B196	B307	B378	
B197	B309	B381	
B198	B310	B382 (= WKLY519)	
B199	B311	B383	
B200	B312	B384	
B206	B313	B385	
B207	B315 (= WKLY428)		
B208	B316		
	B318		

FAMILY EXPENDITURE SURVEY 1986

CODES FOR DELETED DIARY ITEMS

Note : Appendices B1 to B5 were formerly issued as
a single document called Appendix B (Second
Revision dated 9.7.85)

MJJ
Stats A6
21 October 1985
(Third Revision)

FAMILY EXPENDITURE SURVEY 1986

SPECIFICATION OF CODES FOR THE
DE DERIVED DATABASE

Appendices B1 to B5 contain the following:

1. APPENDIX B1 Specification of Product Codes
2. Annex 1 to Appendix B1 Listing codes used to construct the individual product codes
3. Annex 2 to Appendix B1 Listing codes in which individual product codes are themselves used
4. APPENDIX B2 Specification of Derived Codes
5. Annex 1 to Appendix B2 Coding Frames for derived codes
6. Annex 2 to Appendix B2 Sample Area Sheet example. Diagrams of the constituent codes of the product codes used by the derived codes
7. APPENDIX B3 Specification of 'Diary' Codes.
8. APPENDIX B4 Raw Database Codes required on the Derived Database.
9. APPENDIX B5 Codes for deleted diary items (9xx codes).

FAMILY EXPENDITURE SURVEY 1986

APPENDIX B5

900 SERIES CODES FOR ITEMS THAT APPEAR IN DIARY OR ON CREDIT CARD SHEETS THAT ALSO APPEAR ON THE A OR B SCHEDULE

New diary code	Description of item	Additional examples	Corresponding 'B' codes
901	Rent		010,020
903	Rates		030
904	Water rates		050
907	Service charges, Ground rent	Feu duty, Chief rent, Compulsory or maintenance charges Site rent for caravan (sampled address)	060
910	Mortgage payment	Interest, Interest and principal/ capital	130,200
913	Central heating oil		017
914	Gas account)	Exclude any rental of appliances or regular maintenance	170
915	Gas board) budgetting) payment)		
917	Electricity) account)	Include standing charges, meter rent and installation	175
918	Electricity board) budgetting) payment)		
920	Structure insurance	Include insurance on structure and contents where the two cannot be split	110
921	Contents insurance	Premium on furniture and contents, premium on personal possessions including furs, jewellery, TV. Exclude maintenance contracts	168

New diary code	Description of item	Additional examples	Corresponding 'B' codes
922	Mortgage protection policy		208,211
923	House endowment		198,199
924	Life insurance	Endowment (not house), personal pension, education insurance, fixed term assurance, death and burial. Include endowment not specified	196,197
925	Medical insurance	BUPA, PPP	229
926	Other insurance premium	Friendly Societies, animal insurance	206
930	Telephone account	Include telephone stamps	166
932	TV rental	Include TV set, TV game, home computer	195
933	Video recorder rental		254
935	TV licence	Include TV stamps	181
940	Vehicle insurance		188
941	Vehicle tax	Include vehicle tax stamps	187
942	Outright new car purchase	Include unspecified whether new or secondhand	244
943	Outright secondhand car purchase		245
944	Outright motorcycle purchase	Motorbike, motor scooter, moped	247
950	Season tickets, BR) only)		219
951	Season tickets,) combined bus/BR/) tube)	Exclude travel for children to state schools	255
954	Season tickets,) all others)		191

New diary code	Description of item	Additional examples	Corresponding 'B' codes
960	Loan instalment payment		-
963	HP instalment payment		-
966	Club instalment payment	Budget or option account at shop or store, Mail order payment, Check trader	-
969	Credit card payment	Access, Barclaycard, Diners Club, American Express, Trustcard	-
970	Bank service charges	Exclude interest	180
975	School meals)		260
977	School bus or train travel)	Only for <u>children attending state school</u>	158
980	Fees or maintenance for educational courses)		160
981	Fees or private tuition for leisure courses)	For people in the household	162
984	Fees or maintenance for educational and leisure courses for children aged 16 and over living outside the household		164
986	Money given to other spenders within the household		-
988	Money set aside for for payment of bills at a later stage		-

New diary code	Description of item	Additional examples	Corresponding 'B' codes
990	Regular national insurance contributions		336
991	Lump sum national insurance payments	Include NI not specified	386
992	Income tax payment		387
995	Payment for coal or coke provided by employer	Include haulage charges	321
996	Purchase of OAP concessionary bus tokens		163
997	Money sent abroad to private individual		334
998	Money sent abroad to charity		334
999	Any other A & B schedule payments		-

Date of interview: Day [] Month [] 8 6
 Starting date of records: Day [] Month [] 8 6

INTDAT(4) Q008
 STARTOAT(5) Q009

Household Schedule

SEND(1) Q001
 AREANUM(2A) Q003
 SERNUM(2B) Ref No Q004
 HHNUM(3) Q005
 CHECKOIG(1B) Q002
 LACODEA(5D) Q007
 Off Use 86
 Week LA

YEARA(5B) Q0010
 WEEKA(5C) Q006

Ring	Personal No	(1) Relationship to HOH	(2) Sex	(3) Age	(4) Marital Status	(5) Current Full Time Education										(6) Income Unit		(7) Off Use	(8) Off Use	(9) Do not ring if an exception	(10) D records received for both weeks
						Primary Nursery School Play School	State schools	Private and independent schools	Higher Education	Head of unit	Wife of head										
1		HOH 0	0	1	2	1	2	3	4	5	6	7	8	9	1	2	3	0	1	2	
2		WIFE 1	1	1	2	1	2	3	4	5	6	7	8	9	1	2	3	0	1	2	
3		CHILD 2	2	1	3	1	2	3	4	5	6	7	8	9	1	2	3	0	1	2	
4		PERSON-IN-LAW	3	1	2	1	2	3	4	5	6	7	8	9	1	2	3	0	1	2	
5		DAUGHTER-IN-LAW	3	1	2	1	2	3	4	5	6	7	8	9	1	2	3	0	1	2	
6		FATHER MOTHER	0	1	2	1	2	3	4	5	6	7	8	9	1	2	3	0	1	2	
7		FATHER-IN-LAW OR MOTHER-IN-LAW	0	1	2	1	2	3	4	5	6	7	8	9	1	2	3	0	1	2	
8		BROTHER SISTER	0	1	2	1	2	3	4	5	6	7	8	9	1	2	3	0	1	2	
9		GRANDSON DAUGHTER	0	1	2	1	2	3	4	5	6	7	8	9	1	2	3	0	1	2	
10		OTHER RELATIVE	0	1	2	1	2	3	4	5	6	7	8	9	1	2	3	0	1	2	
		OTHER NON-RELATIVE	0	1	2	1	2	3	4	5	6	7	8	9	1	2	3	0	1	2	

If household member aged 16 or over not ringed give reasons and dates if absent

To all households (Ask hoh or wife)

OTHHOLIV (17A) Q11

11 Do any households besides your own household live at (quote address)

Yes -----> [1] - Ask (a)
 No -----> [2] - Go to 12

(a) How many other households live at this address?

NOHHATAD (18) Q11A -----> [] - Go to 13

12 How many of the following rooms do you have in your accommodation (that is those rooms at this address which you own, rent or occupy rent free)?

Prompt all rooms and enter number in first column (a) of grid below

13 How many of the following rooms are

- (a) Occupied solely by your household?
- (b) Shared with other household(s)?
- (c) Let or sublet?

Prompt all rooms and enter number in columns (a)-(c) of grid below

Individual prompt

	(a)	(b)	(c)
	Q.12 or 13(a)	Q.13(b)	Q.13(c)
LINE NO.	USED SOLELY BY HOUSEHOLD	ROOMS SHARED	ROOMS LET OR SUBLET
Bedroom -----> 1	NOBED(19) Q13A1	NOSHBED (21)Q13B1	NOSLBED (39)Q13C1
Kitchen -----> 2	NOKIT(20) Q13A2	NOSHKIT(30) Q13B2.	NOSLKIT(40) Q13C2.
Scullery used for cooking -----> 3	NOSCU(21) Q13A3	NOSHSCUL (31)Q13B3	NOSLSCUL (41)Q13C3
Living room -----> 4	NOLIVR(21A) Q13A4	NOSHLIVR (32)Q13B4	NOSLLIVR (42)Q13C4
Rooms partly used for business -----> 5	NOPARB(22) Q13A5	NOSHPARB (33)Q13B5	NOSPARB (43)Q13C5
Rooms used only for business -----> 6	NOSOLB(23) Q13A6	NOSHOLB (34)Q13B6	NOSLSOLB (44)Q13C6
Bathroom -----> 7	NOBATH(24) Q13A7	NOSHBATH (35)Q13B7	NOSLBATH (45)Q13C7
Garage -----> 8	NOGAR(25) Q13A8	NOSHGAR (36)Q13B8	NOSLGAR (46)Q13C8
Other rooms (specify below) -----> 9	NOOTR(26) Q13A9	NOSHOTR (37)Q13B9	NOSLOTR (47)Q13C9

- Ask 14

To all households (Ask hoh or wife)

14 In addition to the rooms you have just told me about, are there any other rooms in this rateable unit (describe unit from 98)?

ROOMNOOC (60A)
Q14

Yes →	1	- Ask (a)
No →	2	- Go to 15

(a) How many other rooms? _____

NOROOMNO (371) Q14A	- Ask 15
------------------------	----------

To all households (Ask hoh only)

15 How many years have you lived at this address?

Years →	LTRESYRS (60B) Q15 1	- Ask 16
---------	-------------------------	----------

If less than one year, probe for no. of months, if known

Months (if less than one year)	LTRESMTH (60C) Q15 2	- Ask 16
--------------------------------	-------------------------	----------

To all households (Ask hoh or wife)

16 Do you rent or do you own this accommodation? E P

Include caravan, mobile home or houseboat

Rents → X - Ask (a)
Owns → Y - Go to (b)
Neither → Z - Go to (c)

(a) Do you rent your accommodation

Running prompt

from a Council or New Town Corporation
(Include: Scottish Special Housing Association, Northern Ireland Housing Executive)

from a housing association

from someone else unfurnished

or furnished?

1
2
3
4
5
6
7
8

INAI21(61)Q16

Go to (d)

Go to 24

Probe to make certain not codes 1-6 then ask (d)

(b) Do you own your accommodation

Running prompt

with a mortgage or loan

or outright?

Caravans, mobile homes and houseboats being purchased to be coded 6

(c) Do you receive your accommodation rent free? Yes No

(d) Does anyone outside your household pay rent on this accommodation on your behalf? (Exclude local authority or D.H.S.S. rent rebate/rent allowance/housing benefit - see 17-27)

Yes

No

REPAYOH
(62) 2 Q160

Ask (I)-(III)
Go to (e)

(I) How much rent did they pay last time?

RENTPAY
(63) Q16 0 1

(II) How long a period did this cover?

Enter Period code

PERCO63(64)
Q16 0 2

If code 9, specify period then ask (III)

(III) Does your employer pay this rent on your behalf?

Specify arrangement and rent paid

Yes

No

WPRENT
(65) Q16 0 3

Ask (e)
Specify arrangement on left then ask (e)

To renters coded X at 16 or rent free coded 7 at 16(c)

(e) Is your tenancy dependent on your job?

Yes

No

INA110
(66) 2 Q16E

See 17

PERIOD CODES:-					
Week	- 1	Four weeks	- 4	Six months	- 7
Two weeks	- 2	Cal. month	- 5	Year	- 8
Three weeks	- 3	Three months	- 6	Other period	- 9

To all with rented accommodation (Ask hoh or wife) DNA Rent free →

L	P
N	

 - Go to 24

17 Are you receiving a 100% housing benefit (rebate or allowance) for your rent from your local authority or your local Dept of Health and Social Security office?
 Yes →

RR1	POPC
(67)	2 Q17

 See (a) or (b)
 No → - Go to 18

(a) For all local authority tenants with 100% housing benefit obtain (I)-(III) below from the local authority office

DNA Non-council tenants →

L	P
N	

 - Go to (b)

(I) Rent payable -

Include rates, water rates, heating etc if included in rent payable

(II) How long a period does this cover?

Enter Period code →

PERC067A	Q17A1
(67B)	Q17A1

If code 9, specify period

(III) Rent includes

Individual prompt

Rates?

Yes →

RR10	10R
(67K)	2 Q17A2

 No →

Specify amount

W Rates & S Rates?

Yes →

RR10DR	1AT
(67C)	Q17A3

 No →

RR10DW	2A4
(67D)	Q17A4

Specify amount

Heating?

Yes →

RR10DH	1EA
(67E)	Q17A7

 No →

RR10OH	2A6
(67M)	Q17A6

Specify amount

Other (specify)?

Yes →

RR10OT	1EA
(67N)	Q17A7

 No →

RR10OT	2A8
(67N)	Q17A8

Specify on left and enter amount below

RR100TH	1EA
(67F)	Q17A9

Go to 23

(b) To all non-local authority tenants with 100% housing benefit, ask (I) and (II) below

(I) How much rent does your local authority or DHSS pay on your behalf?

Include rates, water rates, heating etc if included in rent payable

INA168 (67I)
Q17B2 DK →

RR100	PA
(67H)	Q17B1

- Go to (II)

1

- Go to 23

(II) How long a period does this cover?

Enter Period code →

PERC067H	Q17B3
(67J)	Q17B3

If code 9, specify period

Go to 23

PERIOD CODES -					
Week	- 1	Four weeks	- 4	Six months	- 7
Two weeks	- 2	Cal month	- 5	Year	- 8
Three weeks	- 3	Three months	- 6	Other period	- 9

To all with rented accommodation who pay all or part of their rent (code 2 at 17) (Ask hoh or wife)

18 How much rent did you actually pay last time (including any rooms you sublet)?

Include rent paid for caravan, mobile home and houseboat

RENT Q18	(70)
-------------	------

19 How long a period did this cover?

Enter Period code

PERCOT0 (11) Q19	
---------------------	--

If code 9, specify period

20 Do you have a rent holiday?

Yes
No

RENTHDAY (11A) 2 Q20	
-------------------------	--

- Ask (a)
- Go to 21

(a) For how many weeks of the year?

RENTHOL (12) Q20A	
----------------------	--

21 Did you receive housing benefit/rent rebate/rent allowance from your local authority or your local Dept. of Health and Social Security office in connection with your last rent payment?

Yes
No

RENTREB (13) 2 Q21	
-----------------------	--

- Ask (a)
- Go to 22

(a) How much was the housing benefit/rent rebate/rent allowance?

[Exclude rates rebate - see 25]

RRAMTDK (14A)

Q21A2. DK

RRAMT (14) Q21A1	
------------------------	--

- Ask (b)

1	
---	--

- Go to (c)

(b) How long a period did this cover?

Enter Period code

PERCOT4 (15) Q21B	
-------------------------	--

If code 9, specify period

(c) Was the housing benefit/rent rebate/rent allowance

deducted from the last rent payment?

or returned direct to you in a lump sum, that is by cash, cheque or giro?

RRRETMET (16) Q21C	
-----------------------	--

- Ask (f)

- Go to 22

(f) Is the amount for rent you mentioned earlier before or after deduction of the housing benefit/rent rebate/rent allowance?

Before
After

RENTBAR (17) 2 Q21C1	
-------------------------	--

- Ask 22

22 Does the rent you mentioned include any services such as:

- | | | | |
|------------------|------------------------|-------|---------------------------|
| Running lighting | cleaning | Yes → | RENTINSV
(17A) 2 Q22 1 |
| Prompt heating | lift | | |
| hot water | gardener | | |
| T.V. licence | or any other services? | | |

No →

Specify below and enter amounts

- Go to 23

Exclude gas/electricity budget/credit schemes which would appear at 53

Type of service

SERVINC1 (17A) Q22 2	
-------------------------	--

SERVINC2 (180) Q22 3	
-------------------------	--

SERVINC3 (18C) Q22 4	
-------------------------	--

Ask 23

PERIOD CODES:-

Week	- 1	Four weeks	- 4	Six months	- 7
Two weeks	- 2	Cal. month	- 5	Year	- 8
Three weeks	- 3	Three months	- 6	Other period	- 9

To all with rented accommodation (coded X at 18) (Ask hoh or wife)

23 Does the rent include rates?

Yes _____
No _____

INA 1173 (79) 2 Q23

- Go to 25
- Ask 24

To all households except those coded 1 at 23 (Ask hoh or wife)

24 Do you pay rates on this accommodation?

Yes _____
No _____

RATES (80) Q24 2

- Ask (a) and (b)
- Go to 25

(a) How many times a year do you pay rates?

No of times _____

RATESPER (82) Q24A

(b) How much did you actually pay last time in rates?

RATESPAY (81) Q24B

- Ask 25

To all households (Ask hoh or wife)

25 Did you receive any housing benefit/ rates rebate from your local authority or your local Department of Health and Social Security office in connection with your last rates/rent payment?

Yes _____
No _____

INA 1140 (90) 2 Q25

- Ask (a)
- Go to 26

(a) Was the housing benefit/rates rebate deducted from your last rates/rent payment?

Yes _____
No _____

DEDRFLP (91) 2 Q25A1

- Ask (i)-(iii)
- Go to 26

(i) How much was deducted?

RRDED AMT (92) Q25A2

RRDOAMDK(92A) →
Q25A3 DK →

1

- Go to (ii)

(ii) What period did this housing benefit/ rebate cover?

Enter Period code _____

PERC92 (93) Q25A4

If code 9, specify period.

RRDOPEDK(93A) →
DK Q25A5 →

1

- Ask (iii)

(iii) Was the amount you paid last time in rates/rent, that is (See 18, 24) before or after deduction of the rebate/ housing benefit?

Before _____
After _____

RATESBAR (94) 2 Q25A6

Code at left and ask 26

Specify documents

Interviewer to code whether documents	Seen by interviewer	1
	Consulted by informant	2
	Not consulted	3

PERIOD CODES -

Week	- 1	Four weeks	- 4	Six months	- 7
Two weeks	- 2	Cal month	- 5	Year	- 8
Three weeks	- 3	Three months	- 6	Other period	- 9

To all households (Ask hoh or wife)
(Check that 25 has been asked)

26 In the last 12 months, that is since
have you had any housing benefit (rates
rebate) refunded direct to you, that is a
lump sum in cash, cheque or Giro?

Yes _____ No _____

E	P
RATESLSR (95) 2 Q26	

- Ask (a)
- See 27

(a) How much was the amount refunded?

RALSRA	AMT
(96) Q2	6A1

- Ask (b)

RLSRAMOK(96A) →
Q26A2 DK →

1

- See 27

(b) What period did the housing
benefit/rebate cover?

Enter Period code →

PERC96 (97) Q26 B1

If code 9, specify period

RLSRPEDK(97A) →
Q26B2 DK →

1

- Ask (c)

(c) In which month and year did you
receive it?

Enter month
and year as
two digit code

Month

1NA	127
-----	-----

Year. 19

(98) Q26c

- Ask (d)

(d) Have you received more than
one lump sum rebate in the
last 12 months?

Yes _____ No _____

MTORREB (99) 2 Q26D1

- Ask (a)-(c) and
record answers in
left hand margin
- See 27

LASLSRAR(100)
Q2602 →

PERC100(101) Q2603 →

OFF. USE	

To all with housing benefit (coded 1 at 17
or 1 at 21) and/or rate rebate (coded 1 at 25
or 1 at 26) (Ask hoh or wife)

DNA Others →

N

- Go to 28

27 Did the rebate/allowance include
Housing Benefit Supplement?

Yes _____ No _____ DK _____

1NA 1 155 (102) 2 Q27 3

- Ask (a) & (b)
- Go to 28

(a) How much Housing Benefit
Supplement was included?

HBSAMT (103) Q27 A1

- Ask (b)

DK HBSAMTOK
(103A) Q27 A2 →

1

- Go to 28

(b) What period did this cover?

Enter Period code →

PERC103 (104) Q27 B

If code 9, specify period

Interviewer to code whether documents:	Housing benefit supplement.	Specify documents
	Seen by interviewer	1
	Consulted by informant	2
	Not consulted	3

Code at left end
ask 28

PERIOD CODES:-					
Week	- 1	Four weeks	- 4	Six months	- 7
Two weeks	- 2	Cal. month	- 5	Year	- 8
Three weeks	- 3	Three months	- 6	Other period	- 9

To all households (Ask hoh or wife)

28 Is your accommodation connected to the mains sewerage?

Yes → **MAINSEW (83) 2 Q28** → Ask 29
 No →

29 Do you pay separate water and/or sewerage rates?

Yes → **WAOSRATE (84) 2 Q29** → Ask (a) and (b)
 No → Go to 30

(a) How many times a year do you pay water and/or sewerage rates?

No of times → **WRATEPER (86) Q29A**

(b) How much did you actually pay last time in water and/or sewerage rates?

WRATEPAY (85) Q 29B

30 In connection with this accommodation do you pay any of the following

- Running prompt
- ground rent
 - feu duty (Scotland)
 - chief rent
 - service charge
 - compulsory or regular maintenance charges
 - site rent (caravans)
 - any other regular payments?

Yes to any → **OTH PAY (104A) 2 Q30 1** → Specify below and enter amounts
 No to all → See 31

Type of charge and amount	What period did this cover?	Code period	OTH PY Am 1 (104D) Q 30 2	
			PERC104D (104G) Q30 3	If code 9, specify period
Type of charge and amount	What period did this cover?	Code period	OTH PY Am 2 (104E) Q30 4	
			PERC104E (104H) Q30 5	If code 9, specify period
Type of charge and amount	What period did this cover?	Code period	OTH PY Am 3 (104F) Q 30 6	
			PERC104F (104I) Q30 7	If code 9, specify period

See 31

PERIOD CODES -

Week	- 1	Four weeks	- 4	Six months	- 7
Two weeks	- 2	Cal month	- 5	Year	- 8
Three weeks	- 3	Three months	- 6	Other period	- 9

To all who own with mortgage or loan (Ask hoh or wife)
(coded 5 at 16(b))

Exclude second mortgages not for the purchase
of this accommodation (see 69)

DNA Coded 1-4 at 16(a), 6 at 16(b), or 7 & 8 at 16(c) →

E	N	P

 - Go to 43

31 Did you get the mortgage or loan to purchase your accommodation from a Building Society → 0 1
Local Authority → 3 2
Bank → 1 3
Insurance company → 4 4
Other source? → 5 5

Running prompt

Specify

- Specify on left

32 Did the last mortgage or loan payment you made cover Prompt interest only? → MORTTYPE
Interest and capital/principal? → (118) 2 Q32

If more than one mortgage for purchase of accommodation, record details of other mortgages in left-hand margin

- Ask 33-35
- Go to 36

To those where last payment covered interest only (coded 1 at 32) (Ask hoh or wife)

33 How much did you pay last time as interest on the mortgage or loan? → MORIN PAY (119) Q 33

34 How long a period did this cover? Enter Period code → PERC119 (120) Q 34

If code 9, specify period

35 Is there an endowment policy covering the repayment of the capital/principal of the mortgage or loan? Yes → MEN POL (121) 2 Q35
No →

Specify

- Ask (a)-(d)
- Specify on left how principal covered and go to 41

(a) How much was your last insurance premium on the endowment policy covering the capital/principal? → MENPO LAM (122) Q 35A

(b) How long a period did this cover? Enter Period code → PERC122 (123) Q35B1

If code 9, specify period

(c) Has this insurance premium been included in the amount of interest you mentioned earlier (see 33)? Yes → MENPTOUT (123A) 2 Q35B2
No →

(d) Was the insurance taken out before April 1984? → INCININT (124) Q35C
April 1984 or later? →

- Go to 41

PERIOD CODES:-					
Week	- 1	Four weeks	- 4	Six months	- 7
Two weeks	- 2	Cal. month	- 5	Year	- 8
Three weeks	- 3	Three months	- 6	Other period	- 9

To those where last payment covered interest and capital/principal (coded 2 at 32)

(Ask hoh or wife)

36 How much was your last instalment on the mortgage or loan?

INTPR PAY
(125) Q 36

- Ask 37

37 How long a period did this cover?

Enter Period code

PERC125
(126) Q 37

If code 9, specify period

38 How much interest did you pay over the 12 months for which you have figures?

INTL12M
(127) Q 38 1

- Ask (a)

INL12MOK
(127A) Q 38 2 DK →

1

- Go to 39

(a) What dates does this cover?

Enter month and year as two digit code

Beginning

Month

INA 158

Year 19

(128) Q 38 A1

Ending

Month

INA 159

Year 19

(129) Q 38 A2

- Ask 39

39 For how many years have you had the mortgage/loan you have just told me about?

INA133
(129A) Q 39 1

- Ask 40

MLTRUNDK(129B)
Q 39 2. DK →

1

- Ask 40

40 How many years does the mortgage/loan still have to run?

INA134
(129C) Q 40 1

- Ask 41

MLTORNDK(129D)
Q 40 2. DK →

1

- Ask 41

Code at left and ask 41

	Mortgage payments	Specify documents
Interviewer to code whether documents	Seen by interviewer	1
	Consulted by informant	2
	Not consulted	3

PERIOD CODES -					
Week	- 1	Four weeks	- 4	Six months	- 7
Two weeks	- 2	Cal month	- 5	Year	- 8
Three weeks	- 3	Three months	- 6	Other period	- 9

To all who own with mortgage or loan (Ask hoh or wife)

41 Has standard tax relief on the mortgage already been deducted from the payment you just mentioned?

Yes
No
DK

E	P
INA 1 163	
(130) ² Q41	
	3

Ask 42

42 Did your last payment on the mortgage/loan which you mentioned earlier, that is (see 33 or 36) include other amounts such as insurance on the structure of your accommodation or a mortgage protection policy?

Yes
No

MOTHAMIN	
(130A) ₂ Q42	

- Ask (a)
- Code at foot of page and go to 43

(a) How much of your last payment was for:

Individual prompt

Insurance of structure?

Period covered?

Enter period code

INCSTAMT	
(132) Q 42A1	

- Ask period covered

PERC132	
(133) Q42A2	

If code 9, specify period

Mortgage protection policy?

Period covered?

Enter period code

INCM P	AMT
(135) Q	42A3

- Ask period covered

PERC135	
(136) Q42A4	

If code 9, specify period

Now ask when policy taken out

Policy taken out

before April 1984?

April 1984 or after?

INCM DAT	
(137) Q42A5	

Ask 43

PERIOD CODES:-					
Week	- 1	Four weeks	- 4	Six months	- 7
Two weeks	- 2	Cal. month	- 5	Year	- 8
Three weeks	- 3	Three months	- 6	Other period	- 9

To all households (Ask hoh or wife)

43 Do you pay any (other) insurance premium on the structure of this accommodation?

Yes
No

STR₁INS
(140)₂Q43

- Ask (a)-(c)
- Go to 44

(a) How much was the last premium?

STRIN AMT
(141)Q 43A

(b) How long a period did this cover?

Enter Period code

PERC141
(142)Q43 B

If code 9, specify period

(c) Does this premium also cover contents insurance?

Yes
No

SAMTINCC
(142A)Q43 C

- Ask (i)-(ii)
- Go to 44

If premium covers structure and contents, and items cannot be separated, ask

(i) Insured value of house

ACCOM VAL
(146)Q 43C1

(ii) Insured value of contents

CONTV AL
(147)Q 43C2

- Ask 44

To all households (Ask all spenders)

44 Do (any of) you pay any (other) insurance premiums on the furniture and contents of this accommodation?

Yes
No

CONT PREM
(148)₂ Q44

- Ask (a) and (b)
- Go to 45

(a) How much was the last premium on the furniture and contents?

CONPR AMT
(149)Q 44A

(b) How long a period did this cover?

Enter Period code

PERC149
(150)Q44 B

If code 9, specify period

45 Do (any of) you pay an (additional) insurance premium on any kind of personal possessions?

Yes
No

INPE₁RP
(151)₂ Q45

- Ask (a) and (b)
- Go to 46

Include

- Jewellery, furs
- cameras, boats
- caravans (if not sampled address)
- TV (excluding maintenance contracts)

Exclude

- cars
- maintenance contracts

(a) How much was the last premium?

PERPAA Y
(152)Q 45A

(b) How long a period did this cover?

Enter Period code

PERC152
(153)Q45 B

If code 9, specify period

Ask 46

PERIOD CODES -

Week	- 1	Four weeks	- 4	Six months	- 7
Two weeks	- 2	Cal month	- 5	Year	8
Three weeks	- 3	Three months	- 6	Other period	- 9

To all households

Ask all spenders

46 Do (any of) you pay premiums on any life, death or endowment policies?

Include:
Personal pension, annuities, education, house purchase endowment, mortgage protection, fixed term assurance, death and burial

Exclude:
National Insurance

RECORD 25

Yes _____
No _____

LIFE 1 INS
(154) 2 Q46

Record details in grid below
Go to 47

RECORD 71

LINSPNO (154A) Q46 2.

Per No paying	Item No	Purpose of policy eg House purchase endowment mortgage protection	OFF. USE.	When taken out before		Enter period code	If code 9, specify period	Amount paid	
				April '84	April '84 or later			£	p
	1	MORTGAGE PROTECTION - 1 POLICY		1	2				
	2	HOUSING ENDOWMENT POLICY - 2		1	2				
	3		4	1	2				
	4	ENDOWMENT POLICY - 3		1	2				
	5	LIFE OR DEATH POLICY - 4		1	2				
	6	OTHER POLICIES - 5		1	2				
	7			1	2				
	8			1	2				

Ask 47

47 Do (any of) you regularly pay premiums on other policies such as personal accident or private medical insurance?

Include:
Friendly Societies sickness insurance, sick clubs, Private medical insurance schemes such as BUPA, PPP etc, Animal insurance

Exclude:
Car, motor cycle, house contents or personal possessions insurance, holiday insurance, works sick clubs

RECORD 25

Yes _____
No _____

MEDINETC
(164) 2 Q47 1

Record details in grid below
Go to 48

RECORD 72

Per No paying	Item No	Purpose of policy	Insurance company	OFF. USE.	Enter period code	If code 9, specify period	Amount paid	
							£	p
	1	PERSONAL ACCIDENT - 1						
	2	PRIVATE MEDICAL - 2						
	3	FRIENDLY SOCIETY - 3						
	4	SICK CLUB - 4						
	5	OTHER POLICIES - 5						

Ask 48

PERIOD CODES:-

Week	- 1	Four weeks	- 4	Six months	- 7
Two weeks	- 2	Cal. month	- 5	Year	- 8
Three weeks	- 3	Three months	- 6	Other period	- 9

+

To all households

Ask all spenders

48 In your (part of this) accommodation do (any of) you have a TV set video recorder home computer or TV game?

RECORD 25

Yes _____
No to all _____

TVVIDEO
(11A)₂Q481

- Ask (a)
- Go to 49

RECORD 73

Use separate column for each item and person

TVPERNO	(171B)	Q48 2	
---------	--------	-------	--

Per No

TV 1 ITEM NO	(11C)	Q48 3	4
--------------	-------	-------	---

Item No

(a) Do you have a

television set?
video recorder?
home computer?
TV game?

Use separate column for each item and person

1	1	1	1
TV 2 TYPE	(11 2 D)	Q48 2 A	2
3	3	3	3
4	4	4	4

- Ask (b)

(b) Do you rent it?

Yes →
No →

TVR RENTED	(11E) ₁ Q48B	1	1
2		2	2

- Ask (i)-(ii)
- Go to 49

(i) Do you pay the rent by

regular payments to a rental company?
slot meter?
other (Specify)?

Specify 1)
2)
3)
4)

1	1	1	1
TV H2D W PAY	(11F) ₂ Q48C	2	2
3	3	3	3

- Ask (ii)-(iii)
- Go to (c)
Specify on left and ask (ii)-(iii)

£ P £ P £ P £ P

(ii) How much did you pay last time

TV PAY AMT	(11G)Q48D		
------------	-----------	--	--

- Ask (iii)

(iii) How long a period did this cover?

Enter period code

PERC 11 G	(171H)	Q48 E	
-----------	--------	-------	--

If code 9, specify period
- Go to 49

Slot meter (coded 2 at (b(i)))

(c) Did you get a rebate when the meter was last cleared?

Yes →
No →

TVS ₁ MR	(11 I) ₂	Q48 ₂ F	1
			2

- Ask (i)-(ii)
- Go to 49

(i) How much was the rebate before any deductions for hire purchase or credit purchase?

TVSMR AMT	(11 J)	Q48 G	
-----------	--------	-------	--

- Ask (ii)

(ii) How long a period did this cover?

Enter period code

PERC 11 J	(171K)Q48	H	
-----------	-----------	---	--

If code 9, specify period
- Ask 49

PERIOD CODES -			
Week	- 1	Four weeks	- 4
Two weeks	- 2	Cal month	5
Three weeks	3	Three months	- 6
		Six months	- 7
		Year	8
		Other period	- 9

To all households (Ask hoh or wife)

49 Is there a telephone installed in your (part of this) accomodation?

Exclude disconnected telephones.

Yes	→	INA 1102	- Ask (a)-(c)
No	→	(258) Q 49	- Go to 50

(a) How much was the last account/ advice you paid to British Telecom including any installation charge you may have paid?

If no account submitted or if account is less than minimum quarterly rental charge, specify why below

.....
.....

TELEB ILL
(259) Q 49A

(b) How long a period did this cover?

Enter Period code	→	PERC259	If code 9, specify period
		(260) Q 49B	

(c) Did anyone outside the household share the cost of the account?

Yes	→	TELDISCON	- Ask (i)-(iii)
No	→	(261) Q 49C	- Go to 50

(i) What was your share of the account?

TELSH AMT
(261A) Q 49C

(ii) How long a period did this cover?

Enter Period code	→	PERC261A	If code 9, specify period
		(261) Q 49C2	

(iii) Was the other part paid by a business or organisation?

Yes	→	TELSH BUS	- Ask 50
No	→	(261c) Q 49C3	

To all spenders

Ask all spenders

50 In the last 12 months, that is since, have (any of) you bought a T.V. licence?

Yes	→	TVL 1 IC	- Ask (a)
No	→	(265) Q 50	- Go to 51

(a) How much have you paid for your T.V. licence(s) in the last 12 months?

TVLIC FEE
(266) Q 50A

PERIOD CODES:-					
Week	- 1	Four weeks	- 4	Six months	- 7
Two weeks	- 2	Cal. month	- 5	Year	- 8
Three weeks	- 3	Three months	- 6	Other period	- 9

To all households (Ask hoh or wife)

51 In this accommodation do you have

Include items owned, rented, supplied by employer or available for continuous use

Individual prompt

a washing machine?

Yes →
No →

INA 1108
(180A) Q51 1

a fridge-freezer (that is a deep freeze with its own door combined with a refrigerator also with its own door)?

Yes →
No →

INA 1164
(180B) Q51 2

a separate refrigerator?

Yes →
No →

INA 1165
(180C) Q51 3

a separate deep freeze?

Yes →
No →

INA 1166
(180D) Q51 4

- Ask 52

52 In this accommodation do you have full or partial central heating by

Individual prompt

electricity? Include storage heaters

Yes →
No →

INA 1150
(181A) Q52 1

gas?

Yes →
No →

INA 1151
(181B) Q52 2

- See (a)

solid fuel?

Yes →
No →

INA 1153
(181C) Q52 3

oil?

Yes →
No →

INA 1152
(181D) Q52 4

- Ask (a)

Yes but DK fuel? INA 1154 (181E) Q52 5

1

To all with oil central heating

DNA (Others) →

N

- Go to 53

(a) Have you purchased any oil for the central heating in the last 12 months?

Yes →
No →

OILPURCH (182) Q52A1

- Ask (l)

- Go to 53

(l) What was the total expenditure on oil in the last 12 months?

OILEXP (183) Q52A 2

OILEXPDK (183) Q52 A 3

1

- Ask 53

To all households (Ask hoh or wife)

53 Do you have gas, electricity or both supplied to your (part of this) accommodation?

Gas only	→	1	INA103 (184A)	- Ask (a) - Go to (b) - Ask (a) for gas and then (b) for electricity - Go to 61
Electricity only	→	2		
Both	→	3		
Neither	→	4		

(a) Do you pay for your gas by

Running Prompt

Slot meter*	→	1	INA128 (186)	- Go to 54 - Go to 55 - Go to 56 - Specify on left and go to 55
Account	→	2		
Board Budgeting Scheme	→	3		
Or by some other method?	→	4		

Specify.....

*Include meter owned by landlord, but exclude meter with own key

(b) Do you pay for your electricity by

Running Prompt

Slot meter*	→	1	INA130(196)	- Go to 54 - Go to 55 - Go to 56 - Specify on left and go to 55
Account	→	2		
Board Budgeting Scheme	→	3		
Or by some other method?	→	4		
(N. Ireland only) C.O.C.D.	→	5		- Go to 55

Specify.....

*Include meter owned by landlord, but exclude meter with own key

To those paying by slot meter (coded 1 at 53(a) or 53(b))

54 In the last 12 months, that is, since have you received a rebate for gas/electricity?

Gas.	Yes	→	GASSM(187) Q54 2 1	- Ask (a) & (b) for gas
	No	→		

Elec.	Yes	→	ELEC SM(191) Q54 2 2	- Ask (a) & (b) for electricity - Go to 61
	No	→		

(a) How much was the last rebate before any deductions for hire purchase or credit purchase?

Gas	→	GASSM REB OFF Q54 A1
Electricity	→	ELEC M REB (18) Q54 A2

(b) How long a period did this cover?

Gas.	Enter period code	→	PERC188 (189) Q54 B1	If code 9, specify period
Elec.	Enter period code	→	PERC198 (189) Q54 B2	If code 9, specify period

Check to see if 55-60 apply. If not, go to 61.

PERIOD CODES:-					
Week	- 1	Four weeks	- 4	Six months	- 7
Two weeks	- 2	Cal. month	- 5	Year	- 8
Three weeks	- 3	Three months	- 6	Other period	- 9

To those paying by account or some other method (coded 2 or 4 at 53(a) or (b))
(Ask hoh or wife)

55 How much did you pay for gas/electricity in your last account?

Include units consumed, standing charge, meter rent and installation

Exclude rent of appliances hire purchase, loans and regular maintenance charges

Gas

Electricity

GASA	CC
(92)Q5	51
ELECA	CC
(202)Q5	52

Go to 59

To those paying by board budgeting scheme (coded 3 at 53(a) or (b)) (Ask hoh or wife)

56 How much was your last payment under this scheme?

Gas

Electricity

GASBBS	S
(90)Q5	61
ELEC BBS	S
(200)Q5	62

Ask 57

57 How long a period did this cover?

Gas

Enter period code

Elec

Enter period code

PERC190	
(91)Q5	71

If code 9, specify period

PERC200	
(201)Q5	72

If code 9, specify period

- Ask 58

58 How much was the charge for gas/electricity in your last account/advice?

Include units consumed, standing charge, meter rent and installation

Exclude rent of appliances hire purchase, loans and regular maintenance charges

Gas

Electricity

GASCH	AR
(91A)Q5	81
ELECH	AR
(201A)Q5	82

Ask 59

To all paying by account or some other method (coded 2 or 4 at 53(a) or (b))
To all paying by board budgeting scheme (coded 3 at 53(a) or (b))

59 How long a period did this cover?

Gas

Enter period code

Elec

Enter period code

PERC192	
(93)Q5	91

If code 9, specify period

PERC202	
(203)Q5	92

If code 9, specify period

60 What was the date of your last account/advice (as shown on the account/advice)?

Enter month and year as two digit code

Gas

Month

Year 19

Elec

Month

Year 19

INA	138
(94)	Q601

INA	139
(204)	Q603

Code below then ask 61

A1380k(94)Q602

A1390k(204)Q604

	Gas	Specify documents	Electricity	Specify documents
Interviewer to code whether documents	Seen by interviewer	1	Seen by interviewer	1
	Consulted by informant	2	Consulted by informant	2
	Not consulted	3	Not consulted	3

To all households

Ask all spenders

Use separate column for each vehicle and person

Use separate column for each vehicle and person

Per No	C PERSON 0 (206)	Q 61 1		
--------	------------------	--------	--	--

Item No	CIT 1 EM NO 2 (206A)	Q 3 61 2		4
---------	----------------------	----------	--	---

61 Do (any of) you at present own or have the continuous use of a:

- Car
- Van
- Motor cycle
- Moped
- Other motor vehicle specify?
- None of these

VEH TYPE	1	1	1	1
	2	2	2	2
	3	3	3	3
	4	4	4	4
	5	5	5	5
	6	6	6	6

Ask (a)-(f)

- Go to 63

Running prompt

Per. No. Specify

(a) How much have you paid in vehicle licence(s) (Road Fund Tax) during the last 12 months for the (type of vehicle)?

CARTAX (208)	Q 61 A 1			
--------------	----------	--	--	--

If nil, code below and go to (d)

Nil	CARTAX NL 9 (208A)	Q 61 A 2		9
-----	--------------------	----------	--	---

(b) How long a period(s) did the amount(s) cover (eg year, six months)?

Enter period code	PERC 208 (209)	Q 61 B		
-------------------	----------------	--------	--	--

If code 9, specify period

(c) When was the vehicle licence last renewed by you?

Month	CARTX DAT (210)	Q 61 C		
Year. 19				

Enter month and year as two digit code

(d) How much have you paid in vehicle insurance during the last 12 months for the (type of vehicle)?

CAR INS (211)	Q 61 D 1			
---------------	----------	--	--	--

If nil, code below and go to (f)

Nil	CAR INS NL 9 (211A)	Q 61 D 2		9
-----	---------------------	----------	--	---

(e) How long a period(s) did the amount(s) cover (eg year, 3 months, calendar month)?

Enter period code	PERC 211 (212)	Q 61 E		
-------------------	----------------	--------	--	--

If code 9, specify period

(f) Did you own the (type of vehicle) or did you have continuous use of it?

- Own
- Continuous use

CONTUSE (213)	Q 61 F	1	1
		2	2

- See 62
- See (g)

To all who have continuous use of car

DNA. Others (owned cars: all vans, motorcycles, mopeds etc.)

N	N	N	N
---	---	---	---

- See 62

(g) Is the car provided* for your continuous use by

*Exclude cars purchased wholly or partly from employer

Running Prompt

- your employer
- spouses employer
- other specify?

CAR PROV (214)	Q 61 G	1	1
		2	2
		3	3

Ask 62

To all with cars

DNA. Others (vans, motorcycles, mopeds etc.)

N	N	N	N
---	---	---	---

- Go to 63

62 Does an employer provide* you with any petrol for private motoring** in this car?

*Provide = pay for, supply free or refund expenditure

**Include in private motoring travel to and from normal place of work

- Yes
- No

PETROL (215)	Q 62 1	1	1
		2	2

- Ask (i)
- Go to 63

(i) Does the employer provide some or all of the petrol expenditure for your private motoring?

- Some
- All

PET RPR OV (215A)	Q 62 2	1	1
		2	2

Ask 63

To all households

Ask all spenders

63 (Apart from the vehicles already mentioned) at any time during the last 12 months that is since have (any of) you owned or had the continuous use of a

Use separate column for each vehicle and person

OCITEMNO (217A) Q 63 2

Per No. →

Item No. →

Use separate column for each vehicle and person			
OC PERS	NO (217)	Q 63 1	
1	2	3	4
1	1	1	1
2	2	2	2
3	3	3	3
4	4	4	4
5	5	5	5
6	6	6	6

Running prompt

- Car →
- Van →
- Motor cycle →
- Moped →
- Other motor vehicle specify? →
- None of these →

Per No Specify

OCARTYPE (218) Q 63 3

Ask (a)-(f)

- See 64

(a) How much have you paid in vehicle licence(s) (Road Fund Tax) during the last 12 months for the

OCARTAX (219) Q 63 A 1

£	p	£	p	£	p	£	p
→							

If nil, code below and go to (d)

OCARTXNL (219A) Q 63 A 2

Nil →

9	9	9	9
---	---	---	---

(b) How long a period(s) did the amount(s) cover (eg year, six months)?

Enter period code →

PERC 219 (220)	Q 63 B.		

If code 9, specify period

(c) When was the vehicle licence last renewed by you?

OCTAXDAT (221) Q 63 C

Month →

→							

Enter month and year as two digit code

Year 19

(d) How much have you paid in vehicle insurance during the last 12 months for the

OCARINS (222) Q 63 D 1

→							
---	--	--	--	--	--	--	--

If nil, code below and go to (f)

OCARINNL (222A) Q 63 D 2

Nil →

9	9	9	9
---	---	---	---

(e) How long a period(s) did the amount(s) cover (eg year 3 months calendar month)?

Enter period code →

PERC 222 (223)	Q 63 E.		

If code 9, specify period

(f) Did you own the or did you have continuous use of it?

OCCONT (224) Q 63 F

- Own →
- Continuous use →

1	1	1	1
2	2	2	2

See 64

PERIOD CODES -			
Week	- 1	Four weeks	- 4
Two weeks	- 2	Cal month	- 5
Three weeks	- 3	Three months	- 6
		Six months	- 7
		Year	- 8
		Other period	- 9

To all spenders who own or have owned a vehicle during the last 12 months (coded 1 at 61(f) or 63(f))

DNA

N

- Go to 66

Use separate column for each vehicle and person

Use separate column for each vehicle and person

CPITEMNO (226A)
Q642

Per. No. →

Item No. →

CPPERSMO (226)	Q641		
----------------	------	--	--

64 During the last 12 months, did you buy outright, that is with cash or loan from a friend or relative (any of) the vehicle(s) you have mentioned?

Include bank overdrafts

Exclude Loan from organisation, bank, finance house or H.P. (enter at 68, 69)

Yes →
No →

CAR ₂ PAR (226 ₂ ¹ B)	Q64 ₂ ¹ 3	1	2
--	---------------------------------	---	---

Code vehicle below
- Go to 65

Running prompt

Car →
Van →
Motor cycle →
Moped →
Other motor vehicle specify? →

Q641 (TYPE)	1	1	1
2	2	2	2
3	3	3	3
4	4	4	4
5	5	5	5

Ask (a)-(e)

Per. No. Specify

(a) Was it new or secondhand?

New →
Secondhand →

NO CARP (226 ₂ ¹)	Q64 ₂ ¹ A	1	2
--	---------------------------------	---	---

(b) When was the vehicle acquired?

CARPDAT (229)
Q64B

Month

Enter month and year as two digit code

Year. 19

→									

(c) What was the total cash price of the vehicle?

CARPAMT (230)
Q64C

→									
---	--	--	--	--	--	--	--	--	--

(d) Was Road Fund Tax/Vehicle insurance included in the cash price?

CARPTINS (230A)
Q64D1

Yes →
No →

1	1	1	1
2	2	2	2

- Ask (f)
- Go to (e)

(f) How much was included for

CPCTAXAM (232)
Q64D2

Road fund tax?

→									
---	--	--	--	--	--	--	--	--	--

Running prompt

CPINSAMT (234)
Q64D3

Vehicle Insurance?

→									
---	--	--	--	--	--	--	--	--	--

(e) Was anything allowed for part exchange/trade in?

CPPARTEX (234A)
Q64E1

Yes →
No →

1	1	1	1
2	2	2	2

- Ask (f)
- Go to 65

(f) How much was allowed for part exchange/trade in?

CPPARAMT (235)
Q64E2

→									
---	--	--	--	--	--	--	--	--	--

- Ask 65

To all spenders who own or have owned a vehicle during the last 12 months (coded 1 at 61(f) or 83(f))

DNA _____ N _____

Go to 66

Use separate column for each vehicle and person

Use separate column for each vehicle and person			
CSPERS	NO (235A)	Q65 1	

CSITEMNO (235B) Q65 2.

Per No →	1	2	3	4
Item No →	1	2	3	4

65 In the last 12 months that is since have you sold any vehicles belonging to you (excluding the trade in/ part exchange you mentioned earlier)?

Yes →	1	2	3	4
No →	2	2	2	2

Code vehicle below
Go to 66

Running prompt

Car →
Van →
Motor cycle →
Moped →
Other motor vehicle specify? →

CSOLDTYP (236A) Q65 4	1	1	1
	2	2	2
	3	3	3
	4	4	4
	5	5	5

Ask (a) & (b)

Per No Specify

(a) When did you sell the vehicle? (237) Month
Enter month and year as two digit code Year 19
CSOLDDAT (237) Q65A

Month	Year 19				

(b) Did you receive payment by cash cheque or giro?

CRECPAY (238) Q65 B 1

Yes →	1	1	1	1
No →	2	2	2	2

Ask (i)
Go to 66

CRECAMT (239) Q65 B 2.
(i) How much did you receive?

--	--	--	--	--

Ask 66

To all households

Ask all spenders

RECORD 84

66 Have you received any refund(s) of vehicle licence during the last 12 months?

VETAXREF (241) Q66 2.

Per No →	1	2	3	4
----------	---	---	---	---

Yes →	1	1	1	1
No →	2	2	2	2

Ask (a)
Go to 67

(a) How much was (were) the refund(s)?
VETXRFA (242) Q66 3

--	--	--	--	--

Ask 67

67 Do (any of) you hold a current weekly or season ticket for any form of transport for which you yourself paid including any you have bought for a child?

RECORD 25

SEASONTK (245) Q67 1

Yes →	1
No →	2

Record details in grid below
Go to 68

Where season ticket is for combined modes of transport, specify modes, eg bus/tube, bus/rail, etc
Exclude payments for railcards, school bus or train passes (see 82) and O A P concessionary fare passes (see 80 on income schedule)

RECORD 85

STPERNO (245A) Q67 2.

Per No	Item No	Mode of transport eg rail only bus only rail/bus/tube combined	Enter period code	If code 9 specify period	Amount paid		OFF USE
					£	p	
	STL (245B) Q67 3	TRAIN ONLY - 1	245		STAMT (245D)		STL (245E) Q67 6
	STL (245B) Q67 3	TUBE ONLY - 2	50		Q67 5		STL (245E) Q67 6
	STL (245B) Q67 3	TRAIN+TUBE - 3	24				STL (245E) Q67 6
	STL (245B) Q67 3	BUS ONLY - 4	4				STL (245E) Q67 6
	STL (245B) Q67 3	BUS+TUBE - 5	4				STL (245E) Q67 6
	STL (245B) Q67 3	TRAIN+BUS - 6	4				STL (245E) Q67 6
	STL (245B) Q67 3	TRAIN,BUS,TUBE - 7	4				STL (245E) Q67 6
	STL (245B) Q67 3	OTHER - 8	4				STL (245E) Q67 6

Ask 68

67

To all households

Ask all spenders

CREDCARD

(210 A)

Q681

Per. No.

Yes

No

Use separate column for each person						
Per. No.						
Yes	1	1	1	1	1	1
No	2	2	2	2	2	2

Ask 69

68 Do (any of) you at present have a credit card such as Access, American Express, Barclaycard, Diners Club, Trustcard, etc?

CREDCARD (210 B)
Q682

DO NOT KEY

Q.69-72

Code all that apply using separate column for each arrangement

Use separate column for each arrangement							
Per. No.							
	No	Yes	Yes	Yes	Yes	Yes	Yes
Individual Prompt							
a bank for a personal loan, (that is a loan given originally for specific goods or services)?	X	1	1	1	1	1	1
a finance house?	X	2	2	2	2	2	2
an organisation granting a second mortgage?	X	3	3	3	3	3	3
your employer as repayments of a loan?	X	4	4	4	4	4	4
(Include repayments deducted from salary)							
70	No	Yes	Yes	Yes	Yes	Yes	Yes
Are (any of) you at present paying instalments under a hire purchase or credit sale agreement?	X	1	1	1	1	1	1
71	No	Yes	Yes	Yes	Yes	Yes	Yes
Are (any of) you at present paying instalments to any of the following:							
A budget or option account at a shop or store? (Exclude bank budget accounts)	X	1	1	1	1	1	1
Individual Prompt Any other shop running a club?	X	2	2	2	2	2	2
A Mail Order club as an agent or through a friend or relative?	X	3	3	3	3	3	3
Any other Mail Order organisation?	X	4	4	4	4	4	4
A Check Trader?	X	5	5	5	5	5	5
Exclude loans, h.p. and credit sale							
Other person or organisation?	X	6	6	6	6	6	6
Specify							
Exclude credit card arrangements							
72	Yes	Y	Y	Y	Y	Y	Y
Have (any of) you made a down payment on anything on which you have not yet paid an instalment?	No	X					

Ask 70

Ask 71

Ask 72

Reprompt 69-71 and specify type of arrangement in next column

Interviewer note

Check back to 69 to see if 73 applies
 Check back to 70 to see if 74 applies
 Check back to 71 to see if 75 applies
 Check back to 68 to see if S836C to be left with informant

To all spenders with instalments coded 1 4 of 69

Use separate column for each item/service			
LPERSNO (272)	Q73 1		
Item No	1	2	3
LITEMNO (272A) Q732			
LOAN CODE (272B) Q733			
PERC275 (276) Q73C			
LOANDAT (282) Q7301			
LINSTA LN (283) Q7302			
LORIGPAY (284) Q7303			
PERC284 (285) Q7304			
LNOITEM (278) Q73F			
LCASHP (279) Q73H			
LPARTEX (280) Q73i			
LOANDEP (281) Q73J			

Suggest consulting agreement or payments card before asking 73

Per No →

Item No →

Code from 69 →

LOAN AMT (274) Q73A

73 (a) How much was the loan? Exclude interest →

LOAN REP (275) Q73B

(b) How much was your last repayment on the loan? →

(c) How long a period did this cover? Enter period code →

(d) When did you obtain the loan? Enter month and year as two digit code →

Month

Year 19

(i) How many repayments did you originally agree to pay? →

(ii) How much was the originally agreed repayment? →

(iii) How often did you originally agree to make each payment? Enter period code →

(e) What items or services did you obtain with the loan? →

Use a separate column for each item/service covered by loan

OFF USE

OFF USE

(f) Was the item new or second hand? →

New

S/hand

DNA

(g) What is the type of firm from which the item or service was obtained? →

(h) How much was the cash price of (the goods or service)? Include Down payment Part exchange →

(i) How much was allowed in part exchange? →

(j) How much if anything did you have to put down in addition to the amount borrowed? (exclude part exchange) →

- Ask (b)

Ask (c)

If code 9, specify period

If more than 3 months before interview go to (a)-(j)

If less than 3 months before interview ask (i)-(iv) then (e)-(j)

LTEMPUR (277) Q73E1

LQUAL (277A) Q73E2

Ask 74

Loan details		Specify documents	
Interviewer to code whether documents	Seen by interviewer	1	
	Consulted by informant	2	
	Not consulted	3	

PERIOD CODES			
Week	1	Three months	6
Two weeks	2	Six months	7
Three weeks	3	Year	8
Four weeks	4	Other period	9
Cal month	5		

To all spenders with instalments coded 1 at 70

Use separate column for each item/service				
HPPERS	NO (287)	Q74 i		
1	2	3	4	

HPITEMNO (287A) Q74 2

Note: Where a downpayment (or part exchange) has been made but instalment not yet paid, please complete all questions except 74(e) and (f).

74 (a) What (items or services) did you obtain under the hire purchase/credit sale agreement?

HPITEMA (288) Q74A1
HPQUAL (288A) Q74A2

Item/service				
OFF. USE	7			
OFF. USE	7			

(b) What is the type of firm from which the item or service was obtained?

(c) Did you buy it new or second hand? HPNEWOLD (289) Q74 c

New	1	1	1	1
S/hand	2	2	2	2
DNA	3	3	3	3
	E	p	E	p

(d) How much was the cash price of (the item/service)? HPCASH PR (290) Q74 D

(e) How much was the last instalment you actually paid? HPINSTAL (291) Q74 E

--	--	--	--	--

(f) How long a period did this instalment cover? PERC (291) (292) Q74 F

--	--	--	--	--

(g) When did you obtain the item or service? HPDAT (293) Q74 G

(h) How much was allowed in part exchange? HPPARTEX (294) Q74 H

--	--	--	--	--

(i) How much was the down payment (excluding part exchange allowed)? HPDEPOS (295) Q74 I

--	--	--	--	--

(j) How many instalments did you originally agree to pay? HPORIGIN (296) Q74 J

--	--	--	--	--

(k) How much was the originally agreed instalment? HPORIGPA (297) Q74 K

--	--	--	--	--

(l) How often did you originally agree to pay each instalment? PERC 297 (298) Q74 L

--	--	--	--	--

If code 9, specify period

If obtained within last 3 months, ask (h)-(l), others go to 75

If code 9, specify period

See 75

Credit details **Specify documents**

Interviewer to code whether documents

Seen by interviewer 1.....

Consulted by informant 2.....

Not consulted 3.....

RECORD 79

To all spenders with arrangements coded 1 6 at 71

27

Use separate column for each arrangement

	Per No	CLUBFEAS (300)	Q75 1							
	Item No	→ 1	2	3	4					
	Code from 71	CLUBCO DE (300)	Q75 3							
75 (a)	What is the name of the firm to which your payments are made (through an agent)?									
		£	p	£	p	£	p	£	p	
(b)	How much was your last payment?	CLUBLAPA (302) Q75 B →								
(c)	How long a period did this payment cover?	Enter period code	PERC302 (303)	Q75 C						If code 9, specify period
(d)	Have you obtained any goods during the last month ie since (the date exactly a calendar month before interview) from (name of firm)?	Yes	→ 1	1	1	1				Record details below
		No	→ 2	2	2	2				

CLUBITNO (300 A)
Q75 2

If 'Yes', complete box below using a separate line for each item obtained. If 'No' ask 76

RECORD 80

Per No	Item No	Code from 71	Description of goods obtained Name as far as possible. If clothing state whether for adult or child. If sex of child give age.	Date obtained		Cash price		OFFICE USE
				Day	Month	£	p	
	1							
	2							
	3							
	4							
	5							
	6							
	7							
	8							
	9							
	10							

CLUBGPNO (304 A) Q75 D2.

CLUB GINO (304) Q75 D3

CLUB RYF (306) Q75 D4

CLUB DAT (305) Q75 D5

CLUB SCOS (307) Q75 D6.

CLUB IUT (308) Q75 D7

CLUBQUAL (308A) Q75 D8

PERIOD CODES			
Week	1	Four weeks	7
Two weeks	2	Cal month	8
Three weeks	3	Three months	9
	4	Six months	
	5	Year	
	6	Other period	

Ask 76

To all households

Ask all spenders

RECORD 25

BANKACS (309) Q761

76 Do (any of) you have current accounts or bank budget accounts?

Yes 1
No 2

- Ask (a) + (b)
- Go to 77

RECORD 81

Use separate column for each account and person

BANK	PNO	(309A)	Q762.
------	-----	--------	-------

BANK ITNO (309B) Q763

Per. No. Item No.

1	2	3	4
---	---	---	---

(a) Do you have a current account? a bank budget account?

BAC TYPE (309C) (Q76A) 1 2

- Ask (b) for each account

Prompt: All current and bank budget accounts at high street banks and National (Post Office) Giro BANKSERC (310) Q76B1

(b) Have you paid any bank service charges on any of these accounts in the last 12 months?

Yes 1 1 1 1
No 2 2 2 2

- Ask (i) and (ii)
- Go to 77

(i) How much were your bank service charges, excluding interest, from this account in the last 12 months, that is since.....?

Include all accounts BANS CAMT (312) Q76B2

£	p	£	p	£	p	£	p
---	---	---	---	---	---	---	---

(ii) Was any part of this amount for business purposes?

BSCBUSP (313) Q76B3

Yes 1 1 1 1
No 2 2 2 2

- Ask (ai)
- Go to 77

(ai) About what proportion would be for business?

BSCBUS PR (315) Q76B4

%

- Ask 77

77 Apart from any of the items I have already asked you about, do (any of) you pay for anything by standing order or direct debit through a bank, bank budget account, National (Post Office) Giro or building society?

RECORD 25

Yes 1
No 2

Record details in grid below
- Go to 78

BANKSTOR (316) Q771

Exclude credit transfers

RECORD 82.

Per. No.	Item No.	Purpose (Automobile Association membership, etc.)	OFF. USE	Enter period code	If code 9, specify period	£	p
	1						
	2		4	5			
	3		QT1	QT1			
	4		(318)	(318A)			
	5		UR	UA			
	6		ORP	ORQ			
	7		BST	PRC			
	8						
	9						

BSTOR PNO (316A) Q772

To all households

(Ask hoh or wife)

RECORD 25

78 Has any member of your household acquired anything free of charge on prescription during the past seven days ending yesterday?

PRES (319A) Q78

Yes
No

2

- Ask (a) & (b)
- Go to 79

Exclude items acquired on prescription season tickets

RECORD 91.

(a) Who acquired the items?

Per No

PRESNO	(319B)	Q78A	
PRESNO	(320)	Q78B	

(b) How many items did they acquire?

79 Has any member of your household had any free welfare milk during the past seven days ending yesterday?

RECORD 25.

FREEWELF (321)

Yes
No

Q79

1
2

- Ask (a) & (b)
- Go to 80

RECORD 92.

(a) Who received the milk?

Per No

WELFRNO	(321A)	Q79A	
WELFMI	LK (322)	Q79B	

(b) How many pints did they receive during the seven days ending yesterday?

80 Has any member of your household had any free school milk during the past seven days ending yesterday?

RECORD 25.

FRSCMILK (322A)

Yes
No

Q80

2

- Ask (a) & (b)
- See 81

RECORD 93.

(a) Who received the milk?

Per No of child

SCHMFRNO	(322B)	Q80A	
SCHMILK	(323)	Q80B	

(b) How many pints did they receive during the seven days ending yesterday?

- See 81

RECORD 25

To all with children at state schools

DNA. No state school children

N

- Go to 83

81 Have any of your children at state schools had any school meals during the past 7 days ending yesterday?

SCHMEALS (324)
Q 81

Yes
No

1
2

- Ask (a)-(c)
- Go to 82

RECORD 94

(a) Which child? → Per. No. of child

SMPERNO (324A) Q81A

(b) How many meals has each child had?

SMNOHD LW (324B) Q81B

(c) Were the meals free? SMFREE (324C) Q81c

1	1	1	1
2	2	2	2

- Go to 82
- Ask (d)

(d) During the last seven days did you pay for any of the meals? SMPAIDLW (328) Q81D1.

1	1	1	1
2	2	2	2

- Ask (I) & (II)
- Go to 82

(I) How much did you pay for each child during the past seven days ending yesterday? SMPDAMT (329) Q81D2

£	p	£	p	£	p	£	p
---	---	---	---	---	---	---	---

(II) How many meals does this cover? SMNDPDLW (330) Q81D3

SMNDPDLW (330) Q81D3

- Ask 82

Include: school cafeteria and fixed priced meals
Exclude: school tuck shop

RECORD 25

82 Has/have your child(ren) at State school travelled to or from school by bus or train during the past 7 days ending yesterday? RECORD 96

SCHTRAV (331)
Q82.

Yes
No

1
2

- Ask (a)-(b)
- Go to 83

(a) Which child? → Per. No. of child

SCTRANO (331A) Q82A

(b) Did he/she travel free? SCTRFREE (331B) Q82B

1	1	1	1
2	2	2	2

- Go to 83
- Ask (c)

(c) During the past seven days ending yesterday did you actually pay for any of the travel? STPAIDLW (331C) Q82C1

1	1	1	1
2	2	2	2

- Ask (I) & (II)
- Go to 83

(I) How much did you pay for each child during the past seven days ending yesterday? STPAYM (333) Q82C2.

£	p	£	p	£	p	£	p
---	---	---	---	---	---	---	---

(II) How many days does this cover? STDAYCOV (333A) Q82C3

STDAYCOV (333A) Q82C3

- Ask 83

To all households

Ask all spenders

RECORD 25

GRANTS (335)

Q83

83 Have any of you (or your children under 16) received any education grants maintenance grants or scholarships during the last 12 months, that is since ?

Yes _____
No _____

1
2

- Ask (a)
- Go to 84

Exclude parental contribution

RECORD 83.

Use separate column for each grant and person							
GRANT	PNO	(336)	Q33A1				
(a) Who is/was receiving the grant _____ Per No							
GRITEMNO (336A) Q83A2							
1	2	3	4				
(b) Is/was the source of the grant							
GRANTSOU (337) Q83B							
State?	1	1	1	1			
Private?	2	2	2	2			
Overseas?	3	3	3	3			
£	p	£	p	£	p	£	p
(c) What is/was the current annual value of the grant excluding fees? GRVEXFE (338) Q83C							
(d) What is/was the current annual value of the grant including fees? GRVINCF (339) Q83D							
(e) Are you (or your children) still receiving the grant or scholarship? GRANTSRE (340) Q83E							
Yes	1	1	1	1			
No	2	2	2	2			
(f) How much of this was/is being/will be paid direct to you (or your children) by cash or cheque? GRANTDIR (341) Q83F							
(g) Is the grant for attendance at a state or private establishment? ESTTYPE (342) Q83G							
State?	1	1	1	1			
Private?	2	2	2	2			
(h) Is the course you (or your children) are attending up to and including 'A' level? CORTYPE (343) Q83H							
Up to and including 'A' level	1	1	1	1			
Above 'A' level	2	2	2	2			
DK	3	3	3	3			
(i) What is the name of the examination you (or your children) will take?							

- Ask 84

To all households

Ask all spenders

84 In the last 12 months that is since have (any of) you paid any of the following for yourself or your children in this household?

Include parental contribution

If child aged 16 to 24 and currently living away from home and receiving full- or part-time education, enter details at 87-92.

(a) Have you paid any fees or maintenance for any educational courses at any level but excluding leisure classes?

RECORD 25

EDUCFEES (344) Q84A1.

Yes -> 1 - Ask (i)-(vi)
No -> 2 - Go to (b)

RECORD 97

Use separate column for each course and person

Table with columns: EDUCFNO (344A) Q84A2

(i) Who is/was attending the course? -> Per. No.

EDUCITNO (344B) Q84A3 -> Item No.

Table with columns: 1, 2, 3, 4 and rows: £, p, £, p, £, p, £, p

(ii) What was the annual amount paid? -> EDUCFAMT (345) Q84A4

Table with 4 columns for annual amount

(iii) Is/was the course at a state or private establishment? -> State? Private?

EDCESTTY (346) Q84A5

Table with columns: 1, 2, 1, 2, 1, 2, 1, 2

(iv) Is/was the course you (or your children) are/were attending

EDUCCOTY (346A) Q84A6 -> Up to and including 'A' level, Above 'A' level, DK?

Table with columns: 1, 2, 3, 1, 2, 3, 1, 2, 3, 1, 2, 3

(v) What is the name of the examination you (or your children) will take?

Table with 4 columns for examination name

(vi) Are you (or your children) currently attending the course? -> EDUCSTAT (346B) Q84A7

Table with columns: 1, 2, 1, 2, 1, 2, 1, 2

(b) Have you paid any fees for any (other) course or private tuition such as nursery school, play school, driving, swimming, music, riding lessons, weekend or evening courses or other leisure classes?

RECORD 98

RECORD 25

LEISCFEE (347) Q84B1

Yes -> 1 - Ask (i)-(v)
No -> 2 - Go to (85)

Use separate column for each course and person

Table with columns: LEISCP NO (347A) Q84B2

(i) Who is/was attending the course? -> Per. No.

LEISCITN (347B) Q84B3 -> Item No.

Table with columns: 1, 2, 3, 4 and rows: £, p, £, p, £, p, £, p

(ii) What is the total amount paid in the last 12 months? -> LEISCAMT (348) Q84B4

Table with 4 columns for total amount

(iii) Is/was the course: At a state establishment? At a private establishment? or an individual giving private tuition? -> LEISCEST (349) Q84B5

Table with columns: 1, 2, 3, 1, 2, 3, 1, 2, 3

(iv) What is the subject being studied? -> LEISCSAT (349A) Q84B6

Table with 4 columns for subject

(v) Are you (or your children) currently attending the course? -> LEISCSAT (349A) Q84B6

Table with columns: 1, 2, 1, 2, 1, 2, 1, 2

To all households

Ask all spenders

RECORD 25

PTCOURSE(349B).

Q85

Yes → 1
 No → 2

- Ask (a)-(c)
 - See 86

85 (In addition to the courses you have told me about) are you at present attending any part time courses at a state educational establishment for which you do not pay fees?

RECORD 99.

(a) Who is attending the course? → Per No

PTITEMNO(349D) Item No
 Q85A2

PTPERNO (349C)	Q85A1		
1	2	3	4

(b) Is the course

PTTYPE(349E) Q85B
 Up to and including 'A' level →
 Above A level →
 DK? →

1	1	1	1
2	2	2	2
3	3	3	3

(c) What is the name of the examination you will take?

--	--	--	--

- See 86

RECORD 100

To all households with a member aged 14-18 who is coded 4 (state secondary) or 7 (non-advanced further education up to 'A' level) at Q 6, front page

DNA. Others aged below 14 or over 18 → N - Go to 87

86 Is the course you (or your children) are attending part of the technical and vocational educational initiative?

TVEITNO(349G) Item No
 Q862

TVEIPNO (349F)	Q861		
1	2	3	4

TVEI(349H) Yes →
 No →
 DK →

1	1	1	1
2	2	2	2
3	3	3	3

- Ask 87

Ask all spenders

Educational income and expenditure for non household members

OUTGRANT(350) Q 87

87 Have you a child aged 16 to 24 outside this household who is currently receiving full or part-time education?

Yes -> 1 - Ask (a)-(f)
No -> 2 - Go to 83

RECORD 28

Table with 4 columns (31-34) and 1 row: Use separate column for each course and person

(a) Ring person number OSPERSNO(351) Q87A

(b) Enter relationship to HOH

* OS PER HOH(355) Q87B OFF. USE

* CODING FRAME AS AT Q02 PAGE A01

(c) Sex OSPERSEX (352) Q87C Male Female

Table with 4 columns (31-34) and 2 rows: Male, Female

(d) Age now OSERAGE (353) Q87D

Table with 4 columns (31-34) and 1 row: Age

(e) Full or part-time education OSEREST (354) Q87E Full time Part time DK

Table with 4 columns (31-34) and 3 rows: Full time, Part time, DK

(f) Enter person number of parent/guardian giving details at (a)-(e) OSPARENT (356) Q87F

Table with 4 columns (31-34) and 1 row: Parent/Guardian

88 In the last 12 months, that is since ... have you paid any of the following for the child you have just mentioned:

(a) fees or maintenance for any educational courses at any level but excluding leisure classes? OSEDFAMT (365) Q88A Yes No

Table with 4 columns (31-34) and 2 rows: Yes, No

(i) What was the annual amount paid? OSEDCFEE (364) Q88A1

Table with 4 columns (31-34) and 1 row: Annual amount

(ii) Was the course at a state or private establishment? OSEDESTT (366) Q88A2 State Private

Table with 4 columns (31-34) and 2 rows: State, Private

89 Has your child received any education grants, maintenance grants or scholarships during the last 12 months, that is since ...? Yes No

Exclude parental contribution OSGRANTR (357) Q89A

Table with 4 columns (31-34) and 2 rows: Yes, No

(a) Is your child still receiving the grant or scholarship? OSGSREC (358) Q89A Yes No

Table with 4 columns (31-34) and 2 rows: Yes, No

(b) Is/was the source of the grant ... State? Private? Overseas? OGSOURCE (359) Q89B

Table with 4 columns (31-34) and 3 rows: State, Private, Overseas

(c) What is/was the current annual value of the grant excluding fees? OQEXFEE (360) Q89C

Table with 4 columns (31-34) and 1 row: Grant value (excl. fees)

(d) What was the current annual value of the grant including fees? OGINCFEE (361) Q89D

Table with 4 columns (31-34) and 1 row: Grant value (incl. fees)

90 Is your child attending a ... University? Running Prompt OSESTTYP (362) Q90

Table with 4 columns (31-34) and 3 rows: University, Running Prompt

91 Is the course ... up to and including 'A' level or above 'A' level? DK ODCORTYP (363) Q91

Table with 4 columns (31-34) and 3 rows: Course level, DK

92 What is the name of the examination your child will take?

Table with 4 columns (31-34) and 1 row: Examination name

To all households

Ask all spenders

RECORD 25

PAGE A35

Show prompt card A

BUSREF (363A) Q93

93 Do you have (have you had) any of these items of household expenditure, which you have mentioned refunded by your employer (main or subsidiary)?

Yes → 1 Ask (a)
No to all → 2 Go to 94

(a) For each item refunded ask (i) and (ii) and enter details in grid below

RECORD 103

- (i) How much of the expenditure you mentioned did you have refunded?
- (ii) How long was the period covered by the refund?

Prompt amounts entered at relevant questions	Yes	No	Per No	Amount refunded		Period covered by refund	If code 9 specify period
				£	p		
Rent (18)	1	X					
Rates (24)	2	X					
Water/sewerage rates (29)	3	X					
Mortgage payment (33 or 36)	4	X					
Insurance on structure (42 or 43)	5	X					
Gas (53 60)	6	X					
Electricity (53-60)	7	X					
Telephone (49)	8	X					
	8	X					
Road fund tax (61(a) and 63(a))	9	X					
	9	X					
Vehicle insurance (61(d) and 63(d))	10	X					
	10	X					
Vehicle purchase (64 and 69-74)	11	X					
	11	X					

BUSEXPEN (435) Q93 1

BUSPERNO (435A) Q93 2

BUSERAMT (436) Q93 A 1

CPEACH36 (437) Q93 A 2

PERIOD CODES			
Week	1	Four weeks	4
Two weeks	2	Cal month	5
Three weeks	3	Three months	6
		Six months	7
		Year	8
		Other period	9

Ask 94

To all households

Ask all spenders

Show prompt card B

94 Did anyone from outside the household give you the money to pay for any of the household expenditure you have mentioned?

RECORD 25

EXPQIVN (589A) Q 94 1

Yes 1
 No 2

- Ask (a)-(d)
 - Go to 95

RECORD 101.

Use separate column for each item and person											
EXPQVP NO (589C) Q94 2											
Per. No.		1		2		3		4			
Item No.		1		2		3		4			
(a) What was (were) the item(s) of expenditure?											
(b) Who gave you the money for the?											
(c) How much was the amount gave you?											
(d) How long a period did this cover?											

EXPQVITN (589C) Q 94 3

(a) What was (were) the item(s) of expenditure?
 (b) Who gave you the money for the?
 (c) How much was the amount gave you?
 (d) How long a period did this cover?

EXPQVNAM (590) Q94c

Enter period code

If code 9, specify period
 - Ask 95

95 Were any of the items of household expenditure which you mentioned paid direct by someone else outside the household?

RECORD 25 (EXPQDIR (591A) Q95 1

Yes 1
 No 2

- Ask (a)-(d)
 - Go to 96

Exclude direct payment of bills by Supplementary benefit

RECORD 102.

Use separate column for each item and person											
EXPQDIR PN (591C) Q95 2											
Per. No.		1		2		3		4			
Item No.		1		2		3		4			
(a) What were the items of expenditure?											
(b) Who paid for the?											
(c) How much was the amount paid?											
(d) How long a period did this cover?											

EXPQDIRIN (591C) Q95 3

(a) What were the items of expenditure?
 (b) Who paid for the?
 (c) How much was the amount paid?
 (d) How long a period did this cover?

EXPQDAM (592) Q95c

Enter period code

If code 9, specify period
 - Ask 96

PERIOD CODES:-					
Week	- 1	Four weeks	- 4	Six months	- 7
Two weeks	- 2	Cal. month	- 5	Year	- 8
Three weeks	- 3	Three months	- 6	Other period	- 9

The information on this page should be obtained from local authority office and entered below

GRV (372) Q96

	P 00
	P 00

96 Gross Value of rateable unit(s) covering the household

NRV (373) Q97

97 Net Rateable Value of rateable unit(s) covering the household

98 Copy from valuation lists

Description (Flat, Shop with flat, house with garage etc)	Location in building

For all households containing men aged 65 and over and women aged 60 and over

DNA

N

- Go to 100

99 What concessionary bus travel provisions are provided for OAP -

- Free bus pass or permit
- Half fare bus pass or permit
- Flat fare bus pass or permit
- Bus tokens or bus tickets
- Any other type of concessionary OAP bus pass? Specify

1	INA129 (374) Q99.
2	
3	
4	
5	
6	

Ask 100 and go to next document

- Ask (a)

Ask 100 and go to next document

No concessionary bus travel provision in area

(a) Annual value of tokens/tickets

CONBUSAM (375) Q99A

--	--

- Ask 100 and go to next document

To all households at end of record-keeping period (Ask hoh or wife)

100 Were there any special circumstances, such as visitors staying with you or temporary absences of members of your household during the past two weeks?

Yes
No

X
Y

Specify special circumstances below

Go to next document

Specify special circumstances

IN CONFIDENCE

Family Expenditure Survey

CI									
Interviewer Use									
Area			Ser			Hid			

Check that these spenders have been asked these questions on S 836A 44-48 50, 61-77 81-94

Income Schedule
AREANUMB(382)
Q003

SERNUMB(383) Q004 HHNUMB(384) Q005

To all

Per No	Per No	Per No
PERSN	OB(385)	Q006

1 Are you doing any kind of paid work at present?
Include person absent due to holidays strikes sickness, injury, or temporarily laid off, as long as they have a job to return to Include student 16 or over if working at present

Yes	Y	Y	Y	Ask (a)
No	X	X	X	Go to (b)

(a) Are you

Working [an employee (inc CP ACE t)]
[self employed or employer]

*Employee includes all working regularly for an employer irrespective of hours worked per week (include short time working), directors of limited companies

**Self employed includes all working regularly irrespective of number of hours worked per week, also include childminders

Exclude mail order agents and baby sitters

(b) Probe the situation and code below

Intending to work	Out of employment but seeking or about to start work (inc TOPS ATS YTS/YTP o)	3	3	3	Go to 4
	Out of employment because of sickness or injury but intending to seek or about to start work	4	4	4	
Not Working	Sick or injured but not intending to seek work	5	5	5	See 6
	Retired (incl Job Release Scheme)	6	6	6	Go to 5
	None of these	7	7	7	See 6

1	2	3	4	5	6	7	
							1
IN A201 (386) Q01							

† Receiving a wage
} CP = Community Programme (Great Britain)
} ACE = Action for Community Employment (N Ireland)

⊖ Receiving an allowance
} TOPS = Training Opportunity Scheme (Great Britain)
} ATS = Attachment Training Scheme (N Ireland)
} YTS = Youth Training Scheme (GB)
} YTP = Youth Training Programme (NI)

To all Employees (code 1 at 1(a)) and Self-Employed (code 2 at 1(a))

Per. No.	Per. No.	Per. No.

2 For how many weeks have you done regular paid work in the last 12 months, that is since _____ ?

WKSWE	MP (381)	Q02
-------	----------	-----

Employees ask 3; self-employed go to 9

Include Paid Holidays and paid Sick Leave
Exclude strike periods

To all Employees (coded 1 at 1(a))

3 Have you been away from work today?

AWFRWRK (388)

Yes _____

No _____

1	1	1
2	2	2

Ask (a)

Go to 9

Probe to find out whether day of interview is a normal working day - if normal working day and away from work, code 1

Q03

AWLS3DAY (389)

Yes _____

No _____

1	1	1
2	2	2

Ask (i)-(iii)

Go to 9

(a) Have you been away from work for more than the last 3 working days?

Q03A

(i) What is the reason for your absence:

Running prompt

illness or accident _____

holiday _____

strike _____

other? _____

Q03A1	1	1
	2	2
	3	3
	4	4

Ask (ii)

Specify on left and ask (ii)

Per. No. Specify

Per. No. Specify

Per. No. Specify

(ii) Are you receiving

Running prompt

full pay from your employer? _____

part pay, or made up pay _____

no pay? _____

INA209 (391) Q03A2

1	1	1
2	2	2
3	3	3

(iii) How many weeks in all have you been away from work during this spell of absence?

NOWKSA W (392) Q03A3

Go to 9

If less than one week, give days

To all intending to work (coded 3 or 4 at 1(b))

Exclude students, school leavers yet to start first job

DNA Others

N	N	N
X	X	X

Go to 9

Go to 45

4 How many weeks is it since you did any regular paid work?

WKSSIN CW (393) Q04

If less than 52 weeks ask (a); If 52 weeks or more go to 9.

(a) For how many weeks have you done regular paid work in the last 12 months, that is since _____ ?
Include Paid Holidays and Paid Sick Leave
Exclude strike periods

WkSWu NEM (394) Q04A

Go to 9

To all retired (coded 6 at 1(b))

5 Have you retired in the last 12 months that is since

RETL12M (394A) Q05
 Yes No

Per No		Per No		Per No	
£	p	£	p	£	p
1		1		1	
2		2		2	

- Ask (a)
 - Go to 45

(a) How much did you earn from your job (before tax) in the 12 months just before you retired?

RETEARN (396) Q05A

--	--	--	--	--	--

- Go to 45

To men aged under 65 and women aged under 60 and coded 5 or 7 at 1(b)

DNA Men 65 and over & Women 60 and over

INA217 (397) Q06

F Are you prevented from seeking work because you are looking after a sick or aged relative?

Yes No

N		N		N	
1		1		1	
2		2		2	

- Go to 45
 - Go to 8
 - Ask 7

7 (As far as you know) are you permanently unable to work?

INA221 (398) Q07

Yes No

1		1		1	
2		2		2	

- Ask (a)
 - Go to 8

(a) Could you tell me why you are permanently unable to work?

Per No Reason
 Per No Reason
 Per No Reason

8 Have you done any regular paid work during the last 12 months that is since

REGWORK (399) Q08

Yes No

1		1		1	
2		2		2	

- Ask (a)-(c)
 - Go to 45

(a) For how many weeks did you work?

Include Paid holiday, paid sick leave
 Exclude strike periods

REGWKS (399A) Q08A

(b) What wage/salary did you usually receive each time you were paid after all deductions?

REGPAY (400) Q08B

--	--	--	--	--	--

(c) How often were you usually paid?

Weekly
 Fortnightly
 Four weekly
 Calendar monthly
 Some other period

1		1	
2		2	
4		4	
5		5	
9		9	

- Go to 45
 - If code 9, specify period

Go to 45

Per No.	Per No.	Per No.
N	N	N

To all employees (coded 1 at 1(a))
self employed (codes 2 at 1(a))
unemployed (coded 3 or 4 at 1(b))

DNA Codes 5,
6, or 7 at 1(b)

- Go to 45

9 Do did you have more than
one job (for pay or profit)?

one job only

more than one job

Y	Y	Y
X	X	X

- Enter details at (a)

- Enter details at (a)
then (b)

If coded
1 or 2
at 1(a)

List all jobs at which informant is currently
working and has already been paid except for
mail order agents and baby sitters.

If an employee and currently working at time of
interview and not yet paid (i.e. new job) give
details of current job (and anticipated pay at 10
etc.)

If coded
3 or 4
at 1(b)

If unemployed and intending to work give
details of last job and pay at 10, 38 etc

(a) Most remunerative job

Per. No.

Occupation

Industry

(occupation)
OCCUP(402) Q09A1

OFF. USE

(INDUSTRY)
INA211(403) Q09A2

OFF. USE

INA246(404)
Q09A3 Director

1

Code
employment
status below

Per. No.

Occupation

Industry

OFF. USE

OFF. USE

1

Director

Code
employment
status below

Per. No.

Occupation

Industry

OFF. USE

OFF. USE

1

Director

Code
employment
status below

WORKSTAT (405)

Employee Q09A4

Self employed

1	1	1
2	2	2

- See (b)

Per No	Per No	Per No

(b) Subsidiary job

Exclude mail order agents and baby sitters

DNA →	N	N	N
-------	---	---	---

See 10 or 38

Per No

Occupation

Industry

Code employment status below

Director →

1

Per No

Occupation

Industry

Code employment status below

Director →

1

Per No

Occupation

Industry

Code employment status below

Director →

1

SUBWKSTA (401) Q09B2

Employee →

Self employed →

1	1	1
2	2	2

See 10 or 38

To all employees (coded 1 at 1(a))
all unemployed (coded 3 or 4 at 1(b))

Per No	Per No	Per No

Most remunerative job (coded 1 at bottom of 9(a))

DNA. Coded 2, 5-7 at 1

£	p	£	p	£	p
N		N		N	

- Go to 38

10 On what date were you last paid a wage or salary?

Enter day, month & year
as two digit numbers

Day

Month

Year. 19

PAY DAY		
(408)		
Q10		

If more than
a year ago,
no further
details required
Go to next
job or 45

If currently working at time
of interview and not yet paid
(ie new job) give details of
current job and anticipated pay.

11 What was your wage/salary, including overtime,
bonus, commission or tips, after all deductions,
the last time you were paid?

PAYAMT	(409)	Q11
--------	-------	-----

12 How long a period did your
last wage or salary cover?

- Week
- Fortnight
- Four weeks
- Calendar month
- Some other period

(410) Q12	PERCH09	1	1
		2	2
		4	4
		5	5
		9	9

- Specify period

13 Did this include a refund of income tax?

TAX REF (411)

Q13

- Yes
- No

1	1	1
2	2	2

- Ask (a)

- Go to 14

(a) How much was the refund?

TAX REF AM (411A)

Q13A

--	--	--

14 How much was deducted for
income tax under PAYE?

NOTAX (412A) Q141
No tax deducted

TAX (412)	(Q14)	
-----------	-------	--

If no tax deducted
code below, then
ask (a); others go
to 15

(a) Do you usually pay any tax?

Yes

TAX USUAL (413)

No

Q14A

1	1	1
2	2	2

Specify on
left reason
why tax
not paid

- Ask 15

Per. No. Specify reason

Per. No. Specify reason

Per. No. Specify reason

15 How much was deducted as National Insurance
contribution?

MINO (414)

Q15

No N.I. deductions

MONINO (414A)

Q151

(a) Do you usually pay
National Insurance contributions?

Yes

NI USUAL (414B)
Q15A

--	--	--

If no N.I.
deducted, code
below then ask
(a); others go to
16.

1	1	1
---	---	---

1	1	1
2	2	2

- Go to 16

Most remunerative job (continued)

16 Were there any other deductions from your wage salary such as superannuation union fees Friendly Society sports clubs specialised pastimes or charities?

		Per No	Pa No	Per No
		£	p	£
DEDUCTS(414C) Q16				
Yes	→	1	1	1
No	→	2	2	2
Superannuation DEOSUP(415A) Q161				
DEOSUPAM(415B) Q162	→	1	1	1
Union fees DEOUF(415C) Q163				
DEOUFAMT(415D) Q164	→	2	2	2
Friendly societies DEOFS(415E) Q165				
DEOFSAMT(415F) Q166	→	3	3	3
Sports clubs and specialised pastimes DEOSC(415G) Q167				
DEOSCAMT(415H) Q168	→	4	4	4
Charities DEOCH(415I) Q169				
DEOCHAMT(415J) Q1610	→	5	5	5
Other deductions DEOTH(416A) Q1611				
DEOTWAM(416B) Q1612	→			
DEOTWOTY(416C) Q1613	→			OFF USE
DEOTWOU(416D) Q1614	→			OFF USE
DEOTWOTY(416E) Q1615	→			
DEOTWOTY(416F) Q1616	→			OFF USE
DEOTWOU(416G) Q1617	→			OFF USE
DEOTHRAM(416H) Q1618	→			
DEOTHRTY(416I) Q1619	→			OFF USE
DEOTHRQU(416J) Q1620	→			OFF USE
(a) Interviewer to code				
Was the pay slip for the date shown at 10				
consulted by interviewer	→	1	1	1
consulted by informant	→	2	2	2
not consulted	→	3	3	3
Was other pay slip consulted	→	4	4	4
INA ²³⁵ (417) Q164A.				
(i) What was the gross wage salary including superannuation as shown on payslip?				
GROSSPAY(418) Q16A1				

Most remunerative job (continued)
(coded 1 at 1(a), 3 or 4 at 1(b))

DNA. If unemployed for more than 13 weeks (see Q.4) →

Per No	Per No	Per No
£ p	£ p	£ p
N	N	N

Go to 21

17 Do you receive a mileage allowance or fixed allowance from your current (last) employer?

MALLREC (418A)
Q17

Yes →
No →

1	1	1
2	2	2

- Ask (a)
- Go to 18

(a) Was any allowance for motoring included in the net pay of £..... (see 11) that you received on (see 10)?

MALLINPAY (418B)
Q17A

Yes →
No →

1	1	1
2	2	2

- Ask (i)
- Go to 18

(i) How much was included

MILEALL (440)
Q17A1

--	--	--	--

18 (In addition to the mileage/fixed allowance) were there any refunds for motoring expenses included in the net pay of £..... (see 11) that you received on (see 10)?

MOTEXREC (440A)
Q18

Yes →
No →

1	1	1
2	2	2

- Ask (i)
- Go to 19

(i) How much was included

OTHMOTRE (442)
Q181

--	--	--	--

Show prompt card A

19 Were there any refunds of household expenditure by your current (last) employer included in the net pay of £..... (see 11) that you received on (see 10)?

HHEXPINC (442A)
Q191

Yes →
No →

1	1	1
2	2	2

Specify below and enter amounts
- Go to 20

Per. No.	Describe what was covered by refund
	BUSERIN1 (439B) Q192 →
	BUSERIN2 (439C) Q193 →
	BUSERIN3 (439D) Q194 →

20 (In addition to the refunds you have already mentioned) did you receive any (other) refunds for business expenditure from your current (last) employer included in the net pay of £..... (see 11) that you received on (see 10)?

OTHBUINC (439A)
Q201

Yes →
No →

1	1	1
2	2	2

Specify below and enter amounts
- Ask 21

Per. No.	Describe what was covered by refund
	OTHBUSE1 (443A) Q202 →
	OTHBUSE2 (443B) Q203 →
	OTHBUSE3 (443C) Q204 →

Most remunerative job (continued)

(Coded 1 at 1(a) 3 or 4 at 1(b))

Per No	Per No	Per No
INA220	(419)	Q21
INA244	(420)	Q22.

21 How many hours a week do you usually work excluding meal breaks and all overtime?

22 On average how many hours (if any) paid overtime do you usually work in a week?

Ask 23

Most remunerative job (continued)

(Coded 1 at 1(a), 3 or 4 at 1(b))

Show prompt card C

23 Was your last wage or salary affected by any of the following:

- (a) Holiday pay or other pay in advance
- Back pay
- Different pay rate for unsociable hours/different shifts
- An occasional bonus
- Irregularly paid overtime
- Deductions from usual pay for N.I. Benefit received
- Tax refund
- Business refunds
- Tax adjustment for previous unemployment benefit/supplementary benefit received
- Absence from work because of sickness
- No to all

Per. No.	Per No	Per. No.
£	p	£ p
£	p	£ p
£	p	£ p
1	1	1
2	2	2
3	3	3
4	4	4
5	5	5
6	6	6
7	7	7
8	8	8
9	9	9
10	10	10
11	11	11

PAY AFFEC (424) Q23A

- (b) Was your last wage or salary affected by anything else?
 - Yes
 - No
- Per. No. Specify
- Per. No. Specify
- Per. No. Specify

1	1	1
2	2	2

Specify on left and ask 24
- Ask 24

OTH AFFEC (425) Q23B

24 Your last wage salary after all deductions was £ (see 11). Is this the amount you usually receive (when at work)?

- Yes
- No

1	1	1
2	2	2

- Go to 25
- Ask (a)-(c)

INA254 (426) Q24

- (a) What do you usually receive each time you are paid after all deductions?

--	--	--	--	--	--

- Ask (b)

USNETPAY (427) Q24A

and

- (b) What do you usually receive each time you are paid before all deductions?

--	--	--	--	--	--

- Ask (c)

USGROPAY (428) Q24B

- (c) How often are you usually paid?
 - Weekly
 - Fortnightly
 - Four weekly
 - Calendar monthly
 - Some other period

1	1
2	2
4	4
5	5
9	9

- Specify period and ask 25

PERC428 (429) Q24C

Most remunerative job (continued)
(Coded 1 at 1(a) 3 or 4 at 1(b))

Per No	Per No	Per No

25 In the last 12 months have you received an occasional addition to pay such as Christmas or quarterly bonus or an occasional commission?

BONUSES (430) Q25

Yes
 No

£	p	£	p	£	p
1		1		1	
2		2		2	

Specify below and enter amounts
- See 26

Per No	Description
	BONUSAM1 (431A) Q251
	BONUSAM2 (431B) Q252
	BONUSAM3 (431C) Q253
	BONUSAM4 (431D) Q254

(a) Was this amount **BONBATA (432) Q25A** before tax after tax? DK

Running prompt

1	1	1
2	2	2
3	3	3

- See 26

To all whose last pay was not usual (coded 2 at 24)

DNA Others

N	N	N
---	---	---

- See 28

26 Did the usual net pay of £ (see 24(a)) include any of this bonus?

BONUSPAY (432A) Q26

Yes
 No

1	1	1
2	2	2

- Ask (a)
- Go to 27

(a) How much was included? **BONINUSP (433) Q26B**

--	--	--	--	--	--

Ask 27

27 Was any allowance for motoring included in your usual net pay of £ (see 24a)?

MALLUSP (433A) Q27

Yes
 No

1	1	1
2	2	2

- Ask (a)
- See 28

(a) How much was included? **MALLINNP (441) Q27A**

--	--	--	--	--	--

See 28

Most remunerative job (continued)

(Coded 1 at 1(a), 3 or 4 at 1(b))

Per No		Per No		Per No	
£	p	£	p	£	p
N		N		N	

DNA. If unemployed for more than 13 weeks (see Q 4)

See 32

28 Has Inland Revenue allowed you, or will you be claiming, tax relief for expenses incurred as a result of your employment, such as overalls, clothing, tools, subscriptions to professional societies?

TAXRELAL (441A) Q28

Yes No

1	1	1
2	2	2

Ask (a)
Go to 29

(a) What is the amount on which tax relief will be allowed?

TAXRELF (434) Q28A

--	--	--	--	--	--

Ask 29

29 Do you receive any luncheon vouchers from your current (last) employer?

LV (434A) Q29

Yes No

1	1	1
2	2	2

Ask (a)
Go to 30

(a) Have you used any luncheon vouchers in the last 7 days?

LVUSED (434B) Q29A

Yes No

1	1	1
2	2	2

Ask (i)-(ii)
Go to 30

(i) How many have you used in the last 7 days?

LVNOS (444)	Q29A1
-------------	-------

(ii) What was the value of each voucher used?

LVVAL (445)	Q29A2
-------------	-------

30 Have you received any free meals from your employer in the last 7 days?

FREE MEAL (445A) Q30

Yes No

1	1	1
2	2	2

Ask (a)
Go to 31

(a) How many free meals have you received in the last 7 days?

EMPFRE EM (446)	Q30A
-----------------	------

31 Has your employer supplied you with any free food e.g. milk, potatoes, in the last 7 days?

EMPFREEF (447) Q31

Yes No

1	1	1
2	2	2

Ask (a)
Go to 27

(a) What was the free food supplied in the last 7 days, and how much was supplied?

Milk (gallons)

EMPFM 11x (448)	Q31A1
-----------------	-------

Eggs (dozens)

EMPFEG GS (449)	Q31A2
-----------------	-------

Potatoes (cwts)

EMPFPT S (450)	Q31A3
----------------	-------

EMPFOTH (451) Q31A4 Other

1	1	1
---	---	---

Specify on left

Per. no. specify food quantity

OFF USE	EMPFVAL (452A) Q31A5		
---------	----------------------	--	--

Per. no. specify food quantity

OFF USE	EMPROVA 2 (452B) Q31A6		
---------	------------------------	--	--

Per. no. specify food quantity

OFF USE	EMPROV A3 (452C) Q31A7		
---------	------------------------	--	--

See 32

To all self employed (coded 2 at 1)*

*Include unemployed (coded 3 or 4 at 1(b)) whose last job was as self-employed.

Exclude mail order agent or babysitter (see 81)

Per. No.	Per. No.	Per. No.

£	p	£	p	£	p
N		N		N	

DNA not self employed →

- Go to 45

38 How much net profit (or loss) did you receive from your business or profession in the last 12 months for which you have information, that is after deducting all expenses and wages but before deducting income tax, N.I. contributions or money drawn for your own use?

SEPROAT (464)
Q38 1

Profit →

--	--	--	--	--	--

- Go to 41

SENILPRO (464A)
Q38 2

Nil Profit →

1		1		1	
---	--	---	--	---	--

SELOSS (470A)
Q38 3

Loss →

--	--	--	--	--	--

- Go to 39

Income covering less than a year is acceptable if business is newly established

SEPRLOOK (470B)
Q38 4

DK →

1		1		1	
---	--	---	--	---	--

SESUBINC (471) Q38 5

--	--	--	--	--	--

OFF. USE

* SESUBHRS (477A)
Q38 6

--	--	--	--	--	--

OFF. USE

* CODING FRAME

MORE THAN 30 HRS PER WEEK - 1

30 HRS PER WEEK OR LESS - 2.

To self employed -
except those giving a profit at 38

30 Do you draw sums of money or cheques regularly
from the business for your own use?

Per No	Per No	Per No

SEREGS(471B)Q39

Yes →
No →

£	p	£	p	£	p
1		1		1	
2		2		2	

- Ask (a)-(d)
- Go to 40

SEREGSUM(465)Q39A

(a) How much on average do you take out each week/month?

--	--	--	--	--	--

SERSUMDK(465A)
Q39A1

DK →

1		1		1	
---	--	---	--	---	--

- Go to 40

(b) How long a period did this cover?

PERC465(466)

Enter period
code →

7					
---	--	--	--	--	--

If code 9,
specify period.

Q39B

(c) In addition to the amount you have
just told me about do you draw sums
of money or cheques from your business for
the payment of any domestic bills?

SEDOM(466A)
Q39c

Yes →
No →

1		1		1	
2		2		2	

- Ask (i)-(ii)
- Go to (d)

(i) How much on average do you take out
each week/month?

SEDOMBIL(467)Q39c1

--	--	--	--	--	--

PERC467(468)Q39c2

(ii) How long a period did this cover?

Enter period
code →

--	--	--	--	--	--

If code 9,
specify period.

SERESPR(468A)

(d) After deducting the amount you withdrew and
other expenses how much profit (or loss) before
tax did your share of the business yield in the
most recent 12 months for which you have figures?

Q3901

SERESNPR(468B)Q3902

Profit →

Nil profit →

--	--	--	--	--	--

1		1		1	
---	--	---	--	---	--

- Go to 42

SERESLOS(468c)Q3903

Loss →

SERESDK(468D)Q3904

DK →

--	--	--	--	--	--

1		1		1	
---	--	---	--	---	--

- Ask 40

PERIOD CODES -					
Week	-1	Four weeks	-4	Six months	-7
Two weeks	-2	Calendar month	-5	Year	-8
Three weeks	-3	Three months	-6	Other period	-9

To all self employed except those not self employed for last 13 weeks

Per No	Per No	Per No

DNA Not self employed for last 13 weeks (see Q 4)

N	N	N
---	---	---

Go to 45

Show prompt card D

44 What proportion of your expenditure relating to this accommodation only which you have already told me about have you claimed /will you be claiming as a business expense for tax purposes?

* Where 38 has been answered the proportions claimed in that year are preferable to future claims. Actual amounts of expenses refunded can be given if proportions cannot

Relating to this accommodation only

SEBUSEX1(478A) Q44 1

Vehicle expenses (61 63 64 68-75) Ring code and enter %

1	1	1
SEBEP A1(479A) Q44 2.		

SEBUSEX2(478B) Q44 3

Rent (18) Ring code and enter %

2	2	2
SEBEP CA2(479B) Q44 4		

SEBUSEX3(478C) Q44 5

Mortgage payments (33 or 36) Ring code and enter %

3	3	3
SEBEP CA3(479C) Q44 6		

SEBUSEX4(478D) Q44 7

Rates (24) Ring code and enter %

4	4	4
SEBEP CA4(479D) Q44 8		

SEBUSEX5(478E) Q44 9

Water/sewerage rate (29) Ring code and enter %

5	5	5
SEBEP CA5(479E) Q44 10		

SEBUSEX6(478F) Q44 11

Insurance on structure (42 or 43) Ring code and enter %

6	6	6
SEBEP CA6(479F) Q44 12		

SEBUSEX7(478G) Q44 13

Gas (53-60) Ring code and enter %

7	7	7
SEBEP CA7(479G) Q44 14		

SEBUSEX8(478H) Q44 15

Electricity (53-60) Ring code and enter %

8	8	8
SEBEP CA8(479H) Q44 16		

SEBUSEX9(478I) Q44 17

Telephone (49) Ring code and enter %

9	9	9
SEBEP CA9(479I) Q44 18		

SEBUSE10(478J) Q44 19

Anything else Ring code and enter %

10	10	10
SEBEP CA10(479J) Q44 20		

Specify on left and see below

Per No Specify
Per No Specify
Per No Specify

SEBUSE11(478K) Q44 21

No expenditure claimed

11	11	11
----	----	----

See below

If subsidiary job as employee go back to 32

If subsidiary job as self employed ask 38 etc using margin at left for answers

Ask 45

10

To all

Are you **at present** receiving any of these state benefits?

Show prompt card 1

Per. No.	Per No	Per. No.

Exclude Supplementary benefit from 45 to 52

Exclude Christmas bonus from 45 to 52

	£	p	£	p	£	p	
45 Child benefit Include one parent benefit	1		1		1		- Ask (a) & (b) - Go to 46
	2		2		2		
(a) What was the amount of benefit you last received?	CHILD BEN (484A) Q45						
(b) How long a period did this cover?	Enter period code		PERC 485 (486)		Q45 B		If code 9, specify period
46 N.I. retirement pension Old person's pension Include additional pension	1		1		1		- Ask (a) & (b) - Go to 47
	2		2		2		
	3		3		3		
(a) What was the amount of benefit you last received?	NI PEN (487) Q46						
(b) How long a period did this cover?	Enter period code		PERC 488 (489)		Q46 B		If code 9, specify period
47 N.I. Widow's benefits (Include earnings-related supplement) Enter War Widow's benefit at 67	1		1		1		- Ask (a) & (b) - Go to 48
	2		2		2		
(a) What was the amount of benefit you last received?	NI PEN AMT (488) Q46A						
(b) How long a period did this cover?	Enter period code		PERC 490 (491)		Q47 B		If code 9, specify period
48 War disability pension and related State allowance	1		1		1		- Ask (a) & (b) - Go to 49
	2		2		2		
(a) What was the amount of benefit you last received?	WARDIS (491A) Q48						
(b) How long a period did this cover?	Enter period code		PERC 492 (493)		Q48 B		If code 9, specify period

PERIOD CODES:-

Week	- 1	Four weeks	- 4	Six months	- 7
Two weeks	- 2	Calendar month	- 5	Year	- 8
Three weeks	- 3	Three months	- 6	Other period	- 9

Ask 49

57

To all
Show prompt card 2

49 Mobility allowance **MOBILITY (493A) Q49**

Yes →
No →

Per No	Per No	Per No
£ o	£ p	£ p
1	1	1
2	2	2

- Ask (a) & (b)
- Go to 50

(a) What was the amount of benefit you last received? **MOBLAMT (494) Q49A**

--	--	--	--

(b) How long a period did this cover? Enter period code → **PERCH4 (495) Q49 B**

If code 9, specify period

50 Severe Disablement Allowance **SEVDISAL (495A) Q50**

Yes →
No →

Per No	Per No	Per No
£ o	£ p	£ p
1	1	1
2	2	2

- Ask (a) & (b)
- Go to 51

(a) What was the amount of benefit you last received? **SEVDAMT (495B) Q50A**

--	--	--	--

(b) How long a period did this cover? Enter period code → **PERCH495 B (495C) Q50 B**

If code 9, specify period

51 Attendance allowance **ATTENDNC (498A) Q51**

Yes →
No →

Per No	Per No	Per No
£ o	£ p	£ p
1	1	1
2	2	2

- Ask (a) & (b)
- See 52

(a) What was the amount of benefit you last received? **ATTENDAM (499) Q51A**

--	--	--	--

(b) How long a period did this cover? Enter period code → **PERCH99 (500) Q51 B**

If code 9, specify period

To all except HoH

52 Housing benefit rebate/allowance from your local authority or local DHSS office **HBNOTHOH (500A) Q52**

Yes →
No →
DNA, HoH →

Per No	Per No	Per No
£ o	£ p	£ p
1	1	1
2	2	2
3	-	-

- Ask (a)-(c)
- Go to 53

(a) What was the amount of housing benefit/rebate/allowance you last received? **HBNOTAMT (500B) Q52A**

--	--	--	--

(b) How long a period did this cover? Enter period code → **PERC500 B (500C) Q52 B**

If code 9, specify period

(c) Did the amount you mentioned include Housing Benefit Supplement? **HBSNOT (500D) Q52c**

Yes →
No →

Per No	Per No	Per No
£ o	£ p	£ p
1	1	1
2	2	2

- Ask (l)
- Go to 53

(l) How much was included? **HBSNOTAM (500E) Q52c**

--	--	--	--

Ask 53

To all
Show prompt card 3

Per. No.	Per. No.	Per. No.

53 In the last 12 months, that is since **SSP (500F) Q53**
have you received Statutory Sick Pay
from your employer?

Yes →
No →

£	p	£	p	£	p
1		1		1	
2		2		2	

- Ask (a) & (b)
- Go to 54

(a) For how many weeks did you receive Statutory Sick Pay? **INA 278 (501) Q53A**

(b) Are you receiving Statutory Sick Pay at present? **INA 279 (503) Q53B**
Yes →
No →

1		1		1	
2		2		2	

(In addition to Statutory Sick Pay), have you received any of these State benefits in the last 12 months, that is since?
*** ENTER 1 IF S.S.P IN LAST PAY**

INA 234 (503A)	Q53 B1	OFF. USE
-----------------------	---------------	----------

Exclude Supplementary benefit from 54 to 55
Exclude Christmas bonus from 54 to 55

54 N.I. sickness benefit

NI SICK (504) Q54
Yes →
No →

1		1		1	
2		2		2	

- Ask (a)-(d)
- Go to 55

(a) For how many weeks did you receive this benefit? **INA 224 (505) Q54A**

(b) What was the amount of benefit you last received? **NI BEN (506) Q54B**

(c) How long a period did this cover? Enter period code →

PERC 506 (507)	Q54C

If code 9, specify period

(d) Are you receiving benefit at present? **INA 225 (508) Q54D**
Yes →
No →

1		1		1	
2		2		2	

Ask 55

PERIOD CODES:-					
Week	- 1	Four weeks	- 4	Six months	- 7
Two weeks	- 2	Calendar month	- 5	Year	- 8
Three weeks	- 3	Three months	- 6	Other period	- 9

To all

CONPEN (509) Q55

55 Contributory invalidity pension (Include invalidity allowance and additional pension)

Yes
 No

Per No	Per No	Per No
£ p	£ p	£ p

1	1	1
2	2	2

- Ask (a)-(d)
 - See 56

(a) For how many weeks did you receive this benefit?

INA258	(S10)	Q55A
--------	-------	------

(b) What was the amount of benefit you last received?

CONBREC (S11)
 Q55B

N		
---	--	--

(c) How long a period did this cover?

Enter period code

PERCS11	(S12)	Q55C
---------	-------	------

If code 9, specify period

(d) Are you receiving benefit at present?

Yes
 No

INA259 (S13)
 Q55D

1	1	1
2	2	2

To those coded Yes to 53 or 54 or 55

Others DNA

N	N	N
---	---	---

- See 57

56 Are/were you being paid by your employer as well as receiving Statutory Sick Pay and/or NI Sickness Benefit, Contributory Invalidity Pension?

PAIDSICK (S14) Q56

Yes
 No
 DK

1	1	1
2	2	2
3	3	3

- Ask (a)
 - See 57

(a) Are you being paid every week by your employer or Running prompt for only some of the weeks that you were receiving?

1	1	1
INA272	(S15)	Q56A
2	2	2

- See 57
 - Ask (i)

(i) For how many weeks are/were you being paid?

INA267	(S16)	Q56A1
--------	-------	-------

See 57

PERIOD CODES -		
Week	- 1	Four weeks - 4
Two weeks	- 2	Six months - 7
Three weeks	- 3	Calendar month - 5
		Year - 8
		Three months - 6
		Other period - 9

To all men aged under 66
women aged under 61

Per No	Per No	Per No
£ p	£ p	£ p
N	N	N

GOVTRSCH (516A) Q 57

57 Have you taken part in a government training scheme in the last 12 months?

DNA: Others

Yes
No

1	1	1
2	2	2

- Go to 58

- Ask (a)-(e)

- Go to 58

(a) Was it

Training Opportunities Scheme (TOPS)
or Youth Training Scheme (YTS)?
Other

INA246 (517)

Q 57A

1	1	1
2	2	2
3	3	3

- Specify on left

Per. No. Specify scheme

(b) For how many weeks did you take part in the scheme/programme?

INA 249	(518)	Q 57 B
---------	-------	--------

(c) What was the amount of allowance you last received?

TRAINBEN (519)

Q 57c			
-------	--	--	--

(d) How long a period did this cover?

Enter period code

PERCS19	(520)	Q 57 D
---------	-------	--------

If code 9, specify period

(e) Are you receiving benefit at present?

Yes
No

INA273 (521) Q 57 E

1	1	1
2	2	2

Ask 58

To all

Show prompt card 4

In the last 12 months have you received any of the following benefits?

Exclude Supplementary benefit from 58 to 60
Exclude Christmas bonus from 58 to 60

58 Industrial injury disablement pension

(Enter Industrial Widow's pension at 67)

INDDIS (521A) Q 58

Yes
No

1	1	1
2	2	2

- Ask (a)-(d)

- Go to 59

(a) For how many weeks did you receive this benefit?

INA205	(522)	Q 58 A
--------	-------	--------

(b) What was the amount of benefit you last received?

INDDISBN (523)

Q 58 B

--	--	--	--

(c) How long a period did this cover?

Enter period code

PERCS23	(524)	Q 58 c
---------	-------	--------

If code 9, specify period

(d) Are you receiving benefit at present?

Yes
No

INA238 (525)

Q 58 D

1	1	1
2	2	2

Ask 59

PERIOD CODES:-

Week	-1	Four weeks	-4	Six months	-7
Two weeks	-2	Calendar month	-5	Year	-8
Three weeks	-3	Three months	-6	Other period	-9

	Per No	Per No	Per No
	£ p	£ p	£ p
UNEM BEN (525A) Q59			
59 N I Unemployment Benefit	Yes → 1	1	1
Exclude TOPS/YTS and other training allowances	No → 2	2	2
(a) For how many weeks did you receive N I unemployment benefit?	INA222	(526)	Q59A
(b) What was the amount of benefit you last received?	UBPAYAMT (527) Q59B		
(c) How long a period did this cover?	PERC527	(528)	Q59c
(d) Are you receiving benefit at present?	Yes → 1	1	1
(If coded 1 at 1(a) check whether on short time working, or if coded 6 or 7 at 1(b) recode as 3 at 1(b))	No → 2	2	2
FIS (529A) Q60			
60 Family income supplement	Yes → 1	1	1
	No → 2	2	2
(a) For how many weeks did you receive this benefit?	INA256	(530)	Q60A
(b) What was the amount of benefit you last received?	FIS BEN (531) Q60B		
(c) How long a period did this cover?	PERC531	(532)	Q60C
(d) Are you receiving benefit at present?	Yes → 1	1	1
	No → 2	2	2
SUP BEN (533A) Q61			
61 Supplementary benefit	Yes → 1	1	1
Exclude Housing Benefit	No → 2	2	2
Include direct payment of gas and electricity			
(a) For how many weeks did you receive this benefit?	INA228	(534)	Q61A
(b) What was the amount of benefit you last received?	SUPBAMT (535) Q61B		
(c) How long a period did this cover?	PERC535	(536)	Q61c
(d) Are you receiving benefit at present?	Yes → 1	1	1
	No → 2	2	2
INA229 (537) Q61D			
(d) Are you receiving benefit at present?	Yes → 1	1	1
	No → 2	2	2

Ask (a)-(d)
Go to 60

If code 9, specify period

Ask b0

Ask (a)-(d)
Go to 61

If code 9, specify period

Ask 61

Ask (a)-(d)
See 62

If code 9 specify period

See 62

To women aged under 51 only

Show prompt card 5

in the last 12 months have you received any of the following benefits?

DNA. Women aged 51 & over and all men →

Per. No.	Per. No.	Per. No.
£ p	£ p	£ p
N	N	N

- Go to 65

62 Maternity allowance

MATALL (537A) Q62

Yes →
No →

Exclude maternity pay (see 64)

1	1	1
2	2	2

- Ask (a)-(d)

- Go to 63

(a) For how many weeks did you receive this benefit?

INA239	(538)	Q62A
--------	-------	------

(b) What was the amount of benefit you last received?

MATALAMT (539) Q62B

--	--	--	--

(c) How long a period did this cover?

Enter period code →

PERCS39	(540)	Q62C
---------	-------	------

If code 9, specify period

(d) Are you receiving benefit at present?

INA240 (541) Q62D

Yes →
No →

1	1	1
2	2	2

- Ask 63

63 N.I. Maternity grant

MATGRANT (541A) Q63

Yes →
No →

1	1	1
2	2	2

- Ask (a)

- Go to 64

(a) What was the total amount of grant you have received in the last 12 months?

MATGRAMT (542) Q63A

--	--	--	--

Ask 64

64 Maternity pay from your employer under the Employment Protection Act

INA274 (543) Q64

Yes →
No →

1	1	1
2	2	2

- Ask 65

PERIOD CODES:-		
Week	- 1	Four weeks - 4
Two weeks	- 2	Calendar month - 5
Three weeks	- 3	Three months - 6
		Six months - 7
		Year - 8
		Other period - 9

To all
Show prompt card 6

In the last 12 months
have you received any
of the following benefits?

65 N1 Death grant

DEAGRANT (543A) Q65

Yes →
No →

Per No		Per No		Per No	

£	p	£	p	£	p
1		1		1	
2		2		2	

Ask (a)
Go to 66

DEAGRANT (544) Q65A

(a) What was the total amount of
grant you have received in
the last 12 months?

--	--	--	--	--	--

Ask 66

66 Christmas Bonus?

PXMASBON (549A) Q66

Yes →
No →

£	p	£	p	£	p
1		1		1	
2		2		2	

Ask (a)
Go to 67

PXMBONAM (550) Q66A

(a) What was the total amount of
Christmas Bonus you have received in the
last 12 months?

--	--	--	--	--	--

Ask 67

67 Any N1 or State benefit
not mentioned earlier?

OTHBEN (545) Q67

Yes →
No →

Include Job Release Allowance
War Widows Benefit
Industrial Widows Pension

£	p	£	p	£	p
1		1		1	
2		2		2	

Specify on
left and
ask (a)-(d)
Go to 68

Per No Specify
Per No Specify
Per No Specify

(a) What was the total number of weeks
you have received this benefit?

INA232	(546)	Q67A
--------	-------	------

(b) What was the amount of benefit
you have last received?

OTHBENAM (547) Q67B

--	--	--	--	--	--

(c) How long a period did this cover?

Enter period
code

PERCS47	(548)	Q67C
---------	-------	------

If code 9,
specify period

(d) Are you receiving benefit at present?

INA233 (549) Q67D

Yes →
No →

£	p	£	p	£	p
1		1		1	
2		2		2	

Ask 68

PERIOD CODES -					
Week	-1	Four weeks	-4	Six months	-7
Two weeks	-2	Calendar month	-5	Year	-8
Three weeks	-3	Three months	-6	Other period	-9

To all

In the last 12 months have you received any of the following benefits?

Per No	Per No	Per No

TUSICKPY (553) Q 68

68 Trade union sick pay or strike pay, Friendly Society benefits, benefits under private sickness scheme, accident insurance, hospital savings scheme? (Exclude lump sum benefits and pension)

Yes No

£	p	£	p	£	p
1		1		1	
2		2		2	

- Ask (a)-(d)
- Go to 69

(a) For how many weeks did you receive this benefit?

INA230	(554)	Q 68 A
--------	-------	--------

(b) What was the amount of benefit you last received? TUSICBEN (555) Q 68 B

--	--	--	--	--	--

(c) How long a period did this cover?

Enter period code

PER555	(556)	Q 68 c
--------	-------	--------

If code 9, specify period

INA231 (557) Q 68 D

(d) Are you receiving benefit at present?

Yes No

1	1	1
2	2	2

Ask 69

Show Prompt Card E

69 Are you at present receiving a pension from a previous employer, pension from a trade union or Friendly Society, an annuity or personal pension payment from a trust or covenant?

EMPPEN (557A) Q 69

Yes No

1	1	1
2	2	2

Ask (a)-(d) and 70 on page 27
- Go to 71

PERIOD CODES:-					
Week	- 1	Four weeks	- 4	Six months	- 7
Two weeks	- 2	Calendar month	- 5	Year	- 8
Three weeks	- 3	Three months	- 6	Other period	- 9

PAB To staple to page 40

27(40)

Interviewer Use		
Mr	Ms	His

69 (cont d)

Individuals

Record details of income received

Employee pension from (a) Central or Local Govt Armed Forces Nationalised Industry or other previous employers?

(b) Pension as a member of a Trade Union or Friendly Society?

(c) Annuity and personal pension?

(d) Payment from trust or covenant?

(551 B) Q691

EMPPERNO

EMPTNO (551C) Q692

TYEMPPEN (558) Q693

EMPPENRV (560) Q694

PERC560 (561) Q695

Per No	Item No	Off Use	Last payment		Enter period code	If code 9 spec f, period	Was tax deducted at source?		Amount of tax deducted at source		Was last payment	
			£	p			Y	N	£	p	before	after
	1	1									1	2
	2	1									1	2
	3	1									1	2
	4	1									1	2
	1	2										
	2	2										
	3	2										
	1	3									1	2
	2	3									1	2
	3	3									1	2
	1	4										2
	2	4									1	2
	3	4									1	2

EMPPENTT (563) Q698

See 70

To all at present receiving an employee pension (coded Yes 1 at 69 (p 26) and answering at (a) above)

DNA Not receiving pension →

DO NOT KEY	DO NOT KEY	DO NOT KEY
Per No	Per No	Per No
N	N	N

70 (Apart from tax) were there any other deductions from your last pension payment?

INB351 (563A) Q701

Per No	Purpose of deductions (probe fully)	Amount		Was deduction made at source?		Was last pension payment before/after deductions?	
		£	p	Yes	No	before deductions?	after deductions?
				Y	X	B	A
				V	X	B	A
				Y	X	S	A

Ask 71

To all
Show prompt card E

71 Do you have now or have you had in the last 12 months private savings accounts with any of the banks or societies shown on this card?

SAVINGS (574)

Q71

Yes →
No to all →

Per No	Pe No	Per No

£	p	£	p	£	p
1		1		1	
2		2		2	

- Ask (a)
- Go to 73

(a) What savings accounts did you have?

National Savings Bank (Post Office)

(i) Ordinary Account(s) SAVTYPE1 (575) Q71A1

(ii) Investment Account(s)? SAVTYPE2 (575A) Q71A2

Trustee Savings Bank? SAVTYPE3 (575B) Q71A3

(Ordinary Savings Account(s) and Investment Deposit Account(s))

Building Society? SAVTYPE4 (575C) Q71A4

High Street Banks? SAVTYPE5 (575D) Q71A5

(Deposit and Savings Account(s)) SAVTYPE6 (575E) Q71A6

Any other savings banks or societies?

1	1	1
2	2	2
3	3	3
4	4	4
5	5	5
6	6	6

Ask 72 for each account held

Specify on left and ask 72

Per No Specify
Per No Specify
Per No Specify

72 How much interest have you received or been credited with from each of your account(s) past and present in the last 12 months that is since ?

Joint accounts - enter in one person number column only

SAVINT1 (575F) Q72A1

(a) National Savings Bank (Post Office)

(i) Ordinary Account(s)? Ring code and enter interest

SAVINT2 (575G) Q72A3

(ii) Investment Account(s)? Ring code and enter interest

SAVINT3 (575H) Q72B1

(b) Trustee Savings Bank? (Ordinary Savings Account(s) and Investment Deposit Account(s)) Ring code and enter interest

SAVINT4 (575I) Q72C1

(c) Building Society? Ring code and enter interest

SAVINT5 (575J) Q72D1

(d) High Street Banks? (Deposit and Savings Account(s)) Ring code and enter interest

SAVINT6 (575K) Q72E1

(e) Any other savings banks or societies? Ring code and enter interest

1	1	1
SAVAMIN 1 (576)	Q72A2	
2	2	2
SAVAMIN 2 (576A)	Q72A4	
3	3	3
SAVAMIN 3 (576B)	Q72B2	
4	4	4
SAVAMIN 4 (576C)	Q72C2	
5	5	5
SAVAMIN 5 (576D)	Q72D2	
6	6	6
SAVAMIN 6 (576E)	Q72E2	

Ask 73

Per No	Per No	Per No

Show prompt card F

73 At present do you have any money in any of the following?

INVEST (576F)
Q73

Yes
 No to all

1	1	1
2	2	2

- Ask (a)
- Go to 74

(a) In which savings do you have money?

Prompt all

- Index linked National Savings Certificates
- Fixed Interest National Savings certificates
- Save As You Earn (National Savings) **Include all issues**
- Save As You earn (Building Societies) **Include all issues**
- Premium Bonds
- National Savings Income Bonds
- National Savings Deposit Bonds

INV TYPE 1	(576G)	Q73 A1
INV TYPE 2	(576H)	Q73 A2
INV TYPE 3	(576I)	Q73 A3
INV TYPE 4	(576J)	Q73 A4
INV TYPE 5	(576K)	Q73 A5
INV TYPE 6	(576L)	Q73 A6
INV TYPE 7	(576M)	Q73 A7

Ask (b) for each savings held

Show prompt card G

(b) How much money do you have in ?
(Prompt savings coded above at 73)

Exclude interest

Index linked National savings Certificates

Fixed Interest National savings Certificates

Save As You Earn (National savings) **Include all issues**

Save As You Earn (Building Societies) **Include all issues**

Premium Bonds

National Savings Income Bonds

National Savings Deposit Bonds

- Ring code
- Enter code from prompt card G
- Ring code
- Enter code from prompt card G
- Ring code
- Enter code from prompt card G
- Ring code
- Enter code from prompt card G
- Ring code
- Enter code from prompt card G
- Ring code
- Enter code from prompt card G

ENTER CODE FROM PROMPT CARD G		
1	1	1
INVAMT1	(576N)	Q73B1
2	2	2
INVAMT2	(576O)	Q73B2
3	3	3
INVAMT3	(576P)	Q73B3
4	4	4
INVAMT4	(576Q)	Q73B4
5	5	5
INVAMT5	(576R)	Q73B5
6	6	6
INVAMT6	(576S)	Q73B6
7	7	7
INVAMT7	(576T)	Q73B7

Ask 74

To all
Show prompt card H

74 In the last 12 months, that is since _____ have you received or been credited with any of the following
Interest on **WAR LOAN (S18A) Q74A**
(a) British Savings Bonds or War loan? Yes No

Per No		Per No		Per No	
£	p	£	p	£	p
1		1		1	
2		2		2	

- Ask (i)
- Go to (b)

(i) What was the total interest over the last 12 months? _____

WAR AMT	(579)	Q74A1
---------	-------	-------

Interest and dividends on **UNITTRST (579A) Q74B**
(b) Unit trusts? Yes No

1		1		1	
2		2		2	

- Ask (i)
- Go to (c)

(i) What was the total interest and dividends over the last 12 months? _____

UNTRSTIN	(580)	Q74B1
----------	-------	-------

(c) Stocks, shares bonds, debentures, local authority securities or any other securities after deduction of tax at source? Yes No
STOCKSSH (580A) Q74C

1		1		1	
2		2		2	

- Ask (i)
- Go to (d)

(i) What was the total interest and dividends over the last 12 months? _____

STSSHINT	(581)	Q74C1
----------	-------	-------

Show prompt card J

(d) Stocks shares bonds debentures local authority securities or any other securities before deduction of tax at source? Yes No
STSHBEF (581A) Q74D

1		1		1	
2		2		2	

- Ask (i)
- Go to (e)

(i) What was the total interest over the last 12 months? _____

STSHBINT	(581B)	Q74D1
----------	--------	-------

(e) Interest from private loans? **PRINT (581C) Q74E** Yes No

1		1		1	
2		2		2	

- Ask (i)
- Go to 75

(i) What was the total interest over the last 12 months? _____

PRINTAM	(581D)	Q74E1
---------	--------	-------

Ask 75

75 In the last 12 months that is since _____ have you received rent from property (including the part of your accommodation you sub-let which you told me about earlier)? **RENTREC (581E) Q75** Yes No
at 13 Household Schedule

1		1		1	
2		2		2	

- Ask (a)
- Go to 76

(a) How much did you receive in the last 12 months before deducting income tax but after deducting all allowable expenses? **RENRECAM (582) Q75A**

RENRECAM	(582)	Q75A
----------	-------	------

Ask 76

76 In the last 12 months that is since _____ have you received any other unearned income? **UNEARNIN (582A) Q76** Yes No
Include income as sleeping partner in business if declared to Inland Revenue

1		1		1	
2		2		2	

- Specify on left and ask (a)
- Go to 77

Per No Specify
Per No Specify
Per No Specify

(a) How much have you received in the last 12 months? _____

UNEARNAM	(582B)	Q76A
----------	--------	------

Ask 77

To all
Show prompt card K

77 In the last 12 months, that is since have you received any of the following allowances shown on this card?

ALLOW (582c) Q77

Yes
No to all

	Per No	Per No	Per No
	£ p	£ p	£ p
1	1	1	1
2	2	2	2

- Ask (a)
- See 78

(a) What allowances have you received

Running prompt

- a regular allowance from a friend or relative outside the household
- a regular allowance from an organisation
- maintenance allowance or separation allowance
- an allowance from a local authority for a foster child
- an allowance from any other source for a foster child
- EEC training allowance?

Q77A. 1	1	1	1
AULTYPE (583) 2	2	2	2
3	3	3	3
4	4	4	4
5	5	5	5
6	6	6	6

- Ask (b) & (c)

Include - Allowance from member of the armed forces or merchant navy

Exclude - Allowance from spouse not a member of household or who is an absent spender

(b) How much was the last payment?

ALLRECOM (584)	QT1B
----------------	------

(c) How long a period did it cover?

- Week
- Fortnight
- Four weeks
- Calendar month
- Some other period

Q77C (585) PERC584	1	1
2	2	2
4	4	4
5	5	5
9	9	9

- If code 9, specify period

To a married person whose spouse is not a member of household or who is an absent spender (if coded 2 in col 5 or not ringed in column 9 of Schedule A, page 1)

DNA

SPOUSEAL (585A)

N	N	N
---	---	---

Go to 79

78 Have you received any allowances from your husband/wife while he/she has been away?

Q78

Yes
No

1	1	1
2	2	2

- Ask (a) & (b)
- Go to (c)

(a) How much in total allowances have you received from your husband/wife while he/she has been away?

SPOUSALRE (586) Q78A

--	--	--

(b) How long a period does this amount cover?

- Week
- Fortnight
- Four weeks
- Calendar month
- Some other period

Q78B (587) PERC586	1	1
2	2	2
4	4	4
5	5	5
9	9	9

- If code 9, specify period

(c) (In addition to the allowance mentioned), does your husband/wife pay direct any household expenses?

SPSALDIR (587A) Q78C

Yes
No

1	1	1
2	2	2

- Specify below
- Go to 79

Per. No.	Household expenses paid
SPALDIPD (588) Q78c1	

								OFF. USE
--	--	--	--	--	--	--	--	----------

To all

79 In the last 12 months that is since have you received any coke or coal from your present (or former) employer?

COAL (594)

Q79

Yes Coke

Yes Coal

No to both

Per No	Per No	Per No
£ p	£ p	£ p
1	1	1
2	2	2
3	3	3

- Go to (a)

- Go to (b)

- See 80

(a) What is the brand of coke or smokeless fuel you have mentioned?

Per No Specify
Per No Specify
Per No Specify

(b) What quantity of have you received in the last 12 months?

Lbs

Cwts

Tons

Other measure

COAL LBS (594A)	Q79B1
COAL CWT (594B)	Q79B2
COAL TONS (594C)	Q79B3
COAL OTH (594D)	Q79B4

- Specify on left

Per No Specify
Per No Specify
Per No Specify

(c) Was the provided free or did you have to pay something for it? Include haulage charges

FREE COAL (597) Q79c

Free

Pay something

1	1	1
2	2	2

- See 80

- Ask (i)

(i) How much did you pay including any haulage costs?

COAL PAY (598)	Q79c1
----------------	-------

- See 80

INB322 (771)	Q79c2	OFF USE
--------------	-------	---------

To all men aged 65 & over and women aged 60 & over DNA Others

N	N	N
---	---	---

- Go to 81

80 At present do you have an OAP concessionary pass permit tokens or tickets for bus travel (other than the weekly or season ticket you mentioned)?

CON BUS (598A) Q80

Yes

No

No concessionary bus travel provision in area

1	1	1
2	2	2
3	3	3

- Ask (a)

- Go to 81

(a) Is it a

CON BUSTY (599) Q80A

free bus pass or permit?

half fare bus pass or permit?

flat fare bus pass or permit?

bus tokens or bus tickets?

Any other type of concessionary OAP bus pass

1	1	1
2	2	2
3	3	3
4	4	4
5	5	5

- Go to 81

- Specify on left and ask 81

Per No Specify
Per No Specify
Per No Specify

NB If more than one scheme in local authority area establish

To all

81 During the last 12 months that is since have you received any money as a mail order agent or baby sitter?

MAILBABY (599A)

Q 81

Yes

No

Per. No.		Per. No.		Per. No.	
£	p	£	p	£	p
1		1		1	
2		2		2	
1		1		1	
2		2		2	
1		1		1	
2		2		2	
1		1		1	
2		2		2	

- Ask (a)-(c)

- Go to 82

(a) Was this as a

MAILORDE (600) Q81A

mail order agent

or as a baby sitter?

Ask (b) and (c)

(b) How much did you earn?

MLBABAMT (601) Q81B

(c) Are you doing this work at present?

INA275 (602) Q81C

Yes

No

Ask 82

To all

DIRTAX (606A) Q 82

82 During the last 12 months that is since have you paid any income tax direct to Inland Revenue?

Yes
 No

Per No		Pe No		Per No	
£	p	£	p	£	p
1		1		1	
2		2		2	

- Ask (a) & (b)
 - Go to 83

Exclude National Insurance contributions tax collected through PAYE deductions from wages or salary or deducted at source from income on investments, pensions and annuities

(a) How much did you pay direct in income tax?

DIRTAXAM (607) Q 82A

(b) What was the source of income on which you were taxed?

Per No Specify
 Per No Specify
 Per No Specify

83 Has Inland Revenue or DHSS refunded any income tax direct to you during the last 12 months?

Yes
 No

DIRTAXR (607A) Q 83

1		1		1	
2		2		2	

- Ask (a)-(c)
 - See 84

Exclude NI refunds and refunds included in wage or salary

(a) How much was refunded?

DIRTXRAM (608) Q 83A

(b) Was this a refund of tax deducted under PAYE?

Yes
 No

PAYEREF (609) Q 83B

1		1		1	
2		2		2	

(c) Was this refund received in respect of either unemployment or redundancy?

Yes
 No

REDNREF (610) Q 83c

1		1		1	
2		2		2	

- See 84
 - Ask (i)

(i) What was the reason for the refund? Specify below

Per No Specify
 Per No Specify
 Per No Specify

See 84

To all men under 66 and all women under 61 who are not employees (coded 2-7 at 1)

DNA

N		N		N	
---	--	---	--	---	--

- Go to 85

NICONT (482A) Q 84

84 Do you pay a regular National Insurance Contribution?

Yes
 No

Exclude lump sum payments, which go at 85

1		1		1	
2		2		2	

- Ask (a) & (b)
 - Go to 85

(a) How much was the last contribution you paid?

NICONTAM (483) Q 84A

(b) How long a period did this cover?

Week
 Fortnight
 Four weeks
 Calendar Month
 Some other period

PERC 483 (484) Q 84B

1		1		1	
2		2		2	
4		4		4	
5		5		5	
9		9		9	

- If code 9 specify period

Ask 85

To all

Per. No.	Per. No.	Per. No.

85 Have you paid any NI Contributions direct to Inland Revenue or Department of Health and Social Security during the last 12 months? **NIDIRECT (610A) Q85**

Yes
 No

£	p	£	p	£	p
1		1		1	
2		2		2	

- Ask (a)
 - Go to 86

Exclude: Deductions from wage or salary, or regular self employed, non-employed contributions

Include: Lump sum payments by Self employed (if proportion of profits) and lump sum back payments by Non-employed.

(a) How much did you pay? **DIRNIAM (611) Q85A**

(i) What was the reason for this direct payment?

Per. No. Specify
 Per. No. Specify
 Per. No. Specify

--	--	--	--	--	--

- Ask (i)

86 In the last 12 months, that is since, have you sent any money abroad to a private individual or to a charity?

Include both occasional gifts and regular allowances

CHARITY 1 (612A) Q861

Private individual
 Charity

CHARITY 2 (612B) Q862

No to both

1	1	1
2	2	2
3	3	3

- Ask (a)
 - See (a): ask (b)
 - Go to 87

CHARITY 3 (612) Q863

To those coded 1 at 86

TIMEABRD (613) Q86A

(a) Has had the person(s) lived abroad for more than 12 months?

Yes
 No
 DK

1	1	1
2	2	2
3	3	3

- Ask (i)
 - See (b)

(i) How much (in pounds) have you sent abroad to this person(s) in the last 12 months **ABRDAMT (614) Q86A1**

ABAMTDK (614A) Q86A2
 DK

1	1	1			

- See (b)

To those coded 2 at 86

CHARAMT (615) Q86B1

(b) How much (in pounds) have you sent abroad to this charity (charities) in the last 12 months?

CHAMTDK (615A) Q86B1
 DK

1	1	1			

- Ask 87

To all

87 During the last 12 months that is since have you received any money for odd jobs or any occasional fees for work or professional advice which we have not yet covered?

If job is a regular commitment do not enter at 87 instead relevant questions should be asked about employment or self employment

ODDJOBS (603) Q87

Yes →
No →

Per No	Per No	Per No
1	1	1
2	2	2

Record details in grid below - See 88

TO PUNCHERS	TO PUNCHERS	TO PUNCHERS
END KEYING THIS PERSON AND RETURN TO START OF SCHEDULE	END KEYING THIS PERSON AND RETURN TO START OF SCHEDULE	Key 87(a)

RECORD 57

(a) Record details below -

Enter each time job took place on a separate line

Per No	Item No	Description of work or advice	Amount of fee for each job		Period covered by fee ENTER PERIOD CODE	If code 9 specify period	Date(s) when job(s) took place Enter dates as two digit code			
			£	p			FROM Month Year	TO Month Year		
NO (603) Q87A1	1				PERC			AS	A6	
NO (603) Q87A2	2				604			Q87	Q87	
NO (603) Q87A3	3				(604A)			(605)	(606)	
ER NO (603) Q87A4	4				Q87A4			AR	D	
OP NO (603) Q87A5	5							ST	SEN	
	6							ODD	ODD	

OSITNO (603 B) Q87A2

OSAMT (604) Q87A3

PERIOD CODES -			
Week	- 1	Four weeks	- 4
Two weeks	- 2	Calendar month	- 5
Three weeks	- 3	Three months	- 6
		Six months	- 7
		Year	- 8
		Other period	- 9

See 88

RECORD 58

Ask about each dependent under 16.

Child's Per No.	Child's Per No.	Child's Per No.
CHPERSNO (617)	Q88	
ε p N	ε p N	ε p N
1 2	1 2	1 2
CHINCCON (616A) Q88B		
1 2	1 2	1 2
CHINCWKS (618)	Q88B1	
1 2 3 4 5 6 8 9	1 2 4 5 6 8 9	1 2 4 5 6 8 9
CHINCDIS (621) Q88E		
1 2 3	1 2 3	1 2 3

DNA. No dependents under 16

End of income schedule

88 Have any of your children received an income from any source such as earnings from a spare time job, interest on a child's bank account or income from a trust fund within the past 12 months?

CHILDINC (616) Q881

Yes
No

Ask (a)-(e)
Ask 89

(a) What kind of job or income?

CHINCCON (616A) Q88B

(b) Has he/she had this income throughout the past 12 months?

Yes
No

Go to (c)
Ask (l)

(l) For how many weeks has he/she had it?

CHINCWKS (618) Q88B1

(c) How much did he/she get last time?

CHINCAMT (619) Q88C

(d) How often does he/she get it?

Weekly
Fortnightly
Four weekly
Calendar monthly
Yearly
Some other period

If code 9, specify period

Ask (e)

(e) Does he/she usually

CHINCDIS (621) Q88E

dispose of (or save) it all him/herself
partly dispose of (or save) it and give the rest to you
give it all to you?

Ask 89

Show prompt card F

89 At present do any of your children under 16 have any money in any of the following?

CHINVEST (621 B)
Q 89

Yes →
No to all →

Child's Per No	Child's Per No	Child's Per No
1	1	1
2	2	2
N	N	N

- Ask (a)
End of income schedule

(a) In which savings do you have money?

- Index linked National Savings Certificates CHINVTY1 (621C) Q89A1 →
- Fixed Interest National Savings certificates CHINVTY2 (621D) Q89A2 →
- save As You Earn (National Savings) Include all issues CHINVTY3 (621E) Q89A3 →
- Save As You earn (Building Societies) Include all issues CHINVTY4 (621F) Q89A4 →
- Premium Bonds CHINVTY5 (621G) Q89A5 →
- National Savings Income Bonds CHINVTY6 (621H) Q89A6 →
- National Savings Deposit Bonds CHINVTY7 (621I) Q89A7 →

Ask (b) for each savings held

Show prompt card G

(b) How much money do your children have in (Prompt savings coded above at 89(a))

Exclude interest

Index linked National savings Certificates

Fixed Interest National savings Certificates

Save As You Earn (National savings) Include all issues

Save As You Earn (Building Societies) Include all issues

Premium Bonds

National Savings Income Bonds

National Savings Deposit Bonds

- Ring code →
- Enter code from prompt card G →
- Ring code →
- Enter code from prompt card G →
- Ring code →
- Enter code from prompt card G →
- Ring code →
- Enter code from prompt card G →
- Ring code →
- Enter code from prompt card G →
- Ring code →
- Enter code from prompt card G →

ENTER CODE FROM PROMPT CARD G		
1	1	1
CHINVA	m1 (621J)	Q89B1
2	2	2
CHINVA	m2 (621K)	Q89B2
3	3	3
CHINVAM	3 (621L)	Q89B3
4	4	4
CHINVAM	4 (621M)	Q89B4
5	5	5
CHINVAM	5 (621N)	Q89B5
6	6	6
CHINVAM	6 (621O)	Q89B6
7	7	7
CHINVAM	7 (621P)	Q89B7

End of income schedule

TO PUNCHERS	TO PUNCHERS	TO PUNCHERS
END KEYING THIS CHILD KEY NEXT CHILD	END KEYING THIS CHILD KEY NEXT CHILD	END KEYING THIS CHILD KEY PAGE 40

'Blank page'

**PAB: Please staple
page 27 to this page**

FAMILY EXPENDITURE SURVEY-1986

PAYMENT OF CREDIT CARD ACCOUNT

A payment made to a credit card company (e.g. Access or Barclaycard) is a different type of payment to the other payments recorded by you in the weekly personal spending diary.

As you know, the payment normally covers several items and can also include an amount towards an outstanding balance plus interest.

If you pay part or all of your account during the 7 days of record keeping, we would like you to copy the following details from your account.

As shown on account	{	<table border="0" style="width: 100%;"> <tr> <td style="width: 60%;">1. Name of credit card company</td> <td style="width: 5%;"></td> <td style="width: 35%;"></td> </tr> <tr> <td>2. Balance from previous statement (if any)</td> <td>£.....*</td> <td rowspan="7" style="border-left: 1px solid black; border-right: 1px solid black; vertical-align: middle; text-align: center;">↓</td> </tr> <tr> <td>3. Previous payment made</td> <td>£.....</td> </tr> <tr> <td>4. Balance brought forward (if shown on the statement)</td> <td>£.....</td> </tr> <tr> <td>5. Interest</td> <td>£.....</td> </tr> <tr> <td>6. Items shown on account - enter over page</td> <td></td> </tr> <tr> <td>7. Present } balance outstanding</td> <td>£.....*</td> </tr> <tr> <td>or New }</td> <td></td> </tr> </table>	1. Name of credit card company			2. Balance from previous statement (if any)	£.....*	↓	3. Previous payment made	£.....	4. Balance brought forward (if shown on the statement)	£.....	5. Interest	£.....	6. Items shown on account - enter over page		7. Present } balance outstanding	£.....*	or New }		
1. Name of credit card company																					
2. Balance from previous statement (if any)	£.....*	↓																			
3. Previous payment made	£.....																				
4. Balance brought forward (if shown on the statement)	£.....																				
5. Interest	£.....																				
6. Items shown on account - enter over page																					
7. Present } balance outstanding	£.....*																				
or New }																					

* If you have a credit balance shown on your account please write CR next to the amount when you copy it onto this form.

8. Payment made to credit card company during the week	£.....
9. Date of payment	

PLEASE TURN OVER

AREANUMC (C02) Q003
 SERNUMC (C03) Q004
 HHNUMC (C04) Q005
 PERSNDC (C05) Q006

Interviewer Use							EMP USE
Area	Ref. No.	Hld.	Est. No.	7	8	9	10
				1	2		

ITEMS SHOWN ON THIS CREDIT CARD ACCOUNT

CCNO (C07) Q008

CCTYPE (C06) Q007

Please write below, the description and cash price of the goods or services included in this account (eg Petrol £10.00) and the date acquired.

If you cannot remember the goods purchased please enter type of firm from which they were acquired eg garage, chemist, department store.

If any of the expenses are to be refunded or claimed as business expenses, please add "to be refunded or claimed" beside entry.

Should you have any problems filling in this form please let the interviewer know.

RECORD 116

Date acquired	Description of items bought If clothing please give sex of wearer, and if child the age	Item No.	Cash price of item		PLEASE LEAVE BLANK
			£	P	
	CCITEMNO (C08) Q009	1			
		2			
	CCASHPR (C09) Q0010	3			
		4			
		5			
	CCITCODE (C10) Q0011	6			
		7			
	CCQUAL (C11) Q0012	8			
		9			
		10			
		11			
		12			
		13			
		14			
		15			
		16			
		17			
		18			
		19			
		20			

FAMILY EXPENDITURE SURVEY - 1986

CI				
Interviewer use				
Area	Ser	Hid	Per No	7-day period
				1
				2

AREANUMD(002) Q003

SERNUMD(003) Q004

HHNUMD(004) Q005

PERSNOD(005) Q006

EXPAWK(006) Q007

Ref No

IN CONFIDENCE

All the particulars you give on this form will be treated in STRICT CONFIDENCE
Please do not put your name and address on it.

The interviewer will call again on

DAY	DATE	TIME

PLEASE CHECK PAGE 20

FOR INTERVIEWERS USE	
NO	X
YES	Y →
Credit card at Q 68 (S836A)	Credit card account
	Paid
	Not paid
	1
	2

DCCACCPD(007) Q008

HOW TO FILL UP THIS BOOKLET

1. This booklet should contain a complete record of everything which **you yourself** pay for: other members of your household have separate booklets.

2. Please include **everything** that you pay for during the seven days, whether it is paid for out of your own money, housekeeping, luncheon vouchers, money from a loan or any other source, and whether payment is by cash, cheque, postal order, giro cheque, or other means of payment.

3. Write down the actual payments you make during the seven days, even if the goods were obtained previously, or are going to be delivered later. Any goods ordered or delivered but **not** paid for during the seven days should not be included. If you buy anything by part exchange, please give the amount paid **after** deducting the amount allowed in part exchange.

4. Show each item, however small, **on a separate line** and the amount spent on it. Do not, for example, write 'vegetables' but show separately how much you spent on potatoes, cabbages, frozen beans, tinned peas and so on. Do not write £ and p. signs in columns.

5. If you ask someone else to buy things for you, and you pay for them, details of the purchases should be included in your own booklet.

6. **Hire Purchase.** If you **start** buying anything by instalments on any of the seven days, write down the amount and state that it is the first instalment, down payment, etc.
If during the seven days you pay instalments on any goods which you are already buying by instalments, write down **what** the article is and how much you pay.

7. **Budget Accounts, Clothing Clubs, Mail Order Clubs, etc.** If you pay anything **into** a budget account, clothing club, etc. during the seven days, please write each payment down with a description of the account or club into which it is paid. There is no need to record any goods you **obtain** from these clubs.

8. **Credit Cards.** If you have a credit card, eg Access, American Express, Barclaycard, Diners Club (exclude bankers cheque cards), please see sheet provided by interviewer regarding **payment** of credit card accounts. **Do not** record acquisitions by credit card in this booklet.

9. **Postal Orders.** If you buy a postal order please record it, noting its value and poundage on separate lines. Note beside the postal order the purpose for which it is to be used and the date it will be posted. See example page 5.

10. **Shopkeepers, Farmers.** If your household obtains any food or other goods from its own shop or farm, please write down what is obtained each day with its approximate value. If these goods were not paid for at the time also write 'own shop' or 'own farm' against each item.

11 **Meals, snacks soft drinks and other non alcoholic drinks bought and consumed away from home** Include any food or non alcoholic drinks bought and consumed outside the home. Non-alcoholic drinks include tea, coffee, milk, Horlicks etc. as well as fruit juices and other soft drinks. Even if these are taken on their own please record them here. Also please include breakfast, lunch, dinner, snacks, cups of tea or coffee if these are bought and consumed away from home. Meals, snacks or drinks bought at a workplace should be recorded separately from other meals.

For meals and snacks purchased at places other than at a workplace, please state whether you ate the food on or off the premises. See example page 5.

If you bought a snack please state what it comprised. See example page 5.

12 **Beer, wine and spirits and other alcoholic drinks bought and consumed away from home** Please include alcoholic drinks taken on their own at pubs, wine bars, clubs, as well as alcoholic drinks taken with meals. Alcoholic drinks taken home should be entered on the left hand page see 'beer' example page 4.

If you have alcoholic drinks with a meal please list these separately and indicate that they are taken with a meal, see example page 5.

Please specify the type of alcoholic drink eg beer, wine, sherry, vermouth, port, spirits, cider, perry, etc.

13 **Take-away meals brought home** Please record on the left hand page any take-away food which you bring home to eat, see fish and chips in example, page 4. Also include Meals on Wheels.

Please note beside the entry if the meal was served hot.

14 **Take-away food consumed away from home** Any take-away food which is either consumed on the premises of the take-away food shop or off the premises but not taken home should be recorded in the Meals out section on the right hand page.

If consumed off the premises please note beside entry if the food was served hot.

15 **Holiday Expenses** Please say whether holiday is in this country or abroad. (a) If in England, Wales, Scotland or Northern Ireland give payments during the 7 days covered by this record in as much detail as possible, if it is impossible to give each item separately a single heading (eg hotel bill) will do. (b) If in the Channel Islands, the Isle of Man, the Irish Republic or abroad please do not itemise the expenses, but give the total amount spent in the days covered by this booklet and the country where the holiday is spent.

16 **Gifts and Presents** Please say what is bought, and record it on the day of purchase. If money is given say that it is a present of money and who received it, for example, 'Present of money to niece', 'Pocket money to son', or 'Money to daughter away at university'. In particular please distinguish whether money is given to a member of the household or to someone outside the household.

17 **Clothing** For any clothing or footwear including gifts to people please say for whom the item is bought, also the sex and age eg shoes for son aged 10 see example, page 5.

18 **Betting** If you make any bets during the seven days covered by this booklet please state what they are (sweepstake, bookmaker, totalisator, Bingo, lottery etc) and give the amounts. If you receive any winnings during the seven days please give details in question 2 on page 20.

Please look through the list shown at the end of this booklet it may remind you of items which you may have forgotten to record.

Please use page 23 for any notes you may wish to make for any explanation of your purchases.

EXAMPLE PAGE

FOOD and drink brought home (except take-away meals).
Include alcoholic drinks and soft drinks brought home.

Lamb (fresh)

4 25

Peas (tinned)

25

Peaches (fresh)

42

Cod (frozen)

75

Apple Pie

45

Beer

1 96

Please leave blank

Take-away meals brought home, eg fish and chips, take-away Chinese food,
Meals on Wheels, etc.

Fish and Chips (Hot)

1 85

EXAMPLE PAGE

Please write each item on a separate line

Meals, snacks and non-alcoholic drinks (including soft drinks) bought and consumed away from home Include tips and service charge

(1) Bought at workplace canteen staff dining room, etc

Snack Cheese Roll
Cup of tea

(2) Bought at cafe, restaurant, hotel, fish and chip shop, sandwich bar, public house, school shop, tuck shop, cinema, etc

Meal out (incl tips)
Bar of chocolate
Toasted Cheese sandwich (hot)

CONSUMED	
ON PREMISES	OFF PREMISES
RING	
①	2
1	②
1	②
1	2

Amount paid		Please leave blank
£	p	
	30	
	20	
15	00	
	25	
	50	
4	50	
	90	
	07	
	50	
50	00	
17	99	
	50	
	20	
8	78	
16	00	
		ALSO SEE PAGE 20

Beer, wine, spirits and other alcoholic drinks bought and consumed away from home

Wine (with meal)
Beer

Cigarettes and tobacco, Newspapers, Magazines, Books, Postage

Matches

Fuel and Light (including payments into slot meters), Household goods, Cleaning materials, Furniture

Travel by rail, bus, air, taxi, Motor vehicles (purchase, petrol, oil and repairs), Cycles etc

Bus fare

Clothing, Clothing materials and Footwear

Jacket for self
Shoes for son aged 10

Any other payments made to-day, with full details, e.g. domestic help, entertainment, hairdressing, holidays, toiletries

Postal Order - football pools - posted 15th Sept -
Poundage
Present - doll
Video recorder - monthly rental

FIRST DAY (continued)

	Amount paid			Please leave blank												
	£	p														
<p style="text-align: center;"><i>Please write each item on a separate line</i></p> <p>Meals, snacks and non-alcoholic drinks (Including soft drinks) bought and consumed away from home Include tips and service charge</p> <p>(1) Bought at workplace, canteen, staff dining room, etc</p> <p>(2) Bought at cafe, restaurant, hotel fish and chip shop, sandwich bar, public house, school shop, tuck shop, cinema, etc</p> <table border="1" style="margin-left: auto; margin-right: auto; border-collapse: collapse;"> <thead> <tr> <th colspan="2" style="text-align: center;">CONSUMED</th> </tr> <tr> <th style="text-align: center;">ON PREMISES RING</th> <th style="text-align: center;">OFF PREMISES</th> </tr> </thead> <tbody> <tr> <td style="text-align: center;">1</td> <td style="text-align: center;">2</td> </tr> <tr> <td style="text-align: center;">1</td> <td style="text-align: center;">2</td> </tr> <tr> <td style="text-align: center;">1</td> <td style="text-align: center;">2</td> </tr> <tr> <td style="text-align: center;">1</td> <td style="text-align: center;">2</td> </tr> </tbody> </table>	CONSUMED		ON PREMISES RING	OFF PREMISES	1	2	1	2	1	2	1	2				
CONSUMED																
ON PREMISES RING	OFF PREMISES															
1	2															
1	2															
1	2															
1	2															
Beer, wine spirits and other alcoholic drinks bought and consumed away from home																
Cigarettes and tobacco Newspapers, Magazines, Books, Postage																
Fuel and Light (including payments into slot meters), Household goods, Cleaning materials, Furniture																
Travel by rail, bus, air, taxi, Motor vehicles (purchase, petrol, oil and repairs), Cycles etc																
Clothing, Clothing materials and Footwear																
Any other payments made to-day, with full details, e.g domestic help, entertainment, hairdressing, holidays, toiletries																

ALSO SEE
PAGE 20

SECOND DAY (continued)

Please write each item on a separate line

Meals, snacks and non-alcoholic drinks (including soft drinks) bought and consumed away from home Include tips and service charge

(1) Bought at workplace, canteen, staff dining room, etc

(2) Bought at cafe, restaurant, hotel, fish and chip shop, sandwich bar, public house, school shop, tuck shop, cinema, etc

CONSUMED	
ON PREMISES	OFF PREMISES
1	2
1	2
1	2
1	2
1	2

Amount paid		Please leave blank
£	p	

Beer wine, spirits and other alcoholic drinks bought and consumed away from home

Cigarettes and tobacco, Newspapers, Magazines, Books, Postage

Fuel and Light (including payments into slot meters), Household goods, Cleaning materials, Furniture

Travel by rail, bus, air, taxi, Motor vehicles (purchase, petrol, oil and repairs), Cycles etc

Clothing, Clothing materials and Footwear

Any other payments made to-day, with full details, e.g domestic help, entertainment, hairdressing, holidays, toiletries

ALSO SEE PAGE 20

THIRD DAY (continued)

Please write each item on a separate line	Amount paid		Please leave blank												
	£	p													
<p>Meals, snacks and non-alcoholic drinks (including soft drinks) bought and consumed away from home Include tips and service charge</p> <p>(1) Bought at workplace, canteen, staff dining room, etc</p>															
<p>(2) Bought at cafe, restaurant, hotel, fish and chip shop, sandwich bar, public house, school shop, tuck shop, cinema, etc</p> <table border="1" data-bbox="921 488 1099 763"> <thead> <tr> <th colspan="2">CONSUMED</th> </tr> <tr> <th>ON PREMISES RING</th> <th>OFF PREMISES RING</th> </tr> </thead> <tbody> <tr> <td>1</td> <td>2</td> </tr> <tr> <td>1</td> <td>2</td> </tr> <tr> <td>1</td> <td>2</td> </tr> <tr> <td>1</td> <td>2</td> </tr> </tbody> </table>	CONSUMED		ON PREMISES RING	OFF PREMISES RING	1	2	1	2	1	2	1	2			
CONSUMED															
ON PREMISES RING	OFF PREMISES RING														
1	2														
1	2														
1	2														
1	2														
Beer, wine, spirits and other alcoholic drinks bought and consumed away from home															
Cigarettes and tobacco Newspapers, Magazines, Books, Postage															
Fuel and Light (including payments into slot meters) Household goods Cleaning materials Furniture															
Travel by rail, bus, air taxi, Motor vehicles (purchase, petrol, oil and repairs) Cycles etc															
Clothing Clothing materials and Footwear															
Any other payments made to day with full details, e.g domestic help, entertainment, hairdressing holidays toiletries															

ALSO SEE PAGE 20

FOURTH DAY (continued)

Please write each item on a separate line

Meals snacks and non-alcoholic drinks (including soft drinks) bought and consumed away from home Include tips and service charge

(1) Bought at workplace, canteen, staff dining room etc

(2) Bought at cafe, restaurant, hotel, fish and chip shop sandwich bar, public house, school shop, tuck shop, cinema, etc

CONSUMED	
ON PREMISES	OFF PREMISES
1	2
1	2
1	2
1	2

Amount paid		Please leave blank	
£	p		

Beer, wine, spirits and other alcoholic drinks bought and consumed away from home

Cigarettes and tobacco Newspapers, Magazines, Books, Postage

Fuel and Light (including payments into slot meters), Household goods Cleaning materials, Furniture

Travel by rail bus, air, taxi, Motor vehicles (purchase, petrol oil and repairs), Cycles etc

Clothing Clothing materials and Footwear

Any other payments made to-day with full details, e.g domestic help entertainment, hairdressing holidays toiletries

ALSO SEE PAGE 20

SIXTH DAY (continued)

Please write each item on a separate line

Meals, snacks and non-alcoholic drinks (including soft drinks) bought and consumed away from home Include tips and service charge
 (1) Bought at workplace, canteen, staff dining room, etc

(2) Bought at cafe, restaurant, hotel, fish and chip shop, sandwich bar, public house, school shop, tuck shop, cinema, etc

CONSUMED	
ON PREMISES	OFF PREMISES
RING	
1	2
1	2
1	2
1	2

Beer wine, spirits and other alcoholic drinks bought and consumed away from home

Cigarettes and tobacco, Newspapers, Magazines, Books, Postage

Fuel and Light (including payments into slot meters), Household goods, Cleaning materials, Furniture

Travel by rail, bus, air, taxi, Motor vehicles (purchase, petrol, oil and repairs), Cycles etc

Clothing, Clothing materials and Footwear

Any other payments made to-day, with full details, e.g. domestic help, entertainment, hairdressing, holidays, toiletries

Amount paid		Please leave blank
£	p	

ALSO SEE PAGE 20

92

1. Expenses refunded or claimed

Please give particulars below of any expenditure (eg motor car, travelling, hotel expenses) shown on pages 6-9 in this booklet which:

- (a) have already been refunded by a business or organisation; or
- (b) have already been claimed as expenses from a business or organisation; or
- (c) will definitely be claimed by you in the future as expenses from a business or organisation; or
- (d) will be entered as expenses in making your income tax return.

Date expenditure incurred	Description of business expense refunded or claimed or to be claimed from business organisation	Amount refunded or claimed		Please leave blank	
		£	p		
					2
					2
					2
					2
					2
					2

2. Football pools and other betting

Please give details of any winnings you have received during the 7 days covered by this booklet.

	Winnings in last seven days			
	£	p		
Football pools			821	3
Bookmaker, betting shop, totalisator			822	3
Lotteries			823	3
Other betting (Bingo, sweepstake, etc)			824	3

REFERENCE LIST OF IMPORTANT ITEMS OF EXPENDITURE

Of the hundreds of different things which it is possible to buy the following is only a list of examples. Please look through this list in case it reminds you of any purchase which you have forgotten to record.

Food -

Bread cakes buns biscuits chocolate biscuits flour
 Breakfast cereals rice spaghetti custard powders
 Beef veal mutton lamb pork bacon ham poultry sausages tinned meat rabbit offal (hearts liver kidney etc)
 Fresh or smoked cod haddock plaice herrings tinned salmon sardines
 Milk (fresh dried condensed)
 Margarine lard suet cooking fat
 Eggs butter cheese
 Tea coffee instant coffee cocoa
 Sugar syrup jam marmalade honey lemon curd
 Fresh dried frozen or tinned potatoes chips crisps tomatoes peas beans carrots
 Fresh dried frozen or tinned apples oranges plums pears peaches pineapples, apricots
 Bottled or tinned tomato juice grapefruit juice orange juice
 Pickle- sauces soups jellies salt pepper
 Mustard vinegar spices
 Lemonade lemon squash fruit cordials soda water
 Food for animals and pets

Take-away meals -

Fish and chips Chinese food Indian food Fried chicken Meals on wheels

Meals snacks and non-alcoholic drinks bought and consumed away from home -

Tea coffee snacks sandwiches and meals bought and consumed at work in restaurants cafes, hotels public houses, in parks in cinemas
 Ice cream soft drinks sweets and chocolate

Alcoholic drinks -

Beer ale stout wines spirits cider

Cigarettes and Tobacco, Newspapers, Magazines, Books, Postage -

Cigarettes tobacco cigarette papers cigars pipes pouches lighters lighter fuel cigarette cases
 Books newspapers magazines stationery
 Stamps postal orders poundage telegrams telephone calls

Fuel and light, Household goods, Cleaning materials, Furniture -

Coal coke gas electricity paraffin and other fuel oil firewood candles nightlights, matches
 Soap soda cleaning powders detergents polishes
 Paint distemper wallpaper
 Dustbins pails brushes brooms tools screws nails
 China glass bowls kettles saucepans
 Suites or separate articles of furniture
 Radio television sets or parts hi-fi cassettes pianos music
 Mattresses pillows sheets blankets tablecloths towels curtains tea cloths
 Carpets rugs linoleum mats floor covering
 Fires cookers vacuum cleaners refrigerators wringers washing machines spin-driers sewing machines irons
 electric lamps bulbs and fittings
 Clocks watches jewellery cutlery suit-cases handbags sports goods
 Repairs to furniture radio TV and watches

Travel -

Journeys by rail bus air taxi including fares to and from work
 Purchase repairs and running costs of cars motor cycles prams pushchairs carrycots

Clothing, Clothing materials, Footwear -

Overcoats raincoats suits costumes, skirts sports coats trousers blazers, slippers overalls aprons, dresses, blouses hats gloves
 Vests pants pyjamas shirts knickers slips corsets brassieres nightdresses socks, stockings, tights
 Dress material knitting wool thread braces ribbons scarves patterns handkerchiefs
 Boots shoes slippers sandals
 Payments to clothing clubs

Other payments -

Video rental hire of cassettes TV rental
 Home computer TV games
 Cameras photographic materials, developing and printing of films
 Flowers seeds plants garden tools, lawnmowers
 Animals and pets
 Toys games playing cards
 Shoe repairs laundry dyeing and cleaning domestic help
 Football pools and other betting Bingo etc
 Children's pocket money birthday presents money given to charities raffle tickets
 Payments to chemists doctors dentists opticians chiropodists
 Holiday expenses
 Purchase of Savings Certificates Premium Bonds etc
 House purchase and repairs
 Cinemas theatres concerts football cricket dog-racing dances
 Lipstick face powder face cream mascara perfumes talc shampoos sanitary towels, deodorant
 Shaving cream after shave hair cream razors and blades, toilet paper
 Hairdressing (including tips) sponges face cloths nail brushes
 Maintenance alimony
N B - Payment of credit card account to be entered on separate sheet provided by interviewer

NOTES

Please use the space below for any explanation of your purchases you may wish to make